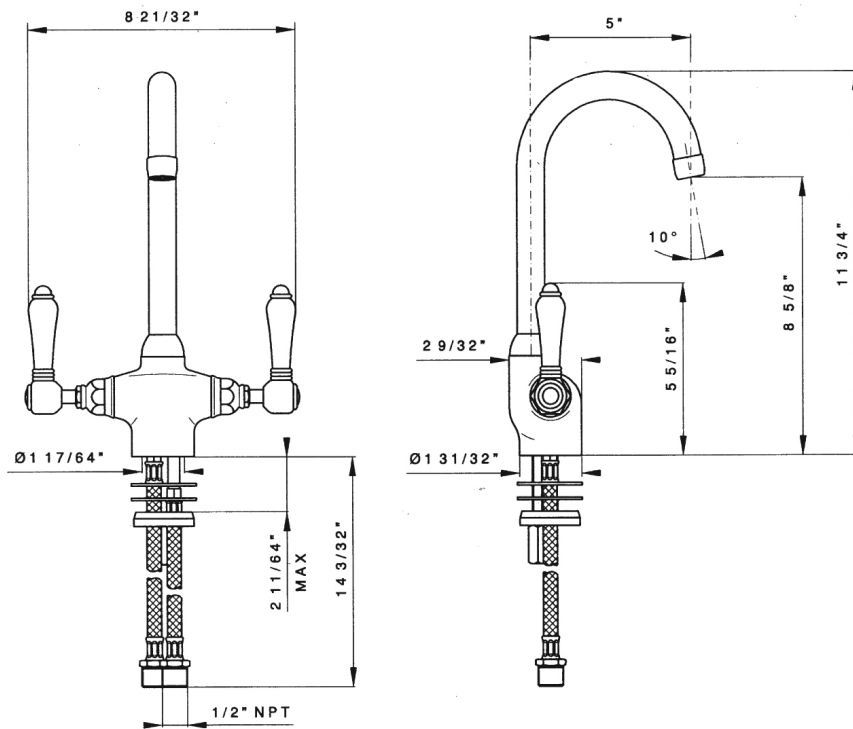


Installation Instructions

ART. A1667



Art. A1667LP-- -2

Single-hole sink mixer with C-spout 5".

Installation Instructions

ATTENTION

READ THESE INSTRUCTIONS BEFORE INSTALLATION AND USE OF ALL FAUCETS AND WALL VALVES

INSTALLATION and WARRANTY INSTRUCTIONS TECHNICAL INFORMATION

All flexible hoses are designed and manufactured for use with water in exposed locations only. **Do not expose** to household cleaners, chlorine, chloride, hydrochloric acid or other corrosive chemicals.

- All connections with threads M10x1 male must be hand tighten. **Do not over tighten. Over tightening may cause damage to the hose.**

All faucets washers and o-rings are designed and manufactured for use with water. **Do not expose** to household cleaners, chlorine, chloride, hydrochloric acid or other corrosive chemicals.

Faucets are designed for use with the temperatures and pressures listed below:

- minimum cold water supply 50 °F
- maximum hot water supply 145 °F
- minimum pressure 15 psi
- maximum pressure 75 psi
- maximum fixing torque value = 10 lbf.ft.

Please note: The recommended best pressure for best performance is between 40 psi and 60 psi. More pressure than 60 psi or less pressure than 40 psi may affect the diverting action in side spray faucets.

- Do not use any Rohl Country/ Nicolazzi faucet with sulphorous water.
- The minimum temperature for all faucets is 50 degrees F. Below 50 degrees F will void the warranty.
- When available, filter systems must be placed between hot and cold supply lines and the faucet. Improper use or non-use of filters may make diverting faucets with hand sprays perform poorly.
- Don't modify faucet and their components
- Use only original spare parts if there are replacements to be ordered.
- Installation must be made by authorized plumbers or installers. Improper installation or diagnosis of problems is not covered by the warranty.
- Yearly maintenance of cleaning and flushing is recommended.

Operation and use of any faucet or wall valve that do not conform to these technical instructions will void the warranty.

Installation Instructions

INSTALLATION FOR SINGLE HOLE/TWO LEVER FAUCETS

with two lever or cross handle design

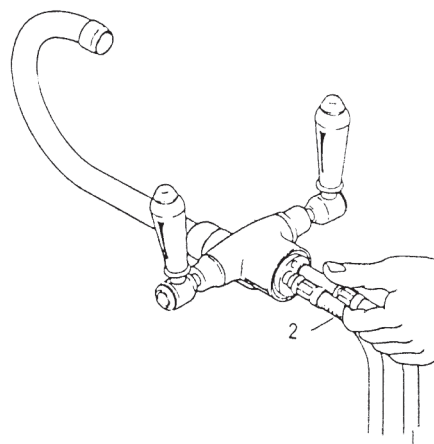
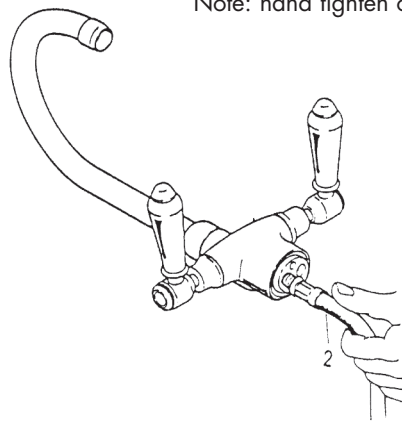
(MODELS INCLUDE: A1467, A1466, A1470, A1469

or A1680, A1679, A1667, A1676)

Model A1676 shown

1. Install the supply hoses into the body.

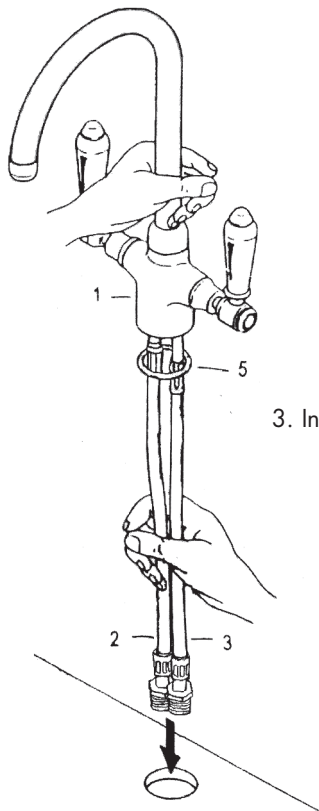
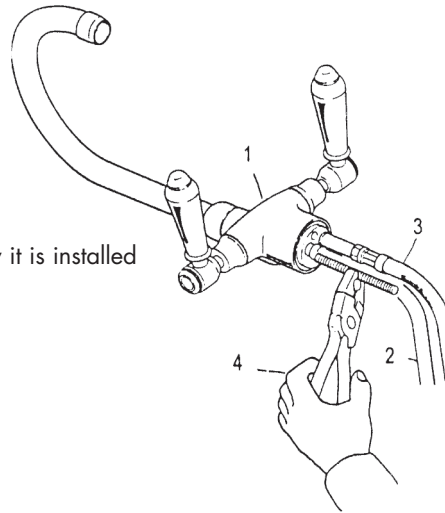
° Note: hand tighten only, do not over tighten.



Installation Instructions

INSTALLATION

2. Install mounting stud securely or verify it is installed

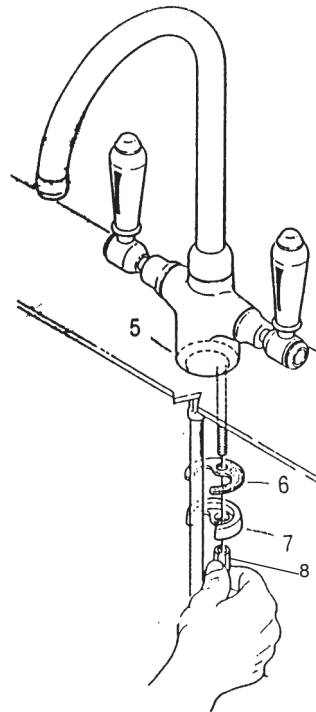


3. Insert faucet into mounting hole

Installation Instructions

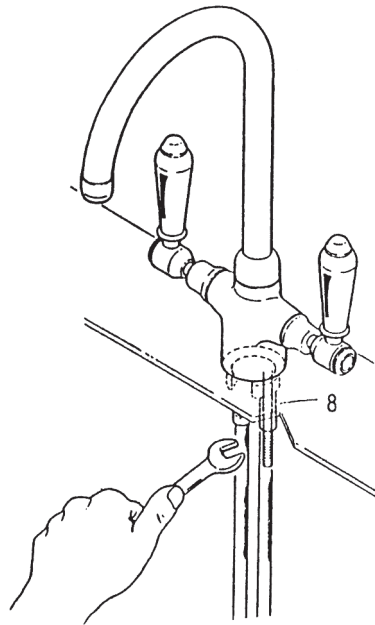
INSTALLATION

4. Under the sink, stack the half ring rubber gasket - 6, the half ring mounting plate - 7, then the mounting nut - 8 onto the stud.



5. Check the position on the sink of the faucet, then tighten the nut with a 13mm wrench.

° Note: the under deck mounting surface must be flat. If irregular, the nut may not be secured, and the faucet will be loose on the sink.



6. Connect the supply lines to the hot and cold supplies.

7. Turn on the water for the hot and cold.

Check for leaks.

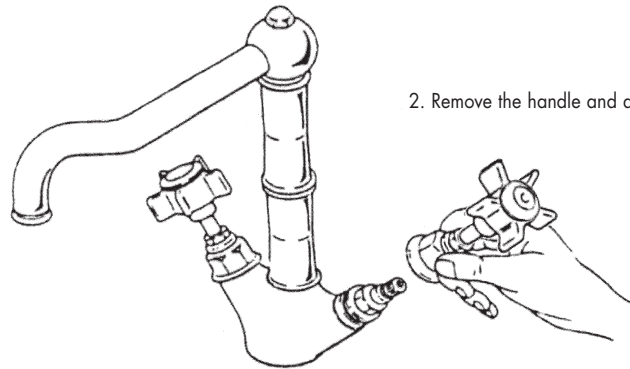
Installation Instructions

MAINTENANCE FOR SINGLE HOLE/TWO LEVER FAUCETS with two lever or cross handle design

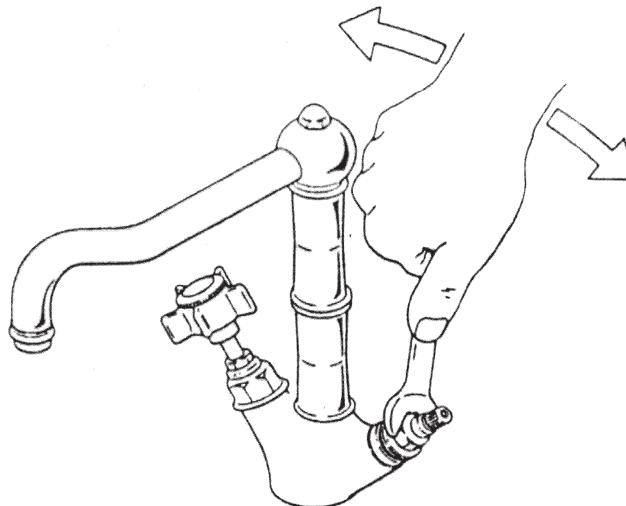
HOW TO CHANGE THE HOT OR COLD CARTRIDGE

(MODELS INCLUDE: A1467, A1466, A1470, A1469
or A1680, A1679, A1667, A1676)
(model A1469 and A1676 shown)

1. Turn off the hot and cold supply lines to the faucet. (Not shown)



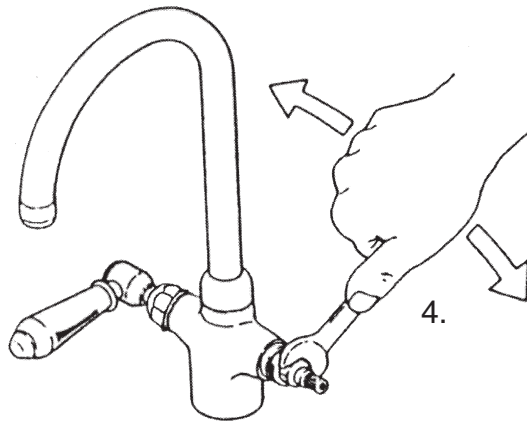
2. Remove the handle and dome.



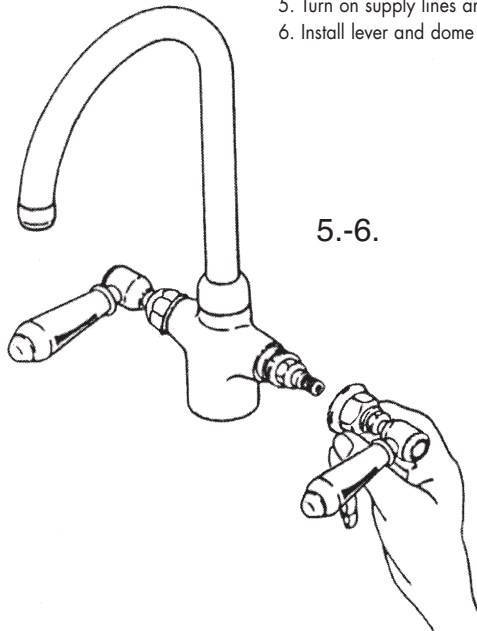
3. Remove the cartridge with a smooth jawed wrench or 17mm wrench

Installation Instructions

MAINTENANCE



4. Install new cartridge
5. Turn on supply lines and test for leaks. Not shown.
6. Install lever and dome



Installation Instructions

Care and use for finishes

Country Bath Products are all authentic finishes that have not been coated with any product.

After each use, pat the fixture down to remove any excess water. This will prevent any water spotting or mineral build-up. Use only soft liquid soap and water to clean the surface. Use a soft brush to clean any gaps. Avoid any products that have ammonia or alcohol like Windex, 409 or Fantastik. These products can damage the finish leaving black or white spots. Never use an abrasive product like Softscrub, Comet, Ajax or Bon Ami.

For deep polishing we recommend Bruno's Wax for all finishings.

Tuscan Brass is a living finish and has no warranty. It will lighten with use. To extend the life of the finish, apply Bruno's Wax by patting it on, letting it dry and patting it off. Never rub or buff this finish.

WARNING: the use of cleaning products not recommended might irreparably harm the surfaces of the faucets which in such case are not covered by our warranty.

Limescale

The faucet is fitted with an aeration device in the Hot/Cold water outlet.

This may need occasional cleaning especially in hard water areas.

This is accomplished by unscrewing the outlet in a counter clockwise direction, dismantling and leaving the inner screen mesh immersed over night in vinegar or lemon juice.

Do not use chemical descaling liquids for this purpose.