

# Installation Guide

## Contemporary Bottle Trap Drain

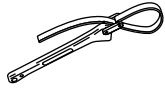
KALLISTA.

1348276-2-A

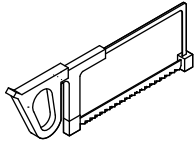
## Thank You For Choosing Kallista

We appreciate your commitment to KALLISTA quality products. Please take a moment to review this manual before you install your KALLISTA product. If you encounter any installation or performance problems, please do not hesitate to contact us at the phone number listed on the back cover.

## Tools and Materials



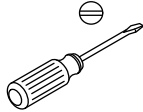
Strap Wrench



Hacksaw



Cloth



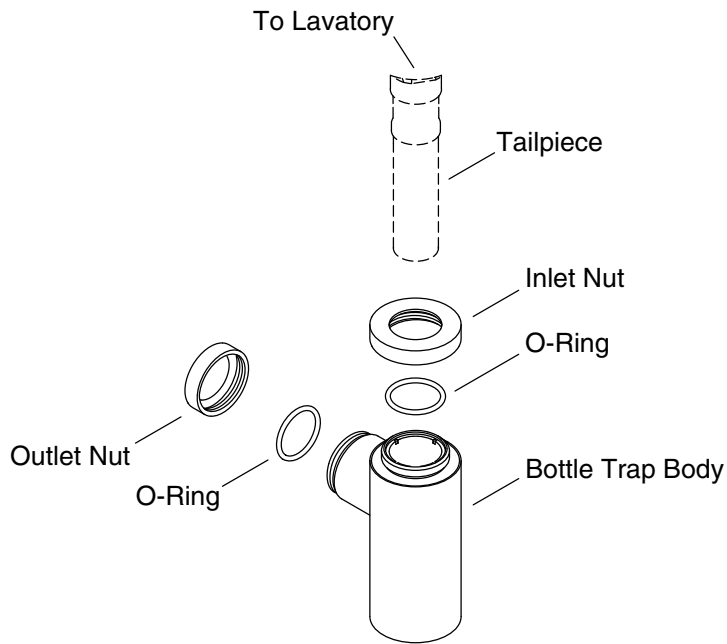
Blade Screwdriver



Tape Measure

## Before You Begin

- Observe all local plumbing and building codes.
- Turn off the water supplies.
- Kallista reserves the right to make revisions in the design of basin drains without notice, as specified in the Price Book.

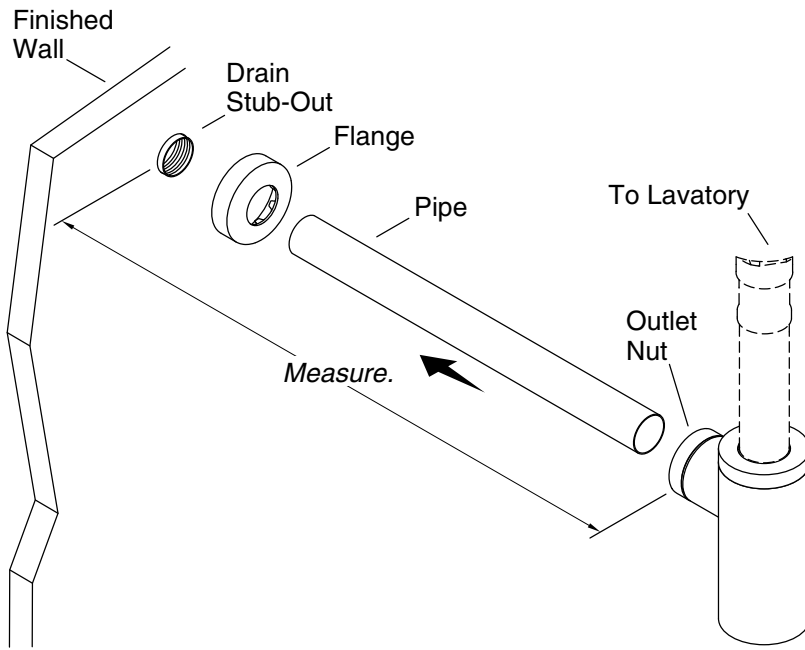


### 1. Assemble the Drain

- Install the pop-up drain to the lavatory according to the manufacturer's instructions.
- Remove the inlet and outlet nuts from the bottle trap body. Ensure that the O-ring is inside each nut.

**NOTICE:** To ensure a proper compression fit, the tailpiece must be inserted at least 1" (25 mm) inside the inlet nut.

- With the threads facing down, slide the inlet nut with O-ring onto the tailpiece.
- Place the bottle trap body around the tailpiece at least 1" (25 mm), then handtighten the inlet nut until the nut is flush against the bottle trap body. If necessary, use a clean strap wrench to assist you.



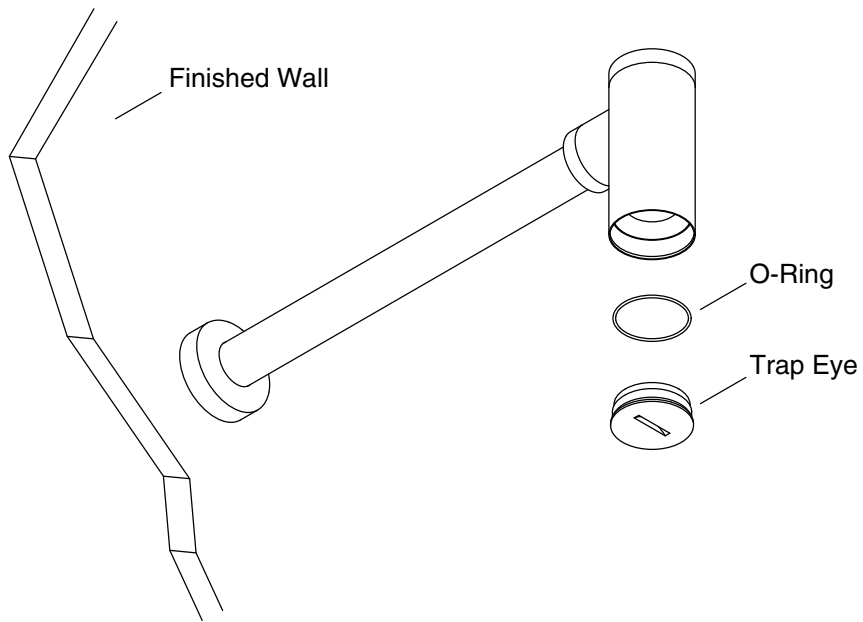
## 2. Connect the Drain Body

**NOTE:** The supplied pipe is 14-13/16" (376 mm) in length.

- Measure the length from the drain stub-out to the inner-most edge of the outlet nut. For lengths less than 14-13/16" (376 mm), cut the length of the pipe using a hacksaw. Be careful not to damage the finish.
- With the threads of the outlet nut facing toward the bottle trap body, slide the outlet nut with O-ring onto the pipe.

**NOTICE:** To ensure a proper compression fit, the pipe must be inserted at least 1" (25 mm) inside the bottle trap body.

- Insert the pipe at least 1" (25 mm) inside the bottle trap body.
- Handtighten the outlet nut until it is flush against the bottle trap body. If necessary, use a clean strap wrench to assist you.
- Slide the flange onto the free end of the pipe.
- Insert the pipe into the drain stub-out with seal (not provided), then push the flange against the finished wall.
- Turn on the water supply, run water through the drain, then check for leaks.



### 3. Remove the Debris

- Using a flat-blade screwdriver, turn the trap eye counterclockwise until fully removed from the bottle trap body. Set the trap eye with O-ring aside.
- Clean out any debris that has collected in the bottle trap body.
- Reinstall the trap eye with O-ring to the bottle trap body.

1348276-2-A

1348276-2-A

USA/Canada: 1-888-4-KALLISTA

Fax: 1-888-272-3094

[kallista.com](http://kallista.com)

KALLISTA.

©2018 KALLISTA

1348276-2-A