

## FIG. ANVIL GSV-9520AB SERIES

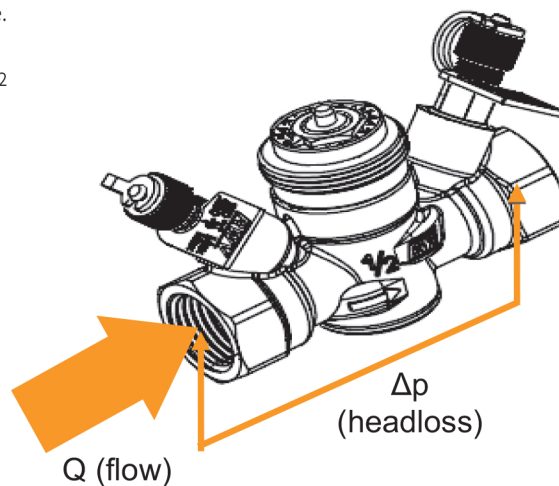
DZR Brass On/Off Terminal Low Lead Balancing Valves

### HEADLOSS CALCULATION

HEADLOSS CALCULATION				
Regulating Position	C <sub>v</sub> (GPM/psi <sup>0.5</sup> )			
	1/2" LF	1/2"	3/4"	1"
-	GPM/psi	GPM/psi	GPM/psi	GPM/psi
0.5	0.127	0.578	0.798	1.538
1.0	0.173	0.879	1.237	2.405
1.5	0.220	1.098	1.584	3.121
2.0	0.254	1.260	1.896	3.665
2.5	0.289	1.399	2.197	4.162
3.0	0.335	1.514	2.451	4.509
3.5	0.382	1.607	2.671	4.844
4.0	0.428	1.699	2.856	5.226
4.5	0.486	1.769	3.017	5.491
5.0	0.543	1.838	3.179	5.723
5.5	0.601	1.884	3.306	5.942
6.0	0.659	1.931	3.422	6.127
6.5	0.717	1.965	3.526	6.312
7.0	0.775	2.000	3.619	6.555
7.5	0.832	2.035	3.700	6.740
8.0	0.879	2.058	3.792	6.937
8.5	0.925	2.081	3.873	7.087
9.0	0.960	2.104	3.942	7.145
9.5	0.994	2.116	4.012	7.283

Formula linking flow Q (in GPM) and theoretical valve headloss (pressure drop) Δp (in psi). C<sub>v</sub> depends on regulating position as indicated in table.

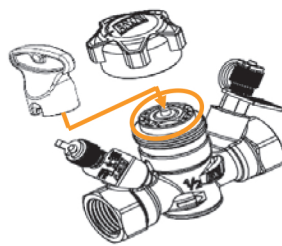
$$\Delta p = \left( \frac{Q}{C_v} \right)^2$$



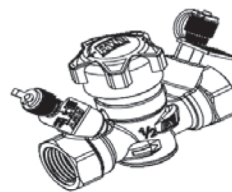
### INSTALLATION

Regulation is done by removing the ON/OFF cap and acting on regulation indicator with the provided key. Once desired regulation is obtained, screw on the cap (gently with the only aim to fix it to the valve, do not apply force!)

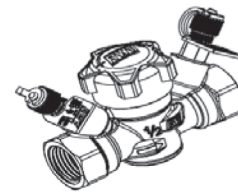
It's possible at any time to act on the ON/OFF cap to completely close the valve, independently from regulation. To do so, act on the cap screwing it on at full stroke.



Regulation

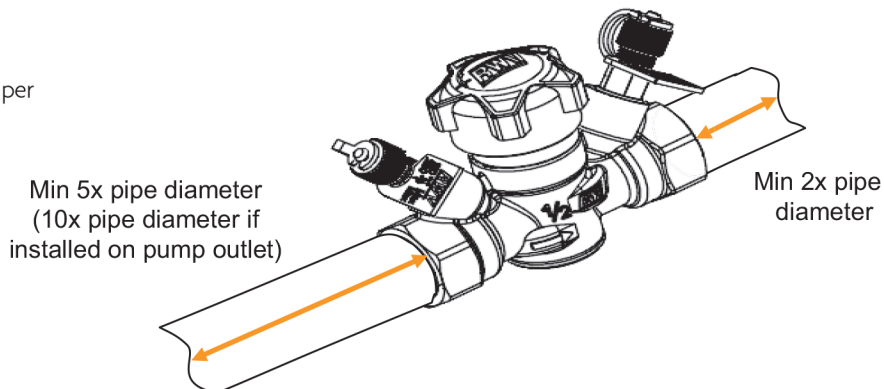


ON/OFF Cap Fixing



Valve Shut-Off

To obtain the best performances valve must be installed on a pipe with its same nominal size preceded and followed by straight pipe lengths as per figure indications.



For additional information on Gruvlok bag and tag coil kit service, contact an Anvil Representative.