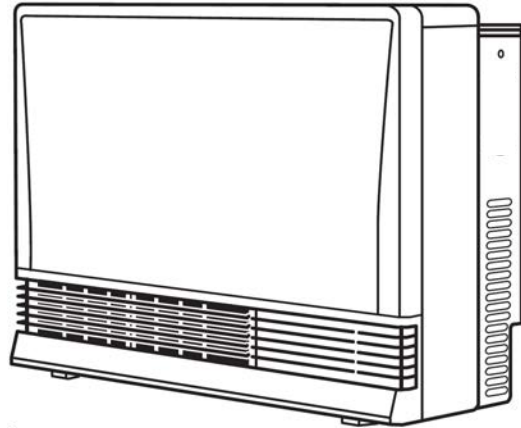


Rinnai®

Energysaver® Gas Direct Vent Wall Furnace

EX38C.....(RHFE-1005FTA)

Installer: Leave this manual with the appliance.
Consumer: Retain this manual for future reference.



⚠ WARNING If the information in these instructions is not followed exactly, a fire or explosion may result causing property damage, personal injury or death.

- Do not store or use gasoline or other flammable vapors and liquids in the vicinity of this or any other appliance.
- **WHAT TO DO IF YOU SMELL GAS**
 - Do not try to light any appliance.
 - Do not touch any electrical switch; do not use any phone in your building.
 - Immediately call your gas supplier from a neighbor's phone. Follow the gas supplier's instructions.
 - If you cannot reach your gas supplier, call the fire department.
- Installation and service must be performed by a licensed professional.

READ ALL OF THE INSTRUCTIONS THOROUGHLY BEFORE INSTALLING OR OPERATING THIS HEATER.

This manual provides information on the installation, operation, and maintenance of the heater. For proper operation and **safety**, it is important to follow the instructions and adhere to the safety precautions.

A licensed professional must install the fan convection heater according to the exact instructions within this manual.

The consumer must read the entire manual to properly operate the heater and to have regular maintenance performed.

This appliance may be installed in an aftermarket, permanently located, manufactured (mobile) home, where not prohibited by local codes.

Register your product at www.rinnaregistration.com or call 1-866-RINNAI1 (746-6241)

This appliance may be installed as an OEM installation in a manufactured home (USA only) or mobile home and must be installed in accordance with the manufacturer's instructions and the *Manufactured Home construction and Safety Standard, Title 24 CFR, Part 3280*, in the United States, or the *Mobile Home Standard, CAN/CSA Z240 MH Series*, in Canada.

This appliance may be installed in an aftermarket, permanently located, manufactured home (USA only) or mobile home, where not prohibited by local codes.

This appliance is only for use with the type of gas indicated on the rating plate. This appliance is not convertible for use with other gases, unless a certified kit is used.

Table of Contents

Consumer Safety Information

<i>Safety Definitions</i>	3
<i>Safety Behaviors and Practices</i>	3
<i>Safety Features</i>	4

Specifications

<i>Appliance Specifications</i>	4, 5
<i>Features</i>	5
<i>Flue Manifolds</i>	5

Operating Instructions

<i>Getting to Know your New Heating Appliance</i>	6
<i>Control Panel</i>	7
<i>On / Off</i>	7
<i>Child Lock</i>	7
<i>Setting the Clock</i>	8
<i>Operating the Heater Manually</i>	8
<i>Setting and Operating the Timers</i>	8
<i>Override Function</i>	9
<i>Economy (Energy Saving Mode)</i>	9
<i>Set Back</i>	10
<i>Humidifier and Air Flow Direction</i>	10
<i>Care and Maintenance</i>	11
<i>Before Making a Service Call</i>	12
<i>Fault Codes</i>	13
<i>Restart Function</i>	14
<i>Troubleshooting</i>	14

Installation Instructions

<i>General Instructions</i>	15
<i>Gas Connection</i>	16
<i>Clearances to Combustibles</i>	16
<i>Flue Terminal Clearances</i>	17, 18
<i>Dimensions</i>	19
<i>Installation Parts</i>	20
<i>Drilling Flue Hole</i>	21
<i>Attach Wall Brackets</i>	21
<i>Attach Back Spacers</i>	21
<i>Flue Manifold Installation</i>	22, 23
<i>Extension Kit Installation</i>	24-26
<i>Connecting the Appliance</i>	27
<i>Adjust Gas Pressure Settings</i>	28, 29
<i>Operating Instructions</i>	30
<i>Cut-Away Diagram</i>	31
<i>Wiring Diagram</i>	32
<i>Ladder Diagram</i>	33
<i>Parts List</i>	34-41

Consumer Support

<i>Warranty Information</i>	42
<i>Limited Warranty</i>	42, 43

State Regulations

Consumer Safety Information

Safety Definitions



This is the safety alert symbol. This symbol alerts you to potential hazards that can kill or hurt you and others.

DANGER

Indicates an imminently hazardous situation which, if not avoided, will result in death or serious injury.

WARNING

Indicates a potentially hazardous situation which, if not avoided, could result in death or serious injury.

CAUTION

Indicates a potentially hazardous situation which, if not avoided, could result in minor or moderate injury. It may also be used to alert against unsafe practices.

Safety Behavior and Practices

WARNING

- Repairs should be performed by a qualified service technician.
- Keep the area around the appliance clear and free from combustible materials, gasoline, and other flammable vapors and liquids.
- Never store liquid propane containers indoors.
- Do not use this appliance if any part has been under water. Immediately call a qualified service technician to inspect the appliance and to replace any part of the control system and any gas control which has been under water.
- This appliance is equipped with a three-prong plug for your protection against shock hazard and should be plugged directly into a properly grounded three-prong receptacle. Do not cut or remove the ground prong from this plug.
- Any alteration to the appliance or its controls can be dangerous.
- Do not operate appliance with the panels removed, cracked or broken. Replacement of the panels should be done by a licensed or qualified service person.

CAUTION

- Do not block the warm air discharge. Do not allow anyone to sleep directly in front of the appliance.
- Due to high temperatures, the appliance should be located out of traffic and away from furniture and draperies.
- Children and adults should be alerted to the hazards of high surface temperature and should stay away to avoid burns or clothing ignition.
- Young children should be carefully supervised when they are in the same room as the appliance.
- Clothing or other flammable material should not be placed on or near the appliance.
- Any safety screen or guard removed for servicing must be replaced prior to operating the appliance.
- Do not insert items into the louvers.
- Do not spray aerosols near the appliance while it is operating. Most aerosols contain butane gas which is flammable.
- Do not unplug the appliance while it is operating or while the fans are on.
- Do not use bare hands to touch the front louvers due to high temperatures which may cause burns.
- Wear hand protection when touching the side back covers, front louver, and rear intake for the convection fan.
- Prevent dust from accumulating on the power cord, side covers, and parts behind the appliance.
- Do not sit on the heater.
- Do not place containers of liquid on top of the heater. Water spillage can cause extensive damage to the appliance and may result in electric shock.

Safety Features

- **Overheat:** The appliance will automatically shut down when the appliance exceeds a predetermined temperature.
- **Flame Failure:** The appliance will automatically shut down if the burner flame is extinguished.
- **Power Failure:** The appliance will cut off the gas if it loses electrical power.
- **Power Surge Fuse:** A glass fuse on the PC board protects against overcurrent. If the fuse blows then all indicator lamps will be off.
- **Spark Detector:** The appliance automatically shuts down if there is an abnormal spark at ignition.
- **Fusible Link:** In case the overheat feature prevents the temperature from rising then the fusible link will break shutting off the appliance.

Specifications

Appliance Specifications

Application	For manufactured home (USA only) or mobile home or residential installation convertible for use with natural gas and liquefied petroleum gases (propane / LPG) when provision is made for the simple conversion from one gas to the other. For commercial setting. For installation at altitudes up to 10,200 feet (3109 m).
General Description	Forced combustion, forced convection, flued gas furnace
Operation	Push button electronic
Gas Connection	1/2 in NPT
Gas Control	Electronic
Burners	Stainless steel Bunsen burner
Temperature Control	Electronic thermostat
Ignition System	Electronic spark ignition
Flue System	The flue must be terminated to atmosphere with only flue components listed with the appliance's certification. Warranty will be voided if non listed components are installed.
Humidifier Tray	Capacity - 6.3 pints (3000 cc)
Electrical Connection	AC 120V, 60 Hz, 117 watts
Weight	88 lbs (40 kg)
Noise Level	39 - 46dB

Rinnai is continually updating and improving products. Therefore, specifications are subject to change without prior notice.

The efficiency rating of this appliance is a product thermal efficiency rating determined under continuous operating conditions and was determined independently of any installed system.

Appliance Specifications

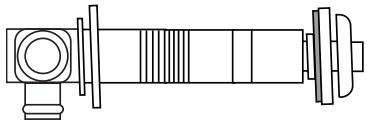
	Natural Gas	Propane Gas
Minimum supply gas pressure	3.5 in (89 mm) W.C.	8.0 in (203 mm) W.C.
Maximum supply gas pressure	10.5 in (267 mm) W.C.	13.0 in (330 mm) W.C.
BTU/hour input	Low 13,200 High 38,400	Low 13,200 High 36,500
BTU/hour output	Low 10,560 High 30,720	Low 10,560 High 29,200

Features

- Restarts automatically when ignition or combustion fails.
- Clean Heating Forced Flue Type
- Easy Operation One-Touch Ignition
- Sensible Temperature Control Feature
- Programmable Thermostat
- Warm Air Outlet at Floor Level (keeps your feet warm)
- Child Lock
- Room Temperature Setting Memory
- Clean the Air Filter - Indicator Lamp
- Energy Saving Economy Setting
- Humidifier Tray
- Air Flow Directional Louvers
- Direct Vent Easily Installed
- Proportional Heating Variable Capacity
- Hush! Quiet Operation
- Modern Design Minimizes Floor Space Requirements
- Dimmer
- Fault Code Message Display
- Temperature Settings in Fahrenheit or Celsius
- Temperature Setting in Timer Operation
- Timers 1 and 2
- Set back (setting a minimum temperature)
- 1F°(1C°) increments

Flue Manifolds

The following flue manifold sizes are available for different wall thicknesses:

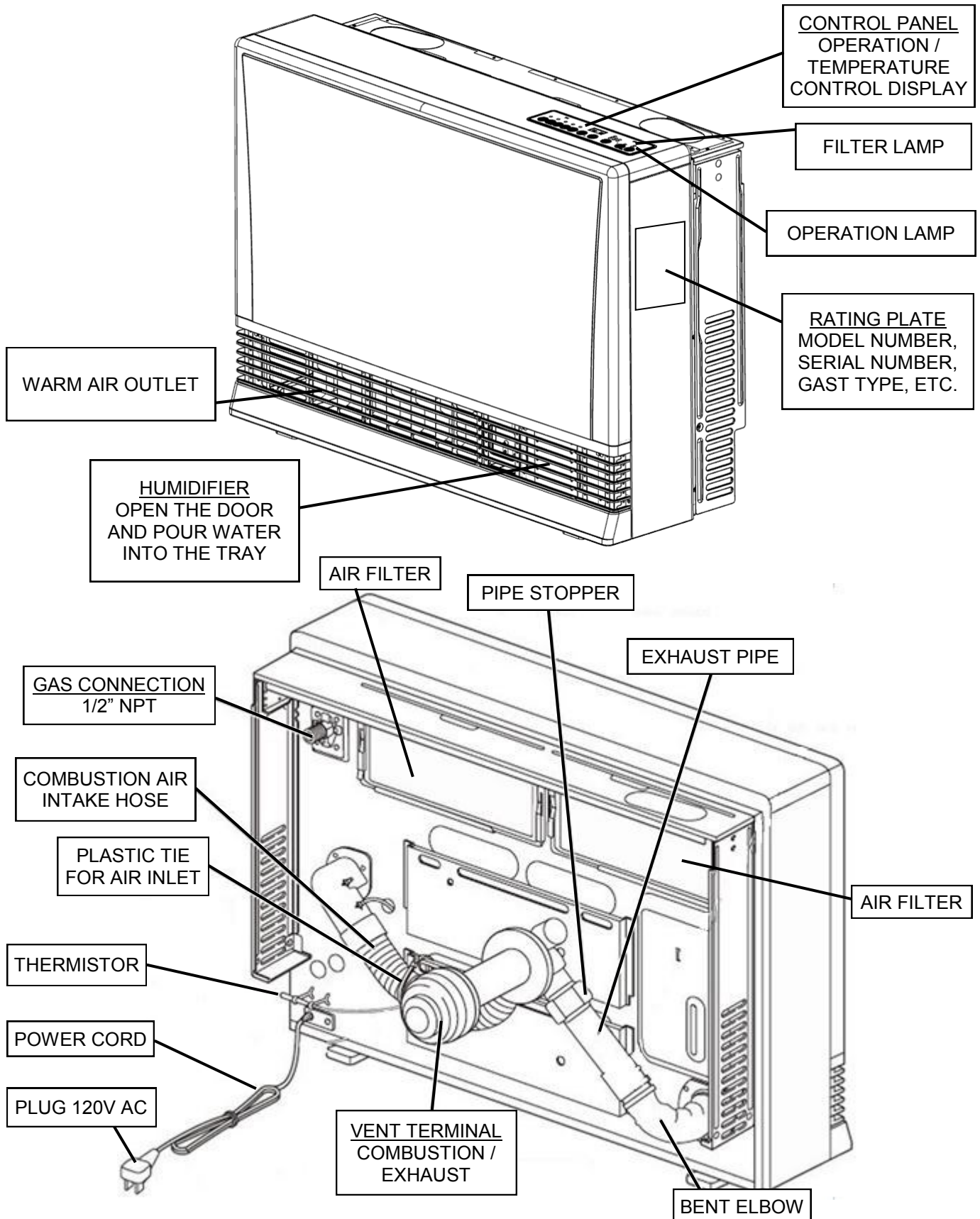


Vent A Kit is included with the appliance.

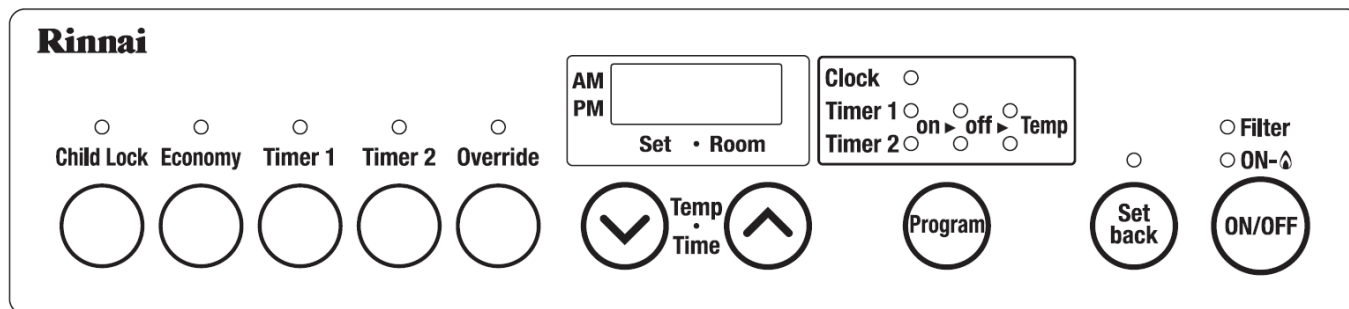
Name	Kit No.	fits walls
S Vent Kit	FOT-150	3 - 4 1/2 in (75 - 115 mm)
A Vent Kit	FOT-151	4 1/2 - 9 1/2 in (115 - 240 mm)
B Vent Kit	FOT-152	9 1/2 - 15 3/4 in (240 - 400mm)
C Vent Kit	FOT-153	15 3/4 - 23 5/8 in (400 - 600 mm)
D Vent Kit	FOT-154	23 5/8 - 31 1/2 in (600 - 800 mm)

Operating Instructions

Getting to know your New Heating Appliance



Control Panel



The sensible temperature control feature allows comfortable heating which matches the conditions in the room.

Based on the information collected by the room temperature thermistor when the heating starts, the heating capacity is automatically adjusted to achieve a

comfortable heating effect and to reach the temperature setting quickly.

Occasionally, the room temperature may briefly exceed the temperature setting due to the layout of the room or heating area.

Display

After the heater is turned on and begins operating, the display will dim. The display will turn off when the heater is turned off. While programming the timers the display will turn off for several seconds after a button is last pushed.

Fahrenheit or Celsius (Factory default is °F)

1. The heater must be turned off.
2. Press the Timer 1 and Timer 2 button at the same time for about 5 seconds. The display will show “°C” or “°F”.
3. Use the arrow keys to select the temperature scale.
4. Press the ON/OFF button.

On / Off

Press the ON/OFF button to operate the heater. The ON indicator will glow green. Once the burner ignites, the ON indicator will glow red. When the heater warms up, the convection fan will automatically start.

To turn the heater off, press the ON/OFF button. The ON indicator light will go out. The fan will continue to operate for several minutes after the burner has gone out in order to cool the heater. Do not unplug the heater while the fan is running.



Child Lock

The Child Lock will help to prevent accidental operation of the appliance and to prevent children from operating the appliance.

To activate Child Lock, press the Child Lock button. The indicator will light and a beep will sound.

To deactivate the Child Lock, press the Child Lock button and hold for about 2 seconds. The indicator light will go out and a beep will sound.

- The lock can be activated when the heater is ON or OFF.
- If activated while the heater is ON, all controls other than the OFF switch will be locked.
- If activated while the heater is OFF, then all controls will be locked.
- If the heater is turned off while the Child Lock is activated, it cannot be turned on again until the lock is deactivated.
- Deactivating the lock releases the control buttons.

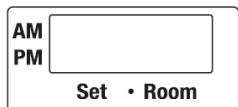
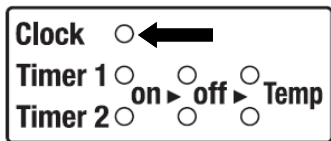


Setting the Clock

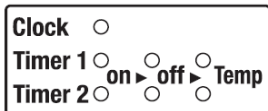
1. Press the "Program" button.



2. The light next to "Clock" should be flashing. Press the up and down arrows to set the time. Holding down either of the arrow keys will change the time more quickly.



3. Press the "Program" button until none of the time options are flashing up.



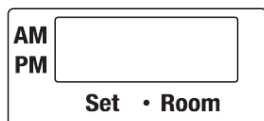
Operating the Heater Manually

1. Turn the heater on by pressing the "ON/OFF" button.

- Filter
- ON-▲



2. Press the up or down arrows to set the temperature. The left display shows the temperature setting. The right display shows the room temperature.



The thermostat automatically modulates the burner and the fan to maintain the temperature setting.

The temperature settings available are:

- LO - burner is on minimum combustion
- 60° F - 80° F in one degree increments
- HI - burner is on maximum combustion

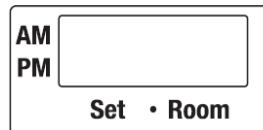
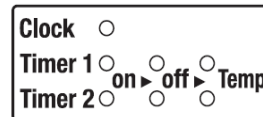
Setting and Operating the Timers

Confirm the clock is correct.

NOTE: The clock will have to be reset in case of a power failure. However the timers will retain their settings.

The heater will start before the programmed starting time in order to heat the room by the programmed starting time.

The timers can be set while the heater is on or off. To operate the timer, the heater must be on.

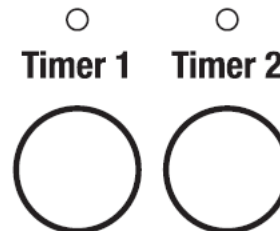


Setting the timers:

1. Press the "Program" button twice to set Timer 1.
2. The light next to "Timer 1 on" should be flashing. Press the up or down arrows to set the start time. Holding down either of the arrow keys will change the time more quickly.
3. Press the "Program" button again so that the Timer 1 off position is flashing. Press the up or down arrows to set the end time. Holding down either of the arrow keys will change the time more quickly.
4. Press the "Program" button again so that the Timer 1 Temp Position is flashing. Press the up or down arrows to set the temperature.
5. Press the "Program" button again to set the times for Timer 2. Follow the same steps above to set the start and end times.
6. Press the "Program" button until none of the time options are flashing up.

Operating the timers:

To operate the heater using a Timer, press the ON/OFF button and the appropriate Timer button. The heater will operate from the start to end times you have entered for that Timer. It will operate at the temperature setting that has been set for the heater. The timer can be set while the heater is operating.



While in standby, the timer LED will be on with a solid light. When operating the LED will be flashing.

Override Function

This function is used only when the heater is in Timer operation.

It allows you to “override” the reset timer setting until the beginning of the next Timer period.

For example, if the heater is ON, pressing the “Override” button will turn the heater OFF until the next period. If the heater is OFF, pressing the “Override” button will turn the heater ON, and allow you to select a temperature setting, until the next period. The heater will remain on until the next timer period or until the Override function is turned off.

When in override function, pressing the “Override” button will return the heater to the operation of the current timer period.



Economy (Energy Saving Mode)

The Economy mode can only be set while the heater is operating (heating). Once it is set, it will remain in the system memory until deactivated.

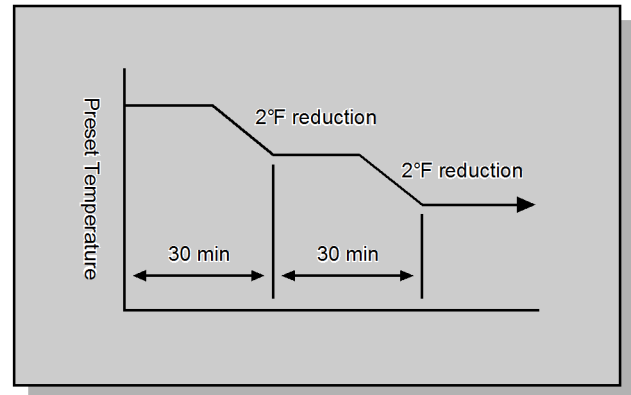
1. To turn the Economy mode on, press the “Economy” button. The Economy indicator is lit.
 - The Economy mode now remains in the system memory.
 - If the appliance is turned off manually, or stops heating as a result of an OFF timer period, the “Economy “ indicator will go out.
 - Whenever the appliance starts heating again, the “Economy” indicator will light.
2. To turn the Economy mode off, press the “Economy” button. The “Economy “ indicator will go out.
 - The Economy mode can only be turned off while the heater is operating (heating) and when the “Economy” indicator is lit.



Economy Mode Information

After the room is heated initially, the air temperature may be dropped to a lower level without affecting comfort. The Economy Mode reduces the temperature by 2 °F, 30 minutes after the room temperature setting is reached. After another 30 minutes, it reduces the temperature setting by another 2 °F, effectively saving energy. The room temperature setting will drop up to a total of 4 °F.

The Economy Mode will not operate if the heater is under capacity for the room size.



Set Back

This function allows a minimum room temperature to be pre-set, between 38°F and 78°F (in 1°F increments). This temperature should be set below the room temperature setting. The default setting is 60°F. Once the Set back function is selected the appliance will start heating whenever the room temperature falls below the selected temperature, regardless of timer or manual settings.

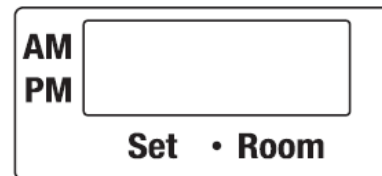
Follow these steps to set and operate the Set back feature:

1. Make sure the heater is turned OFF.
2. Press the “Set back” button. The light above the button will come on.
3. Press the up and down buttons to set the minimum temperature.

When the “Set back” indicator is on, frost protection is operating, and will always prevent the room temperature from falling below the pre-set minimum temperature (as long as electric power and gas is supplied).

To turn this feature off, press the “Set back” button.

The unit will retain its ON or OFF setting after a power failure. (Set Back feature is on by factory default.)



Humidifier and Air Flow Direction

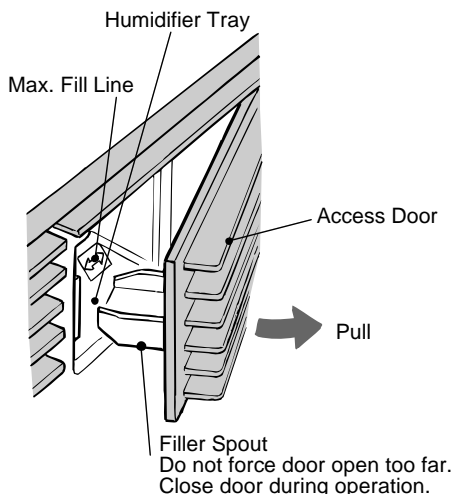
Adding Water to the Humidifier

CAUTION Do not fill the tray while the appliance is in operation. Close the door after filling. The humidifier tray and surrounding area are hot when the appliance is on.

To fill the tray, open the door as shown in the diagram and pour water into the tray using the spout built into the door. The air will be humidified as it passes over the water in the tray.

During operation a small amount of condensation is produced in the flue system and drains into the humidifier tray.

If the water overflows from the water level hole, then do not add any more water.



Adjusting Air Flow Direction

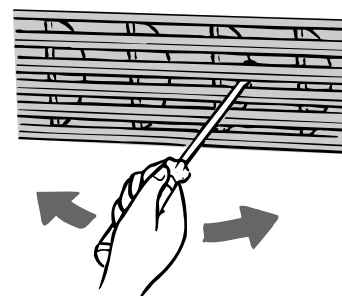
CAUTION Do not adjust the air flow louvers while warm air is flowing.

The vertical louvers may be adjusted to move the air flow more to the right or to the left.

Use a screw driver or similar object to bend each louver to the desired position.

Do not bend repeatedly (no more than 5 times) or else the louver will break.

The horizontal louvers (which determines the vertical air flow direction) are fixed and cannot be adjusted.



Care and Maintenance

Maintenance

All maintenance and service are to be performed by a qualified service technician, preferably one who has attended Rinnai service training classes on the Direct Vent products.

The appliance should be inspected annually by a qualified service technician. More frequent cleaning may be required due to excessive lint from carpeting, bedding material, etc. It is imperative that control compartments, burners, and circulating air passage ways of the appliance be kept clean.

Any screen or guard removed for servicing the appliance must be replaced prior to operating the appliance. Clean as follows:

1. Turn heat off. Allow to cool for one hour.
2. Remove the front panel by removing three screws.
3. Use pressurized air to remove dust from the main burner, heat exchanger, and fan blades.
4. Use soft dry cloth to wipe cabinet.

Do not use wet cloth or spray cleaners on the burner.

The flue should be inspected annually for blockages or damage.

Motors are permanently lubricated and do not need periodic lubrication. Keep fan and motor free of dust and dirt by cleaning annually.

Verify proper operation after servicing.

When attaching the front panel, take care not to clip or pinch any electric cords to prevent electric shock.

Care of Exterior

Dampen soft cloth with warm water. Wring water out well and wipe the unit.

Do not use volatile substances such as benzene or thinners. They cause fading of the paint and deformation of the resin.

CAUTION

Prevent dust from accumulating on the power cord, side covers, and parts behind the appliance.

CAUTION

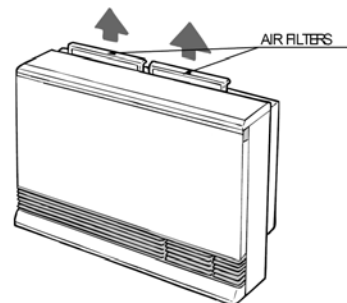
Keep the area around flue terminal free of snow and ice. The appliance will not function properly if the intake air or exhaust is impeded by obstructions.

Refer to the Flue Terminal Clearances. The clearance in Ref. A should be maintained from any snow accumulation.

Filters

Dirty filters reduce the air flow and the appliance's ability to produce heat. The filters should be cleaned frequently during the heating season. If the filters become blocked the filter indicator lamp will flash and the appliance will beep. Eventually the appliance will turn off and the Temperature Level lamp 14 will light, indicating a fault code.

To clean the filters, the appliance should be OFF and cool. Remove the filter and clean it using a soft dry cloth or vacuum. If the filter is greasy wash with warm soapy water, rinse, and dry completely.



Do not use the appliance without the filters installed.

Visual Inspection of Flame

Check that the burner flames are operating normally. The flame can be seen through the circular window.

When operating normally the burner flame should appear as long, clear, blue, stable, streaks. Yellow flames or an orange color is abnormal and maintenance is required.

NORMAL

Flame Rod

Long, clear, blue, stable flames

ABNORMAL

Flame Rod

Yellow flames or orange color

Before Making a Service Call

Before making a service call please check the following:

■ At Ignition:

Heater does not operate.	➔	Is the heater plugged in? Have the fuses or breaker blown at the fuse box / breaker panel? Is there a power failure? Is the air filter blocked? Is anything blocking the outlet for the hot air? Is the flue blocked?
Warm air does not flow when the burner lights.	➔	The fan is started automatically after a short delay. This is to allow the heat exchanger to warm up, helping to avoid cold draughts.
Smoke or strange smells are produced on the first trial light up after installation.	➔	This is caused by grease or oil and dust on the heat exchanger and will stop after a short time.
Sharp clicking noises at ignition, or when unit cuts down on the thermostat, or goes out.	➔	This is simply expansion noise from the heat exchanger.

■ During Combustion:

Clunking noise when the thermostat operates.	➔	This is the sound of the solenoid gas valves opening and closing.
Unit is not heating room.	➔	Is the air filter blocked? Is the set temperature high enough? Is the warm air outlet blocked by anything? Are the doors and windows of the room closed? Was the appliance correctly sized for the space?
Air filter is blocked or the louvers are blocked or obstructed.	➔	Allow heater to cool, clean air filter, operate again.
Heater will not re-ignite after overheating.	➔	Even after unit has cooled down, the heater does not ignite again. Repair is necessary. Contact a qualified / authorized service provider.

■ When the unit is turned off.

Convection fan continues to run after turning OFF.	➔	This is to remove the residual heat from the heat exchanger. The fan will stop when the heater cools down.
--	---	--

■ Other Points:

Steam is discharged from the flue terminal .	➔	High efficiency appliances tend to discharge water vapor on cold days. This is normal.
Unit cuts off without apparent reason.	➔	Check whether filters are blocked. Dirty filters will cause the heater to overheat.

Fault Codes

If there is a malfunction the appliance may shut down as a safety precaution and display a fault code to assist in diagnosing the problem. The fault code will flash in the display on the control panel. When making a service call, this code will assist with diagnosing the fault.

You may be able to clear the fault code by turning the heater off and then on again. If the fault code remains or returns on the next operation, contact Rinnai or your nearest service agent and arrange for a service call.

CODE DISPLAYED	FAULT	REMEDY
11 [3]	Ignition Failure	Check that gas is turned ON. Check that the vent termination is not blocked. Refer to the Restart Function explanation. Service call if repeated.
14	Overheat	Clean filter. Service call if repeated. [1]
16	Room Overheat	Lower room temperature to less than 104°F (40°C).
30	Overheat Temperature Sensor Disconnection (open circuit)	Service call.
31	Room Temperature Sensor Disconnection (open circuit)	
32	Room Temperature Sensor short circuit	
33	Overheat Temperature Sensor Disconnection (open circuit)	
34	Overheat Temperature Sensor short circuit	
35	Overheat Temperature Sensor short circuit	
49	Sensor Breakdown	
53	Sparker Failure	
61	Combustion Fan Failure	
62	Convection Fan Failure	
70	Faulty ON/OFF Switch or Faulty "Set Back" Switch	
71	Faulty Solenoids	
72	Faulty Flame Rod	
73	Communication Error	
81	Solenoid Valve Failure	Service Call
99	Flue Block	Check around the flue terminal for blockage. [2]

[1] If the fusible link needs replacement, it must be done by a qualified service agency. In addition, the cause of the overheat needs to be determined. The fusible link is a one use safety device that breaks to shut off the appliance.

[2] Remove any obstructions. The flue needs to be kept clear to expel exhaust gases. If the appliance fails to operate contact a qualified service agency.

[3] Only this code is dim.

Restart Function

If there is a power failure while the appliance is on, then the appliance will start automatically when the power is restored.

If the appliance fails to ignite, the appliance will attempt ignition after 1 hour. The “Ignition Failure” fault code, 11, will appear during that hour and disappears after a successful ignition. If ignition fails again, then the fault code will remain and another attempt to ignite will occur in 1 hour. The fault code is not stored in the fault code history.

If the flame is extinguished during forced combustion then the appliance will attempt ignition after 1 hour. The “Ignition Failure” fault code, 11, will appear during that hour and disappears after a successful ignition. Forced combustion takes place for about 40-80 seconds after ignition. After this time, the temperature control logic controls the combustion.

If the flame is extinguished (burner combustion failure) while the temperature control logic is operating the appliance, then the appliance will immediately attempt ignition. No fault code will appear.

In summary, if the ignition fails or the flame is extinguished during forced combustion then the appliance will attempt to restart after 1 hour. If the flame is extinguished after this period then the appliance will immediately attempt ignition.

Troubleshooting

Problem Cause	No ON indicator	Burner doesn't ignite	Unusual combustion	Combustion stops during operation	Smell of gas	Noisy ignition	Takes too long to warm the room	Remedy
Not Plugged In	●	●						Plug In
Power Failure	●	●		●				Push On/Off button to attempt restart after power is restored.
(Initial Installation) Air In Gas Pipe		●						Purge air (Installer)
Gas Filter Blocked		●	●				●	Service Call
Miss Ignition	●	●						Service Call
Flue terminal obstructed			●	●		●		Clear obstruction
Flue manifold not connected					●	●		Service Call
Louver obstructed				●			●	Clear obstruction
Air filter blocked				●			●	Clean filter
Gas Escape					●			Service Call
Child Lock Set		●						Cancel Child Lock
Gas turned off at meter, tank, or valve.		●						Turn gas on
ON Timer is set		●						Cancel “ON” Timer or push override button

Installation Instructions

General Instructions

WARNING

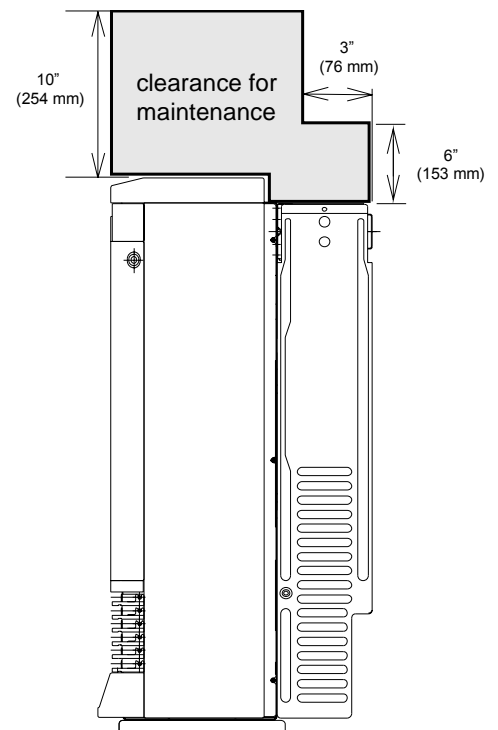
Do not use substitute materials.
Use only parts certified with the appliance.

NOTICE

If installation is at a location above 2001 ft (610 m), then follow the Adjust Gas Pressure Settings procedure.

Appliance input ratings are based on sea level operation and need not be changed for operation up to 2000 ft (610 m) elevation.

- A qualified service technician should install the appliance and inspect it before use.
- If you move, check the gas type in your new area. The local gas authority will be able to advise on local regulations.
- The installation must conform with local codes or, in the absence of local codes, with the *National Fuel Gas Code, ANSI Z223.1/NFPA 54*, or the *Natural Gas and Propane Installation Code, CSA B149.1*.
- A manufactured home (USA only) or mobile home OEM installation must conform with the *Manufactured Home Construction and Safety Standard, Title 24 CFR, Part 3280*, or, when such a standard is not applicable, the standard for *Manufactured Home Installations, ANSI Z225.1*, or the standard for *Gas Equipped Recreational Vehicles and Mobile Housing, CSA Z240.4*.
- The appliance, when installed, must be electrically grounded in accordance with local codes or, in the absence of local codes, with the *National Electrical Code, ANSI/NFPA 70*, or the *Canadian Electrical Code, CSA C22.1*.
- The appliance and its appliance main gas valve must be disconnected from the gas supply piping system during any pressure testing of that system at test pressures in excess of 1/2 psi (3.5 kPa).
- The appliance must be isolated from the gas supply piping system by closing its equipment shutoff valve during any pressure testing of the gas supply piping system at test pressures equal to or less than 1/2 psi (3.5 kPa).
- If the flooring is carpet, tile, or other combustible material other than wood, then the appliance must be installed on a metal or wood panel extending the full width and depth of the appliance.
- This appliance discharges a large volume of warm air next to the floor. Any particles in the air such as cigarette smoke could cause discoloration in nylon carpets containing dyes or vinyl surfaces.
- This appliance is not designed to be built in.
- This appliance is only for use with the type of gas indicated on the rating plate. This appliance is not convertible for use with other gases unless a certified kit is used. If conversion of the unit is needed, conversions must be performed by a qualified service provider at the owner's expense.
- This appliance must not be connected to a chimney flue serving a separate solid-fuel burning appliance.
- Rinnai suggests that a dedicated electrical circuit with a 120VAC, 60 Hz, 10 amp power source be used.
- A test plug are provided for testing of manifold differential pressure. It is located on the modulating gas valve.
- The appliance should be correctly sized for the space it is required to heat. It is recommended that an Industry standard BTU Heat Loss Calculation be conducted to determine the proper sizing.
- Follow the installations instructions and those in *Care and Maintenance* for adequate combustion and ventilation air.
- The flow of combustion and ventilation air shall not be obstructed.
- Clearances to access the appliance during servicing are 10 inches (254 mm) from the sides, 40 inches (1 m) from the front, and the area shown above the appliance in the picture.



Gas Connection

WARNING

When connecting the gas valve or other gas components in the gas line, use a backup wrench to ensure the connection is gas tight.

- The gas supply line shall be gas tight, sized and so installed as to provide a supply of a gas sufficient to meet the maximum demand of the heater without loss of pressure.
- A shut off valve and appliance connector valve should be installed in the upstream of the gas line to permit servicing.
- Flexible pipe and any appliance connector valve used for gas piping shall be types approved by nationally recognized agencies.
- Any compound used on the threaded joint of the gas piping shall be a type which resists the action of liquefied petroleum gas (propane / LPG).
- After completion of gas pipe connections all joints including the heater must be checked for gas tightness by means of leak detector solution, soap and water, or an equivalent nonflammable solution, as applicable. (Since some leak test solutions, including soap and water, may cause corrosion or stress cracking, the piping shall be rinsed with water after testing, unless it has been determined that the leak test solution is non-corrosive.)
- Check the gas supply pressure immediately upstream at a location provided by the gas company. Supplied gas pressure must be within the limits shown in the Specifications section.
- Refer to an approved pipe sizing chart if in doubt about the size of the gas line.
- Install manual gas cut-off valve so that it can be accessed for easy operation. Do not conceal manual cut-off valve behind back spacer.

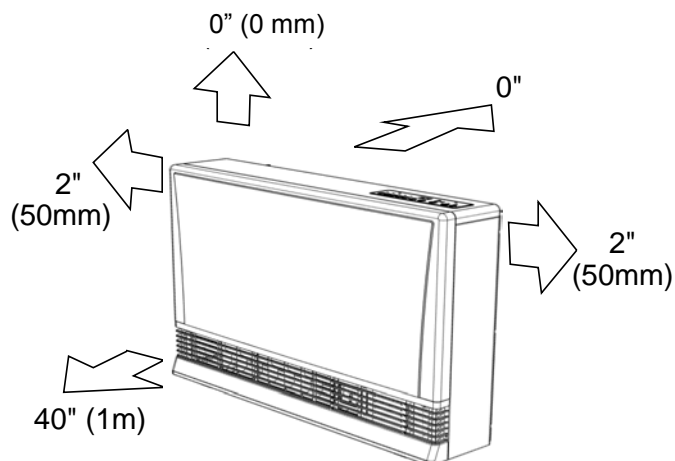
Clearances to Combustibles

When determining where to install the appliance the clearances to combustibles shown in the figure must be followed. Also refer to the Safety Behaviors and Practices section.

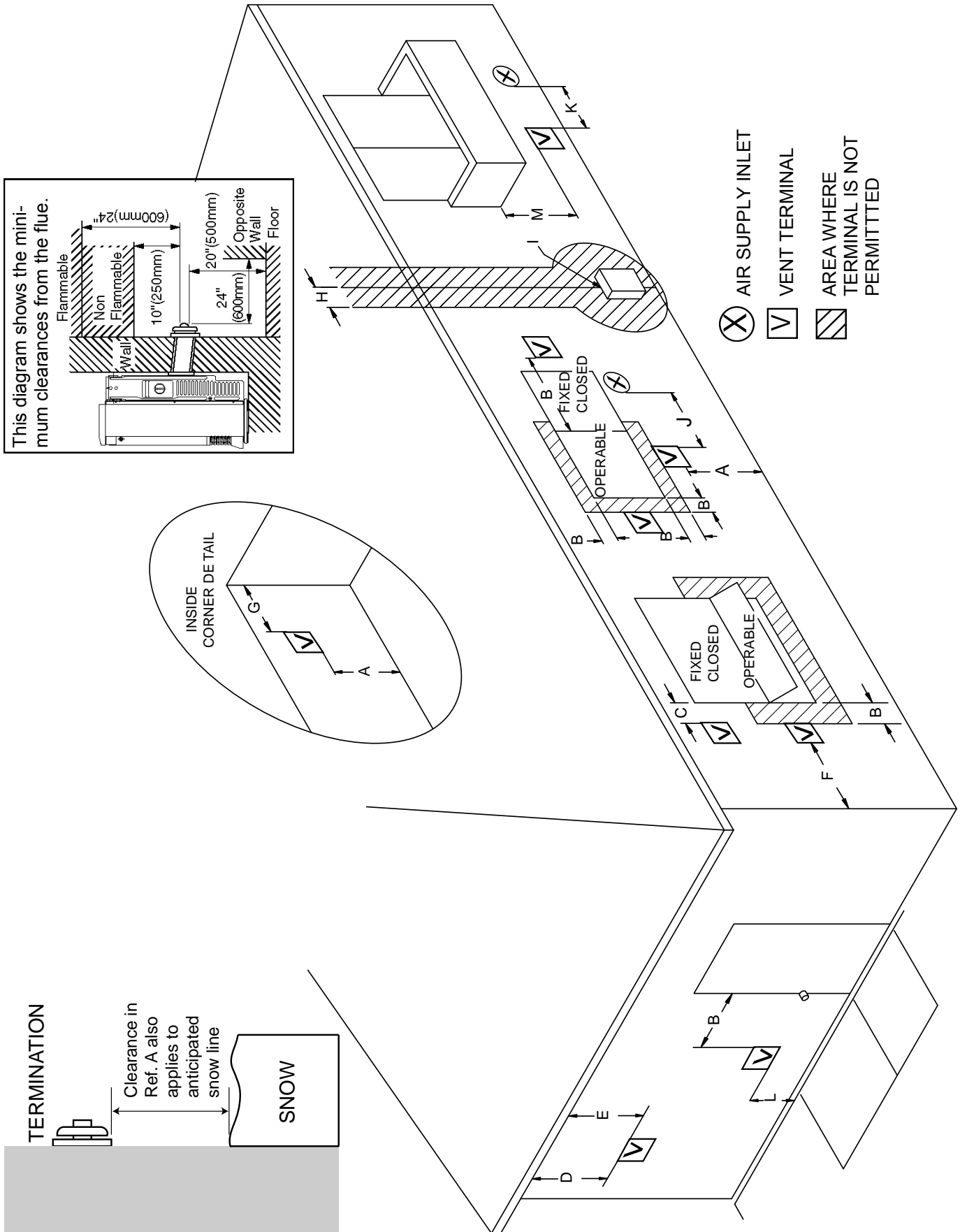
Rinnai recommends 10" (254 mm) clearance from the top and on both sides for servicing.

NOTICE

The 40 inch (1 meter) clearance from the front of the appliance does not include flooring material or carpeting that is less than 1.2 inches (30 mm) in height.



Flue Terminal Clearances



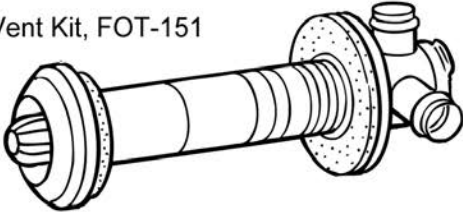

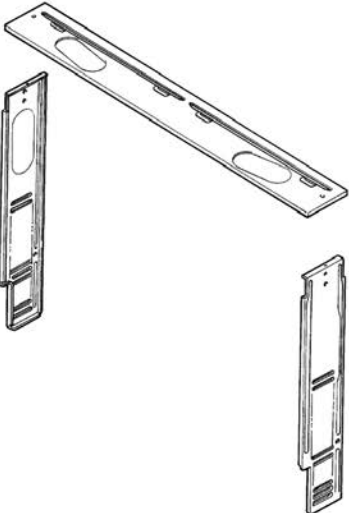





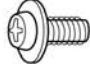


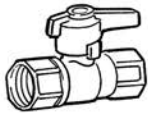
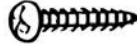
Flue Terminal Clearances

Ref	Description	Canadian Installations	US Installations
A	Clearance above grade, veranda, porch, deck, or balcony. (Take into account the anticipated snow line)	12 inches (30 cm)	12 inches (30 cm)
B	Clearance to window or door that may be opened	12 inches (30 cm)	9 inches (23 cm)
C	Clearance to permanently closed window	*	*
D	Vertical clearance to ventilated soffit, located above the terminal within a horizontal distance of 2 feet (61 cm) from the center line of the terminal	*	*
E	Clearance to unventilated soffit	*	*
F	Clearance to outside corner	*	*
G	Clearance to inside corner	20 inches (50 cm)	20 inches (50 cm)
H	Clearance to each side of center line extended above meter/regulator assembly	3 feet (91 cm) within a height 15 feet (4.5 m) above the meter/regulator assembly	*
I	Clearance to service regulator vent outlet	3 feet (91 cm)	*
J	Clearance to nonmechanical air supply inlet to building or the combustion air inlet to any other appliance	12 inches (30 cm)	9 inches (23 cm)
K	Clearance to a mechanical air supply inlet	6 feet (1.83 m)	3 feet (91 cm) above if within 10 feet (3 m) horizontally
L	Clearance above paved sidewalk or paved driveway located on public property	7 feet (2.13 m) ①	*
M	Clearance under veranda, porch, deck, or balcony	12 inches (30 cm) to non-flammables ② 24 inches (60 cm) to flammables ②	12 inches (30 cm) to non-flammables ② 24 inches (60 cm) to flammables ②

- ① A vent shall not terminate directly above a sidewalk or paved driveway that is located between two single family dwellings and serves both dwellings.
- ② Permitted only if veranda, porch, deck, or balcony is fully open on a minimum of two sides beneath the floor.
- * For clearances not specified in *ANSI Z223.1/NFPA 54* or *CSA B149.1*, clearances are in accordance with local installation codes and the requirements of the gas supplier.

Installation Parts

The following items are included with the appliance:

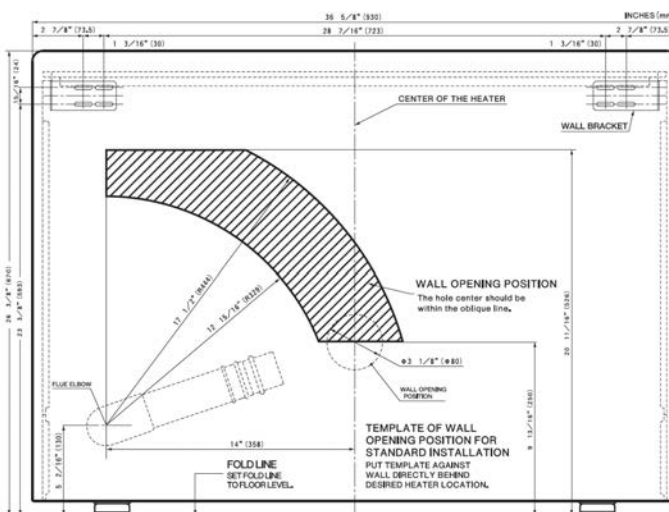
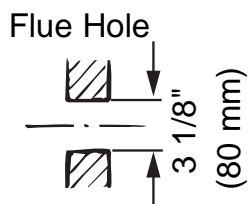
<p>Flue Manifold1</p> <p>"A" Vent Kit, FOT-151</p> 		<p>Spare rubber seal.....1 (‘A’ Flue units only)</p>  <p>(For weatherboard installations)</p>		
<p>Back Spacer Set</p> 	<p>1</p>	<p>Wall Brackets</p> 	<p>2</p>	
		<p>Insulation Clip</p> 	<p>1</p>	
		<p>Plastic tie for air inlet</p> 	<p>1</p>	
		<p>(M4)</p>  <p>For Back Spacer Set</p>	<p>7</p>	
<p>Flue adaptor (Attached to unit)</p> 	<p>1</p>	<p>(M5)</p>  <p>For Wall Brackets</p>	<p>4</p>	
<p>Pipe stopper A&S</p> 	<p>2</p>	<p>(M4)</p>  <p>For Flue Manifold</p>	<p>3</p>	
<p>Manual Valve</p> 	<p>1</p>	<p>(M4.8× 32) Wood Screws</p>  <p>Wall Bracket Screws</p>	<p>7</p>	
<p>Owner’s Manual</p>		<p>1</p>	<p>Template (on box)</p>	<p>1</p>

Drilling Flue Hole

Ensure that there are no gas or water lines, or electrical circuits in the wall location where the flue hole is to be drilled.

Drill the flue hole using a 3 1/8 inch (80 mm) drill. A template is provided on the appliance carton/box. The center of the hole must be located anywhere within the shaded area, unless extension kits are used. See the dimensions diagram.

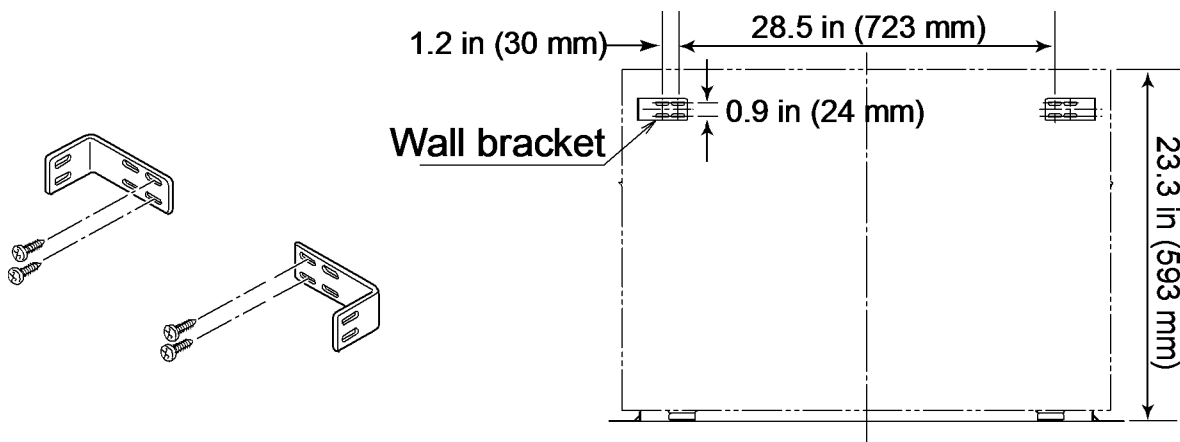
For weatherboard walls, drill through the center of the weatherboard from the outside first and then through the plasterboard.



Template is on the appliance carton/box.

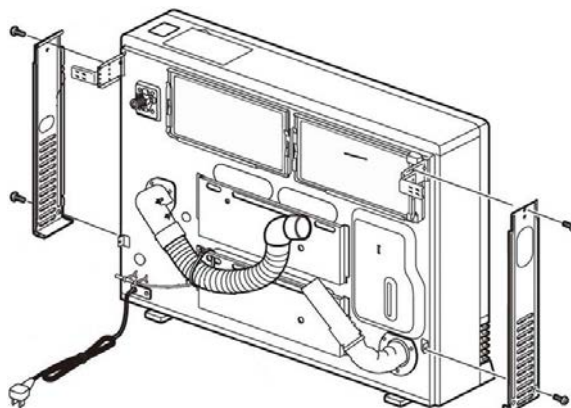
Attach Wall Brackets

Attach the wall brackets as shown. A template is provided.



Attach Back Spacers

Attach side back spacers to both sides of the appliance with 2 screws each.



Flue Manifold Installation

- The flue manifold must exhaust to the outside. Do not exhaust into other rooms.
- The flue manifold is not designed to be positioned under floors or below the heater.
- The termination cannot be vertical.
- This appliance can only be used with one of the five types of Rinnai flue kits. The flue kits and their dimensions are listed on the previous page.
- Refer to the Flue Terminal Clearances section.

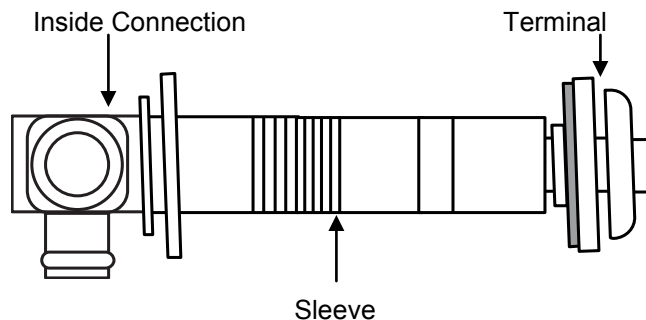
1. Disassemble the flue manifold

The flue consists of 3 parts:

- sleeve
- inside connection
- outside terminal

Disassemble the flue manifold by first pulling out the inside connection. To remove the outer terminal pull and release the two internal ties and then pull out the outer terminal.

Clearance to combustibles for the sleeve and flanges is zero inches.



2. Adjust the sleeve length

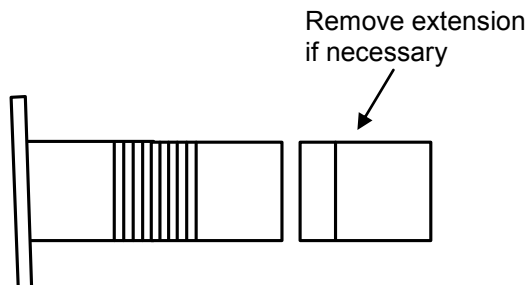
Measure wall thickness through previously drilled 3 1/8 inch (80 mm) hole.

The end of the sleeve should protrude 3/16 - 3/8 inch (5-10 mm) from the outside wall.

The sleeve is threaded for adjustment. Adjust the sleeve length to wall thickness plus 3/16 - 3/8 inch (5-10 mm).

NOTE: Do not extend beyond the red line.

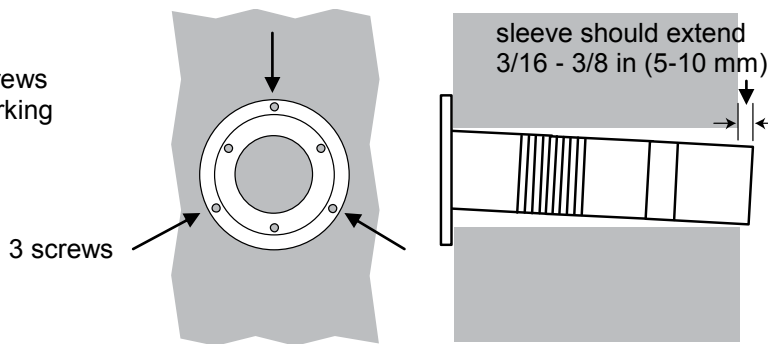
For other than the "S" type flue manifold, if a shorter length is necessary an extension can be removed. Cut the plastic and remove the extension.



3. Attach the sleeve

Attach to the inside wall using 3 screws arranging the flange so that the marking "TOP" is at the top.

The flange is offset 2° to allow the condensate drain to the outside.

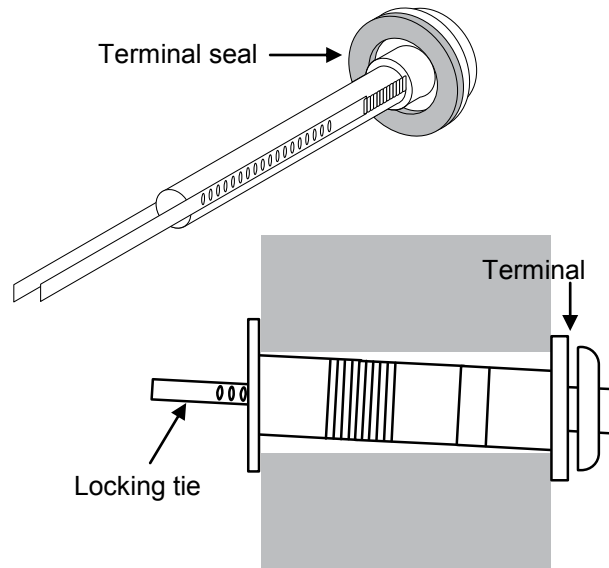


Flue Manifold Installation

4. Install the Terminal

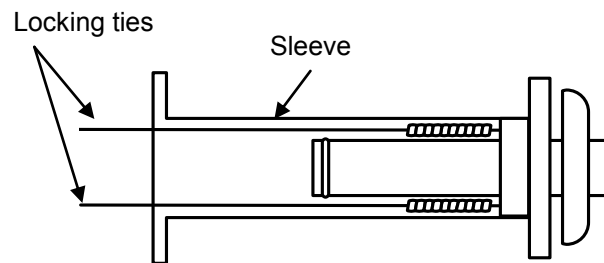
Check that the terminal seal is in place. For weatherboard walls, add the second seal next to the terminal seal to compensate for weather board angle.

From the outside insert the terminal into the sleeve with the marking "TOP" at the top. The left hand side locking tie should be marked "LEFT".



6. Lock the ties

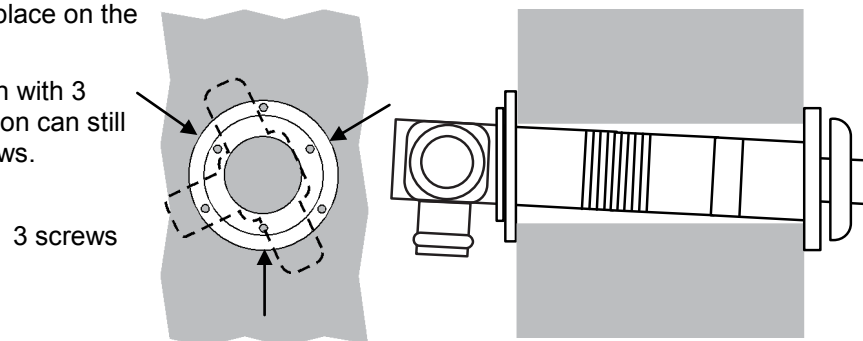
Pulling hard on the left and right hand ties, clip the ties over the notches inside the sleeve. You should be able to pull the ties 2 or 3 notches past the starting point. Cut the ties, leaving about 3/4 inch (20 mm) past the notch. Bend the ties back into the sleeve and parallel to the wall.



7. Insert Inside Connection Assembly

Push the assembly into the terminal tube, ensuring that the seal is in place on the inner tube.

Attach the inside connection with 3 screws. The inner connection can still be turned to install the screws.

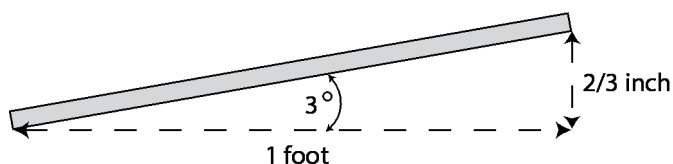


Extension Kit Installation

If necessary, extension kits are available to extend the exhaust line and air intake hose between the manifold and the appliance. The maximum vent length is 13 feet (4 m) with 2 bends. The bent pipe attached to the appliance does not count toward the max limit of 2 bends.

Horizontal sections should be sloped 3° to drain condensate. (3° equals 2/3 inch drop per foot of vent.) The direction should be to the outside (if local codes allow) or toward the appliance. Do not allow any low points in the exhaust line where condensate will collect.

Vent extensions installed in unconditioned air space



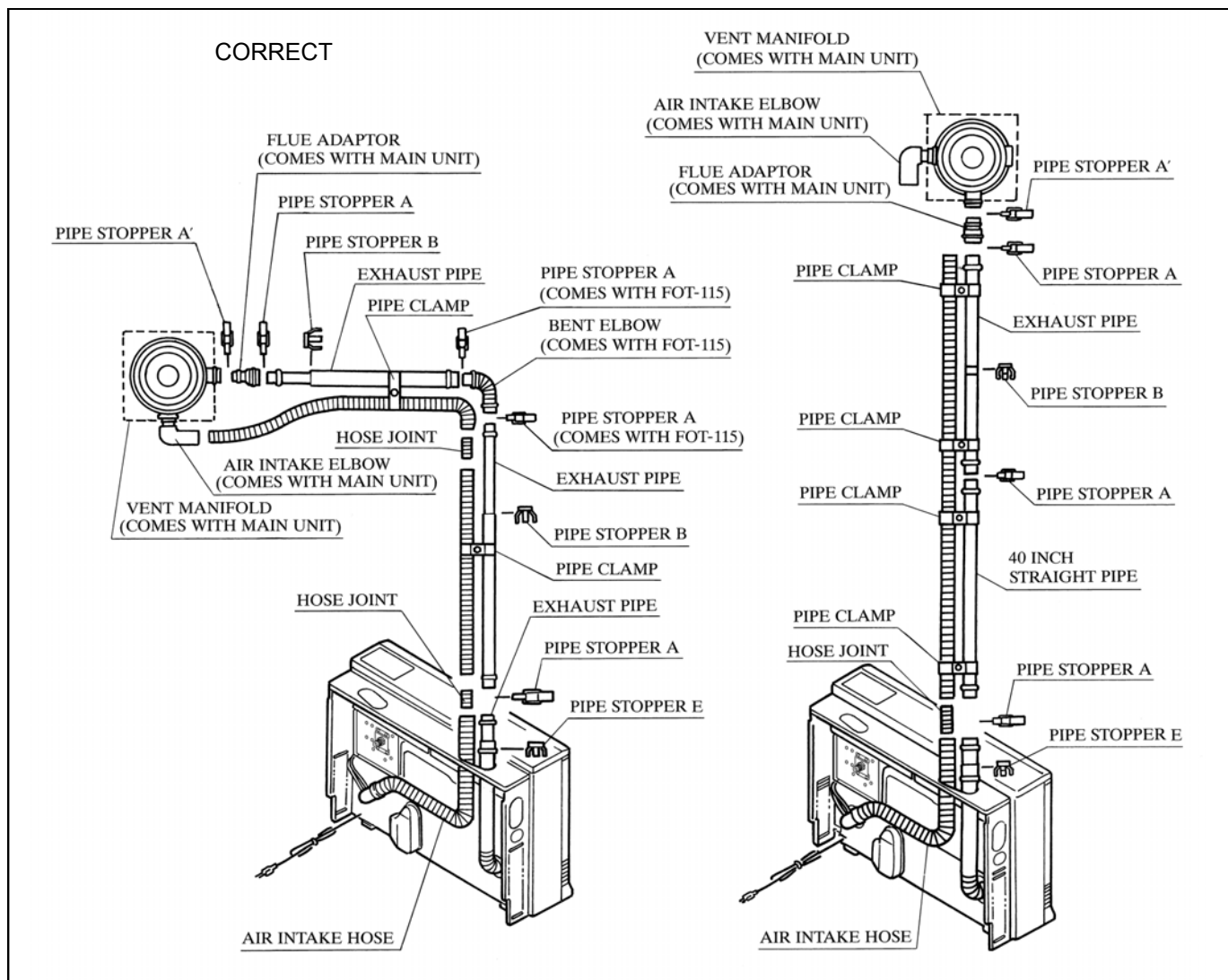
Slope horizontal sections 3° (2/3 inch drop per foot of vent.)

must be insulated with high temperature insulation and must be accessible.

Vent extensions must not be concealed per NFPA 54 and must be accessible allowing inspection and repair. Decorative covers are available from Rinnai.

NOTE
The EX38C is capable of two vent length settings: Short Vent: 0 - 7ft + 1 elbow Long Vent: 7ft + 1 elbow - 13ft + 2 elbows

<p>INCORRECT</p> <ul style="list-style-type: none"> • Too many bends (limit is 2) • Air intake hose is above exhaust pipe 	
--	--



Extension Kit Installation

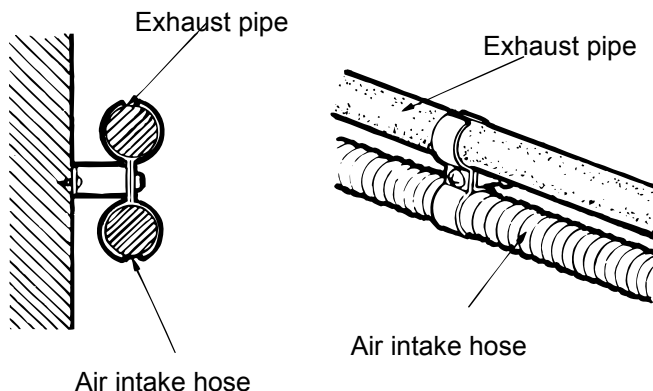
CAUTION Use the pipe stoppers, connectors, clamps, and screws according to these instructions in order to ensure no leakage of exhaust gases.

Clearances	exhaust pipe to combustibles	1 inch (25.4 mm)
	exhaust pipe to non-combustibles	zero

Clamps

Both the exhaust line and air intake hose are supported by clamps which are attached to the wall. A wall fixture can be used to offset the clamp from the wall. Use Screw B to attach the wall fixture to the wall. If the wall fixture is not used then use Screw A and the nut to attach the clamp to the wall.

The air intake hose should always be underneath the exhaust line so that in case the air intake hose sags it will not come into contact with the exhaust line.



Installing the Exhaust Line

The exhaust line is connected between the bent pipe at the rear of the heater and the exhaust port on the flue manifold.

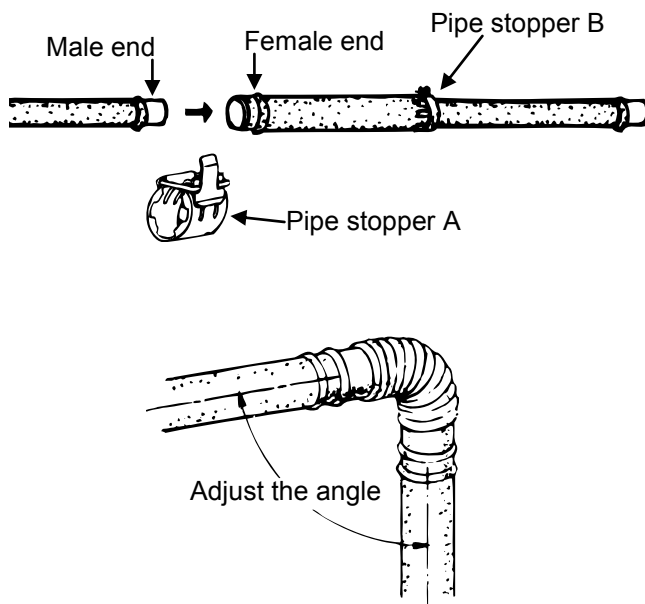
To connect exhaust pipes with other straight pipes or bends, fit the male end into the female end. Use pipe stopper A to clamp the connection.

Use pipe stopper B to fix the length on the adjustable exhaust pipes. Do not extend these pipes beyond the red line.

Do not cut the exhaust pipe. Use the adjustable pipes if necessary.

To bend the elbow, insert exhaust pipes into both ends for additional leverage. Bend to desired angle.

Do not straighten the bent pipe attached to the appliance.



Connecting the Air Intake Hose

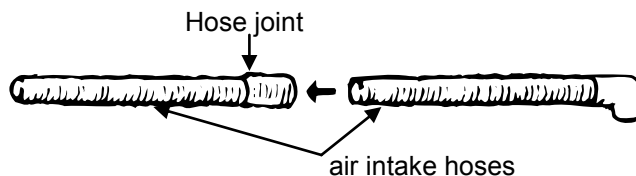
The air intake hose is connected between the air connection at the rear of the heater and the air intake port on the flue manifold.

Push the air intake hose onto the flue manifold and secure with the plastic cable tie.

Join air intake hoses by screwing the hose joint half of its length into the air intake hose and then screwing another air intake hose into the hose joint.

The lengths of the air intake hose and the exhaust pipe must be the same in order for the appliance to operate properly. The hose can be cut to the required length. Deburr all rough edges. Do not cut the hose attached to the appliance.

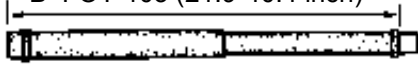
Support the air intake hose with pipe clamps.



NOTICE Do not cut the intake hose. Cutting the intake hose may result in noise.

Extension Kit Installation

A FOT-102 (12.2-21.1 inch)
B FOT-103 (21.9-40.4 inch)



① EXHAUST PIPE

Extension Kits and Parts



⑥ PIPE STOPPER A



⑨ PIPE CLAMP



⑫ SCREW A



② EXHAUST PIPE (STRAIGHT) 40 inch



⑦ PIPE STOPPER B

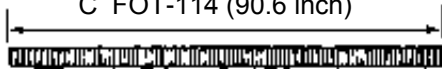


⑩ WALL-FIXTURE



⑬ SCREW B

A FOT-102 (21.1 inch)
B FOT-103 (51.2 inch)
C FOT-114 (90.6 inch)



③ AIR INTAKE HOSE



⑧ TOP STOPPER



⑪ NUT



④ BENT ELBOW

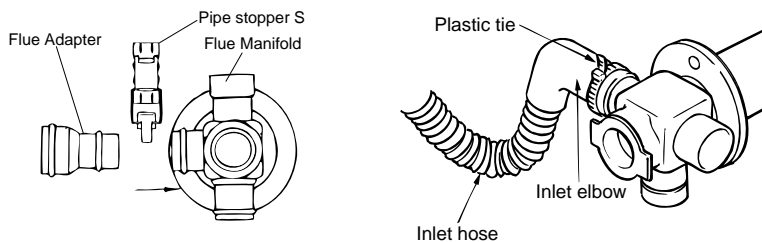


⑤ HOSE JOINT

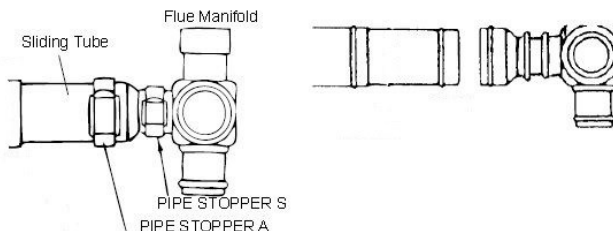
Item	Description	Part No.	FOT-102	FOT-103	FOT-114	FOT-115
1	Exhaust Pipe (adjustable) 12.2-21.1 in (311-536 mm)	FOT 111-1	1			
1	Exhaust Pipe (adjustable) 21.9-40.4 in (556-1026 mm)	FOT 112-1		1	1	
2	Exhaust Pipe - 39.4 in (1000 mm)	FOT 114-3			1	
3	Air Intake Hose - 29.5 in (750 mm)	RHF 1000-130-e	1			
3	Air Intake Hose - 51.2 in (1.3 m)	RHF 1000-130-b		1		
3	Air Intake Hose - 90.6 in (2.3 m)	RHF 1000-130-f			1	
4	Bent Elbow	FOT 025-4				1
5	Hose Joint	RFOT 226-001	1	1	1	
6	Pipe Stopper A	1001F-250	1	1	2	2
7	Pipe Stopper B	FOT 111-6	1	1	1	
8	Top Stopper	FOT 062-7	1	1	1	
9	Pipe Clamp	FOT 064-11	2 sets	3 sets	4 sets	
10	Wall Fixture	FOT 064-12	2	3	4	
11	Nut	FOT 062-10	2	3	4	
12	Screw A	ZAA0420SC	2	3	4	
13	Screw B	CP-30408	4	6	8	

Connecting the Appliance

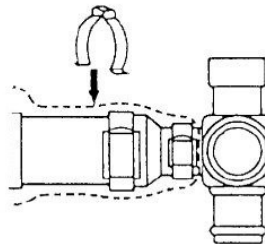
1. Attach flue adapter to the flue manifold with pipe stopper S.
2. Attach the air inlet hose to the flue manifold. Secure with plastic tie. The unused inlet is plugged with the rubber cap supplied on the manifold.



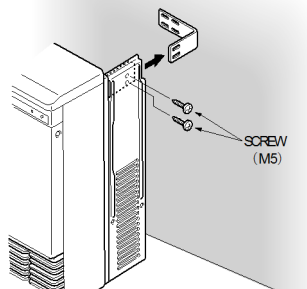
3. Connect the vent sliding tube with pipe stopper S and E. The sliding tube should not be extended beyond the red line. The red line should not be visible after sliding the tube into the vent outlet.



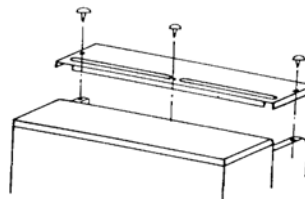
4. Slide the insulation sleeve up to the flue manifold and slip the securing clip over the sleeve as shown.



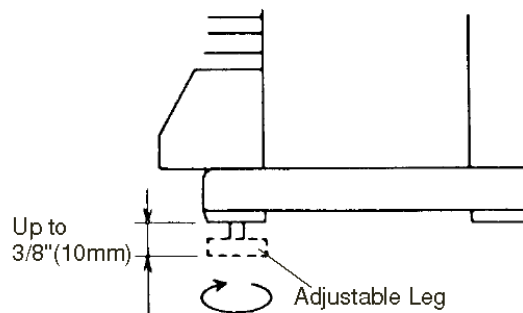
5. Attach the appliance to the wall brackets, using 2 screws at each bracket.



6. Attach the back spacer with 3 screws to the top of the appliance.



7. If necessary, the appliance can be leveled using the adjustable legs under the front right and left legs.



Adjust Gas Pressure Settings

Complete these instructions for altitude and vent length. (Default altitude: 0ft - 2,000ft. Default vent length: 0 - 7ft+1 elbow)

For high altitude installations in Canada, the conversion shall be carried out by a manufacturer's authorized representative, in accordance with the requirements of the manufacturer, provincial or territorial authorities having jurisdiction and in accordance with the requirements of CAN/CGA-B149.1 or CAN/CGA-B149 installation codes.

CAUTION ⚡

Do not touch any other areas on the PC board besides the "SW" switches while power is supplied to the appliance. Parts of the PC board are supplied with 120 volts AC.

CAUTION ⚡

Do not insert hands or objects into the circulation fans while they are running. Injury or mechanical malfunction may occur.

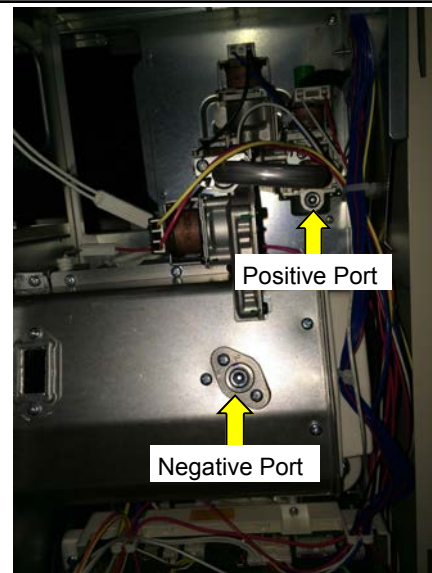
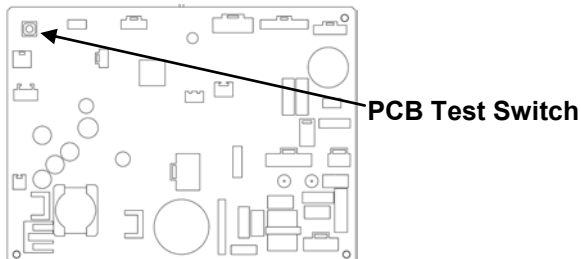
CAUTION 🔥

Do not touch the areas at or near the exhaust. This area becomes very hot and could cause burns.

NOTICE

The regulator has been factory pre-set. If the pressure is incorrect, check the supply pressure first, before making any adjustments to the appliance. Also, if the low control pressure cannot be obtained, adjust the adjustment screw on the proportional valve to roughly set pressure and then recheck both the low and high fire pressures.

1. Turn off the gas and the power supply.
2. Remove test port screws (1/8 NPT tap) with 3/16 Allen wrench located at gas valve and burner cover. Attach dual port manometer to these test ports as shown. Ensure that the manometer is properly calibrated.
3. Turn on the gas and power supply to the appliance.
4. Ensure "Set Back" feature has been deactivated. ("Set Back" feature is active by default.)
5. With the unit in the Off position, press the SW1 switch at the top of PC board until it beeps.
6. Select the correct code for gas type, altitude, and vent length on the LED display using ▲ and ▼ buttons:



Code	Natural Gas Short Vent Lengths: 0 - 7ft+1 elbow (A1 - A4) Long Vent lengths: 7ft +1 elbow - 13ft + 2 elbows (A5 - A8)				Propane Gas Short Vent Lengths: 0 - 7ft+1 elbow (L1 - L4) Long Vent lengths: 7ft +1 elbow - 13ft + 2 elbows (L5 - L8)			
	A1 / A5	A2 / A6	A3 / A7	A4 / A8	L1 / L5	L2 / L6	L3 / L7	L4 / L8
Altitude	0-2000 ft	2001-5200 ft	5201-7700 ft	7701-10200 ft	0-2000 ft	2001-5200 ft	5201-7700 ft	7701-10200 ft
Manifold test pressure - W.C. Low	1.69 in (43 mm)	1.59 in (40 mm)	1.49 in (38 mm)	1.43 in (36 mm)	3.21 in (82 mm)	3.01 in (76 mm)	2.85 in (72 mm)	2.73 in (69 mm)
Manifold test pressure - W.C. High	3.77 in (96 mm)	2.99 in (76 mm)	2.69 in (68 mm)	2.45 in (62 mm)	6.38 in (162 mm)	5.62 in (143 mm)	5.06 in (129 mm)	4.58 in (116 mm)

Adjust Gas Pressure Settings

- Press the SW1 switch twice to enter the gas code into memory.

The LED display turns blank and the unit returns to the normal off mode. You are now ready to program in your correct low fire and high fire gas pressure setting. Follow the procedure below for setting the manifold gas pressure. Do not adjust gas pressure on this appliance using the screw on top of the gas valve.

- Press the ON/OFF button to operate the appliance.
- Press the SW1 switch. The LED will display a "7".
- Press the SW1 switch again to change to the low pressure mode. The LED will display "PL".
- Compare the pressure reading on the manometer to the correct table for your gas type. If necessary adjust the low fire pressure using the ▲ and ▼ buttons. Press the SW1 switch again.
- The LED will display "PH" indicating high fire mode.
- Compare the pressure reading on the manometer to the correct table for your gas type. If necessary adjust the high fire pressure using the ▲ and ▼ buttons.
- Press the ON/OFF button again. The LED display turns blank and the appliance returns to the normal OFF mode.
- Remove manometer and install Allen head screws. Operate the unit and
 - check the normal operating sequence
 - visually inspect the flame
 - check for gas leaks at the test points
- Return unit to normal functioning.
- Reactivate "Set Back" feature.

NOTE: If the LED display shows "HF" or "LF" do not touch the ▲ and ▼ buttons or Economy button. In this case push SW1.

Normal Operating Sequence

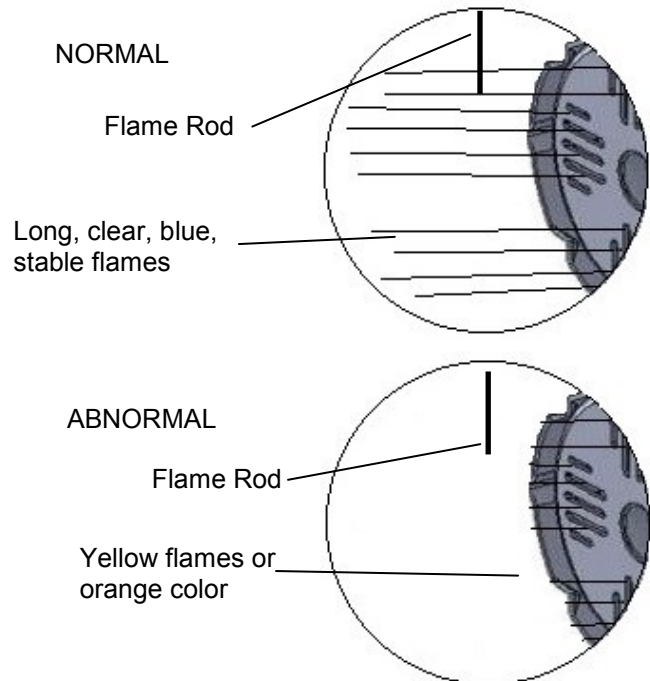
When you press the ON/OFF button, the LED display will illuminate, the combustion fan will begin to run, and the spark will ignite the main burner.

This heater has an automatic ignition system. When the main burner has lit, the combustion lamp will glow red, and the spark will stop.

Visual Inspection of Flame

Check that the burner flames are operating normally. The flame can be seen through the circular window.

When operating normally the burner flame should appear as long, clear, blue, stable, streaks. Yellow flames or an orange color is abnormal and maintenance is required.



Final Assembly



- Install the front panel and bottom cover.
- Place the conversion plate (label) on the front cover.

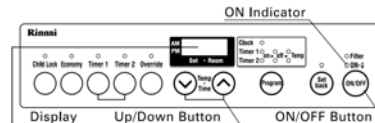
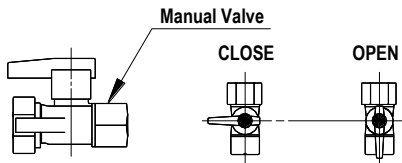
FOR YOUR SAFETY READ BEFORE OPERATING

WARNING If you do not follow these instructions exactly, a fire or explosion may result causing property damage, personal injury or loss of life.


- A. This appliance does not have a pilot. It is equipped with an ignition device which automatically lights the burner. Do not try to light the burner by hand.
- B. **BEFORE OPERATING** smell all around the appliance area for gas. Be sure to smell next to the floor because some gas is heavier than air and will settle on the floor.
 - WHAT TO DO IF YOU SMELL GAS
 - Do not try to light any appliance.
 - Do not touch any electric switch; do not use any phone in your building.
 - Immediately call your gas supplier from a neighbor's phone. Follow the gas supplier's instructions.
- If you cannot reach your gas supplier, call the fire department.
- C. Use only your hand to push in or turn the gas control knob. Never use tools. If the knob will not push in or turn by hand, do not try to repair it, call a qualified service technician. Force or attempted repair may result in a fire or explosion.
- D. Do not use this appliance if any part has been under water. Immediately call a qualified service technician to inspect the appliance and to replace any part of the control system and any gas control which has been under water.

OPERATING INSTRUCTIONS

1. **STOP!** Read the safety information above.
2. Set the thermostat to lowest setting.
3. Turn off all electric power to the appliance using the ON/OFF button on the control panel.
4. This appliance does not have a pilot. It is equipped with an ignition device which automatically lights the burner. Do not try to light the burner by hand.
5. Turn Manual valve clockwise  to the full OFF position.
6. Wait five (5) minutes to clear out any gas. Then smell for gas, including near the floor. If you smell gas, STOP! Follow "B" in the safety information above. If you don't smell gas go to the next step.
7. Turn the manual gas valve counterclockwise  to the full ON position.
8. Turn on all electric power to the appliance using the ON/OFF button.
9. Set the thermostat to desired setting.
10. Burner is lit when indicator lamp "ON" turns red.
11. "ON" indicator and fault code 11, flash when burner fails to ignite.
12. If the appliance will not operate, follow the instructions "To Turn Off Gas To Appliance" and call your service technician or gas supplier. See manual for additional information.

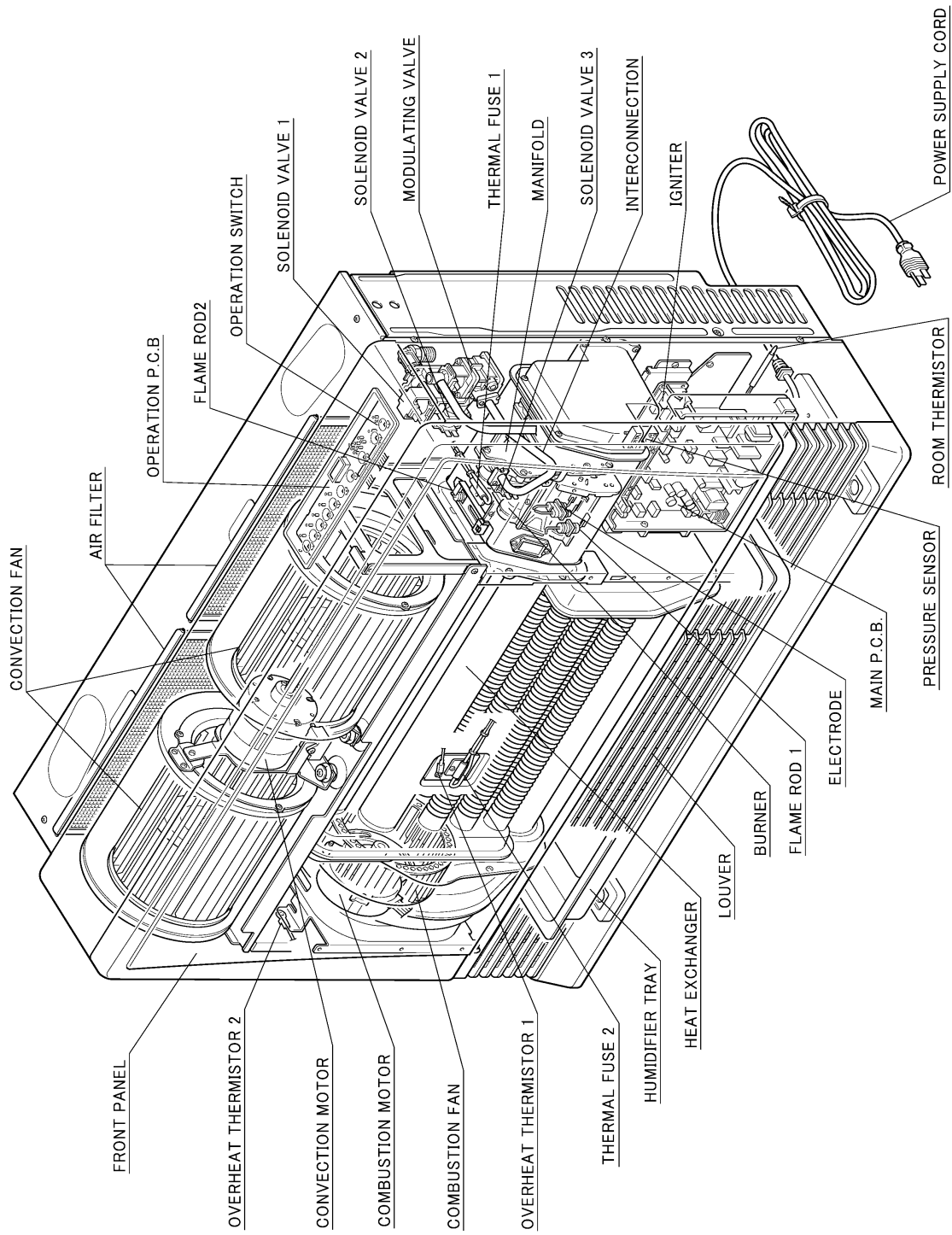


TO TURN OFF GAS TO APPLIANCE

1. Set the thermostat to lowest setting.
2. Turn off all electric power to the appliance if service is to be performed (Using the ON/OFF button located on control panel.)
3. Locate the manual gas valve.
4. Turn the manual valve clockwise  to the full OFF position.

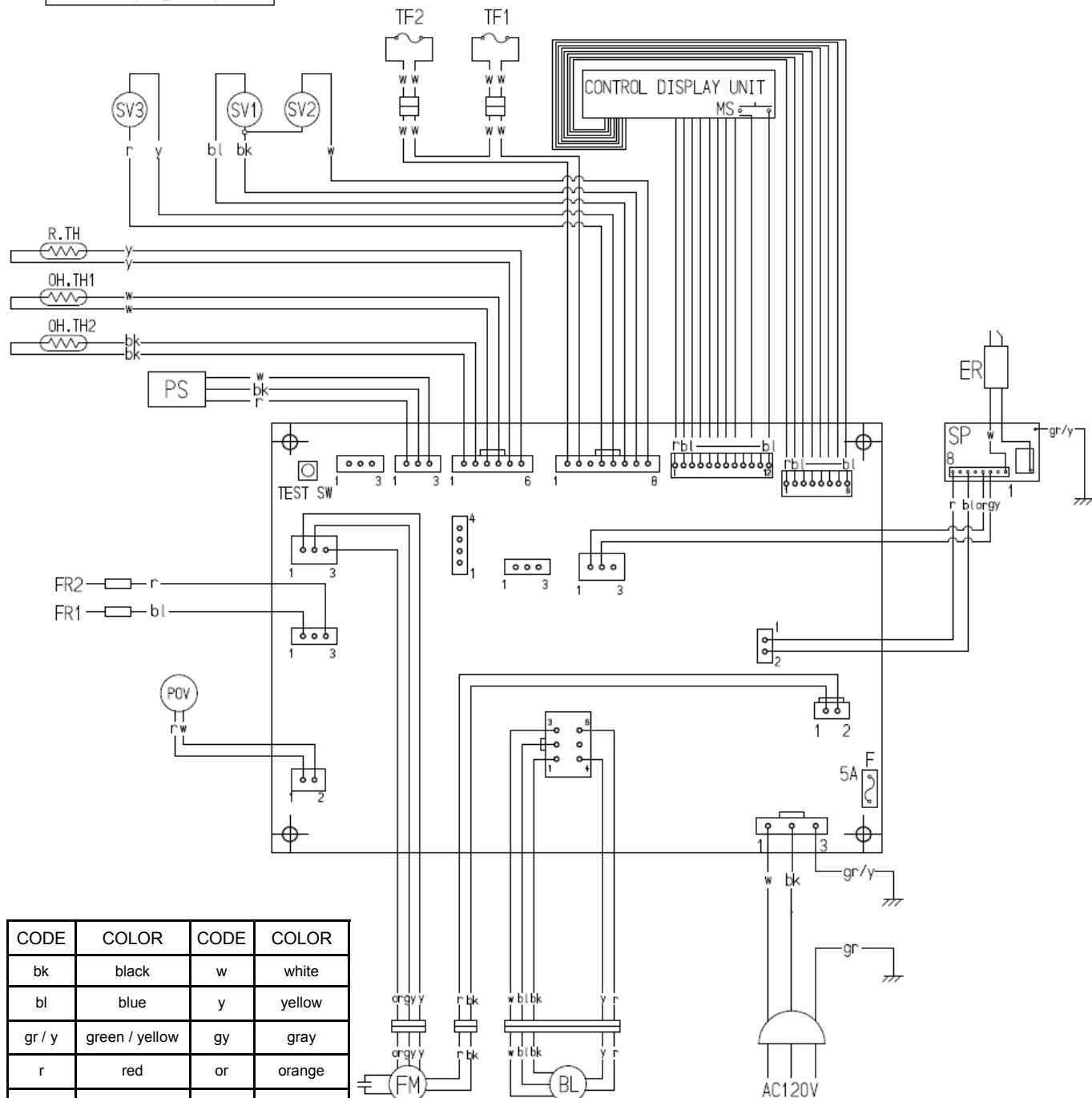
NOTE: The fan will continue to operate until the appliance is cool. Do not turn the appliance off by unplugging it from the wall. Keep burner and control compartment clean. See installation and operating instructions.

Cut-Away Diagram



Wiring Diagram / Schéma de câblage

WIRING DIAGRAM



CODE	COLOR	CODE	COLOR
bk	black	w	white
bl	blue	y	yellow
gr / y	green / yellow	gy	gray
r	red	or	orange
gr	green	br	brown

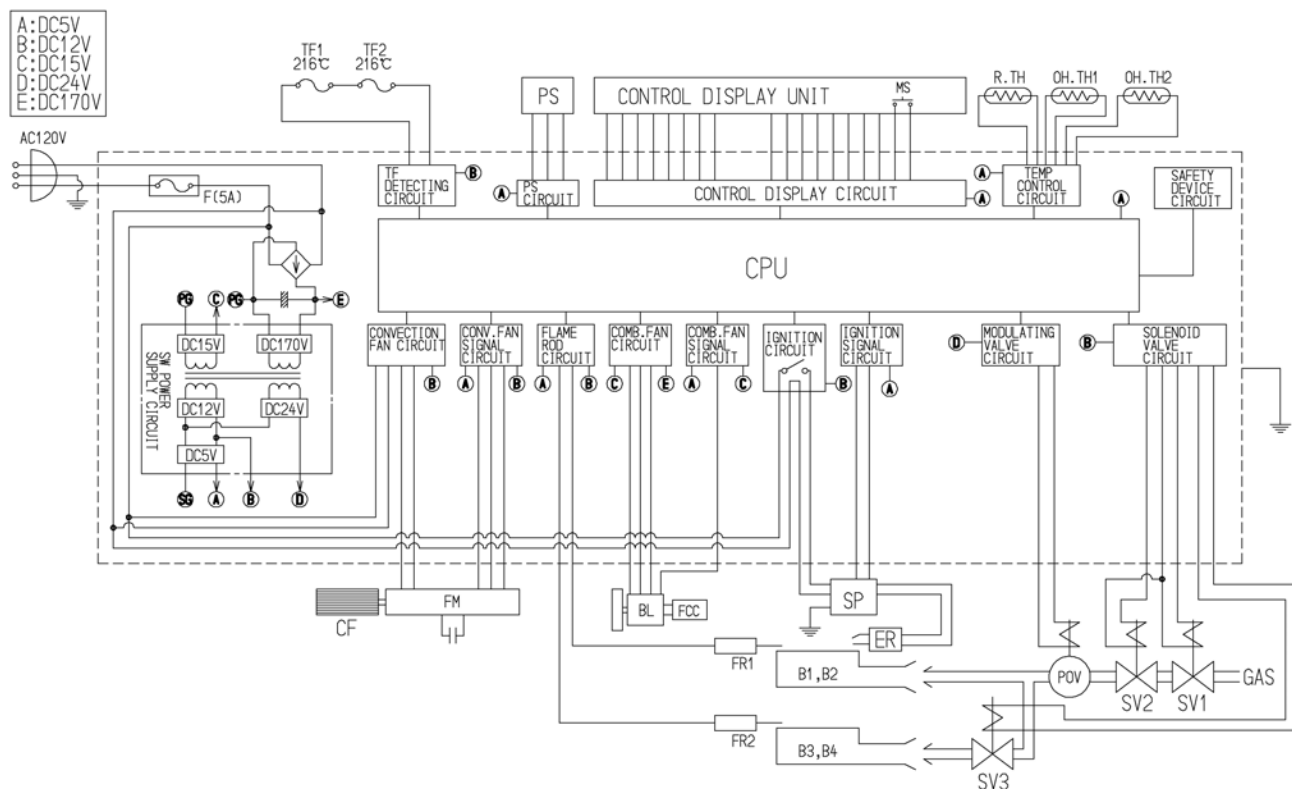
MARK	PARTS NAME	MARK	PARTS NAME
MS	MAIN SWITCH	OH.TH1,2	OVER HEAT THERMISTOR 1,2
R. TH	THERMISTOR	FM	CONVECTION FAN MOTOR
TF1,2	THERMAL FUSE 1, 2	SP	SPARKER
F	FUSE	SV~3	MAIN SOLENOID VALVE 1~3
ER	ELECTRODE	SV3	SOLENOID VALVE 3
POV	MODULATING SOLENOID VALVE	BL	COMBUSTION FAN MOTOR
PS	PRESSURE SENSOR	FR1, 2	FLAME ROD 1, 2

CAUTION
 Label all wires prior to disconnection when servicing controls. Wiring errors can cause improper and dangerous operation.

If any of the original wire as supplied with the appliance must be replaced, it must be replaced with type 18 AWG wire or its equivalent.

Ladder Diagram / Diagramme logique

LADDER DIAGRAM

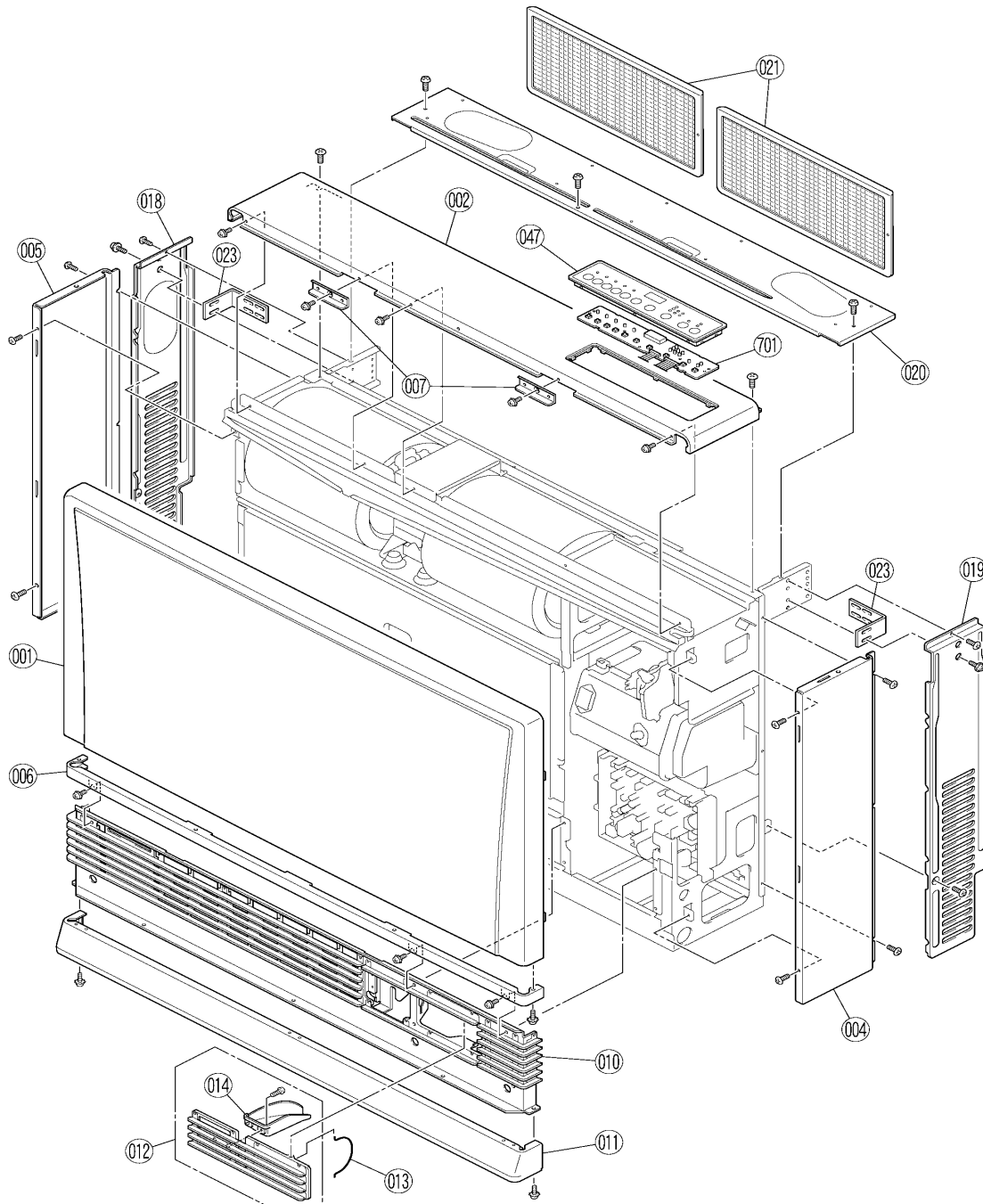


MARK	PARTS NAME	MARK	PARTS NAME
MS	MAIN SWITCH	SP	SPARKER
R. TH	THERMISTOR	OH.TH1,2	OVER HEAT THERMISTOR 1,2
TF1,2	THERMAL FUSE 1, 2	SP	SPARKER
F	FUSE	SV1~3	SOLENOID VALVE 1~3
ER	ELECTRODE	BL	COMBUSTION FAN MOTOR
POV	MODULATING SOLENOID VALVE	FCC	FAN CONTROL CIRCUIT
FR1, 2	FLAME ROD 1, 2	B1~4	BURNER 1~4
CF	CONVECTION FAN	PS	PRESSURE SENSOR
FM	CONVECTION FAN MOTOR		

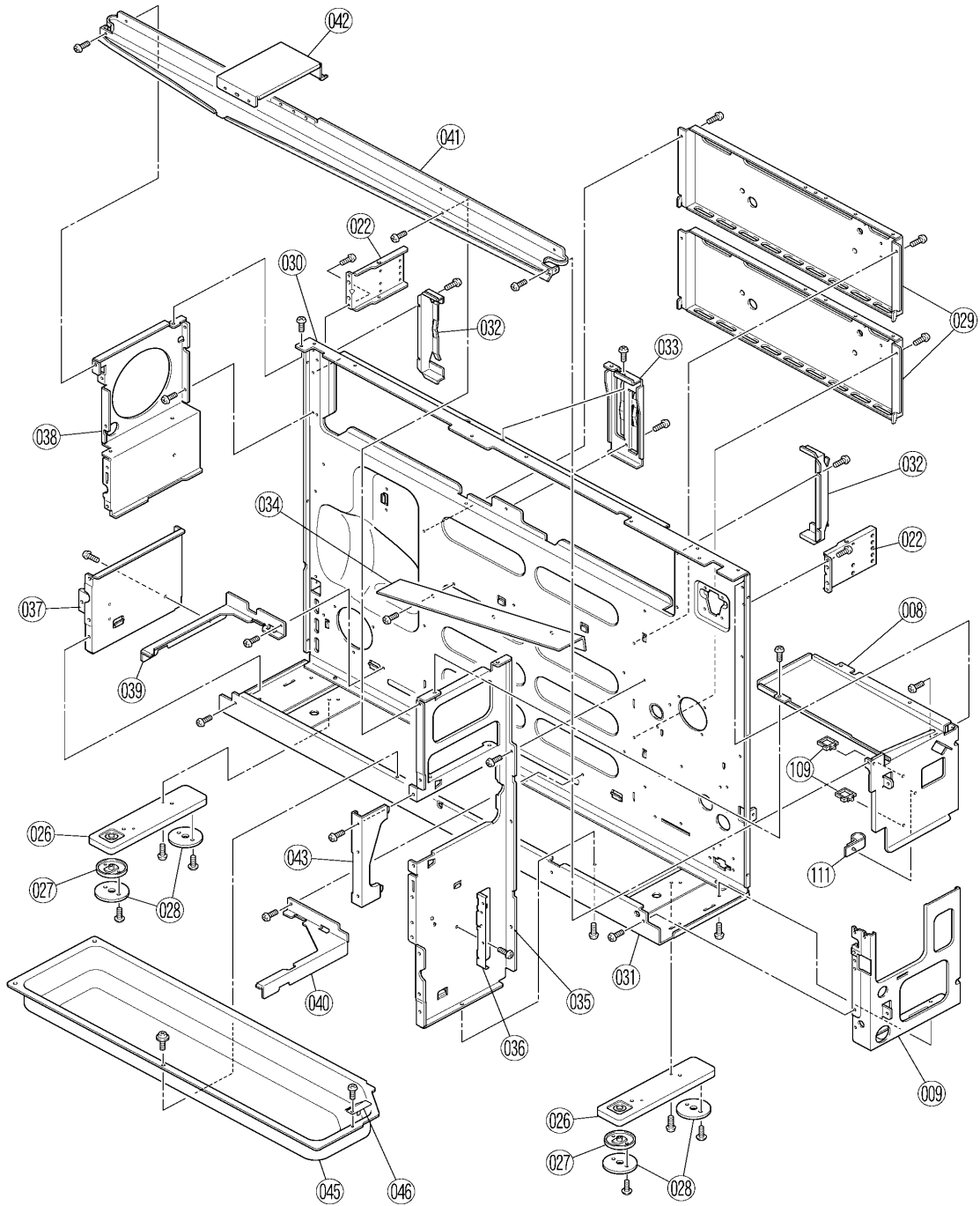
Parts List / Liste de pièces

For replacement parts call Rinnai at 1-800-621-9419.

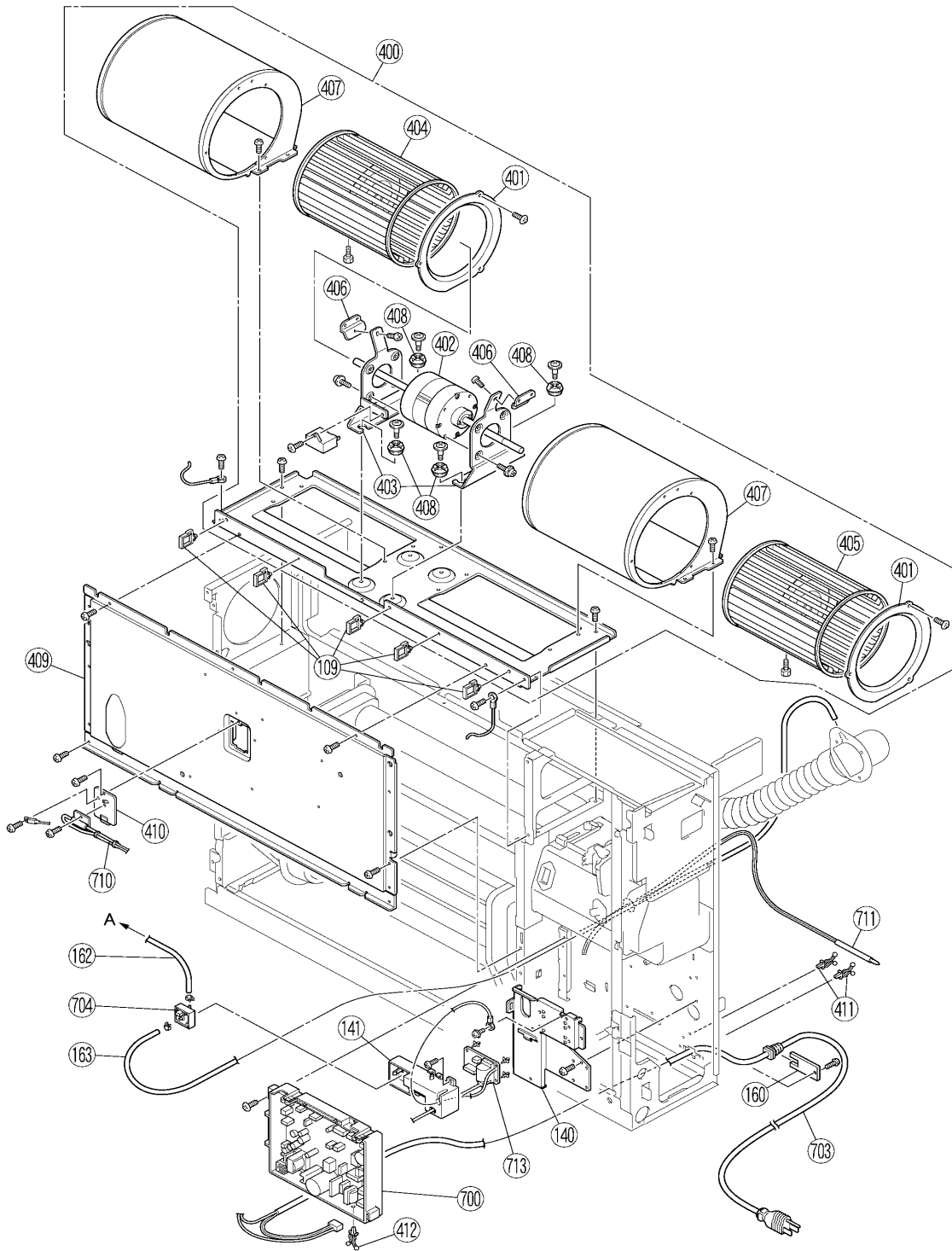
Pour les pièces de rechange, appelez Rinnai au 1-800-621-9419.



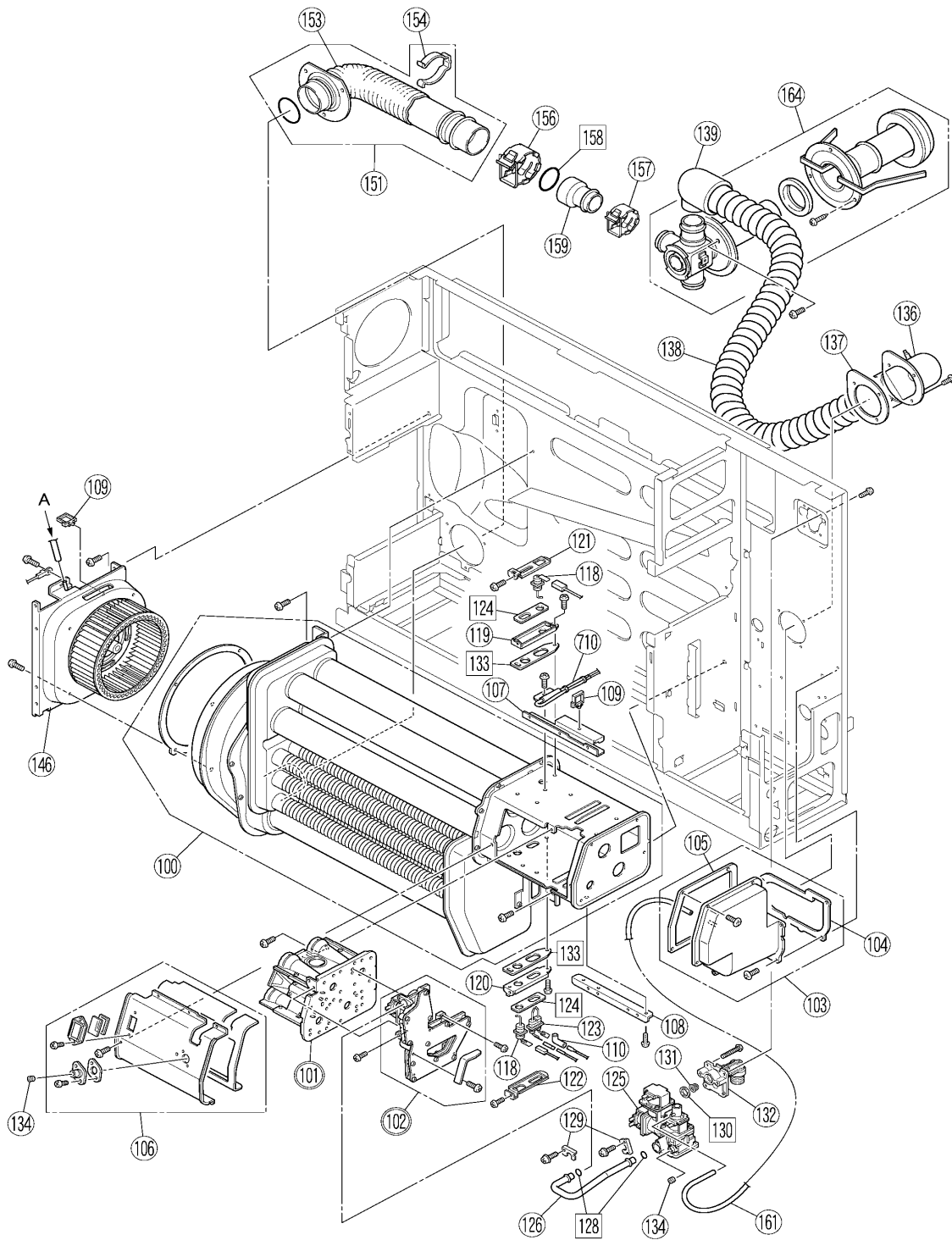
Parts List / Liste de pièces

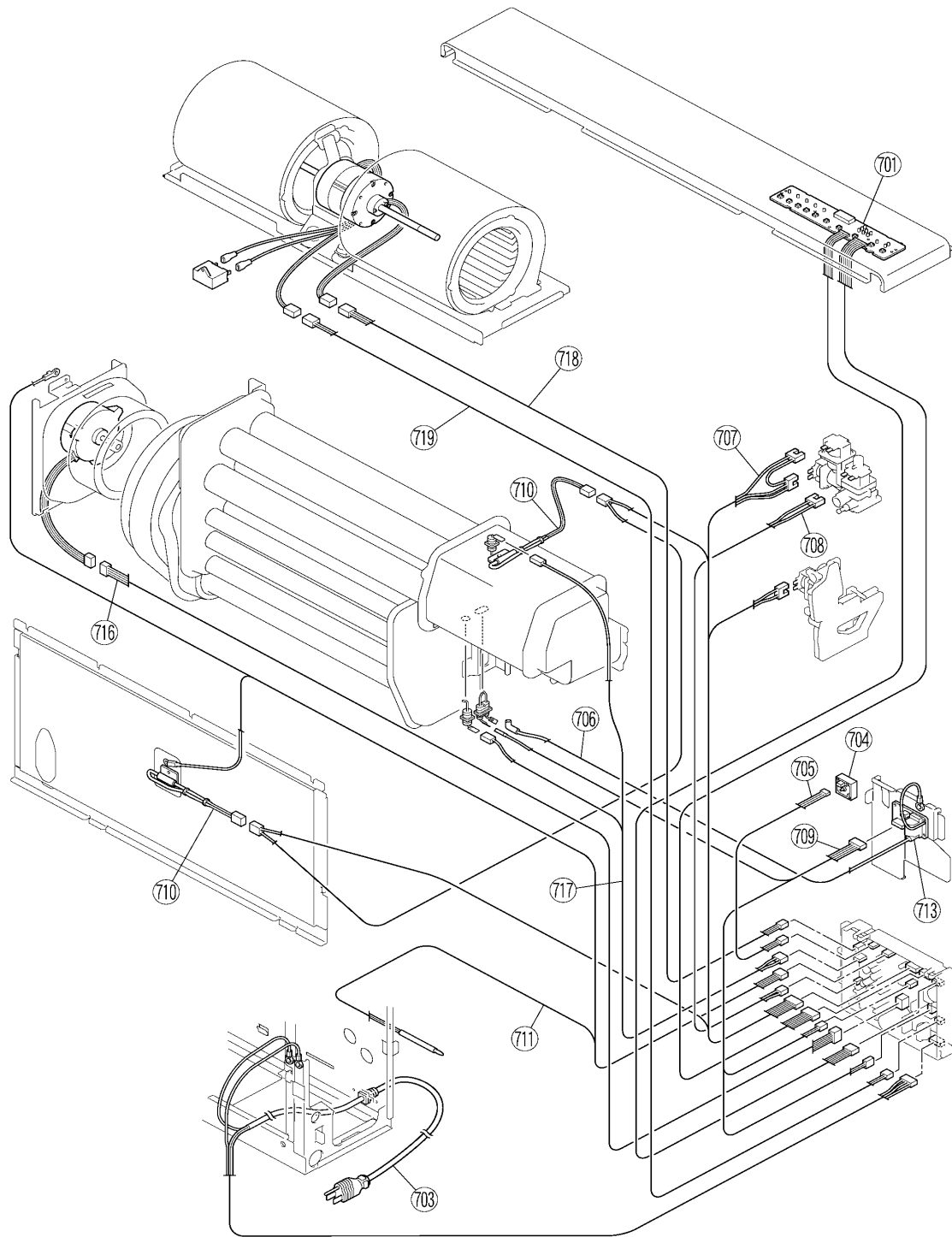


Parts List / Liste de pièces



Parts List / Liste de pièces





Parts List / Liste de pièces

NO.	NAME	Part Number	QTY	
			1005 FTA Beige	1005FTA-W White
001	FRONT PANEL ASSY A	209000139		1
	FRONT PANEL ASSY B	209000140	1	
002	TOP PLATE A	209000141		1
	TOP PLATE B	209000142	1	
004	SIDE PANEL J	209000143		1
	SIDE PANEL L	209000144	1	
005	SIDE PANEL K	209000145		1
	SIDE PANEL M	209000146	1	
006	LOUVER SUPPORT TRIM A	208000050		1
	LOUVER SUPPORT TRIM B	208000051	1	
007	FRONT PANEL HOLDER	209000147	2	2
008	FRAME CORNER UPPER	209000148	1	1
009	FRAME CORNER	209000149	1	1
010	LOUVER ASSY A	208000052		1
	LOUVER ASSY B	208000053	1	
011	BOTTOM TRIM ASSY H	209000150		1
	BOTTOM TRIM ASSY G	209000029	1	
012	WATER FILLER TOTAL ASSY A	209000151		1
	WATER FILLER TOTAL ASSY B	209000152	1	
013	LOUVER DOOR HINGES	1001F-078	1	1
014	WATER FILLER	209000153	1	1
018	BACK SPACER LEFT H	209000154		1
	BACK SPACER LEFT G	209000155	1	
019	BACK SPACER RIGHT H	209000156		1
	BACK SPACER RIGHT G	209000157	1	
020	BACK SPACER TOP ASSY C	209000158		1
	BACK SPACER TOP ASSY B	209000159	1	
021	AIR FILTER ASSY	208000054	2	2
022	BACK SPACER SUPPORT	1001F-092X02	2	2
023	WALL BRACKET B	1004F-825	2	2
026	LEG ASSY	209000160	2	2
027	RUBBER BRACKET ASSY	550F-0220X01	2	2
028	BASE SUPPORT RUBBER	550F-0225X01	4	4
029	HEAT SHIELD PANEL	209000108	2	2
030	BACK PLATE	209000161	1	1
031	BOTTOM PLATE	209000162	1	1
032	FILTER HOLD SIDE PLATE	208000055	2	2
033	FILTER HOLD CENTER	208000056	1	1
034	STRAIGHTENING PLATE A	209000163	1	1
035	FRAME CENTER	209000164	1	1
036	PCB UNIT MOUNTING ACCESSORY PLATE	209000165	1	1
037	FRAME LOWER LEFT ASSY	209000166	1	1
038	FRAME UPPER LEFT	209000167	1	1

Parts List / Liste de pièces

NO.	NAME	Part Number	QTY	
			1005FTA Beige	1005FTA-W White
039	HUMIDIFIER TRAY HOLD PLATE LEFT	208000057	1	1
040	HUMIDIFIER TRAY HOLD PLATE RIGHT	208000058	1	1
041	TOP PLATE SUPPORTER	209000168	1	1
042	TOP PLATE HOLDER	209000169	1	1
043	BURNER BOX SEAL PLATE	206000039	1	1
045	HUMIDIFIER TRAY	1001F-037	1	1
046	WATER LEVEL INDICATOR	1001F-172	1	1
047	CONTROL BOX SP	209000170		1
	CONTROL BOX SP	209000171	1	
100	HEAT EXCHANGER TOTAL ASSY SP	206000040	1	1
101	BURNER TOTAL ASSY (LP)	206000041	1	1
	BURNER TOTAL ASSY (NG)	206000042	1	1
102	MANIFOLD ASSY A (LP)	206000043	1	1
	MANIFOLD ASSY B (NG)	206000044	1	1
103	COMBUSTION CHAMBER CONNECTION	206000045	1	1
104	COMBUSTION CHAMBER PACKING A	206000046	1	1
105	COMBUSTION CHAMBER PACKING B	206000047	1	1
106	BURNER LID ASSY B	206000048	1	1
107	BURNER LID MOUNTING PLATE A	206000049	1	1
108	BURNER LID MOUNTING PLATE B	206000050	1	1
109	WIRE CLIP	205000067	9	9
110	SLEEVE	3022-0344	1	1
111	CLAMP	209000177	1	1
118	FLAME ROD	205000068	2	2
119	ELECTRODE FIXING PLATE A	205000069	1	1
120	ELECTRODE FIXING PLATE B	205000070	1	1
121	ELECTRODE BRACKET A	205000071	1	1
122	ELECTRODE BRACKET B	205000072	1	1
123	ELECTRODE	205000073	1	1
124	ELECTRODE PACKING	205000074	2	2
125	GAS CONTROL ASSY	206000051	1	1
126	INTER CONNECTION	209000172	1	1
128	O RING	M10B-1-10	2	2
129	CONNECTING TUBE RETAINER	209000079	2	2
130	PACKING	C3I1-7	1	1
131	GAS FILTER	206000052	1	1
132	GAS INLET	431F-1110	1	1
133	ELECTRODE PACKING B	205000075	2	2
134	TEST PORT SCREW	AU39-965X01	2	2
136	AIR INLET D	208000059	1	1
137	AIR INLET PACKING	1004F-2033	1	1
138	AIR INTAKE HOSE E	RHF1000-130-E	1	1
139	AIR INLET ELBOW	RHF1000-132	1	1
140	IGNITER BASE PLATE A	205000076	1	1
141	IGNITER COVER	205000077	1	1
146	COMBUSTION FAN TOTAL ASSY	208000060	1	1
151	EXHAUST ELBOW ASSY	208000065	1	1
153	COVER	1001F-111X03	1	1
154	ELBOW COVER STOPPER	RHF1000-145	1	1

Parts List / Liste de pieces

NO.	NAME	Part Number	QTY	
			1005FTA Beige	1005FTA-W White
156	EXHAUST PIPE STOPPER ASSY	1001F-250	1	1
157	EXHAUST PIPE STOPPER S ASSY	1001F-1730	1	1
158	O RING	209000173	1	1
159	EXHAUST ADAPTER B ASSY	1004F-530X01	1	1
160	POWER SUPPLY CORD BRACKET	RC-329-1033X01	1	1
161	TUBE D	208000017	1	1
162	SENSING TUBE A	205000078	1	1
163	SENSING TUBE H	205000079	1	1
164	FLUE ASSY	FOT-151	1	1
166	HOSE BAND O	209000087	3	3
167	HOSE BAND N	209000088	1	1
400	CONVECTION FAN TOTAL ASSY	208000061	1	1
401	BELL MOUTH	209000174	2	2
402	CONVECTION FAN MOTOR	208000062	1	1
403	MOTOR BRACKET	208000063	2	2
404	CONVECTION FAN A	1004F-308-1X01	1	1
405	CONVECTION FAN B	1004F-308-2X01	1	1
406	MOTOR BRACKET ACCESSORY PLATE	208000064	2	2
407	FAN CASING ASSY	1001F-152X05	2	2
408	CUSHION RUBBER	308F-8273	4	4
409	HEAT SHIELD BOARD ASSY	209000175	1	1
410	OHS BRACKET	209000176	1	1
411	CABLE CLIP	CP-90125-2	2	2
412	CABLE CLIP	209000178	1	1
700	PC BOARD ASSY	205000080	1	1
701	OPERATION PC BOARD ASSY	205000081	1	1
703	POWER SUPPLY CORD	205000082	1	1
704	PRESSURE SENSOR	1004F-2051	1	1
705	SENSOR HARNESS	1004F-2053	1	1
706	HIGH TENSION CORD	205000083	1	1
707	SV HARNESS	205000084	1	1
708	POV HARNESS	205000085	1	1
709	IG HARNESS	205000086	1	1
710	TF HARNESS	205000041	2	2
711	ROOM THERMISTOR	205000087	1	1
713	IGNITER	205000037	1	1
716	MOTOR HARNESS	205000088	1	1
717	FR HARNESS	205000089	1	1
718	RPM HARNESS	205000090	1	1
719	CONVECTION MOTOR HARNESS	205000091	1	1
800	WATER LINE LABEL B	550F-1418	1	1
888	OPERATION MANUAL	200000064	1	1
890	OPERATION LABEL	200000066	1	1
999	ON-OFF VALVE ASSY	BRR37-244	1	1

Consumer Support

Warranty Information

The installer is responsible for your heater's correct installation.

Please complete the information below to keep for your records:

Purchased from: _____

Address: _____ Phone: _____

Date of Purchase: _____

Model No.: _____

Serial No.: _____

Installed by: _____ Installer's License No.: _____

Address: _____ Phone: _____

Date of Installation: _____

Limited Warranty

Gas Direct Vent Wall Furnace

What is covered?

This Warranty covers any defects in materials or workmanship, subject to the terms stated below. This Warranty extends to the original purchaser and subsequent transferees, but only while the product remains at the site of the original installation. This Warranty only extends through the first installation of the product and terminates if the product is moved or reinstalled at a new location.

How long does coverage last?

Item	Period of Coverage
Heat Exchanger	10 years from date of purchase
All Other Parts	5 years from date of purchase
Reasonable Labor	2 years from date of purchase

What will Rinnai do?

Rinnai will repair or replace the covered product or any part or component that is defective in materials or workmanship as set forth. Rinnai will pay reasonable labor charges associated with the repair or replacement of any such part or component. All repair parts must be genuine Rinnai parts. All repairs or replacements must be performed by an individual or servicing company that is properly trained, state qualified or licensed to do the type of repair.

Limited Warranty

Replacement of the product may be authorized by Rinnai only. Rinnai does not authorize any person or company to assume for it any obligation or liability in connection with the replacement of the product. If Rinnai determines that repair of a product is not possible, Rinnai will replace the product with a comparable product at Rinnai's discretion. If a component or product returned to Rinnai is found to be free of defects in material or workmanship, or damaged by improper installation or damaged during return shipping, the warranty claim for product, parts and labor may be denied.

How do I get service?

You must contact a state qualified/licensed contractor or authorized service provider for the repair of a product under this Warranty. For the name of a qualified/authorized service provider please contact your place of purchase, visit the Rinnai website (www.rinnai.us), call Rinnai at 1-800-621-9419 or write to Rinnai at 103 International Drive, Peachtree City, Georgia 30269.

Proof of purchase is required to obtain warranty service. You may show proof of purchase with a dated sales receipt, or by registering within 30 days of purchasing the product. To register your appliance, please visit www.rinnairegistration.com. For those without internet access, please call 1-866-RINNAI1 (745-6241). Receipt of Registration by Rinnai will constitute proof-of-purchase for this product. However, Registration is not necessary in order to validate this Warranty.

What is not covered?

This Warranty does not cover any failures or operating difficulties due to the following:

- accident, abuse, or misuse
- alteration
- misapplication
- force majeure
- improper installation (such as but not limited to, condensate damage, improper venting, incorrect gas type, or incorrect gas pressure)
- improper conversion (including conversions for inventory adjustment)
- improper maintenance (such as but not limited to vent blockage)
- incorrect sizing
- any other causes other than defects in materials or workmanship

This Warranty does not apply to any product whose serial number or manufacture date has been defaced.

Limitation on warranties

No one is authorized to make any other warranties on behalf of Rinnai America Corporation. Except as expressly provided herein, there are no other warranties, expressed or implied, including, but not limited to warranties of merchantability or fitness for a particular purpose, which extend beyond the description of the warranty herein and further Rinnai shall not be liable for indirect, incidental, special, consequential or other similar damages that may arise, including lost profits, damage to person or property, loss of use, inconvenience, or liability arising from improper installation, service or use. Some states do not allow the exclusion or limitation of incidental or consequential damages, so the above limitation may not apply to you.

Any implied warranties of merchantability and fitness arising under state law are limited in duration to the period of coverage provided by this limited Warranty, unless the period provided by state law is less. Some states do not allow limitations on how long an implied Warranty lasts, so the above limitation may not apply to you.

This Warranty gives you specific legal rights, and you may also have other rights which vary from state to state.

State Regulations

NOTICE BEFORE INSTALLATION

Rinnai direct-vent appliance must be installed by a state qualified or licensed contractor and a properly trained Rinnai Installer. If you are not properly trained, you must not install this unit.

IMPORTANT: In the State of Massachusetts (248 CMR 4.00 & 5.00)

For all side wall horizontally vented gas fueled equipment installed in every dwelling, building or structure used in whole or in part for residential purposes, including those owned or operated by the Commonwealth and where the side wall exhaust vent termination is less than seven (7) feet above finished grade in the area of the venting, including but not limited to decks and porches, the following requirements shall be satisfied:

1. **INSTALLATION OF CARBON MONOXIDE DETECTORS.** At the time of installation of the side wall horizontal vented gas fueled equipment, the installing plumber or gasfitter shall observe that a hard wired carbon monoxide detector with an alarm and battery back-up is installed on the floor level where the gas equipment is to be installed. In addition, the installing plumber or gasfitter shall observe that a battery operated or hard wired carbon monoxide detector with an alarm is installed on each additional level of the dwelling, building or structure served by the side wall horizontal vented gas fueled equipment. It shall be the responsibility of the property owner to secure the services of qualified licensed professionals for the installation of hard wired carbon monoxide detectors
 - a. In the event that the side wall horizontally vented gas fueled equipment is installed in a crawl space or an attic, the hard wired carbon monoxide detector with alarm and battery back-up may be installed on the next adjacent floor level.
 - b. In the event that the requirements of this subdivision can not be met at the time of completion of installation, the owner shall have a period of thirty (30) days to comply with the above requirements; provided, however, that during said thirty (30) day period, a battery operated carbon monoxide detector with an alarm shall be installed.
2. **APPROVED CARBON MONOXIDE DETECTORS.** Each carbon monoxide detector as required in accordance with the above provisions shall comply with NFPA 720 and be ANSI/UL 2034 listed and IAS certified.
3. **SIGNAGE.** A metal or plastic identification plate shall be permanently mounted to the exterior of the building at a minimum height of eight (8) feet above grade directly in line with the exhaust vent terminal for the horizontally vented gas fueled heating appliance or equipment. The sign shall read, in print size no less than one-half (1/2) inch in size, **"GAS VENT DIRECTLY BELOW. KEEP CLEAR OF ALL OBSTRUCTIONS"**.
4. **INSPECTION.** The state or local gas inspector of the side wall horizontally vented gas fueled equipment shall not approve the installation unless, upon inspection, the inspector observes carbon monoxide detectors and signage installed in accordance with the provisions of 248 CMR 5.08(2)(a)1 through 4.

NOTES

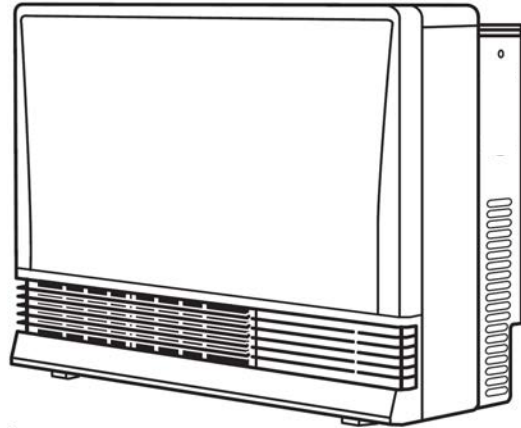
NOTES

Rinnai®

Energysaver® Radiateur mural au gaz à ventilation directe

EX38C.....(RHFE-1005FTA)

Installateur : Laissez ce manuel avec l'appareil.
Consommateur : Conservez ce manuel comme référence ultérieure.



AVERTISSEMENT

Si les informations de ces instructions ne sont pas suivies exactement, il peut en résulter un départ d'incendie ou une explosion, causant des dégâts matériels et des blessures pouvant être mortelles.

- N'entreposez pas ou n'utilisez pas d'essence ou d'autres vapeurs ou liquides inflammables à proximité de cet appareil ou de n'importe quel autre.
- QUE FAIRE SI VOUS SENTEZ LE GAZ
 - N'essayez d'allumer aucun appareil.
 - Ne touchez à aucun interrupteur électrique. N'utilisez aucun téléphone dans votre bâtiment.
 - Appelez immédiatement votre fournisseur de gaz depuis un téléphone du voisinage. Suivez les instructions qu'il vous donnera.
 - Si vous ne pouvez pas joindre votre fournisseur de gaz, appelez les pompiers.
- Installation et interventions de service doivent être effectuées par un professionnel agréé.

LISEZ SOIGNEUSEMENT TOUTES CES INSTRUCTIONS AVANT D'INSTALLER OU D'UTILISER CE RADIATEUR

Ce manuel fournit des informations sur l'installation, l'utilisation et l'entretien du radiateur. Pour un bon fonctionnement et la **sécurité**, il est important de suivre ces instructions et de respecter les précautions de sécurité.

Un professionnel agréé doit installer le radiateur à ventilo-convecteur en suivant exactement les instructions de ce manuel.

Le consommateur doit lire le manuel en entier pour faire fonctionner correctement le radiateur et accomplir son entretien régulier.

Cet appareil peut être installé dans une maison préfabriquée ou mobile déjà installée à demeure si les règlements locaux le permettent.

Enregistrez votre produit sur www.rinnaregistration.com ou téléphonez au 1-866-RINNAI1 (746-6241)

Cet appareil peut être installé comme une installation de première monte dans une maison préfabriquée (États-Unis seulement) ou mobile, et doit l'être en conformité avec les instructions du constructeur et les normes Manufactured Home construction and Safety Standard, Title 24 CFR, Part 3280, aux USA, ou bien Mobile Home Standard, CAN/CSA Z240 MH Series, au Canada.

Cet appareil peut être installé dans une maison préfabriquée ou mobile déjà installée à demeure si les règlements locaux le permettent.

Cet appareil ne doit être utilisé qu'avec le type de gaz indiqué sur sa plaque signalétique. Il n'est pas convertible pour une utilisation avec d'autres gaz, sauf en cas d'utilisation d'un kit de conversion certifié.

Table des matières

Informations pour la sécurité du consommateur

<i>Définitions de sécurité</i>	49
<i>Comportements et pratiques de sécurité</i>	49
<i>Caractéristiques de sécurité</i>	50

Spécifications

<i>Spécifications de l'appareil</i>	50, 51
<i>Caractéristiques</i>	51
<i>Collecteurs d'évacuation des gaz</i>	51

Instructions d'utilisation

<i>Découverte de votre nouveau chauffage</i>	52
<i>Panneau de commandes</i>	53
<i>Marche / Arrêt</i>	53
<i>Verrouillage pour les enfants</i>	53
<i>Mise à l'heure</i>	54
<i>Utilisation manuelle du radiateur</i>	54
<i>Paramétrage et utilisation des minuteries</i>	54
<i>Fonction de surpassement</i>	55
<i>Économie (Mode d'économie énergétique)</i>	55
<i>Seuil minimal</i>	56
<i>Humidificateur et direction de flux d'air</i>	56
<i>Entretien et maintenance</i>	57
<i>Avant de demander une intervention</i>	58
<i>Codes de défauts</i>	59
<i>Fonction de redémarrage</i>	60
<i>Dépannage</i>	60

Instructions d'installation

<i>Instructions générales</i>	61
<i>Branchement du gaz</i>	62
<i>Dégagements par rapport aux combustibles</i>	62
<i>Dégagements de sortie d'évacuation</i>	63, 64
<i>Dimensions</i>	65
<i>Pièces d'installation</i>	66
<i>Perçage du trou de cheminée</i>	67
<i>Fixation des supports muraux</i>	67
<i>Fixation des calages arrière</i>	67
<i>Installation du collecteur de cheminée</i>	68, 69
<i>Installation de kits d'extension</i>	70-72
<i>Raccordement de l'appareil</i>	73
<i>Réglages de pression de gaz</i>	74, 75
<i>Instructions d'utilisation</i>	76
<i>Vue en coupe</i>	77
<i>Schéma de câblage</i>	78
<i>Diagramme logique</i>	79
<i>Liste de pièces</i>	80-87

Assistance à la clientèle

<i>Informations de garantie</i>	88
<i>Garantie limitée</i>	88, 89

Réglementations provinciales	90
---	----

Informations pour la sécurité du consommateur

Définitions de sécurité



Ceci est un symbole d'alerte. Il vous prévient de dangers potentiels qui pourraient causer des blessures ou la mort pour vous et les autres.



Indique une situation dangereuse imminente qui, si elle n'est pas évitée, pourrait entraîner une blessure grave voire mortelle.



Indique une situation dangereuse potentielle qui, si elle n'est pas évitée, pourrait entraîner une blessure grave voire mortelle.



Indique une situation dangereuse potentielle qui si elle n'est pas évitée, pourrait entraîner une blessure de gravité faible à moyenne. Ce symbole peut aussi s'utiliser pour vous mettre en garde contre des pratiques dangereuses.

Comportements et pratiques de sécurité



AVERTISSEMENT

- Les réparations doivent être effectuées par un technicien de service qualifié.
- Gardez la zone autour de l'appareil dégagée et exempte de matières combustibles, d'essence et d'autres vapeurs ou liquides inflammables.
- Ne stockez jamais de bouteilles de propane liquide à l'intérieur.
- N'utilisez pas cet appareil si une partie quelconque a été immergée dans de l'eau. Appelez immédiatement un professionnel agréé pour inspecter l'appareil et remplacer toute pièce du système de contrôle et toute commande de gaz qui aurait séjourné sous l'eau. Cet appareil est équipé d'une fiche d'alimentation à 3 broches (avec terre) pour votre protection contre un risque d'électrocution, il est à brancher directement dans une prise secteur 3 broches convenablement reliée à la terre. Ne coupez pas et n'enlevez pas la broche de terre de cette fiche secteur.
- Toute altération de cet appareil ou de ses commandes peut être dangereuse.
- Ne faites pas fonctionner cet appareil avec ses panneaux enlevés, fissurés ou cassés. Le remplacement des panneaux ne doit être effectué que par du personnel de service agréé ou qualifié.



ATTENTION

- Ne bloquez pas la sortie de l'air chaud. Ne laissez personne dormir directement en face de l'appareil.
- Du fait de ses températures élevées, l'appareil doit être situé hors du trafic et à distance du mobilier et des draperies.
- Les enfants et les adultes doivent être prévenus des dangers de la température de surface élevée, et doivent rester à l'écart pour éviter brûlures ou inflammation des vêtements.
- Les jeunes enfants doivent rester sous surveillance quand ils sont dans la pièce de l'appareil.
- Des vêtements ou d'autres matières inflammables ne doivent pas être placés sur l'appareil ou à proximité.
- Tout écran ou protection de sécurité qui a été enlevé pendant une intervention est à remettre en place avant de remettre l'appareil en marche.
- N'insérez pas d'objets dans les volets.
- Ne pulvérisez pas avec des bombes aérosol près de l'appareil en marche. La plupart de ces bombes contiennent du gaz butane inflammable.
- Ne débranchez pas électriquement l'appareil quand il est en marche ou quand les ventilateurs tournent encore.
- Ne vous servez pas de vos mains nues pour toucher les volets avant, les températures élevées causeraient des brûlures.
- Portez une protection de la main pour toucher les couvercles à l'arrière des côtés, les volets avant et l'admission arrière pour le ventilateur de convection.
- Évitez une accumulation de poussière sur le cordon secteur, les couvercles de côté, et les pièces derrière l'appareil.
- Ne vous asseyez pas sur le radiateur.
- Ne placez pas de conteneurs de liquide sur le dessus du radiateur. De l'eau renversée peut causer de gros dégâts à l'appareil et peut entraîner une commotion électrique.

Caractéristiques de sécurité

- **Surchauffe** : L'appareil se coupe automatiquement quand il dépasse une température prédéterminée.
- **Défaut de flamme** : L'appareil se coupe automatiquement quand la flamme du brûleur est éteinte.
- **Panne secteur** : L'appareil coupera l'arrivée du gaz si son alimentation secteur est coupée.
- **Saute de puissance** : Un fusible en verre sur la carte de circuit imprimé protège contre une surintensité. Si ce fusible est grillé, tous les voyants indicateurs sont éteints.
- **Détecteur d'étincelle** : L'appareil se coupe automatiquement s'il se produit une étincelle anormale à l'allumage.
- **Fusible thermique** : Dans le cas où la fonction de surchauffe évite que la température ne monte, le fusible thermique déclenche ce qui coupe l'appareil.

Spécifications

Spécifications de l'appareil

Application	Pour une maison préfabriquée (USA seulement) ou une maison mobile, ou une installation résidentielle convertible pour une utilisation au gaz naturel et aux gaz de pétrole liquéfié (propane/GPL), quand une disposition est prise pour la simple conversion d'un gaz à l'autre. Pour un contexte commercial. Pour une installation à des altitudes allant jusqu'à 3 109 m (10 200 pieds).
Description générale	Appareil de chauffage à gaz à combustion et convection forcées.
Fonctionnement	Commande électronique par bouton poussoir.
Connexion du gaz	NPT 1/2 pouce
Commande du gaz	Électronique
Brûleur	Brûleur Bunsen en acier inox
Contrôle de température	Thermostat électronique
Système d'allumage	Allumage électronique à étincelles
Système de cheminée	Les gaz après combustion doivent sortir dans l'atmosphère en utilisant uniquement les composants d'évacuation listés sur la certification de l'appareil. L'utilisation de composants non listés annulerait la garantie.
Bac d'humidification	Capacité 3 litres (6,3 pintes)
Raccordement électrique	Secteur 120 V /60 Hz, 117 watts consommés
Poids	40 kg (88 lbs)
Niveau de bruit	39 - 46 dB

Rinnai met constamment à jour et améliore ses produits. C'est pourquoi leurs spécifications sont susceptibles de changer sans préavis.

La cote d'efficacité énergétique de cet appareil a été déterminée en laboratoire dans des conditions de fonctionnement continu, indépendamment de tout système installé.

Spécifications de l'appareil

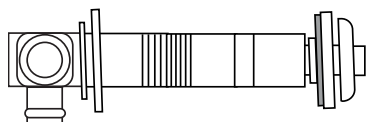
	Gaz naturel	Gaz propane
Pression d'alimentation en gaz Minimale	89 mm (3,5 po.) colonne d'eau	203 mm (8,0 po.) colonne d'eau
Pression d'alimentation en gaz Maximale	267 mm (10,5 po.) colonne d'eau	330 mm (13,0 po.) colonne d'eau
BTU/heure d'entrée	Petit feu 13 200, plein feu 38 400	Petit feu 13 200, plein feu 36 500
BTU/heure de sortie	Petit feu 10 560, plein feu 30 720	Petit feu 10 560, plein feu 29 200

Caractéristiques

- Redémarre automatiquement en cas d'échec d'allumage ou de combustion.
- Chauffage propre de type à échappement forcé.
- Utilisation facile avec touche d'allumage
- Contrôle de température sensible
- Thermostat programmable
- Sortie d'air chaud au niveau du plancher (vos pieds sont au chaud)
- Verrouillage pour les enfants
- Mémorisation de consigne de température de pièce
- Voyant rappelant de nettoyer le filtre à air
- Réglage pour économiser l'énergie
- Bac d'humidification
- Volets directionnels pour le flux d'air
- Ventilation directe facilement installée
- Possibilité de chauffage proportionnel variable
- Chut! Fonctionnement silencieux
- Conception moderne minimisant l'occupation au sol
- Gradateur
- Message affiché de code de défaut
- Unité de température en ° Fahrenheit ou Celsius
- Réglage de température dans la fonction minuterie
- Minuteries 1 et 2
- Abaissement (réglage de température minimale)
- Incréments de réglage de 1 °C ou 1°F

Collecteurs d'évacuation des gaz

Les calibres de collecteurs d'évacuation suivants sont disponibles pour plusieurs épaisseurs de mur.

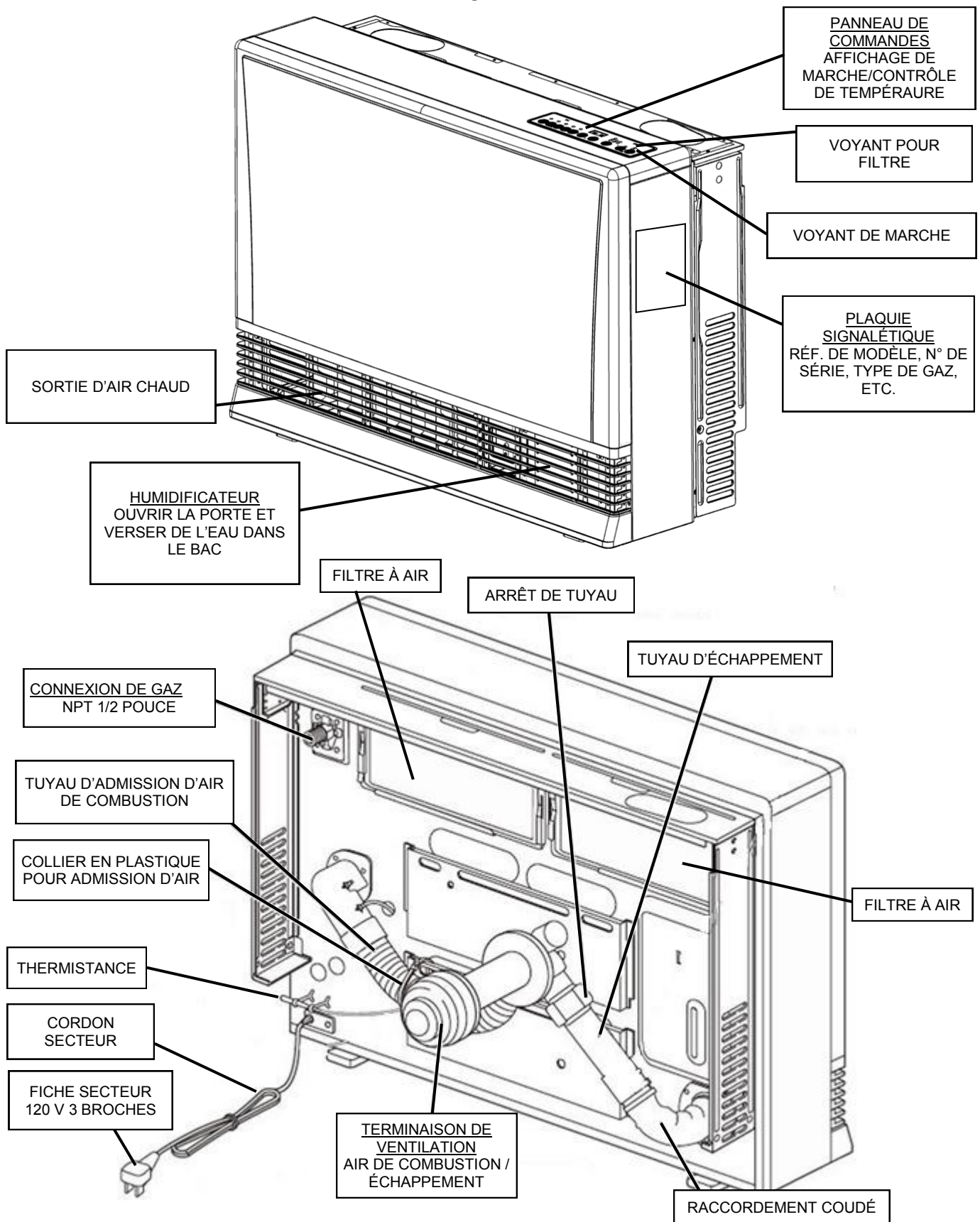


Un kit de ventilation A est livré avec l'appareil.

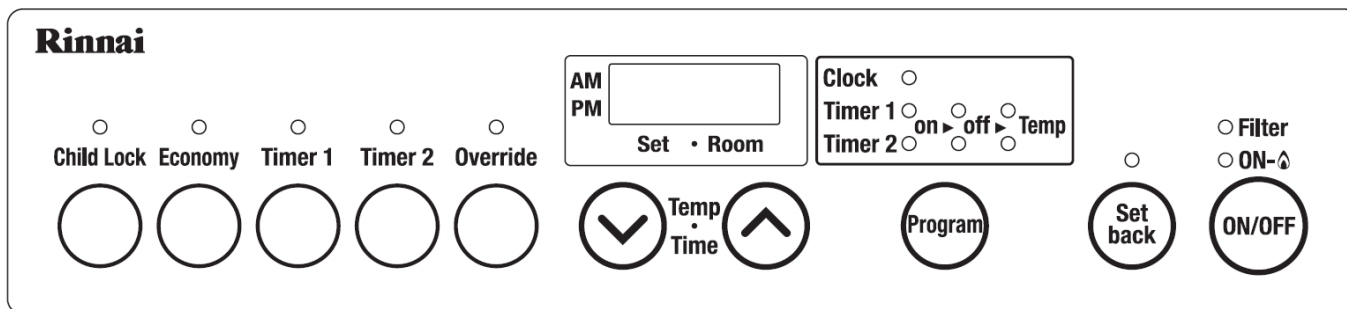
Nom	N° de kit	Pour des murs de
Kit ventil. S	FOT-150	75 - 115 mm (3 - 4 1/2 po.)
Kit ventil. A	FOT-151	115 - 240 mm (4 1/2 - 9 1/2 po.)
Kit ventil. B	FOT-152	240 - 400 mm (9 1/2 - 15 3/4 po.)
Kit ventil. C	FOT-153	400 - 600 mm (15 3/4 - 23 5/8 po.)
Kit ventil. D	FOT-154	600 - 800 mm (23 5/8 - 31 1/2 po.)

Instructions d'utilisation

Découverte de votre nouveau chauffage



Panneau de commandes



Le contrôle de température sensible permet un chauffage confortable qui répond aux conditions de la pièce.

atteindre une sensation agréable de chaleur et atteindre rapidement le point de consigne de température.

Sur la base de l'information recueillie par la thermistance de température de la pièce quand le radiateur démarre, la capacité de chauffe est automatiquement ajustée pour

Par moments la température de la pièce pourra brièvement dépasser la consigne de température du fait de la disposition de la pièce ou de la zone de chauffage.

Afficheur

Une fois que le radiateur est mis en marche et commence à fonctionner, l'afficheur va se mettre en veilleuse. Il s'éteint quand le radiateur est mis à l'arrêt. Durant la programmation des minuteries, l'afficheur va s'éteindre pendant quelques secondes après l'actionnement d'un bouton à la fin.

Fahrenheit ou Celsius (L'unité par défaut en sortie d'usine est °F)

1. Le radiateur doit être mis à l'arrêt.
2. Appuyez simultanément sur les boutons *Timer 1* et *Timer 2* pendant environ 5 secondes. L'afficheur va montrer "°C" ou "°F".
3. Utilisez une des touches flèches pour choisir l'unité d'affichage de température.
4. Appuyez sur le bouton M/A (*ON/OFF*).

Marche / Arrêt

Appuyez sur le bouton M/A (*ON/OFF*) pour démarrer le radiateur. Le voyant indicateur *ON* va s'allumer en vert. Une fois que le brûleur est activé, cet indicateur *ON* va s'éclairer en rouge. Quand le radiateur s'est échauffé, le ventilateur de convection va démarrer automatiquement.

Pour arrêter le radiateur, appuyez sur le bouton M/A (*ON/OFF*). Le voyant indicateur *ON* va s'éteindre. Le ventilateur va continuer de tourner pendant plusieurs minutes après l'extinction du brûleur de façon à refroidir le radiateur. Ne débranchez pas électriquement le radiateur pendant que son ventilateur tourne encore.



Verrouillage pour les enfants

Le verrouillage pour les enfants aide à empêcher une mise en marche inopinée de l'appareil et à éviter que des enfants ne changent ses réglages.

Pour activer ce verrouillage, appuyez sur le bouton *Child Lock*. Le voyant indicateur correspondant va s'allumer et un bip va retentir.

Pour désactiver ce verrouillage, appuyez sur *Child Lock* et maintenez le bouton enfoncé environ 2 secondes. Le voyant indicateur correspondant va s'éteindre et un bip va retentir.

- Ce verrouillage peut être activé que le radiateur soit en marche ou à l'arrêt.
- S'il est activé pendant que le radiateur est en marche, toutes les commandes autres qu'*OFF* seront verrouillées.
- S'il est activé pendant que le radiateur est à l'arrêt, toutes les commandes seront verrouillées.
- Si le radiateur est mis à l'arrêt alors que le verrouillage pour enfants était activé, il ne pourra pas être remis en marche avant que ce verrouillage soit désactivé.
- La désactivation du verrouillage rend de nouveau opérationnels les boutons de commande.

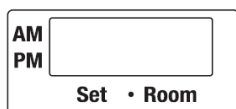
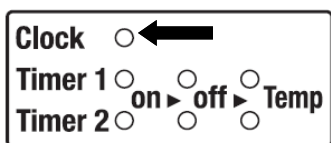


Mise à l'heure

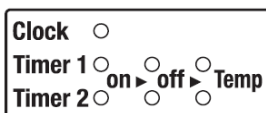
- Appuyez sur le bouton *Program*.



- Le voyant près de la légende *Clock* va clignoter. Pressez les boutons de flèche montante (*Up*) ou descendante (*Down*) pour faire progresser l'heure. Le maintien appuyé d'une de ces touches fait défiler plus rapidement l'heure.



- Appuyez sur le bouton *Program* jusqu'à ce qu'aucune des options relatives à l'heure ne clignote.

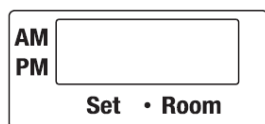


Utilisation manuelle du radiateur

- Mettez le radiateur bouton M/A (*ON/OFF*).



- Pressez les boutons de flèche montante (*Up*) ou descendante (*Down*) pour fixer la température de consigne. La partie gauche de l'affichage montre la consigne de température. La partie droite de l'affichage montre la température réelle de la pièce.



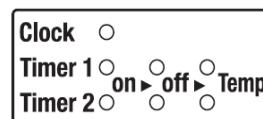
Le thermostat fait moduler automatiquement le fonctionnement du brûleur et du ventilateur pour maintenir la température autour de la consigne.

Les réglages de température disponibles sont :

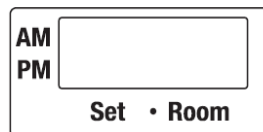
- LO – le brûleur est à combustion minimale (petit feu)
- 60°F - 80°F par incréments de un degree
- HI - le brûleur est à combustion maximale (plein feu)

Paramétrage et utilisation des minuteriers

Confirmez que l'heure de l'appareil est correcte.
REMARQUE : L'horloge sera à restaurer en cas de coupure secteur. Toutefois les minuteriers gardent leurs paramètres.



Le radiateur va démarrer avant l'heure programmée de début de façon à être opérationnel pour chauffer la pièce à l'heure prévue.



Les minuteriers peuvent être paramétrés que le radiateur soit en marche ou à l'arrêt. Pour activer la minuterie, le radiateur doit être en marche.

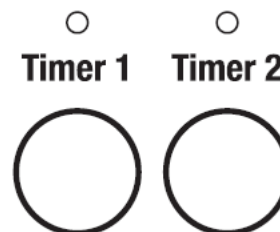


Paramétrage des minuteriers :

- Appuyez deux fois sur le bouton *Program* pour paramétrer la minuterie *Timer 1*.
- Le voyant près de la légende *Timer1 on* va clignoter. Pressez les boutons de flèche montante (*Up*) ou descendante (*Down*) pour fixer l'heure de début. Le maintien appuyé d'une de ces touches fait défiler plus rapidement l'heure.
- Appuyez de nouveau sur le bouton *Program* pour que le voyant *Timer 1 off* clignote. Pressez les boutons de flèche montante (*Up*) ou descendante (*Down*) pour fixer l'heure de fin. Le maintien appuyé d'une de ces touches fait défiler plus rapidement l'heure.
- Appuyez de nouveau sur le bouton *Program* pour que le voyant *Timer 1 Temp* clignote. Pressez les boutons de flèche montante (*Up*) ou descendante (*Down*) pour fixer la température de consigne.
- Appuyez de nouveau sur le bouton *Program* pour fixer les horaires pour le *Timer 2*. Suivez les mêmes étapes que précédemment pour définir les heures de début et de fin.
- Appuyez sur le bouton *Program* jusqu'à ce qu'aucune des options relatives à l'heure ne clignote.

Utilisation des minuteriers :

Pour faire fonctionner le radiateur en utilisant une minuterie, appuyez sur le bouton *ON/OFF* et sur celui de la minuterie choisie. Le radiateur va fonctionner entre l'heure de début et l'heure de fin que vous avez programmées. Il chauffera en fonction de la consigne de température paramétrée. La minuterie peut être paramétrée pendant que le radiateur fonctionne.



En période d'attente, le voyant *DEL* de la minuterie sera allumé en fixe. En période de fonctionnement il clignotera.

Fonction de surpassement

Cette fonction est utilisée quand le radiateur est en fonctionnement par minuterie.

Il vous permet d'ignorer le réglage de restauration de la minuterie jusqu'au début de la prochaine période de fonctionnement par minuterie.

Par exemple si le radiateur est en marche, l'appui sur le bouton Override va faire passer le radiateur à l'arrêt jusqu'à la prochaine période. Si le radiateur est à l'arrêt, l'appui sur le bouton Override va faire passer le radiateur en marche et vous permettre de sélectionner une consigne de température valide jusqu'à la prochaine période. Le radiateur restera en marche jusqu'à la prochaine période de la minuterie, ou jusqu'à ce que la fonction de surpassement soit désactivée.

En étant dans la période de surpassement activé, un nouvel appui sur le bouton Override ramènera le radiateur au mode de fonctionnement de la période de minuterie en cours.



Économie (Mode d'économie énergétique)

Le mode économique ne peut être activé que pendant que le radiateur fonctionne (en chauffage). Une fois activé il restera mémorisé dans le système jusqu'à sa désactivation.

1. Pour activer le mode de fonctionnement économique appuyez sur le bouton *Economy*. Le voyant indicateur correspondant s'allume.

- Cela restera maintenant mémorisé dans le système.
- Si l'appareil est arrêté, manuellement ou par une fin de période de la minuterie, ce voyant indicateur s'éteint.
- Si l'appareil redémarre le chauffage, cet indicateur va se rallumer.

2. Pour désactiver le mode de fonctionnement économique appuyez de nouveau sur le bouton *Economy*. Le voyant indicateur correspondant va s'éteindre.

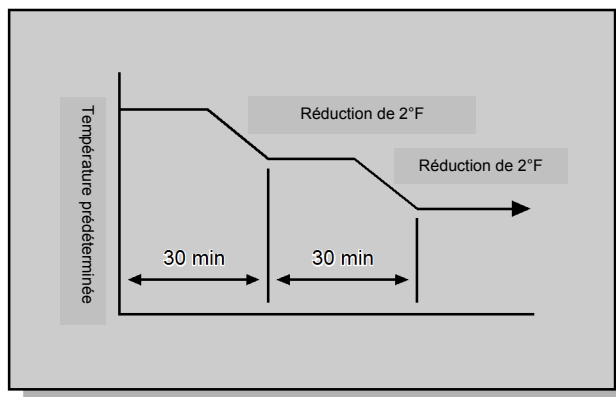
- Ce mode de fonctionnement économique ne peut être désactivé que pendant que le radiateur est en marche avec l'indicateur *Economy* allumé.



Informations sur le mode d'économie d'énergie

Une fois que la pièce aura été initialement chauffée, la température de l'air est réduite à un niveau inférieur sans affecter le confort. Le mode d'économie d'énergie réduit la température de 2°F, 30 minutes après que la température de la pièce ait atteint la consigne. Et 30 minutes plus tard, il réduit de nouveau la température de 2°F, ce qui économise effectivement de l'énergie. La consigne de température pour la pièce descend ainsi au total de 4°F.

Ce mode d'économie d'énergie ne fonctionne pas si le radiateur a une capacité sous-dimensionnée par rapport à la taille de la pièce.

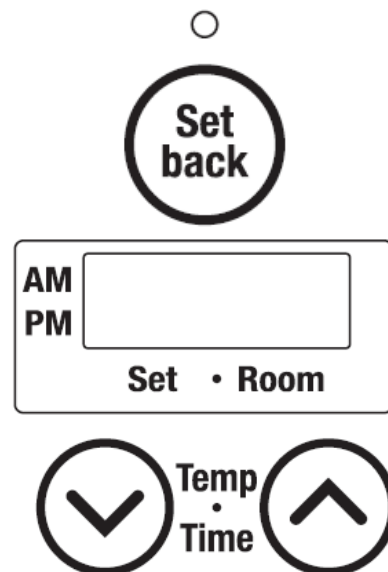


Seuil Minimal

Cette fonction *Set back* sert à déterminer une température minimale pour la pièce, entre 38 et 78F (par incréments de 1°F). Cette température doit être fixée à une valeur inférieure à la consigne de température de la pièce. Sa valeur par défaut est de 60°F. Une fois que cette fonction a été activée le radiateur commencera à chauffer dès que la température de la pièce tombe en dessous de la température minimale choisie, quelques soient les paramétrages, de minuterie ou manuels. Suivez ces étapes pour paramétrer et activer la fonction de seuil minimal :

1. Assurez-vous que le radiateur est bien arrêté.
2. Appuyez sur le bouton *Set back*. Le voyant au-dessus de ce bouton s'allume.
3. Pressez les boutons de flèche montante (*Up*) ou descendante (*Down*) pour fixer le seuil minimal de température.

Quand le voyant indicateur correspondant est allumé, la protection antigel est activée, et empêchera toujours la température de la pièce de descendre sous le seuil minimal prédéterminé (dans la mesure où les fournitures de gaz et d'électricité sont maintenues). Pour désactiver cette fonctionnalité, appuyez de nouveau sur le bouton *Set back*. Après une coupure du secteur, l'appareil va garder en mémoire si ce mode était activé ou désactivé (La fonctionnalité de seuil minimal est activé par défaut en sortie d'usine).



Humidificateur et direction de flux d'air

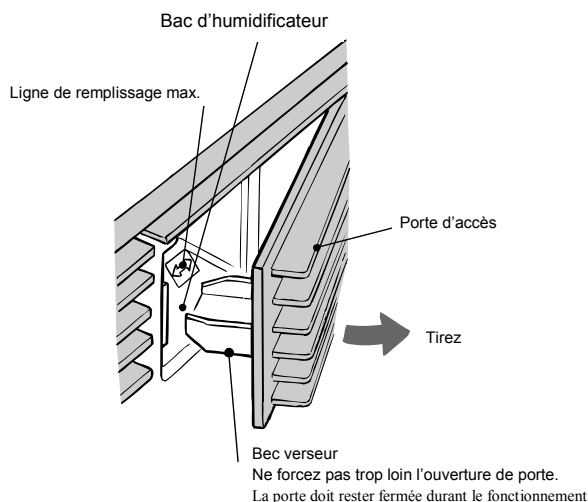
Ajout d'eau pour l'humidificateur

ATTENTION Ne remplissez pas le bac pendant que l'appareil est en marche. Refermez la porte après le remplissage. Le bac d'humidificateur et la zone environnante sont chauds quand l'appareil fonctionne.

Pour remplir le bac, ouvrez la porte comme c'est montré sur l'illustration et versez l'eau en utilisant le bec verseur intégré à la porte. L'air sera humidifié en passant au-dessus de l'eau du bac.

Durant l'opération un peu de condensation se produit dans le système d'évacuation qui se déverse dans le bac de l'humidificateur.

Si de l'eau déborde du trou du trou d'indication de niveau, cessez de verser de l'eau.



Réglage de la direction du flux d'air

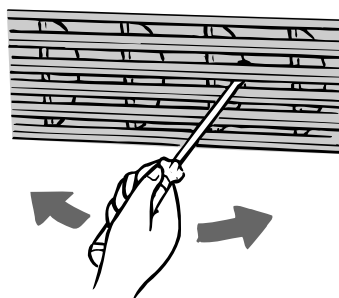
ATTENTION Ne réglez pas les volets de flux d'air pendant que de l'air chaud en sort.

Les volets verticaux peuvent être ajustés pour déplacer le flux d'air plus vers la droite ou vers la gauche.

Utilisez un tournevis ou un objet similaire pour pencher chaque volet dans la position voulue.

Ne le faites pas de façon répétée (pas plus de 5 fois) sinon le volet cassera.

Les volets horizontaux (qui déterminent la direction verticale du flux d'air) sont fixes et ne permettent pas de réglage.



Entretien et maintenance

Maintenance

Toutes les interventions de maintenance et de service doivent être menées par un technicien de service qualifié, ayant de préférence suivi les cours de formation de Rinnai sur les produits à ventilation directe.

L'appareil doit être inspecté annuellement par un technicien de service qualifié. Un nettoyage plus fréquent peut être nécessaire du fait de bourre excessive de moquette, matière de literie, etc. Il est impératif que les compartiments de commandes, les brûleurs et les passages d'air dans l'appareil soient gardés propres.

Tout écran ou protection de sécurité qui a été enlevé pendant une intervention est à remettre en place avant de remettre l'appareil en marche. Nettoyez comme ceci :

1. Mettez le radiateur à l'arrêt. Laissez-le refroidir une heure.
2. Enlevez le panneau frontal en ôtant trois vis.
3. Utilisez de l'air comprimé pour dépoussiérer le brûleur principal, l'échangeur thermique et les pales de ventilateur.
4. Utilisez un chiffon doux pour essuyer le coffret du radiateur.

N'utilisez pas de chiffon humide ni de nettoyeurs à pulvériser sur le brûleur.

La cheminée doit être examinée annuellement pour chercher d'éventuels blocages ou dommages.

Les moteurs sont lubrifiés de façon permanente et ne nécessitent pas de lubrification périodique. Cependant vous devez conserver le ventilateur et le moteur exempts de poussière et salissures, en les nettoyant tous les ans. Vérifiez le bon fonctionnement après une intervention. Quand vous refixez le panneau frontal, veillez à ne pas serrer ou pincer des cordons électriques afin d'éviter une commotion électrique.

Entretien de l'extérieur

Mouillez un chiffon doux avec de l'eau tiède. Essorez-le bien et passez-le sur l'appareil.

N'utilisez pas de substances volatiles comme du benzène ou d'autres diluants. Cela causerait une décoloration de la peinture et une déformation de la résine

ATTENTION

Évitez une accumulation de poussière sur le cordon secteur, les couvercles de côté, et les pièces derrière l'appareil.

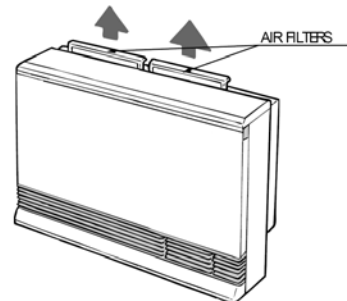
ATTENTION

Gardez la zone autour de la terminaison d'évacuation des gaz de combustion exempte de neige et de glace. L'appareil ne fonctionnera pas correctement si l'admission et l'échappement d'air sont freinés par des obstructions. Référez-vous aux dégagements prévus pour la terminaison de cheminée. Celle de la référence A doit être calculée à partir de toute accumulation de neige.

Filtres

Des filtres sales réduisent le flux d'air et la capacité de l'appareil à chauffer. Les filtres sont à nettoyer fréquemment durant la saison de chauffe. Si les filtres deviennent bloqués le voyant indicateur de filtres va clignoter le l'appareil émettra des bips. Finalement, l'appareil se coupera et le voyant 14 de niveau de température s'allumera, indiquant un code de défaut.

Pour nettoyer les filtres, l'appareil doit être arrêté et refroidi. Sortez le filtre et nettoyez-le en utilisant un chiffon doux sec ou en aspirant. Si le filtre est gras, lavez-le à l'eau savonneuse tiède, rincez-le et laissez-le sécher complètement.



N'utilisez pas l'appareil sans que ses filtres n'y soient installés.

Inspection visuelle de la flamme

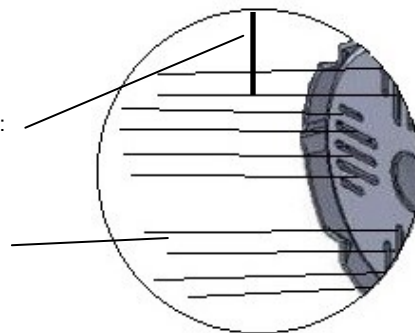
Si les filtres deviennent bloqués le voyant indicateur de filtres va clignoter le l'appareil émettra des bips. La flamme peut être vue au travers d'un œilleton.

En fonctionnement normal la flamme de brûleur apparaît comme des langues longues, dégagées, bleues et stables. Des flammes de couleur jaune et orange sont anormales, et nécessitent une intervention de maintenance.

BON

Électrode de flamme :

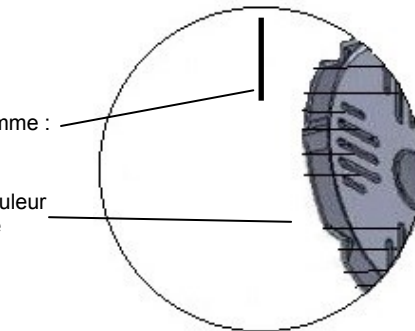
Flammes longues, dégagées, bleues, stables.



MAUVAIS

Électrode de flamme :

Flammes de couleur jaune et orange



Avant de demander une intervention

Avant d'appeler pour une intervention de service, vérifiez les points suivants :

■ À l'allumage :

Le radiateur ne fonctionne pas.	➔	Le radiateur est-il branché ? Y a-t-il un fusible grillé ou un disjoncteur qui a déclenché ? L'alimentation secteur arrive-t-elle ? Le filtre à air est-il obstrué ? Est-ce que quelque chose bloque la sortie de l'air chaud ? La cheminée d'évacuation est-elle obstruée ?
De l'air chaud ne sort pas quand le brûleur s'allume.	➔	Le ventilateur est activé automatiquement après un court délai. Le but est de laisser l'échangeur thermique s'échauffer, pour éviter l'envoi au début d'air froid.
De la fumée ou des odeurs bizarres sont produites à la première mise en marche après l'installation.	➔	C'est dû à de la graisse, de l'huile et de la poussière sur l'échangeur thermique, et cessera rapidement.
Bruits de cliquettements secs à l'allumage, ou quand l'appareil se désactive par le thermostat ou est mis à l'arrêt.	➔	Il s'agit simplement du bruit de dilatation/compression à l'échangeur thermique.

■ Durant la combustion:

Bruit sourd quand le thermostat agit.	➔	C'est le son produit par l'électrovanne de gaz s'ouvrant et se fermant.
Le radiateur ne chauffe pas la pièce.	➔	Le filtre à air est-il obstrué ? La température de consigne est-elle assez élevée ? La sortie d'air chaud est-elle bloquée par quelque chose ? Les portes et fenêtres de la pièce sont-elles bien fermées ? L'appareil est-il bien dimensionné pour la pièce à chauffer ?
Le filtre à air est bouché ou les volets sont bloqués ou obstrués.	➔	Laissez le radiateur refroidir, nettoyez le filtre, remettez en marche.
Le radiateur ne se rallume pas après une surchauffe.	➔	Si après son refroidissement le radiateur ne se rallume plus, une réparation est nécessaire. Contactez un fournisseur de service qualifié et agréé.

■ Quand l'appareil est mis à l'arrêt.

Le ventilateur de convection continue de souffler après la mise à l'arrêt.	➔	C'est prévu pour évacuer la chaleur résiduelle de l'échangeur thermique. Le ventilateur s'arrête une fois que le radiateur a refroidi.
--	---	---

■ Autres points :

De la vapeur s'échappe de la terminaison de cheminée.	➔	Les appareils à grande efficacité ont tendance à générer de la vapeur par temps froid. C'est un phénomène normal.
L'appareil se coupe sans raison apparente.	➔	Contrôlez si des filtres sont obstrués. Des filtres sales peuvent causer une surchauffe du radiateur.

Codes de défauts

En cas de dysfonctionnement l'appareil peut se couper comme précaution de sécurité, et afficher un code de défaut pour aider à diagnostiquer le problème. Le code de défaut va clignoter dans l'afficheur du panneau de commandes. Quand vous appelez pour une intervention de service, ce code aidera à cataloguer le défaut.

Vous avez la possibilité d'effacer le code de défaut en arrêtant le radiateur puis en le remettant en marche. Si le code de défaut persiste ou réapparaît au fonctionnement suivant, contactez Rinnai ou votre agent de service le plus proche pour planifier une intervention de service.

CODE AFFICHÉ	DÉFAUT	REMÈDE
11 [3]	Panne d'allumage	Contrôlez que du gaz est bien envoyé. Contrôlez que la terminaison de ventilation n'est pas obstruée. Reportez-vous à l'explication de la fonction de redémarrage. Demandez une intervention de service si le problème persiste.
14	Surchauffe	Nettoyez le filtre. Demandez une intervention de service si le problème persiste. [1]
16	Surchauffe de la pièce	Abaissez la consigne de température de la pièce à moins de 40 °C (104°F).
30	Déconnexion du capteur de température de surchauffe (circuit ouvert)	Demande d'intervention de service
31	Déconnexion du capteur de température de la pièce (circuit ouvert)	
32	Court-circuit au capteur de température de la pièce	
33	Déconnexion du capteur de température de surchauffe (circuit ouvert)	
34	Court-circuit au capteur de température de surchauffe	
35	Court-circuit au capteur de température de surchauffe	
49	Panne de capteur	
53	Panne du générateur d'étincelles	
61	Panne du ventilateur de combustion	
62	Panne du ventilateur de convection	
70	Panne de commande <i>ON/OFF</i> ou <i>Set Back</i>	
71	Panne de solénoïdes	
72	Panne d'électrode de flamme	
73	Erreur de communication	Arrêtez le radiateur et remettez-le en marche.
81	Panne d'électrovanne	Demande d'intervention de service
99	Bloc de cheminée	Cherchez un blocage autour de la terminaison de cheminée. [2]

[1] Si le thermo-fusible est à remplacer, cela doit être fait par une agence de service qualifiée. De plus, la cause de la surchauffe d'origine doit être déterminée. Ce thermo-fusible est un composant de sécurité qui ne sert qu'une fois en se coupant pour arrêter l'appareil.

[2] Dégagez toutes les obstructions. La cheminée doit être maintenue dégagée pour la sortie des gaz d'évacuation. Si l'appareil ne fonctionne plus contactez une agence de service qualifiée.

[3] Seul ce code est en veilleuse.

Fonction de redémarrage

S'il y a une coupure du secteur pendant le fonctionnement de l'appareil, il redémarrera automatiquement quand l'alimentation secteur est rétablie.

Si l'appareil n'arrive pas à s'allumer, il lancera une nouvelle tentative d'allumage après 1 heure. Le code de défaut 11 de panne d'allumage apparaîtra pendant cette heure et disparaîtra si le nouvel allumage est réussi. Si l'allumage ne se fait pas de nouveau, le code de défaut restera et une nouvelle tentative d'allumage aura lieu 1 heure après. Ce code de défaut n'est pas mémorisé dans l'historique des défauts.

Si la flamme s'éteint durant la combustion forcée, l'appareil essaiera un nouvel allumage après 1 heure. Le code de défaut 11 de panne d'allumage apparaîtra pendant cette heure et disparaîtra si le nouvel allumage est réussi. La combustion forcée débute 40 à 80 secondes après l'allumage. Après ce délai la logique de contrôle de température gère la combustion. Si la flamme s'éteint (panne de combustion au brûleur) pendant que la logique de contrôle de combustion est active, l'appareil relancera aussitôt un allumage. Aucun code de défaut n'apparaîtra.

En résumé, si l'allumage ne se fait pas ou si la flamme s'éteint durant la combustion forcée l'appareil essaiera un nouvel allumage après 1 heure. Si la flamme s'éteint après cette période alors l'appareil lance aussitôt un nouvel allumage.

Dépannage

Cause	Problème							Remède
	Pas d'indicateur ON	Le brûleur ne s'allume pas	Combustion anormale	Arrêt de combustion durant la marche	Odeur de gaz	Allumage bruyant	Chauffage de la pièce prenant trop de temps	
Appareil non branché	●	●						Brancher électriquement
Panne secteur	●	●		●				Appuyer sur le bouton <i>ON/OFF</i> pour tenter un redémarrage après le retour du secteur
(installation initiale) Air dans le tuyau de gaz		●						Purger l'air (installateur)
Filtre à gaz obstrué		●	●				●	Demande d'intervention de service
Ratage d'allumage	●	●						Demande d'intervention de service
Terminaison de cheminée obstruée			●	●		●		Dégager l'obstruction
Collecteur de cheminée pas connecté					●	●		Demande d'intervention de service
Volets obstrués				●			●	Dégager l'obstruction
Filtre à air encrassé				●			●	Nettoyer le filtre
Fuite de gaz					●			Demande d'intervention de service
Verrouillage pour enfants activé		●						Désactiver le verrouillage
Arrivée de gaz coupée en amont au compteur, au réservoir ou à la vanne		●						Rétablir l'arrivée de gaz
Minuterie activée		●						Désactiver la minuterie ou appuyer sur le bouton de surpassement (<i>Override</i>)

Instructions d'installation

Instructions générales



AVERTISSEMENT

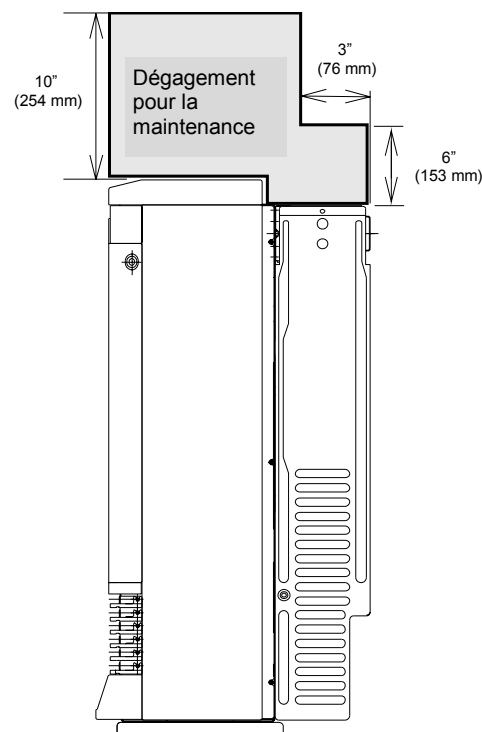
N'utilisez pas de matériel de substitution.

N'utilisez que des pièces certifiées pour aller avec l'appareil.

AVIS

Si l'installation est à un endroit plus haut que 2 001 pieds (610 m), suivez la procédure d'ajustement des paramètres de pression de gaz. Les valeurs de puissance d'entrée sont basées sur le niveau de la mer, et ne doivent être changées jusqu'à une altitude de 2 000 pieds (610 m).

- Un technicien de service qualifié doit installer l'appareil et l'inspecter avant son utilisation.
- Si vous déménagez, contrôlez le type de gaz de votre nouvelle région. La régie locale de fourniture de gaz pourra vous renseigner sur les réglementations locales.
- L'installation doit se faire en conformité avec les normes locales, ou à défaut, avec la *norme américaine sur le gaz combustible, ANSI Z223.1/NFPA 54*, ou la *norme canadienne sur les installations au gaz naturel et au propane, CSA B149.1*.
- Une installation dans une maison préfabriquée (USA uniquement) ou une maison mobile de constructeur doit se faire en conformité avec la norme de *Construction et sécurité des maisons préfabriquées, Title 24 CFR, Part 3280*, ou quand cette norme n'est pas applicable avec les normes pour *Installations de maisons préfabriquées, ANSI Z225.1*, ou la norme pour *Véhicules de loisirs et maisons mobiles équipées au gaz, CSA Z240.4*.
- L'appareil une fois installé doit être relié électriquement à la terre en conformité avec les normes locales, ou à défaut, avec la *norme américaine électrique, ANSI/NFPA 70*, ou la *norme canadienne électrique, CSA C22.1*.
- L'appareil et sa vanne de gaz d'alimentation devront être débranchés du système de conduite d'alimentation en gaz durant tout test de pression de ce système au-delà de 1/2 psi (3,5 kPa).
- L'appareil devra être isolé du système de conduite d'alimentation en gaz en fermant sa vanne de coupure manuelle d'alimentation pour tout test de pression de ce système en dessous de 1/2 psi (3,5 kPa).
- Si le sol est recouvert de moquette, carrelage ou tout autre matériau combustible autre que le bois, l'appareil peut être installé sur panneau de métal ou de bois dépassant de la largeur et de la profondeur de l'appareil.
- Cet appareil envoie un gros volume d'air chaud près du niveau du sol. Toutes les particules dans l'air, comme de la fumée de cigarette, peuvent causer une décoloration des moquettes en nylon contenant des colorants ou des surfaces en vinyle.
- Cet appareil n'est pas conçu pour être intégré.
- Cet appareil ne doit être utilisé qu'avec le type de gaz indiqué sur sa plaque signalétique. Il n'est pas convertible pour une utilisation avec d'autres gaz, sauf en cas d'utilisation d'un kit de conversion certifié. Si une conversion de l'appareil est nécessaire, il faut la faire exécuter par un prestataire de service qualifié, aux frais du propriétaire.
- Cet appareil ne doit pas être connecté sur une cheminée desservant un autre appareil brûlant du combustible solide.
- Rinnai recommande d'utiliser un circuit d'alimentation secteur dédié, 120 V/60 Hz, pouvant fournir 10 ampères.
- Une prise pour test de pression est prévue pour vérifier la pression différentielle au collecteur. Elle est située sur la vanne de gaz modulante.
- L'appareil doit être correctement calibré pour le volume devant être chauffé. Il est recommandé qu'un calcul de perte de chaleur en BTU selon la norme industrielle soit effectué pour déterminer le calibre correct de radiateur.
- Suivez les instructions d'installation et celles d'entretien et maintenance pour que l'arrivée d'air de combustion et de ventilation soit adéquate. Le flux d'air de combustion et de ventilation ne doit pas être obstrué.
- Les dégagements pour accéder à l'appareil durant les interventions sont de 254 mm (10 po.) sur les côtés et de 1 m (40 po.) sur l'avant, plus la zone montrée matérialisée en grisé au-dessus de l'appareil.



Branchement du gaz



AVERTISSEMENT

Quand vous branchez la vanne de gaz ou d'autres composants sur la conduite de gaz, utilisez une clé de maintien pour assurer un bon serrage étanche.

- La conduite d'alimentation au gaz doit être étanche, du bon calibre, et installée de façon à fournir assez de gaz pour satisfaire la demande maximale du radiateur sans perte de pression.
- Une vanne de coupure en amont sur la conduite et une vanne sur le connecteur de l'appareil sont à installer pour permettre les interventions.
- Le tuyau flexible et toute vanne sur connecteur du radiateur utilisés doivent être de types approuvés par les agences nationales ayant autorité.
- Tout composé utilisé sur un joint fileté de tuyauterie de gaz doit être d'un type qui résiste à l'action du gaz de pétrole liquéfié (propane / LPG).
- Après la réalisation des connexions de tuyauterie de gaz, tous les joints dont ceux du radiateur doivent avoir leur étanchéité au gaz vérifiée, au moyen d'une solution pour détection des fuites, eau savonneuse ou une solution équivalent ininflammable, selon la disponibilité (Comme certaines solutions de test de fuite, incluant l'eau savonneuse, peuvent causer de la corrosion ou de la fissuration sous contrainte, les conduites sont à rincer à l'eau après le test, sauf s'il a été déterminé que la solution pour chercher des fuites n'est pas corrosive).
- Contrôlez la pression de l'alimentation en gaz immédiatement en amont à un endroit fourni par la régie du gaz. La pression du gaz fourni doit être dans les limites montrées dans la section Spécifications.
- Référez-vous au tableau de calibre de tube approuvé si vous avez un doute sur la taille de la conduite de gaz.
- Installez une vanne de coupure manuelle du gaz qui soit à un endroit restant facilement accessible. Ne la masquez pas derrière un cache.

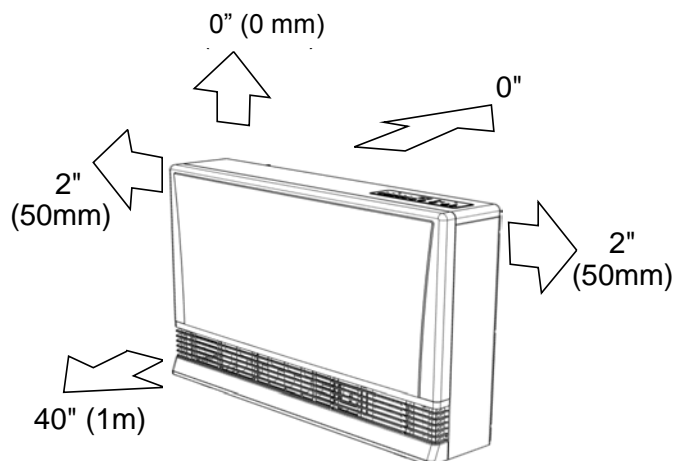
Dégagements par rapport aux combustibles

Au moment de la détermination de l'endroit d'installation de l'appareil, les dégagements par rapport aux combustibles montrés sur la figure ci-contre sont à respecter. Référez-vous également à la section sur les Comportements et pratiques de sécurité.

Rinnai recommande un dégagement de 254 mm (10 po.) à partir du dessus et des deux côtés pour les interventions de service.

AVIS

Le dégagement de 1 m (40 po.) depuis l'avant de l'appareil ne tient pas compte du matériau de sol ou de la moquette faisant moins de 30 mm (1,2 po.) de hauteur.



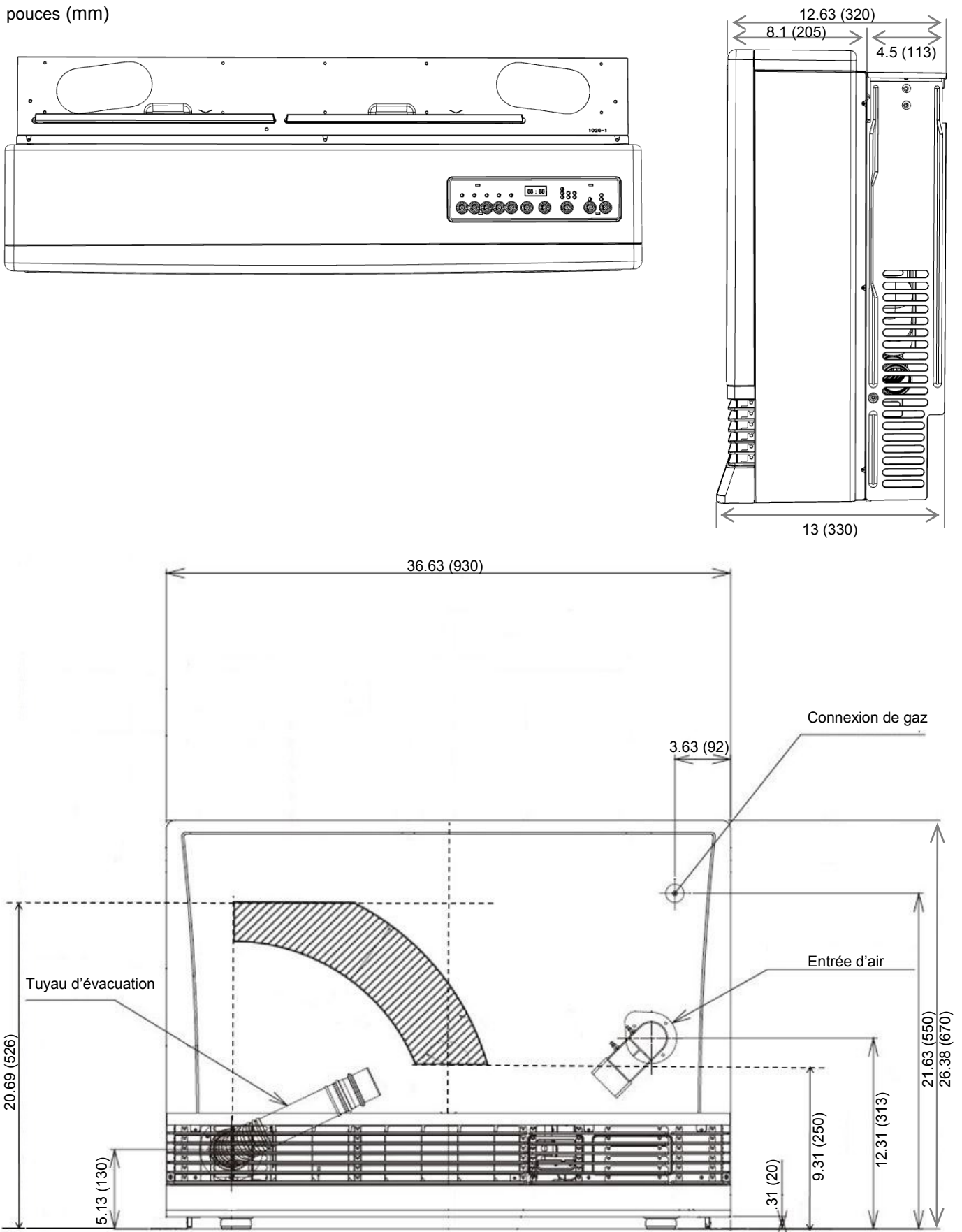
Dégagements de sortie d'évacuation

Réf.	Description	Installations canadiennes	Installations américaines
A	Dégagement au-dessus de niveau du sol, véranda, porche, plate-forme ou balcon (prenez en compte le niveau prévu de neige)	12 po. (30 cm)	12 po. (30 cm)
B	Dégagement par rapport à porte ou fenêtre pouvant être ouverte	12 po. (30 cm)	12 pouces (23 cm)
C	Dégagement par rapport à une fenêtre restant fermée en permanence	*	*
D	Dégagement vertical par rapport à un soffite ventilé, situé au-dessus de la terminaison à une distance horizontale de moins de 2 pieds (60 cm) de l'axe de cette terminaison	*	*
E	Dégagement par rapport à un soffite non ventilé	*	*
F	Dégagement par rapport à un angle sortant	*	*
G	Dégagement par rapport à un angle rentrant	20 po. (50 cm)	20 po. (50 cm)
H	Dégagement par rapport à une ligne centrale prolongée au-dessus de l'ensemble de compteur/régulateur	3 pieds (91 cm) dans une hauteur de 15 pieds (4,5 m) au-dessus d'un ensemble de compteur/régulateur	*
I	Dégagement par rapport à la sortie de ventilation d'un régulateur de service	3 pieds. (91 cm)	*
J	Écartement par rapport à une admission d'air non -mécanique dans le bâtiment, ou l'arrivée d'air de combustion vers un autre appareil	12 po. (30 cm)	9 po. (23 cm)
K	Dégagement par rapport à une admission d'air mécanique	6 pieds (183 cm)	3 pieds (91 cm) au-dessus si à moins de 10 pieds (3 m) horizontalement
L	Dégagement au-dessus de passage ou de trottoir pavé appartenant au domaine public	7 pieds (2,13 m) (1)	*
M	Dégagement par-dessus véranda, porche, plate-forme ou balcon	12 po. (30 cm) du non inflammable (2) 24 po. (60 cm) de l'inflammable (2)	12 po. (30 cm) du non inflammable (2) 24 po. (60 cm) de l'inflammable (2)

- ① Une ventilation ne doit pas se terminer directement au-dessus d'un trottoir ou d'une voie de circulation pavée qui serait située entre deux constructions familiales et desservant les deux.
- ② Autorisé seulement si les véranda, porche, plate-forme ou balcon ont une complète ouverture au moins sur deux côtés en-dessous de l'étage.
- * Pour des dégagements non spécifiés dans *ANSI Z223.1/NFPA 54* ou *CSA B149.1*, ils devront être en conformité avec les normes locales d'installation et les exigences du fournisseur de gaz.

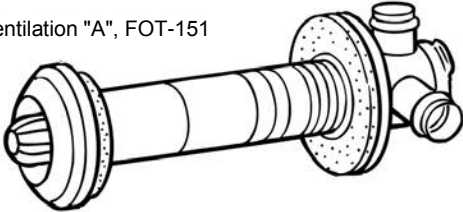

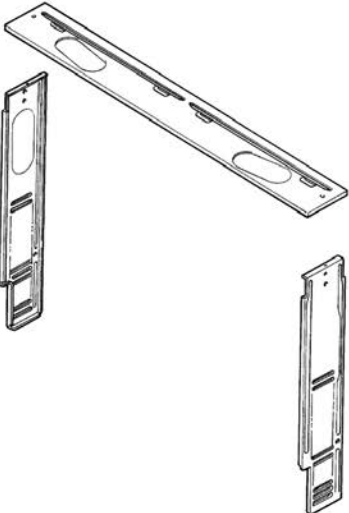








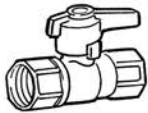
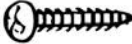
Dimensions

pouces (mm)



Pièces d'installation

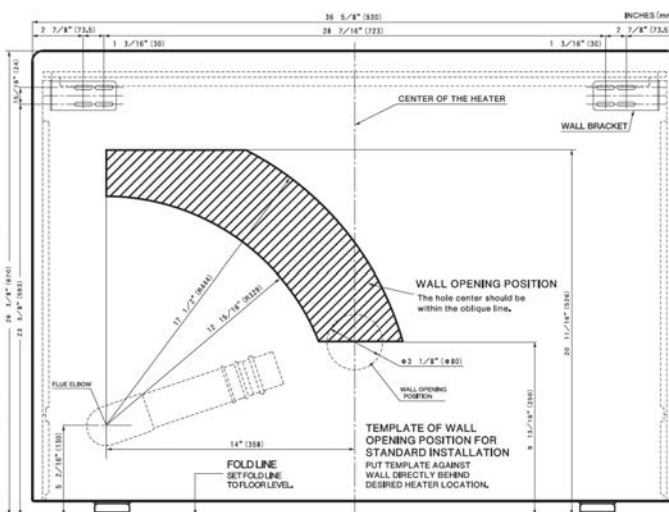
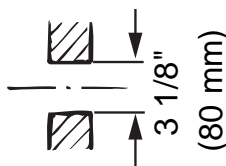
Les articles suivants sont livrés avec l'appareil :

<p>Collecteur de cheminée1</p> <p>Kit de ventilation "A", FOT-151</p> 		<p>Joint caoutchouc de rechange1 (Appareils avec ventilation "A" uniquement)</p>  <p>(Pour installations avec bardage)</p>		
<p>Jeu pour espacement arrière</p> 	<p>1</p>	<p>Supports muraux</p> 	<p>2</p>	
		<p>Collier d'isolation</p> 	<p>1</p>	
		<p>Attache plastique pour entrée d'air</p> 	<p>1</p>	
		<p>(M4)</p>  <p>Vis espacement arrière</p>	<p>7</p>	
<p>Adaptateur de cheminée (Attaché à l'unité)</p> 	<p>1</p>	<p>(M5)</p>  <p>Vis pour supports muraux</p>	<p>4</p>	
<p>Arrêt de tuyau A&S</p> 	<p>2</p>	<p>(M4)</p>  <p>Vis pour collecteur de cheminée</p>	<p>3</p>	
<p>Vanne manuelle</p> 	<p>1</p>	<p>Vis à bois (M4, 8x32)</p>  <p>Vis pour supports muraux</p>	<p>7</p>	
<p>Manuel d'utilisation</p>		<p>1</p>	<p>Gabarit (sur la boîte)</p>	<p>1</p>

Perçage du trou de cheminée

Assurez-vous de l'absence de conduites de gaz ou d'eau, ou de circuits électriques, à l'endroit du mur où le trou de cheminée doit être percé. Percez ce trou en utilisant une perceuse pour 80 mm (3-1/8 po.). Un gabarit est fourni sur le carton/la boîte d'emballage de l'appareil. Le centre du trou peut être placé n'importe où dans la zone hachurée, sauf si des kits d'extension sont utilisés. Consultez le diagramme des dimensions. Pour des murs avec bardage, percez le centre depuis le bardage extérieur d'abord, puis au travers du panneau de gypse.

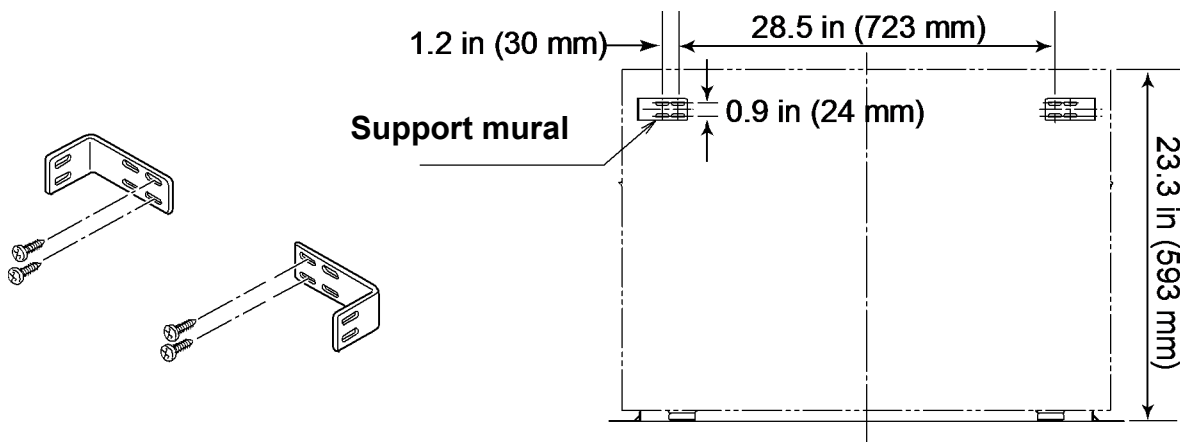
Trou de cheminée



Un gabarit est fourni sur le carton/la boîte d'emballage de l'appareil.

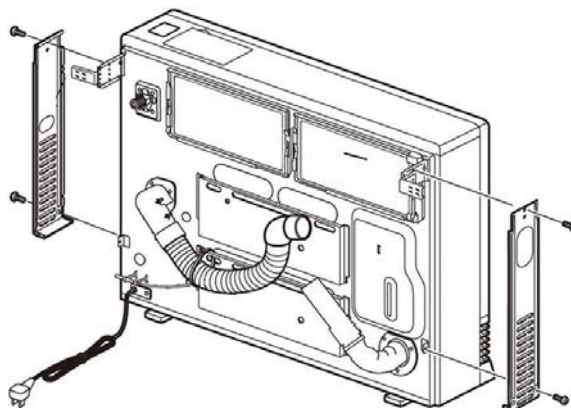
Fixation des supports muraux

Fixez les supports muraux comme c'est montré. Un gabarit est fourni.



Fixation des calages arrière

Fixez les calages arrière des deux côtés de l'appareil avec 2 vis chacun.



Installation du collecteur de cheminée

- Le collecteur de cheminée doit sortir sur l'extérieur. N'évacuez pas dans d'autres pièces;
- Le collecteur de cheminée n'est pas conçu pour être positionné sous des planchers ou plus bas que le radiateur.
- La terminaison ne peut pas être verticale.
- L'appareil ne peut être utilisé qu'avec l'un des cinq types de kit de cheminée Rinnai. Ces kits de cheminée et leurs dimensions sont listés en page précédente.
- Référez-vous aux dégagements prévus pour la terminaison de cheminée.

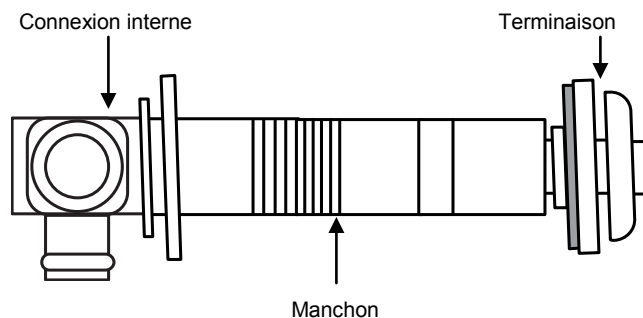
1. Démontez le collecteur de cheminée.

La cheminée est constituée de 3 parties :

- manchon
- connexion interne
- connexion externe

Procédez au démontage en commençant par extraire la connexion interne. Pour enlever la terminaison extérieure tirez et relâchez les deux fixations internes et sortez-la alors.

Le dégagement par rapport à des combustibles pour le manchon et les brides est nul.



2. Réglez la longueur du manchon.

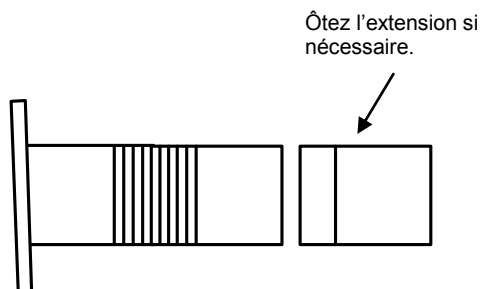
Mesurez l'épaisseur du mur au travers du trou de 80 mm (3-1/8 po.) précédemment percé.

L'extrémité du manchon doit dépasser de 5-10 mm (3/16-3/8 po.) de l'extérieur du mur.

Le manchon est fileté pour l'ajustement. Adaptez la longueur du manchon à l'épaisseur du mur plus 5-10 mm (3/16-3/8 po.).

REMARQUE : N'étendez pas au-delà de la ligne rouge.

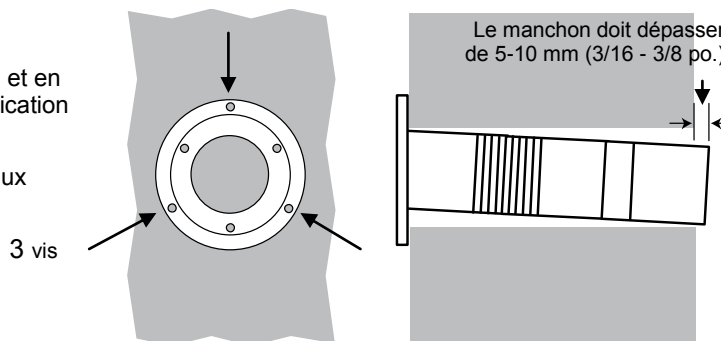
Pour un collecteur de cheminée autre que le type "S", si une longueur plus petite est nécessaire une extension peut être ôtée. Coupez le plastique et ôtez l'extension.



3. Fixez le manchon

Fixez sur l'intérieur du mur en utilisant 3 vis et en positionnant la bride de façon à ce que l'indication "TOP" soit vers le haut.

La bride est inclinée de 2° pour permettre aux condensats de couler vers l'extérieur.

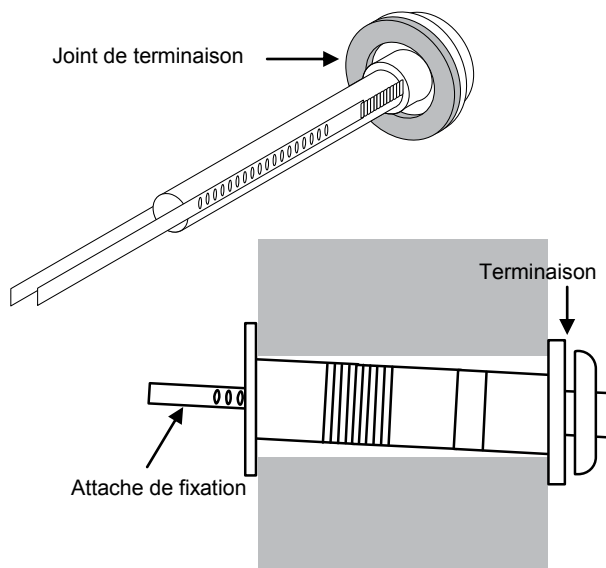


Installation du collecteur de cheminée

4. Installez la terminaison

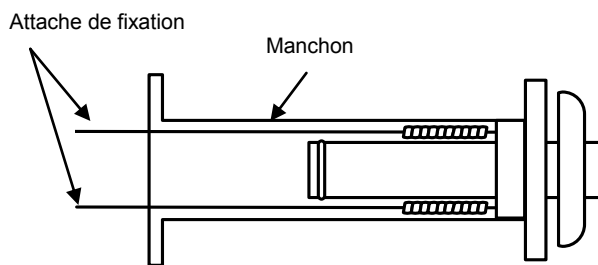
Contrôlez que le joint de terminaison est en place. Pour des murs avec bardage, ajoutez un deuxième joint près du premier pour compenser l'angle de bardage.

Depuis l'extérieur insérez la terminaison dans le manchon en gardant le marquage "TOP" vers le haut. L'attache de fixation de côté gauche doit être marquée "LEFT".



6. Ferlez les attaches :

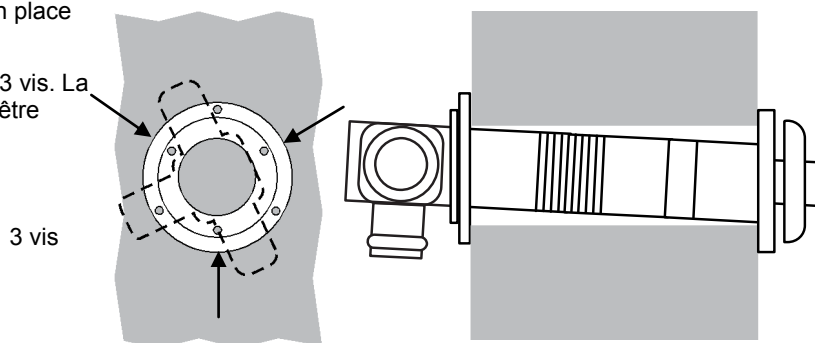
En tirant fort sur les attaches de gauche et de droite, accrochez-les sur les crans à l'intérieur du manchon. Vous devez pouvoir tirer les attaches de 2 ou 3 crans après le point de départ. Coupez le bout des attaches, en ne laissant qu'environ 20 mm (3/4 po.) après le cran. Repliez les attaches dans les manchons parallèlement au mur.



7. Insérez l'ensemble de connexion intérieure :

Poussez l'ensemble dans le tube de terminaison, en vous assurant que le joint est en place dans sur tube intérieur.

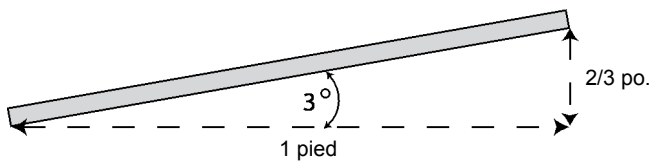
Fixez la connexion intérieure avec 3 vis. La connexion intérieure peut toujours être tournée pour installer les vis.



Installation de kits d'extension

Si nécessaire, des kits d'extension sont disponibles pour prolonger la conduite d'évacuation et le tuyau d'admission d'air entre le collecteur et l'appareil. La longueur maximale de ventilation est de 4 m (13 pieds) avec 2 courbures. Le tuyau coudé fixé à l'appareil ne compte pas pour la limite imposée de 3 courbures.

Les sections horizontales doivent être en pente de 3° pour drainer les condensats (3° représente une descente de 2/3 po. par pied de ventilation). La pente doit être vers l'extérieur (si les normes locales le permettent) ou vers l'appareil. Ne permettez aucun point bas dans la conduite d'évacuation où des condensats pourraient s'accumuler.



Inclinez les sections horizontales de 3° (3/3 po. par pied).

Des extensions de ventilation en espace sans air conditionné doivent être installées avec une isolation pour température élevée, et doivent être accessibles.

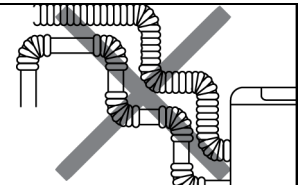
Les extensions de ventilation ne peuvent pas être dissimulées selon NFPA 54 et doivent rester accessibles pour permettre inspection et réparation. Des caches décoratifs sont disponibles chez Rinnai.

REMARQUE

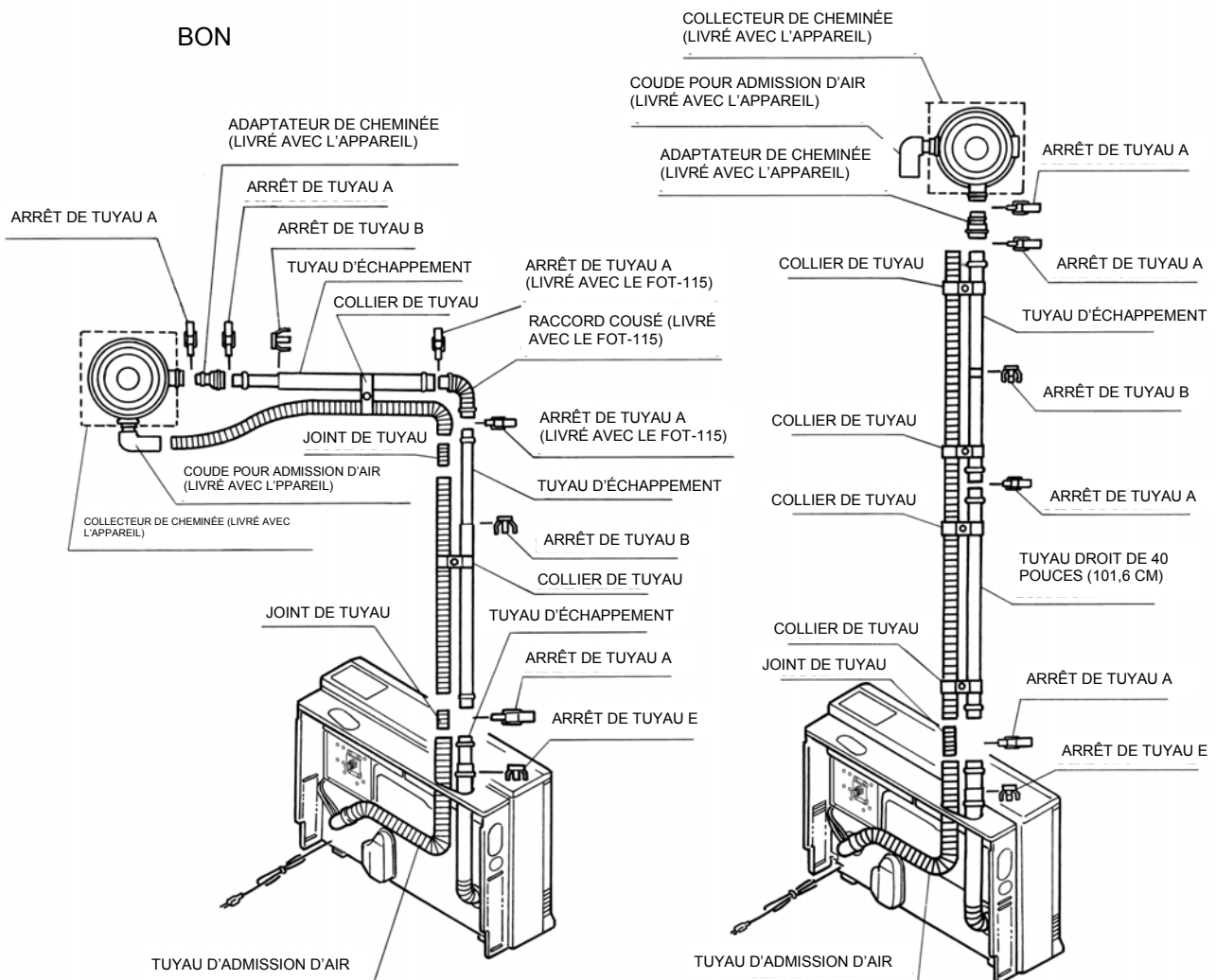
L'EX38C peut supporter deux configurations de longueur de ventilation :
 Ventilation courte : 0 – 7 pieds (0-213 cm) + 1 coude
 Ventilation longue : 7 pieds (213 cm) + 1 coude – 13 pieds (396 cm) + 2 coudes

MAUVAIS

- Trop de courbures (la limite est 2)
- Le tuyau d'admission d'air est au-dessus du tuyau d'échappement



BON



Installation du kit d'extension



ATTENTION

Utilisez des arrêts de tuyau, des connecteurs, des colliers et des vis selon ces instructions de façon à assurer une absence de fuite sur les tuyaux d'échappement.

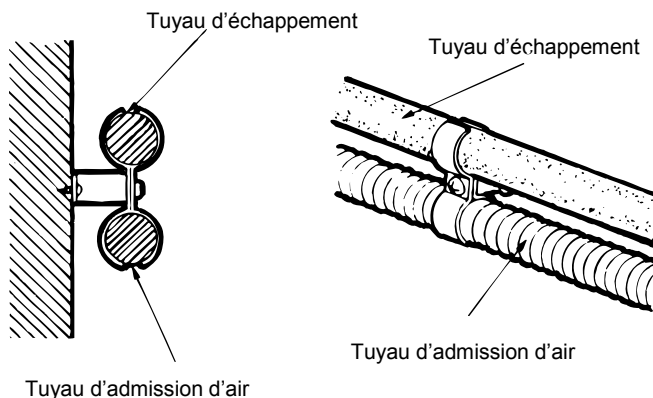
Dégagements

Tuyau d'échappement à des combustibles	25.4 mm (1inch)
Tuyau d'échappement à des non combustibles	zéro

Colliers

La conduite d'échappement ainsi que le tuyau d'admission d'air sont supportés par des colliers qui sont fixés au mur. Une fixation murale peut être utilisée pour décaler le collier du mur. Utilisez une vis B pour fixer le support au mur. Si le support mural n'est pas utilisé, servez-vous de cette vis A et de l'écrou pour fixer le collier directement au mur.

Le tuyau d'admission d'air doit toujours être en dessous de la conduite d'échappement, pour qu'en cas d'affaissement du tuyau d'admission d'air il ne vienne pas en contact avec la conduite d'échappement.



Installation de la conduite d'échappement

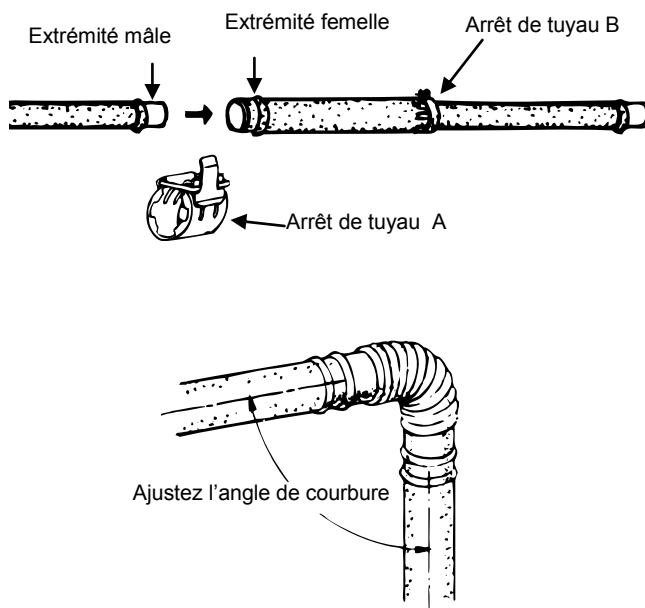
La conduite d'échappement est connectée entre le raccord coudé à l'arrière du radiateur et le port d'échappement sur le collecteur de cheminée.

Pour connecter des tuyaux d'échappement avec soit du tuyau droit soit des coudes, raccordez l'extrémité mâle dans l'extrémité femelle. Utilisez un arrêt de tuyau A pour serrer la connexion.

Utilisez un arrêt de tuyau B pour fixer les tuyaux d'échappement à la longueur voulue. N'étendez pas ces tuyaux au-delà de la ligne rouge.

Ne coupez pas le tuyau d'échappement. Utilisez des tuyaux à longueur réglable si nécessaires.

Pour former le coude, insérez les tuyaux d'échappement dedans à chaque extrémité pour avoir plus de force. Ne cherchez pas à redresser le raccord coudé en sortie de l'appareil.

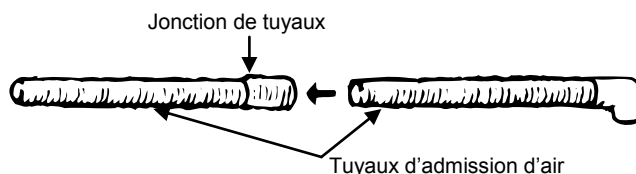


Connexion du tuyau d'admission d'air

Le tuyau d'admission d'air est connecté entre l'entrée d'air à l'arrière du radiateur et le port d'admission d'air sur le collecteur de cheminée.

Poussez le tuyau d'admission d'air dans le collecteur de cheminée et fixez avec l'attache de serrage en plastique. Faites la jonction de tuyaux d'admission d'air en vissant la jonction pour tuyaux sur la moitié de sa longueur dans un tuyau, et sur l'autre moitié dans un deuxième tuyau.

Les longueurs de conduite d'échappement et de tuyau d'admission d'air doivent être égales de façon à ce que l'appareil fonctionne correctement. Le tuyau peut être coupé à la longueur voulue. Ébavurées les extrémités irrégulières. Ne coupez pas le tuyau fixé à l'appareil. Supportez le tuyau d'admission d'air avec des colliers pour tuyau.

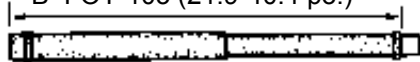


AVIS

Ne coupez pas le tuyau d'admission d'air. Cela pourrait générer du bruit.

Installation du kit d'extension

A FOT-102 (12.2-21.1 po.)
B FOT-103 (21.9-40.4 po.)



① TUYAU D'ÉCHAPPEMENT

Kits d'extension et pièces



⑥ ARRÊT DE TUYAU A



⑨ COLLIER DE TUYAU



⑫ VIS A



② TUYAU D'ÉCHAPPEMENT (DROIT) DE 40 PO.



⑦ ARRÊT DE TUYAU B

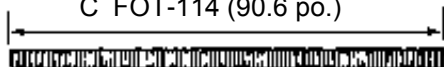


⑩ SUPPORT MURAL



⑬ VIS B

A FOT-102 (21.1 po.)
B FOT-103 (51.2 po.)
C FOT-114 (90.6 po.)



③ TUYAU D'ADMISSION D'AIR



⑧ ARRÊT DE HAUT



⑪ ÉCROU



④ RACCORD COUDÉ

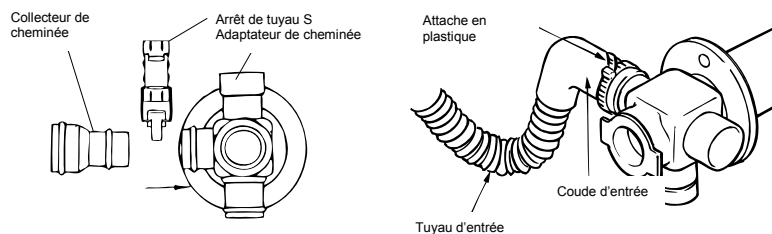


⑤ JONCTION DE TUYAUX

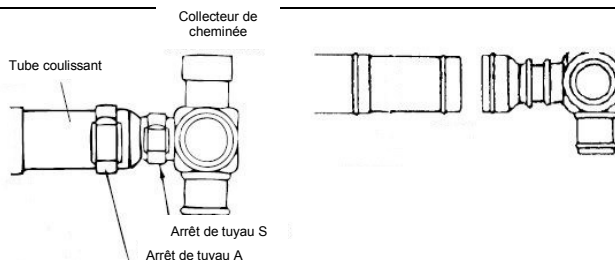
Article	Description	N° de pièce	FOT-102	FOT-103	FOT-114	FOT-115
1	Tuyau d'échappement (réglable) 12,2-21,1 po (311-536 mm)	FOT 111-1	1			
1	Tuyau d'échappement (réglable) 21,9-40,4 po. (556-1026 mm)	FOT 112-1		1	1	
2	Tuyau d'échappement - 39,4 po. (1 000 mm)	FOT 114-3			1	
3	Tuyau d'admission d'air – 29,5 po. (750 mm)	RHF 1000-130-e	1			
3	Tuyau d'admission d'air – 51,2 po. (1.3 m)	RHF 1000-130-b		1		
3	Tuyau d'admission d'air – 90,6 po. (2.3 m)	RHF 1000-130-f			1	
4	Raccord coudé	FOT 025-4				1
5	Jonction de tuyaux	RFOT 226-001	1	1	1	
6	Arrêt de tuyau A	1001F-250	1	1	2	2
7	Arrêt de tuyau B	FOT 111-6	1	1	1	
8	Arrêt de haut	FOT 062-7	1	1	1	
9	Collier de tuyau	FOT 064-11	2 jeux	3 jeux	4 jeux	
10	Support mural	FOT 064-12	2	3	4	
11	Écrou	FOT 062-10	2	3	4	
12	Vis A	ZAA0420SC	2	3	4	
13	Vis B	CP-30408	4	6	8	

Raccordement de l'appareil

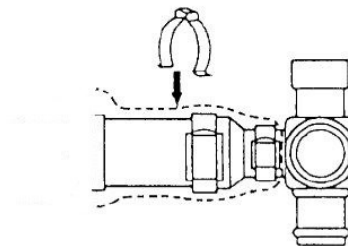
1. Fixez l'adaptateur de cheminée sur le collecteur de cheminée avec un arrêt de tuyau S.
2. Raccordez le tuyau d'admission d'air sur le collecteur de cheminée. Fixez-le avec une attache en plastique. L'entrée inoccupée est bouchée avec le capuchon en caoutchouc livré avec le collecteur.



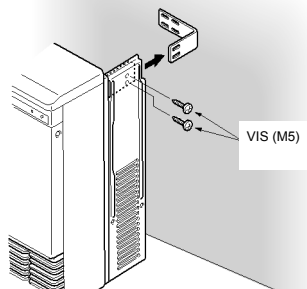
3. Connectez la ventilation en glissant le tube avec un arrêt S et un arrêt E. Le tube coulissant ne doit pas être étendu au-delà de la ligne rouge. La ligne rouge ne doit pas être visible après glissement du tube dans la sortie de ventilation.



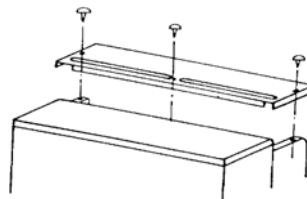
4. Glissez le manchon d'isolation sur le collecteur de cheminée et positionnez le collier de sécurité par-dessus le manchon comme c'est illustré.



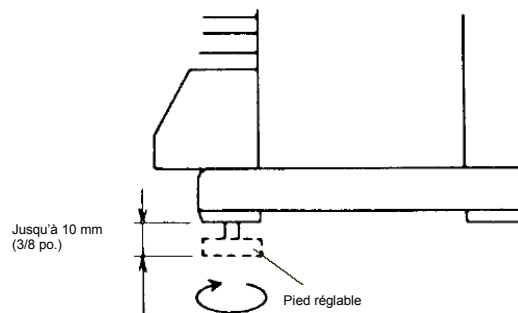
5. Fixez l'appareil sur les supports muraux, en utilisant 2 vis pour chaque support.



6. Fixez le calage arrière avec 3 vis en haut de l'appareil.




7. Si nécessaire, l'appareil peut être mis de niveau en utilisant les pieds réglables à l'avant droit et gauche de l'appareil.




Réglages de pression de gaz

Suivez ces instructions concernant l'altitude et la longueur de ventilation (Altitude par défaut : 0 à 2 000 pieds. Longueur de ventilation par défaut : 0 – 7 pieds +1 coude).

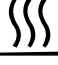
Pour des installations à forte altitude au Canada, la conversion doit être réalisée par un représentant agréé du constructeur, en conformité avec ses exigences plus celles des administrations provinciales ou territoriales ayant autorité, et en respectant les consignes d'installations de CAN/CGA-B149.1 ou CAN/CGA-B149.

ATTENTION 

Ne touchez pas d'autres zones sur la carte de circuit imprimé à côté des micro-commutateurs "SW" pendant que l'appareil est sous tension. Il y a des pièces sur cette carte qui sont alimentées en 120 V CA.

ATTENTION 

N'insérez pas les mains ni des objets dans les ventilateurs de circulation quand ils tournent. Il pourrait en résulter une blessure ou un dysfonctionnement.

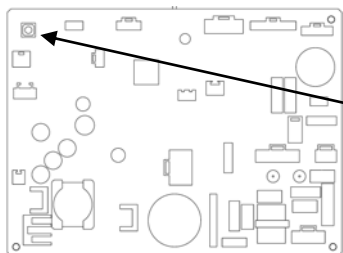
ATTENTION 

Ne touchez pas les zones sur l'échappement ou autour. L'endroit est très chaud et pourrait causer des brûlures.

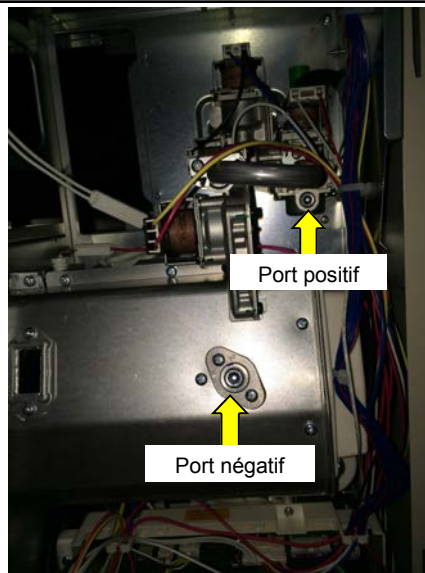
AVIS

Le régulateur a été préréglé en usine. Si la pression est incorrecte, contrôlez d'abord la pression d'alimentation en gaz en amont avant de procéder à des quelconques ajustements sur l'appareil. Également si la pression basse au contrôle ne peut pas être obtenue, retouchez la vis de réglage de la vanne proportionnelle pour fixer en gros la pression, puis revérifiez les pressions à petit feu et à plein feu.

1. Coupez l'alimentation en gaz et l'alimentation en secteur 120 V.
2. Enlevez les vis de ports de test (trou NPT 1/8) avec une clé Allen de 3/16 que vous trouvez sur le couvercle de vanne de gaz et brûleur. Fixez un manomètre à port double sur ces port de test comme c'est montré. Assurez-vous que ce manomètre est bien calibré.
3. Rétablissez l'alimentation en gaz et l'alimentation en secteur 120 V.
4. Assurez-vous que la fonctionnalité *Set Back* a bien été désactivée (Cette fonctionnalité de seuil minimal est activé par défaut en sortie d'usine).
5. Avec l'appareil en état d'arrêt, appuyez sur le micro-commutateur SW1 sur la carte de circuit imprimé jusqu'à l'audition d'un bip.
6. Sélectionnez le code correct selon le type de gaz, l'altitude et la longueur de ventilation sur l'affichage DEL en utilisant les boutons ▲ and ▼.



Micro-commutateur SW1 de PCB



Code	Gaz naturel Ventilation courte : 0-7 pieds + 1 coude (A1 - A4) Ventilation longue : 7 pieds + 1 coude – 13 pieds + 2 coudes (A5 - A8)				Gaz propane Ventilation courte : 0-7 pieds + 1 coude (L1 - L4) Ventilation longue : 7 pieds + 1 coude – 13 pieds + 2 coudes (L5 - L8)			
	A1 / A5	A2 / A6	A3 / A7	A4 / A8	L1 / L5	L2 / L6	L3 / L7	L4 / L8
Altitude	0-2000 ft	2001-5200 ft	5201-7700 ft	7701-10200 ft	0-2000 ft	2001-5200 ft	5201-7700 ft	7701-10200 ft
Test de pression au collecteur, pression exprimée en hauteur de colonne d'eau Petit feu	1.69 in (43 mm)	1.59 in (40 mm)	1.49 in (38 mm)	1.43 in (36 mm)	3.21 in (82 mm)	3.01 in (76 mm)	2.85 in (72 mm)	2.73 in (69 mm)
Test de pression au collecteur, pression exprimée en hauteur de colonne d'eau Plein feu	3.77 in (96 mm)	2.99 in (76 mm)	2.69 in (68 mm)	2.45 in (62 mm)	6.38 in (162 mm)	5.62 in (143 mm)	5.06 in (129 mm)	4.58 in (116 mm)

Réglages de pression de gaz

- Appuyez une fois sur le micro-commutateur SW1 pour entrer un code de gaz en mémoire.

L'afficheur à DEL se vide et l'appareil revient au mode d'arrêt normal. Vous êtes maintenant prêt à programmer votre réglage correct de pression de gaz pour petit feu et plein feu. Suivez la procédure ci-dessous pour régler la pression de gaz au collecteur. Ne réglez pas la pression de gaz sur cet appareil en utilisant la vis en haut de la vanne de gaz.

- Appuyez sur le bouton M/A (ON/OFF) pour démarrer le radiateur.
- Appuyez sur le micro-commutateur SW1. L'afficheur à DEL va montrer un "7".
- Appuyez de nouveau sur le micro-commutateur SW1. L'afficheur à DEL va montrer "PL", indiquant le mode petit feu.
- Comparez la mesure de pression au manomètre avec le tableau correspondant à votre type de gaz. Si nécessaire, ajuster la pression pour petit feu en utilisant les boutons ▲ et ▼. Appuyez de nouveau sur le micro-commutateur SW1.
- L'afficheur à DEL va montrer "PH", indiquant le mode plein feu.
- Comparez la mesure de pression au manomètre avec le tableau correspondant à votre type de gaz. Si nécessaire ajuster la pression pour plein feu en utilisant les boutons ▲ et ▼.
- Appuyez de nouveau sur le bouton M/A (ON/OFF). L'afficheur à DEL se vide et l'appareil revient au mode d'arrêt normal.
- Enlevez le manomètre et remettez en place les bouchons à tête Allen. Faites fonctionner l'appareil, et
 - contrôlez que la séquence de fonctionnement est normale
 - inspectez visuellement la flamme
 - contrôlez l'absence de fuites aux points de test
- Ramenez l'appareil en fonctionnement normal.
- Réactivez la fonctionnalité de seuil minimum (Set Back)".

REMARQUE : Si l'afficheur à DEL montre "HF" ou "LF", ne touchez pas aux boutons ▲ et ▼ ni au bouton *Economy*. Dans ce cas, appuyez sur le micro-commutateur SW1.

Séquence normale de fonctionnement

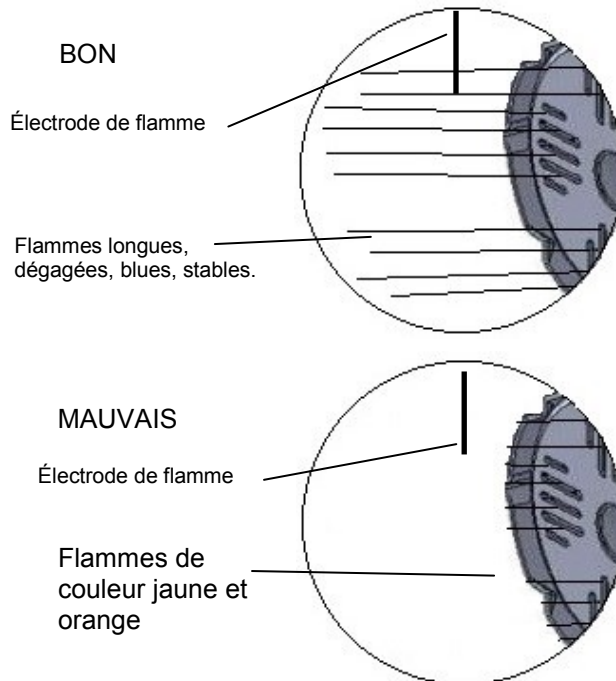
Quand vous appuyez sur le bouton ON/OFF, l'afficheur à DEL s'allume, le ventilateur de combustion commence à tourner, et les étincelles allument le brûleur.

Ce radiateur a un système d'allumage automatique. Quand le brûleur principal s'est allumé, le voyant de combustion s'allume en rouge, et la production d'étincelles cesse.

Inspection visuelle de la flamme

Contrôlez que les flammes de brûleur sont normales.. La flamme peut être vue au travers d'un œilleton.

En fonctionnement normal la flamme de brûleur comme des langues longues, dégagées, bleues et stables. Des flammes de couleur jaune et orange sont anormales, et nécessitent une intervention de maintenance.



Assemblage final

- Installez le panneau frontal et le couvercle du bas.
- Placez la plaque de conversion (étiquette) sur le couvercle frontal.

POUR VOTRE SÉCURITÉ LISEZ CECI AVANT DE COMMENCER



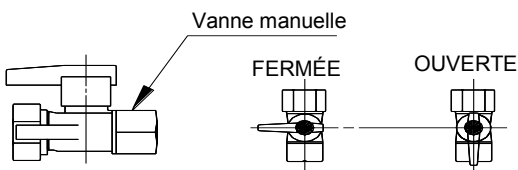
AVERTISSEMENT

Si vous ne suivez pas exactement ces instructions, il peut en résulter un départ d'incendie ou une explosion entraînant dégâts matériels et blessures pouvant être fatales.

- Cet appareil ne comporte pas de veilleuse. Il est équipé d'un dispositif d'allumage qui allume automatiquement le brûleur. N'essayez pas d'allumer le brûleur à la main.
- AVANT L'UTILISATION**, reniflez tout autour de la zone de l'appareil pour détecter du gaz. Ne manquez pas de chercher près du plancher car certains gaz sont plus lourds que l'air et s'accumulent au sol
QUE FAIRE SI VOUS SENTEZ LE GAZ
 - N'essayez pas d'allumer aucun appareil.
 - Ne touchez à aucun interrupteur électrique. N'utilisez aucun téléphone dans votre bâtiment.
 - Appelez immédiatement votre fournisseur de gaz depuis un téléphone du voisinage. Suivez les instructions qu'il vous donnera.
- Si vous ne pouvez pas joindre votre fournisseur de gaz, appelez les pompiers.
- N'utilisez que votre main pour appuyer sur le bouton de commande de gaz ou l'enfoncer. N'utilisez jamais d'outils. Si la commande ne se tourne pas ou ne s'enfonce pas à la main, n'essayez pas de la réparer vous-même, mais appelez un professionnel agréé. Le fait de forcer ou de tenter une réparation peut provoquer un départ d'incendie ou une explosion.
- N'utilisez pas cet appareil si une partie quelconque a été immergée dans de l'eau. Appelez immédiatement un professionnel agréé pour inspecter l'appareil et remplacer toute pièce du système de contrôle et toute commande de gaz qui aurait séjourné sous l'eau.

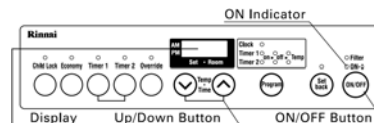
INSTRUCTIONS D'UTILISATION

- STOP!** Lisez bien les informations de sécurité qui précèdent.
- Passez le thermostat sur le réglage de température le plus bas.
- Coupez l'alimentation électrique de l'appareil en utilisant le bouton Marche/Arrêt (ON/OFF).
- Cet appareil ne comporte pas de veilleuse. Il est équipé d'un dispositif d'allumage qui allume automatiquement le brûleur. N'essayez pas d'allumer le brûleur à la main.
- Tournez-la complètement en sens horaire jusqu'à sa position de fermeture (OFF).
- Attendez cinq (5) minutes pour dissiper tout gaz éventuel. Puis reniflez pour détecter du gaz, y compris près du plancher. Si vous sentez le gaz, STOP! Suivez la partie B



des informations de sécurité qui précèdent. Si vous ne sentez pas le gaz, poursuivez.

- Tournez la vanne manuelle de gaz complètement en sens antihoraire jusqu'à sa position d'ouverture complète (ON)
- Rétablissez toute l'alimentation électrique de l'appareil en utilisant le bouton Marche/Arrêt (ON/OFF).
- Passez le thermostat sur le réglage de température de consigne voulu.
- Le brûleur est allumé quand le voyant indicateur ON passe au rouge.
- Le voyant ON et le code de défaut 11 clignotent quand le brûleur n'arrive pas à s'allumer.
- Si l'appareil ne se met pas en marche, suivez les instructions de coupure d'alimentation en gaz de l'appareil et appelez un professionnel agréé ou votre fournisseur de gaz. Consultez le manuel pour plus d'informations.



POUR COUPER LE GAZ À L'APPAREIL

- Passez le thermostat sur le réglage de température le plus bas.
 - Coupez toute alimentation électrique vers l'appareil si une intervention de service est prévue (en utilisant le bouton ON/OFF sur le panneau de commandes).
 - Localisez la vanne manuelle de coupure de gaz.
 - Tournez-la complètement en sens horaire jusqu'à sa position de fermeture (OFF).
- REMARQUE :** Le ventilateur continue de tourner jusqu'à ce que l'appareil soit refroidi. Ne coupez pas l'appareil en le débranchant de la prise secteur murale. Gardez propres les compartiments de brûleur et de commandes. Consultez les instructions d'installation et d'utilisation.

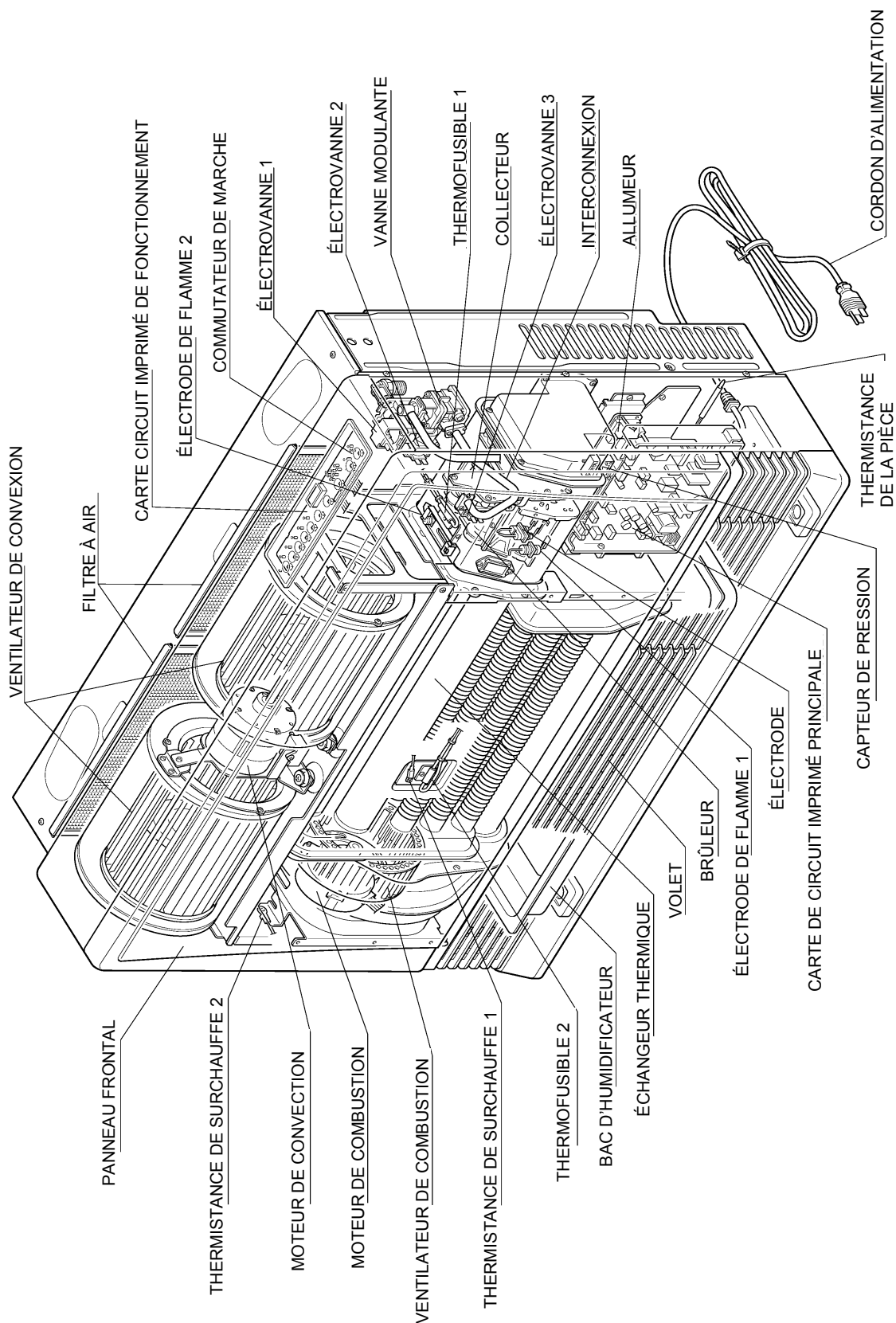
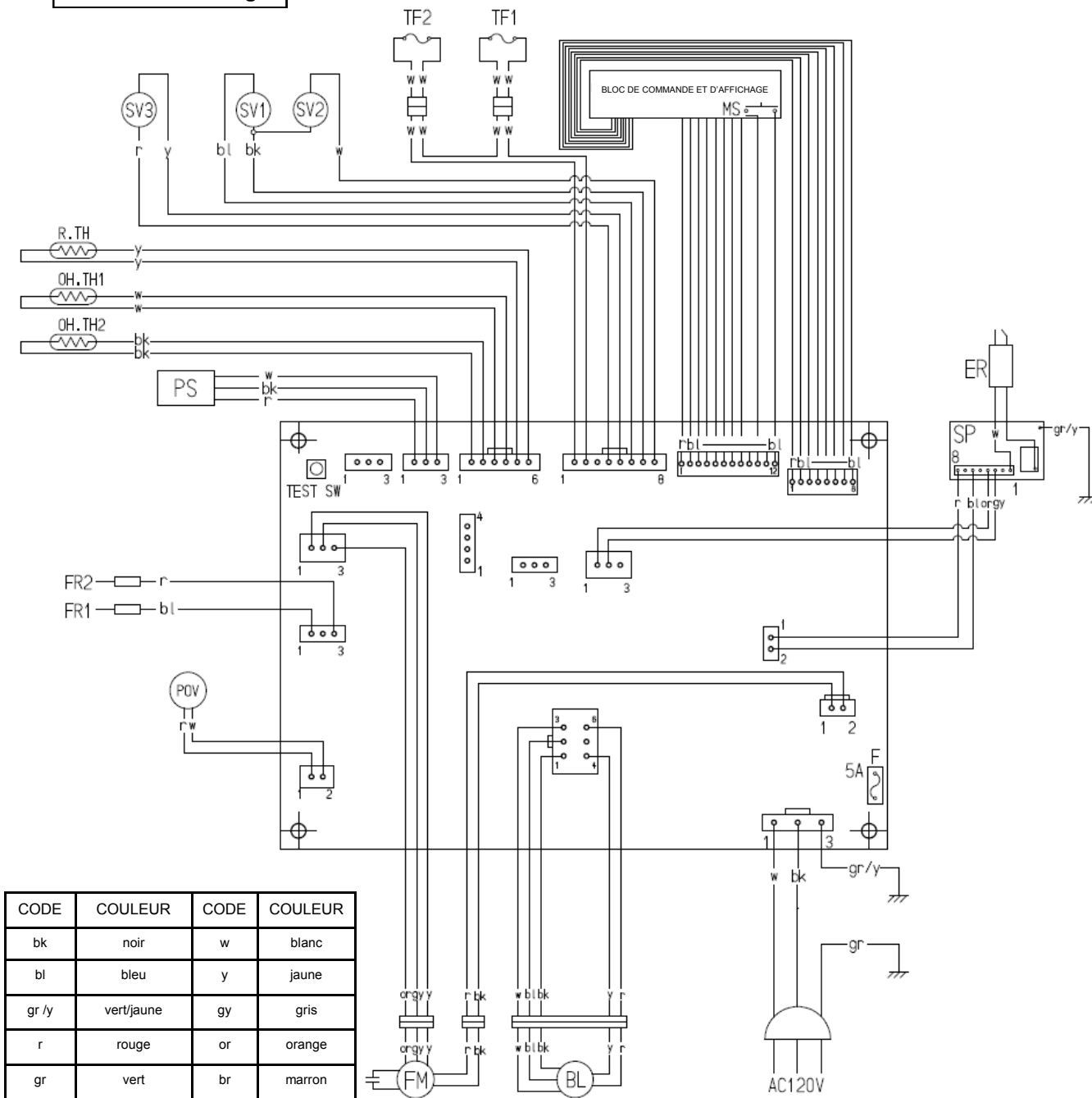


Schéma de câblage

Schéma de câblage



CODE	COULEUR	CODE	COULEUR
bk	noir	w	blanc
bl	bleu	y	jaune
gr/y	vert/jaune	gy	gris
r	rouge	or	orange
gr	vert	br	marron

ABRÉV.	NOM DE PIÈCE	ABRÉV.	NOM DE PIÈCE
MS	COMMUTEUR PRINCIPAL	OH.TH1,2	THERMISTANCES DE SUR-CHAUFFE 1, 2
R. TH	THERMISTANCE	FM	MOTEUR DE VENTILATEUR DE CONVECTION
TF1,2	FUSIBLES THERMIQUES 1, 2	SP	GÉNÉRATEUR D'ÉTINCELLES
F	FUSIBLE	SV~3	ÉLECTROVANNES D'ALIMENTATION 1 À 3
ER	ÉLECTRODE	SV3	ÉLECTROVANNE 3
POV	ÉLECTROVANNE MODULANTE	BL	MOTEUR DE VENTILATEUR DE COMBUSTION
PS	CAPTEUR DE PRESSION	FR1,2	ÉLECTRODES DE FLAMME 1, 2

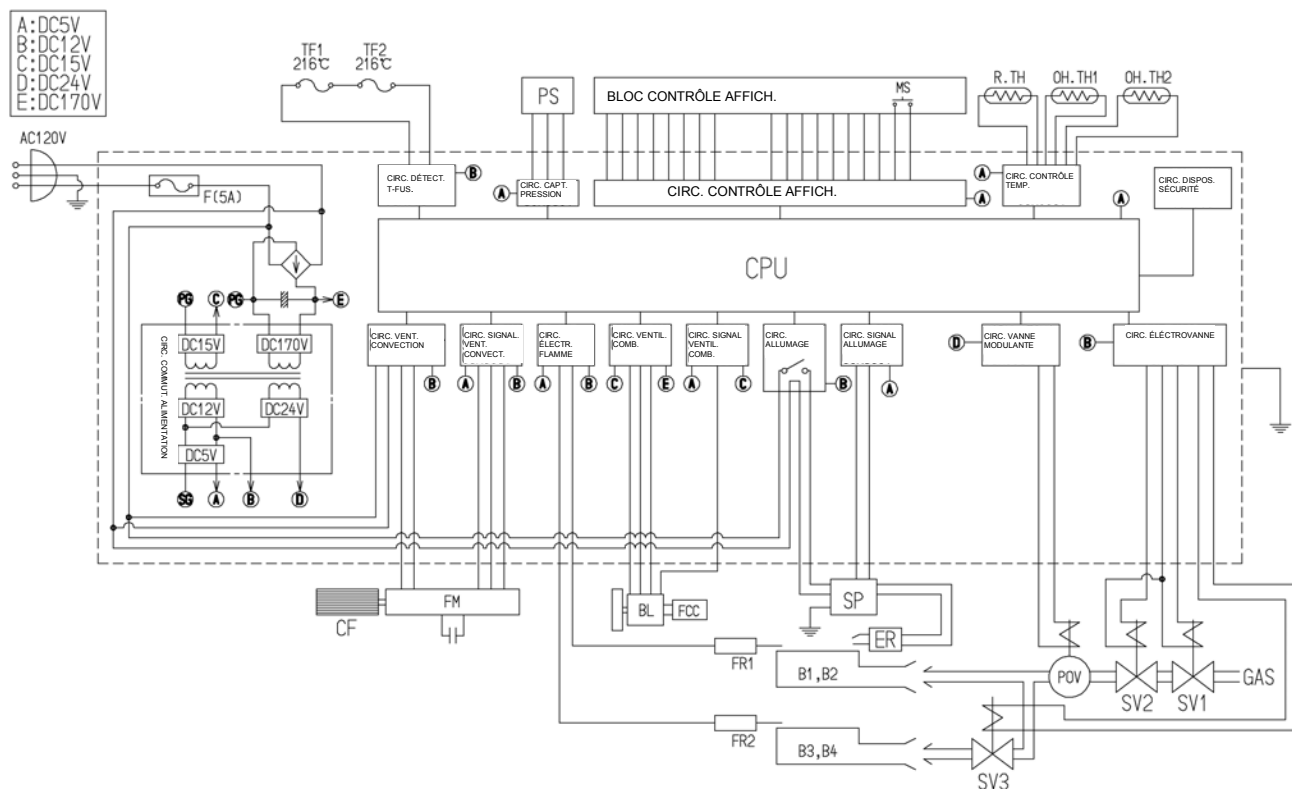
ATTENTION

Étiquetez tous les fils avant de les débrancher lors des interventions de service. Des erreurs de câblage peuvent provoquer un fonctionnement incorrect et dangereux.

Si un des fils d'origine de l'appareil devait être remplacé, il faut le faire avec du fil de qualité 18AWG ou équivalent.

Diagramme logique

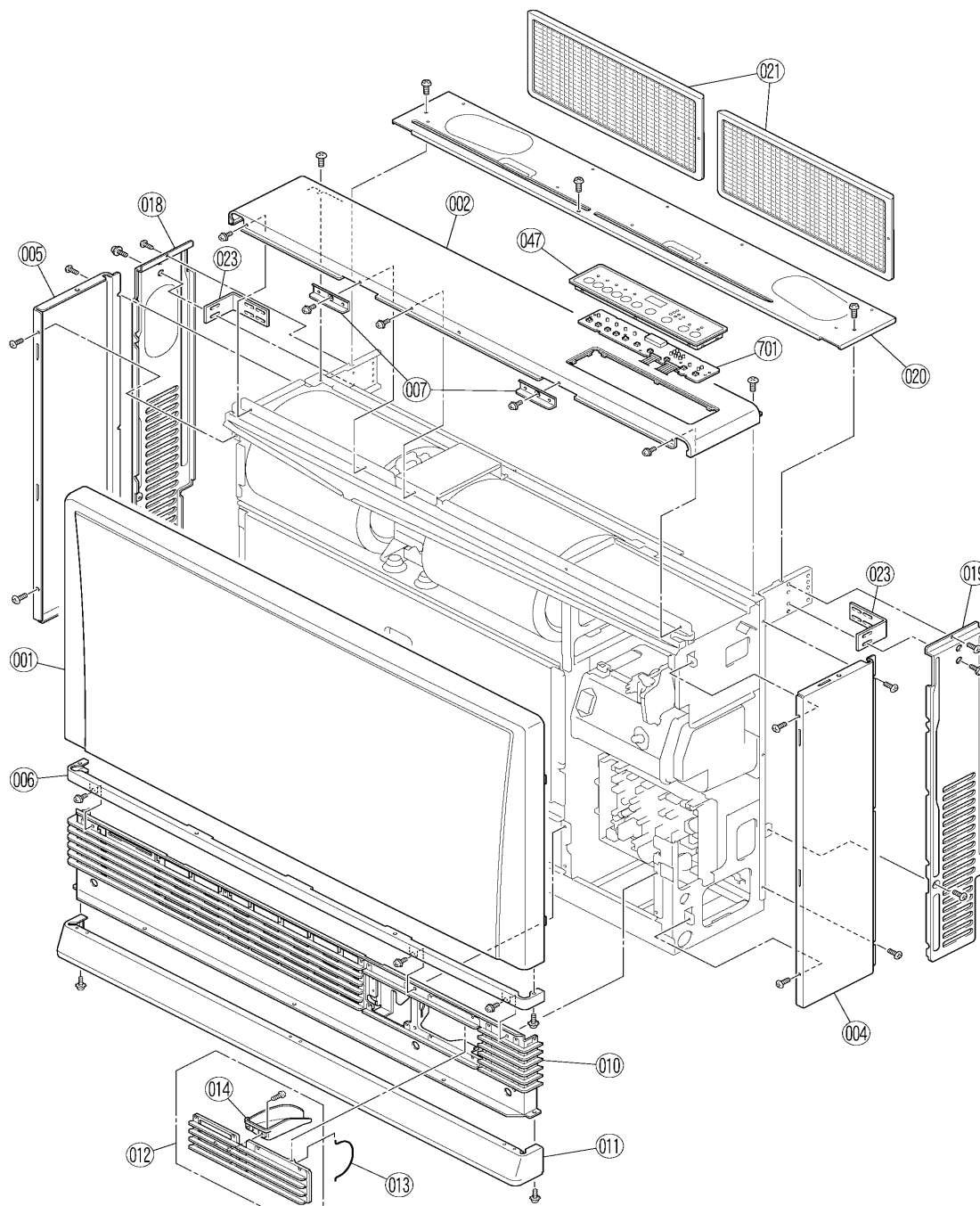
Diagramme logique



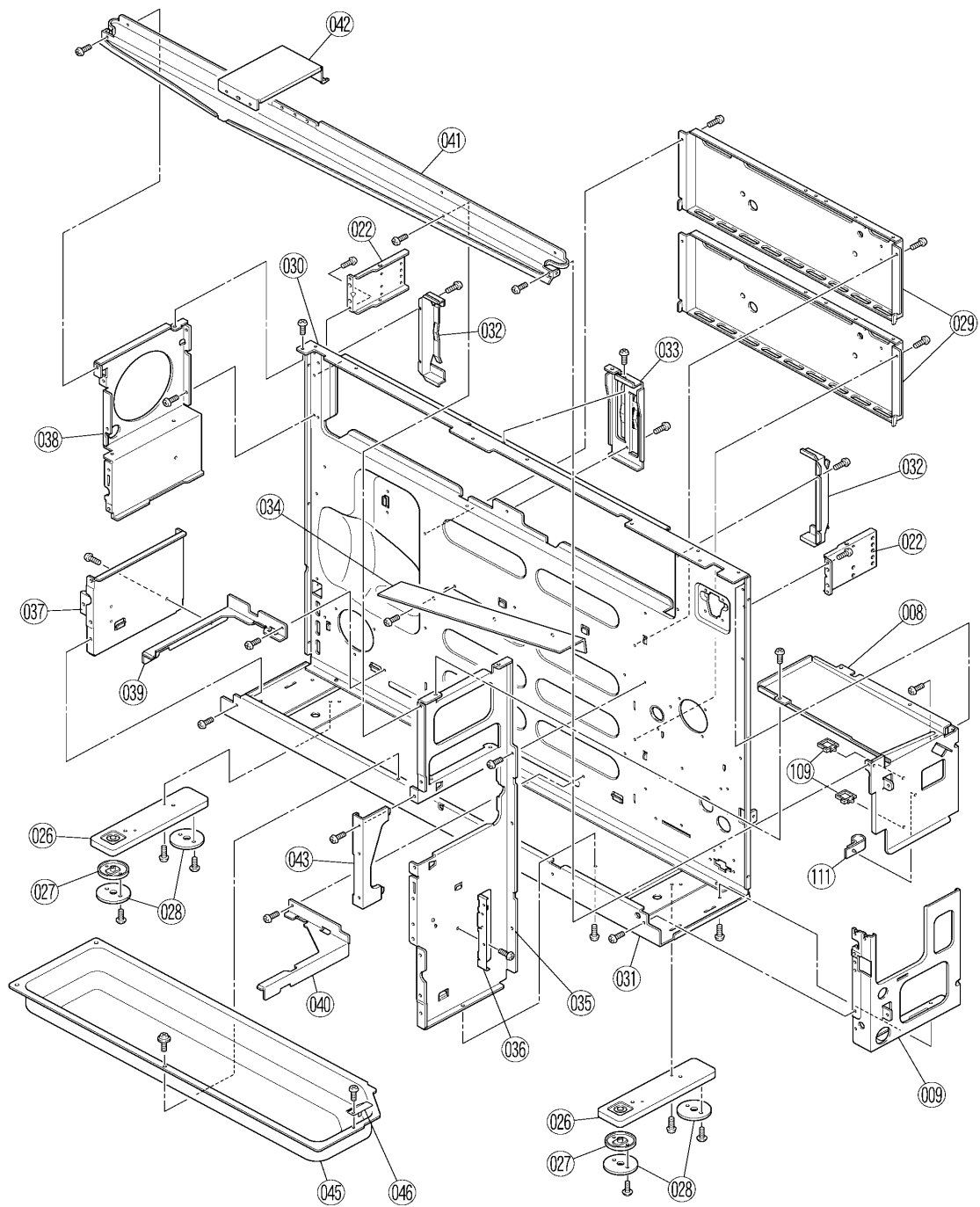
ABRÉV.	NOM DE PIÈCE	ABRÉV.	NOM DE PIÈCE
MS	COMMUTATEUR M/A	SP	GÉNÉRATEUR D'ÉTINCELLES
R. TH	THERMISTANCE	OH.TH1,2	THERMISTANCES DE SURCHAUFFE 1, 2
TF1,2	THERMO-FUSIBLES 1, 2	SP	GÉNÉRATEUR D'ÉTINCELLES
F	FUSIBLE	SV1~3	ÉLECTROVANNES 1 À 3
ER	ÉLECTRODE	BL	MOTEUR DE VENTILATEUR DE COMBUSTION
POV	ÉLECTROVANNE MODULANTE	FCC	CIRCUIT DE COMMANDE DE VENTILATEUR
FR1, 2	ÉLECTRODES DE FLAMME 1, 2	B1~4	BRÛLEURS 1 À 4
CF	VENTILATEUR DE CONVECTION	PS	CAPTEUR DE PRESSION
FM	MOTEUR DE VENTILATEUR DE CONVECTION		

Liste de pièces

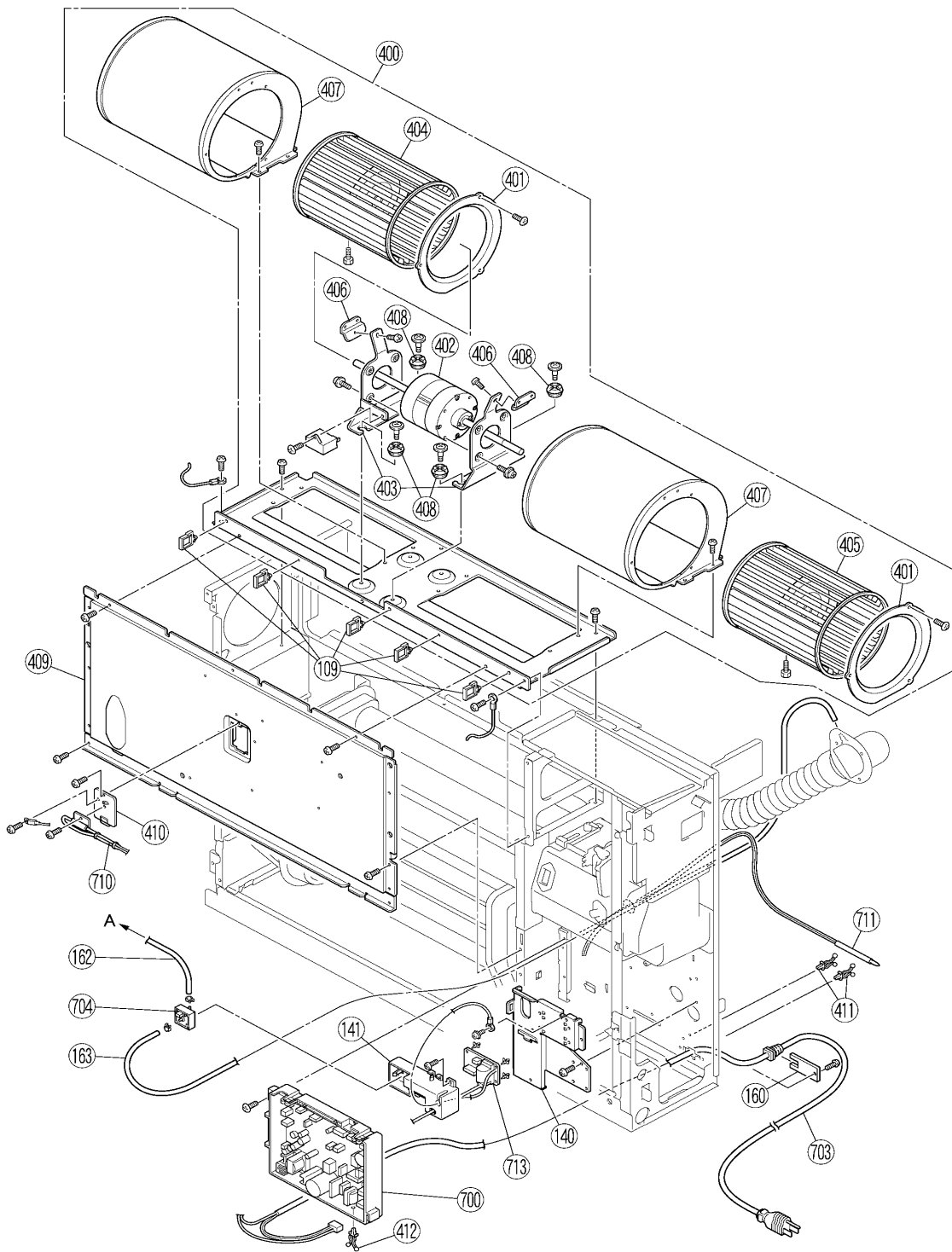
Pour les pièces de rechange, appelez Rinnai au 1-800-621-9419.



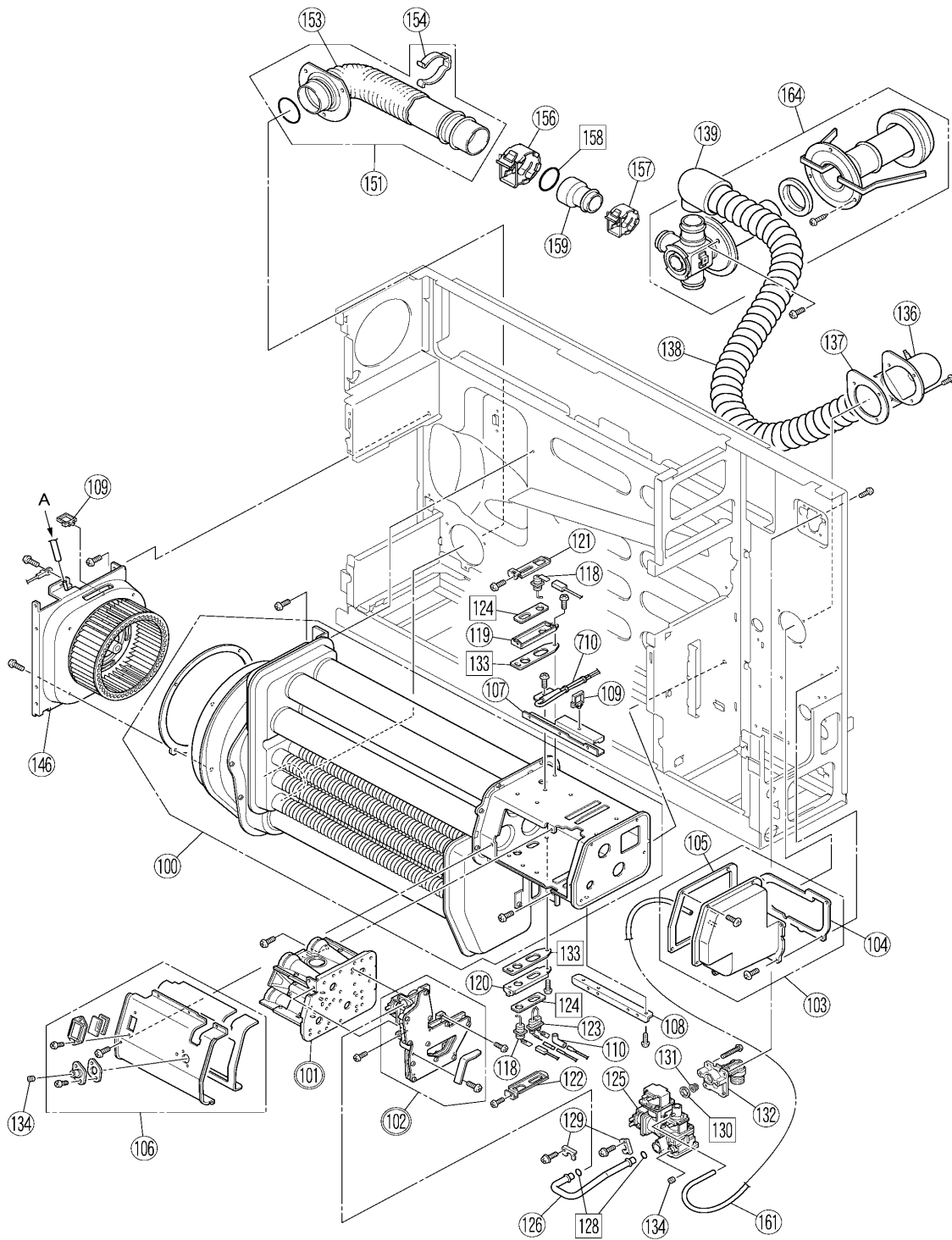
Liste de pièces

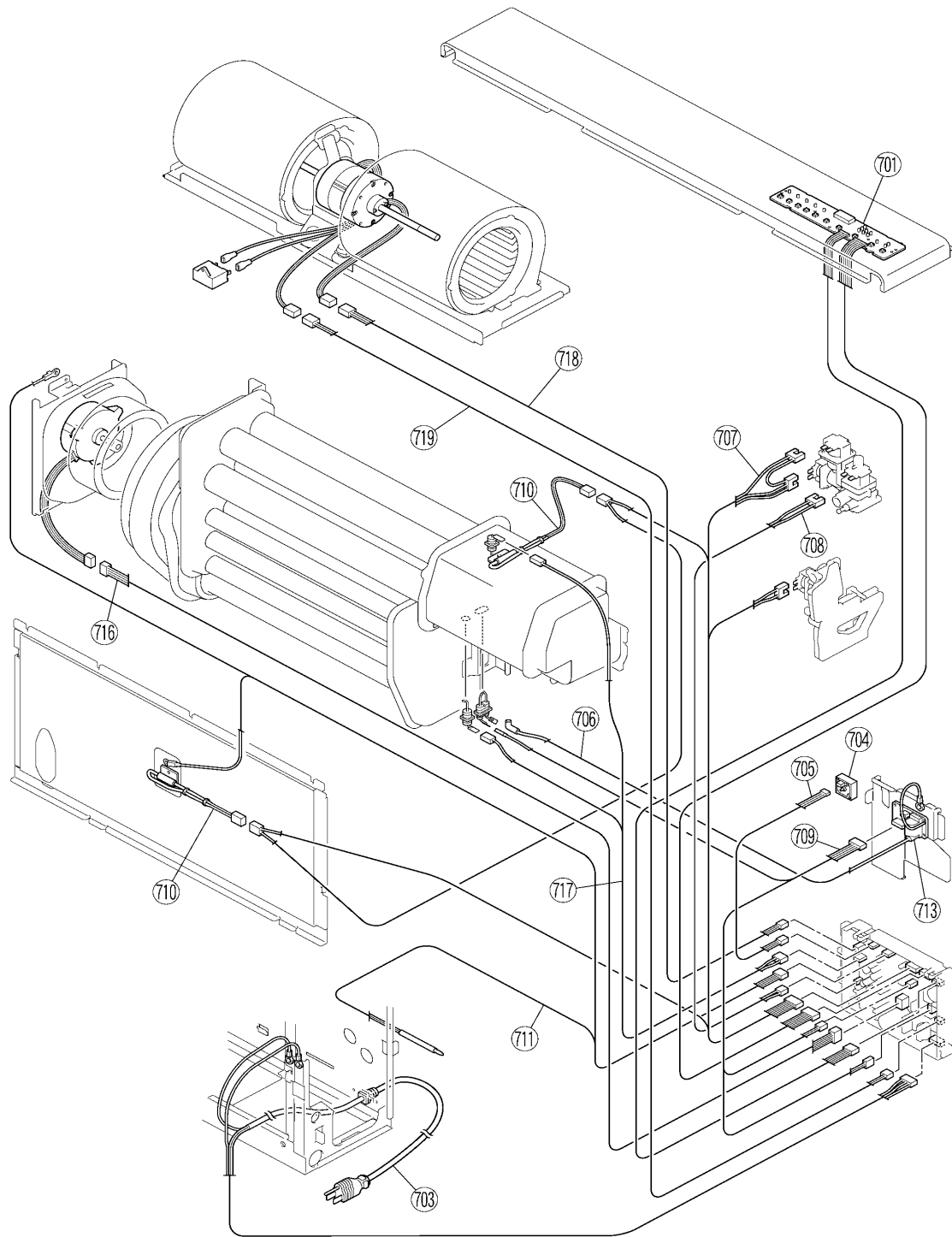


Liste de pièces



Liste de pièces





Liste de pièces

NO.	NOM	Numéro de la Pièce	QTÉ.	
			1005 FTA Beige	1005FTA-W Blanc
001	ENSEMBLE PANNEAU FRONTAL A	209000139		1
	ENSEMBLE PANNEAU FRONTAL B	209000140	1	
002	PLAQUE DE DESSUS A	209000141		1
	PLAQUE DE DESSUS B	209000142	1	
004	PANNEAU DE CÔTÉ J	209000143		1
	PANNEAU DE CÔTÉ L	209000144	1	
005	PANNEAU DE CÔTÉ K	209000145		1
	PANNEAU DE CÔTÉ M	209000146	1	
006	GANITURE A SUPPORT VOLET	208000050		1
	GANITURE B SUPPORT VOLET	208000051	1	
007	MAINTIEN PANNEAU FRONTAL	209000147	2	2
008	ANGLE DE CHÂSSIS SUPÉRIEUR	209000148	1	1
009	ANGLE DE CHÂSSIS	209000149	1	1
010	ENSEMBLE DE VOLET A	208000052		1
	ENSEMBLE DE VOLET B	208000053	1	
011	ENSEMBLE GARNITURE BAS H	209000150		1
	ENSEMBLE GARNITURE G	209000029	1	
012	ENSEMBLE TOTAL A REMPLISSAGE D'EAU	209000151		1
	ENSEMBLE TOTAL B REMPLISSAGE D'EAU	209000152	1	
013	CHARNIÈRES PORTE DE VOLET	1001F-078	1	1
014	REEMPLISSAGE D'EAU	209000153	1	1
018	CALE ARRIÈRE GAUCHE H	209000154		1
	CALE ARRIÈRE GAUCHE G	209000155	1	
019	CALE ARRIÈRE DROITE H	209000156		1
	CALE ARRIÈRE DROITE G	209000157	1	
020	ENSEMBLE CALE ARRIÈRE DESSUS C	209000158		1
	ENSEMBLE CALE ARRIÈRE DESSUS B	209000159	1	
021	ENSEMBLE FILTRE À AIR	208000054	2	2
022	SUPPORT CALE ARRIÈRE	1001F-092X02	2	2
023	SUPPORT MURAL B	1004F-825	2	2
026	ENSEMBLE DE PIEDS	209000160	2	2
027	ENSEMBLE DE SUPPORT CAOUTCHOUC	550F-0220X01	2	2
028	BASE SUPPORT CAOUTCHOUC	550F-0225X01	4	4
029	PANNEAU PROTECTION THERMIQUE	209000108	2	2
030	PLAQUE ARRIÈRE	209000161	1	1
031	PLAQUE DU BAS	209000162	1	1
032	PLAQUE DE CÔTÉ SUPPORT DE FILTRE	208000055	2	2
033	CENTRE SUPPORT DE FILTRE	208000056	1	1
034	PLAQUE A DE DRESSAGE	209000163	1	1
035	CENTRE DE CHÂSSIS	209000164	1	1
036	PLAQUE MONTAGE ACCESSOIRE DE PCB	209000165	1	1
037	ENSEMBLE BAS GAUCHE DE CHÂSSIS	209000166	1	1
038	HAUT GAUCHE DE CHÂSSIS	209000167	1	1

Liste de pièces

NO.	NOM	Numéro de la Pièce	QTÉ.	
			1005FTA Beige	1005FTA-W Blanc
039	PLAQUE DE MAINTIEN BAC HUMIDIFIEUR GAUCHE	208000057	1	1
040	PLAQUE DE MAINTIEN BAC HUMIDIFIEUR GA	208000058	1	1
041	SUPPORT PLAQUE SUPÉRIEURE	209000168	1	1
042	PORTE-PLAQUE SUPÉRIEURE	209000169	1	1
043	PLAQUE ÉTANCHÉITÉ BOÎTIER DE BRÛLEUR	206000039	1	1
045	BAC D'HUMIDIFICATEUR	1001F-037	1	1
046	INDICATEUR DE NIVEAU D'EAU	1001F-172	1	1
047	BOÎTIER DE COMMANDES SP	209000170		1
	BOÎTIER DE COMMANDES SP	209000171	1	
100	ENSEMBLE TOTAL D'ÉCHANGEUR THERMIQUE SP	206000040	1	1
101	ENSEMBLE TOTAL DE BRÛLEURS (LP)	206000041	1	1
	ENSEMBLE TOTAL DE BRÛLEURS (GN)	206000042	1	1
102	ENSEMBLE DE COLLECTEUR A (LP)	206000043	1	1
	ENSEMBLE DE COLLECTEUR B (GN)	206000044	1	1
103	CONNEXION CHAMBRE DE COMBUSTION	206000045	1	1
104	GARNITURE A DE CHAMBRE DE COMBUSTION	206000046	1	1
105	GARNITURE B DE CHAMBRE DE COMBUSTION	206000047	1	1
106	ENSEMBLE B DE COUVERCLE DE BRÛLEUR	206000048	1	1
107	PLAQUE DE MONTAGE A COUVERCLE DE BRÛLEUR	206000049	1	1
108	PLAQUE DE MONTAGE B COUVERCLE DE BRÛLEUR	206000050	1	1
109	AGRAFE EN FIL	205000067	9	9
110	MANCHON	3022-0344	1	1
111	COLLIER	209000177	1	1
118	ÉLECTRODE DE FLAMME	205000068	2	2
119	FLAQUE FIXATION D'ÉLECTRODE A	205000069	1	1
120	PLAQUE FIXATION D'ÉLECTRODE B	205000070	1	1
121	SUPPORT D'ÉLECTRODE A	205000071	1	1
122	SUPPORT DÉLÉCTRODE B	205000072	1	1
123	ELECTRODE	205000073	1	1
124	GARNITURE D'ÉLECTRODE	205000074	2	2
125	ENSEMBLE DE CONTRÔLE DE GAZ	206000051	1	1
126	INTERCONNEXION	209000172	1	1
128	JOINT TORIQUE	M10B-1-10	2	2
129	RETENU TUBE DE CONNEXION	209000079	2	2
130	GARNITURE	C311-7	1	1
131	FITRE À GAZ	206000052	1	1
132	ENTRÉE DE GAZ	431F-1110	1	1
133	GARNITURE D'ÉLECTRODE B	205000075	2	2
134	VIS DE PORT DE TEST	AU39-965X01	2	2
136	ENTRÉE D'AIR D	208000059	1	1
137	GARNITURE D'ENTRÉE D'AIR	1004F-2033	1	1
138	TUYAU D'ADMISSION D'AIR E	RHF1000-130-E	1	1
139	CODO DE AIRE DE ENTRADA	RHF1000-132	1	1
140	PLAQUE A DE BASE D'ALLUMEUR	205000076	1	1
141	COUVERCLE D'ALLUMEUR	205000077	1	1
146	ENSEMBLE DE VENT. DE COMBUSTION	208000060	1	1
151	ENSEMBLE COUDE ÉCHAPPEMENT	208000065	1	1
153	COUVERCLE	1001F-111X03	1	1
154	ARRÊT DE COUVRE-COUDE	RHF1000-145	1	1

Liste de pieces

NO.	NOM	Numéro de la Pièce	QTÉ.	
			1005FTA Beige	1005FTA-W Blanc
156	ENSEMBLE D'ARRÊT DE TUYAU D'ÉCHAPPEMENT	1001F-250	1	1
157	ENSEMBLE S D'ARRÊT DE TUYAU D'ÉCHAPPEMENT	1001F-1730	1	1
158	JOINT TORIQUE	209000173	1	1
159	ENSEMBLE B D'ADAPTEUR D'ÉCHAPPEMENT	1004F-530X01	1	1
160	SUPPORT DE CORDON D'ALIMENTATION	RC-329-1033X01	1	1
161	TUBE D	208000017	1	1
162	TUBE DÉTECTEUR A	205000078	1	1
163	TUBE DÉTECTEUR B	205000079	1	1
164	ENSEMBLE DE CHEMINÉE	FOT-151	1	1
166	COLLIER DE TUYAU O	209000087	3	3
167	COLLER DE TUYAU N	209000088	1	1
400	ENSEMBLE TOTAL VENTIL. CONVECTION	208000061	1	1
401	PAVILLON D'ENTRÉE	209000174	2	2
402	MOTEUR DE VENTIL. CONVECTION	208000062	1	1
403	SUPPORT DE MOTEUR	208000063	2	2
404	VENTILATEUR CONVECTION A	1004F-308-1X01	1	1
405	VENTILATEUR CONVECTION B	1004F-308-2X01	1	1
406	PLAQUE ACCESSOIRE DE SUPPORT DE MOTEUR	208000064	2	2
407	ENSEMBLE DE CARTER DE VENTILATEUR	1001F-152X05	2	2
408	COUSSIN CAOUTCHOUC	308F-8273	4	4
409	ENSEMBLE CARTE ÉCRAN THERMIQUE	209000175	1	1
410	SUPPORT OHS	209000176	1	1
411	ATTACHE DE CÂBLE	CP-90125-2	2	2
412	ATTACHE DE CÂBLE	209000178	1	1
700	ENSEMBLE CARTE CIRCUIT IMPRIMÉ	205000080	1	1
701	ENSEMBLE PCB FONCTIONNEMENT	205000081	1	1
703	CORDON D'ALIMENTATION	205000082	1	1
704	CAPTEUR DE PRESSION	1004F-2051	1	1
705	HARNAIS DE CAPTEUR	1004F-2053	1	1
706	CORDON HAUTE TENSION	205000083	1	1
707	HARNAIS SV	205000084	1	1
708	HARNAIS POV	205000085	1	1
709	HARNAIS IG	205000086	1	1
710	HARNAIS TF	205000041	2	2
711	THERMISTANCE DE PIÈCE	205000087	1	1
713	ALLUMEUR	205000037	1	1
716	HARNAIS MOTEUR	205000088	1	1
717	HARNAIS FR	205000089	1	1
718	HARNAIS RPM	205000090	1	1
719	HARNAIS MOTEUR CONVECTION	205000091	1	1
800	ÉTIQUETTE CONDUITE D'EAU B	550F-1418	1	1
888	MANUEL D'UTILISATION	200000064	1	1
890	ÉTIQUETTE DE FONCTIONNEMENT	200000066	1	1
999	ENSEMBLE DE VANNE M/A	BRR37-244	1	1

Assistance à la clientèle

Informations de garantie

L'installateur est responsable de l'installation correcte de votre radiateur.
Veuillez compléter les informations suivantes à garder dans vos archives :

Acheté chez : _____

Adress: _____ Téléphone : _____

Date de l'achat : _____

Référence de modèle : _____

N° de série : _____

Installé par : _____ N° de licence de l'installateur : _____

Adresse : _____ Téléphone : _____

Date de l'installation : _____

Garantie limitée

Radiateur mural au gaz à ventilation directe

Ce qui est couvert

Cette garantie couvre tous les défauts dus aux matériaux et à la main-d'œuvre, selon les termes énoncés ci-après. Cette garantie s'étend à l'acheteur d'origine et aux propriétaires successifs, mais seulement si le produit reste sur le site de son installation d'origine. Si le produit est déplacé et réinstallé ailleurs, cette garantie se termine et n'a été applicable que pour la première installation d'origine du produit.

Durée de la couverture sous garantie

Article	Période de couverture
Échangeur thermique	10 ans à partir de l'achat
Toutes les autres pièces	5 ans à partir de l'achat
Main-d'œuvre raisonnable	2 ans à partir de l'achat

Remède apporté par Rinnai

Rinnai va réparer ou remplacer le produit couvert, ou n'importe quels de ses parties ou composants étant défectueux du fait des matériaux ou de la main-d'œuvre, comme c'est explicité dans le tableau précédent. Rinnai paiera des coûts de main-d'œuvre raisonnables associés à la réparation ou au remplacement de toute pièce ou composante. Toutes les pièces de réparation seront des pièces Rinnai d'origine. Toutes les réparations ou les remplacements seront effectués par un professionnel agréé ou une société de service, convenablement formés, habilités dans l'État ou la Province pour ce type de réparations.

Garantie limitée

Le remplacement du produit ne peut être autorisé que par Rinnai. Rinnai n'autorise aucune personne ou société à assumer en son nom une quelconque obligation ou responsabilité de remplacement du produit. Si Rinnai détermine qu'une réparation d'un produit est impossible, Rinnai peut le remplacer par un produit comparable à sa seule discrétion. Si un composant ou produit retourné à Rinnai s'avère exempt de défauts dus aux matériaux ou à la main-d'œuvre, ou endommagé par une installation, un usage ou un fonctionnement inappropriés, ou abîmé pendant le transport de renvoi, la demande d'exercice de garantie pour produit, pièces et main-d'œuvre sera rejetée.

Obtention d'un service sous garantie

Vous devez contacter un professionnel agréé ou une société de service pour la réparation d'un produit dans le cadre de cette garantie. Pour obtenir le nom d'un professionnel agréé veuillez contacter votre lieu d'achat, visiter le site Web de Rinnai (www.rinnai.us), appeler Rinnai au 1-800-621-9419, ou bien écrire à Rinnai (103 International Drive, Peachtree City, Georgia 30269, USA).

Une preuve de l'achat est obligatoire pour obtenir un service sous garantie. Vous pouvez présenter une preuve de l'achat par une facture datée, ou bien en enregistrant le produit dans les 30 jours suivant son achat. Pour enregistrer votre appareil, veuillez aller sur le www.rinnairegistration.com. Si vous n'avez pas accès à Internet, veuillez appeler 1-866-RINNAI1 (745-6241). Un reçu de l'enregistrement par Rinnai constituera une preuve d'achat pour ce produit. Cependant, un enregistrement n'est pas obligatoire pour faire jouer cette garantie limitée.

Ce qui n'est pas couvert

Cette garantie limitée ne couvre pas des pannes ou des difficultés de fonctionnement dues à ces causes :

- accident, abus ou mésusage
- altération
- mauvaise application
- force majeure
- installation incorrecte (comme, sans y être limité, dommages par condensats, ventilation incorrecte, type de gaz inapproprié, ou pression de gaz hors limites).
- conversion incorrecte (y compris des conversions pour ajustement d'inventaire)
- mauvaise maintenance (comme, sans y être limité un blocage de ventilation)
- calibre incorrect
- toute cause autre que des défauts dus aux matériaux ou à la main-d'œuvre

Cette garantie limitée ne s'applique plus pour tout produit dont le numéro de série ou la date de fabrication ont été effacés.

Limitations des garanties

Personne n'est autorisé à exprimer toute autre garantie au nom de la Rinnai America Corporation. Sauf ce qui est formulé expressément ici, il n'y a pas d'autres garanties, explicites ou implicites, incluant sans y être limité les garanties de valeur marchande ou d'adéquation pour une finalité spécifique, d'une portée plus large que la description dans ce chapitre. De plus, Rinnai ne sera pas tenu pour responsable pour tous dommages indirects, accessoires, spéciaux, consécutifs ou du même genre, qui pourraient survenir, incluant les pertes de profit, les dommages aux personnes et aux biens, la perte d'usage, la gêne occasionnée, ou la responsabilité découlant d'une installation, d'une intervention de service ou d'une utilisation incorrectes. Certains États ne permettent pas l'exclusion ou la limitation des dommages consécutifs ou annexes, de ce fait la limitation qui précède peut ne pas s'appliquer à votre cas

Toutes les garanties implicites de valeur marchande ou d'adéquation survenant selon la loi de la province sont limitées en durée à la période de couverture donnée par cette garantie limitée, sauf si la période donnée par la législation de la province est inférieure. Certaines provinces ne permettent pas de limitations sur la durée de garantie implicite, de ce fait la limitation indiquée plus haut peut ne pas s'appliquer dans votre cas.

Cette garantie vous donne des droits légaux spécifiques, et vous pouvez aussi avoir d'autres droits légaux qui peuvent varier d'une province à une autre.

Réglementations provinciales

AVIS AVANT TOUTE INSTALLATION

L'appareil Rinnai à ventilation directe doit être installé par un sous-traitant qualifié ou agréé au niveau de la province, ou un installateur Rinnai correctement formé. Si vous n'avez pas reçu la formation appropriée, vous ne devez pas installer cet appareil.

IMPORTANT : Dans l'état américain du Massachusetts (248 CMR 4.00 et 5.00)

Pour tout équipement carburant au gaz à montage mural ventilé horizontalement, installé dans tout logement, bâtiment ou toute structure, utilisé en tout ou en partie pour des fins résidentielles, incluant ce qui est possédé et utilisé par le Commonwealth, et où la terminaison de ventilation sur mur de côté est à moins de sept (7) pieds au-dessus du niveau final de sol dans la zone de ventilation, incluant sans y être limité plates-formes et porches, les exigences qui suivent doivent être satisfaites :

1. **INSTALLATION DE DÉTECTEURS DE MONOXYDE DE CARBONE.** Au moment de l'installation de l'équipement carburant au gaz ventilé horizontalement sur un mur de côté, le plombier ou le monteur d'installation au gaz doit veiller à ce qu'un détecteur de monoxyde de carbone câblé en fixe, avec alarme et batterie de secours, soit installé au niveau du sol à l'endroit où l'équipement à gaz sera placé. De plus, le plombier ou le monteur d'installation au gaz doit veiller à ce qu'un détecteur de monoxyde de carbone câblé en fixe ou sur batterie, avec une alarme, soit installé aussi à chaque étage du logement, bâtiment ou de la structure qui est desservi par cet équipement carburant au gaz ventilé horizontalement sur un mur de côté. Il doit être de la responsabilité du propriétaire des locaux de faire appel à des professionnels agréés qualifiés pour l'installation des détecteurs de monoxyde de carbone câblés en fixe.
 - a. Dans l'éventualité où l'équipement carburant au gaz ventilé horizontalement sur un mur de côté est installé dans un vide sanitaire ou des combles, le détecteur de monoxyde de carbone câblé en fixe et sa batterie de secours peuvent être installés au niveau du plancher adjacent le plus proche.
 - b. Au cas où les exigences de cette subdivision ne pourraient pas être satisfaites au moment de l'achèvement de l'installation, le propriétaire a un délai de trente (30) jours pour se mettre en conformité, dans la mesure où pendant cette période il aura installé un détecteur de monoxyde de carbone provisoire sur batterie. 2.
2. **DÉTECTEURS DE MONOXYDE DE CARBONE APPROUVÉS.** Chaque détecteur de monoxyde de carbone exigé en conformité avec les dispositions qui précèdent doit être en conformité avec NFPA 720, être listé ANSI/UL 2034 et certifié IAS.
3. **SIGNALISATION.** Une plaque d'identification en métal ou en plastique doit être montée en permanence à l'extérieur du bâtiment à une hauteur d'au moins huit (8) pieds au-dessus de niveau du sol, en alignement direct avec la terminaison de ventilation pour l'appareil de chauffage ou l'équipement carburant au gaz avec une ventilation horizontale. Cette signalisation doit stipuler, en lettres capitales d'au moins un demi-pouce : **"GAS VENT DIRECTLY BELOW (Évacuation de gaz brûlés juste en dessous). KEEP CLEAR OF ALL OBSTRUCTIONS" (À n'obstruer d'aucune façon).**
4. **INSPECTION.** L'inspecteur, local ou de la province, mandaté pour cet équipement carburant au gaz ventilé horizontalement sur un mur de côté, le doit pas approuver l'installation si son inspection ne constate pas la présence des détecteurs de monoxyde de carbone et la signalisation, en conformité avec les dispositions 1 à 4 de 248 CMR 5.08(2)(a).

NOTES

A tradition of

TRUE RELIABILITY.

For nearly 100 years, we at Rinnai have been fiercely committed to delivering nothing less than a superior experience at every touch point.

Beyond manufacturing the highest quality products, our people stand behind all that we make—before, during and long after installation. From the 24/7/365 technical support for professionals, to our national network of independent installers for homeowners, to on-staff engineers who can assist with choosing the right products and sizes—we're inspiring confidence right along with the comfort our solutions provide.



Learn more about Rinnai high-performance Tankless Water Heaters, Hybrid Tank-Tankless Water Heaters, Boilers, Vent-Free Fan Convectors and EnergySaver® Direct Vent Wall Furnaces at www.rinnai.us

Rinnai®

Rinnai America Corporation • 103 International Drive, Peachtree City, GA 30269
Toll-Free: 1-800-621-9419 • Phone: 678-829-1700 • www.rinnai.us

©2015 Rinnai America Corporation. Rinnai is continually updating and improving products; therefore, specifications are subject to change without prior notice. Local, state, provincial, federal and national fuel gas codes must be adhered to prior to and upon installation.



105514

RHF1005-1231(00)

20000064

3/2015

