



INSTALLATION INSTRUCTIONS

Replacement Combustion Chamber Kit Dunkirk Empire Water Oil Fired Boiler

Lynn Manufacturing, Inc
15 Marion St., Lynn, MA 01905
TEL:781-593-2500 FAX:781-596-0430

1105

Also Fits: * Crown Bahama
* Memco SST Series
* Lennox COWB
* Pennco Keystone Water
* Sears Kenmore 44 Series

WARNING

This symbol is used in these instructions to indicate the presence of hazards that can cause severe personal injury, death or substantial property damage.

WARNING

This product contains ceramic fiber materials. Airborne fibers from this material have been listed by the State of California as a possible cause of cancer through inhalation. Apply special care when handling these materials. (target wall and front refractory) Suppliers of ceramic fiber products recommend the following precautions be taken when handling this material:

Precautionary measures:

- * Avoid breathing dust and contact with skin and eyes.
- * Use NIOSH approved dust/mist respirator.
- * Wear long sleeved, loose fitting clothing, gloves and eye protection.
- * Wash work clothes separately from other clothing and rinse washer thoroughly.
- * Operations such as sawing, blowing, tearout and spraying may generate airborne fiber concentrations requiring additional protection.

First aid measures:

- * Eye contact - Flush eyes with water to remove dust. If symptoms persist, seek medical attention.
- * Skin contact - Wash affected areas gently with soap and warm water after handling.

BEFORE STARTING:

WARNING

Failure to perform the following can cause severe personal injury death, or substantial property damage.

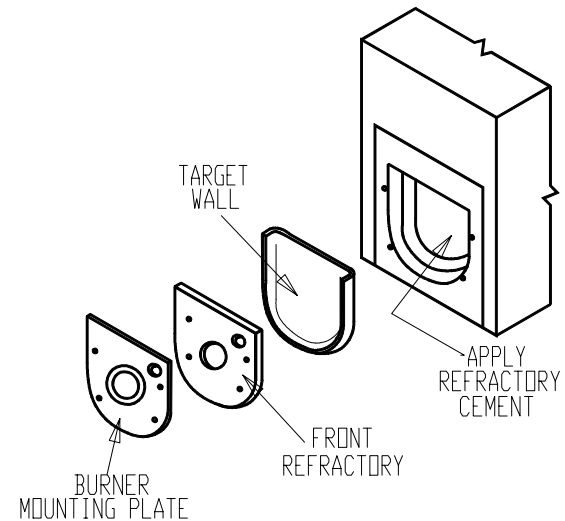
- * Read all instructions before starting.
- * Follow all instructions in proper order.
- * Turn off service switch on boiler and all other disconnect switches.
- * Turn off fuel supply valve(s) and disconnect fuel line from burner.

REMOVAL:

1. Check to make sure all electric power is off, and the oil line is disconnected.
2. Remove the four nuts holding the burner mounting plate, and remove the plate & burner.
3. Remove the old front refractory and target wall.
4. Clean out the combustion area.

INSTALLATION:

5. Use a caulking gun to apply several beads of refractory cement to the backwall of the boiler.
6. Insert the new target wall through the boiler opening, and press it into position against the backwall of the boiler.
7. Insert the 4 brass spacers provided into the 4 small holes in the front refractory.
8. Place the front refractory onto the 4 threaded studs at the front of the boiler. Make sure that the observation hole is on the "right" side of the burner hole.
9. Place the burner mounting plate and oil burner onto the studs, replace nuts and tighten.
10. Reconnect and turn on the oil line and electric power.
11. Fire the burner for 15 minutes to allow chamber to "cure".



NOTE: WHEN FIRST FIRED, SOME SMOKE AND A SLIGHT ODOR WILL OCCUR. THIS IS PART OF THE CURING PROCESS.

12. Combustion tests MUST be performed AFTER the curing process is complete to insure proper performance.