

# Installation, Maintenance, and Repair Manual

## Series 009, LF009, LFU009, SS009, U009

### Reduced Pressure Zone Assemblies

1/4" – 3"

#### ⚠ WARNING



Read this Manual **BEFORE** using this equipment. Failure to read and follow all safety and use information can result in death, serious personal injury, property damage, or damage to the equipment. Keep this Manual for future reference.



#### ⚠ WARNING

Local building or plumbing codes may require modifications to the information provided. You are required to consult the local building and plumbing codes prior to installation. If this information is not consistent with local building or plumbing codes, the local codes should be followed.

#### ⚠ WARNING

**Need for Periodic Inspection/Maintenance:** This product must be tested periodically in compliance with local codes, but at least once per year or more as service conditions warrant.

If installed on a fire suppression system, all mechanical checks, such as alarms and backflow preventers, should be flow tested and inspected in accordance with NFPA 13 and/or NFPA 25.

Corrosive water conditions and/or unauthorized adjustments or repair could render the product ineffective for the service intended. Regular checking and cleaning of the product's internal components helps assure maximum life and proper product function.

#### NOTICE

For Australia and New Zealand, line strainers should be installed between the upstream shutoff valve and the inlet of the backflow preventer.

Fittings such as end connectors intended to join alternative pipe systems made from other materials (such as plastics) shall also conform to the relevant dimensional and performance requirements of the appropriate Australian, New Zealand, or joint Australian–New Zealand Standard for the alternative pipe system.

#### Testing

For field testing procedure, refer to IS-TK-DL, IS-TK-9A, IS-TK-99E, and IS-TK-99D at watts.com.

For other repair kits and service parts, refer to the Backflow Prevention Products Repair Kits & Service Parts price list PL-RP-BPD at watts.com.

For technical assistance, contact your local Watts representative.



LF009 with Flood Sensor

Series 009 assemblies, sizes 1/2" to 3", include a sensor on the relief valve to detect excessive discharge and trigger notification of a potential flood event.

#### NOTICE

An add-on connection kit is required to activate the flood sensor. Without the connection kit, the flood sensor is a passive component that has no communication with any other device. (A retrofit sensor connection kit is also available for existing installations. See "Add-on and Retrofit Sensor Connection Kits," for ordering details.)

#### NOTICE

Use of the flood sensor does not replace the need to comply with all required instructions, codes, and regulations related to installation, operation, and maintenance of this product, including the need to provide proper drainage in the event of a discharge.

Watts no es responsable de la falla de las alertas debido a problemas de conectividad, cortes de energía o instalación incorrecta.

# Installation Guidelines

## Indoors

For indoor installations, the assembly needs to be easily accessible to facilitate testing and servicing. If it is located in a line close to a wall, be sure the test cocks are easily accessible. A drain line and air gap should be piped from the relief valve connection as shown in Figure 1. This is where evidence of discharge is clearly visible, signaling the need to protect against water damage. Therefore, never install the assembly in concealed locations. (For more information, download the ES-AG/EL/TC specification at watts.com.)

## Outside

In an area where freezing conditions do not occur, the assembly can be installed outside. The most satisfactory installation is above ground; thus, the assembly should be installed in this manner.

Backflow preventers should not be installed in pits unless approved by local codes. In such cases, a modified pit installation is preferred.

### NOTICE

In an area where freezing conditions can occur, the assembly should be installed above ground in an insulated enclosure, as shown in Figure 2. (For more information, download the ES-WB specification at watts.com.)

The assembly must be installed in an accessible location to facilitate testing and servicing. A discharge line should be piped from the air gap at the relief valve connection to ensure there is adequate drainage. Never pipe the discharge line directly into a drainage ditch, sewer, or sump. Never install the assembly where any part of the unit could become submerged in standing water.

## Parallel

Two or more smaller-sized assemblies can be piped in parallel (when approved) to serve a large supply pipe main, as shown in Figure 3. This type of installation is employed where increased capacity is needed beyond that provided by a single valve and permits testing or servicing of an individual valve without shutting down the complete line.

The number of assemblies used in parallel should be determined by the engineer's judgment based on the operating conditions of a specific installation.

For parallel valve installations, the total capacity of the assemblies should equal or exceed that required by the system.

Figure 1

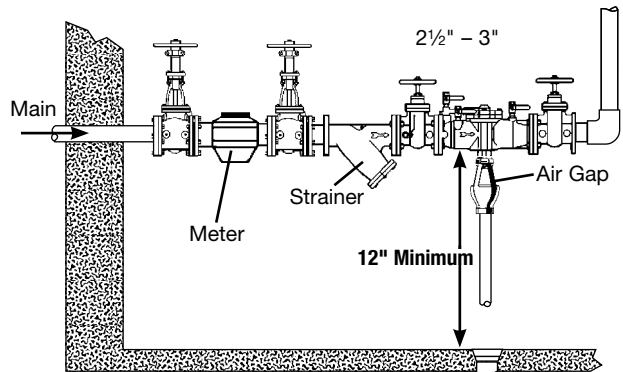


Figure 2

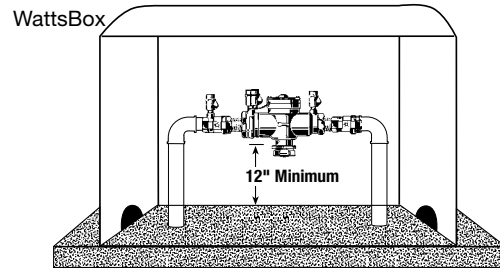
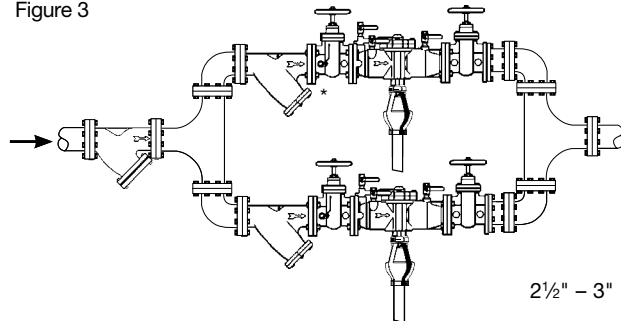


Figure 3



# Annual Inspection

Annual inspection of all water system safety and control valves is required and necessary. Regular inspection, testing, and cleaning assures maximum life and proper product function.

## NOTICE

**Shutoff Valves:** When shutoff valves are removed and reassembly is necessary, the shutoff valve with the test cock is to be mounted on the inlet side of the backflow preventer.

- A. The assembly should always be installed in an accessible location to facilitate testing and servicing. **Check the state and local codes to ensure that the backflow preventer is installed in compliance, such as the proper height above the ground.**
- B. Watts recommends that a strainer be installed ahead of the assembly to protect the internal components from unnecessary fouling.

## CAUTION

Do not add a strainer when the backflow preventer is installed on seldom-used water lines, such as fire sprinkler lines or other lines called upon only during emergencies.

**Start Up:** The downstream shutoff should be closed. Open the upstream shutoff slowly and fill the valve. When the valve is filled, open the downstream shutoff slowly and fill the water supply system. This is necessary to avoid water hammer or shock damage.

- C. Water discharge from the relief valve should be vented in accordance with code requirements. The relief valve should never be solidly piped into a drainage ditch, sewer, or sump. The discharge should be terminated approximately 12" above the ground or through an air gap piped to a floor drain.

## NOTICE

### Relief Valve Discharge Rates

The installation of an air gap with the drain line terminating above a floor drain handles any normal discharge or nuisance spitting through the relief valve. However, floor drain size may need to be designed to prevent water damage caused by a catastrophic failure condition. See Figure 4 for maximum relief valve discharge rates, size, and capacity of typical floor drains.

**Do not** reduce the size of the drain line from the air gap fitting. Pipe full line size.

- D. After initial installation, a discharge from the relief valve opening may occur due to inadequate initial flushing of pipe lines to eliminate dirt and pipe compounds. If flushing does not clear, remove the first check valve and clean thoroughly.

## NOTICE

Periodic relief valve discharge may occur on dead end service applications, such as boiler feed lines or cooling tower makeup lines due to fluctuating supply pressure during a static or no flow condition. To avoid this discharge, install a spring-loaded rubber seated check valve ahead of the backflow assembly to "lock-in" the downstream pressure.

- E. Backflow preventers should never be placed in pits unless absolutely necessary and then only when and as approved by local codes. In such cases, provision should be made to always vent above flood level or for a pit drain to ensure an adequate air gap below the relief port.

- F. The backflow preventers must be inspected periodically for any discharge from the relief valve which provides a visual indication of need for cleaning or repair of check valves. Also testing for proper operation of the device should be made periodically in compliance with local codes, but at least once a year or more often, depending upon system conditions.

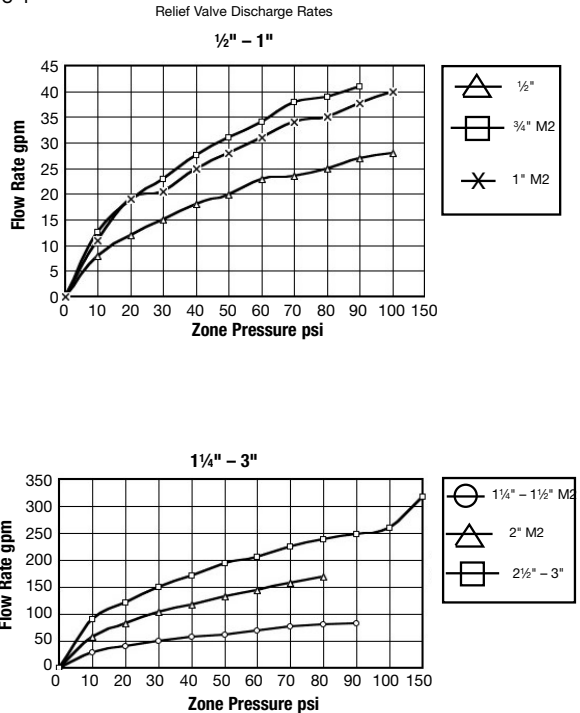
The relief vent discharges water when, during no-flow periods, the first check valve is fouled or the inlet pressure to the device drops sufficiently due to upstream pressure fluctuations to affect the required operating differential between the inlet pressure and reduced pressure zone. Otherwise, such relief (spitting) can occur when the second check is fouled during emergency backflow or resulting from a water hammer condition. (For more information, download Troubleshooting Guide S-TSG at watts.com.)

## NOTICE

**Special considerations are necessary when testing assemblies installed on Fire Prevention Systems.**

**Fire Protection System Installations:** The National Fire Protection Agency (NFPA) Guidelines require a confirming flow test be conducted whenever a "main line" valve such as a backflow assembly or the shutoff valves have been operated. Certified testers of backflow assemblies must conduct this confirming test.

Figure 4



TYPICAL FLOW RATES AS SIZED BY FLOOR DRAIN MANUFACTURERS	
2" 55 gpm	5" 350 gpm
3" 112 gpm	6" 450 gpm
4" 170 gpm	8" 760 gpm

# Servicing the Relief Valve

## NOTICE

No special tools are required to service assembly sizes 2½" to 3".

1. Detach the activation module, if installed, from the flood sensor then remove the sensor from the relief valve.
2. Remove the four or six relief valve cover bolts while holding the cover down.
3. Lift the cover straight off. The stem and diaphragm assembly normally remain with the cover as it is removed. The relief valve spring is free inside the body at this point.
4. The relief valve seat is located at the bottom of the body bore, and can be removed, if necessary, for cleaning. The disc can be cleaned without disassembly of the relief valve module. If it is determined that the relief valve diaphragm and/or disc should be replaced, the relief valve module can be readily disassembled without the use of special tools.

## NOTICE

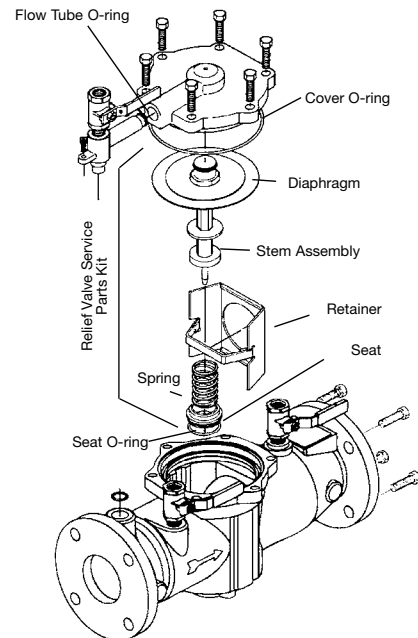
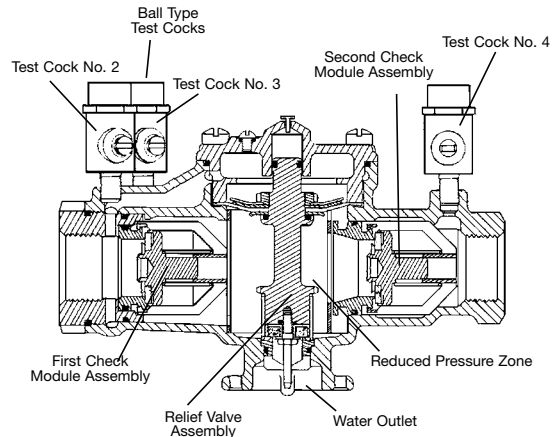
The disc rubber is molded into the disc holder and is supplied as a disc holder assembly.

5. To reassemble the relief valve, press the seat firmly into place in the body, center the spring on the seat, and insert the cover and relief valve module as a unit straight into the bore. Press down on the cover to assure proper alignment. Insert and tighten bolts.
6. Reattach the flood sensor to the relief valve and mount the activation module to the sensor.

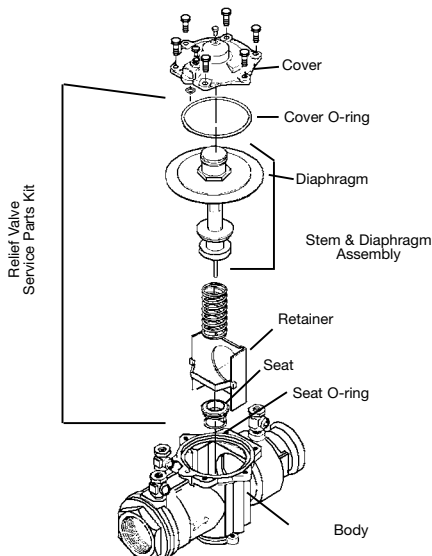
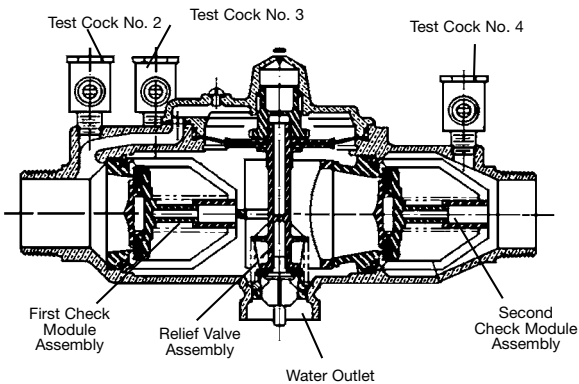
## NOTICE

If the cover does not press flat against the body, the stem assembly is crooked and damage can result. Realign the stem and cover before bolts are inserted.

2½" - 3"



1" - 2"



# Servicing First and Second Check Valves

1. Remove the relief valve assembly by following the preceding procedure.
2. Remove the retainer from the body bore. The check valve modules can now be removed from the valve by hand or with a screwdriver.

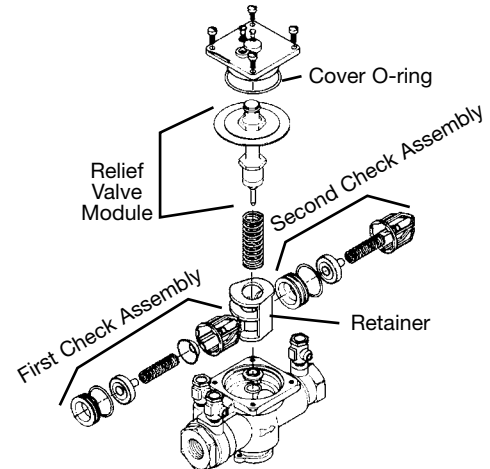
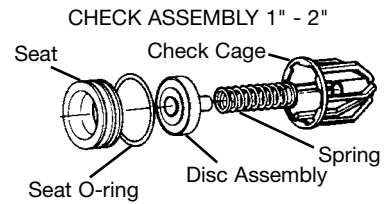
## NOTICE

The seats and springs of the first and second check modules are not interchangeable. The heavier spring and smaller diameter seat belong with the first check module.

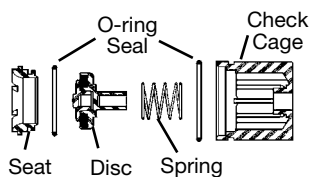
3. The check seats are attached to the cage with a bayonet type locking arrangement. Holding the cage in one hand, push the seat inward and rotate counterclockwise for 2½" to 3"; clockwise for ¼" to 2" against the cage. The seat, spring cage, spring, and disc assembly are now individual components.
4. The disc assembly may now be cleaned and reassembled or, depending on its condition, discarded and replaced with a new assembly from the repair kit. O-rings should be cleaned or replaced as necessary and lightly greased with the FDA-approved silicon grease.
5. Reassemble the check valve modules. Check modules are installed in the valve body with the seat facing the valve inlet. The modules must be securely in place before the retainer can be replaced. Reinstall relief valve assembly as well as flood sensor and activation module.

## NOTICE

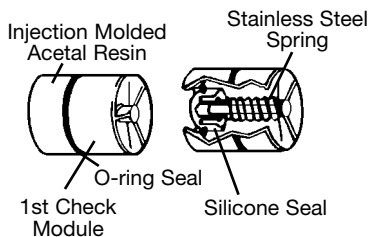
No special tools are required to service assembly sizes 2½" to 3".



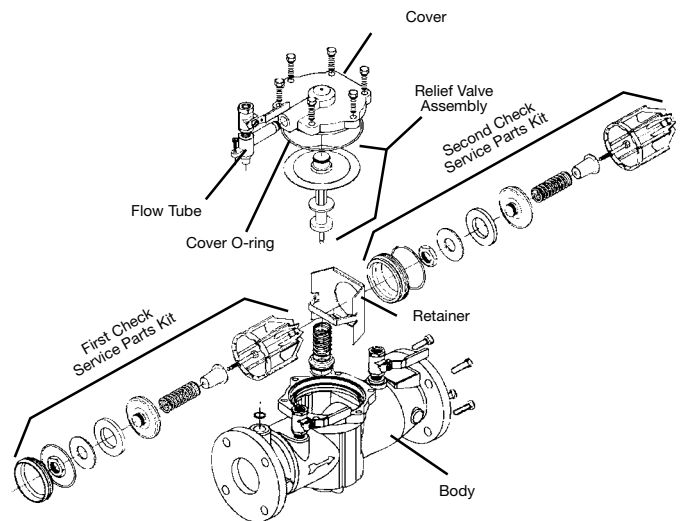
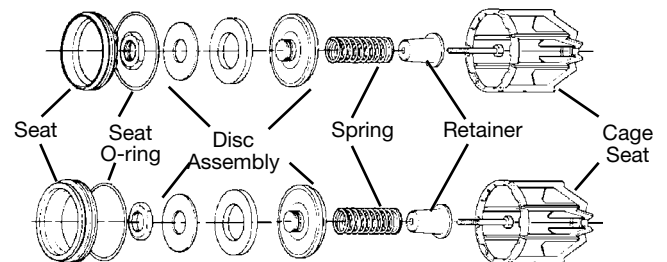
CHECK ASSEMBLY ¼" M3



CHECK ASSEMBLY ¼" - ¾"







CHECK ASSEMBLY 2½" - 3"







## Troubleshooting

SYMPTOM	CAUSE	SOLUTION
Check valve fails to hold 1.0 PSID minimum	Debris on check disc sealing surface	Disassemble and clean
	Leaking isolation valve	Disassemble and clean or repair
	Damaged seat disc or seat O-ring	Disassemble and replace
	Damaged guide holding check open	Disassemble and clean or replace
	Weak or broken spring	Disassemble and replace spring
Chatter during flow conditions	Worn, damaged or defective guide	Disassemble and repair or replace guide
Low flows passing through mainline valve	Mainline check fouled	Disassemble and clean
	Meter strainer plugged	
	Damaged mainline seat disc or seat	Disassemble and replace
	Broken mainline spring	

## Add-on and Retrofit Sensor Connection Kits for Building Management Systems

ORDERING CODE	ADD-ON/RETROFIT KIT	DESCRIPTION
88003056	 <p>FP-BF-BMS BMS Sensor Connection Kit Series 009, LF009, LFU009, SS009, U009 Sizes ½" to 3"</p>	Includes sensor activation module with cable, deflector (4), ground wire, and power adapter. Use this kit to activate the flood sensor and enable flood detection capabilities on the relief valve of a new installation working with a BMS controller (not included).
88003057	 <p>FP-RFK-BF-BMS-CFS BMS Sensor Retrofit Connection Kit Series 009, LF009, LFU009, SS009, U009 Sizes ½" to ¾"</p>	Includes flood sensor, deflector, sensor activation module with cable, ground wire, and power adapter. Use this kit to install the flood sensor and enable flood detection capabilities on the relief valve of an existing installation working with a BMS controller (not included).
88003058	 <p>FP-RFK-BF-BMS-CFS BMS Sensor Retrofit Connection Kit Series 009, LF009, LFU009, SS009, U009 Sizes 1" to 1½"</p>	Includes flood sensor, deflector (2), sensor activation module with cable, mounting bolts, ground wire, and power adapter. Use this kit to install the flood sensor and enable flood detection capabilities on the relief valve of an existing installation working with a BMS controller (not included).
88003059	 <p>FP-RFK-BF-BMS-CFS BMS Sensor Retrofit Connection Kit Series 009, LF009, LFU009, U009 Sizes 2" to 3"</p>	Includes flood sensor, deflector, sensor activation module with cable, mounting bolts, ground wire, and power adapter. Use this kit to install the flood sensor and enable flood detection capabilities on the relief valve of an existing installation working with a BMS controller (not included).

## Add-on and Retrofit Sensor Connection Kits for Cellular Communication

ORDERING CODE	ADD-ON/RETROFIT KIT	DESCRIPTION
88003060	 <p>FP-BF-CFS Cellular Sensor Connection Kit Series 009, LF009, LFU009, SS009, U009 Sizes ½" to 3"</p>	Includes sensor activation module with cable, deflector (4), Cellular Gateway with mounting kit, ground wire, and power adapter. Use this kit to activate the flood sensor and enable flood detection capabilities on the relief valve of a new installation working with cellular communication to send alerts by email message, SMS text message, or voice call.
88003061	 <p>FP-RFK-BF-CFS Cellular Sensor Retrofit Connection Kit Series 009, LF009, LFU009, SS009, U009 Sizes ½" to ¾"</p>	Includes flood sensor, deflector, sensor activation module with cable, Cellular Gateway with mounting kit, ground wire, and power adapter. Use this kit to install the flood sensor and enable flood detection capabilities on the relief valve of an existing installation working with cellular communication to send alerts by email message, SMS text message, or voice call.
88003062	 <p>FP-RFK-BF-CFS Cellular Sensor Retrofit Connection Kit Series 009, LF009, LFU009, SS009, U009 Sizes 1" to 1½"</p>	Includes flood sensor, deflector (2), sensor activation module with cable, mounting bolts, Cellular Gateway with mounting kit, ground wire, and power adapter. Use this kit to install the flood sensor and enable flood detection capabilities on the relief valve of an existing installation working with cellular communication to send alerts by email message, SMS text message, or voice call.
88003063	 <p>FP-RFK-BF-CFS Cellular Sensor Retrofit Connection Kit Series 009, LF009, LFU009, U009 Sizes 2" to 3"</p>	Includes flood sensor, deflector, sensor activation module with cable, mounting bolts, Cellular Gateway with mounting kit, ground wire, and power adapter. Use this kit to install the flood sensor and enable flood detection capabilities on the relief valve of an existing installation working with cellular communication to send alerts by email message, SMS text message, or voice call.

**Limited Warranty:** Watts (the "Company") warrants each product to be free from defects in material and workmanship under normal usage for a period of one year from the date of original shipment. In the event of such defects within the warranty period, the Company will, at its option, replace or recondition the product without charge.

**THE WARRANTY SET FORTH HEREIN IS GIVEN EXPRESSLY AND IS THE ONLY WARRANTY GIVEN BY THE COMPANY WITH RESPECT TO THE PRODUCT. THE COMPANY MAKES NO OTHER WARRANTIES, EXPRESS OR IMPLIED. THE COMPANY HEREBY SPECIFICALLY DISCLAIMS ALL OTHER WARRANTIES, EXPRESS OR IMPLIED, INCLUDING BUT NOT LIMITED TO THE IMPLIED WARRANTIES OF MERCHANTABILITY AND FITNESS FOR A PARTICULAR PURPOSE.**

The remedy described in the first paragraph of this warranty shall constitute the sole and exclusive remedy for breach of warranty, and the Company shall not be responsible for any incidental, special or consequential damages, including without limitation, lost profits or the cost of repairing or replacing other property which is damaged if this product does not work properly, other costs resulting from labor charges, delays, vandalism, negligence, fouling caused by foreign material, damage from adverse water conditions, chemical, or any other circumstances over which the Company has no control. This warranty shall be invalidated by any abuse, misuse, misapplication, improper installation or improper maintenance or alteration of the product.

Some States do not allow limitations on how long an implied warranty lasts, and some States do not allow the exclusion or limitation of incidental or consequential damages. Therefore the above limitations may not apply to you. This Limited Warranty gives you specific legal rights, and you may have other rights that vary from State to State. You should consult applicable state laws to determine your rights. **SO FAR AS IS CONSISTENT WITH APPLICABLE STATE LAW, ANY IMPLIED WARRANTIES THAT MAY NOT BE DISCLAIMED, INCLUDING THE IMPLIED WARRANTIES OF MERCHANTABILITY AND FITNESS FOR A PARTICULAR PURPOSE, ARE LIMITED IN DURATION TO ONE YEAR FROM THE DATE OF ORIGINAL SHIPMENT.**



**USA:** T: (978) 689-6066 • Watts.com

**Canada:** T: (888) 208-8927 • Watts.ca

**Latin America:** T: (52) 55-4122-0138 • Watts.com





# Manuel d'installation, d'entretien et de réparation

## Séries 009, LF009, LFU009, SS009, U009

### Ensembles pour zones à pression réduite

¼ po à 3 po (0,6 cm à 7,6 cm)

#### ⚠ AVERTISSEMENT



**Veillez lire ce manuel AVANT d'utiliser cet équipement.**

**Le fait de ne pas lire et de ne pas respecter toutes les informations relatives à la sécurité et à l'utilisation peut entraîner la mort, des blessures graves, des dégâts matériels ou des dommages à l'équipement.**



**Conservez ce manuel pour toute référence ultérieure.**

#### ⚠ AVERTISSEMENT

**Il se peut que les codes du bâtiment ou de plomberie locaux nécessitent des modifications aux informations fournies. Vous êtes tenu de consulter les codes du bâtiment et de plomberie locaux avant l'installation. Si ces informations ne sont pas conformes avec les codes du bâtiment et de plomberie locaux, les codes locaux ont préséance.**

#### ⚠ AVERTISSEMENT

##### **Besoin d'une inspection et d'une maintenance périodique :**

Ce produit doit être testé périodiquement, conformément aux codes locaux, au moins une fois par an ou plus selon les conditions de service.

S'il est installé sur un système d'extinction d'incendie, toutes les vérifications mécaniques, p. ex. les alarmes et les dispositifs anti-refoulement, doivent inclure une inspection et un test de débit en accord avec les normes NFPA 13 et/ou NFPA 25.

Des conditions d'eau corrosive et des réglages ou des réparations non autorisés peuvent rendre le produit inefficace pour le service prévu. Une vérification et un nettoyage réguliers des composants internes du produit peuvent prolonger la durée de vie maximale du produit et son bon fonctionnement.

#### **AVIS**

En Australie et en Nouvelle-Zélande, les crépines de conduite doivent être installées entre le robinet d'arrêt en amont et l'entrée du dispositif de prévention anti-refoulement.

Les raccords, tels que les embouts, destinés à raccorder des systèmes de tuyauterie alternatifs fabriqués à partir d'autres matériaux (tels que les plastiques) doivent également être conformes aux exigences dimensionnelles et de performance de la norme australienne, néo-zélandaise ou de la norme conjointe australo-néo-zélandaise appropriée pour le système de tuyauterie alternatif.

#### **Essai**

Pour la procédure d'essai sur le terrain, consultez les fiches IS-TK-DL, IS-TK-9A, IS-TK-99E et IS-TK-99D sur watts.com.

Pour les autres trousse de réparation et pièces de rechange, reportez-vous à notre liste de prix des trousse de réparation et des pièces de rechange pour les produits de prévention antirefoulement PL-RP-BPD sur le site watts.com.

Pour le soutien technique, veuillez communiquer avec votre représentant Watts local.



LF009 avec capteur d'inondation

Les ensembles de série 009, tailles ¼ po à 3 po (1,3 cm à 7,6 cm), comprennent chacune un capteur sur la soupape de décharge pour détecter une évacuation excessive et déclencher une notification d'un événement d'inondation potentiel.

#### **AVIS**

Une trousse de raccordement supplémentaire est nécessaire pour activer le capteur d'inondation. Sans la trousse de raccordement, le capteur d'inondation est un composant passif qui ne communique avec aucun autre appareil. (Une trousse de raccordement de modernisation de capteur est également disponible pour les installations existantes. Voir « Trusses de connexion de capteur complémentaire et de modernisation » pour les détails de commande.)

#### **AVIS**

L'utilisation du capteur d'inondation ne remplace pas le besoin de se conformer à toutes les instructions, à tous les codes et à toute la réglementation requis liés à l'installation, au fonctionnement et à la maintenance de ce produit, y compris le besoin d'assurer un drainage approprié en cas d'évacuation.

Watts n'est pas responsable de la défaillance des alertes due à des problèmes de connectivité, à des coupures de courant ou à une mauvaise installation.

# Directives d'installation

## À l'intérieur

Pour les installations intérieures, l'ensemble doit être facilement accessible pour faciliter les essais et l'entretien. S'il est situé dans une conduite près du mur, assurez-vous que les robinets d'essai sont facilement accessibles. Une conduite de vidange et un passage d'air doivent être installés à partir du raccord de la soupape de décharge, comme illustré à la figure 1. C'est à cet endroit que l'on voit clairement la trace d'une décharge, ce qui indique la nécessité de protéger l'appareil contre les dommages causés par l'eau. Par conséquent, n'installez jamais l'ensemble dans des emplacements dissimulés. (Pour plus d'informations, téléchargez la spécification ES-AG/EL/TC à l'adresse watts.com.)

## Extérieur

Dans une zone où il n'y a pas de conditions de gel, l'ensemble peut être installé à l'extérieur. L'installation la plus satisfaisante est celle qui se fait au-dessus du sol; c'est pourquoi l'ensemble doit être installé de cette façon.

Les dispositifs antirefoulement ne doivent pas être installés dans des fosses, sauf si les codes locaux l'autorisent. Dans de tels cas, une installation en fosse modifiée est préférable.

### AVIS

Dans une zone où des conditions de gel peuvent se produire, l'ensemble doit être installé au-dessus du sol dans une enceinte isolée, conformément à la figure 2. (Pour plus d'informations, téléchargez la spécification ES-WB à l'adresse watts.com.)

L'ensemble doit être installé dans un endroit accessible pour faciliter les essais et l'entretien. Une conduite d'évacuation doit être raccordée à partir du passage d'air au raccord de la soupape de décharge en s'assurant qu'il y a un drainage adéquat. N'acheminez jamais la conduite d'évacuation directement dans un fossé de drainage, un égout ou un puisard. Ne jamais installer l'ensemble à un emplacement où une partie de l'unité pourrait être submergée dans l'eau stagnante.

## En parallèle

Deux ensembles de plus petite taille ou plus peuvent être raccordés en parallèle (lorsqu'approuvés) pour servir un grand tuyau d'alimentation principal, comme illustré à la figure 3. Ce type d'installation existe quand il est nécessaire d'avoir une plus grande capacité que celle assurée par un robinet unique et permet le test et la maintenance d'un robinet individuel sans avoir à fermer tout le système d'alimentation.

L'ingénieur devra décider et déterminer le nombre de dispositifs utilisés en parallèle d'après les conditions de fonctionnement d'une installation spécifique.

En cas d'installation de vannes en parallèle, la capacité totale des ensembles doit être égale ou supérieure à celle requise par le système.

Figure 1

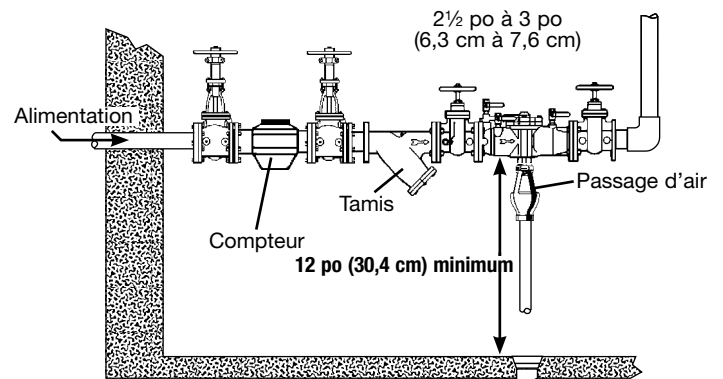


Figure 2

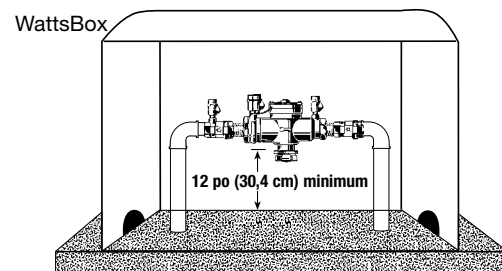
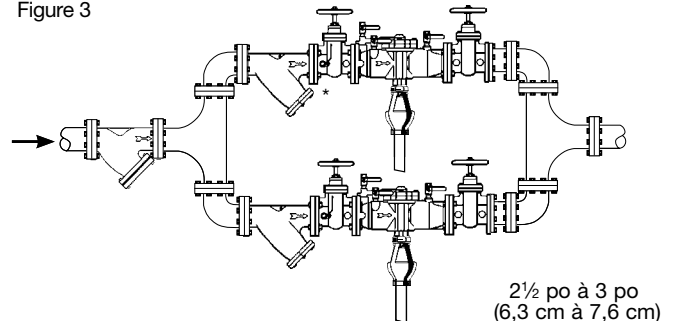


Figure 3



# Inspection annuelle

Une inspection annuelle de toutes les vannes de sécurité et de contrôle des systèmes d'eau est obligatoire et nécessaire. Une inspection, des tests et un nettoyage réguliers permettent de prolonger la durée de vie au maximum et d'assurer le bon fonctionnement du produit.

## AVIS

**Robinets d'arrêt :** Lorsque les vannes d'arrêt sont démontées et qu'il est nécessaire de les remonter, la vanne d'arrêt avec le robinet d'essai doit être montée du côté entrée du disconnecteur.

- A. L'ensemble doit toujours être installé dans un endroit facile d'accès pour les tests et l'entretien. **Consultez les codes d'État et locaux pour vous assurer que le dispositif anti-refoulement est conformément installé, par ex. à la bonne hauteur par rapport au sol.**
- B. Watts recommande d'installer une crépine en amont de l'ensemble afin de protéger les composants internes contre l'encrassement inutile.

## ⚠ MISE EN GARDE

Il n'est pas nécessaire d'ajouter une crépine lorsque le dispositif anti-refoulement est installé sur des conduites d'eau rarement utilisées, telles que des conduites de gicleurs d'incendie ou d'autres conduites utilisées uniquement en cas d'urgence.

**Démarrage :** Le robinet d'arrêt en aval doit être fermé. Ouvrez lentement le robinet d'arrêt en amont et remplissez la vanne. Quand la soupape est pleine, ouvrez lentement le robinet en aval et remplissez le système d'alimentation en eau. Il convient d'agir ainsi pour éviter les coups de bélier ou les dommages causés par le choc.

- C. Le déversement d'eau de la soupape de surpression doit être évacué en accord avec les codes obligatoires. Il convient de ne jamais raccorder solidement la soupape de surpression à une tranchée filtrante, une conduite d'égout ou un puisard. L'évacuation doit être terminée à environ 12 po (30,4 cm) au-dessus du sol ou à travers un passage d'air raccordé à un drain de plancher.

## AVIS

### Débits de refoulement de la soupape de décharge

L'installation d'un passage d'air sur la conduite de vidange qui se termine au-dessus d'un avaloir de sol permettra de gérer les évacuations ou nuisances ordinaires par la soupape de décharge. En revanche, il est possible qu'il faille que la taille du siphon soit conçue de sorte à empêcher les dégâts des eaux en cas de très mauvais état. Consultez la figure 4 pour les débits maximaux de décharge de la soupape de décharge, la taille et la capacité des avaloirs de sol typiques.

**Veillez à ne pas** réduire la taille de la conduite de vidange à partir du raccord entrefer. Les tuyaux doivent être de la taille d'une conduite complète.

- D. Après l'installation initiale, une évacuation par l'ouverture de la soupape de décharge peut se produire en raison d'un rinçage initial inadéquat des conduites pour éliminer la saleté et les composants des conduites. Si le rinçage ne suffit pas, retirez le premier clapet et nettoyez-le soigneusement.

## AVIS

Une décharge périodique de la soupape de décharge peut se produire dans les applications de service aux extrémités, telles que les conduites d'alimentation des chaudières ou les conduites d'appoint des tours de refroidissement, en raison de la fluctuation de la pression d'alimentation pendant une condition statique ou d'absence de débit. Pour éviter de telles décharges, installez un clapet antiretour à ressort et à siège en caoutchouc en amont de l'ensemble de refoulement pour « bloquer » la pression en aval.

- E. Il convient de ne jamais placer de dispositifs antirefoulement dans des puits sauf en cas d'absolue nécessité, auquel cas sous réserve d'une approbation par les codes locaux. Dans de tels cas, il convient de prévoir une évacuation au-dessus du niveau d'inondation ou une vidange de la fosse afin de garantir un passage d'air suffisant sous l'orifice de décharge.

- F. Les dispositifs anti-refoulement doivent être inspectés périodiquement afin de détecter toute décharge de la soupape de décharge, qui fournit une indication visuelle de la nécessité de nettoyer ou de réparer les clapets anti-retour. Le bon fonctionnement du dispositif doit également être vérifié périodiquement conformément aux codes locaux, mais au moins une fois par an ou plus souvent, en fonction des conditions du système.

L'évent de décharge évacue de l'eau lorsque, pendant les périodes sans débit, le premier clapet anti-retour est encrassé ou que la pression d'entrée dans le dispositif chute suffisamment en raison de fluctuations de la pression en amont pour affecter le différentiel de fonctionnement requis entre la pression d'entrée et la zone de pression réduite. Sinon, une telle décharge (rejets) peut se produire lorsque le deuxième clapet est encrassé lors d'un refoulement d'urgence ou à la suite d'un coup de bélier. (Pour en savoir plus, téléchargez le Guide de dépannage S-TSG.)

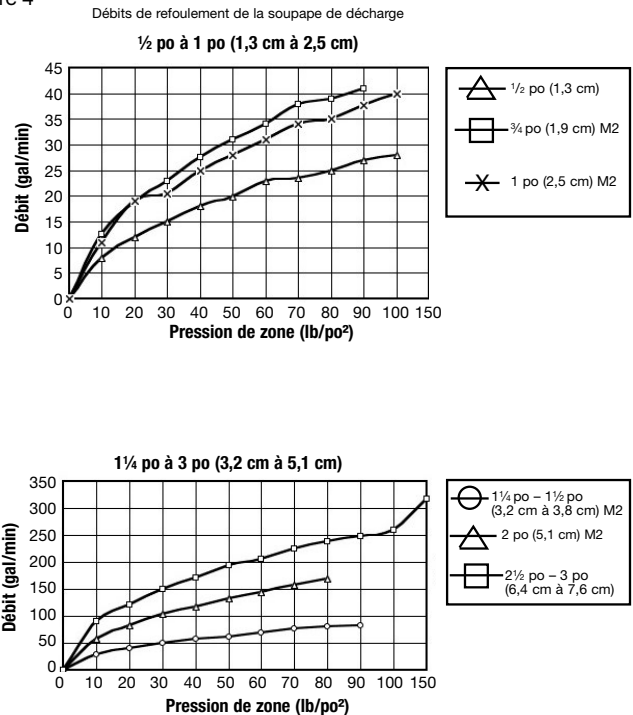
## AVIS

**Des considérations particulières doivent être prises en compte lors de l'essai des ensembles installés sur des systèmes de prévention des incendies.**

### Installations du système de protection contre les incendies :

Les lignes directrices de la National Fire Protection Agency (NFPA) exigent qu'un essai de confirmation du débit soit effectué chaque fois qu'une vanne de « conduite principale » comme un ensemble contre le refoulement ou les robinets d'arrêt ont été actionnées. Les testeurs certifiés des ensembles contre le refoulement doivent effectuer ce test pour confirmation.

Figure 4



### DÉBITS TYPES SELON LES DIMENSIONS PAR LES FABRICANTS DE SIPHONS DE SOL

2 po 55 gal/min	5 po 350 gal/min
3 po 112 gal/min	6 po 450 gal/min
4 po 170 gal/min	8 po 760 gal/min

# Entretien de la soupape de décharge

## AVIS

Aucun outil spécial n'est requis pour l'entretien des ensembles de 2½ po à 3 po (6,3 cm à 7,6 cm).

2½ po à 3 po (6,3 cm à 7,6 cm)

1. Détachez le module d'activation, le cas échéant, du capteur d'inondation, puis retirez le capteur de la soupape de décharge.
2. Retirez les quatre ou six boulons du couvercle de la soupape de décharge tout en maintenant le couvercle vers le bas.
3. Soulevez le couvercle tout droit. La tige et le diaphragme restent normalement avec le couvercle lors de leur retrait. Le ressort de la soupape de décharge est alors libre à l'intérieur du corps.
4. Le siège de la soupape de décharge est situé au fond de l'alésage du corps et peut être retiré, au besoin, pour le nettoyer. Le disque peut être nettoyé sans démonter le module de la soupape de décharge. S'il s'avère que le diaphragme et/ou le disque de la soupape de décharge doivent être remplacés, le module de la soupape de décharge peut être facilement démonté sans l'aide d'outils spéciaux.

## AVIS

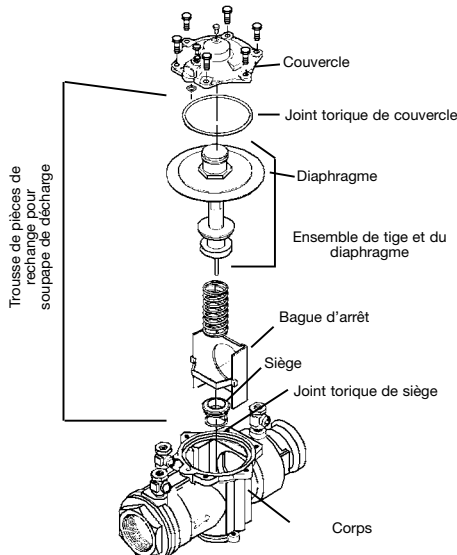
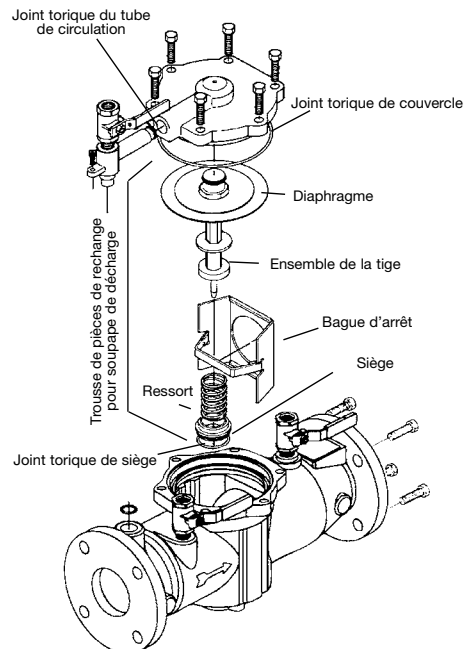
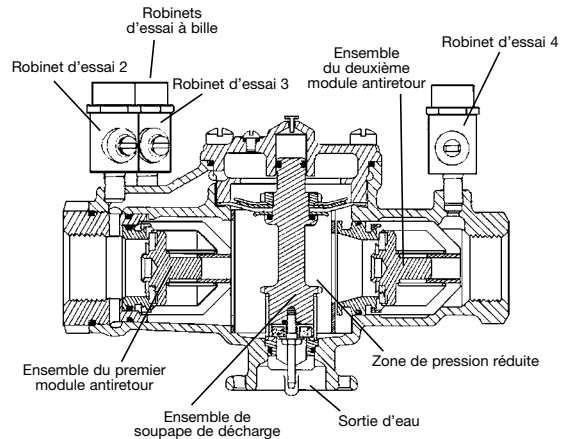
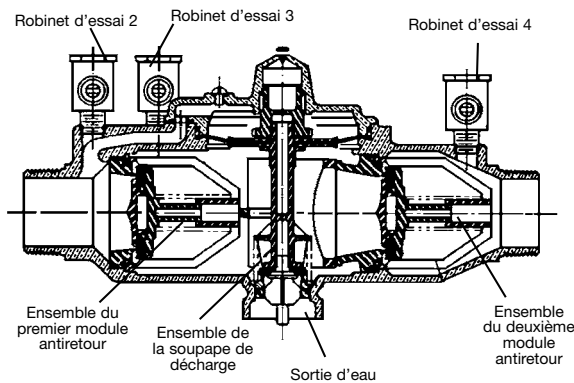
Le caoutchouc du disque est moulé dans le porte-disque et fait donc partie intégrante de l'ensemble du porte-disque.

5. Pour réassembler la soupape de décharge, appuyez fermement sur le siège pour le mettre en place dans le corps, centrez le ressort sur le siège et insérez le couvercle et le module de soupape de décharge ensemble dans l'alésage. Appuyez sur le couvercle pour assurer un alignement correct. Insérez et serrez les boulons.
6. Refixez le capteur d'inondation à la soupape de décharge et montez le module d'activation sur le capteur.

## AVIS

Si le couvercle ne s'appuie pas à plat sur le corps, l'ensemble de la tige est tordu et des dommages peuvent en résulter. Réalignez la tige et le couvercle avant d'insérer les boulons.

1 po à 2 po (2,5 à 5,1 cm)



# Entretien des premier et deuxième clapets antiretour

1. Retirez l'ensemble de soupape de décharge en suivant la procédure précédente.
2. Retirez le dispositif de retenue de l'alésage du corps. Les modules de clapets antiretour peuvent maintenant être retirés de la vanne à la main ou à l'aide d'un tournevis.

## AVIS

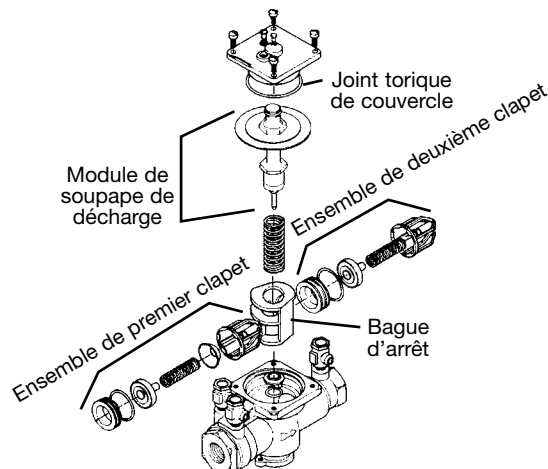
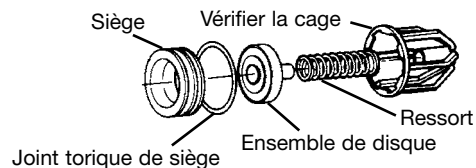
Les sièges et les ressorts des modules de premier et de deuxième clapet ne sont pas interchangeables. Le ressort plus lourd et le siège de plus petit diamètre doivent être équipés du premier module à clapet.

3. Les sièges de clapet sont fixés à la cage avec un dispositif de verrouillage de type baïonnette. En tenant la cage d'une main, poussez le siège vers l'intérieur et faites pivoter le bouton de 2 ½ po à 3 po (6,4 cm à 7,6 cm) dans le sens horaire de ¼ po à 2 po (0,6 cm à 5,1 cm) contre la cage. Le siège, la cage à ressort, le ressort et l'ensemble disque sont maintenant des composants individuels.
4. L'ensemble du disque peut maintenant être nettoyé et réassemblé ou, en fonction de son état, mis au rebut et remplacé par un nouvel ensemble de la trousse de réparation. Les joints toriques doivent être nettoyés ou remplacés au besoin et légèrement graissés avec de la graisse au silicone approuvée par la FDA.
5. Remonter les modules de clapet antiretour. Les modules de clapet sont installés dans le corps de vanne, le siège faisant face à l'entrée de la vanne. Les modules doivent être solidement en place avant de pouvoir remplacer le dispositif de retenue. Réinstallez la soupape de décharge ainsi que le capteur d'inondation et le module d'activation.

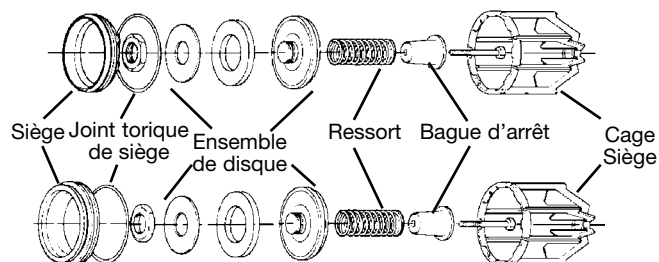
## AVIS

Aucun outil spécial n'est requis pour l'entretien des ensembles de 2 ½ po à 3 po (6,4 cm à 7,6 cm).

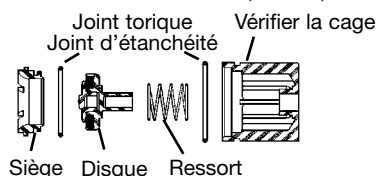
ENSEMBLE DE CLAPET 1 PO À 2 PO (2,5 CM À 5,1 CM)



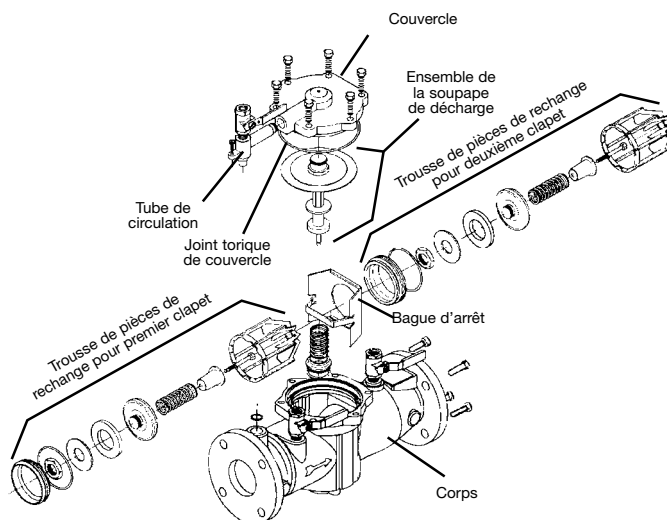
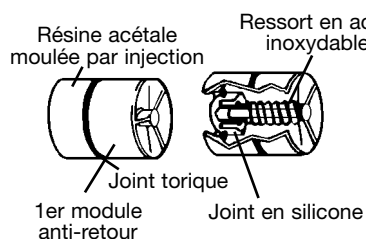
ENSEMBLE DE CLAPET 2 ½ PO À 3 PO (6,4 CM À 7,6 CM)



ENSEMBLE DE CLAPET ¼ PO (1,9 CM) M3







ENSEMBLE DE CLAPET ¼ PO À ¾ PO (0,6 CM À 1,9 CM)







## Dépannage

SYMPTÔME	CAUSE	SOLUTION
Le clapet antiretour ne retient pas une pression minimale différentielle de 1,0 lb/po <sup>2</sup>	Débris sur la surface d'étanchéité du disque de contrôle	Démonter et nettoyer
	Fuite du robinet d'isolement	Démontez et nettoyez ou réparez
	Disque de siège ou joint torique de siège endommagé	Démontez et remplacez
	Guide endommagé maintenant le clapet ouvert	Démontez et nettoyez ou remplacez
	Ressort faible ou cassé	Démontez et remplacez le ressort
Claquement pendant les conditions de débit	Guide usé, endommagé ou défectueux	Démontez et réparez ou remplacez le guide
Faibles débits passant par la vanne de la ligne principale	Clapet antiretour de ligne principale encrassé	Démonter et nettoyer
	Crépine de compteur bouchée	
	Disque de siège ou siège de la ligne principale endommagé	Démontez et remplacez
	Ressort de ligne principale cassé	

## Trousses de raccordement de capteur complémentaire et de modernisation pour les systèmes de gestion de bâtiment

CODE DE COMMANDE	TROUSSE COMPLÉMENTAIRE/ DE MODERNISATION	DESCRIPTION
88003056	 <p>FP-BF-BMS Trousse de raccordement de capteur BMS Séries 009, LF009, LFU009, SS009, U009 Tailles ½ po à 3 po (1,2 cm à 7,6 cm)</p>	Comprend un module d'activation de capteur avec câble, un déflecteur (4) un fil de mise à la terre et un adaptateur d'alimentation. Utilisez cette trousse pour activer le capteur d'inondation et activer les capacités de détection des inondations sur la soupape de décharge lors d'une nouvelle installation avec un régulateur BMS (non inclus).
88003057	 <p>FP-RFK-BF-BMS-CFS Trousse de connexion de mise à niveau de capteur BMS Séries 009, LF009, LFU009, SS009, U009 Tailles ½ po à ¾ po (1,2 cm à 1,9 cm)</p>	Comprend un capteur d'inondation, un déflecteur, un module d'activation de capteur avec câble, un fil de mise à la terre, et un adaptateur d'alimentation. Utilisez cette trousse pour installer un capteur d'inondation et activer les capacités de détection des inondations à la soupape de décharge d'une installation existante avec un régulateur BMS (non inclus).
88003058	 <p>FP-RFK-BF-BMS-CFS Trousse de connexion de mise à niveau de capteur BMS Séries 009, LF009, LFU009, SS009, U009 Tailles 1 po à 1½ po (2,5 cm à 3,8 cm)</p>	Comprend un capteur d'inondation, un déflecteur (2), un module d'activation de capteur avec câble, des boulons de montage, un fil de mise à la terre et un adaptateur d'alimentation. Utilisez cette trousse pour installer un capteur d'inondation et activer les capacités de détection des inondations à la soupape de décharge d'une installation existante avec un régulateur BMS (non inclus).
88003059	 <p>FP-RFK-BF-BMS-CFS Trousse de connexion de mise à niveau de capteur BMS Séries 009, LF009, LFU009, U009 Tailles 2 po à 3 po (5,1 cm à 7,6 cm)</p>	Comprend un capteur d'inondation, un déflecteur, un module d'activation de capteur avec câble, des boulons de montage, un fil de mise à la terre et un adaptateur d'alimentation. Utilisez cette trousse pour installer un capteur d'inondation et activer les capacités de détection des inondations à la soupape de décharge d'une installation existante avec un régulateur BMS (non inclus).

## Troussets de raccordement de capteur complémentaire et de modernisation pour communication cellulaire

CODE DE COMMANDE	TROUSSE COMPLÉMENTAIRE/ DE MODERNISATION	DESCRIPTION
88003060	 <p>FP-BF-CFS Trousse de raccordement de capteur cellulaire Séries 009, LF009, LFU009, SS009, U009 Tailles ½ po à 3 po (1,2 cm à 7,6 cm)</p>	Comprend un module d'activation de capteur avec câble, un déflecteur (4), une passerelle cellulaire avec trousse de montage, un fil de mise à la terre et un adaptateur d'alimentation. Utilisez cette trousse pour activer le capteur d'inondation et activer les capacités de détection des inondations sur la soupape de décharge d'une nouvelle installation fonctionnant avec la communication cellulaire pour envoi d'alertes par courriel, message texte ou appel vocal.
88003061	 <p>FP-RFK-BF-CFS Trousse de connexion de mise à niveau de capteur cellulaire Séries 009, LF009, LFU009, SS009, U009 Tailles ½ po à ¾ po (1,2 cm à 1,9 cm)</p>	Comprend un capteur d'inondation, un déflecteur, un module d'activation de capteur avec câble, une passerelle cellulaire avec trousse de montage, un fil de mise à la terre, et un adaptateur d'alimentation. Utilisez cette trousse pour installer le capteur d'inondation intégré et activer les capacités de détection des inondations sur la soupape de décharge lors d'une installation existante fonctionnant avec la communication cellulaire pour envoi d'alertes par courriel, message texte ou appel vocal.
88003062	 <p>FP-RFK-BF-CFS Trousse de connexion de mise à niveau de capteur cellulaire Séries 009, LF009, LFU009, SS009, U009 Tailles 1 po à 1½ po (2,5 cm à 3,8 cm)</p>	Comprend un capteur d'inondation, un déflecteur (2) un module d'activation de capteur avec câble, des boulons de montage, une passerelle cellulaire avec trousse de montage, un fil de mise à la terre et un adaptateur d'alimentation. Utilisez cette trousse pour installer le capteur d'inondation intégré et activer les capacités de détection des inondations sur la soupape de décharge lors d'une installation existante fonctionnant avec la communication cellulaire pour envoi d'alertes par courriel, message texte ou appel vocal.
88003063	 <p>FP-RFK-BF-CFS Trousse de connexion de mise à niveau de capteur cellulaire Séries 009, LF009, LFU009, U009 Tailles 2 po à 7 po (5,1 cm à 7,6 cm)</p>	Comprend un capteur d'inondation, un déflecteur, un module d'activation de capteur avec câble, des boulons de montage, une passerelle cellulaire avec trousse de montage, un fil de mise à la terre et un adaptateur d'alimentation. Utilisez cette trousse pour installer le capteur d'inondation intégré et activer les capacités de détection des inondations sur la soupape de décharge lors d'une installation existante fonctionnant avec la communication cellulaire pour envoi d'alertes par courriel, message texte ou appel vocal.

**Garantie limitée :** Watts (la « Société ») garantit que chacun de ses produits est exempt de vice de matériau et de fabrication dans des conditions normales d'utilisation pour une période d'un an à compter de la date d'expédition d'origine. Si les défauts susmentionnés venaient à se présenter au cours de la période sous garantie, la Société pourrait, à sa discrétion, être amenée à remplacer le produit ou le remettre en état, sans frais.

**LA PRÉSENTE GARANTIE EST DONNÉE EXPRESSÉMENT ET CONSTITUE LA SEULE GARANTIE DONNÉE PAR LA SOCIÉTÉ EN CE QUI CONCERNE LE PRODUIT. LA SOCIÉTÉ NE FORMULE AUCUNE AUTRE GARANTIE, EXPRESSE OU IMPLICITE. LA SOCIÉTÉ DÉCLINE AUSSI FORMELLEMENT PAR LA PRÉSENTE TOUTE AUTRE GARANTIE, EXPRESSE OU IMPLICITE, Y COMPRIS, SANS S'Y LIMITER, LES GARANTIES IMPLICITES DE QUALITÉ MARCHANDE ET D'APTITUDE À UN USAGE PARTICULIER.**

Le recours décrit dans le premier paragraphe de la présente garantie constitue le seul et unique recours en cas de violation de la garantie et la Société ne sera aucunement tenue responsable des dommages accessoires, spéciaux ou consécutifs, y compris, mais sans s'y limiter, le manque à gagner ou les coûts de réparation ou de remplacement d'autres biens endommagés si ce produit ne fonctionne pas correctement, les autres coûts résultant des frais de main-d'œuvre, des retards, du vandalisme, de la négligence, de l'encrassement causé par des matériaux étrangers, des dommages causés par des conditions de l'eau défavorables, des produits chimiques ou toute autre circonstance sur laquelle la Société n'a pas de contrôle. La présente garantie est déclarée nulle et non avenue en cas d'usage abusif ou incorrect, d'application, d'installation ou de maintenance inadéquates, voire de modification du produit.

Certains États n'autorisent pas les limitations de durée d'une garantie implicite, ni l'exclusion ou la limitation des dommages accessoires ou indirects. En conséquence, les limitations susmentionnées pourraient ne pas s'appliquer à votre cas. Cette garantie limitée vous confère des droits précis reconnus par la loi; vous pourriez également avoir d'autres droits, lesquels varient d'un État à l'autre. Vous devez donc prendre connaissance des lois applicables selon l'État pour déterminer vos droits. **LA DURÉE DE TOUTE GARANTIE IMPLICITE PRÉVUE PAR LA LOI APPLICABLE D'UN ÉTAT ET DEVANT DONC ÊTRE ASSUMÉE, NOTAMMENT LES GARANTIES IMPLICITES DE QUALITÉ MARCHANDE ET D'APTITUDE À UN USAGE PARTICULIER, SERA LIMITÉE À UN AN À PARTIR DE LA DATE DE L'EXPÉDITION D'ORIGINE.**

**W WATTS®**

É.-U. : Tél. : (978) 689-6066 • Watts.com

Canada : Tél. : (888) 208-8927 • Watts.ca

Amérique latine : Tél. : (52) 55-4122-0138 • Watts.com





# Manual de instalación, mantenimiento y reparación

## Serie 009, LF009, LFU009, SS009, U009

### Conjuntos de zonas de presión reducida

1/4" – 3" (0.64 cm a 7.62 cm)

#### ⚠ ADVERTENCIA



Lea este manual **ANTES** de utilizar este equipo.  
No leer ni seguir toda la información de seguridad y uso puede resultar en la muerte, lesiones personales graves, daño a la propiedad o daño al equipo.  
Guarde este manual para consultas posteriores.



#### ⚠ ADVERTENCIA

Los reglamentos locales de construcción o plomería pueden requerir modificaciones a la información proporcionada. Debe consultar los códigos locales de construcción y plomería antes de realizar la instalación. Si esta información no cumple con los códigos locales de construcción o plomería, se deben seguir los códigos locales.

#### ⚠ ADVERTENCIA

**Se requiere inspección y mantenimiento periódicos:** Se debe probar periódicamente este producto de conformidad con los reglamentos locales y al menos una vez al año o más, según lo requieran las condiciones de servicio.

Si se instala en un sistema de extinción de incendios, todas las verificaciones mecánicas, como alarmas y dispositivos de prevención de contraflujo deben probarse e inspeccionarse de acuerdo con las normas NFPA 13 y/o NFPA 25.

Las condiciones corrosivas del agua y/o los ajustes o las reparaciones no autorizados podrían hacer que el producto sea ineficaz en el servicio previsto. La verificación y limpieza periódica de los componentes internos del producto ayudan a garantizar la máxima vida útil y el correcto funcionamiento del producto.

#### AVISO

Para Australia y Nueva Zelanda, se deben instalar coladores de línea entre la válvula de cierre de aguas arriba y la entrada del dispositivo de prevención de reflujo.

Los accesorios como conectores finales destinados a unir sistemas de tuberías alternativos hechos de otros materiales (como plásticos) también deben cumplir con los requisitos dimensionales y de rendimiento relevantes del estándar australiano, neozelandés o conjunto australiano–Nueva Zelanda para el sistema de tuberías alternativo.

#### Pruebas

Para conocer el procedimiento de prueba de campo, consulte IS-TK-DL, IS-TK-99E e IS-TK-99D en [watts.com](http://watts.com).

Para otros kits de reparación y piezas de repuesto, consulte los kits de reparación de productos para prevención de flujo de retorno y la lista de precios de piezas de servicio PL-RP-BPD en [www.watts.com](http://www.watts.com).

Para obtener asistencia técnica, póngase en contacto con su representante local de Watts.



LF009 con sensor de inundación

Los conjuntos de la serie 009, de tamaños de 1/2" a 3" (0.64 cm a 7.62 cm), incluyen un sensor en la válvula de alivio para detectar la descarga excesiva y activar la notificación de un posible evento de inundación.

#### AVISO

Se requiere un kit de conexión de complemento para activar el sensor de inundación. Sin el kit de conexión, el sensor de inundación es un componente pasivo sin comunicación con ningún otro dispositivo. (También está disponible un kit de conexión de sensor de retroadaptación para instalaciones existentes. Consulte "Kits de conexión de sensores de complemento y retroadaptación" para obtener detalles del pedido.)

#### AVISO

El uso del sensor de inundación no sustituye la necesidad de cumplir con todas las instrucciones, códigos y reglamentos requeridos relacionados con la instalación, el funcionamiento y el mantenimiento de este producto, incluida la necesidad de proporcionar un drenaje adecuado en caso de una descarga.

Watts no es responsable de la falla de las alertas debido a problemas de conectividad, cortes de energía o instalación incorrecta.

# Pautas de instalación

## Interiores

Para instalaciones en interiores, el conjunto debe ser de fácil acceso para facilitar las pruebas y el servicio. Si se encuentra en una línea cerca de la pared, asegúrese de que los puertos de prueba sean fácilmente accesibles. Se debe conectar una línea de drenaje y un espacio de aire desde la conexión de la válvula de alivio, como se muestra en la figura 1. Aquí es donde la evidencia de descarga es claramente visible, lo que indica la necesidad de proteger contra daños causados por el agua. Por lo tanto, nunca instale el conjunto en lugares ocultos. (Para obtener más información, descargue la especificación ES-AG/EL/TC en watts.com.)

## Exteriores

En un área donde no se producen condiciones de congelación, el conjunto puede instalarse en exteriores. La instalación más satisfactoria es sobre el piso; por lo tanto, el conjunto debe instalarse de esta manera.

Los dispositivos de prevención de contraflujo no deben instalarse en pozos a menos que lo aprueben los códigos locales. En tales casos, se prefiere una instalación de pozo modificada.

### AVISO

En un área en donde se pueden producir condiciones de congelación, el conjunto debe instalarse sobre el piso en un gabinete aislado, como se muestra en la figura 2. (Para obtener más información, descargue la especificación ES-WB en watts.com.)

El conjunto debe instalarse en un lugar accesible para facilitar las pruebas y el servicio. Se debe entubar una línea de descarga desde el espacio de aire en la conexión de la válvula de alivio para asegurar el drenaje adecuado. Nunca canalice la línea de descarga directamente en una zanja de drenaje, alcantarillado o sumidero. Nunca instale el conjunto en lugares en los que cualquier parte de la unidad pueda sumergirse en agua estancada.

## Paralelo

Se pueden conectar dos o más conjuntos más pequeños en paralelo (cuando se apruebe) para servir a una tubería principal de suministro grande, como se muestra en la figura 3. Este tipo de instalación se emplea cuando se necesita una mayor capacidad que la proporcionada por una sola válvula y permite probar o reparar una válvula individual sin cerrar la línea completa.

El número de conjuntos utilizados en paralelo debe determinarse según el criterio del ingeniero en función de las condiciones de operación de una instalación específica.

Para instalaciones de válvulas paralelas, la capacidad total de los conjuntos debe ser igual o superior a la requerida por el sistema.

Figura 1

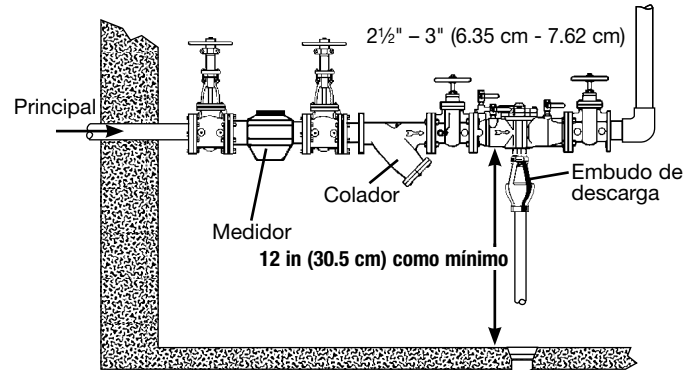


Figura 2

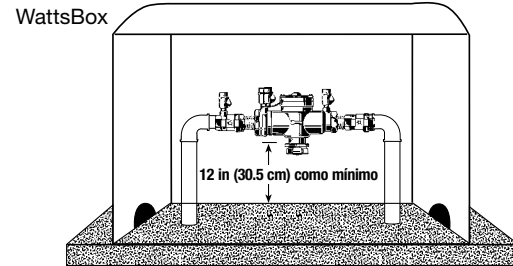
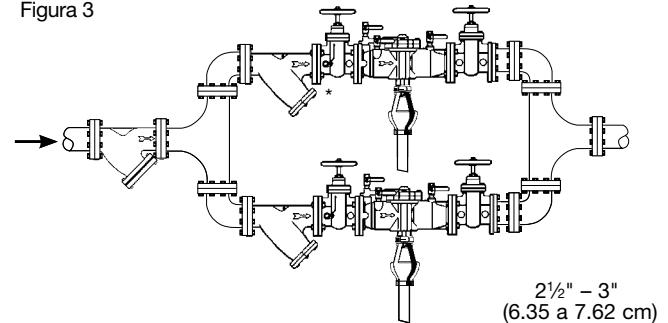


Figura 3



# Inspección anual

Se requiere y es necesaria una inspección anual de todas las válvulas de seguridad y control del sistema de agua. La inspección, las pruebas y la limpieza periódicas aseguran una vida útil máxima y un funcionamiento adecuado del producto.

## AVISO

**Válvulas de cierre:** Cuando se retiran las válvulas de cierre y es necesario volver a ensamblar, la válvula de cierre con el puerto de prueba deben colocarse en el lado de entrada del dispositivo de prevención de contraflujo.

- A. El conjunto siempre debe instalarse en un lugar accesible para facilitar las pruebas y el mantenimiento. **Verifique los reglamentos estatales y locales para asegurarse de que el dispositivo de prevención de reflujo esté instalado en cumplimiento, como la altura adecuada sobre el suelo.**
- B. Watts recomienda que se instale un colador adelante del conjunto para proteger los componentes internos de suciedad innecesaria.

## ⚠ PRECAUCIÓN

No agregue un colador cuando el preventor de contraflujo esté instalado en líneas de agua poco utilizadas, como líneas de rociadores contra incendios u otras que se requieran solo durante emergencias.

**Arranque:** El cierre de corriente descendente debe cerrarse. Abra lentamente el cierre del flujo ascendente y llene la válvula. Cuando la válvula esté llena, abra lentamente el cierre de aguas abajo y llene el sistema de suministro de agua. Esto es necesario para evitar golpes de ariete o daños por golpes.

- C. La descarga de agua de la válvula de alivio debe ventilarse de acuerdo con los requisitos del código. La válvula de alivio nunca debe conectarse sólidamente a un canal de desagüe, alcantarillado o sumidero. Se debe terminar la descarga aproximadamente a 12 in (30 cm) por encima del suelo o a través de un espacio de aire conectado a un drenaje del piso.

## AVISO

### Velocidades de descarga de la válvula de alivio

La instalación de un espacio de aire con la línea de drenaje que termina sobre un desagüe en el piso maneja cualquier descarga normal o escupida a través de la válvula de alivio. Sin embargo, es posible que sea necesario diseñar el tamaño del desagüe del suelo para evitar daños por agua causados por una condición de falla catastrófica. Consulte la figura 4 para conocer las tasas máximas de descarga de la válvula de alivio, el tamaño y la capacidad de los drenajes de piso típicos.

**No** reduzca el tamaño de la línea de drenaje del empalme de espacio de aire. Tubería de tamaño completo.

- D. Después de la instalación inicial, puede producirse una descarga de la abertura de la válvula de alivio debido al lavado inicial inadecuado de las tuberías para eliminar la suciedad y los compuestos de la tubería. Si el lavado no aclara, retire la primera válvula de retención y límpiela a fondo.

## AVISO

La descarga periódica de la válvula de alivio puede ocurrir en aplicaciones de servicio sin salida, como líneas de alimentación de calderas o líneas de composición de torres de enfriamiento debido a la fluctuación de la presión de suministro durante una condición estática o sin flujo. Para evitar esta descarga, instale una válvula de retención de asiento de goma accionada por resorte adelante del conjunto de contraflujo para "bloquear" la presión descendente.

- E. Los dispositivos de prevención de contraflujo nunca deben colocarse en los pozos a menos que sea absolutamente necesario y solo cuando lo aprueben los códigos locales. En tales casos, se debe disponer que siempre se ventile por encima del nivel de inundación o que se drene un pozo para asegurar un espacio de aire adecuado debajo del puerto de alivio.

- F. Los dispositivos de prevención de contraflujo deben inspeccionarse periódicamente para detectar cualquier descarga de la válvula de alivio que proporcione una indicación visual de necesidad de limpieza o reparación de las válvulas de retención. También se deben realizar pruebas periódicas de funcionamiento adecuado del dispositivo de conformidad con los códigos locales, pero al menos una vez al año o con mayor frecuencia, según las condiciones del sistema.

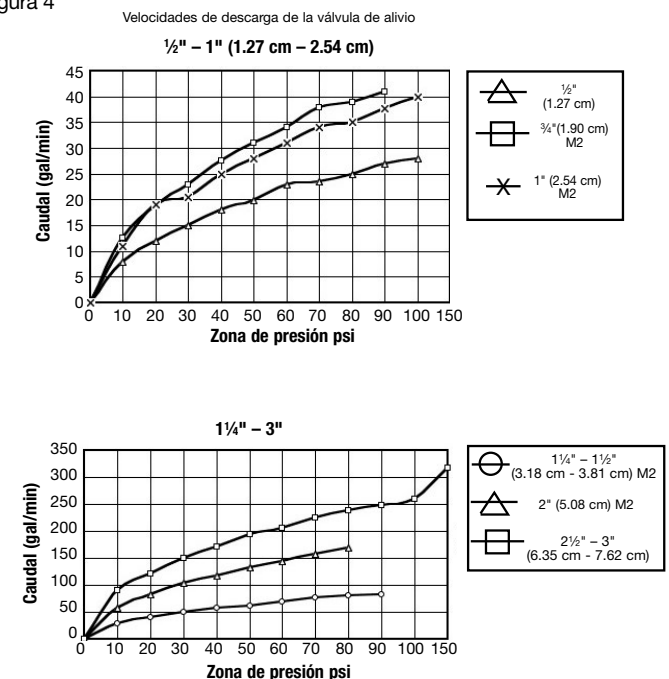
La ventilación de alivio descarga agua cuando, durante los periodos sin flujo, la primera válvula de retención está obstruida o la presión de entrada al dispositivo cae lo suficiente debido a las fluctuaciones de presión ascendentes para afectar el diferencial de operación requerido entre la presión de entrada y la zona de presión reducida. De lo contrario, tal alivio (salpicadura) puede ocurrir cuando la segunda retención se ensucia durante el contraflujo de emergencia o como resultado de una condición de golpe de ariete. (Para obtener más información, descargue la Guía de resolución de problemas S-TSG en watts.com.)

## AVISO

**Son necesarias consideraciones especiales cuando se prueban conjuntos instalados en sistemas de prevención de incendios.**

**Instalaciones del sistema de protección contra incendios:** Las directrices de la Agencia Nacional de Protección de Incendios (NFPA) exigen que se realice una prueba de flujo de confirmación siempre que se haya operado una válvula de "línea principal", como un conjunto de contraflujo o las válvulas de cierre. Los probadores certificados de conjuntos de reflujo deben realizar esta prueba de confirmación.

Figura 4



### CAUDALES TÍPICOS SEGÚN EL TAMAÑO DE LOS FABRICANTES DE DESAGÜES DE SUELO

2" 55 gpm	5" 350 gpm
3" 112 gpm	6" 450 gpm
4" 170 gpm	8" 760 gpm

# Mantenimiento de la válvula de alivio

## AVISO

No se requieren herramientas especiales para dar servicio a tamaños de conjunto de 2½" a 3" (6.35 cm a 7.62 cm).

1. Desconecte el módulo de activación, si está instalado, del sensor de inundación, luego retire el sensor de la válvula de alivio.
2. Retire los cuatro o seis pernos de la tapa de la válvula de alivio mientras mantiene la tapa hacia abajo.
3. Levante la cubierta en forma recta. El conjunto de vástago y diafragma normalmente permanece con la cubierta conforme se retira. El resorte de la válvula de alivio está libre dentro del cuerpo en este punto.
4. El asiento de la válvula de alivio se encuentra en la parte inferior del orificio del cuerpo y si es necesario puede retirarse para su limpieza. El disco se puede limpiar sin desmontar el módulo de la válvula de alivio. Si se determina que el diafragma y/o el disco de la válvula de alivio deben reemplazarse, el módulo de la válvula de alivio puede desmontarse fácilmente sin usar herramientas especiales.

## AVISO

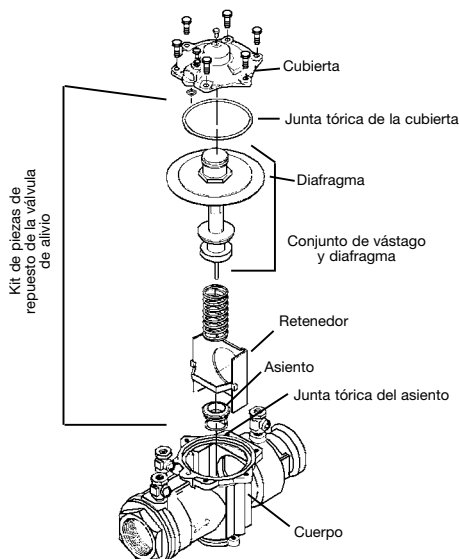
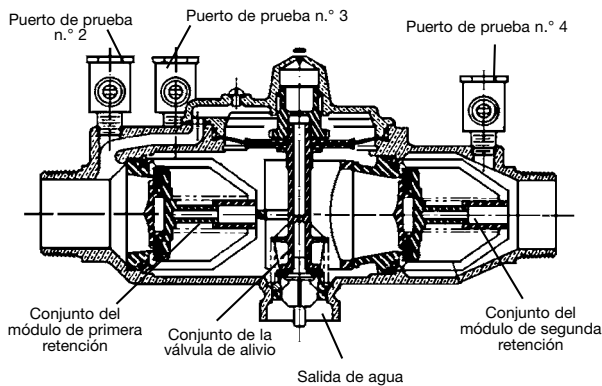
La goma del disco se moldea en el soporte del disco y se suministra como un ensamble de soporte de disco.

5. Para volver a ensamblar la válvula de alivio, presione el asiento firmemente en su lugar en el cuerpo, centre el resorte en el asiento e inserte la cubierta y el módulo de la válvula de alivio como una unidad recta en el orificio. Presione la cubierta hacia abajo para asegurar la alineación adecuada. Inserte y apriete los pernos.
6. Vuelva a conectar el sensor de inundación a la válvula de alivio y monte el módulo de activación en el sensor.

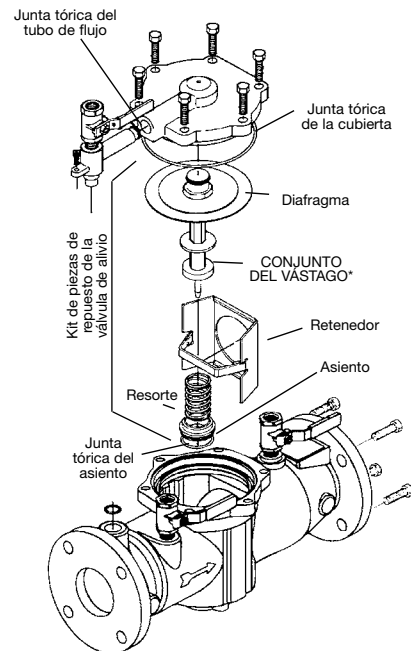
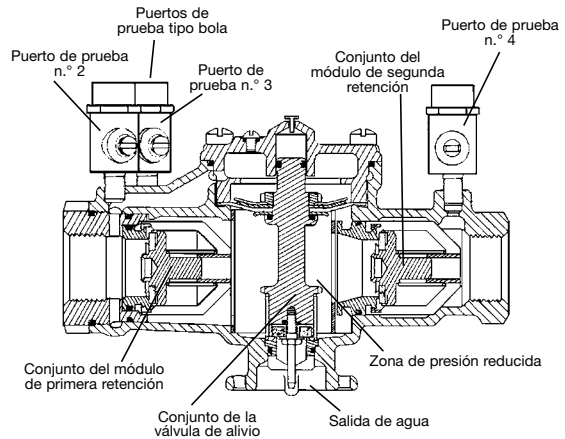
## AVISO

Si la cubierta no presiona contra el cuerpo, el conjunto del vástago está torcido y puede dañarse. Vuelva a alinear el vástago y la cubierta antes de insertar los pernos.

1" - 2"



2½" - 3" (6.35 cm a 7.62 cm)



# Mantenimiento de las primeras y segundas válvulas de retención

1. Retire el conjunto de la válvula de alivio siguiendo el procedimiento anterior.
2. Retire el retenedor del orificio del cuerpo. Ahora los módulos de la válvula de retención se pueden retirar de la válvula a mano o con un desarmador.

## AVISO

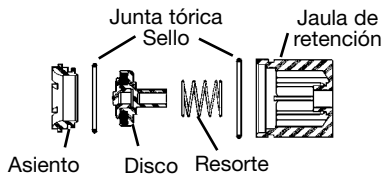
Los asientos y resortes del primer y segundo módulo de retención no son intercambiables. El resorte más pesado y el asiento de menor diámetro pertenecen al primer módulo de retención.

3. Los asientos de retención están sujetos a la jaula con un sistema de bloqueo tipo bayoneta. Sosteniendo la jaula con una mano, empuje el asiento hacia adentro y gire a la izquierda de 2½" a 3" (6.35 cm a 7.62 cm); a la derecha de ¼" a 2" (0.64 cm a 5.08 cm) contra la jaula. El asiento, la caja de resorte, el resorte y el conjunto del disco son ahora componentes individuales.
4. El conjunto de discos ahora puede limpiarse y volverse a ensamblar o, dependiendo de su condición, desechar y reemplazar con un conjunto nuevo del kit de reparación. Las juntas tóricas deben limpiarse o reemplazarse según sea necesario y engrasarse ligeramente con la grasa de silicio aprobada por la FDA.
5. Vuelva a montar los módulos de la válvula de retención. Compruebe que los módulos estén instalados en el cuerpo de la válvula con el asiento orientado hacia la entrada de la válvula. Los módulos deben estar bien colocados antes de poder sustituir el retenedor. Vuelva a instalar el conjunto de la válvula de alivio, así como el sensor de inundación y el módulo de activación.

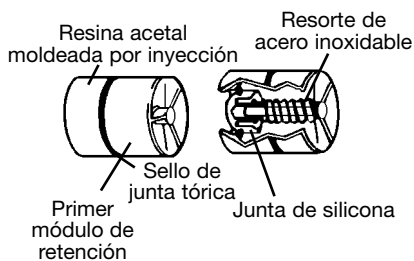
## AVISO

No se requieren herramientas especiales para dar servicio a tamaños de conjunto de 2½" a 3" (6.35 cm a 7.62 cm).

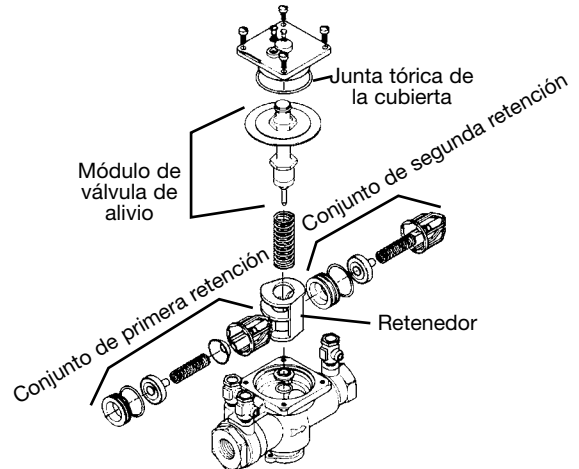
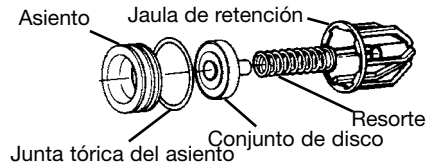
CONJUNTO DE RETENCIÓN ¾" (1.90 cm) M3



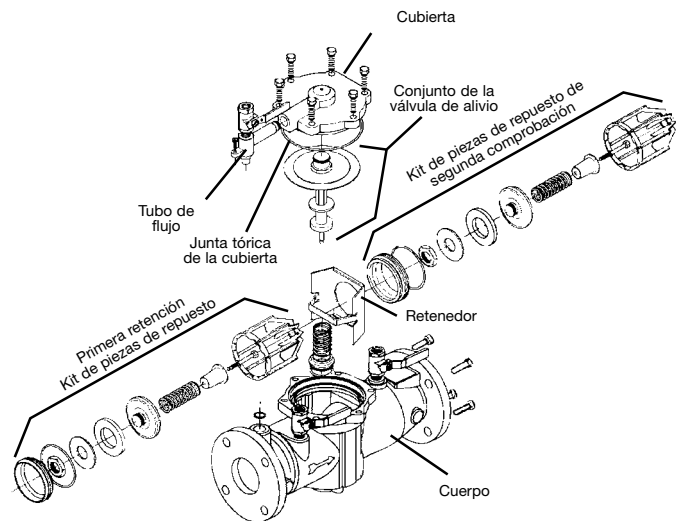
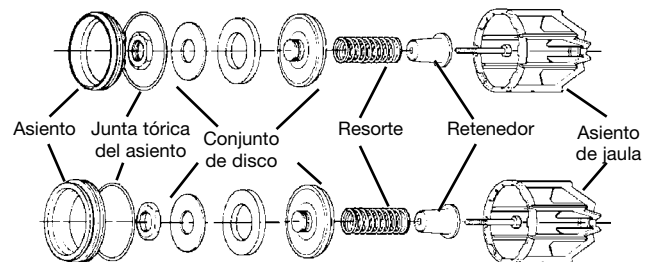
CONJUNTO DE RETENCIÓN DE ¼" - ¾" (0.64 cm - 1.90 cm)



CONJUNTO DE RETENCIÓN DE 1" - 2" (2.54 - 5.08 cm)



CONJUNTO DE RETENCIÓN DE 2½" - 3" (6.35 cm a 7.62 cm)







## Solución de problemas

SÍNTOMA	CAUSA	SOLUCIÓN
La válvula de retención no logra retener un mínimo de 1.0 psid (7 kPa)	Residuos en la superficie de sellado del disco de retención	Desmontaje y limpieza
	Válvula de aislamiento con fuga	Desmontar y limpiar o reparar
	Disco del asiento o junta tórica del asiento dañados	Desmontaje y sustitución
	Guía que sujeta la retención abierta dañada	Desmontar y limpiar o sustituir
	Resorte débil o roto	Desmontaje y sustitución del resorte
Traqueteo durante las condiciones de flujo	Guía desgastada, dañada o defectuosa	Desmontaje y reparación o sustitución de la guía
Flujos bajos que pasan a través de la válvula de línea principal	Control de la línea principal atascada	Desmontaje y limpieza
	Colador del medidor obstruido	
	Disco o asiento de la línea principal dañado	Desmontaje y sustitución
	Resorte de línea principal roto	

## Kits de conexión de sensores de complemento y retroadaptación para sistemas de gestión de edificios

CÓDIGO DE PEDIDO	KIT ADICIONAL/ RETROADAPTACIÓN	DESCRIPCIÓN
88003056	 <p>FP-BF-BMS Kit de conexión del sensor BMS Serie 009, LF009, LFU009, SS009, U009 Tamaños de ½" a 3" (1.27 cm a 7.62 cm)</p>	Incluye un módulo de activación del sensor con cable, deflector (4), cable de tierra y adaptador de corriente. Utilice este kit para activar el sensor de inundación y habilitar las capacidades de detección de inundación en la válvula de alivio de una nueva instalación conectada a un controlador BMS (no incluido).
88003057	 <p>FP-RFK-BF-BMS-CFS Kit de conexión de retroadaptación del sensor del BMS (sistema de gestión del edificio) Serie 009, LF009, LFU009, SS009, U009 Tamaños de ½" a ¾" (1.27 cm a 1.90 cm)</p>	Incluye sensor de inundación, deflector, módulo de activación del sensor con cable, cable de tierra y adaptador de corriente. Utilice este kit para instalar el sensor de inundación y habilitar las capacidades de detección de inundaciones en la válvula de alivio de una instalación existente vinculada a un controlador BMS (no incluido).
88003058	 <p>FP-RFK-BF-BMS-CFS Kit de conexión de retroadaptación del sensor del BMS (sistema de gestión del edificio) Serie 009, LF009, LFU009, SS009, U009 Tamaños de 1" a 1½" (2.54 cm a 3.81 cm)</p>	Incluye un sensor de inundación, deflector (2), módulo de activación de sensor con cable, pernos de montaje, cable de conexión a tierra y adaptador de corriente. Utilice este kit para instalar el sensor de inundación y habilitar las capacidades de detección de inundaciones en la válvula de alivio de una instalación existente vinculada a un controlador BMS (no incluido).
88003059	 <p>FP-RFK-BF-BMS-CFS Kit de conexión de retroadaptación del sensor del BMS (sistema de gestión del edificio) Serie 009, LF009, LFU009, U009 Tamaños de 2" a 3" (5.08 cm a 7.62 cm)</p>	Incluye un sensor de inundación, deflector, módulo de activación de sensor con cable, pernos de montaje, cable de conexión a tierra y adaptador de corriente. Utilice este kit para instalar el sensor de inundación y habilitar las capacidades de detección de inundaciones en la válvula de alivio de una instalación existente vinculada a un controlador BMS (no incluido).

## Kits de conexión de sensores de complemento y de retroadaptación para la comunicación celular

CÓDIGO DE PEDIDO	KIT ADICIONAL/ RETROADAPTACIÓN	DESCRIPCIÓN
88003060	 <p>FP-BF-CFS Kit de conexión del sensor celular Serie 009, LF009, LFU009, SS009, U009 Tamaños de ½" a 3" (1.27 cm a 7.62 cm)</p>	<p>Incluye un módulo de activación de sensor con cable, deflector (4), puerta de enlace celular con kit de montaje, adaptador de corriente y cable de tierra. Utilice este kit para activar el sensor de inundación y habilitar las capacidades de detección de inundaciones en la válvula de alivio de una nueva instalación vinculada a una comunicación celular para enviar alertas por correo electrónico, mensaje de texto SMS o llamada de voz.</p>
88003061	 <p>FP-RFK-BF-CFS Kit de conexión de retroadaptación del sensor celular Serie 009, LF009, LFU009, SS009, U009 Tamaños de ½" a ¾" (1.27 cm a 1.90 cm)</p>	<p>Incluye sensor de inundación, deflector, módulo de activación de sensor con cable, puerta de enlace celular con kit de montaje, adaptador de corriente y cable de tierra. Utilice este kit para instalar el sensor de inundación y habilitar las capacidades de detección de inundación en la válvula de alivio de una instalación existente vinculada a una comunicación celular para enviar alertas por correo electrónico, mensaje de texto SMS o llamada de voz.</p>
88003062	 <p>FP-RFK-BF-CFS Kit de conexión de retroadaptación del sensor celular Serie 009, LF009, LFU009, SS009, U009 Tamaños de 1" a 1½" (2.54 cm a 3.81 cm)</p>	<p>Incluye sensor de inundación, deflector (2), módulo de activación de sensor con cable, pernos de montaje, puerta de enlace celular con kit de montaje, adaptador de corriente y cable de tierra. Utilice este kit para instalar el sensor de inundación y habilitar las capacidades de detección de inundación en la válvula de alivio de una instalación existente vinculada a una comunicación celular para enviar alertas por correo electrónico, mensaje de texto SMS o llamada de voz.</p>
88003063	 <p>FP-RFK-BF-CFS Kit de conexión de retroadaptación del sensor celular Serie 009, LF009, LFU009, U009 Tamaños de 2" a 3" (5.08 cm a 7.62 cm)</p>	<p>Incluye sensor de inundación, deflector, módulo de activación de sensor con cable, pernos de montaje, puerta de enlace celular con kit de montaje, adaptador de corriente y cable de tierra. Utilice este kit para instalar el sensor de inundación y habilitar las capacidades de detección de inundación en la válvula de alivio de una instalación existente vinculada a una comunicación celular para enviar alertas por correo electrónico, mensaje de texto SMS o llamada de voz.</p>

**Garantía limitada:** Watts (la "Compañía") garantiza que cada producto está libre de defectos en los materiales y la mano de obra en condiciones de uso normal en el período de un año a partir de la fecha de envío original. En caso de que tales defectos se presenten dentro del período de garantía, la Compañía, a su criterio, reemplazará o reacondicionará el producto sin cargo alguno.

**LA GARANTÍA ESTABLECIDA EN ESTE DOCUMENTO SE OTORGA EXPRESAMENTE Y ES LA ÚNICA GARANTÍA OTORGADA POR LA COMPAÑÍA CON RESPECTO AL PRODUCTO. LA COMPAÑÍA NO OFRECE NINGUNA OTRA GARANTÍA, EXPRESA NI IMPLÍCITA. POR ESTE MEDIO, LA COMPAÑÍA RENUNCIA ESPECÍFICAMENTE A TODAS LAS DEMÁS GARANTÍAS, EXPRESAS O IMPLÍCITAS, INCLUIDAS, ENTRE OTRAS, LAS GARANTÍAS IMPLÍCITAS DE COMERCIABILIDAD E IDONEIDAD PARA UN PROPÓSITO EN PARTICULAR.**

El recurso descrito en el primer párrafo de esta garantía constituirá el único y exclusivo recurso por incumplimiento de la garantía, y la Compañía no será responsable de ningún daño incidental, especial o consecuente, incluidos, entre otros, la pérdida de ganancias o el costo de reparación o reemplazo de otros bienes dañados si este producto no funciona correctamente, otros costos resultantes de cargos laborales, demoras, vandalismo, negligencia, contaminación causada por materiales extraños, daños por condiciones adversas del agua, productos químicos o cualquier otra circunstancia sobre la cual la Compañía no tenga control. Esta garantía quedará anulada por cualquier abuso, uso indebido, aplicación inadecuada, instalación o mantenimiento incorrectos, así como la alteración inadecuada del producto.

Algunos estados no permiten limitaciones sobre la duración de una garantía implícita y otros estados no permiten la exclusión o limitación de daños incidentales o consecuentes. Por lo tanto, es posible que las limitaciones anteriores no se apliquen a usted. Esta garantía limitada le otorga derechos legales específicos y es posible que tenga otros derechos que varían de un estado a otro. Debe consultar las leyes estatales correspondientes para determinar sus derechos. **EN LA MEDIDA QUE SEA CONSISTENTE CON LAS LEYES ESTATALES VIGENTES, CUALQUIER GARANTÍA IMPLÍCITA QUE NO PUEDA SER RECHAZADA, INCLUIDAS LAS GARANTÍAS IMPLÍCITAS DE COMERCIABILIDAD E IDONEIDAD PARA UN PROPÓSITO PARTICULAR, TIENE UNA DURACIÓN LIMITADA A UN AÑO A PARTIR DE LA FECHA DE ENVÍO ORIGINAL.**



**EE. UU.:** Tel.: (978) 689-6066 • Watts.com

**Canadá:** Tel.: (888) 208-8927 • Watts.ca

**Latinoamérica:** Tel.: (52) 55-4122-0138 • Watts.com

