

INSTALLATION INSTRUCTIONS

P24490-CR, P24490-LV, P24491-CR,
P24491-LV, P24492-CR, P24492-LV,
P24700, P24705, P24706, P24736, P24800

INSTALLATION INSTRUCTIONS

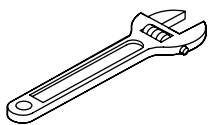
THANK YOU FOR CHOOSING KALLISTA

We appreciate your commitment to KALLISTA quality products. Please take a moment to review this manual before you install your KALLISTA product. If you encounter any installation or performance problems, please do not hesitate to contact us at the phone number listed at the bottom of the page.

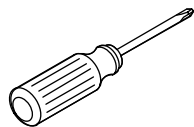
IMPORTANT INFORMATION

- Before installation, unpack the new faucet and inspect it for damage. Return the faucet to its protective carton until you are ready to install it.
- Observe all local plumbing and building codes.
- Shut off the water supply.
- Inspect the drain and supply tubing. Replace if necessary.
- If possible, assemble the faucet to the lavatory before installing the lavatory.
- The appearance of your product may differ from what is shown in these instructions, however, the installation procedure is the same.
- KALLISTA reserves the right to make revisions in the design of products without notice, as specified in the Price Book.

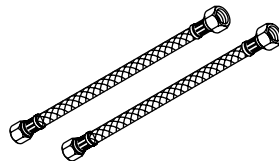
TOOLS AND MATERIALS



Adjustable
Wrench



Phillips
Screwdriver



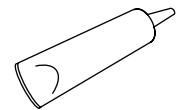
Supply
Hoses



Thread
Sealant



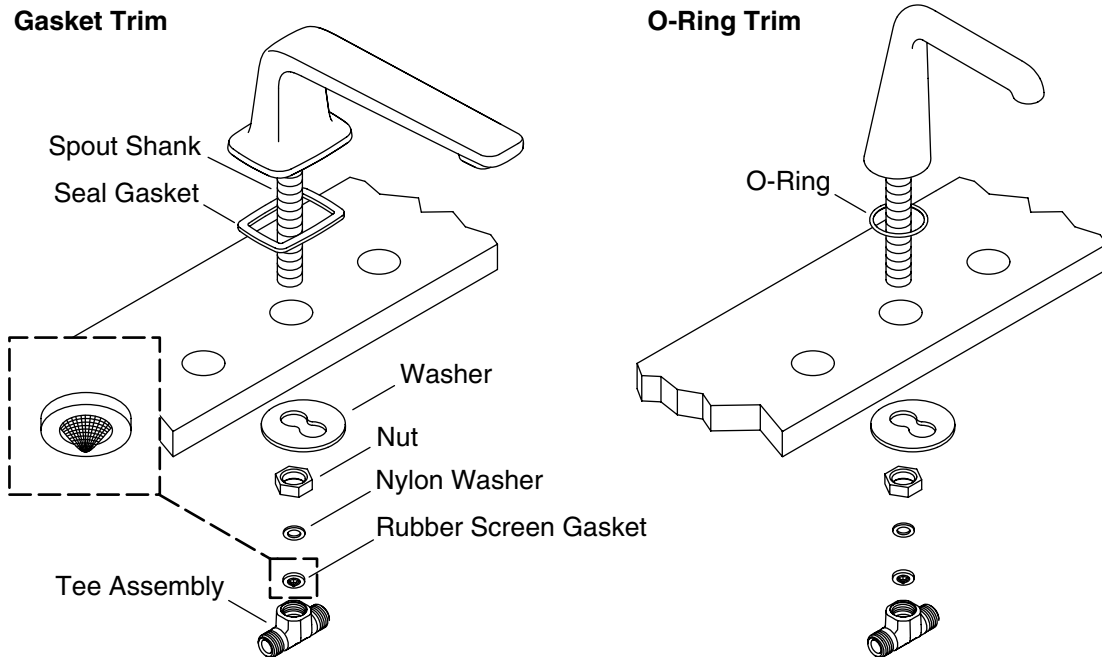
Plumbers
Putty



100% Silicone
Sealant

INSTALLATION INSTRUCTIONS

1. INSTALL THE SPOUT

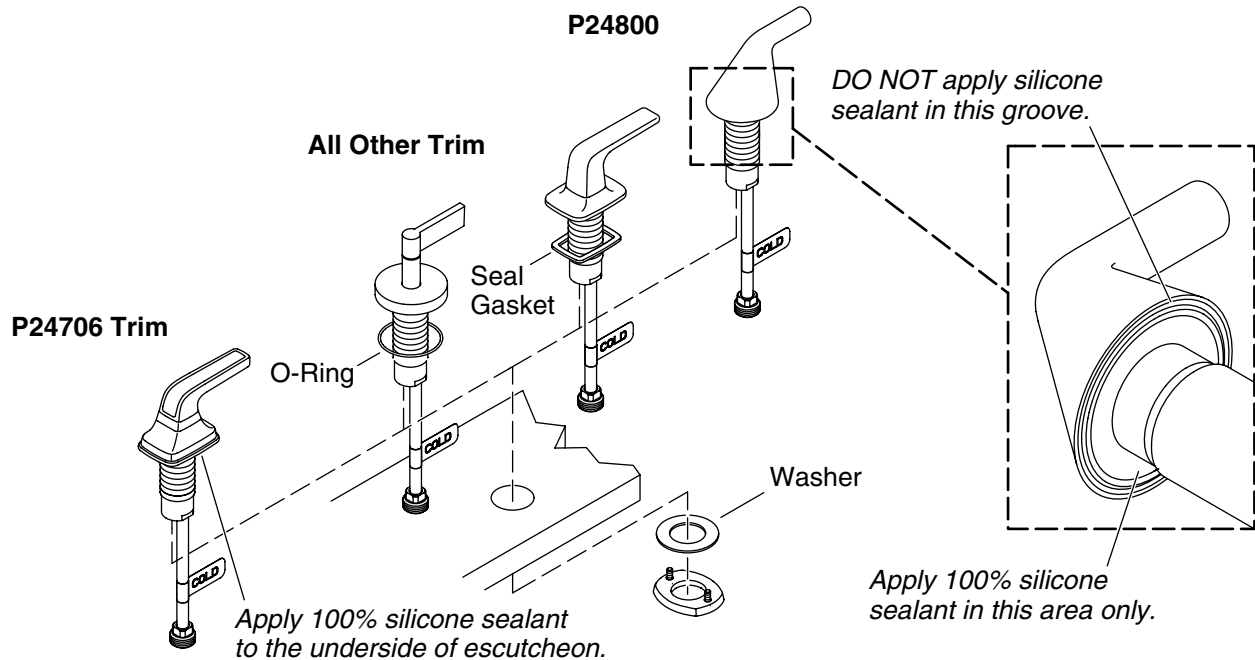


Install the Spout

- Remove the tee assembly, nut, and washer from the spout shank.
- Ensure that the seal gasket or O-ring is installed to the underside of the spout.
- Fit the spout shank through the top of the lavatory.
- Install the washer and nut onto the spout shank. Tighten the nut with a wrench to secure.
- With the screen cone facing downward, insert the rubber screen gasket and nylon washer into the tee. Thread the tee onto the spout shank.
- Hold the spout in position and tighten the tee securely. **Do not overtighten!**
- If desired, apply a bead of 100% silicone sealant or caulk around the base of the spout.

INSTALLATION INSTRUCTIONS

2. INSTALL THE HANDLES

**Install the Handle Assemblies**

- Ensure that the seal gasket or O-ring is installed to the underside of each of the handle assemblies.

For P24706: Apply a bead of 100% silicone sealant to the underside of the escutcheon.

For P24800: Apply a bead of 100% silicone sealant around the base of the handle assembly.

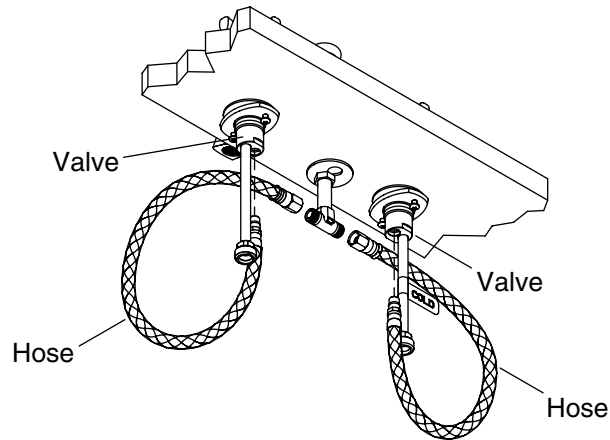
- Fit the valve assemblies through the top of the lavatory.
- Partially thread the screws into the rings.
- Install the washers and rings onto the valve assemblies. Thread the rings up the valve assemblies.
- Align the handles.

Optional for P24705: When installing Saint-Louis handles, align so the logo faces away from the spout when in the OFF position.

- Tighten the screws. **Do not overtighten!**

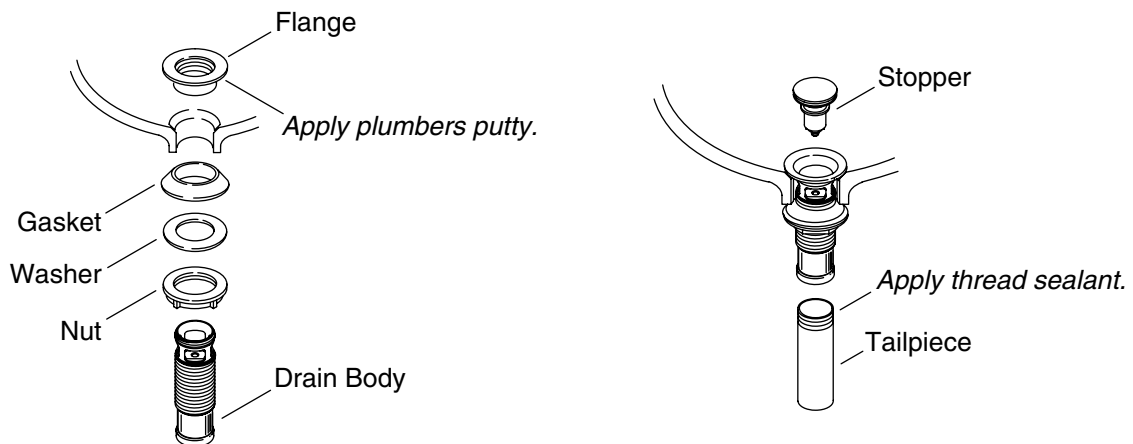
INSTALLATION INSTRUCTIONS

3. CONNECT THE HOSES



- Thread the male ends of the hoses into the valves. **Do not overtighten!**
- Thread the female ends of the hoses onto the tee.

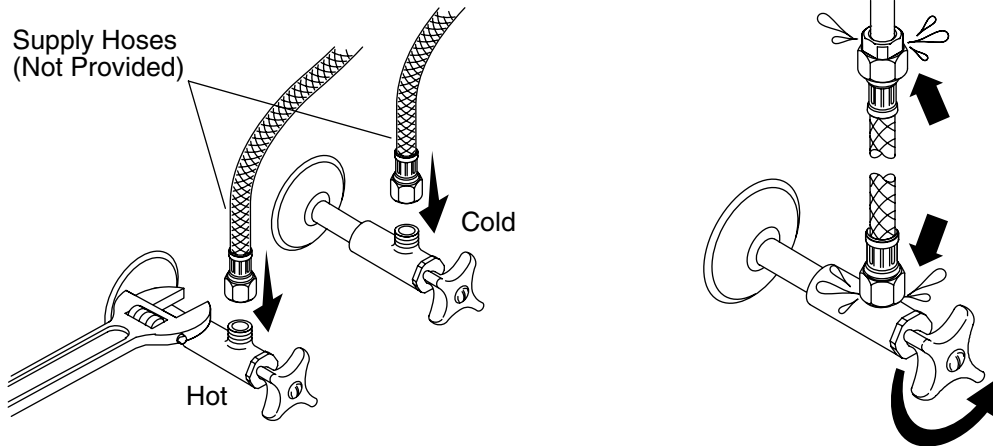
4. INSTALL THE DRAIN



- Disassemble the stopper and flange from the drain body.
- Apply a small bead of putty or sealant to the bottom of the flange. Insert the flange into the drain opening.
- Assemble the nut, flat washer, and tapered gasket (tapered side up) fully onto the drain body.
- From the underside of the lavatory, insert the drain body up into the drain hole.
- From the top of the lavatory, handtighten the flange onto the drain body until secure.
- Install the stopper and tighten firmly.
- Turn the drain body so the word KALLISTA on the stopper is straight.
- Tighten the drain body nut firmly while holding the drain body to maintain the stopper position.
- Using a damp cloth, remove any excess putty or sealant.
- Apply thread sealant tape to the tailpiece threads and thread the tailpiece onto the drain body.

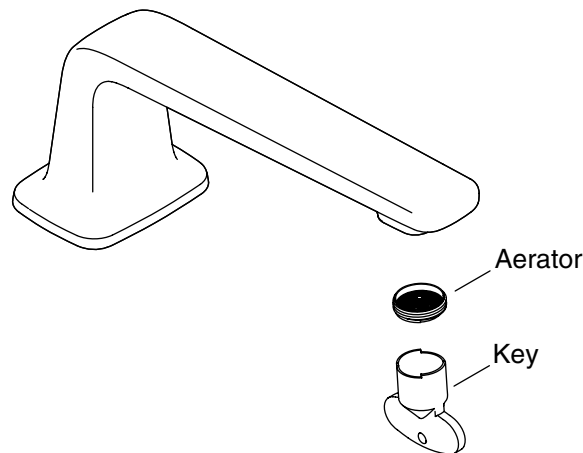
INSTALLATION INSTRUCTIONS

5. COMPLETE THE CONNECTIONS



- Install the lavatory according to the lavatory manufacturer's instructions.
- Connect the supply hoses (not provided) to the supply stops (left is hot; right is cold).
- Tighten all connections with an adjustable wrench.

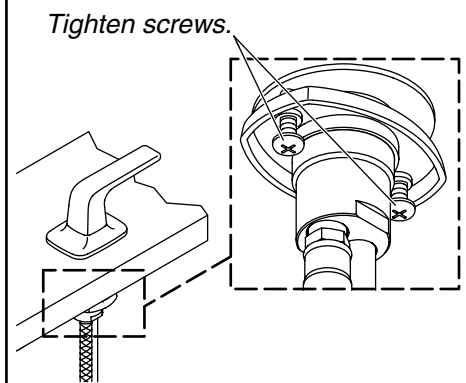
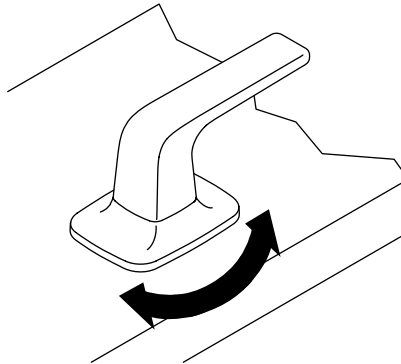
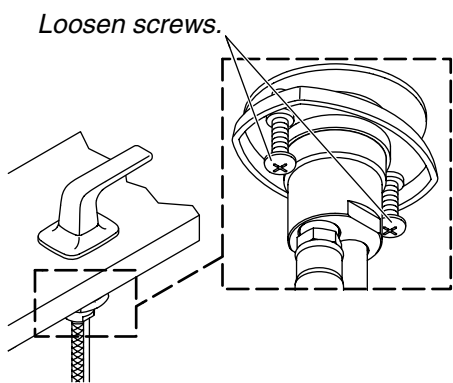
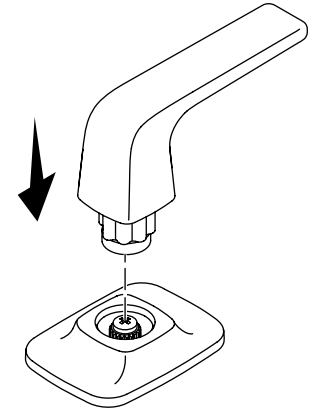
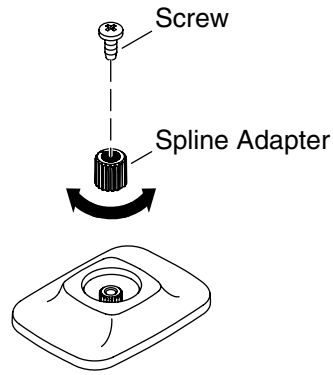
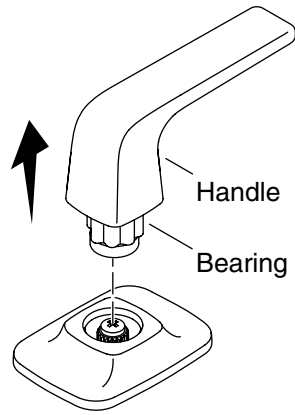
6. COMPLETE THE INSTALLATION



- Connect the P-trap (not supplied) to the tailpiece.
- Ensure that all connections are watertight.
- Remove the aerator by turning it counterclockwise. If needed, use the supplied key to remove the aerator.
- Open the drain. Turn on the water supply and check all connections for leaks. Repair as needed.
- Open both the hot and cold valves.
- Run water through the spout for 1 minute to remove any debris.
- Turn off the valves.
- Reinstall the aerator. Retain the key for future use.

INSTALLATION INSTRUCTIONS

7. ADJUST THE HANDLE AND ESCUTCHEON ALIGNMENT



- Pull up to remove the handle and bearing from the escutcheon.

NOTE: Use a pick or a similar tool to help remove the spline adapter.

- To adjust the handle, remove the screw and reposition the spline adapter.
- Reinstall the screw. Ensure that the valve is fully turned to the OFF position.

NOTE: To test the handle alignment, the handle does not need to be fully installed.

- Insert the handle until it engages with the spline adapter to verify alignment.
- Repeat this procedure until the desired handle alignment is obtained then push the handle down until it snaps firmly in place against the escutcheon.
- To adjust the escutcheon, loosen the screws in the ring to allow for escutcheon adjustment.
- Tighten the screws when desired escutcheon alignment is obtained.