

# SYMMONS® Laundry-Mate™

## Automatic Washing Machine Valve W-400, W-500-B

### Installation Instructions



Model W-500-B

#### Model Numbers

- W-400 Valve assembly



- W-500-B Valve assembly with enclosure



#### Need Help?

Contact Symmons customer service at  
(800) 796-6667, (781) 848-2250  
Email: [customerservice@symmons.com](mailto:customerservice@symmons.com)  
Monday - Friday 7:30 am - 7:00 pm EST

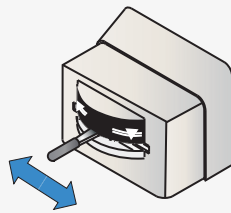
Please check Symmons website for technical help,  
the latest product information and warranty policy at  
[www.symmons.com/service](http://www.symmons.com/service)

- Step 1 Sweat union ells to 1/2 inch copper tubing
- Step 2 Screw union ells to wall
- Step 3 Mount valve to wall
- Step 4 Attach handle lever to valve

- Step 5 Attach water supply hoses from washing machine to valve
- Step 6 Snap enclosure onto valve  
*(model W-500-B only)*
- Step 7 Slide handle sleeve over end of lever

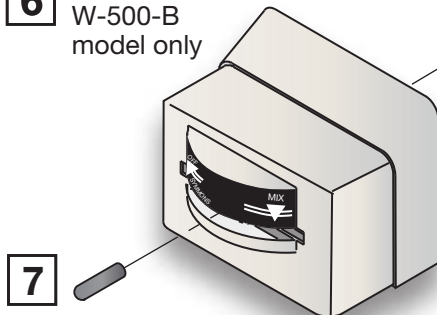
#### Operation

Single lever handle to manually control both hot and cold water supply to machine.

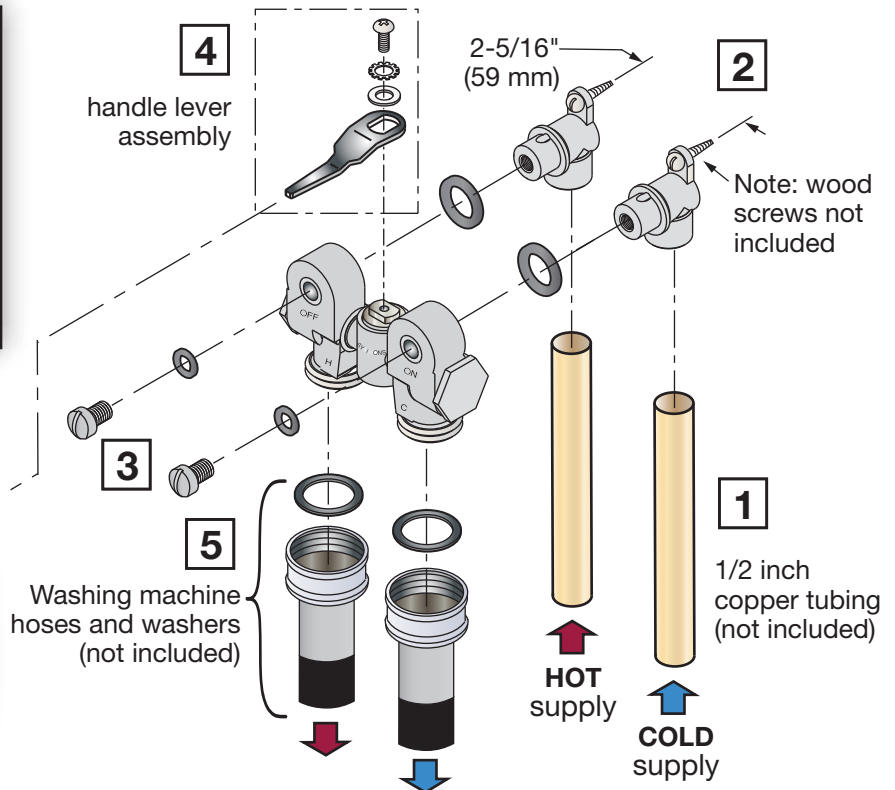


Switch water supply off after use to prevent bursting supply hoses and protect machine solenoid valves.

- 6** Enclosure, W-500-B model only



- 7**



**Dimensions** Laundry-Mate Automatic Washing Machine Valve, W-500-B

