

INSTALLATION INSTRUCTIONS FOR ACT-O-MATIC INSTITUTIONAL AC-450 AND AC-460 SHOWER HEADS



AC-450

Self-Cleaning, Wall Mounted, Shower Head with Adjustable Spray Direction and Integral Flow Control.
2.5 gpm (9.4 Lpm)
2.0 gpm (7.5 Lpm)



AC-460

Self-Cleaning, Wall Mounted, Institutional Security Style Shower Head with Adjustable Spray Direction and Integral Flow Control.
2.5 gpm (9.4 Lpm)
2.0 gpm (7.5 Lpm)

LIMITED WARRANTY

Unless otherwise noted, Sloan Valve Company warrants its products, manufactured and sold for commercial or industrial uses, to be free from defects of material and workmanship for a period of three (3) years (one year for SF faucets, special finish and PWT electronics and 30 days on PWT software) from the date of first purchase. During this period, Sloan Valve Company will, at its option, repair, replace, or refund the purchase price of any produce which fails to conform with this warranty under normal use and service. This shall be the sole and exclusive remedy under this warranty. Products must be returned to Sloan Valve Company, at customer's cost. No claims will be allowed for labor, transportation or other costs. This warranty extends only to persons or organizations that purchase Sloan Valve Company's products directly from Sloan Valve Company for purpose of resale.

THERE ARE NO WARRANTIES WHICH EXTEND BEYOND THE DESCRIPTION ON THE FACE HEREOF. IN NO EVENT IS SLOAN VALVE COMPANY RESPONSIBLE FOR ANY CONSEQUENTIAL DAMAGES OF ANY MEASURE WHATSOEVER.

PRIOR TO INSTALLATION

The following instructions will serve as a guide when installing the Sloan Act-O-Matic Shower Head. As always, good safety practices and care are recommended when installing your new Sloan Act-O-Matic Shower Head. If further assistance is required, contact your nearest Sloan Representative office or contact Sloan Technical Support.

Prior to installing the Sloan Act-O-Matic Shower Head, install the items listed:

- Shower enclosure
- Drain line
- Water supply line 1/2" I.P.S. (13 mm DN) male thread required for connection to shower head)

IMPORTANT:

- All Plumbing is to be installed in accordance with all applicable codes and regulations.
- Flush all water lines until water is clear before installing shower head.
- Water supply lines must be sized to provide an adequate flow of water for each shower head. Minimum water pressure of 15 PSI (103 KPA) required.

TOOLS REQUIRED FOR INSTALLATION

- 1-3/8" wrench • Slotted screwdriver for adjusting direction of stream, if required • 5/16" drill • Hammer • Phillips head screwdriver, #3 • 5/32" hex wrench

INSTALLATION

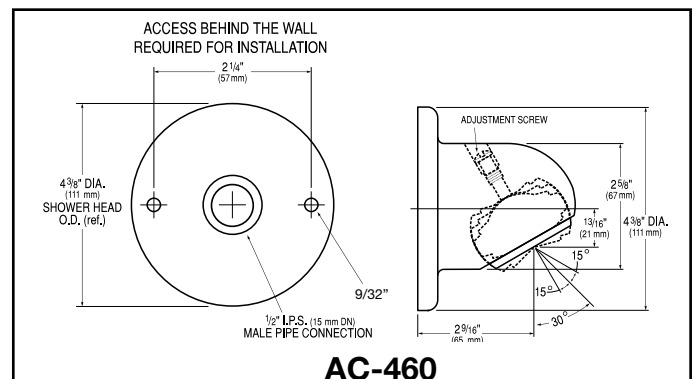
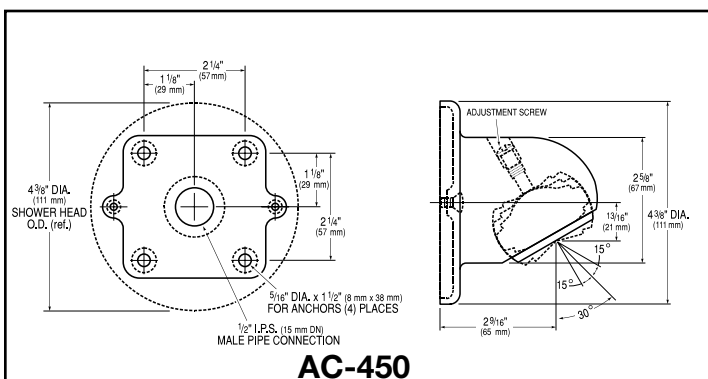
Step 1 — Drill Mounting Holes

For AC-450, locate shower head mounting holes. Drill four (4) mounting holes 5/16" x 1-1/2" (8 mm x 38 mm). Drive anchors flush with wall surface.

For AC-460, behind the wall access is required.

Step 2 — Install Mounting Plate

Secure mounting plate with wings horizontal to wall using four (4) Phillips head screws provided.



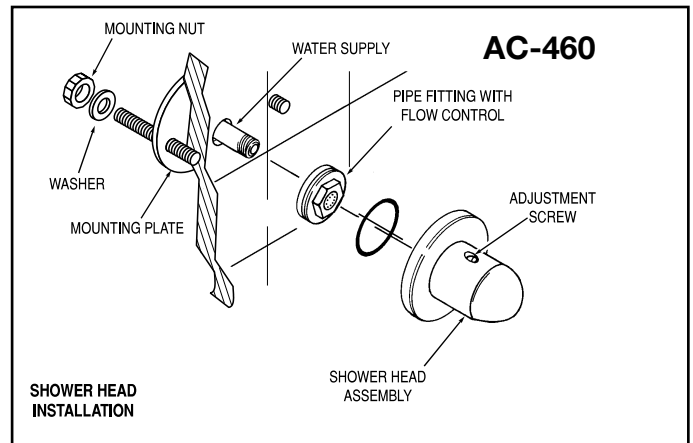
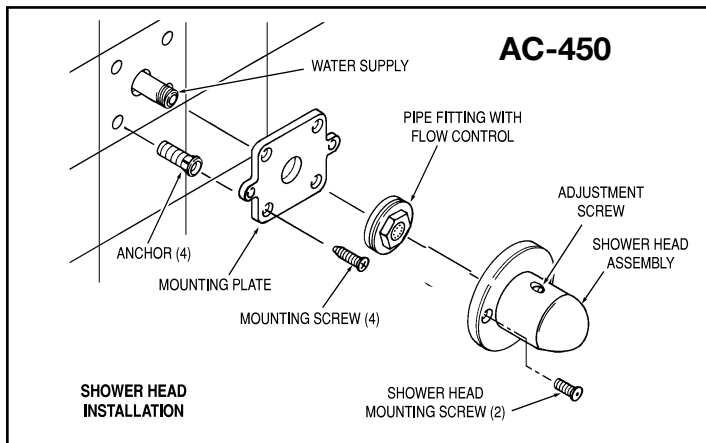
INSTALLATION (CONT.)

Step 3 — Install Pipe Fitting (Figure 2)

Coat threaded end of water supply line with pipe dope or wrap with sealing tape. Thread pipe fitting onto water supply line using a 1-3/8" wrench.

Step 4 — Mount Shower Head Assembly

Wet pipe fitting "O" Ring with water to lubricate and carefully slide shower head assembly over pipe fitting. Be careful not to damage pipe fitting "O" Ring. Secure shower head assembly to mounting plate using two (2) Tamper-Proof, shower head assembly screws provided.



Step 5 — Adjust Direction of Stream

To change direction of stream from the preset 30 degree angle, loosen adjustment screw located at top of shower head, move ball to the desired position and secure adjustment screw.



CARE AND CLEANING

DO NOT use abrasive or chemical cleaners to clean shower head as they may dull the luster and attack the chrome or special decorative finishes. Use **ONLY** soap and water, then wipe dry with clean cloth or towel. While cleaning the bathroom tile, the shower head should be protected from any splattering of cleaner. Acids and cleaning fluids will discolor or remove chrome plating.

PARTS LIST

Item No.	Part No.	Description
1.	AC-450	Shower Head Assembly
2.†	SH-511	Pipe Fitting
3A.†	SH-1010-A	Flow Control, 2.5 gpm (9.4 Lpm)
3B.†	SH-1020-A	Flow Control, 2.0 gpm (7.5 Lpm)
4.†	SH-512	"O" Ring
5.	SH-514	Shower Head Mounting Screw (2)
6.	—	Mounting Plate
7.	K-57	Anchor (4)
8.	SH-37	Mounting Screw (4)

† Items 2, 3A and 4 are supplied assembled.

Item No.	Part No.	Description
1.	AC-460	Shower Head Assembly
2.†	SH-511	Pipe Fitting
3A.†	SH-1010-A	Flow Control, 2.5 gpm (9.4 Lpm)
3B.	SH-313-A	Flow Control 2.0 gpm (7.5 Lpm)
4.†	SH-512	"O" Ring
5.	—	Mounting Plate
6.	—	Stud (1/4"-28) (2)
7.	—	LockWasher (2)
8.	—	Hex Nut (2)

† Items 2, 3A and 4 are supplied assembled.

!!! IMPORTANT !!!

Protect the chrome or special finish of ACT-O-Matic® Showerheads — **DO NOT USE** toothed tools to install or service these valves.

If you have questions about how to install your Sloan Showerhead, consult your local Sloan Representative or call Sloan Installation Engineering Department at:
1-888-SLOAN-14 (1-888-756-2614)
OR 1-847-233-2016

SLOAN • 10500 SEYMOUR AVENUE • FRANKLIN PARK, IL 60131

Phone: 1-800-982-5839 or 1-888-756-2614 • Fax: 1-800-447-8329 or 1-847-671-4380 • www.sloanvalve.com