

# SPECIFICATIONS

## MODELS:

Q651A Subbase—provides manual HEAT-OFF-COOL, AUTO-OFF-ON, or HEAT-OFF-FAN switching for T4051A and T6051A thermostats.

Q651B Subbase—provides manual AUTO-OFF-FAN switching for T4051A and T6051A thermostats.

Q651C Subbase—provides manual AUTO-OFF or HEAT-OFF switching for T4051A and T6052B thermostats.

**DIMENSIONS (inches):** 5-13/16 high; 3-3/16 wide, and 1 1/16 deep.

**MOUNTING:** Mounts horizontally or vertically on standard outlet box.

## ELECTRICAL RATINGS:

Voltage and Frequency—120 or 240V ac, 60 Hz.

Contact Ratings (amps)—

	120V AC	240V AC
Full Load	16	8
Locked Rotor	96	48

Pilot Duty Rating—125 VA.

### CAUTION

The Q651 Subbase cannot be used with the T6052A 2-stage thermostat.

# INSTALLATION

### CAUTION

1. Installer must be a trained, experienced serviceman.
2. Disconnect power supply before connecting wiring.
3. Always conduct a thorough checkout when installation is complete.

## LOCATION AND MOUNTING

Locate the subbase about 5 feet above the floor on an inside wall where it will be affected only by the average temperature of the room. Also refer to instructions packed with the thermostat.

1. Mount a 2 x 4 inch outlet box at the location selected.
2. Run conduit between the outlet box, power source, and the unit being controlled. Leave about six inches of wire in the box for connections. (Refer to WIRING section for number of wires required.)

3. Attach the jumpers supplied with the subbase to the appropriate subbase terminals (refer to wiring diagrams, Figs. 2-9).

4. Connect field wires to the subbase terminals.

5. Put thermostat mounting plate on guide pins of the subbase. Attach both mounting plate and subbase to the outlet box, using screws in top and bottom. Leave top screw loose, level subbase and mounting plate, and tighten screw.

6. Select appropriate system decal and apply to front of subbase in location provided, aligning top edge of decal with groove in front of subbase.

7. Attach jumpers from subbase to the thermostat terminals and wire power supply to thermostat "common" terminal.

8. Hook thermostat on tabs on top of subbase and slide down. Insert cover screw at bottom of base, but do not tighten.

9. Place cover on thermostat and use set point knob to tighten screw at bottom of case.

(continued on page 3)

# ORDERING INFORMATION

WHEN ORDERING REFER TO THE TRADELINE CATALOG OR PRICE SHEETS FOR COMPLETE ORDERING SPECIFICATION NUMBER, OR . . .

SPECIFY—

1. MODEL NUMBER

ORDER FROM—

1. YOUR USUAL SOURCE, OR
2. HONEYWELL

1885 DOUGLAS DRIVE NORTH  
MINNEAPOLIS, MINNESOTA 55422  
(IN CANADA—HONEYWELL CONTROLS LIMITED  
740 ELLESMERE ROAD  
SCARBOROUGH, ONTARIO)  
INTERNATIONAL SALES AND SERVICE OFFICES  
IN ALL PRINCIPAL CITIES OF THE WORLD.

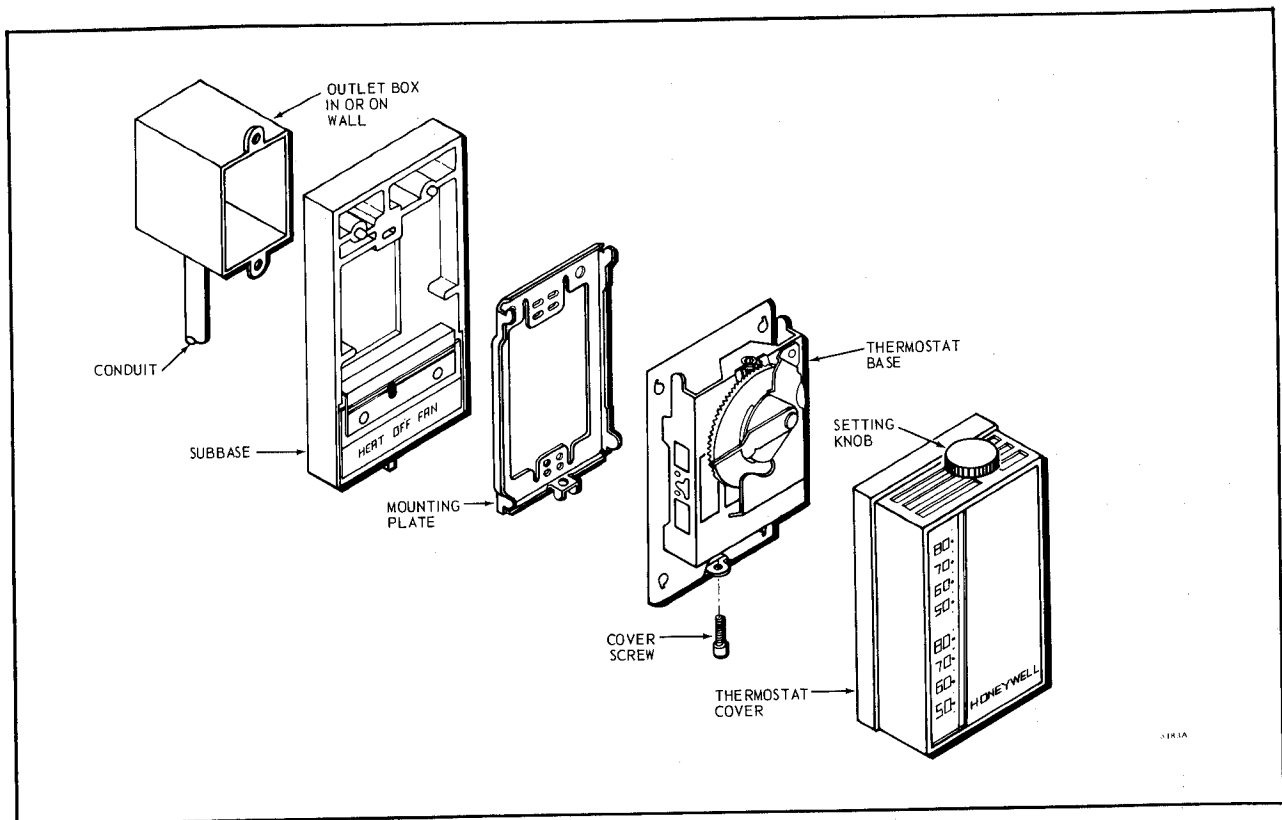


FIG. 1—MOUNTING SUBBASE, MOUNTING PLATE, AND THERMOSTAT TO OUTLET BOX.

## WIRING

**CAUTION**

1. Disconnect power supply before making wiring connections to prevent electrical shock and equipment damage.
2. The Q651 Subbase cannot be used with the T6052A 2-stage thermostat.

All wiring must comply with applicable codes and ordinances. Figs. 2-9 show typical wiring hookups using the Q651 Subbases. Also refer to information furnished by the system equipment manufacturer.

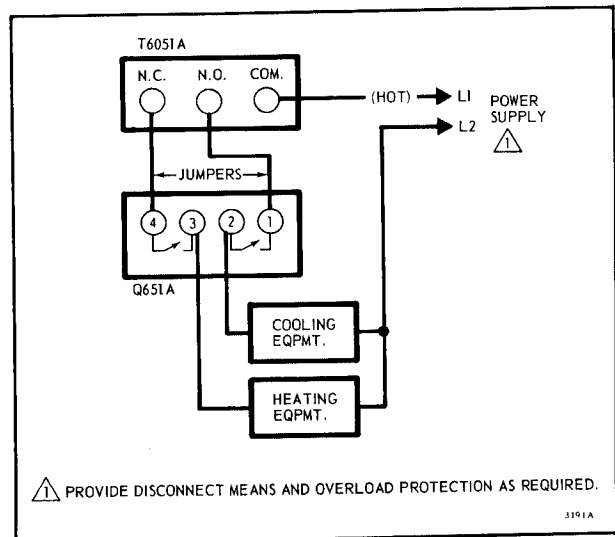


FIG. 2—TYPICAL HOOKUP OF Q651A WITH T6051A TO PROVIDE HEAT-OFF-COOL SWITCHING.

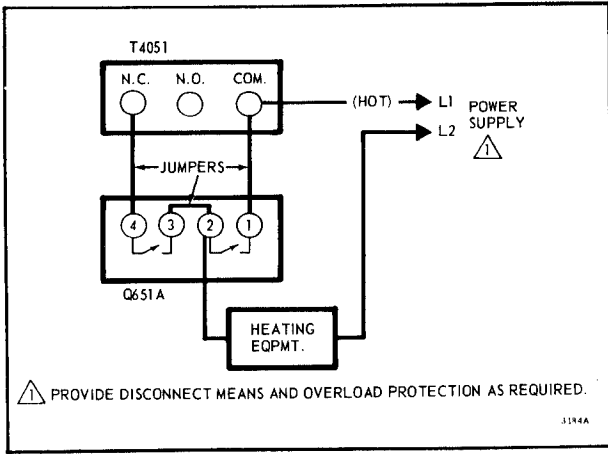


FIG. 3—TYPICAL HOOKUP OF Q651A WITH T4051A TO PROVIDE AUTO-OFF-ON SWITCHING.

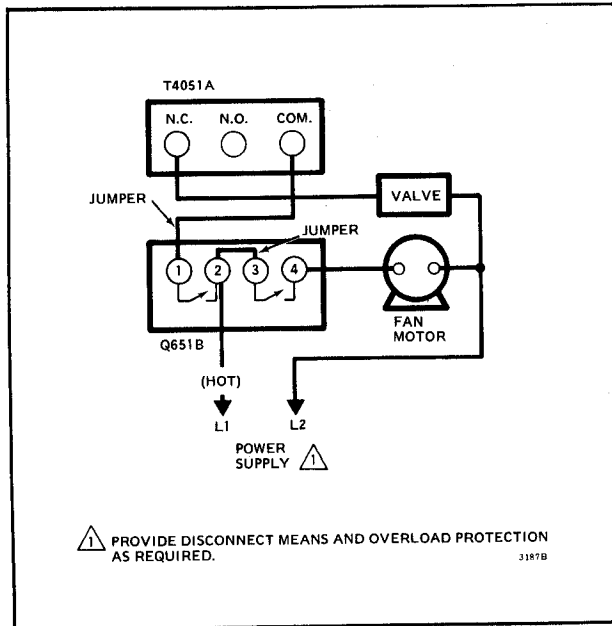


FIG. 6—TYPICAL HOOKUP OF Q651B WITH T4051A TO PROVIDE AUTO-OFF-FAN SWITCHING. FAN OPERATES CONTINUOUSLY IN AUTO AND FAN POSITIONS.

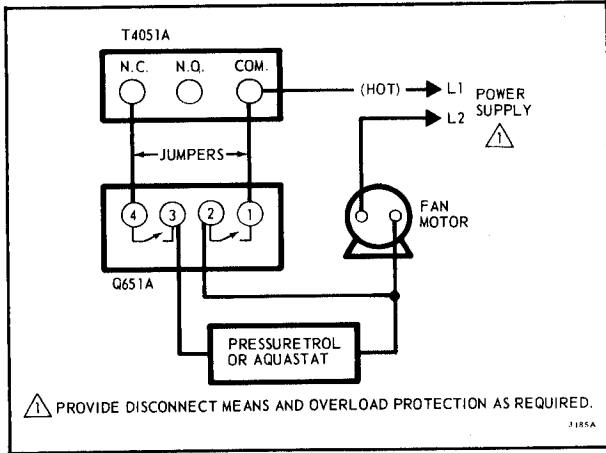


FIG. 4—TYPICAL HOOKUP OF Q651A WITH T4051A TO PROVIDE HEAT-OFF-FAN SWITCHING.

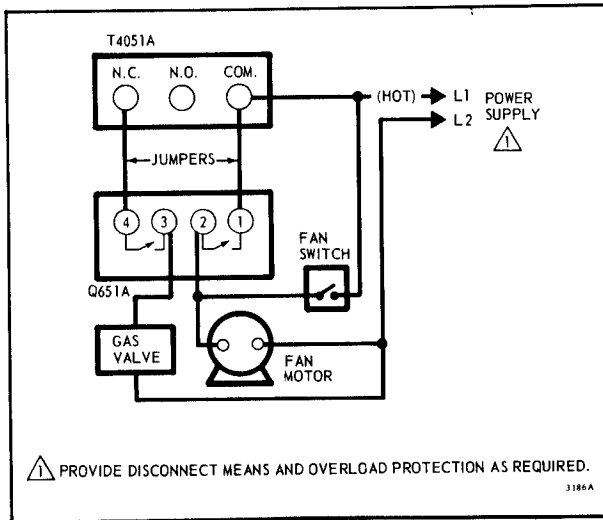


FIG. 5—TYPICAL HOOKUP OF Q651A WITH T4051A TO PROVIDE HEAT-OFF-FAN SWITCHING. FAN MAY ALSO BE OPERATED BY EXTERNAL FAN SWITCH.

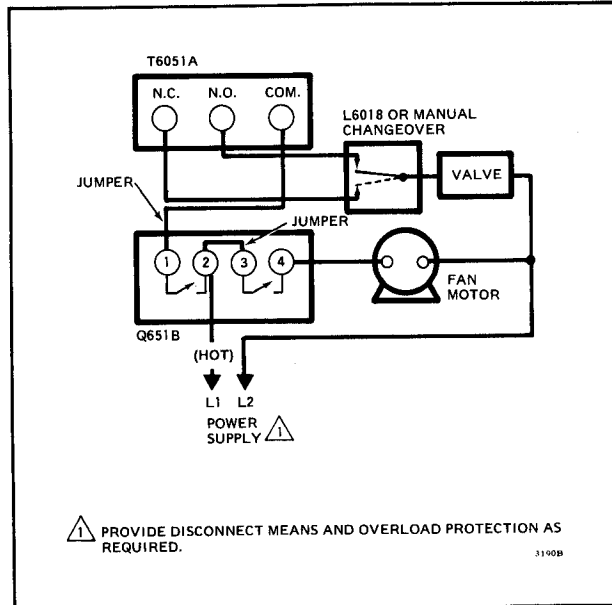


FIG. 7—TYPICAL HOOKUP OF Q651B WITH T6051A TO PROVIDE AUTO-OFF-FAN SWITCHING. SYSTEM CHANGEOVER IS PROVIDED MANUALLY OR BY ADDING L6018 TO THE CIRCUIT. FAN OPERATES CONTINUOUSLY IN AUTO AND FAN POSITIONS.

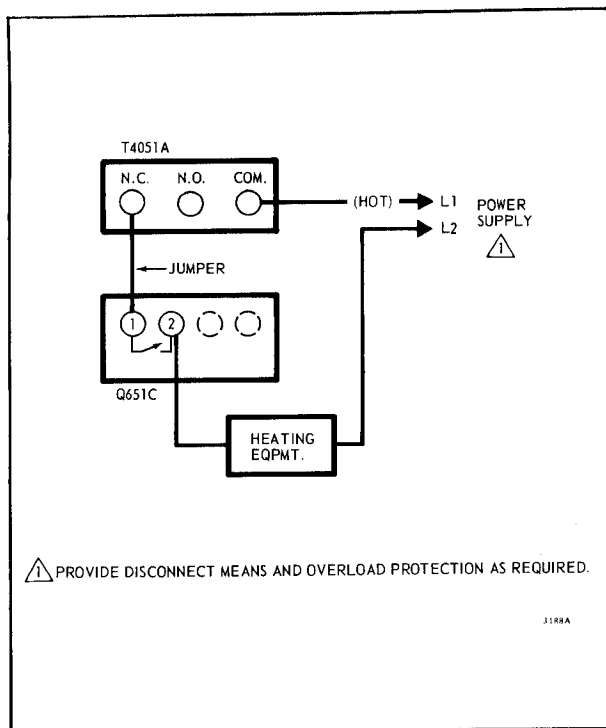


FIG. 8—TYPICAL HOOKUP OF Q651C AND T4051A TO PROVIDE HEAT-OFF SWITCHING.

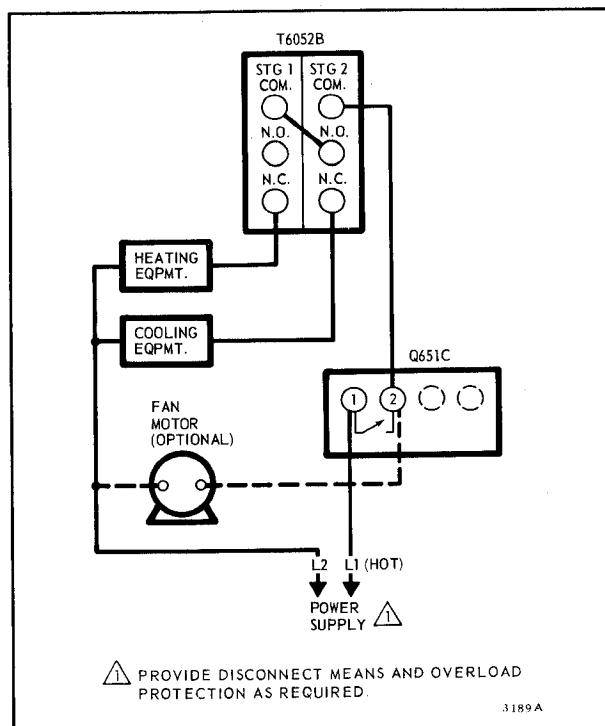


FIG. 9—TYPICAL HOOKUP OF Q651C WITH T6052B TO PROVIDE AUTO-OFF SWITCHING.

## OPERATION AND CHECKOUT

After mounting and wiring have been completed, operate the system from each subbase switch position for at least one complete cycle to be certain system is operating properly. Refer to instructions furnished with the thermostat when checking its operation.

Subbase switching positions control system operation as follows (also refer to Figs. 2-9):

**HEAT**—heating equipment cycles from thermostat, cooling equipment is off.

**OFF**—entire system is off.

**COOL**—cooling equipment cycles from thermostat, heating equipment is off.

**AUTO**—Fan operates continuously; heating and/or cooling equipment cycle from thermostat.

**ON**—heating equipment operates continuously.

**FAN**—fan operates continuously; heating equipment is off.

Subbase switching positions control switch action as shown below. (Switch positions are shown in the columns.)

	SWITCH POSITIONS			CONTACT POSITIONS	
				1-2	3-4
Q651A	Heat	Auto	Heat	Open	Closed
	Off	Off	Off	Open	Open
	Cool	On	Fan	Closed	Open
Q651B	Auto	—	—	Closed	Closed
	Off	—	—	Open	Open
	Fan	—	—	Open	Closed
Q651C	Heat	Auto	—	Closed	—
	Off	Off	—	Open	—