



# SYMMONS® Allura™

## Lavatory Faucet SLC-4712-1.5

### Installation and Service Instructions



#### Model Numbers

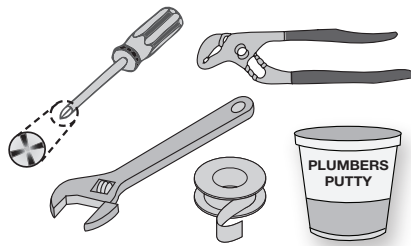
SLC-4712-1.5 (LN-01302)  
Lavatory faucet with pop-up drain

#### Alternate Finish Code

*append to part numbers when applicable*

- STN Satin Nickel
- Chrome (standard)

#### Tools & Materials



#### ☎ Need Help?

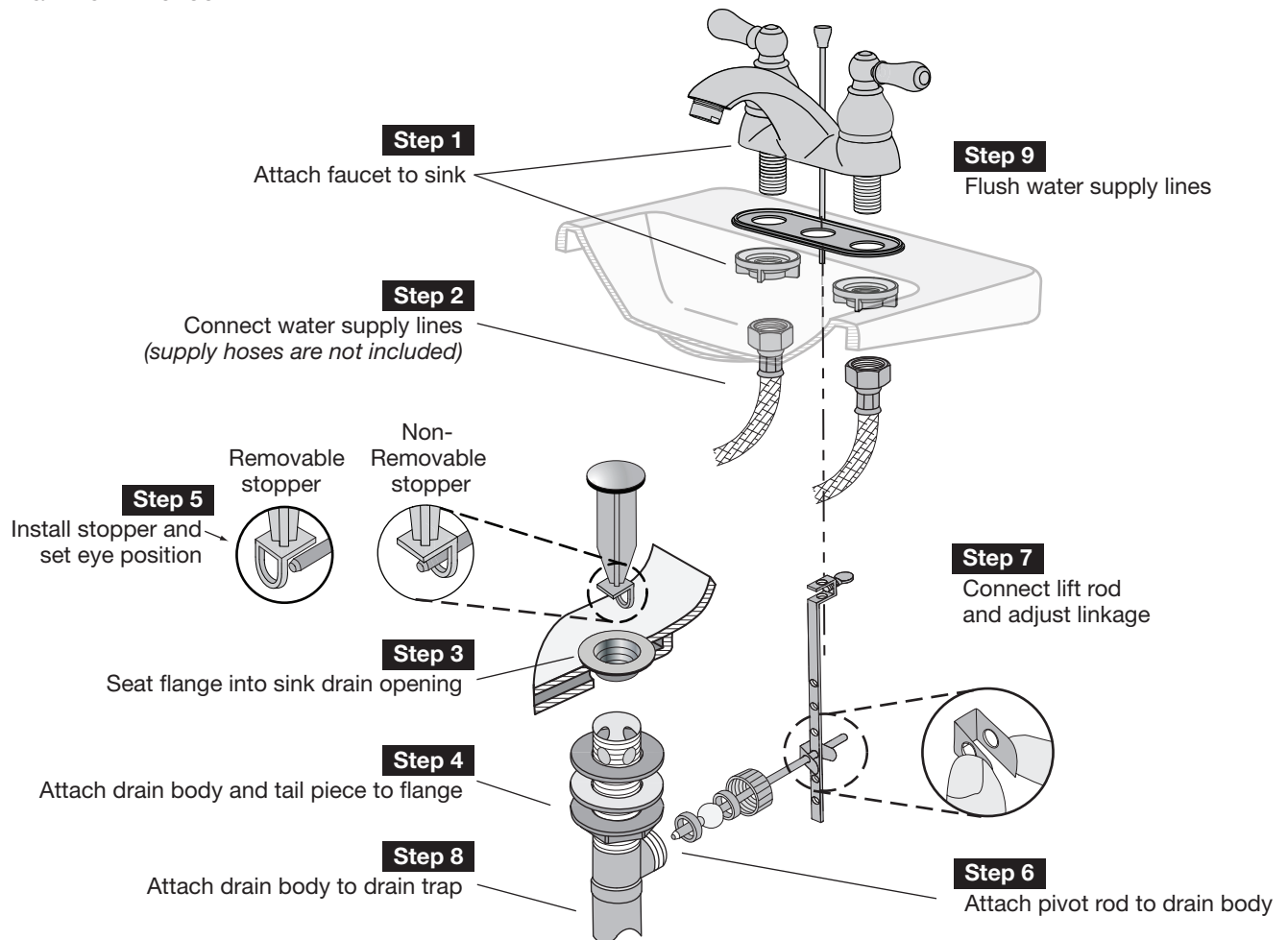
Symmons customer service:  
(800) 796-6667, (781) 848-2250  
customerservice@symmons.com  
Mon - Fri 8:00 am - 7:30 pm EST

🌐 [www.symmons.com/service](http://www.symmons.com/service)

- Technical help
- Product information
- Warranty policy.

### Visual Install Guide Allura Lavatory Faucet, SLC-4712-1.5

Part No. LN-01302



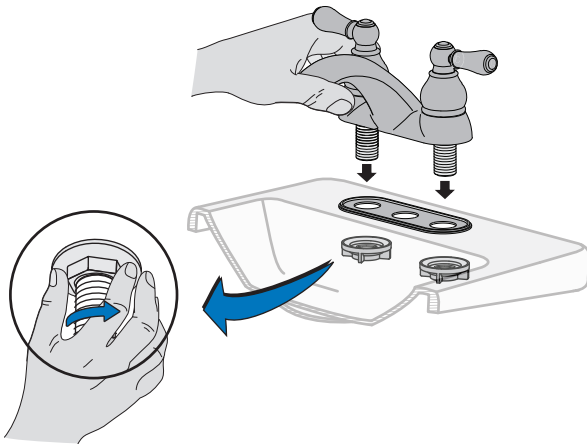
For California Residents

**WARNING:** This product contains chemicals known to the State of California to cause cancer, birth defects, or other reproductive harm.

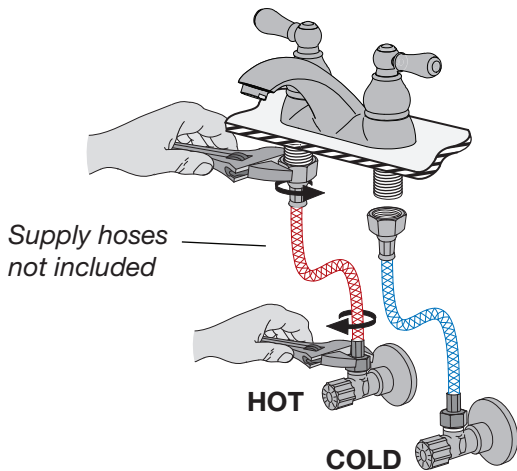
# Installation Instructions

**Caution:** If replacing an older faucet ensure water supply is turned OFF before removing. Then turn faucet control valves ON to relieve water pressure.

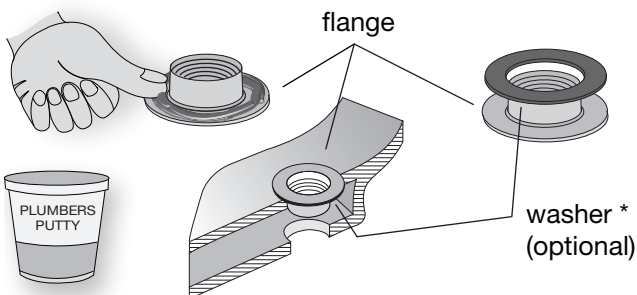
## Step 1 Attach faucet to sink



## Step 2 Connect water supply lines



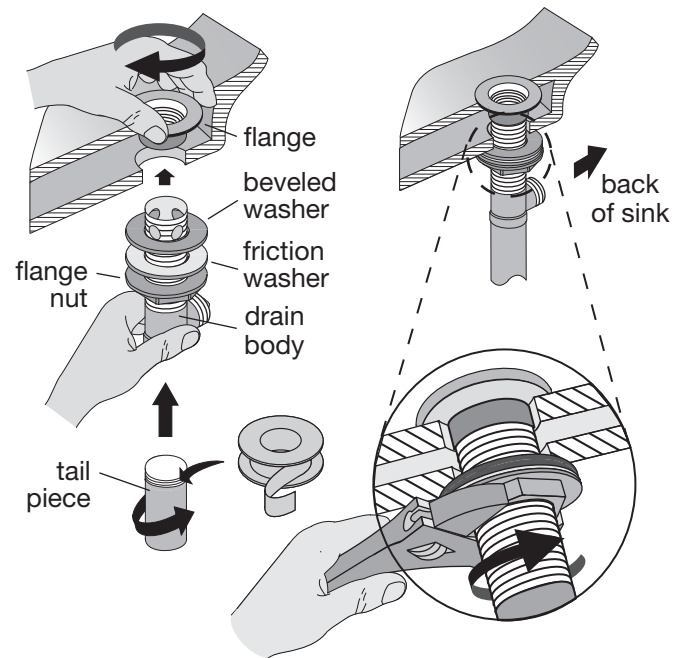
## Step 3 Seat flange into sink drain opening



\* use included washer only for when plumbers putty is not available

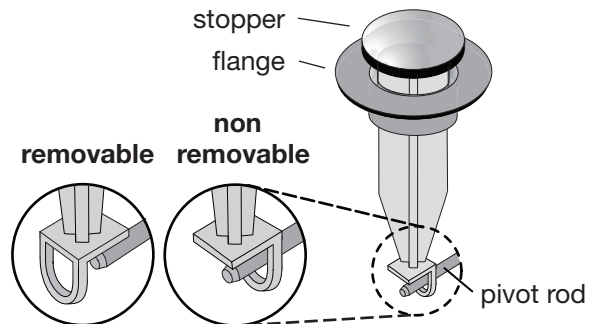
\* Note: Washer included with faucet should only be used when plumbers putty is not available.

## Step 4 Attach drain body to flange

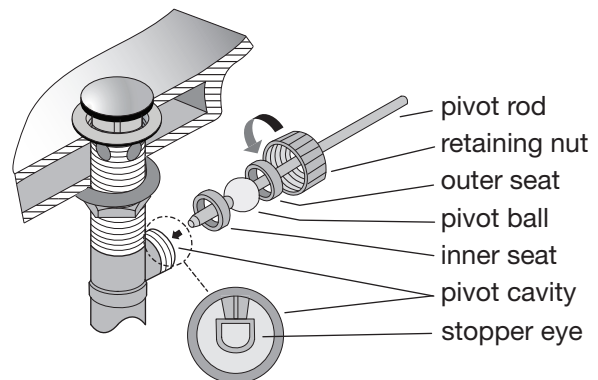


\* Note: Attach tail piece to drain body using teflon tape.

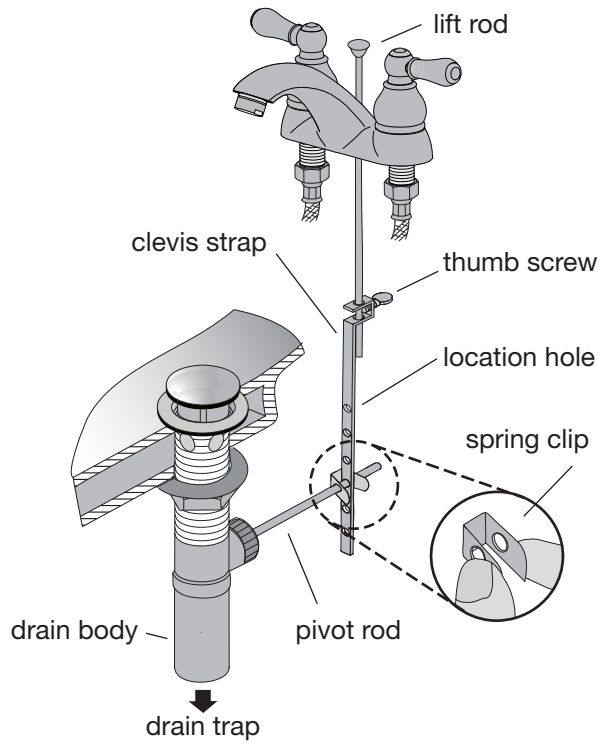
## Step 5 Install stopper and set eye position



## Step 6 Attach pivot rod to drain body

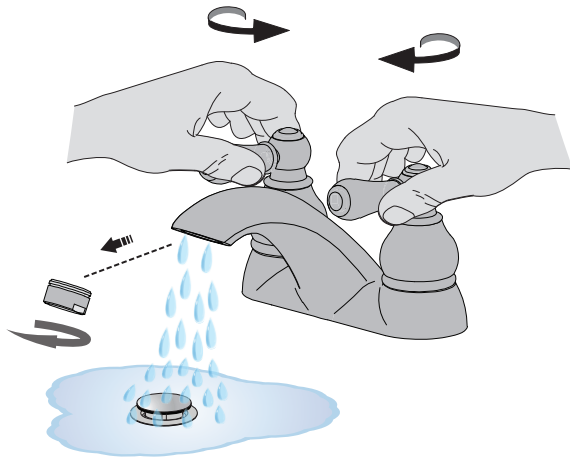


**Step 7 Connect lift rod and adjust linkage**



**Step 8 Attach drain body to drain trap**

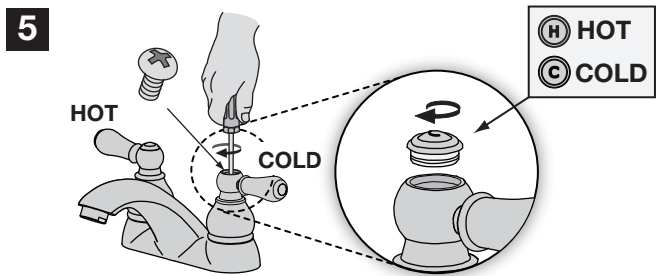
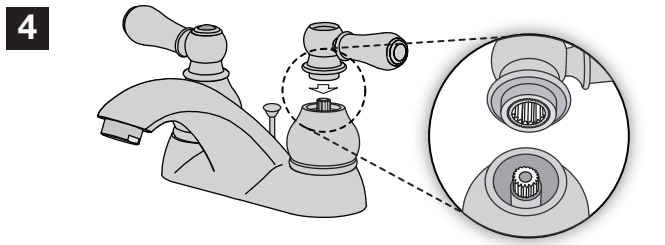
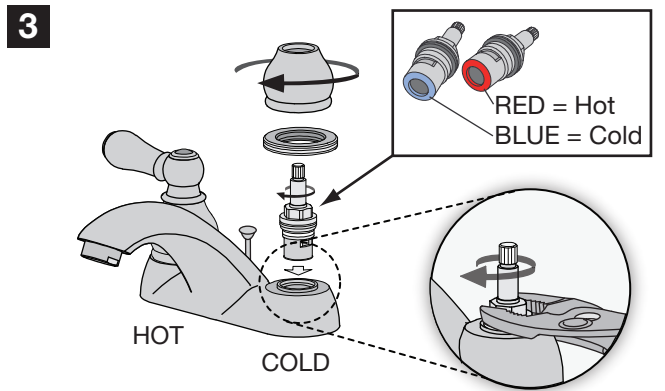
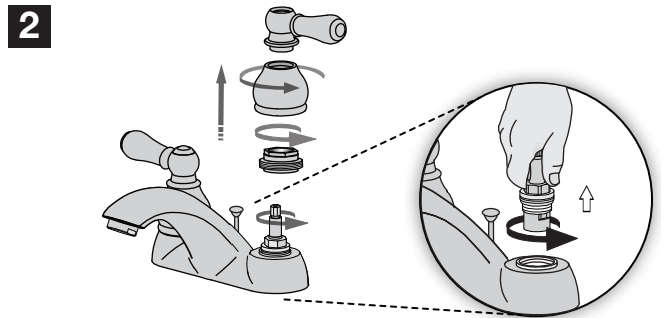
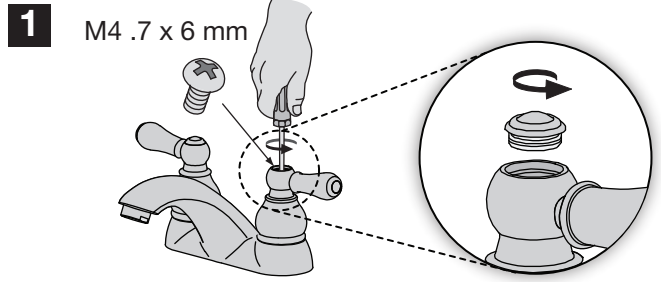
**Step 9 Flush water supply lines**



**Care of faucet finish**

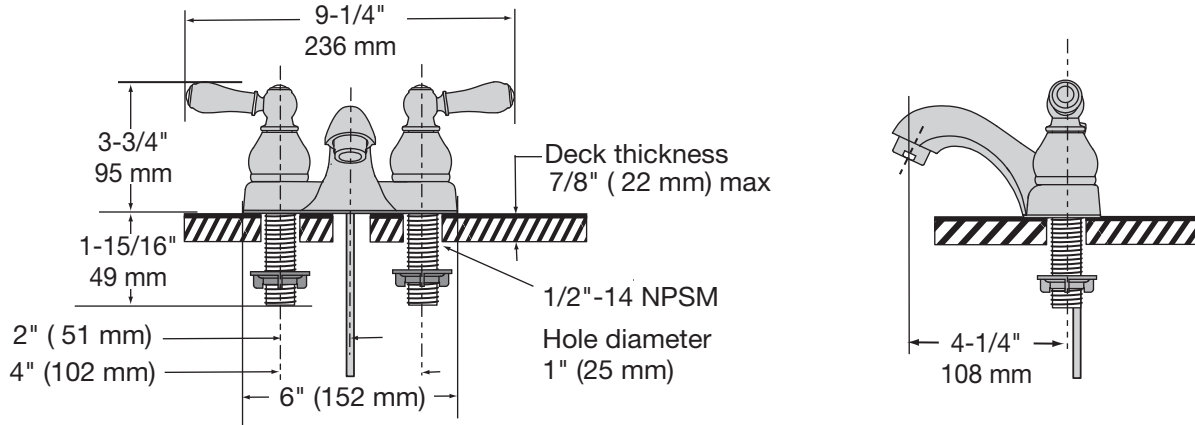
Clean finish area by using mild soap and water or non-abrasive cleaners and then rinse immediately. A non-abrasive wax may be used to preserve finish area.

**Valve cartridge replacement**



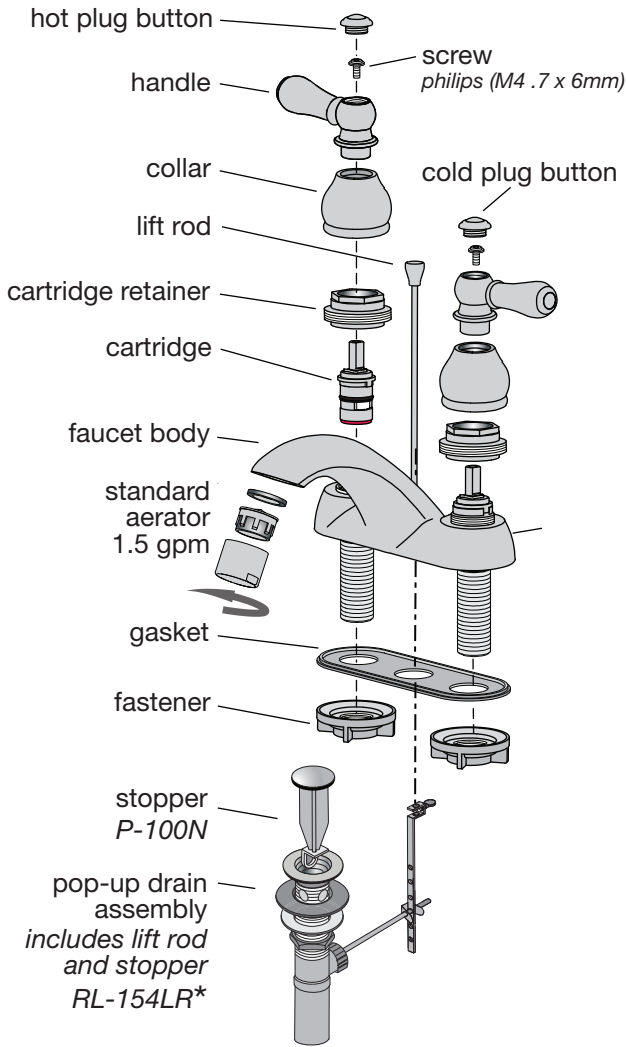
# Dimensions Allura Lavatory Faucet, SLC-4712-1.5

Part No. LN-01302

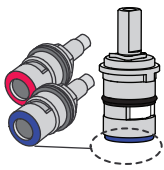
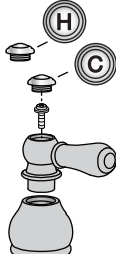

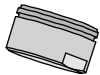


# Parts Assembly Allura Lavatory Faucet, SLC-4712-1.5

Part No. LN-01302



## Replacement Parts

Part Number	Item
LN-01452 (hot) OFF = CW LN-01453 (cold) OFF = CCW	Cartridge  Hot = RED Cold = BLUE 
LN-01454	Handle Kit hot & cold plug buttons (2) screw (1) handle (1) collar (1) 
RL-235	Lift Rod 
SWA-17FR FLR-111-1.5 FLR-111-1.0	Aerator assembly flow rates 2.2 gpm (8.3L/min) 1.5 gpm (5.7L/min) 1.0 gpm (3.8L/min) 

### Ordering replacement parts:

Call Symmons customer service at (800) 796-6667, (781) 848-2250 M-F 7:30 am - 7:00 pm EST or check our website at [www.symmons.com](http://www.symmons.com) for a list of Symmons distributors.