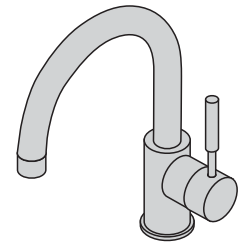



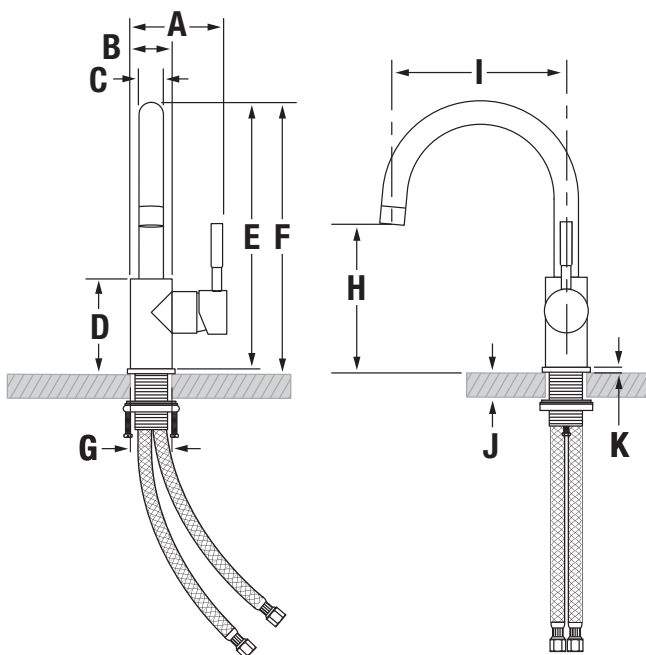


SPB-3510-1.5
Dia™ Single Lever Bar Sink Faucet
Operation & Maintenance Manual



<p>Model Number</p> <p><input type="checkbox"/> SPB-3510-1.5 <i>Dia Single Lever Bar Sink Faucet</i></p>	<p>Specifications</p> <p>Dia single lever bar sink faucet includes ceramic cartridge, braided hose connections, rigid/swivel spout and 1.5 gpm (5.7 L/min) flow restrictor.</p>
<p>Modifications</p> <p><input type="checkbox"/> -1.0  <i>1.0 gpm (3.8 L/min) flow restrictor outlet spray</i></p> <p><input type="checkbox"/> -1.5  <i>1.5 gpm (5.7 L/min) flow restrictor outlet spray</i></p> <p><input type="checkbox"/> Delete Suffix 1.5 <i>2.2 gpm (8.3 L/min) flow restrictor outlet spray</i></p> <p><input type="checkbox"/> -DP4 <i>4" deck plate for single hole mount faucets</i></p> <p><input type="checkbox"/> -STN <i>Satin nickel finish</i></p> <p>Note: Append appropriate -suffix to model number.</p>	<p>Compliance</p> <p>-CA 116875 (AB 1953)</p>  <p>Warranty</p> <p>Limited Lifetime - to the original end purchaser in consumer installations. 5 Years - for commercial installations.</p> <p>Refer to www.symmons.com/warranty for complete warranty information.</p>

Dimensions

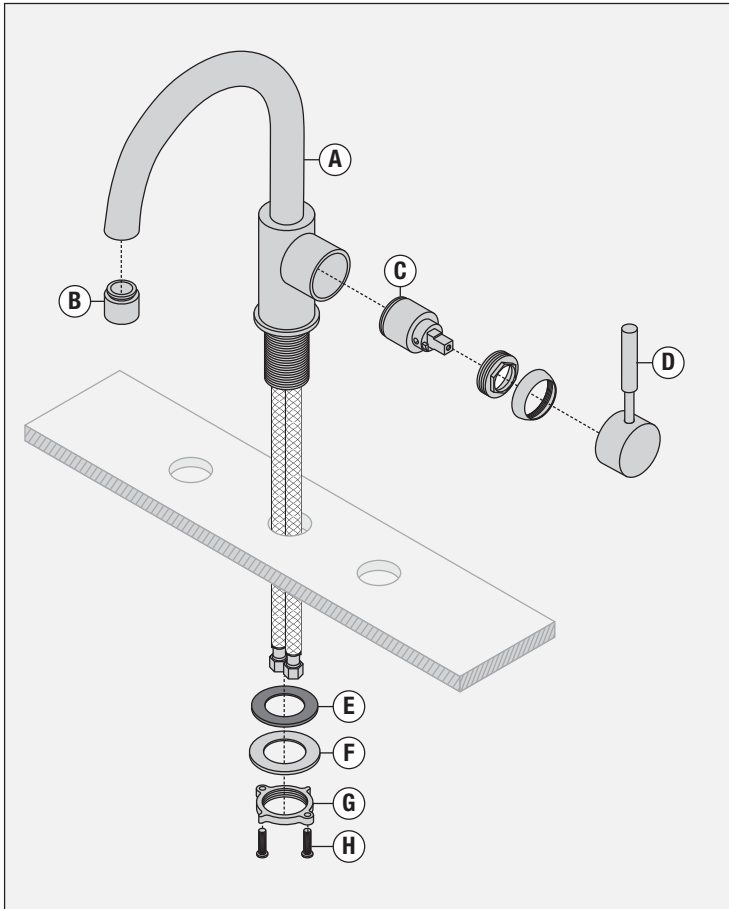


Measurements	
A	4", 102 mm
B	1 5/8", 41 mm
C	1", 25 mm
D	3 7/8", 98 mm
E	10 13/16", 275 mm
F	11", 279 mm
G (Hole Size)	Min. 1 1/4", 32 mm Max. 1 3/8", 35mm
H	6", 152 mm
I	7", 178 mm
J	Min. 7/8", 22 mm Max. 2 3/8", 60 mm
K	3/16", 5 mm

Note: Dimensions are subject to change without notice.

SPB-3510-1.5
Dia™ Single Lever Bar Sink Faucet
Operation & Maintenance Manual

Parts Breakdown



Replacement Parts		
Item	Description	Part Number
B	1.5 gpm aerator	RK-015-1.5
C	Cartridge	BL-120
D	Handle Assembly	RK-013

Notes:

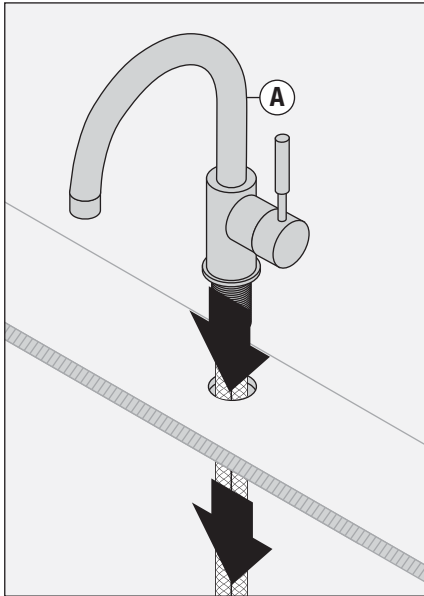
- 1) Append -STN to part number for satin nickel finish.
- 2) Append -1.0 or delete -1.5 for aerator flow restrictor.

Required for Installation	
Phillips head screwdriver	
Allen wrench (3/16")	
Teflon Tape	

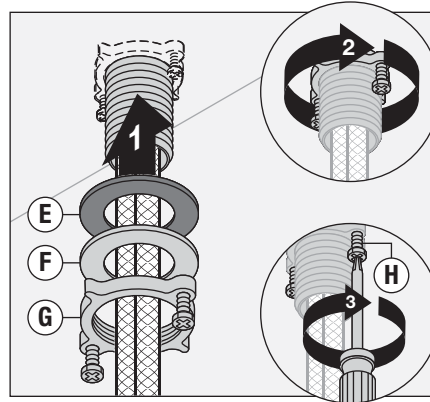
SPB-3510-1.5
Dia™ Single Lever Bar Sink Faucet
Operation & Maintenance Manual

Installation

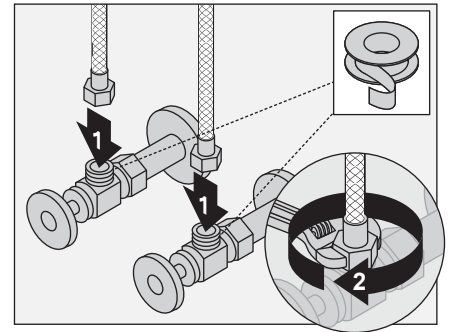
1) Insert faucet body (A) through deck plate.



2) Slide rubber washer (E), metal washer (F), and nut (G) on to threaded studs. Hand tighten nut (G) then tighten screws (H).



3) Install Teflon tape to inlets of shut-off valves. Attach supply lines to shut-off valves and hand tighten. Using a wrench, finish with one-half turn. **DO NOT** overtighten.



Care and Cleaning

1) Clean finished trim area with a soft cloth using mild soap and water or a non-abrasive cleaner and then quickly rinse with water.

Troubleshooting Chart

Problem	Cause	Solution
Finish is spotting.	Elements in water supply may cause water staining on finish.	Clean finished trim area with a soft cloth using mild soap and water or a non-abrasive cleaner and then quickly rinse with water.
Faucet is leaking from handle or faucet body.	Remove cartridge and inspect for foreign matter. Replace cartridge if necessary.	Cartridge o-rings are worn or foreign matter (dirt, chips) is lodged between cartridge and o-rings.
Soak cartridge in white vinegar for 1 hour to breakdown hard water deposits, then rinse with water. Replace cartridge if necessary.	Hard water deposit inside of cartridge is preventing accurate mix of hot and cold water.	Faucet no longer maintains desired temperature.