



Z1231-79

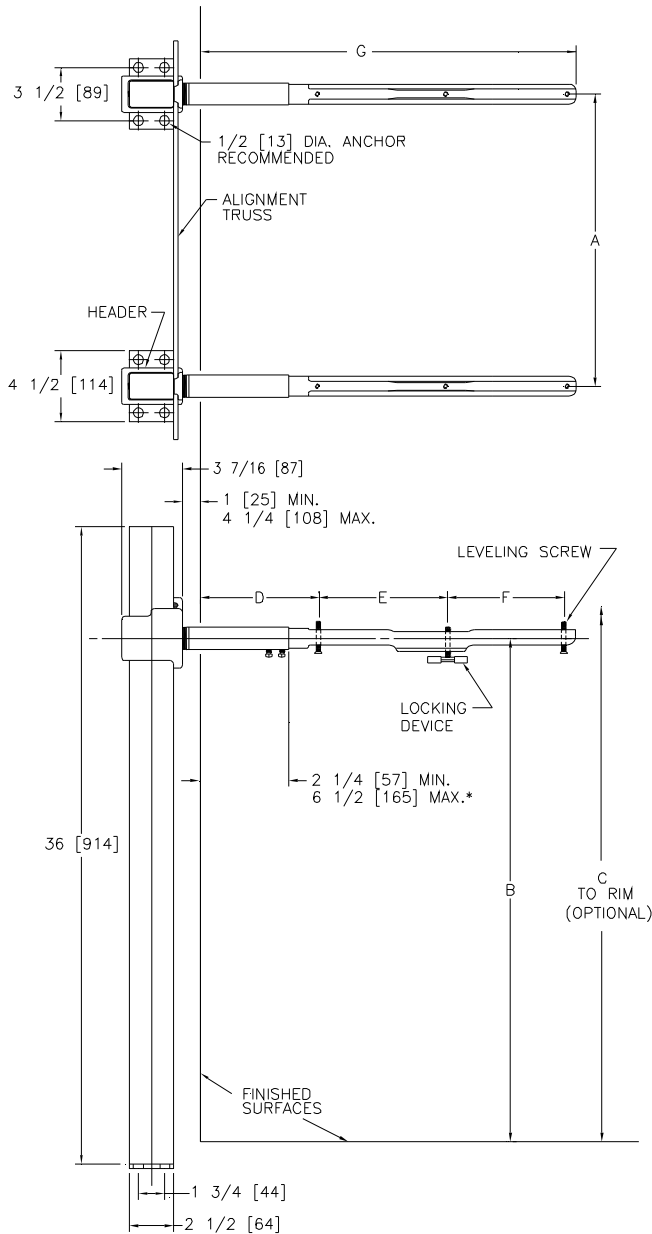
SPECIFICATION SHEET

INSTALLATION SHEET

TAG _____

(TYPICAL INSTALLATION SHOWN)

Dimensional Data (inches and [mm]) are Subject to Manufacturing Tolerances and Change Without Notice



*WITH STANDARD SLEEVE LENGTH OF 7 1/4

	A	B	C	D	E	F	G
American Std. (20 x 27)							
Wheelchair 9140.013, .021, .039, .047, .913, .947							
9141.011, .029, .035, .911							
16-3/4	32-1/4	34	7-1/2	7	7	21-7/8	
[425]	[819]	[864]	[191]	[178]	[178]	[556]	
Eljer (20-1/2 x 27-1/4)							
Wheelchair 051-2961, 051-2964, 051-2968							
16-3/4	33	34	7-1/2	7	7	21-7/8	
[425]	[838]	[864]	[191]	[178]	[178]	[556]	
Kohler (20 X 27)							
Morningside K-12634 K-12635 K-12636 K-12638							
16-3/4	32-1/2	34	7-1/2	7	7	21-7/8	
[425]	[826]	[864]	[191]	[178]	[178]	[556]	
Sloan (20 x 27)							
ADA Wall Mount Lavatory SS-3804							
16-3/4	32-3/8	34	7-1/4	7	7	21-5/8	
[425]	[822]	[864]	[184]	[178]	[178]	[549]	
Zurn Commercial Fixtures Lavatory (20-1/4 x 27)							
ADA Lavatories Z5331, Z5334, Z5338							
16-3/4	32-1/4	34	7-1/2	7	7	21-7/8	
[425]	[819]	[864]	[191]	[178]	[178]	[556]	

PARTS LIST

PART NUMBER

(2) Header	56311-001
(1) Alignment Truss (24 [610])	28588-008
(2) Arm	02008-001
(2) Arm Sleeve (7-1/4 [184])	82069-002
(4) Arm Set Screw (3/8-16 X 1/2 [13])	18006-071
(4) Header Set Screw (3/8-16 X 1/2 [13])	18006-071

(1) BAG #8:

(2) Locking Device	30027-001
(4) Leveling Screw	23453-042
(1/4-20 X 1-3/4 [45])	
(3) INSTRUCTION SHEET	Form #C3-C6

* Regularly furnished unless otherwise specified.