

Part No.	Description
M21 EAA 307	REMOTE TEMPERATURE SENSOR

For models designed for US market



BEFORE INSTALLATION

The remote temperature sensor is used when the room temperature thermistor cannot detect the accurate room temperature. Install the remote temperature sensor where the average room temperature can be detected accurately.

Avoid the place where it is exposed to direct sunlight or air flow from the air conditioner, or near the power source.

- Wear protective equipment such as gloves for your safety.
- Be careful not to wet electrical parts with water or snow during installation. Wet electrical parts could cause malfunction.
- Remove static electricity before installation. Failure to do so may cause damage to the indoor control P.C. board.

Components

① Remote temperature sensor	1	④ Cable clamp	2	⑦ Band	2
② Connecting cable 16 ft. (5 m)	1	⑤ Screw A  4 x 16	1	⑧ Label	1
③ Junction cable	1	⑥ Screw B 	3		

1. Wiring to the Indoor Unit

- Turn off the breaker before installation.
- Connect the remote temperature sensor ① to the indoor control P.C. board installed in the air conditioner with the connecting cable ②.
- Do not bundle together the connecting cable ② and other cables/wires such as the power supply cord, the indoor/outdoor connecting wire, and the ground (earth) wire. Keep as much distance as possible between the connecting cable ② and other cables/wires.

- Remove the panel.
- Open the cover of the indoor control P.C. board.
- Remove the existing room temperature thermistor from CN111, and identify the shape of the connector. If the connector of the removed room temperature thermistor and that of the connecting cable ② are different in shape, connect the junction cable ③ to the connecting cable ②.
- Route the wires and cables in the indoor unit by following the installation manual for the interface came with the indoor unit. (How to route the wires/cables varies depending on the indoor unit model.) Also, identify the position where the interface cable is secured (hereafter position ④) by referring to the same installation manual.
- Connect the connecting cable ② (or the junction cable ③ connected to the connected cable ②) to CN111.
- Leave some slack in the connecting cable ② between CN111 and position ④, and make a loop with an inner diameter of 3/8 to 9/16 inches (10 to 15 mm) near position ④. Fasten the loop with the band ⑦. Attach the cable clamp ④ to the loop, and secure it to position ④ with the screw A ⑤. (Fig. 1)
- Close the cover of the indoor control P.C. board. Reinstall the panel.

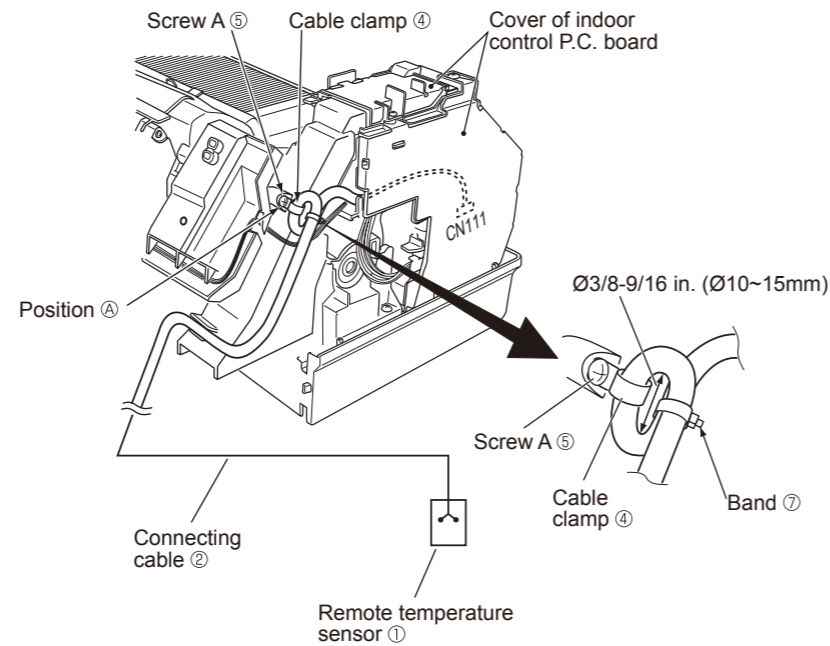


Fig. 1



WARNING

Fix the connecting cable at the prescribed position securely. Incorrect installation may cause electric shock, fire, and/or malfunction.

THE FOLLOWING SHOULD ALWAYS BE OBSERVED FOR SAFETY

- Be sure to read these safety precautions and instructions.
- Be sure to observe the warnings and cautions specified here as they include important items related to safety.
- After reading this manual, be sure to store it for future reference.

WARNING (Could lead to death, serious injury, etc.)

- **Do not install the unit by yourself (user).**
Incomplete installation could cause fire, electric shock, or injury due to the unit falling, or leakage of water. Consult the dealer from whom you purchased the unit or a qualified installer.
- **Be sure to use the parts provided or specified parts for the installation work.**
Incomplete installation could cause fire, electric shock, or injury.

2. Attaching the Remote Temperature Sensor

- Turn off the breaker before installation.
- Be sure to wire the remote temperature sensor ① to the indoor unit first. Before performing the following procedures, make sure that the connecting cable ② reaches where the remote temperature sensor ① will be installed. (The connecting cable ② is 16 ft. (5 m) in length. If it is too long, cut it to the appropriate length.)

- Remove the screws of the cover of the remote temperature sensor ①, and remove the cover. (Fig. 2)
- Place the remote temperature sensor ① with the cable knockout facing upward. Using a knife or a similar tool, remove the cable knockout. Pass the connecting cable ② through the knockout hole.
- Strip the end of the connecting cable ② as indicated in Fig. 3. Attach the band ⑦ securely to the connecting cable ② at a distance of 13/16 inches from its end. Cut off the excess band end.
- Connect the cable cores to the terminal block of the remote temperature sensor ①. (They do not have polarity.)
- Secure the remote temperature sensor ① to the wall with 2 screws B ⑥. (Fig. 3)
- Secure the connecting cable ② to the wall above the box of the remote temperature sensor ① using the cable clamp ④ and the screw B ⑥. (Fig. 3)
- Screw the cover to the box of the remote temperature sensor ①. Attach the label ⑧ on the cover. (Fig. 2)

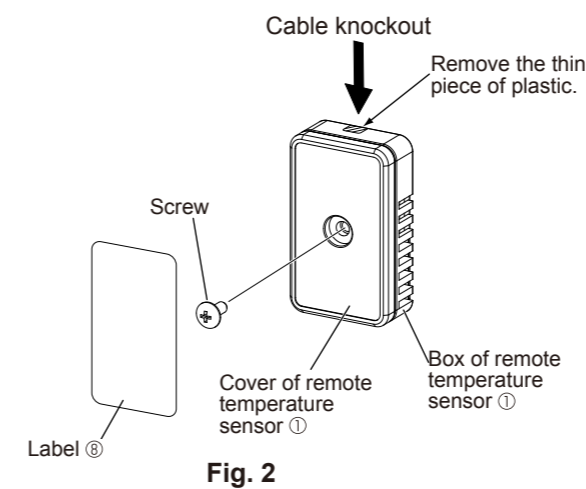


Fig. 2

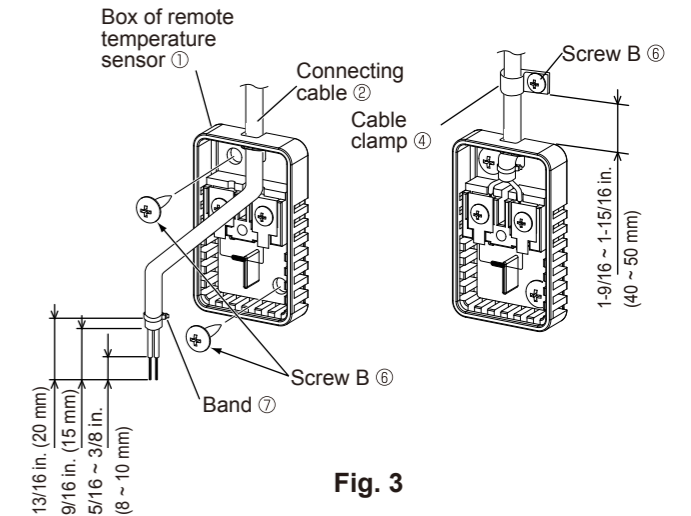


Fig. 3

3. Operation Check

- Confirm that the air conditioner operates normally for 6 minutes or more.
- If the connection is incomplete or incorrect, the air conditioner will not operate normally.