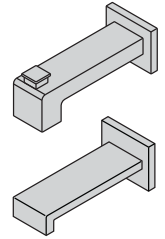



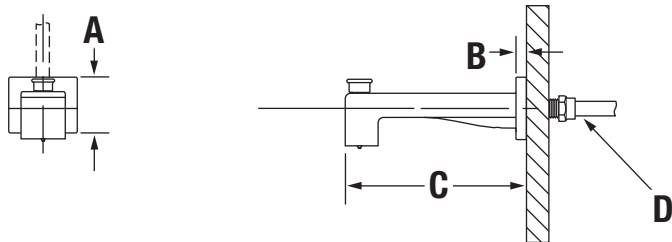
**361DTS, 361TS**  
**Duro™ Tub Spout Series**  
**Operation & Maintenance Manual**



<p><b>Model Numbers</b></p> <p><input type="checkbox"/> <b>361DTS</b>      <i>Duro Tub Spout</i></p> <p><input type="checkbox"/> <b>361TS</b>      <i>Duro Non-Diverter Tub Spout</i></p>	<p><b>Specifications</b></p> <p>6 1/2" diverter tub spout (361DTS) and 6" non-diverter tub spout (361TS) made from brass plated in standard polished chrome finish.</p>
<p><b>Modifications</b></p> <p><input type="checkbox"/> <b>-STN</b>      <i>Satin nickel finish</i></p>	<p><b>Compliance</b></p> <p>-ASME A112.18.1/CSA B125.1</p> 
<p><b>Note:</b> Append appropriate -suffix to model number.</p>	<p><b>Warranty</b></p> <p><b>Limited Lifetime</b> - to the original end purchaser in consumer installations. <b>5 Years</b> - for commercial installations.</p> <p>Refer to <a href="http://www.symmons.com/warranty">www.symmons.com/warranty</a> for complete warranty information.</p>

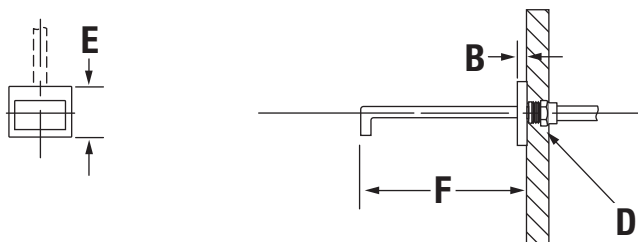
**Dimensions**

**361DTS**



Measurements	
A	2 1/4", 57 mm
B	3/8", 10 mm
C	6 1/2", 165 mm
D	1/2" - 14 NPT
E	2 1/4", 57 mm
F	6", 152 mm

**361TS**



Required for Installation	
Teflon Tape	

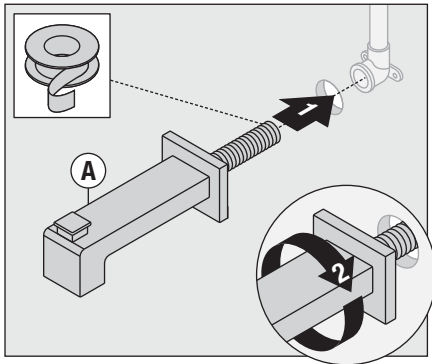
**Note:** Dimensions are subject to change without notice.

**361DTS, 361TS**  
**Duro™ Tub Spout Series**  
**Operation & Maintenance Manual**

**Installation**

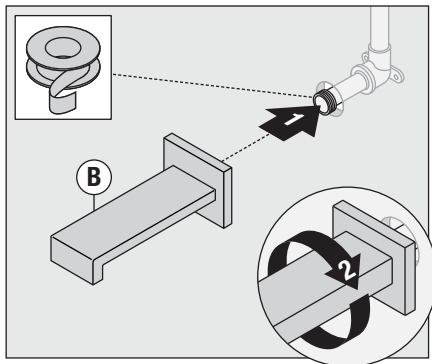
**Note:** 361DTS only.

1a) Install diverter tub spout (A) to elbow. Turn clockwise to secure.



**Note:** 361TS only.

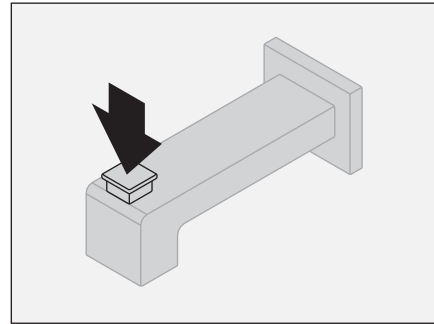
1b) Install non-diverter tub spout (B) to stub out pipe. Turn clockwise to secure.



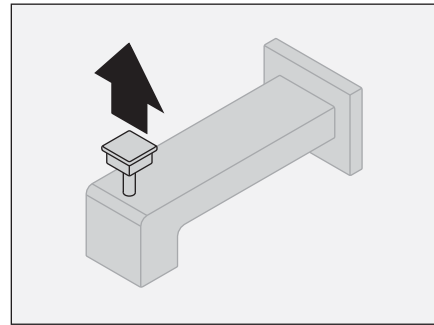
**Diverter Control**

**Note:** 361DTS only.

1) Diverter lever in down position for tub spout operation.



2) Diverter lever in up position for shower operation.



**Care and Cleaning**

1) Clean finished trim area with a soft cloth using mild soap and water or a non-abrasive cleaner and then quickly rinse with water.