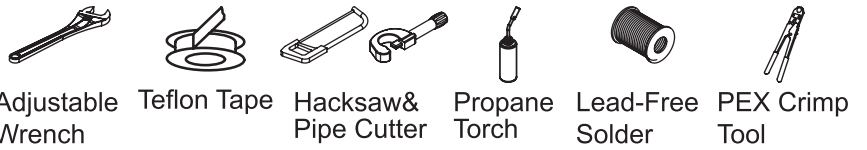




OLYMPIA FAUCETS, INC.
 3325 S. Garfield Ave.
 Commerce, CA 90040
 (888) 772-7701
 www.olympiafaucets.com

INSTALLATION

Tools:



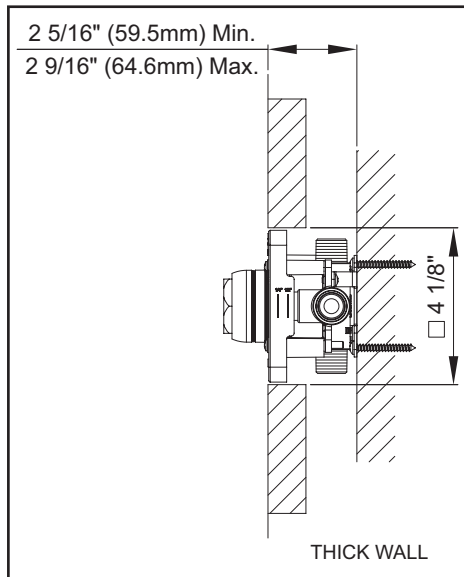
Model Number: V-23XXB, V-24XXB

Warnings and Notes:

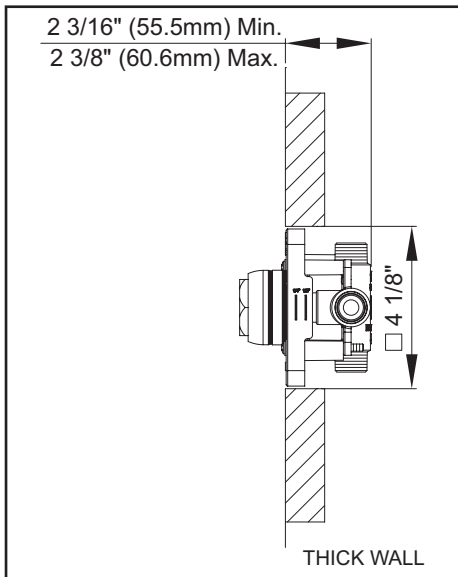
Check with local plumbing code requirements before installation.
 This product should be installed by a local listed plumber.
Do not use plumbers putty on threads.

Installation Steps:

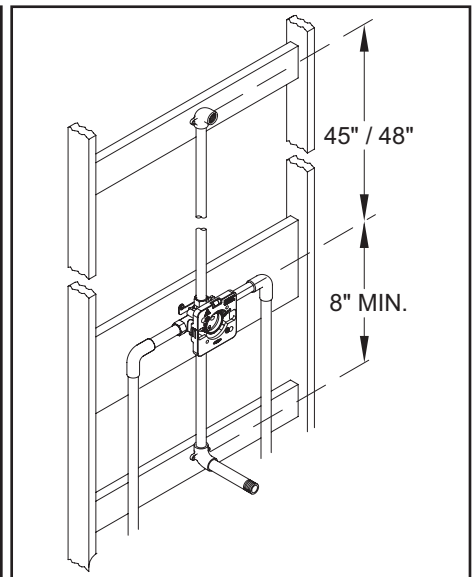
Single Handle Pressure Balance Tub and Shower Valve Set



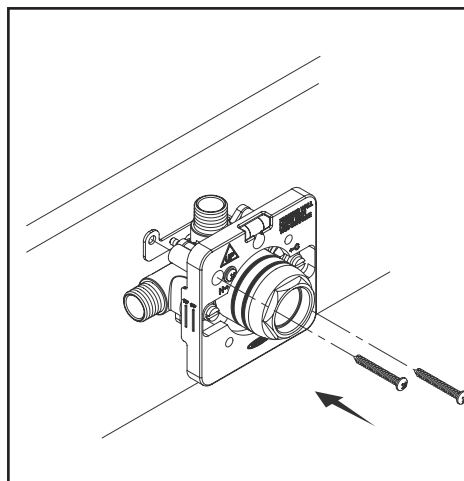
(1) Installation Distance With Bracket.



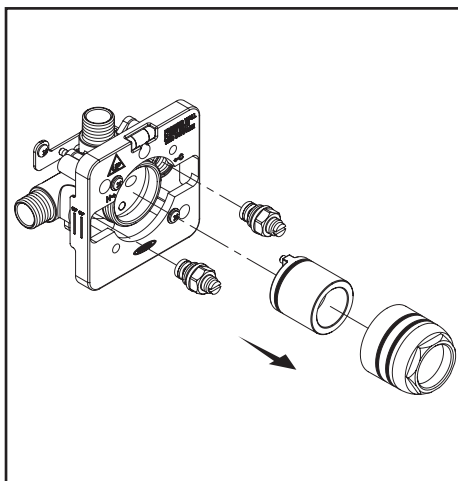
(2) Installation Distance Without Bracket.



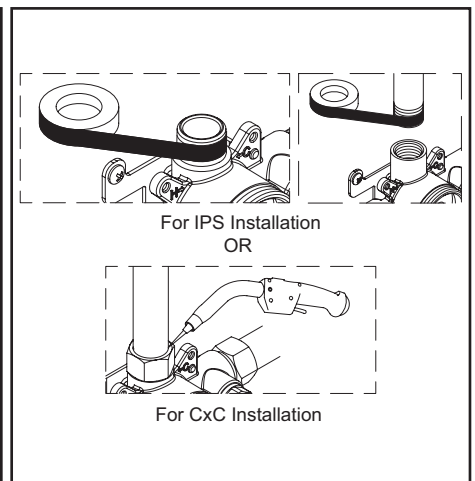
(3) For Tub Spout Use 1/2" copper or IPS Pipe
 Only For Shower Only Use Provided 1/2" Cap to cap tub outlet.



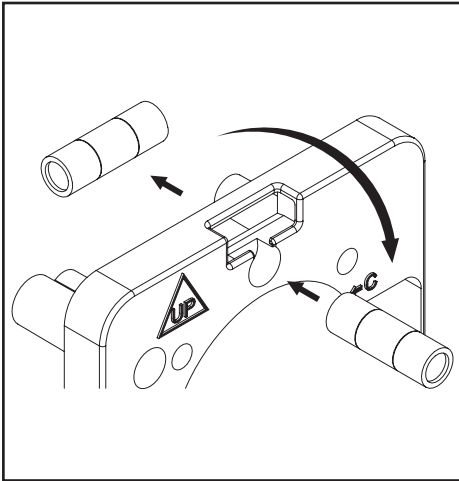
(4) Install Valve with 2 Wood screws provided.



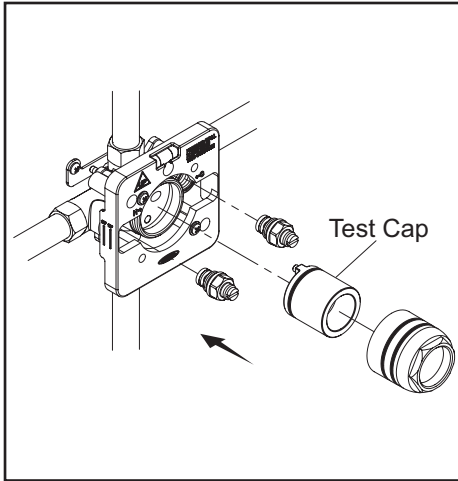
(5) For CXC Installation :- Remove Mud Guard Plate, Sleeve Nut, Test Cap And Inlet Stop Assemblies Before Soldering.



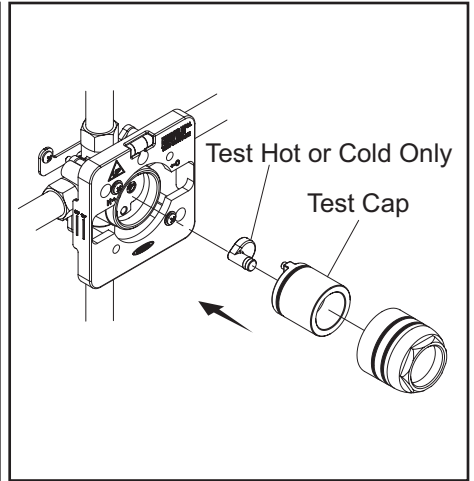
(6) Connect valve body to water inlets using the proper fittings (Copper, IPS, PEX-Crimp, PEX-Cold Expansion, CPVC). Note:- For PEX, be sure to use the right fitting for crimping and the right fitting for Cold Expansion.



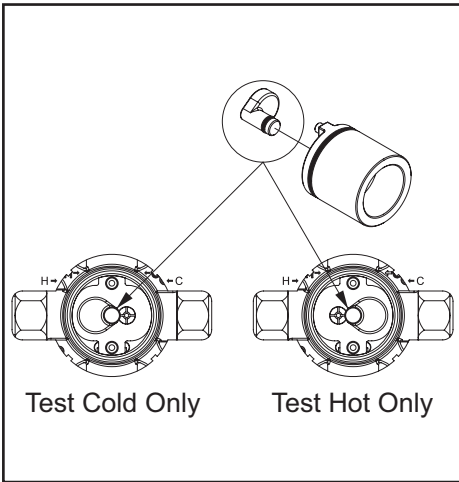
(7) Ensure Valve is leveled. To check vertical leveling remove level and put in the front hole in mud guard.



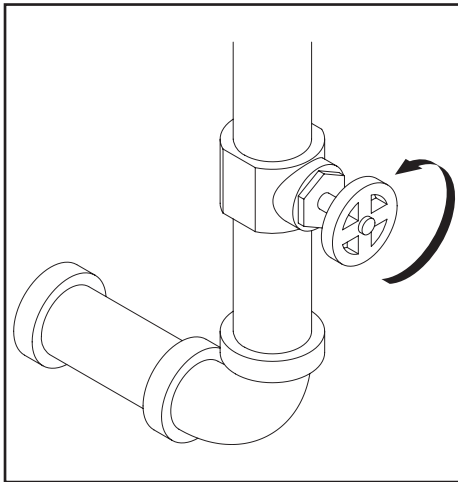
(8) For CXC Installation :- Assemble Inlet Stop Assemblies, Test Cap, Sleeve Nut And Mud Guard Plate After Installation Is Completed. Please Note That Do Not Tighten More Than 15 Lbs / Inch² While Replacing Inlet Stop Assemblies. Overtightening May Cause Damage To The Inlet Stop Assemblies.



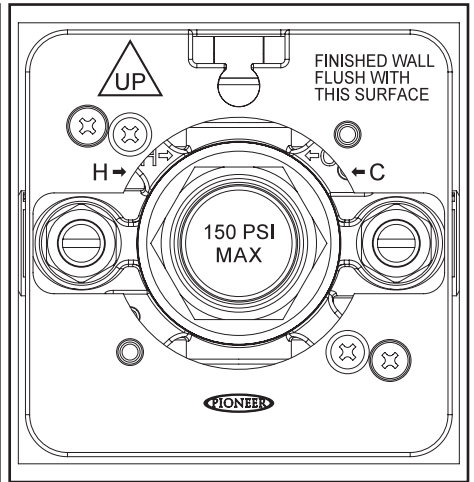
(9) To test Hot or Cold inlet Install the test plug to Test Cap.



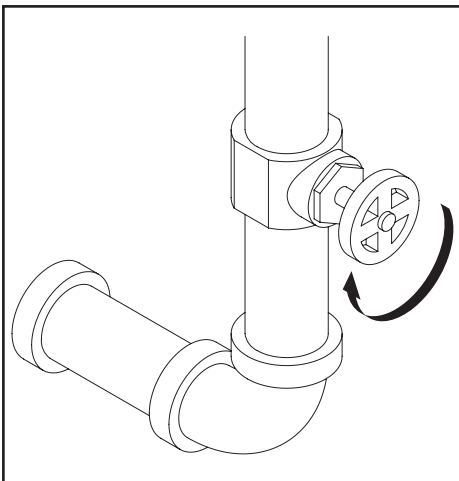
(10) Test plug can be positioned on Cold or Hot inlet.



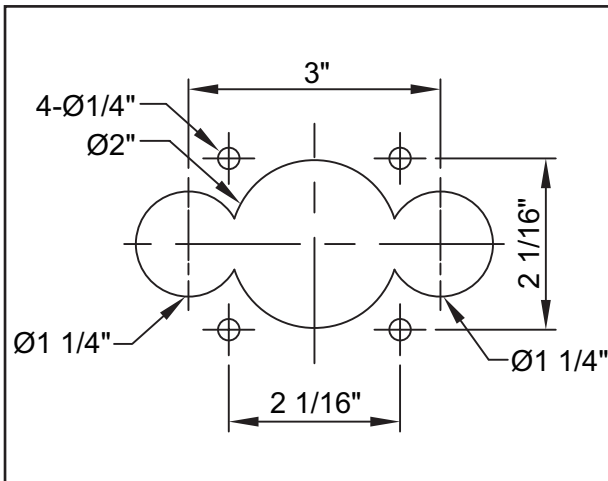
(11) Turn on Water Supply.



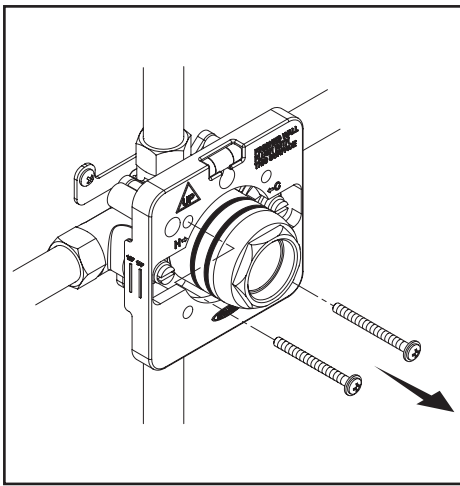
(12) Valve can be tested 150 PSI Max for Air or Water Pressure.



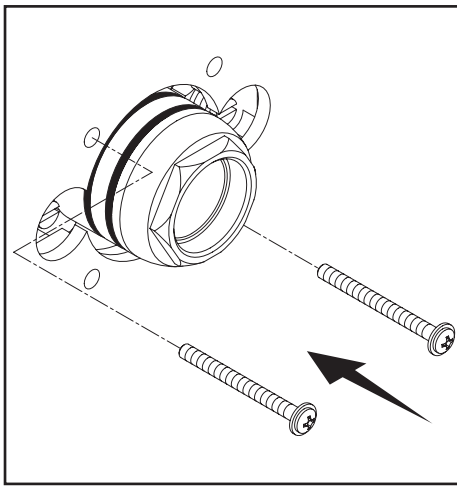
(13) Once Testing is completed turn off Water Supply.



(14) For Thin Wall Installation:- Use Provided template for thin wall installation.



(15) Remove Mud guard screws.

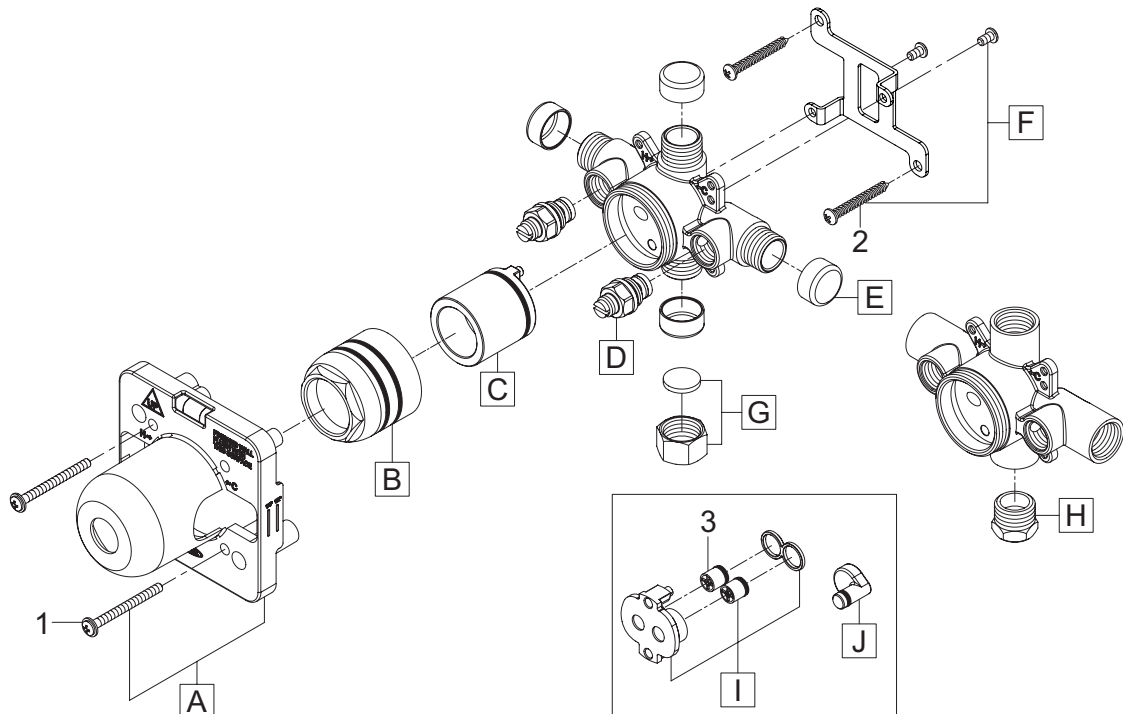


(16) Use Mud guard screws to secure valve to thin wall.

Exploded Drawing:

ITEM #	DESCRIPTION
H	OP-440020 Plug (For V-2X16B)
I	OP-440061 CHECK VALVE (For V-24XXB)
J	OP-440062 Test Plug (For V-24XXB)
1	OP-440063 Mud Guard Screw
2	X-4900055 Mounting Bracket Screws
3	XCS-47001 10 MM CHECK VALVE (For V-24XXB)

ITEM #	DESCRIPTION
A	OP-440059 Mud Guard
B	OP-440053 Sleeve Nut
C	OP-440060 Test Cap
D	OP-440007 Inlet Stop Assembly (For V-23XXB)
E	OP-440023 Protective Cap (For V-2X00B)
F	OP-540003 Mounting Bracket With Screws
G	X-4900025 Cap and Washe (For V-2X00B)



OLYMPIA

For more care information or trouble shooting inquiries about your Olympia product, Please call:
OLYMPIA FAUCETS, INC. (888) 772-7701
 Monday-Friday 8 AM to 8 PM EST (5 AM to 5 PM PST)
www.olympiafaucets.com