



This portion of the manual covers the following models:

- **RZ250W (Requires Z955W)**

**Congratulations on purchasing a PRO1 Wireless Zoning System.**

This remote sensor was designed to the highest reliability and ease of use standards. Thank you for choosing Pro1.

Table of Contents	Page
Quick Reference	2
Establishing Communication	3
Installation Tips	4
Specifications & Contact Info	5



**Caution:**

**Equipment damage hazard**

Do not operate the cooling system if the outdoor temperature is below 50° F (10° C) to prevent possible compressor damage.

**A trained, experienced technician must install this product.**

Carefully read these instructions. You could damage this product or cause a hazardous condition if you fail to follow these instructions.

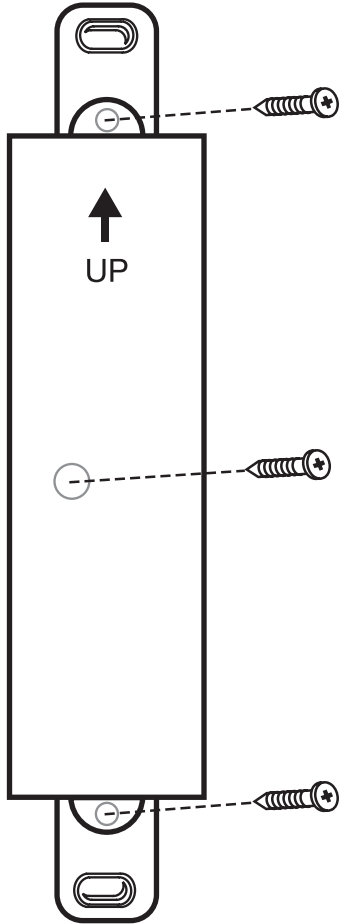
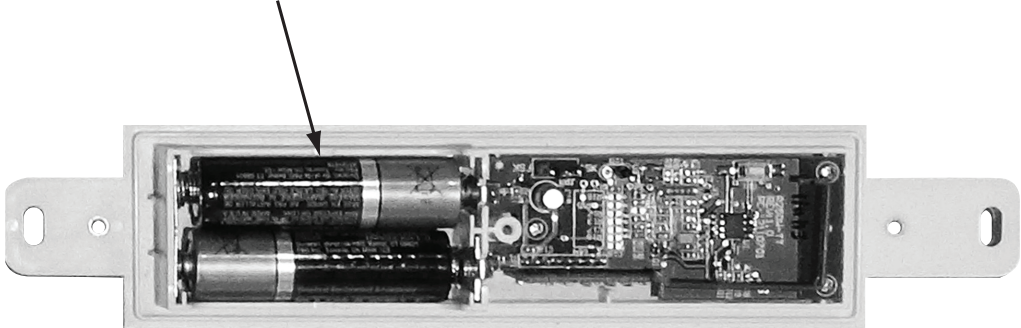
**Need Help?**

For assistance with this product please visit <http://www.pro1iaq.com> or call Pro1 Customer Care toll-free at 888-Pro1iaq (776-1427) during normal business hours (Mon-Fri 9 AM - 6 PM Eastern)

Una versión española de este manual puede ser descargada en [www.pro1iaq.com](http://www.pro1iaq.com)

### Installing Batteries

To install 2 AA batteries remove the three screws shown in the diagram. One in the middle of the inside cover box, and two on either side of the cover box.



**Note about low batteries:**  
When the outdoor battery needs to be changed the **Z955W Master Thermostat** will flash **LOW BAT OUTDOOR** as seen on the left.

### PRO1 TIP

and this **RZ250W**

Before putting the inside cover back on, proceed to the next page to establish a connection between the **Z955W Master Thermostat**

## Remember

The PRO1 Wireless Zoning System contains selectable wireless communication. Each component has a jumper switch label FSK and ASK. Default setting: FSK.

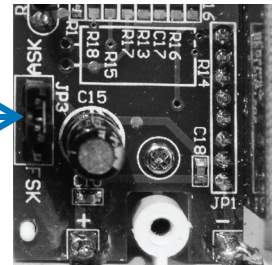
All components must be set to the same position for wireless communication.

(\*ASK is required to connect to a T955W or T955WH.)

Inside of RZ250W



FSK/ ASK Switch



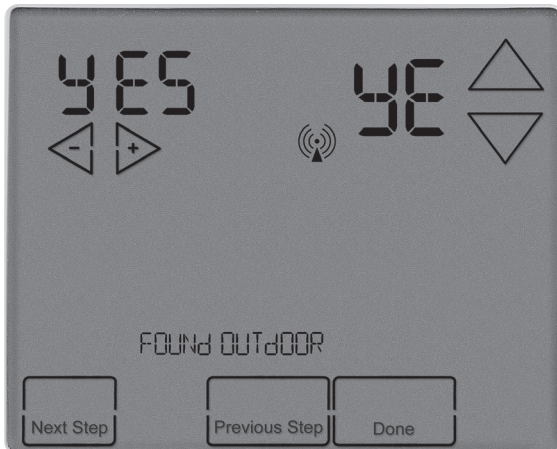
## Connecting to the Master Thermostat

Easy, two step communication link set up.

1. The **Z955W** Master Thermostat Tech setting for the outdoor remote sensor must be set to **YES**. See the **Z955W** manual for instructions.
2. While the **Z955W** is on the **Outdoor Sensor** screen hold down the connection button on the inside of the **Outdoor Remote** until the **Z955W** shows the letters **YE** and says **Found Outdoor**.



Connection button located inside the **RZ250W**



### Example Step 2.

The Z955W, T955W, & T955WH Found Outdoor Screen.

### Important:

DO NOT press the connection button again after Step 2 above has been completed. Pressing the button a second time will break the communication link and the connection steps will have to be repeated.

## PRO1 TIP

For installations where the temperature will be frequently below freezing, battery life may be much better with 2 AA lithium batteries.

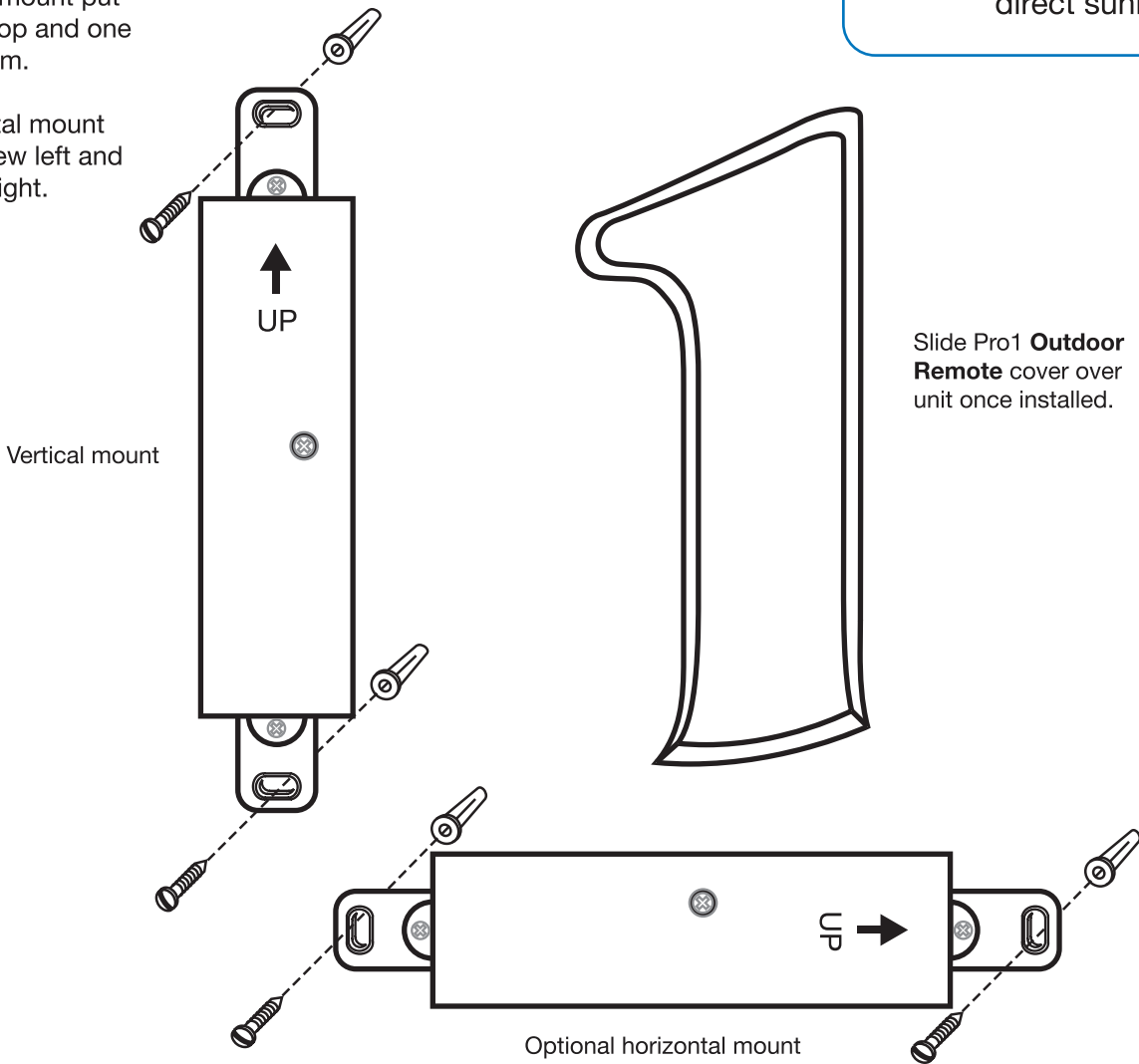
### Wireless Range

Range between the RZ250W and the Z955W master thermostat is approximately 100 feet with no obstructions and approximately 50 feet in standard residential metal, brick, and concrete construction.

### Mounting the Outdoor Remote Sensor

For vertical mount put one screw top and one screw bottom.

For horizontal mount put one screw left and one screw right.



 **Important:**  
Do not install in direct sunlight.

### Specifications

---

Temperature Range.....	-4° to 140°F (-20° to 60°C)
Temperature accuracy .....	± 1°F
Power source .....	Battery Power from 2 AA 1.5 V Batteries
Transmission .....	Every 5 minutes
Frequency .....	916 MHz

### Contact Us

---

#### **Pro1 IAQ Inc.**

1111 S. Glenstone  
Suite 2-100  
Springfield, MO 65804

**Toll-free:** 1-888-Pro1iaq (776-1427)

**Toll Number (Outside the USA):** 330-821-3600

**Web:** <http://www.pro1iaq.com>

**Hours of Operation:** Monday - Friday 9 AM - 6 PM Eastern