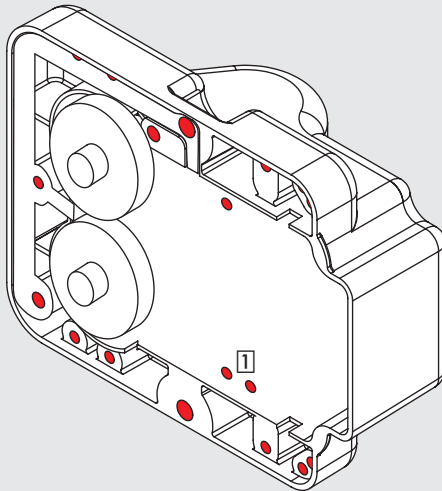




Universal Mounting

The precisely-engineered hole patterns on the bottom of the **Pro-X 45000** enables it to be mounted on virtually any manufacturer's existing ignitor base plate.



Ignitor Model	45000
Power Input	120 VAC, 60 HZ, 40 VA
Ignitor Output	19 KV, 35 mA RMS
Secondary Grounding	Midpoint
Operating Temperature Limits	+32°F to +140°F
Storage Temperature Limits	-40F to +185°F
Agencies	UL Recognized U.S. and Canada

WARNING Carlin ignitors and ignitor kits must be installed and serviced only by a qualified burner service technician. Always disconnect power source before wiring to avoid electrical shock or damage to electrical components.

Installing and Wiring

1. Carlin Pro-X 45000 universal ignitors can be mounted directly on top of the burner housing/baseplate in the same manner as existing ignitor.

NOTE: since the Pro-X 45000 Ignitor is universal, it can be mounted on virtually any burner without changing baseplates.

2. Disconnect electrical power to the burner. Disconnect wires from primary control to existing ignitor.
3. Remove any screws securing ignitor.
4. Observe the routing of electrical wiring from burner junction box to ignitor.
5. Remove existing ignitor.
6. Select and install the appropriate terminals/springs based on the burner application. If the appropriate terminals are not included, remove and reuse the terminals from the ignitor being replaced.

IMPORTANT: Make sure to align terminals so that they make good contact with the electrode rods. In some cases properly aligned terminals will not be parallel to each other.

7. When installing on most baseplates (except Allanson – see below) use supplied screws or reuse screws from ignitor being replaced. (Figure 1 on back)

IMPORTANT: If installing on an Allanson baseplate, you **MUST** use two (2) screws pre-installed in the ignitor [1]. Use of other screws with an Allanson baseplate could damage the ignitor. Simply remove the two (2) pre-installed screws and use them to attach the ignitor to baseplate (via the innermost plastic screw holes that align with the holes on the baseplate). Use the large flat head screw included to attach the ignitor to baseplate via front center hole.

8. Install new ignitor. Install, connect and route the ignitor wiring the same as the original ignitor wiring was installed.
9. Make sure the ignitor is firmly attached and that all electrical connections meet local codes before applying power.

TECH SUPPORT HOTLINE 800-989-2275

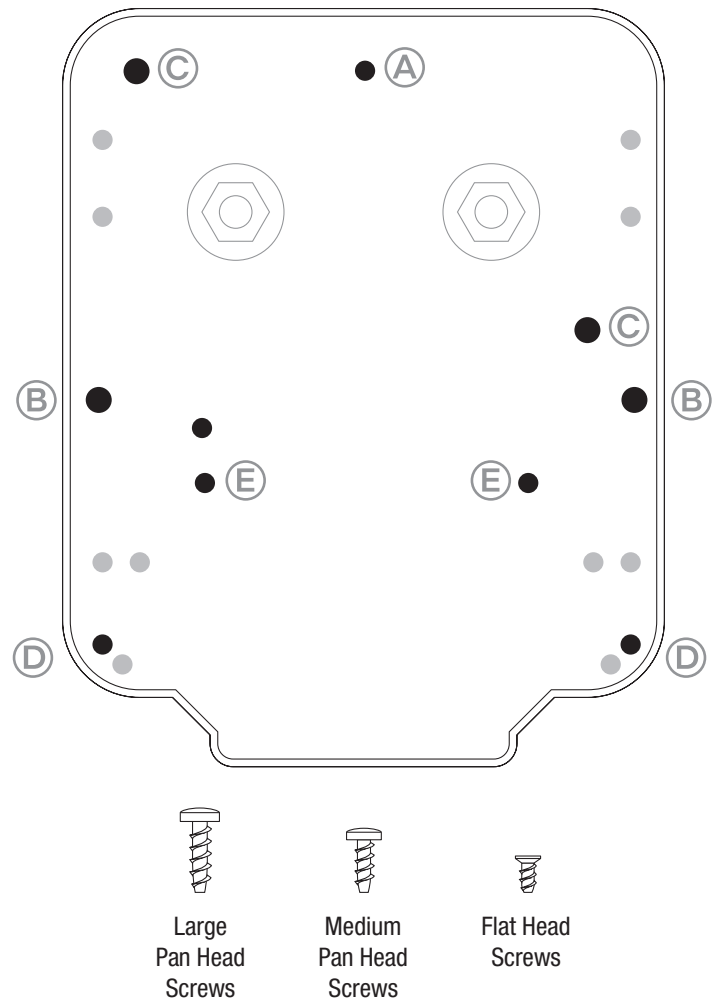
Figure 1

Mounting the Model 45000 Ignitor

Beckett – Reuse screws from old ignitor in (B) holes. Mount from top.

Carlin – Use two large pan head screws in (C) holes and two medium pan head screws in (D) holes.

Allanson – Use two small flat head screws (stored in ignitor) in (E) holes and one small flat head screw from polybag in hole (A).



Manufacturer	Replaces Models
CARLIN	41000S, 41000SOBK1, 41000SOBK2, 41000SOCAS, 41000SOLC, 41000SOSC, 41000SOWA1, 41000SOWA2, 41000SOWA3, 41000SOWM
ALLANSON	2275-456, 2275-605, 2275-619, 2275-620, 2275-628G, 2275-629, 2275-630, 2275-633, 2275-647, 2275-653, 2275-658, 2275U
BECKETT	51771U, 51805U, 51824U, 51825U, 51826U, 51827U, 51828, 51836U, 51837U, 51840U, 5188U
FRANCE	10SAY-03, 10SAY-04, 10SAY-05, 10SAY-15, 10SAY-16, 10SAY-30, 10SAY-31, 10SAY-32, 10SAY-56, 10SAYL-70
WEBSTER	12-8AB7, 313-24AB81, 313-25AB78, 313-28AB205, 313-28AB85, 313-28AB91, 3-24AB-AER, 3-28AB-BAFR, 3-28AB-BS, 3-32AB-BAF