

INSTALLATION INSTRUCTIONS

Single Package Gas Heating / Electric Cooling



Premium Model Shown

⚠ WARNING

FIRE OR EXPLOSION HAZARD

Failure to follow safety warnings exactly could result in serious injury or property damage.

– Do not store or use gasoline or other flammable vapors and liquids in the vicinity of this or any other appliance.

WHAT TO DO IF YOU SMELL GAS

- Do not try to light any appliance.
 - Do not touch any electrical switch; do not use any phone in your building.
 - Leave the building immediately.
 - Immediately call your gas supplier from a neighbors phone. Follow the gas suppliers instructions.
 - If you cannot reach your gas supplier, call the fire department.
- Installation and service must be performed by a qualified installer, service agency or the gas supplier.

⚠ AVERTISSEMENT

RISQUE D'INCENDIE OU D'EXPLOSION

Si les consignes de sécurité ne sont pas suivies à la lettre, cela peut entraîner la mort, de graves blessures ou des dommages matériels.

– Ne pas entreposer ni utiliser de l'essence ni d'autres vapeurs ou liquides inflammables dans le voisinage de cet appareil, ni de tout autre appareil.

QUE FAIRE SI UNE ODEUR DE GAZ EST DÉTECTÉE

- Ne mettre en marche aucun appareil.
 - Ne toucher aucun interrupteur électrique; ne pas utiliser de téléphone dans le bâtiment.
 - Quitter le bâtiment immédiatement.
 - Appeler immédiatement le fournisseur de gaz en utilisant le téléphone d'un voisin. Suivre les instructions du fournisseur de gaz.
 - Si le fournisseur de gaz n'est pas accessible, appeler le service d'incendie.
- L'installation et l'entretien doivent être effectués par un installateur ou une entreprise d'entretien qualifié, ou le fournisseur de gaz.

TABLE OF CONTENTS

IMPORTANT SAFETY INFORMATION.....	3	START UP & ADJUSTMENTS	14
REQUIREMENTS & CODES	4	Pre-Start Check List	14
GENERAL INFORMATION.....	5	Start-Up Procedure.....	14
Before you install this unit.....	5	Air Circulation.....	14
Locating the Equipment.....	5	System Cooling.....	15
Heating Load	5	System Heating.....	15
COMBUSTION AIR & VENTING REQUIREMENTS	6	Verifying & Adjusting Temperature Rise.....	15
General Information.....	7	Verifying & Adjusting Firing Rate.....	15
Vent Termination	7	Manifold Pressure Adjustment.....	16
CIRCULATING AIR SUPPLY	8	Verifying Over-Temperature Limit Control Operation	16
Air Ducts	8	Verifying Burner Operation	16
Air Filter Requirements	8	OPERATING SEQUENCE	16
Unconditioned Spaces.....	9	Heating Mode	16
Acoustical Duct Work.....	9	Cooling Mode	17
UNIT INSTALLATION.....	9	Fan Mode	17
Packaging Removal.....	9	EQUIPMENT MAINTENANCE.....	17
Rigging & Hoisting	9	Cleaning of Heat Exchanger.....	18
Clearances to Combustible Materials.....	9	Cleaning of Burners	18
Rooftop	9	COMPONENT FUNCTIONS	19
Ground Level	9	TROUBLESHOOTING.....	19
Horizontal to Downflow Conversion.....	9	FIGURES & TABLES.....	20
Condensate Drain.....	9	Figure 9. Unit Dimensions.....	20
ELECTRICAL WIRING	10	Table 6. Center of Gravity & Unit Shipping Weights ..	20
Pre-Electrical Checklist.....	11	Airflow Data	21
Grounding.....	11	Table 7. Nominal Heating Airflow Rates & Temperature Rises (° F).....	21
Line Voltage.....	11	Table 8. Nominal Cooling Airflow Rates & Temperature Rises (° F)	23
Thermostat / Low Voltage Connections.....	11	Gas Information	24
Checking Heat Anticipator Settings	11	Table 9. Gas Pipe Capacities	24
Blower Speed	12	Table 10. Gas Flow Rates	24
5-Speed ECM Motor	12	Figure 10. Gas Valve Label	25
Optional Furnace Control Board Connections.....	12	Wiring Diagram & Electrical Data	26
Electronic Air Cleaner	12	Figure 11. Wiring Diagram for 208/230V / 60 Hz Unit with ECM Motor	26
Humidifier.....	12	Table 11. Electrical Data.....	27
GAS SUPPLY & PIPING.....	12	REFRIGERANT CHARGING	27
Leak Check.....	13	Application Notes & Charging Charts	27
High Altitude Conversion - Natural Gas.....	13	Refrigerant Charging Tables (Cooling Mode Only)	28
LP / Propane Gas Conversion.....	13	Table 12. Charging Table for 2 Ton Models	28
		Table 13. Charging Table for 2.5 Ton Models	28
		Table 14. Charging Table for 3 Ton Models	29
		Table 15. Charging Table for 3.5 Ton Models	29
		Table 16. Charging Table for 4 Ton Models	30
		Figure 12. Charging Chart for 5 Ton Models	30
		INSTALLATION CHECKLIST.....	32
		REPLACEMENT PARTS	32

IMPORTANT SAFETY INFORMATION

Please read all instructions before servicing this equipment. Pay attention to all safety warnings and any other special notes highlighted in the manual. Safety markings are used frequently throughout this manual to designate a degree or level of seriousness and should not be ignored. **WARNING** indicates a potentially hazardous situation that if not avoided, could result in personal injury or death. **CAUTION** indicates a potentially hazardous situation that if not avoided, may result in minor or moderate injury or property damage.

WARNING:

ELECTRICAL SHOCK, FIRE OR EXPLOSION HAZARD

Failure to follow safety warnings exactly could result in serious injury or property damage.

Improper servicing could result in dangerous operation, serious injury, death or property damage.

- Before servicing, disconnect all electrical power to furnace.
- When servicing controls, label all wires prior to disconnecting. Reconnect wires correctly.
- Verify proper operation after servicing.

AVERTISSEMENT:

RISQUE DE CHOC ÉLECTRIQUE, D'INCENDIE OU D'EXPLOSION

Le non-respect des avertissements de sécurité pourrait entraîner un fonctionnement dangereux de l'appareil, des blessures graves, la mort ou des dommages matériels.

Un entreteïn incorrect pourrait entraîner un fonctionnement dangereux de l'appareil, des blessures graves, la mort ou des dommages matériels

- Couper toute alimentation électrique au générateur d'air chaud avant de prodéder aux travaux d'entreteïn.
- Au moment de l'entreteïn des commandes, étiquetez tous les fils avant de les débrancher. S'assurer de les raccorder correctement.
- S'assurer que l'appareil fonctionne adéquatement après l'entreteïn.

WARNING:

These units are fully charged with R-410A refrigerant and ready for installation. When a system is installed according to these instructions, no refrigerant charging is required. If repairs make it necessary for evacuation and charging, it should only be attempted by qualified, trained personnel thoroughly familiar with this equipment. Some local codes require licensed installation service personnel to service this type of equipment. Under no circumstances should the homeowner attempt to install and/or service this equipment. Failure to comply with this warning could result in equipment damage, personal injury, or death.

WARNING:

Do not place combustible material on or against the unit cabinet. Do not place combustible materials, including gasoline and any other flammable vapors and liquids, in the vicinity of the unit.

WARNING:

PROPOSITION 65 WARNING: This product contains fiberglass wool, a product known to the state of California to cause cancer. Disturbing the insulation of this product during installation, maintenance, or repair will expose you to fiberglass wool.

- Breathing this material may cause respiratory irritations or may cause lung cancer.
- Fiberglass wool may also cause eye irritation, skin sensitization, or other allergic responses in susceptible individuals.
- Always wear goggles, disposable gloves, long sleeved shirt, and appropriate breathing protection when working near this insulation. If contact with skin occurs, wash immediately with soap and water. In case of contact with eyes, flush immediately with water for at least 15 minutes. Contact a physician if needed.

WARNING:

The information listed below and on the next page must be followed during the installation, service, and operation of this unit. Unqualified individuals should not attempt to interpret these instructions or install this equipment. Failure to follow safety recommendations could result in possible damage to the equipment, serious personal injury or death.

- Before beginning the installation, verify that the unit model is correct for the job. The unit model number is printed on the data label. Follow all precautions in the literature, on tags, and on labels provided with the equipment. Read and thoroughly understand the instructions provided with the equipment prior to performing the installation and operational checkout of the equipment.
- Never test for gas leaks with an open flame. Use a commercially available soap solution to check all connections. See [page 13](#).
- Installation of equipment may require brazing operations. Installer must comply with safety codes and wear appropriate safety equipment (safety glasses, work gloves, fire extinguisher, etc.) when performing brazing operations.
- This equipment is **NOT** to be used for temporary heating of buildings or structures under construction.
- Use caution when handling this appliance or removing components. Personal injury can occur from sharp metal edges present in all sheet metal constructed equipment.
- Follow all precautions in the literature, on tags, and on labels provided with the equipment. Read and thoroughly understand the instructions provided with the equipment prior to performing the installation and operational checkout of the equipment.
- The installer should become familiar with the units wiring diagram before making any electrical connections to the unit. See the unit wiring label or [Figure 11 \(page 26\)](#).

REQUIREMENTS & CODES

- **This equipment must be installed in accordance with instructions outlined in this manual, all applicable local building codes, and the current revision of the National Fuel Gas Code (NFPA54/ANSI Z223.1) or the Natural Gas and Propane Installation Code, CAN/CGA B149.1.**
- All electrical wiring must be completed in accordance with local, state and national codes and regulations and with the National Electric Code (ANSI/NFPA 70) or in Canada the Canadian Electric Code Part 1 CSA C.22.1.
- The installer must comply with all local codes and regulations which govern the installation of this type of equipment. Local codes and regulations take precedence over any recommendations contained in these instructions. Consult local building codes and the National Electrical Code (ANSI CI) for special installation requirements.
- This equipment contains liquid and gaseous refrigerant under high pressure. Installation or servicing should only be performed by qualified trained personnel thoroughly familiar with this type equipment.
- Install this unit only in a location and position as specified on [Figure 1 \(page 5\)](#). This unit is designed only for outdoor installations and should be located with consideration of minimizing the length of the supply and return ducts. Consideration should also be given to the accessibility of fuel, electric power, service access, noise, and shade.
- Air Ducts must be installed in accordance with the standards of the National Fire Protection Association “Standards for Installation of Air Conditioning and Ventilation Systems”

(NFPA 90A), “Standard for Installation of Residence Type Warm Air Heating and Air Conditioning Systems” (NFPA 90B), these instructions, and all applicable local codes.

- Consult [Table 8 \(page 23\)](#), [Table 9 \(page 24\)](#), and the rating plate for the proper circulating airflow and temperature rise. It is important that the duct system be designed to provide the correct flow rates and external pressure rise. An improperly designed duct system can result in nuisance shutdowns, and comfort or noise issues.
- Use only with the type of gas approved for this unit. Refer to the unit rating plate.
- Provide adequate combustion and ventilation air to the unit. See [page 6 & page 7](#).
- Provide adequate clearances around the combustion air intake louvers. See [Figure 1](#).
- Combustion products must be discharged outdoors. Connect this unit to an approved vent system only, as specified on [page 7](#).
- The information listed below is for reference purposes only and does not necessarily have jurisdiction over local or state codes. Always consult with local authorities before installing any gas appliance.

Combustion & Ventilation Air

- US: National Fuel Gas Code (NFGC), Air for Combustion and Ventilation
- CANADA: Natural Gas and Propane Installation Codes (NSCNGPIC), Venting Systems and Air Supply for Appliances

Duct Systems

- US and CANADA: Air Conditioning Contractors Association (ACCA) Manual D, Sheet Metal and Air Conditioning Contractors National Association (SMACNA), or American Society of Heating, Refrigeration, and Air Conditioning Engineers (ASHRAE) Fundamentals Handbook

Electrical Connections

- US: National Electrical Code (NEC) ANSI/NFPA 70
- CANADA: Canadian Electrical Code CSA C22.1

Gas Piping & Gas Pipe Pressure Testing

- US: NFGC and National Plumbing Codes
- CANADA: NSCNGPIC

General Installation

- US: Current edition of the NFGC and the NFPA 90B. For copies, contact the National Fire Protection Association Inc., Batterymarch Park, Quincy, MA 02269; or American Gas Association, 400 N. Capitol, N.W., Washington DC 20001 or www.NFPA.org
- CANADA: NSCNGPIC. For a copy, contact Standard Sales, CSA International, 178 Rexdale Boulevard, Etobicoke (Toronto), Ontario, M9W 1R3 Canada

Safety

- US: (NFGC) NFPA 54–1999/ANSI Z223.1 and the Installation Standards, Warm Air Heating and Air Conditioning Systems ANSI/NFPA 90B.
- CANADA: CAN/CGA-B149.1 and .2–M00 National Standard of Canada. (NSCNGPIC)

GENERAL INFORMATION

This single package gas heating / electric cooling unit is designed only for outdoor rooftop or ground level slab installations and can be readily connected to the high static duct system of a home. This unit has been tested for capacity and efficiency in accordance with AHRI standards and will provide many years of safe and dependable comfort, providing it is properly installed and maintained. With regular maintenance, this unit will operate satisfactorily year after year. Abuse, improper use, and/or improper maintenance can shorten the life of the appliance and create unsafe hazards.

To achieve optimum performance and minimize equipment failure, it is recommended that periodic maintenance be performed on this unit. The ability to properly perform maintenance on this equipment requires certain tools and mechanical skills.

Before you install this unit

- ✓ The cooling load of the area to be conditioned must be calculated and a system of the proper capacity selected. It is recommended that the area to be conditioned be completely insulated and vapor sealed.
- ✓ Check the electrical supply and verify the power supply is adequate for unit operation. Consideration should be given to availability of electric power, service access, noise, and shade. If there is any question concerning the power supply, contact the local power company.
- ✓ All units are securely packed at the time of shipment and upon arrival should be carefully inspected for damage prior to installing the equipment at the job site. Verify coil fins are straight. If necessary, comb fins to remove flattened or bent fins. Claims for damage (apparent or concealed) should be filed immediately with the carrier.
- ✓ Survey the job site to determine the best location for setting the unit. Choose an appropriate location that minimizes the length of the supply and return air ducts.
- ✓ Please consult your dealer for maintenance information and availability of maintenance contracts. Please read all instructions before installing the unit.

Locating the Equipment

- Clearance in accordance with local installation codes, the requirements of the gas supplier and the manufacturer's installation instructions.
- Dégaugement conforme aux codes d'installation locaux, aux exigences du fournisseur de gaz et aux instructions d'installation du fabricant.
- A clearance of at least 36 inches from the blower access panel and from the louvered control access panel is recommended for servicing and maintenance. **Where accessibility to combustibles clearances are greater than minimum clearances, accessibility clearances must take preference.**
- Select a solid, level position, preferably on a concrete slab, slightly above the grade level, and parallel to the home. **DO NOT PLACE UNIT UNDER THE HOME.**
- Overhead obstructions, poorly ventilated areas, and areas subject to accumulation of debris should be avoided. Do not place the unit in a confined space or recessed area where discharge air from the unit to re-circulate into the condenser air inlet, through the coil.

- Sufficient clearance for unobstructed airflow through the louvered control access panel and outdoor coil must be maintained in order to achieve rated performance. See [Figure 1](#) for minimum clearances to obstructions.
- The hot condenser air must be discharged up and away from the home, and if possible, in a direction with the prevailing wind.
- If practical, place the air conditioner and its ducts in an area where they will be shaded from the afternoon sun, when the heat load is greatest.

Heating Load

This unit should be sized to provide the design heating load requirement. Heating load estimates can be made using approved methods available from Air Conditioning Contractors of America (Manual J); American Society of Heating, Refrigerating, and Air Conditioning Engineers; or other approved engineering methods. For installations above 2,000 ft., the unit should have a sea level input rating large enough that it will meet the heating load after deration for altitude.

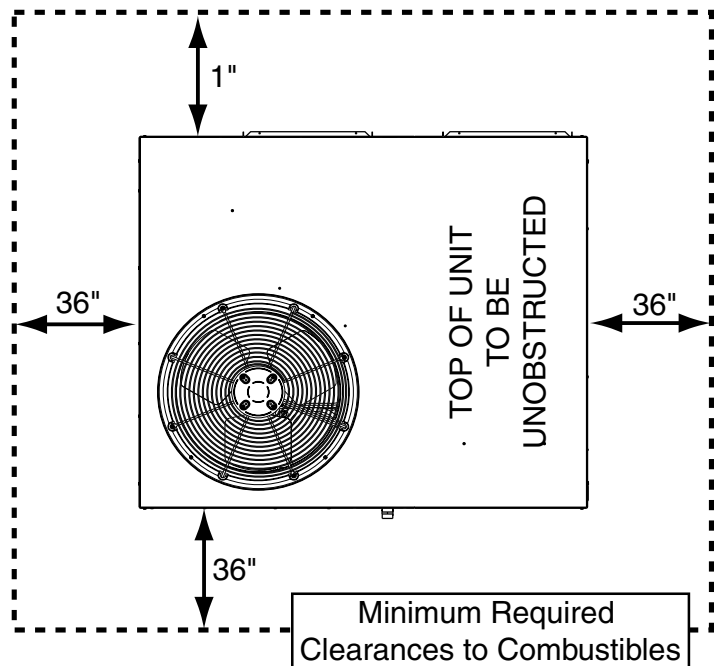


Figure 1. Clearance Requirements

COMBUSTION AIR & VENTING REQUIREMENTS

WARNING:

CARBON MONOXIDE POISONING HAZARD

Failure to follow the steps outlined below for each appliance connected to the venting system being placed into operation could result in carbon monoxide poisoning or death.

The following steps shall be followed with each individual appliance connected to the venting system being placed in operation, while all other appliances connected to the venting system are not in operation:

1. Seal any unused openings in the venting system.
2. Inspect the venting system for proper size and horizontal pitch, as required in the National Fuel Gas Code, ANSI Z223.1/NFPA 54 or the CSA B149.1, Natural Gas and Propane Installation Codes and these instructions. Determine that there is no blockage or restriction, leakage, corrosion and other deficiencies which could cause an unsafe condition.
3. As far as practical, close all building doors and windows and all doors between the space in which the appliance(s) connected to the venting system are located and other spaces of the building.
4. Close fireplace dampers.
5. Turn on clothes dryers and any appliance not connected to the venting system. Turn on any exhaust fans, such as range hoods and bathroom exhausts, so they are operating at maximum speed. Do not operate a summer exhaust fan.
6. Follow the lighting instructions. Place the appliance being inspected into operation. Adjust the thermostat so appliance is operating continuously.
7. Test for spillage from draft hood equipped appliances at the draft hood relief opening after 5 minutes of main burner operation. Use the flame of a match or candle.
8. If improper venting is observed during any of the above tests, the venting system must be corrected in accordance with the National Fuel Gas Code, ANSI Z223.1/NFPA 54 and/or CSA B149.1, Natural Gas and Propane Installation Codes.
9. After it has been determined that each appliance connected to the venting system properly vents when tested as outlined above, return doors, windows, exhaust fans, fireplace dampers and any other gas-fired burning appliance to their previous conditions of use.

AVERTISSEMENT:

RISQUE D'INTOXICATION AU MONOXYDE DE CARBONE

Si les étapes décrites ci-dessous ne sont pas suivies pour chacun des appareils raccordés au système de ventilation au moment de sa mise en marche, cela peut entraîner une intoxication au monoxyde de carbone ou la mort. Les étapes suivantes doivent être suivies pour chacun des appareils raccordés au système de ventilation au moment de sa mise en marche, alors que tous les autres appareils raccordés au système de ventilation ne sont pas en marche :

1. Sceller toutes les ouvertures inutilisées du système de ventilation.
2. Inspecter le système de ventilation afin de vérifier si la taille et l'inclinaison par rapport à l'horizontale sont conformes aux exigences du National Fuel Gas Code, ANSI Z223.1/NFPA 54 ou du Code d'installation du gaz naturel et du propane, CSA B149.1 et à ces instructions. Vérifier qu'il n'y a pas d'obstruction ou de restriction, de fuite, de corrosion et d'autres problèmes qui pourraient entraîner une situation dangereuse.
3. Si possible, fermer toutes les portes et fenêtres du bâtiment ainsi que toutes les portes séparant l'endroit où se trouvent les appareils raccordés au système de ventilation et les autres zones du bâtiment.
4. Fermer le registre des foyers.
5. Mettre les sècheuses en marche ainsi que tous les autres appareils qui ne sont pas raccordés au système de ventilation. Mettre en marche tous les ventilateurs de tirage, comme celui des hottes de cuisine et des salles de bains, et les régler à la puissance maximale. Ne pas mettre en marche les ventilateurs d'été.
6. Suivre les instructions d'allumage. Mettre en marche l'appareil soumis à l'inspection. Régler le thermostat de manière à ce que l'appareil fonctionne en continu.
7. Vérifier la présence de fuite au niveau de l'ouverture du coupe-tirage des appareils qui en sont dotés après 5 minutes de fonctionnement du brûleur principal. Utiliser la flamme d'une allumette ou d'une bougie.
8. Si un problème de ventilation est observé pendant l'un des essais décrits ci-dessus, des correctifs doivent être apportés au système de ventilation conformément au National Fuel Gas Code, ANSI Z223.1/NFPA 54 et (ou) au Code d'installation du gaz naturel et du propane, CSA B149.1.
9. Une fois qu'il a été déterminé que chaque appareil raccordé au système de ventilation fonctionne correctement au moyen des essais décrits ci-dessus, les portes, les fenêtres, les ventilateurs, les registres de foyer et tous les autres appareils de combustion alimentés au gaz doivent être remis dans leur état initial.

General Information

WARNING:

Installation methods other than those described in the following sections must comply with the National Fuel Gas Code and all applicable local codes for providing sufficient combustion air to the unit.

- Provisions must be made during the installation of this unit that provide an adequate supply of air for combustion.
- Instructions for determining the adequacy of an installation can be found in the current revision of the NFGC (ANSI Z223.1 /NFPA54). **Consult local codes for special requirements.** These requirements are for US installations as found in the NFGC.
- The requirements in Canada (B149.1) are structured differently. Consult with B149.1 and local code officials for Canadian installations.

WARNING:

Combustible air must not be drawn from a contaminated atmosphere. Excessive exposure to contaminated combustion air will result in safety and performance related problems.

- To maximize heat exchanger life, the combustion air must be free of chemicals that can form corrosive acidic compounds in the combustion gases. The recommended source of combustion air is to use clean air from outside. **DO NOT place any chemicals with flammable or caustic vapors or these other corrosive chemicals near the vent termination:**
 - Gasoline/Kerosene
 - Permanent wave solutions
 - Chlorinated waxes and cleaners
 - Chlorine based swimming pool chemicals
 - Water softening chemicals
 - De-icing salts or chemicals
 - Carbon tetrachloride
 - Halogen type refrigerants
 - Cleaning solvents
 - Cements, glues, paint removers, varnishes, etc.
 - Hydrochloric acid
 - Masonry acid washing materials
 - Plumbing Stack

Vent Termination

This unit has been equipped with an integral venting system and designed to operate only with this venting system. No additional venting shall be used. This unit must be vented to the outdoors.

WARNING:

This unit is intended for outdoor installation only. Do not vent the unit through a conventional venting system.

A vent cover assembly has been supplied with the unit. and can be found secured to the gas controls within the control area of this unit. **The vent cover assembly must be installed to assure proper operation of the unit.**

Figure 2 shows the proper installation of the vent cover assembly over the vent outlet on the exterior of the corner panel. The fasteners used to secure the vent cover assembly have been included in the owner's package. The following list summarizes the requirements for the location of the vent system termination:

- The location of the vent termination must be consistent with the National Fuel Gas Code (ANSI Z223.1) or CAN/CGA-B149 Installation Codes.
- The vent termination must be located at least 4 feet horizontally from any electric meters, gas meters, regulators, and relief equipment.
- The vent termination must be located at least 3 feet above any forced air inlet located within 10 feet.
- The vent termination must be located at least 4 feet below, 4 feet horizontally from, or 1 foot above any door, window, or gravity air inlet into any building.
- The vent termination must be located at least 1 foot above grade.
- The unit should be installed in a way that prevents any obstruction of the vent termination during accumulating snow.
- The unit installation shall avoid areas where condensate drainage may cause problems by dropping on planters or patios, etc. Also verify exhaust gases will not impinge on windows or building surfaces, which may be compromised or damaged by condensation.
- Do not install the unit such that exhaust from the vent termination is directed into window wells, stairwells, under decks, or in alcoves or similarly recessed areas. The vent termination must not be located above any public walkways.

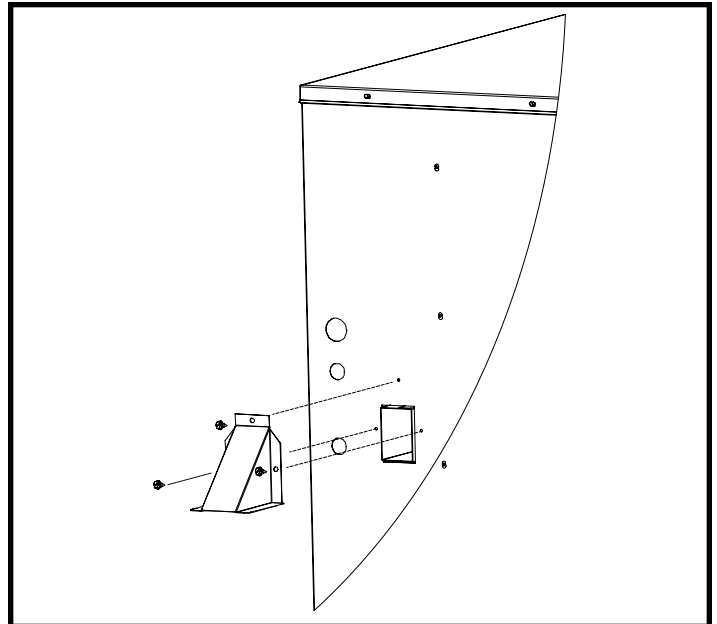


Figure 2. Vent Assembly

CIRCULATING AIR SUPPLY

WARNING:

Products of combustion must not be allowed to enter the return air ductwork or the circulating air supply. Failure to prevent products of combustion from being circulated into the living space can create potentially hazardous conditions including carbon monoxide poisoning that could result in personal injury or death.

All return ductwork must be adequately sealed, all joints must be taped, and the ductwork must be secured to the unit with sheet metal screws. When return air is provided through the bottom of the unit, the joint between the unit and the return air plenum must be air tight.

The roof curb or cement pad on which the unit is mounted must provide sound physical support of the unit with no gaps, cracks, or sagging between the unit and the curb or pad.

Return air and circulating air ductwork must not be connected to any other heat producing device such as a fireplace insert, stove, etc. Doing so may result in fire, explosion, carbon monoxide poisoning, personal injury, or property damage.

Air Ducts

This unit is designed only for use with a supply and return duct. Air ducts should be installed in accordance with the standards of the National Fire Protection Association "Standard for Installation of Air Conditioning Systems" (NFPA 90A), "Standard for Installation of Residence Type Warm Air Heating and Air Conditioning Systems" (NFPA 90B), and all applicable local codes. NFPA publications are available by

writing to: National Fire Protection Association, Batterymarch Park, Quincy, ME 02269 or visit www.NFPA.org on the web.

- Design the duct work according to Manual D by the Air Conditioning Contractors of America (ACCA).
- The ducts must be properly sized not to exceed 0.30 inches WC pressure drop per 100 feet of equivalent duct at 400 SCFM per nominal ton of cooling capacity.
- Duct work should be attached directly to the unit flanges for horizontal applications.
- If roof curb is installed, the ducts must be attached to the curb duct supports, not the unit.
- It is recommended that the outlet duct be provided with a removable access panel. The opening should be accessible when the unit is installed in service and shall be sized so that smoke or reflected light may be observed inside the casing to indicate the presence of leaks in the heat exchanger. The cover for the opening shall be attached in a way that will prevent leaks.
- If outside air is utilized as return air to the unit for ventilation or to improve indoor air quality, the system must be designed so that the return air to the unit is not less than 50° F (10° C) during heating operation.

Air Filter Requirements

WARNING:

Never operate the unit without a filter in place. Dust and lint could accumulate on internal parts, resulting in loss of efficiency, equipment damage and possible fire.

NOTE TO INSTALLER: After installing or replacing the filtration system for this unit, add the following statement on or adjacent to the filter service panel: **"Replace filter(s) installed in your system only with the same dimensional size filters that are being replaced."**

EXTERNAL FILTER SIZES			
NOMINAL COOLING (TONNAGE)	FILTER SIZE (IN. X IN.)	APPROXIMATE AIR FLOW RANGE (CFM)	APPROXIMATE FILTER AREA (SQ. IN.)*
2.0	20 x 25	600-900	450
2.5	20 x 30	750-1200	550
3.0	25 x 25	1100-1300	625
3.5	24 x 30	1200-1600	750
4.0	18 x 24 (2 required)	1400-1800	850
5.0	20 x 25 (2 required)	1700-2200	1000

INTERNAL FILTER SIZES				
CABINET HEIGHT	OUTDOOR FAN DIAMETER	FILTER SIZE (IN. X IN.)	APPROXIMATE AIR FLOW RANGE (CFM)	APPROXIMATE FILTER AREA (SQ. IN.)*
30"	20	(2) 14"x25"	700 - 1300	700
	24"	(1) 12"x20" and (1) 16"x25"		640
34"	20	(2) 16"x25"	900 - 1400	800
	24"	(1) 12"x20" and (2) 10"x25"		740
38"	20"	(2) 18"x25"	1100 - 1600	900
	24"	(1) 12"x20" and (2) 12"x25"		840
42"	20"	(2) 20"x25"	1300 - 1800	1000
	24"	(1) 12"x20" and (2) 14"x25"		940

* Based on velocity of 300 ft/min for disposable filters.

Table 1. Recommended External Air Filter Sizes

- A suitable air filter must be installed upstream of the evaporator coil of the return air system. Refer to [Table 1](#) for recommended external filter sizes.
- All return air must pass through the filters before entering the evaporator coil. It is important that all filters be kept clean and replaced frequently to ensure proper operation of unit. Dirty or clogged filters will reduce the efficiency of the unit and result in unit shutdowns.
- Air filter pressure drop must not exceed 0.08 inches WC.

Unconditioned Spaces

All duct work passing through unconditioned space must be properly insulated to minimize duct losses and prevent condensation. Use insulation with an outer vapor barrier. Refer to local codes for insulation material requirements.

Acoustical Duct Work

Certain installations may require the use of acoustical lining inside the supply duct work.

- Acoustical insulation must be in accordance with the current revision of the Sheet Metal and Air Conditioning Contractors National Association (SMACNA) application standard for duct liners.
- Duct lining must be UL classified batts or blankets with a fire hazard classification of FHC-25/50 or less.
- Fiber duct work may be used in place of internal duct liners if the fiber duct work is in accordance with the current revision of the SMACNA construction standard on fibrous glass ducts. Fibrous duct work and internal acoustical lining must be NFPA Class 1 air ducts when tested per UL Standard 181 for Class 1 ducts.

UNIT INSTALLATION

Packaging Removal

Remove the shipping carton and User's Manual from the equipment. For rooftop installations, remove and discard the two supports attached beneath the unit.

Rigging & Hoisting

WARNING:

To avoid the risk of property damage, personal injury, or death, it is the rigger's responsibility to ensure that whatever means are used to hoist the unit are safe and adequate:

- **The lifting equipment must be adequate for the load. Refer to [Table 6 \(page 20\)](#) for unit weights.**
- **The unit must be lifted from the holes in the base rails using cables or chains.**
- **Spreader bars are required to protect the unit and ensure even loading.**
- **Keep the unit in an upright position at all times. The rigging must be located outside the units center of gravity. Refer to [Figure 9 \(page 20\)](#) for locating the center of gravity.**
- **All panels must be securely in place during rigging and hoisting.**

Clearances to Combustible Materials

These units are certified as combination heating and cooling equipment for outdoor rooftop or ground level installations. Units may be installed on combustible flooring or Class A, B, or C roofing material when used with bottom supply and

return air ducts as long as the following requirements are met:

- If using bottom discharge with return air ducts a roof curb must be installed prior to unit installation. See Rigging and Hoisting section for setting of the unit.
- Sufficient clearance for unobstructed airflow through the outdoor coil must also be maintained in order to achieve rated performance. See [page 5](#) for information about locating the equipment.

Rooftop

Rooftop installations must be located according to local building codes or ordinances and these requirements:

- The roof must be capable of handling the weight of the unit. For unit weights, see [Table 6](#). Reinforce the roof if necessary.
- The appropriate accessory roof curb must be installed prior to unit installation. The roof curb must be square and level to ensure proper condensate drainage. **Please follow all instructions provided with the kit.** See [Figure 3 \(page 10\)](#).
- Secure roof curb or frame to roof using acceptable mechanical methods per local codes. **NOTE:** Make sure the two supports beneath the unit have been removed.

Ground Level

Ground level installations must be located according to local building codes or ordinances and these requirements:

- Clearances must be in accordance with those shown in [Figure 1 \(page 5\)](#).
- A suitable mounting pad must be provided and be separate from the building foundation. The pad must be level to ensure proper condensate disposal and strong enough to support the unit's weight. The slab height must be a minimum of 2" (5cm) above grade and with adequate drainage. See [Figure 4 \(page 10\)](#).
- Remove and discard the horizontal Supply and Return duct covers located on the rear of the unit. Form duct attachment flanges by bending the sheet metal outward 90 degrees along the perforated lines.
- Firmly attach ductwork directly to these flanges with screws or other approved mechanical connections and not to the Supply/Return air panels to avoid damage to internal components of the equipment. Once completed use approved duct sealing methods to ensure an air and watertight seal is achieved.

Horizontal to Downflow Conversion

The unit is shipped ready for horizontal duct connections. If down flow ducts are required, the unit must be converted following the steps below for both the supply and return ducts.

1. Remove the horizontal duct cap.
2. Locate the duct cap inside the duct openings and remove the screw holding it in place.
3. Lift the cap out of the unit. (**Hint:** The cap can be pushed up from the bottom by reaching through the fork slot).
4. Cover the horizontal duct opening with the horizontal duct cap. The insulation will be on the indoor side.
5. Fasten the cover with screws to seal.
6. Remove and discard the two wood supports beneath the unit.

Condensate Drain

Condensate is removed from the unit through the 3/4" female pipe fitting located on the front side of the unit. See [Figure 5 \(page 10\)](#).

Install a 2 inch condensate trap in the drain line of the same size and prime with water. When connecting rigid drain line, hold the female fitting with a wrench to prevent twisting. **Do not over tighten!** Refer to local codes and restrictions for proper condensate disposal requirements.

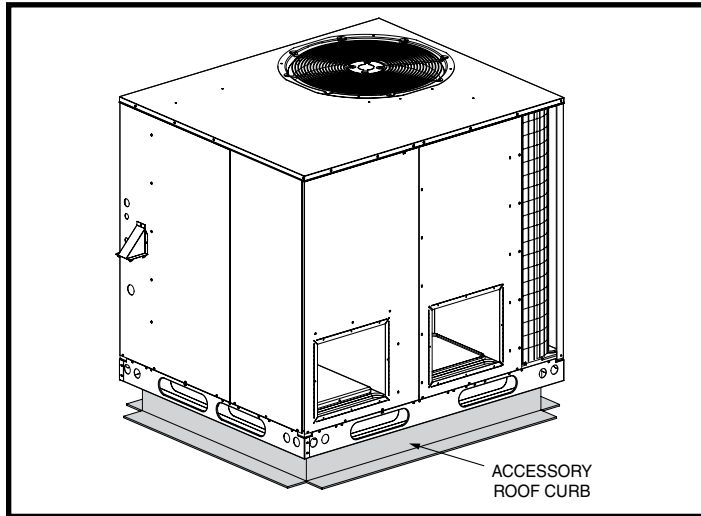


Figure 3. Roof Top Installation

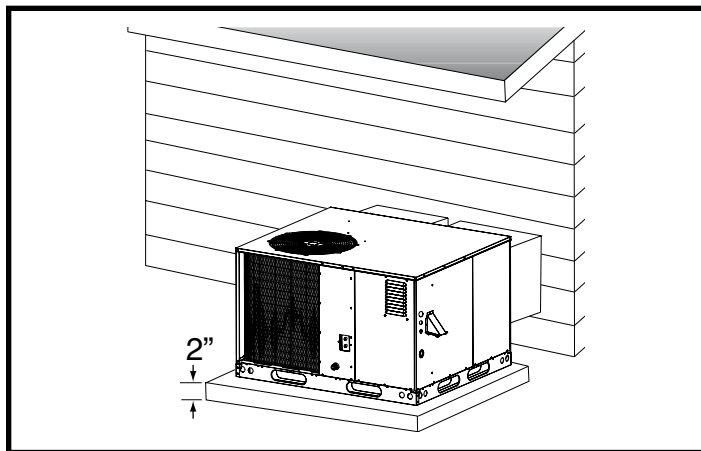


Figure 4. Ground Level Installation

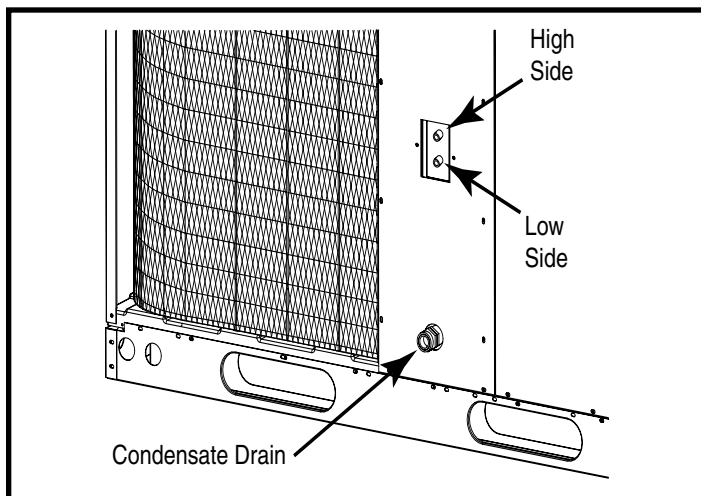


Figure 5. Refrigerant Service Ports & Condensate Drain Locations

ELECTRICAL WIRING

⚠ WARNING:

ELECTRICAL SHOCK, FIRE OR EXPLOSION HAZARD

Failure to follow safety warnings exactly could result in serious injury or property damage.

Improper servicing could result in dangerous operation, serious injury, death or property damage.

- Before servicing, disconnect all electrical power to furnace.
- When servicing controls, label all wires prior to disconnecting. Reconnect wires correctly.
- Verify proper operation after servicing.

⚠ AVERTISSEMENT:

RISQUE DE CHOC ÉLECTRIQUE, D'INCENDIE OU D'EXPLOSION

Le non-respect des avertissements de sécurité pourrait entraîner un fonctionnement dangereux de l'appareil, des blessures graves, la mort ou des dommages matériels.

Un entretien incorrect pourrait entraîner un fonctionnement dangereux de l'appareil, des blessures graves, la mort ou des dommages matériels

- Couper toute alimentation électrique au générateur d'air chaud avant de prodéder aux travaux d'entretien.
- Au moment de l'entretien des commandes, étiquetez tous les fils avant de les débrancher. S'assurer de les raccorder correctement.
- S'assurer que l'appareil fonctionne adéquatement après l'entretien.

- Electrical connections must be in compliance with all applicable local codes and ordinances, and with the current revision of the National Electric Code (ANSI/NFPA 70).
- For Canadian installations the electrical connections and grounding shall comply with the current Canadian Electrical Code (CSA C22.1 and/or local codes).

IMPORTANT NOTE:

If replacing any of the original wires supplied with the furnace, the replacement wire must be copper wiring having the same guage, voltage, and temperature rating.

Pre-Electrical Checklist

- ✓ Verify the voltage, frequency, and phase of the supply source match the specifications on the unit rating plate.
- ✓ Verify that the service provided by the utility is sufficient to handle the additional load imposed by this equipment. See [Table 2 \(page 11\)](#) and [Table 11 \(page 27\)](#) (or the unit rating label) for proper high voltage wiring requirements.
- ✓ Verify factory wiring is in accordance with the unit wiring diagram. See [Figure 11 \(page 26\)](#). Make sure the connections didn't loosen during shipping or installation.

Grounding

⚠ WARNING:

The unit cabinet must have an uninterrupted or unbroken electrical ground to minimize personal injury if an electrical fault should occur. Do not use gas piping as an electrical ground!

This unit must be electrically grounded in accordance with local codes or, in the absence of local codes, with the National Electrical Code (ANSI/NFPA 70) or the CSA C22.1 Electrical Code. Grounding of the unit is accomplished by using the grounding lug provided in the control box.

Line Voltage

- The line voltage to the unit should be supplied from a dedicated branch circuit containing the correct fuse or circuit breaker for the unit.
- **An electrical disconnect must be located within sight of and readily accessible to the unit.** This switch shall be capable of electrically de-energizing the outdoor unit. See unit data label for proper incoming field wiring. Any other wiring methods must be acceptable to authority having jurisdiction.
- Use only copper wire for the line voltage power supply to this unit as shown in [Table 2](#). Use proper code agency listed conduit and a conduit connector for connecting the supply wires to the unit. Use of rain tight conduit is recommended.
- Provide power supply for the unit in accordance with the unit wiring diagram and the unit rating plate.
- Overcurrent protection must be provided at the branch circuit distribution panel and sized as shown on the unit rating label and according to applicable local codes. See [Table 11](#) (or the unit rating plate) for minimum circuit ampacity and maximum overcurrent protection limits.

COPPER WIRE SIZE — AWG (1% VOLTAGE DROP)				
SUPPLY WIRE LENGTH-FEET				SUPPLY CIRCUIT AMPACITY
200	150	100	50	
6	8	10	14	15
4	6	8	12	20
4	6	8	10	25
4	4	6	10	30
3	4	6	8	35
3	4	6	8	40
2	3	4	6	45
2	3	4	6	50
2	3	4	6	55
1	2	3	4	60

NOTE: Wire Size based on N.E.C. for 60° type copper conductors.

Table 2. Copper Wire Size

- A wiring diagram is located on the inside cover of the control access panel of the outdoor unit. The installer should become familiar with the wiring diagram before making any electrical connections to the outdoor unit. See [Figure 11](#).
- Units are shipped from the factory wired for 240 volt transformer operation. For 208V operation, remove the lead from the transformer terminal marked 240V and connect it to the terminal marked 208V.
- Connect the line-voltage leads to the terminals on the contactor inside the control compartment.

Thermostat / Low Voltage Connections

- This unit is designed to operate from a 24 VAC Class II control circuit. A single stage cooling / single stage heating thermostat should be used with this unit. A 2-stage cooling / 2-stage heating thermostat is recommended for economizer operation. See [Figure 6 \(page 11\)](#) for typical thermostat connection.
- The control circuit wiring must comply with the current provisions of the NEC (ANSI/NFPA 70) and with applicable local codes having jurisdiction. Thermostat connections should be made in accordance with the instructions supplied with the thermostat and the indoor equipment.
- The low voltage wires must be properly connected. Route 24V control wires through the sealing grommet near the power entrance.
- Several thermostat options are available depending on the accessories installed with the unit. Select a thermostat that operates in conjunction with the installed accessories.
- The thermostat should be mounted about 5 feet above the floor on an inside wall. DO NOT install the thermostat on an outside wall or any other location where its operation may be adversely affected by radiant heat from fireplaces, sunlight, or lighting fixtures, and convective heat from warm air registers or electrical appliances. Refer to the thermostat manufacturer's instruction sheet for detailed mounting information.

Checking Heat Anticipator Settings

- Add the current draw of the system heating components.
OR
- Measure the current flow on the thermostat **R-W** circuit after the circulating blower motor has started. Set the heat anticipator according to the thermostat manufacturer's instructions for heat anticipator settings.

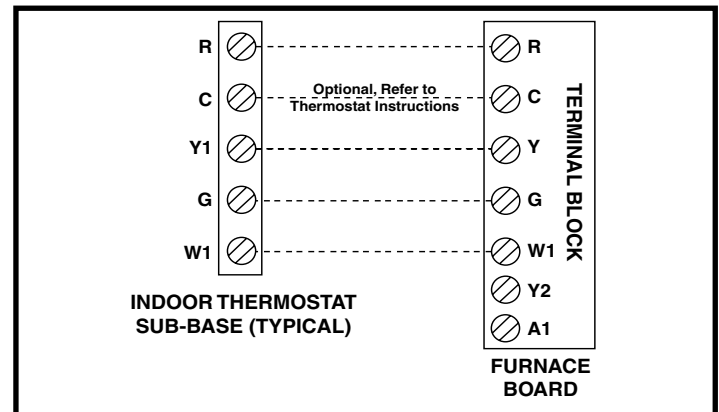


Figure 6. Typical Thermostat Connection (Field Supplied) for 1-Stage Cool / 1-Stage Heat

Blower Speed

The blower speed is preset at the factory for fan only, heating, and cooling operation. These factory settings are listed in [Table 7 \(page 21\)](#) and [Table 8 \(page 23\)](#). For optimum system performance and comfort, it may be necessary to change the factory set speed.

CAUTION:

To avoid personal injury or property damage, make sure the motor leads do not come into contact with any uninsulated metal components of the unit.

5-Speed ECM Motor

1. Shut off all electrical power to the unit and remove the blower panel. Locate the orange, red and blue wires terminated to the blower motor. **NOTE:** The orange wire controls cooling operation while the red wire controls heating operation. The blue wire controls fan-only operation.
2. Verify the required speed from the airflow data found in [Table 7](#) or [Table 8](#). Place appropriate wire on the correct motor speed tap for the required airflow point.
3. The integrated furnace control can be set to a 2 or 3 speed mode by using a jumper.

NOTE 1: When a **G** only call is received from the thermostat (indicating a continuous fan mode), the blower will run the HEAT tap speed when the **2-SPD** mode is selected using the jumper on the control board (factory setting). If no jumper is present, the control resorts to the 2-SPD selection.

NOTE 2: When **3-SPD** mode is selected, the FAN speed is energized. A call for heating or cooling takes priority over fan only mode.

Optional Furnace Control Board Connections

Electronic Air Cleaner

The furnace control board provides output terminals for an optional electronic air cleaner (EAC) that can be installed in the return air duct of your system. THE EAC output is energized any time the HEAT or COOL blower speed is energized. Control ratings are 1.0 Amp. @ 240 VAC. Output connections are made via board terminals labeled EAC and NEUTRAL.

Humidifier

The furnace control board provides output terminals for an optional humidifier (HUM) that can be installed on your system. The HUM output is energized any time the furnace inducer motor is energized. Control ratings are 1.0 Amp. @ 240 VAC. Output connections are made via board terminals labeled HUM and NEUTRAL.

Check all factory wiring to the units wiring diagram. Inspect the factory wiring connections to be sure none loosened during shipping or installation.

GAS SUPPLY & PIPING

WARNING:

FIRE OR EXPLOSION HAZARD

- Failure to follow safety warnings exactly could result in serious injury or property damage.
- Installation and service must be performed by a qualified installer, service agency or the gas supplier.
- Do not store or use gasoline or other flammable vapors and liquids in the vicinity of this or any other appliance.

WHAT TO DO IF YOU SMELL GAS

- Do not try to light any appliance.
- Do not touch any electrical switch; do not use any phone in your building.
- Leave the building immediately.
- Immediately call your gas supplier from a neighbor's phone. Follow the gas supplier's instructions.
- If you cannot reach your gas supplier, call the fire department.

AVERTISSEMENT:

RISQUE D'INCENDIE OU D'EXPLOSION

- Le non-respect des avertissements de sécurité pourrait entraîner des blessures graves, la mort ou des dommages matériels.
- L'installation et l'entretien doivent être effectués par un installateur qualifié, un organisme de service ou le fournisseur de gazstaller, service agency or the gas supplier.
- Ne pas entreposer ni utiliser de l'essence ni d'autres vapeurs ou liquides inflammables dans le voisinage de cet appareil, ni de tout autre appareil.

QUE FAIRE S'IL Y A UNE ODEUR DE GAZ

- Ne pas tenter d'allumer aucun appareil.
- Ne toucher à aucun interrupteur électrique; n'utiliser aucun téléphone dans le bâtiment.
- Évacuer l'immeuble immédiatement.
- Appeler immédiatement le fournisseur de gaz en employant le téléphone d'un voisin. Respecter à la lettre les instructions du fournisseur de gaz.
- Si personne ne répond, appeler le service des incendies.


- All gas piping must be installed in compliance with local codes and utility regulations. In the absence of local codes the gas line installation must comply with the latest edition of the National Fuel Gas Code ANSI Z223.1 or CAN/CGA B149 Installation Codes.
- Some local codes require the installation of a manual main shut-off valve and ground joint union external to the unit. The shut-off valve should be readily accessible for service and/or emergency use. Consult the local utility or gas supplier for additional requirements regarding placement of the manual main gas shut-off. See [Figure 7 \(page 14\)](#).
- The manifold pressure must be set to the appropriate value for your installation. Refer to the Manifold Pressure Adjustment section ([page 16](#)) for adjustment instructions.

- Gas piping must never run in or through air ducts, chimneys, gas vents, or elevator shafts.
- Compounds used to seal joints on gas piping must be resistant to the actions of LP propane gas.
- The main gas shutoff valve and main power disconnect to the unit must be properly labeled by the installer in case emergency shutdown is required.
- An 1/8 inch NPT plugged tap must be installed in the gas line immediately upstream of the gas supply connection to the unit for use when measuring the gas supply pressure. The plug should be readily accessible for service use.
- A drip leg should be installed in the vertical pipe run to the unit. See Figure 7.

This unit only has right side gas entry. When connecting the gas, provide clearance between the gas supply line and the entry hole in the unit's casing to avoid unwanted noise and/or damage to the unit. A typical gas service hookup is shown in Figure 7.

Table 9 (page 24) lists gas pipe capacities for standard pipe sizes as a function of length in typical applications based on nominal pressure drop in the line.

Leak Check

 WARNING:
FIRE OR EXPLOSION HAZARD
Failure to follow safety warnings exactly could result in serious injury or property damage.
Never test for gas leaks with an open flame. Use a commercially available soap solution made specifically for the detection of leaks to check all connections. A fire or explosion may result causing property damage, personal injury or loss of life.

 AVERTISSEMENT:
RISQUE D'INCENDIE OU D'EXPLOSION
Si les consignes de sécurité ne sont pas suivies à la lettre, cela peut entraîner la mort, de graves blessures ou des dommages matériels.
Ne jamais vérifier la présence de fuites de gaz au moyen d'une flamme nue. Vérifier tous les raccords en utilisant une solution savonneuse commerciale conçue spécialement pour la détection de fuites. Un incendie ou une explosion risque de se produire, ce qui peut entraîner la mort, des blessures ou des dommages matériels.

After the gas piping to the unit is complete, all connections must be tested for gas leaks. This includes pipe connections at the main gas valve, emergency shutoff valve and other gas connectors. A soap and water solution can be applied on each joint or union using a small paintbrush. If any bubbling is observed, the connection is not sealed adequately and must be retightened. Repeat the tightening and soap check process until bubbling ceases.

- If pressure testing the gas supply lines at pressures greater than 1/2 psig (14 inches WC), the unit must be disconnected from the gas supply piping system to prevent damage to the gas valve.
- If the test pressure is less than or equal to 1/2 psig (14 inches WC), the unit must be isolated from the gas supply line by closing the manual shut-off valve.

High Altitude Conversion - Natural Gas

Conversion of this unit must be performed by qualified service personnel, using only approved parts. All installations must be made in accordance with the National Fuel Gas Code and/or local jurisdiction codes.

WARNING:

The reduction of input rating necessary for high altitude installation may only be accomplished with factory supplied orifices. Do not attempt to drill out orifices in the field. Improperly drilled orifices may cause fire, explosion, carbon monoxide poisoning, personal injury or death.

High altitude conversion can be field performed by a simple adjustment of manifold pressure or a change of the orifices (if necessary) as described on page 15. The changes required depend on the installation altitude and the heating value of the gas (based on sea level) which can be obtained from your local gas utility. The heating value of gas at high altitude is always lower than the sea level heating value. Natural Gas heating values listed in Table 3 (page 15) are based on sea level values.

For altitudes between 5,000 and 10,000 feet above sea level, the unit can be converted by changing the orifice and adjusting the furnace manifold pressure. See Table 3 for the correct orifice and manifold pressure settings. NOTE: Each unit has specific orifices.

NOTE: If installing this unit above 2,000 feet, the input rate must be reduced 4% per 1,000 feet of altitude (Example: 12% at 3,000 feet, 16% at 4,000 feet, etc). Deration is necessary to compensate for low atmospheric pressure at high altitudes.

LP / Propane Gas Conversion

WARNING:

This unit was equipped at the factory for use with natural gas only. A special kit, supplied by the manufacturer, is required to convert the unit to operate on LP/propane gas. Failure to use the proper conversion kit can cause fire, explosion, property damage, carbon monoxide poisoning, personal injury, or death.

IMPORTANT NOTE: When converting a low NOx unit from natural gas to propane (LP) gas, it is necessary to remove the NOx baffles.

Conversion of this equipment to LP/Propane gas must be made by qualified service personnel, using approved factory parts. Conversion to LP can be accomplished by replacing the natural gas orifices with the appropriate LP/Propane orifices and then adjusting the manifold pressure (page 16). Conversion to LP/Propane (sea level and high altitude) is detailed in the installation instructions provided with the

conversion kit. **Please follow the instructions provided in each kit.** Approved conversion kits are listed below:

- The United States LP/Propane Gas Sea Level and High Altitude Conversion Kit (P/N 904404A) is for LP/propane conversion in the United States at altitudes between zero and 10,000 ft. above sea level.
- The Canadian LP/Propane Gas Sea Level and High Altitude Conversion Kit (P/N 904405A) is for LP/propane conversions in Canada at altitudes between zero and 4,500 ft. above sea level.

For installations between zero and 3,999 ft. above sea level, a #54 drill size orifice should be used. Installations 4,080 ft. above sea level require a # 55 drill size orifice. [Table 4 \(page 15\)](#) lists the correct orifice size to use at different altitudes.

After changing the orifices, it is required that you measure the gas input rate by clocking the gas meter and using the local gas heating value. See [Verifying & Adjusting the Firing Rate](#) section on [page 15](#).

START UP & ADJUSTMENTS

Pre-Start Check List

- ✓ Verify the unit is level and allows condensate to drain.
- ✓ Verify all clearance requirements are met and there is free airflow to and from the outdoor coil.
- ✓ Verify that the duct work is sealed to prevent air leakage and air filter is installed.
- ✓ Verify that the line voltage power leads are securely connected and the unit is properly grounded.
- ✓ Verify that the low voltage wires are securely connected to the correct terminals in the low voltage area of the control box.
- ✓ Verify that the gas line service pressure does not exceed 10.0 inches WC (0.36 psig), and is not less than 4.5 inches WC (0.16 psig) for natural gas. For LP gas the line service pressure must not exceed 14 inches WC (0.51 psig) and must not be less than 11.0 inches WC (0.40 psig).

- ✓ Verify that the flame roll-out control is closed. If necessary, press the red button to reset the control. **DO NOT** install a jumper wire across the control to defeat its function. If the control reopens upon start-up, **DO NOT** reset the control without identifying and correcting the fault condition which caused the control to trip.
- ✓ Verify that the gas line has been purged and all connections are leak tight.
- ✓ Verify that all exterior panels are replaced and securely fastened.
- ✓ Verify that the outdoor fan turns freely.
- ✓ Verify that the power supply branch circuit overcurrent protection is sized properly.
- ✓ Verify that the thermostat is wired correctly. The thermostat function switch should be set to OFF and the thermostat fan switch should be set to AUTO.

Start-Up Procedure

WARNING:

If this unit is equipped with crankcase heaters, allow 24 hrs for heating of the refrigerant compressor crankcase prior to start up or anytime the power has been removed for more than 12 hrs. Failure to comply may result in damage or cause premature failure of the system.

Air Circulation

Leave the thermostat system mode on OFF, and set the fan mode to ON. Blower should run continuously. Check the air delivery at the supply registers and adjust register openings for balanced air distribution. Examine ductwork for leaks or obstruction if insufficient air is detected. Set the thermostat fan mode to AUTO. The blower should stop running.

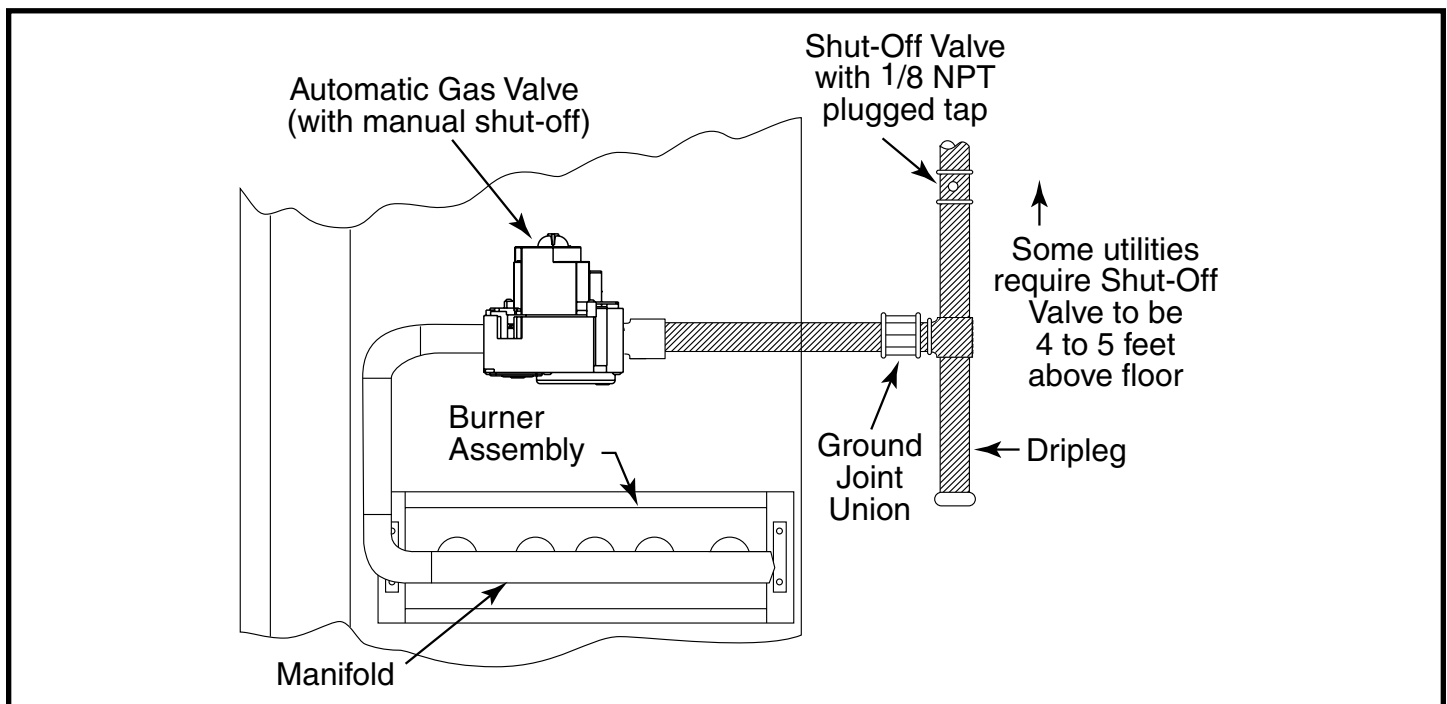


Figure 7. Typical Gas Hookup - Right Side Entry

MANIFOLD PRESSURE (IN W.C.) FOR NATURAL GAS INSTALLATIONS				
ALTITUDE ABOVE SEA LEVEL	HEATING VALUE BTU/CU. FT			ORIFICE SIZE
	800 TO 899 FT	900 TO 999 FT	1,000 TO 1,100 FT	
Zero to 1,999 Ft.	3.5	3.5	3.5	43
2,000 to 2,999 Ft.	3.2	3.2	3.2	43
3,000 to 3,999 Ft.	2.9	2.9	2.9	43
4,000 to 4,999 Ft.	2.7	2.7	2.7	43
5,000 to 5,999 Ft.	3.5	3.5	3.5	46
6,000 to 6,999 Ft.	3.2	3.2	3.2	46
7,000 to 7,999 Ft.	3.0	3.0	3.0	46
8,000 to 8,999 Ft.	2.8	2.8	2.8	46
9,000 to 10,000 Ft.	2.6	2.6	2.6	46

**Table 3. Manifold Pressure Setting (in WC)
for Natural Gas**

MANIFOLD PRESSURE (IN W.C.) AND ORIFICES FOR LP/PROPANE GAS INSTALLATIONS		
ALTITUDE ABOVE SEA LEVEL	MANIFOLD PRESSURE	ORIFICE SIZE
Zero to 1,999 Ft.	10	54
2,000 to 2,999 Ft.	9.2	54
3,000 to 3,999 Ft.	8.5	54
4,000 to 4,999 Ft.	9.8	55
5,000 to 5,999 Ft.	9	55
6,000 to 6,999 Ft.	8.2	55
7,000 to 7,999 Ft.	8	55
8,000 to 8,999 Ft.	10	56
9,000 to 10,000 Ft.	9	56

**Table 4. Manifold Pressure Setting (in WC)
& Orifice Size for LP Gas**

System Cooling

1. Set the thermostat's system mode to COOL and the fan mode to AUTO. Gradually lower the thermostat temperature setpoint below room temperature and verify the compressor, fan and indoor blower energize.
2. Feel the air being circulated by the indoor blower and verify that it is cooler than ambient temperature. Listen for any unusual noises. If unusual sounds occur, determine the source of the noise and correct as necessary.
3. Allow the cooling system to operate for several minutes and then set the temperature selector above room temperature. Verify the fan and compressor cycle off with the thermostat.
NOTE: The blower will also stop after a 40 second delay.

System Heating

1. Set the thermostat to the lowest setting.
2. Follow the procedures given on the operating instruction label, this manual or attached inside the louvered control access panel.
3. Set the thermostat above room temperature and verify the Operating Sequence. See [page 16](#).
4. Verify that the compressor and outdoor fan motor are not energized.
5. After the unit has run for approximately five minutes, set the thermostat below room temperature and verify the shutdown sequence; steps 10, 11, & 12 in the Operating Sequence section on [page 17](#).

Verifying & Adjusting Temperature Rise

Verify the temperature rise through the unit is within the range specified on the unit data label. Temperature rises outside the specified range could result in premature heat exchanger failure.

1. Place thermometers in the return and supply air stream as close to the unit as possible. The thermometer on the supply air side must be shielded against direct radiation from the heat exchanger to avoid false readings.
2. Adjust all registers and duct dampers to the desired position. Run the unit for 10 to 15 minutes before taking any temperature readings. The temperature rise is the difference between the supply and return air temperatures.

NOTE: For typical duct systems, the temperature rise will fall within the range specified on the data label (with the blower speed at the factory recommended setting) shown in [Table 7 \(page 21\)](#) or [Table 8 \(page 23\)](#). If the measured temperature rise falls outside the specified range, it may be necessary to change the blower speed. Lowering the blower speed increases the temperature rise and a higher speed decreases the temperature rise.

The unit is equipped with a multi speed motor. On units with ECM type motors, speed selection is made by moving the leads on the blower motor terminal block. The speed taps for adjusting the motor speed are shown in [Table 7 \(page 21\)](#) or [Table 8 \(page 23\)](#). Refer to the Blower Speed section ([page 12](#)) for additional information.

The integrated control starts the circulating air blower 30 seconds after the gas valve is opened. The control is factory wired to turn the blower motor off 90 - 135 seconds after the gas valve is closed.

ECM Motors: The heating blower off delay is factory set at 90 seconds. An additional 45 second off delay is programmed into the ECM blower motor for a total of 135 seconds.

Verifying & Adjusting Firing Rate

CAUTION:

Do not re-drill the burner orifices. If the orifice size must be changed, use only new orifices.

The firing rate must be verified for each installation to prevent over-firing of the unit. **The firing rate must not exceed the rate shown on the unit data label.** To determine the firing rate, follow the steps below:

1. Obtain the gas heating value (HHV) from the gas supplier.
2. Shut off all other gas fired appliances.
3. Start the unit in heating mode and allow it to run for at least 3 minutes.
4. Measure the time (in seconds) required for the gas meter to complete one revolution.
5. Convert the time per revolution to cubic feet of gas per hour using [Table 10 \(page 24\)](#).

- Multiply the gas flow rate in cubic feet per hour by the heating value of the gas in Btu per cubic foot to obtain the firing rate in Btu per hour. See Example.

Example:

- Time for 1 revolution of a gas meter with a 1 cubic foot dial = 40 seconds.
- From Table 10, read 90 cubic feet gas per hour.
- Local heating value of the gas (obtained from gas supplier) = 1,040 Btu per cubic foot.
- Input rate = 1,040 x 90 = 93,600 Btuh.

- Adjust the manifold pressure if necessary. See Manifold Pressure Adjustment below. For additional information about elevations above 2,000 feet, see page 13.

Manifold Pressure Adjustment

The manifold pressure must be set to the appropriate value for your installation. To adjust the manifold pressure:

- Obtain the required manifold pressure setting using Table 3 (page 15) for natural gas or Table 4 for LP/propane gas.

NOTE: The values listed in the tables are based on sea level values. At higher altitudes, the heating value of gas is lower than the sea level heating value.

- Remove the regulator capscrew (Figure 8) from the INLET side of the regulator.
- Slowly turn the adjustment screw inside the regulator to obtain the appropriate manifold pressure.

NOTE: Turning the screw clockwise increases the pressure and turning the screw counter-clockwise decreases the pressure. To prevent backing the screw all the way out from the valve, turn the screw slowly.

- Replace and tighten the regulator capscrew over the adjustment screw.

Verifying Over-Temperature Limit Control Operation

- Verify the louvered control access panel is in place and that there is power to the unit.
- Block the return airflow to the unit by installing a close-off plate in place of or upstream of the filter.
- Set the thermostat above room temperature and verify the units operating sequence on page 16.

NOTE: The over-temperature limit control should turn off the gas valve within approximately four minutes (exact time depends on the efficiency of the close-off when blocking the return air). The circulating air and combustion blowers should continue to run when the over-temperature limit control switch opens.

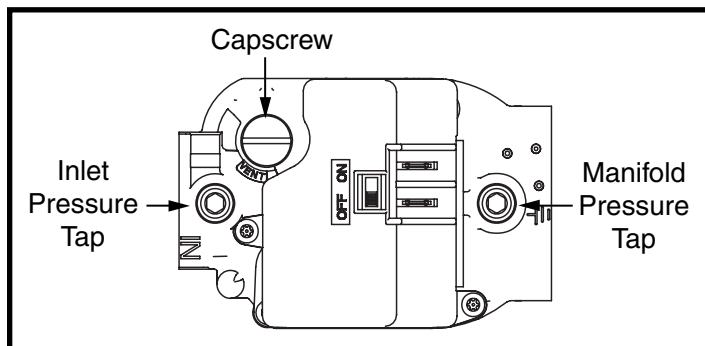


Figure 8. Regulator Capscrew & Tap Locations

- Remove the close-off plate immediately after the over-temperature limit control opens. If the unit operates for more than four minutes with no return air, set the thermostat below room temperature, shut off power to the unit, and replace the over-temperature limit control.

Verifying Burner Operation

WARNING:

Uninsulated live components are exposed when louvered control access panel is removed.

- Remove the louvered control access panel and verify there is power to the unit.
- Set thermostat above room temperature and observe the ignition sequence. **NOTE:** The burner flame should carry over immediately between all burners without lifting off, curling, or floating. The flames should be blue, without yellow tips. Make sure the flame is drawn into the center of the heat exchanger tube. In a properly adjusted burner assembly, the flame bends down and to the right at the end of the heat exchanger tube. The end of the flame will be out of sight around the bend.
- After validating flame characteristics, set the thermostat below room temperature and verify the burner flame extinguishes completely.

OPERATING SEQUENCE

The operating sequences for the heating, cooling, and fan modes are described below. Refer to the field and unit wiring diagram. See Figure 11 (page 26).

Heating Mode

- On a call for heat, the thermostat closes and applies 24 VAC to the W terminal of the control board.
- The control board checks for continuity on the 24 VAC limit control circuit through the over-temperature limit switch and flame rollout switch in series. If an open limit is detected, the control board will energize the inducer blower. All other system functions will be inoperable until the limit circuit closes. While the limit is open, the red LED will pulse at a rate of 1 blink per unit time.
- The furnace control checks for continuity (24 VAC) across the pressure switch. If the pressure switch is closed, the heat mode sequence will not continue. If it remains closed for 10 seconds, the red LED will flash 3 times repetitively until the fault condition clears.
- The inducer energizes (if pressure switch is open).
- The pressure switch will close. If the pressure switch does not close after 10 seconds, the fault LED will flash 2 times and the inducer will continue to run until the switch is closed.
- The inducer will pre-purge for 30 seconds and then the igniter will start its warm-up as follows:

Initial Power up: After 30 seconds of igniter warm-up, the gas valves (24 VAC) will open. The igniter circuit will stay energized for 3 seconds after the gas valve opens.

After Initial Power up: The control has a programmed adaptive ignition feature which varies the warm-up period as follows: If ignition is successful the warm-up is reduced by 3 seconds on each subsequent call for heat until ignition failure occurs. Upon ignition failure, the warm-up is increased by 3 seconds on the next try. If successful, the timing remains fixed at

this level. In general, whenever ignition failure occurs the warm-up interval is increased by 3 seconds on the next try. And if successful, it remains there. Minimum and maximum warm-up time limits are set at 9 and 54 seconds.

7. The furnace control must prove flame via the flame sensor 5 seconds after the gas valves open. If flame is sensed, burners are on and the igniter cools off. If no flame is sensed, the gas valve closes immediately and the inducer continues to run. A second trial for ignition (step 6) begins. If no flame is sensed on the fifth try for ignition, the furnace control is locked and the red LED will blink 4 times repetitively. The thermostat must be opened for at least ten seconds to reset the furnace control after a lock out. Otherwise, the furnace will attempt another ignition sequence in 1 hour.
8. After the gas valve opens (30 seconds), the blower will ramp to the selected airflow and continues to run.
9. When the thermostat has been satisfied, the **W** terminal on the integrated control is de-energized.
10. The gas valve circuit is de-energized and the gas valve closes.
11. The inducer motor will continue to run for the post purge period of 25 seconds.
12. The main blower will continue to run for the BLOWER OFF delay of 90 - 135 seconds.
13. After the BLOWER OFF timer has been satisfied, the integrated control de-energizes the main circulating blower circuit.

Cooling Mode

1. On a call for cooling, the thermostat closes applying 24 VAC to the **G & Y** terminals on the low voltage terminal strip.
2. The **G** terminal applies 24VAC to the **ECM COOL** terminal of the integrated control, energizing the main circulating blower circuit at the cooling speed.
3. The **Y** terminal applies 24VAC to the contactor.
4. When the thermostat is satisfied, the contactor and integrated control de-energize. Compressor and outdoor fan will stop running.
5. The circulating blower motor de-energizes after a 45 second delay.

Fan Mode

1. On a call for fan only operation, the thermostat applies 24 VAC to the **ECM** fan terminal to energize the blower motor on Tap 1 speed.

NOTE: If a call for heat occurs, the circulating blower de-energizes prior to normal heating cycle.

EQUIPMENT MAINTENANCE

WARNING:

ELECTRICAL SHOCK, FIRE OR EXPLOSION HAZARD

Failure to follow safety warnings exactly could result in serious injury or property damage.

Improper servicing could result in dangerous operation, serious injury, death or property damage.

- Before servicing, disconnect all electrical power to furnace.
- When servicing controls, label all wires prior to disconnecting. Reconnect wires correctly.
- Verify proper operation after servicing.

AVERTISSEMENT:

RISQUE D'ÉLECTROCUTION, D'INCENDIE OU D'EXPLOSION

Si les consignes de sécurité ne sont pas suivies à la lettre, cela peut entraîner la mort, de graves blessures, un fonctionnement dangereux ou des dommages matériels.

Un entretien inadéquat peut entraîner la mort, de graves blessures, un fonctionnement dangereux ou des dommages matériels.

- Avant de faire l'entretien de l'appareil de chauffage, le débrancher de l'alimentation électrique.
- Avant l'entretien des commandes, étiqueter tous les fils avant de les déconnecter. Rebrancher correctement les fils.
- Vérifier que l'appareil fonctionne correctement après l'entretien.

CAUTION:

Use care when removing parts from this unit. Personal injury can result from sharp metal edges present in all equipment of sheet metal construction.

Proper maintenance is important to achieve optimum performance from the system. The ability to properly perform maintenance on this equipment requires certain mechanical skills and tools. If you do not possess these skills, contact your dealer for maintenance. Consult your local dealer about the availability of maintenance contracts. Routine maintenance should include the following:

⚠ CAUTION:

The unit should never be operated without a filter in the return air system. Replace disposable filters with the same type and size.

- Inspect, clean or replace air filters at the beginning of each heating and cooling season, or more frequently if required. Refer to [Table 1 \(page 8\)](#) for recommended external filter sizes
- Inspect the condensate drain and outdoor coil at the beginning of each cooling season. Remove any debris. Clean the outdoor coil and louvers as necessary using a mild detergent and water. Rinse thoroughly with water.
- Inspect the electrical connections for tightness at the beginning of each heating and cooling season.
- The blower compartment should be cleaned monthly during the heating and cooling seasons to remove any dirt and lint that may have accumulated in the compartment or on the blower and motor. Buildup of dirt and lint on the blower and motor can create excessive loads on the motor resulting in higher than normal operating temperatures and possible shortened service life.
- Maintain heat exchanger and burners. The unit should operate for many years without excessive scale buildup in the heat exchanger, however, the heat exchanger, the vent system, and the burners should be inspected and cleaned (if required) by a qualified serviceman annually to ensure continued safe operation. Particular attention must be given to identify deterioration from corrosion or other sources.
- The motors for the circulating air blower, outdoor fan, and combustion blower are pre-lubricated at the factory. No further oiling is required for the life of this product.
- Inspect and clean the screen of the vent cover assembly at the beginning of each heating and cooling season.

Cleaning of Heat Exchanger

⚠ WARNING:

Holes in the heat exchanger can cause products of combustion to enter the home. Replace the heat exchanger if leaks are found. Failure to prevent products of combustion from being circulated into the living space can create potentially hazardous conditions including carbon monoxide poisoning that could result in personal injury or death.

If the heat exchanger must be cleaned due to soot or scale build up, follow the steps below.

1. Shut off the gas supply to the unit at the meter or at the manual valve in the gas supply piping.
2. Turn off all power to the unit and set the thermostat to the lowest temperature setting.
3. Remove the louvered access panel from the unit.
4. Turn the gas control knob (gas valve) to the OFF position. See [Figure 10 \(page 25\)](#) for gas valve shut off instructions.
5. Disconnect the wires from the gas valve, ignitor, flame sensor, combustion air motor, flame roll-out control, over-temperature limit switch, and pressure switch.
6. Remove the silicone rubber tube from the collector pan to the pressure switch.

7. Remove 4 nuts securing the combustion blower to the collector pan. Remove the combustion blower.
 8. Remove all screws securing the collector pan to the unit. Remove the collector pan from the unit.
-

⚠ CAUTION:

To prevent damage to the unit or internal components, it is recommended that two wrenches be used when loosening or tightening nuts. Do not over tighten!

9. Using 2 wrenches, separate the ground-joint union in the gas supply piping at the unit.
10. Remove the piping between the gas valve and the ground-joint union, if necessary.
11. Remove the screws that secure the burner assembly in place and the burner assembly. **BE EXTREMELY CAREFUL NOT TO DAMAGE THE IGNITOR WHILE REMOVING THE BURNER ASSEMBLY.**
12. Attach a round wire brush to a length of high grade stainless steel cable, such as drain clean-out cable. Attach the other end of the spring cable to a variable speed reversible drill. Slowly insert and rotate the cable into the top portion of the heat exchanger. Operate the drill alternating between forward and reverse, working the cable in and out several times to obtain sufficient cleaning. Repeat this process at each exchanger tube.
13. Remove all loosened debris from the heat exchanger tubes using high pressure air and vacuum cleaner.
14. Using a light, check the condition of the upper and lower sections of the heat exchanger tube.
15. Inspect the burners and if necessary, clean them carefully with a soft wire brush and/or the nozzle of a vacuum cleaner. **DO NOT DAMAGE THE IGNITOR OR FLAME SENSOR WHILE CLEANING THE BURNER.**
16. Replace all the parts in reverse order from which they were removed.
17. Follow the operating instructions found on the right side door and the User's Information Manual to return the unit to operation.

Cleaning of Burners

If the burners must be cleaned, follow the steps below.

1. Shut off the gas supply to the unit either at the meter or at a manual valve in the supply piping.
 2. Turn off all power to the unit and set the thermostat to the lowest temperature setting.
 3. Remove the louvered control access panel from the unit.
 4. Turn the gas control knob to the OFF position. See [Figure 10 \(page 25\)](#) for gas valve shut off instructions.
 5. Disconnect the wires from the gas valve, ignitor, and flame sensor.
-

⚠ CAUTION:

To prevent damage to the unit or internal components, it is recommended that two wrenches be used when loosening or tightening nuts. Do not over tighten!

6. Using two wrenches, separate the ground-joint union in the gas supply piping at the unit.
7. Remove the piping between the gas valve and the ground-joint union (if applicable).

8. Remove all screws securing the burner assembly to the unit.
9. Carefully remove the burner assembly from the unit. **DO NOT DAMAGE THE IGNITER WHILE REMOVING THE BURNER ASSEMBLY.**
10. Inspect the burners for accumulated dust or debris. If necessary carefully clean them with a soft wire brush and a vacuum cleaner. **DO NOT DAMAGE THE IGNITER WHILE CLEANING THE BURNER.**
11. Replace all the parts in reverse order from which they were removed.
12. Follow the lighting instructions found on the lower unit door to return the unit to operation.
13. Verify proper operation after servicing.

COMPONENT FUNCTIONS

Flame Roll-Out Control - The flame roll-out control acts to verify that the burner flame is being drawn into the heat exchanger tubes. If the burner flame is not being drawn into the heat exchanger tubes, the roll-out control will open within several seconds and the integrated control diagnostic light will flash one time. The circulating air blower and combustion blower will continue to operate if the flame roll-out control opens.

Flame Sensor - The flame sensor acts to prove that flame has carried over from the ignitor to the right-most burner. If no flame is sensed, the unit will be shut down automatically.

Gas Valve - The gas valve controls the flow of gas to the burners. When the gas valve is energized it automatically opens and regulates the gas pressure in the manifold.

Pressure Switch - The pressure switch verifies that the inducer motor is drawing the combustion gases through the heat exchanger tubes and venting the gases through the vent system.

Over-Temperature Limit Control - The over-temperature limit control prevents the air temperature leaving the unit from exceeding the maximum outlet air temperature. If the limit opens, the integrated control diagnostic will flash one time. The circulating air blower and combustion blower will continue to operate if the over-temperature limit control opens.

TROUBLESHOOTING

If the unit does not operate in the cooling mode, check the following:

- The thermostat is operating properly
- Electrical power to the unit is turned on
- The filters are not dirty
- The service doors are in place
- The 3 amp fuse is operational

If the unit does not operate in the heating mode, check the following:

- The thermostat is operating properly
- Electrical power to the unit is turned on
- The filters are not dirty
- The gas is turned on and the manual shut-off valve is open
- The service doors are in place
- The flame roll-out control is closed
- The diagnostic codes listed in [Table 5](#) or on the wiring diagram, [Figure 11](#).
- The 3 amp fuse is operational

STATUS LIGHT (RED LED)	FAULT CONDITION
On	Power On
1 Flash	Limit Circuit Open
2 Flashes	Pressure Switch Stuck Open with Inducer ON
3 Flashes	Pressure Switch Stuck Closed with Inducer OFF
4 Flashes	Ignition Failure (Check Ground)
5 Flashes	230 VAC & Neutral Reversed or no ground
Continuous Flash	False Flame or Gas Relay Shorted
Off	Power Off

STATUS LIGHT (YELLOW LED)	FAULT CONDITION
Continuous Flash	Low Flame Sensor Signal
On	Flame Present

Table 5. Diagnostic Codes

FIGURES & TABLES

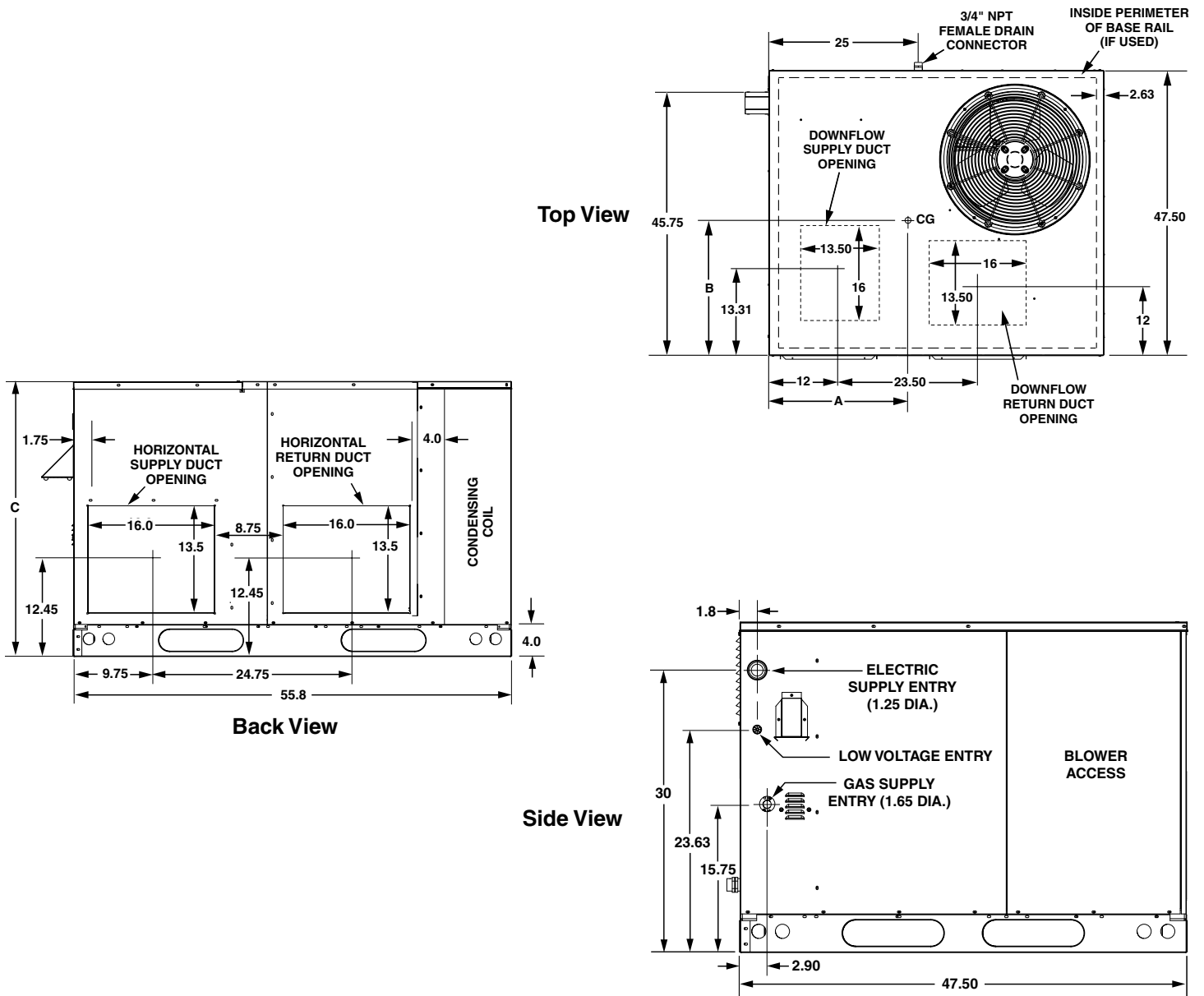


Figure 9. Unit Dimensions

MODEL NUMBER	UNIT WEIGHT	SHIPPING WEIGHT	CENTER OF GRAVITY		HEIGHT IN INCHES (C)	
			A	B	WITH BASE RAILS	WITHOUT BASE RAILS
024K045†	397	413	26.5	26.5	35.0	31.3
024K072†	405	421	26.0	26.5	35.0	31.3
030K045†	398	414	26.5	26.5	35.0	31.3
030K072†	406	422	26.0	26.5	35.0	31.3
036K072†	403	419	26.5	26.5	35.0	31.3
036K096†	411	427	26.5	26.5	35.0	31.3
042K072†	435	453	27.0	26.5	39.0	35.3
042K096†	443	461	27.0	26.5	39.0	35.3
048K096†	453	470	27.5	26.5	39.0	35.3
048K120†	461	478	27.5	26.5	39.0	35.3
X60K096†	472	489	27.5	26.5	43.0	39.3
X60K120†	480	497	27.5	26.5	43.0	39.3

† Denotes "C" or "X"

Table 6. Center of Gravity & Unit Shipping Weights

Airflow Data

MODEL NUMBER	HEATING RISE RANGE (BTU/H)	MOTOR TAP	EXTERNAL STATIC PRESSURE DROP - INCHES WATER COLUMN															
			0.1		0.2		0.3		0.4		0.5		0.6		0.7		0.8	
			(CFM)	(°F) RISE	(CFM)	(°F) RISE	(CFM)	(°F) RISE	(CFM)	(°F) RISE	(CFM)	(°F) RISE	(CFM)	(°F) RISE	(CFM)	(°F) RISE	(CFM)	(°F) RISE
024K045(†)	30-60	Tap T1	949	36	895	39	839	41	865	40	708	49	658	53	602	57	546	63
		Tap T2	949	36	895	39	839	41	865	40	708	49	658	53	602	57	546	63
		Tap T3**	949	36	895	39	839	41	865	40	708	49	658	53	602	57	546	63
		Tap T4																
		Tap T5																
024K072(†)	40-70	Tap T1	949	58	895	62	839	66	865	64	708	78	658	84	602	92	546	101
		Tap T2	949	58	895	62	839	66	865	64	708	78	658	84	602	92	546	101
		Tap T3	1195	46	1130	49	1055	52	980	56	900	61	850	65	800	69	730	76
		Tap T4**	1316	42	1263	44	1187	47	1128	49	1065	52	987	56	943	59	885	63
		Tap T5																
030K045(†)	30-60	Tap T1	949	36	895	39	839	41	865	40	708	49	658	53	602	57	546	63
		Tap T2**	949	36	895	39	839	41	865	40	708	49	658	53	602	57	546	63
		Tap T3																
		Tap T4																
		Tap T5																
030K072(†)	40-70	Tap T1	949	58	895	62	839	66	865	64	708	78	658	84	602	92	546	101
		Tap T2	1043	53	959	58	904	61	824	67	759	73	701	79	634	87	577	96
		Tap T3	1084	51	1026	54	974	57	925	60	850	65	790	70	742	75	694	80
		Tap T4**	1316	42	1263	44	1187	47	1128	49	1065	52	987	56	943	59	885	63
		Tap T5																
036K072(†)	40-70	Tap T1	1218	45	1031	54	944	59	868	64	782	71	710	78	643	86	583	95
		Tap T2**	1268	44	1207	46	1138	49	1048	53	982	56	918	60	832	67	771	72
		Tap T3																
		Tap T4																
		Tap T5																
036K096(†)	45-70	Tap T1	1360	54	1298	57	1235	60	1160	64	1085	68	1048	70	970	76	910	81
		Tap T2	1360	54	1298	57	1235	60	1160	64	1085	68	1048	70	970	76	910	81
		Tap T3**	1535	48	1470	50	1405	53	1345	55	1285	57	1228	60	1170	63	1110	66
		Tap T4																
		Tap T5																
042K072(†)	35-65	Tap T1	1218	45	1031	54	944	59	868	64	782	71	710	78	643	86	583	95
		Tap T2 **	1268	44	1207	46	1138	49	1048	53	982	56	918	60	845	65	771	72
		Tap T3																
		Tap T4																
		Tap T5																
042K096(†)	35-65	Tap T1	1218	61	1031	72	944	78	868	85	782	94	710	104	643	115	583	127
		Tap T2	1268	58	1207	61	1138	65	1048	70	982	75	918	80	832	89	771	96
		Tap T3	1489	50	1439	51	1381	53	1319	56	1253	59	1172	63	1090	68	1019	72
		Tap T4 **	1788	41	1740	42	1692	44	1633	45	1574	47	1511	49	1449	51	1389	53
		Tap T5																

** Denotes factory set heating speed
 Tap 1 is fan only
 (†) Part number may contain a C or X.
 Data is shown without a filter
 Heat rise: Btu/h (Input) = CFM * Δ T * 1.081
 Δ T = (Btu/h * 0.83) / (CFM * 1.081)

To comply with government mandated efficiency standards, two openings are required for airflows above 1,600 CFM.
 Temperature rises in the table are approximate. Actual temperature rises may vary.
 Individual cells shaded in gray indicate a temperature rise outside the recommended range.
 To comply with government mandated efficiency standards, speed settings which do not have data are not allowed in HEAT mode.

Table 7. Nominal Heating Airflow Rates & Temperature Rises (° F)

MODEL NUMBER	HEATING RISE RANGE (BTU/H)	MOTOR TAP	EXTERNAL STATIC PRESSURE DROP - INCHES WATER COLUMN															
			0.1		0.2		0.3		0.4		0.5		0.6		0.7		0.8	
			(CFM)	(°F) RISE	(CFM)	(°F) RISE	(CFM)	(°F) RISE	(CFM)	(°F) RISE	(CFM)	(°F) RISE	(CFM)	(°F) RISE	(CFM)	(°F) RISE	(CFM)	(°F) RISE
048K096(†)	35-65	Tap T1	1489	50	1439	51	1381	53	1319	56	1253	59	1172	63	1090	68	1019	72
		Tap T2	1553	48	1495	49	1417	52	1386	53	1322	56	1265	58	1196	62	1113	66
		Tap T3 **	1788	41	1740	42	1692	44	1633	45	1574	47	1511	49	1449	51	1389	53
		Tap T4																
		Tap T5																
048K120(†)	45-75	Tap T1	1489	62	1439	64	1381	67	1319	70	1253	74	1172	79	1090	85	1019	91
		Tap T2 **	1553	59	1495	62	1417	65	1386	67	1322	70	1265	73	1196	77	1113	83
		Tap T3																
		Tap T4																
		Tap T5																
060K096(†)	35-65	Tap T1	1448	51	1383	53	1320	56	1244	59	1180	63	1094	67	1027	72	958	77
		Tap T2 **	1635	45	1595	46	1510	49	1485	50	1425	52	1365	54	1305	57	1245	59
		Tap T3																
		Tap T4																
		Tap T5																
060K120(†)	45-75	Tap T1	1448	64	1383	67	1320	70	1244	74	1180	78	1094	84	1027	90	958	96
		Tap T2	1635	56	1595	58	1510	61	1485	62	1425	65	1365	68	1305	71	1245	74
		Tap T3 **	1839	50	1791	51	1699	54	1670	55	1600	58	1536	60	1469	63	1402	66
		Tap T4																
		Tap T5																

** Denotes factory set heating speed
Tap 1 is fan only
(†) Part number may contain a C or X.
Data is shown without a filter
Heat rise: Btu/h (Input) = CFM * Δ T * 1.081
Δ T = (Btu/h * 0.83) / (CFM * 1.081)

To comply with government mandated efficiency standards, two openings are required for airflows above 1,600 CFM.
Temperature rises in the table are approximate. Actual temperature rises may vary.
Individual cells shaded in gray indicate a temperature rise outside the recommended range.
To comply with government mandated efficiency standards, speed settings which do not have data are not allowed in HEAT mode.

Table 7. Continued

MODEL NUMBER	MOTOR TAP	EXTERNAL STATIC PRESSURE DROP - INCHES WATER COLUMN							
		0.1	0.2	0.3	0.4	0.5	0.6	0.7	0.8
		CFM	CFM	CFM	CFM	CFM	CFM	CFM	CFM
024K045(t)	Tap T1	949	895	839	865	708	658	602	546
	Tap T2*	949	895	839	865	708	658	602	546
	Tap T3	949	895	839	865	708	658	602	546
	Tap T4	1316	1263	1187	1128	1065	987	943	885
	Tap T5	1645	1594	1540	1470	1418	1355	1280	1213
024K072(t)	Tap T1	949	895	839	865	708	658	602	546
	Tap T2*	949	895	839	865	708	658	602	546
	Tap T3	1195	1130	1055	980	900	850	800	730
	Tap T4	1316	1263	1187	1128	1065	987	943	885
	Tap T5	1645	1594	1540	1470	1418	1355	1280	1213
030K045(t)	Tap T1	949	895	839	865	708	658	602	546
	Tap T2	949	895	839	865	708	658	602	546
	Tap T3*	1084	1026	974	925	850	790	742	694
	Tap T4	1316	1263	1187	1128	1065	987	943	885
	Tap T5	1645	1594	1540	1470	1418	1355	1280	1213
030K072(t)	Tap T1	949	895	839	865	708	658	602	546
	Tap T2	1043	959	904	824	759	701	634	577
	Tap T3*	1084	1026	974	925	850	790	742	694
	Tap T4	1316	1263	1187	1128	1065	987	943	885
	Tap T5	1645	1594	1540	1470	1418	1355	1280	1213
036K72(t)	Tap T1	1218	1031	944	868	782	710	643	583
	Tap T2	1268	1207	1138	1048	982	918	832	771
	Tap T3*	1360	1298	1235	1160	1085	1040	970	910
	Tap T4	1535	1470	1405	1345	1285	1228	1170	1110
	Tap T5	1595	1535	1474	1417	1360	1300	1240	1180
036K96(t)	Tap T1*	1360	1298	1235	1160	1085	1040	970	910
	Tap T2	1360	1298	1235	1160	1085	1040	970	910
	Tap T3	1535	1470	1405	1345	1285	1228	1170	1110
	Tap T4	1600	1538	1475	1418	1360	1300	1240	1180
	Tap T5	1785	1735	1685	1633	1580	1523	1465	1400
042K072(t)	Tap T1	1218	1031	944	868	782	710	643	583
	Tap T2	1268	1207	1138	1048	982	918	845	771
	Tap T3 *	1489	1439	1381	1319	1253	1172	1090	1019
	Tap T4	1876	1826	1777	1605	1666	1605	1544	1483
	Tap T5	1963	1912	1862	1698	1758	1698	1638	1577
042K096(t)	Tap T1	1218	1031	944	868	782	710	643	583
	Tap T2	1268	1207	1138	1048	982	918	845	771
	Tap T3 *	1489	1439	1381	1319	1253	1172	1090	1019
	Tap T4	1788	1740	1692	1511	1574	1511	1449	1389
	Tap T5	1963	1912	1862	1698	1758	1698	1638	1577
048K(t)	Tap T1	1489	1439	1381	1319	1253	1172	1090	1019
	Tap T2	1553	1495	1417	1386	1322	1265	1196	1113
	Tap T3	1788	1740	1692	1633	1574	1511	1449	1389
	Tap T4 *	1788	1740	1692	1633	1574	1511	1449	1389
	Tap T5	2015	1970	1915	1870	1805	1740	1680	1630
X60K(t)	Tap T1	1448	1383	1320	1244	1180	1094	1027	958
	Tap T2	1635	1595	1510	1485	1425	1365	1305	1245
	Tap T3	1839	1791	1699	1670	1600	1536	1469	1402
	Tap T4 *	1900	1855	1795	1750	1700	1650	1595	1535
	Tap T5	2202	2161	2104	2036	1974	1928	1872	1823

* Denotes factory set cooling speed
Tap 1 is fan only.
(t) Part number may contain a C or X.

Table 8. Nominal Cooling Airflow Rates & Temperature Rises (° F)

Gas Information

CAPACITY OF BLACK IRON GAS PIPE (CU. FT. PER HOUR) FOR NATURAL GAS (SPECIFIC GRAVITY - 0.60)								
NOMINAL PIPE DIAMETER (IN.)	LENGTH OF PIPE RUN (FEET)							
	10	20	30	40	50	60	70	80
1/2	130	90	75	65	55	50	45	40
3/4	280	190	150	130	115	105	95	90
1	520	350	285	245	215	195	180	170
1 1/4	1,050	730	590	500	440	400	370	350
1 1/2	1,600	1,100	890	760	670	610		

$$\text{Cubic Feet Per Hour Required} = \frac{\text{Input To Furnace (Btu/hr)}}{\text{Heating Value of Gas (Btu/Cu. Ft.)}}$$

NOTE: The cubic feet per hour listed in the table above must be greater than the cubic feet per hour of gas flow required by the furnace. To determine the cubic feet per hour of gas flow required by the furnace, divide the input rate of the furnace by the heating value (from gas supplier) of the gas.

Table 9. Gas Pipe Capacities

GAS FLOW RATES (CUBIC FEET PER HOUR)			
TIME FOR ONE REVOLUTION (SECONDS)	CUBIC FEET PER REVOLUTION OF GAS METER		
	1	5	10
10	360	1,800	3,600
12	300	1,500	3,000
14	257	1,286	2,571
16	225	1,125	2,250
18	200	1,000	2,000
20	180	900	1,800
22	164	818	1,636
24	150	750	1,500
26	138	692	1,385
28	129	643	1,286
30	120	600	1,200
32	113	563	1,125
34	106	529	1,059
36	100	500	1,000
38	95	474	947
40	90	450	900
42	86	429	857
44	82	409	818
46	78	391	783
48	75	375	750
50	72	360	720
52	69	346	692
54	67	333	667
56	64	321	643
58	62	310	621
60	60	300	600
62	58	290	581
64	56	281	563

GAS FLOW RATES (CUBIC FEET PER HOUR)			
TIME FOR ONE REVOLUTION (SECONDS)	CUBIC FEET PER REVOLUTION OF GAS METER		
	1	5	10
66	55	273	545
68	53	265	529
70	51	257	514
72	50	250	500
74	49	243	486
76	47	237	474
78	46	231	462
80	45	225	450
82	44	220	439
84	43	214	429
86	42	209	419
88	41	205	409
90	40	200	400
92	39	196	391
94	38	191	383
96	38	188	375
98	37	184	367
100	36	180	360
102	35	176	353
104	35	173	346
106	34	170	340
108	33	167	333
110	33	164	327
112	32	161	321
114	32	158	316
116	31	155	310
118	31	153	305
120	30	150	300

Table 10. Gas Flow Rates

FOR YOUR SAFETY READ BEFORE OPERATING

WARNING: If you do not follow these instructions exactly, a fire or explosion may result causing property damage, personal injury, or loss of life.

- A. This appliance does not have a pilot. It is equipped with an ignition device which automatically lights the burner. Do **not** try to light the burner by hand.
- B. BEFORE OPERATING smell all around the appliance area for gas. Be sure to smell next to the floor because some gas is heavier than air and will settle on the floor.
WHAT TO DO IF YOU SMELL GAS
 - Do not try to light any appliance.
 - Do not touch any electrical switch; do not use any phone in your building.
 - Immediately call your gas supplier from a neighbor's phone. Follow the gas supplier's instructions.
 - If you cannot reach your gas supplier, call the fire department.
- C. Use only your hand to push in or turn the gas control knob. Never use tools. If the knob will not push in or move by hand, do not try to repair it, call a qualified service technician. Force or attempted repair may result in a fire or explosion.
- D. Do not use this appliance if any part has been under water. Immediately call a qualified service technician to inspect the appliance and to replace any part of the control system and any gas control which has been under water.

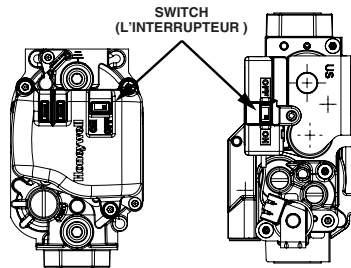
POUR VOTRE SÉCURITÉ. À LIRE AVANT L'EMPLOI

ATTENTION! L'inobservation de ces instructions peut entraîner un incendie ou une explosion pouvant causer des dommages à votre propriété à votre personne, ou la mort.

- A. Cet appareil ménager n'a pas de veilleuse. Il est doté d'un système d'allumage automatique. Ne pas essayer d'allumer le brûleur manuellement.
- B. AVANT L'USAGE. Attention à une possible odeur de gaz surtout au niveau du plancher où les gaz les plus lourds ont la tendance de se concentrer.
EN CAS D'ODEUR DE GAZ.
 - Ne mettre en marche aucun appareil électrique.
 - Ne toucher à aucun commutateur électrique, ne pas employer le téléphone.
 - Quitter le bâtiment immédiatement et avertir la compagnie du gaz en utilisant le téléphone d'un voisin.
 - A défaut de la compagnie du gaz, avertir le service des pompiers.
- C. Enfoncer ou faire tourner le robinet à gaz à la main seulement. Ne jamais utiliser d'outils. S'il n'est pas possible de faire tourner ou d'enfoncer le robinet à la main, ne pas essayer de le réparer. Faire appel à un spécialiste. Forcer ou tenter de réparer le robinet pourrait être à l'origine d'une explosion ou d'un incendie.
- D. Il est déconseillé d'utiliser cet appareil en contact prolongé avec l'eau. Faire inspecter ou remplacer toute commande par un technicien qualifié si un des systèmes de contrôle du gaz s'est trouvé sous l'eau.

OPERATING INSTRUCTIONS

1. **STOP!** Read the safety information above on this label.
2. Set the thermostat to the lowest setting.
3. Turn off all electrical power to the appliance.
4. The appliance's ignition device automatically lights the burner. Do not try to light burner by hand.
5. Remove the control access door/panel (upper door if two-door model).
6. Move the gas control switch to the "OFF" position. (See Figure 1)
7. Wait five (5) minutes to clear out any gas. Then smell for gas, including near the floor. If you smell gas, **STOP!** Follow "B" in above information. If you don't smell gas, go to the next step.
8. Move the gas control switch to the "ON" position. (See Figure 1)
9. Replace the control access door/panel (upper door if two door model).
10. Turn on all electrical power to the appliance.
11. Turn the thermostat to a desired setting.
12. If the appliance will not operate, follow the instructions "To Turn Off Gas To Appliance" and call your service technician or gas supplier.



MODE D'EMPLOI

1. **ATTENTION!** Lire d'abord la liste des mesures de sécurité ci-dessus.
2. Mettre le thermostat à la position minimale.
3. Couper le courant électrique qui mène à l'appareil.
4. Cet appareil ménager étant doté d'un système d'allumage automatique, ne pas essayer d'allumer le brûleur manuellement.
5. Retirer le panneau/volet d'accès de commande (panneau supérieur s'il s'agit d'un modèle à deux panneaux).
6. Réglez l'interrupteur de commande du gaz à la position "OFF". (voir Figure 1).
7. Attendre cinq (5) minutes pour s'assurer de la dissipation du gaz. En cas d'odeur, **ARRÊTER LE PROCÉDÉ.** Suivre les instructions ci-dessus (Section B). En l'absence de toute odeur de gaz, avancer à l'étape suivante.
8. Réglez l'interrupteur de commande du gaz à la position "ON". (voir Figure 1).
9. Remettre le panneau/volet d'accès de commande en place (panneau supérieur s'il s'agit d'un modèle à deux panneaux).
10. Rebrancher l'appareil sur le réseau électrique.
11. Ajuster le thermostat à la position désirée.
12. Si l'appareil ne fonctionne pas, suivre les "Directives d'arrêt" ci-dessous et appeler le technicien de service.

TO TURN OFF GAS TO APPLIANCE

1. Set the thermostat to the lowest setting.
2. Turn off all electrical power to the appliance if service is to be performed.
3. Remove the control access door/panel (upper door if two-door model).
4. Move the gas control switch to the "OFF" position. Do not use force. (See Figure 1)
5. Replace the control access door/panel (upper door if two-door model).

DIRECTIVES D'ARRÊT

1. Mettre le thermostat à la position minimale.
2. Débrancher l'appareil en prévision de la réparation.
3. Retirer le panneau/volet d'accès de commande (panneau supérieur s'il s'agit d'un modèle à deux panneaux).
4. Réglez l'interrupteur de commande du gaz à la position "OFF". Ne forcez pas. (voir Figure 1).
5. Remettre le panneau/volet d'accès de commande en place (panneau supérieur s'il s'agit d'un modèle à deux panneaux).



10186330 (Replaces 7106740)
(10/17)

Figure 10. Gas Valve Label

WIRING DIAGRAM

Packaged Single Stage Gas Heat/Electric Air Conditioner

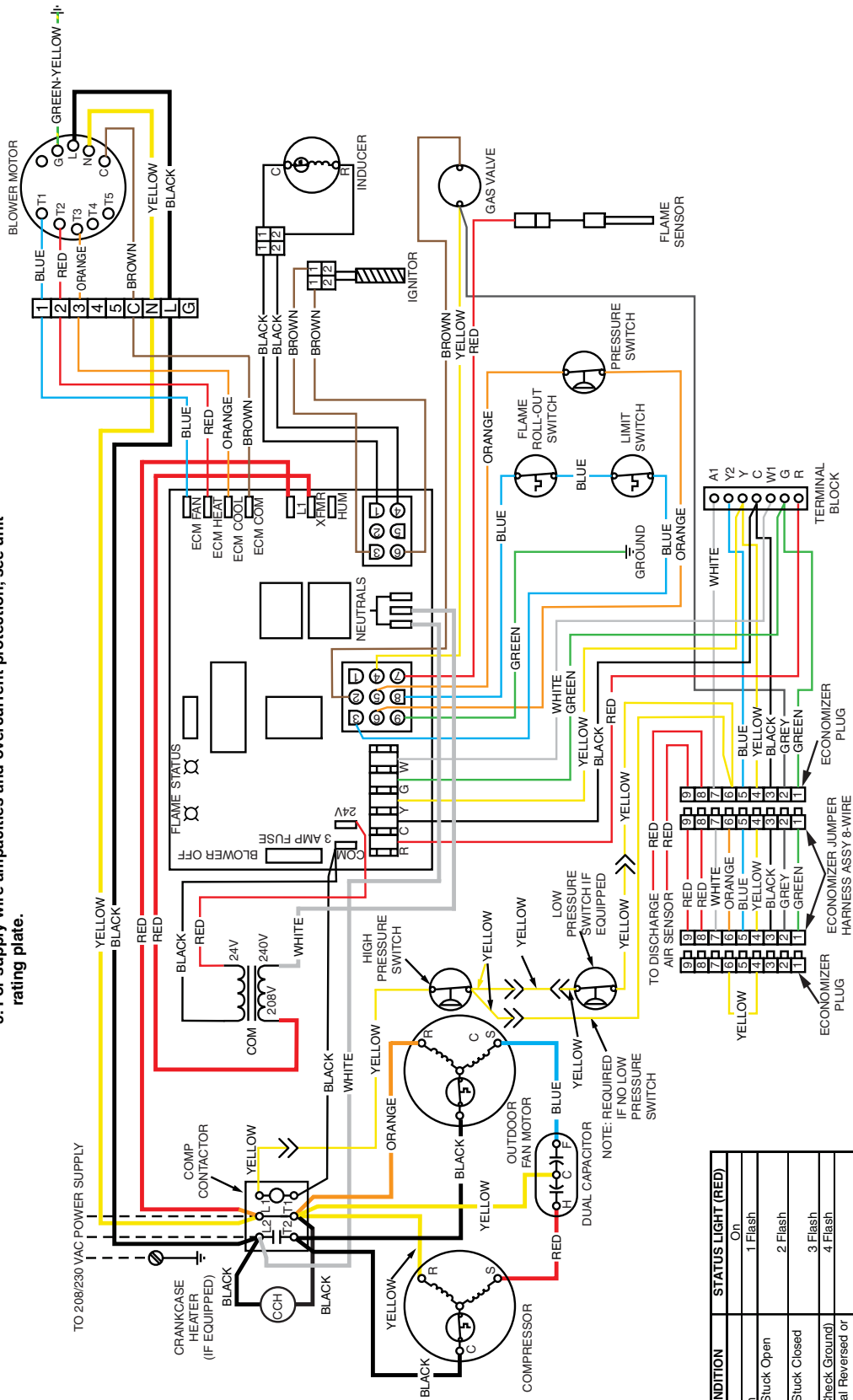
208/230 Volt

Single Phase

60Hz

NOTES:

1. Disconnect all power before servicing.
2. For supply connections use copper conductors only.
3. Not suitable on systems that exceed 150V to ground.
4. If any of the original wire as supplied with the furnace must be replaced, it must be replaced with wiring material having a temperature rating of at least 105 C.
5. For supply wire ampacities and overcurrent protection, see unit rating plate.
1. Couper le courant avantaire letretien.
2. Employez uniquement des conducteurs en cuivre.
3. Ne convient pas aux installations de plus de 150V a la terre.



FAULT CONDITION	STATUS LIGHT (RED)
Power On	On
Limit Circuit Open	1 Flash
Pressure Switch Stuck Open with Inducer On	2 Flash
Pressure Switch Stuck Closed with Inducer Off	3 Flash
Ignition Failure (Check Ground)	4 Flash
230 VAC & Neutral Reversed or No Ground	5 Flash
False Flame or Gas Relay Shorted	Continuous Flash
Power Off	Off
FAULT CONDITION	STATUS LIGHT (YELLOW)
Low Flame Sensor Signal	Continuous Flash
Flame Present	On

LEGEND:
 FIELD WIRING - - -
 LOW VOLTAGE ———
 HIGH VOLTAGE ———



711177B
 (Replaces 711177A)
 8/19

Figure 11. Wiring Diagram for 208/230V / 60 Hz Unit with ECM Motor

MODEL NUMBER	HEATING INPUT (BTUH)	NOMINAL ELECTRICAL SUPPLY	VOLTAGE RANGE		COMPRESSOR		FAN AMPS	BLOWER MOTOR AMPS	MINIMUM CIRCUIT AMPACITY	MAXIMUM OVER-CURRENT PROTECTION
			MIN.	MAX.	RLA	LRA				
024K	45000	208/230-60-1	187	253	12.8	58.3	1.0	3.6	20.6	30
	72000	208/230-60-1	187	253	12.8	58.3	1.0	3.6	20.6	30
030K	45000	208/230-60-1	187	253	15.7	73	1.46	3.6	24.7	40
	72000	208/230-60-1	187	253	15.7	73	1.46	3.6	24.7	40
036K	72000	208/230-60-1	187	253	18.6	79	1.46	5	29.7	45
	96000	208/230-60-1	187	253	18.6	79	1.46	5	29.7	45
042K	72000	208/230-60-1	187	253	22.1	109	1.46	5	34.1	50
	96000	208/230-60-1	187	253	22.1	109	1.46	5	34.1	50
048K	96000	208/230-60-1	187	253	24.3	117	1.46	5	36.8	60
	120000	208/230-60-1	187	253	24.3	117	1.46	5	36.8	60
X60K	96000	208/230-60-1	187	253	29.3	134	1.46	6.5	44.7	70
	120000	208/230-60-1	187	253	29.3	134	1.46	6.5	44.7	70

NOTE: FLA = Full Load Amps; LRA = Lock Rotor amps; RLA = Rated Load Amps.

Table 11. Electrical Data.

REFRIGERANT CHARGING

WARNING:

These units are shipped fully charged with R-410A refrigerant and ready for installation. When a system is installed according to these instructions, no refrigerant charging is required. If repairs make it necessary for evacuation and charging, it should only be done by qualified, trained personnel thoroughly familiar with this equipment. Some local codes require licensed installation/service personnel to service this type of equipment. Under no circumstances should the owner attempt to install and/or service this equipment. Failure to comply with this warning could result in property damage, personal injury, or death.

CAUTION:

This unit uses R-410A refrigerant. DO NOT use any other refrigerant in this unit. Use of another refrigerant may damage the unit.

The system refrigerant charge can be checked and adjusted through the service ports provided at the front panel. Use only gauge lines which have a "Schrader" depression device present to actuate the valve. Draw a vacuum on gauge lines to remove air before attaching them to the service ports on the unit. Refrigerant charging must be done by qualified personnel familiar with safe and environmentally responsible refrigerant handling procedures.

Application Notes & Charging Charts

(Cooling Mode Only)

This equipments cooling system contains refrigerant under high pressure, always use safe practices when servicing the unit. Always review the factory literature and safety warnings prior to servicing.

These units are shipped from the factory with the proper amount and type of refrigerant. Always inspect the unit rating label to determine the units information prior to working on the system. Do not mix different refrigerants or charge the unit with a refrigerant not listed on the unit rating label.

The charging tables are valid for a variety of indoor, return air conditions and are most highly influenced by the outdoor ambient temperature, outdoor fan operation and the unit operating voltage. Before referencing the charts, always make sure that the compressor circuit is energized on nominal speed (Y1 & Y2 energized) and has stable operation. As can be seen in the charging charts, the ideal system sub-cooling can vary over the range of operation. Always reference the charts to determine the ideal amount of sub-cooling for a given liquid pressure. Units charged to other values will not perform at the rated unit efficiency (EER). For 2 - 4 ton units, see [Table 12 \(page 28\)](#), [Table 13 \(page 28\)](#), [Table 14 \(page 29\)](#), [Table 15 \(page 29\)](#), & [Table 16 \(page 30\)](#). For 5 ton units see [Figure 12 \(page 30\)](#).

To inspect a systems operation, using quality instruments, match the measured liquid temperature to the units chart. The measured liquid pressure reading should be within 3% of the value shown for most installations.

DO NOT use the charts for operating under first stage cooling.

For systems that are operating with more then a 5% deviation, inspect the unit for leaks. Always use safe and environmentally sound methods for refrigerant handling. When repairing system leakages, always utilize a nitrogen (inert) gas to protect the refrigerant system and pressure check the repair before re-charging. Always replace the filter-dryers when performing any repair to the refrigeration system. After completing the repairs, evacuate the system to 350-500 microns and weigh in the refrigerant to the amount specified on the unit rating label.

Refrigerant Charging Tables (Cooling Mode Only)

■ Shaded boxes indicate flooded conditions.

□ Rated design values. The suction pressure will be lower than design value if indoor air flow, entering dry bulb, or entering wet bulb temperatures are lower than design.

1. All pressures are listed in psig and all temperatures in °F

2. Discharge temperatures greater than charted values indicate an undercharged system.

024K SERIES																
SUCT. PRESS.	OUTDOOR TEMPERATURE (°F)															
	70		75		80		85		90		95		100		105	
	LIQ. PRESS.	DIS. TEMP.	LIQ. PRESS.	DIS. TEMP.	LIQ. PRESS.	DIS. TEMP.	LIQ. PRESS.	DIS. TEMP.	LIQ. PRESS.	DIS. TEMP.	LIQ. PRESS.	DIS. TEMP.	LIQ. PRESS.	DIS. TEMP.	LIQ. PRESS.	DIS. TEMP.
137	249	132														
139	251	137	271	134												
141	253	142	273	139	293	137										
143	258	142	275	144	296	142	316	140								
145	261	145	280	146	298	147	318	144	338	143						
147			283	149	302	149	320	149	341	147	361	146				
149					306	153	324	152	343	152	363	150	383	149		
151							328	156	346	155	365	154	385	153	406	152
153							331	160	350	159	368	158	387	157	408	156
155									353	163	372	162	391	161	410	159
157											375	166	394	165	413	164
159													397	169	416	168
161															420	173
163																

Table 12. Charging Table for 2 Ton Models

030K SERIES																
SUCT. PRESS.	OUTDOOR TEMPERATURE (°F)															
	70		75		80		85		90		95		100		105	
	LIQ. PRESS.	DIS. TEMP.	LIQ. PRESS.	DIS. TEMP.	LIQ. PRESS.	DIS. TEMP.	LIQ. PRESS.	DIS. TEMP.	LIQ. PRESS.	DIS. TEMP.	LIQ. PRESS.	DIS. TEMP.	LIQ. PRESS.	DIS. TEMP.	LIQ. PRESS.	DIS. TEMP.
136	244	136														
138	246	141	268	137												
140	248	146	270	142	292	138										
142	254	144	272	147	294	143	316	140								
144	258	146	278	147	296	148	319	145	341	142						
146			281	150	302	150	321	149	343	146	365	144				
148					305	153	325	152	345	151	367	148	390	146		
150							329	156	349	154	369	152	392	150	414	148
152							332	159	352	158	373	156	394	154	416	152
154									356	162	376	160	396	158	418	156
156											380	164	400	162	420	160
158													403	167	424	164
160															427	168
162																

Table 13. Charging Table for 2.5 Ton Models

■ Shaded boxes indicate flooded conditions.

□ Rated design values. The suction pressure will be lower than design value if indoor air flow, entering dry bulb, or entering wet bulb temperatures are lower than design.

1. All pressures are listed in psig and all temperatures in ° F
2. Discharge temperatures greater than charted values indicate an undercharged system.

036K SERIES																
SUCT. PRESS.	OUTDOOR TEMPERATURE (°F)															
	70		75		80		85		90		95		100		105	
	LIQ. PRESS.	DIS. TEMP.	LIQ. PRESS.	DIS. TEMP.	LIQ. PRESS.	DIS. TEMP.	LIQ. PRESS.	DIS. TEMP.	LIQ. PRESS.	DIS. TEMP.	LIQ. PRESS.	DIS. TEMP.	LIQ. PRESS.	DIS. TEMP.	LIQ. PRESS.	DIS. TEMP.
132	243	135														
134	245	140	266	138												
136	247	145	269	143	290	140										
138	253	144	271	148	292	145	313	143								
140	257	147	276	148	294	150	316	148	337	146						
142			280	151	299	152	318	153	339	151	361	150				
144					303	155	322	156	341	155	363	154	384	153		
146							326	159	345	159	365	158	386	157	408	156
148							329	163	349	163	368	162	388	161	410	160
150									352	167	372	166	391	165	412	164
152											375	170	395	169	414	168
154													398	174	418	172
156															421	177
158																

Table 14. Charging Table for 3 Ton Models

042K SERIES																
SUCT. PRESS.	OUTDOOR TEMPERATURE (°F)															
	70		75		80		85		90		95		100		105	
	LIQ. PRESS.	DIS. TEMP.	LIQ. PRESS.	DIS. TEMP.	LIQ. PRESS.	DIS. TEMP.	LIQ. PRESS.	DIS. TEMP.	LIQ. PRESS.	DIS. TEMP.	LIQ. PRESS.	DIS. TEMP.	LIQ. PRESS.	DIS. TEMP.	LIQ. PRESS.	DIS. TEMP.
125	252	116														
127	254	121	276	121												
129	256	126	278	126	300	127										
131	261	126	280	131	302	132	324	133								
133	265	129	285	133	304	137	326	137	348	139						
135			288	136	309	139	328	142	350	143	373	145				
137					312	142	332	145	353	147	375	149	397	151		
139							336	149	356	151	377	153	399	155	421	157
141							339	152	360	155	380	157	401	159	423	160
143									363	159	383	161	404	163	425	164
145											387	165	407	167	428	168
147													411	171	431	173
149															434	177
151																

Table 15. Charging Table for 3.5 Ton Models

■ Shaded boxes indicate flooded conditions.

□ Rated design values. The suction pressure will be lower than design value if indoor air flow, entering dry bulb, or entering wet bulb temperatures are lower than design.

1. All pressures are listed in psig and all temperatures in ° F
2. Discharge temperatures greater than charted values indicate an undercharged system.

048K SERIES																
SUCT. PRESS.	OUTDOOR TEMPERATURE (°F)															
	70		75		80		85		90		95		100		105	
	LIQ. PRESS.	DIS. TEMP.	LIQ. PRESS.	DIS. TEMP.	LIQ. PRESS.	DIS. TEMP.	LIQ. PRESS.	DIS. TEMP.	LIQ. PRESS.	DIS. TEMP.	LIQ. PRESS.	DIS. TEMP.	LIQ. PRESS.	DIS. TEMP.	LIQ. PRESS.	DIS. TEMP.
127	248	130														
129	250	135	273	134												
131	252	140	275	139	298	139										
133	257	141	277	144	300	144	323	144								
135	260	143	282	146	303	148	326	148	349	148						
137			285	149	307	151	328	153	351	153	374	153				
139					310	155	332	156	353	157	376	157	399	158		
141							335	160	356	161	378	162	401	162	424	163
143							338	163	360	165	381	166	403	166	426	167
145									363	169	385	170	406	170	428	170
147											388	174	410	174	431	175
149													413	179	435	179
151															438	184
153																

Table 16. Charging Table for 4 Ton Models

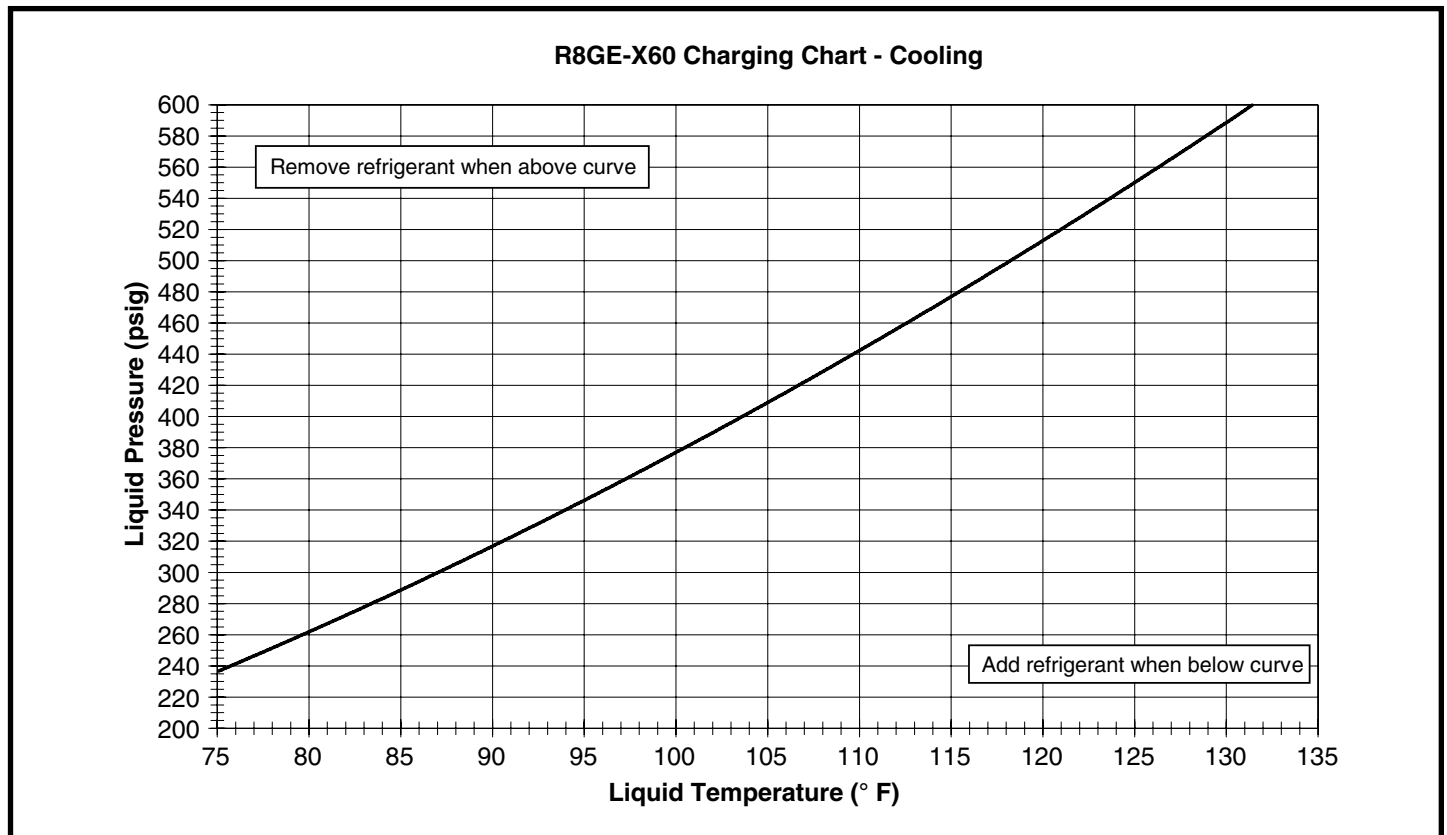


Figure 12. Charging Chart for 5 Ton Models

INSTALLATION CHECKLIST

INSTALLATION ADDRESS:		
CITY:	STATE:	
UNIT MODEL #		
UNIT SERIAL #		
Unit Installed Minimum clearances per Figure 1 (page 5) ?	YES	NO
INSTALLER NAME:		
CITY:	STATE:	
Has the owner's information been reviewed with the customer?	YES	NO
Has the Literature Package been left with the unit?	YES	NO

ELECTRICAL SYSTEM		
Electrical connections tight?	YES	NO
Line voltage polarity correct?	YES	NO
Rated Voltage (VOLTS):		
L1-L2 Volts:		
Has the thermostat been calibrated?	YES	NO
Is the thermostat level?	YES	NO
Is the heat anticipator setting correct? (If Applicable)	YES	NO

VENTING SYSTEM		
Is the vent hood installed?	YES	NO
Is vent hood free from restrictions	YES	NO
Filter(s) secured in place?	YES	NO
Filter(s) clean?	YES	NO

ATTENTION INSTALLERS:

It is your responsibility to know this product better than your customer. This includes being able to install the product according to strict safety guidelines and instructing the customer on how to operate and maintain the equipment for the life of the product. Safety should always be the deciding factor when installing this product and using common sense plays an important role as well. Pay attention to all safety warnings and any other special notes highlighted in the manual. Improper installation of the unit or failure to follow safety warnings could result in serious injury, death, or property damage. These instructions are primarily intended to assist qualified individuals experienced in the proper installation of this appliance. Some local codes require licensed installation/service personnel for this type of equipment.

GAS SYSTEM		
Gas Type: (circle one)	Natural Gas	Propane
Gas pipe connections leak-tested?	YES	NO
Gas Line Pressure (in - W.C.):		
Is there adequate fresh air supply for combustion and ventilation?	YES	NO
Installation Altitude (FT.):		
Deration Percentage:		
Unit Input (Btuh):		
Supply Air Temperature (° F):		
Return Air Temperature (° F):		
Temperature Rise (° F):		
DURING UNIT OPERATION:		
Manifold pressure (in - W.C.):		

REFRIGERATION SYSTEM		
Was unit given 24 hr warm up period for crankcase heaters (if equipped)?	YES	NO
Stage-1 Liquid Pressure (high side):		
Stage-1 Suction Pressure (low side):		

REPLACEMENT PARTS

Replacement parts are available through your distributor. Please have the complete model and serial number of the unit when ordering replacement parts.

ELECTRICAL:

- Capacitors
- Compressors
- Contactors
- Gas Valves
- Ignition Controls
- Ignitors/Flame Sensors
- Pressure Switches
- Relays
- Temperature Limit Switches
- Thermostats
- Time Delay Relays
- Transformers

MOTORS:

- Blower Motor
- Fan Motor
- Inducer Blower Motor

COMPONENTS:

- Blower Assembly
- Burner Manifold
- Burners/Orifices
- Cabinet Panels
- Expansion Valves
- Fan Grille
- Filter/Driers
- Gaskets
- Heat Exchanger

