

Central Brass Company, Inc.  
3325 S. Garfield Ave.  
Commerce, CA 90040  
(800) 321-8630  
www.centralbrass.com

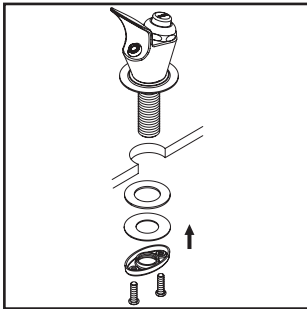
**Model Number: 0360, 0361, 0362**

## Warnings and Notes:

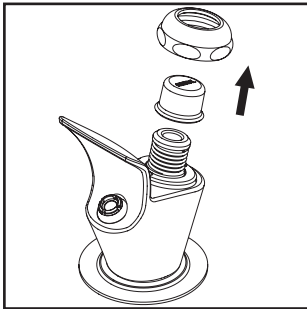
Check with local plumbing code requirements before installation.  
This product should be installed by a local listed plumber.  
**Do not use plumbers putty on threads.**

## Installation Steps:

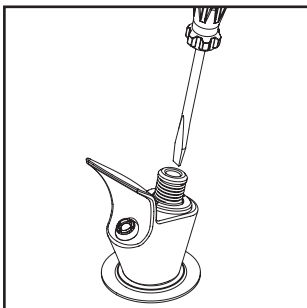
Drinking Faucet



(1) Apply a thin uniform layer of plumber's putty to the underside of the faucet. Place faucet shank through the mounting hole. Locate the two screws for the mounting nut, insert and thread screws ONLY until flush with the mounting nut. From underneath the sink, slide the rubber washer and steel plate onto the faucet shank. Thread and hand tighten the mounting nut then tighten the two screws to secure.



(2) If water flow needs to be changed. Remove cap nut and cap button.



(3) Use flat head screwdriver to adjust regulator slot, clockwise turn to increase water flow, counter-clockwise turn to decrease water flow, depress spring to test water flow after each turn of regulator slot. Replace cap button and cap nut when adjustment was done.

# INSTALLATION

## Tools:



Phillips screwdriver



Plumbers Putty



Teflon Tape



Rags



Flat Head Screwdriver

