

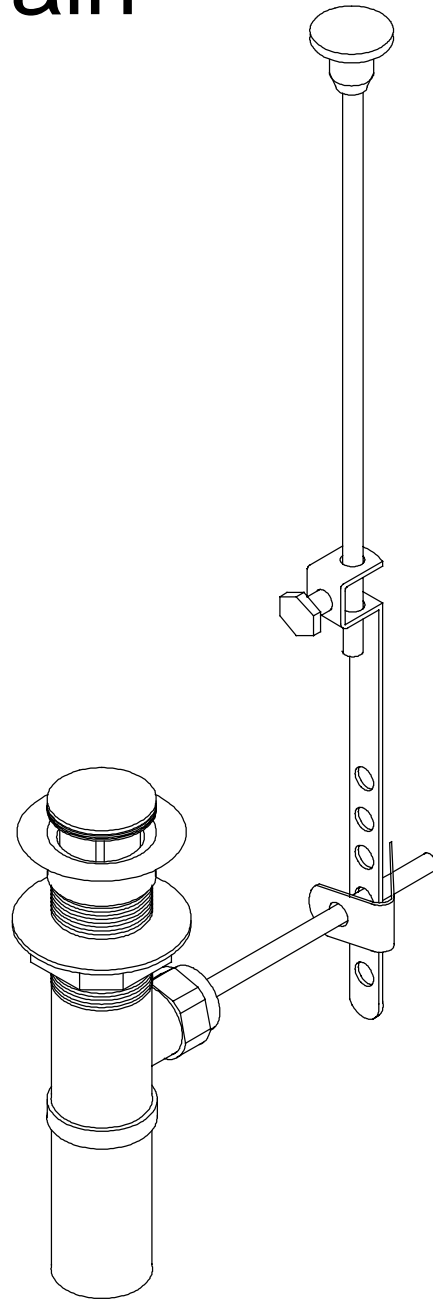
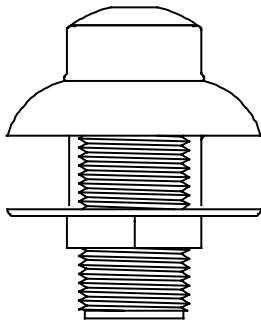
Central Brass®

The Easy Choice

Pop-Up Drain

Installation Instructions
1109 - Series

Guide
(optional)

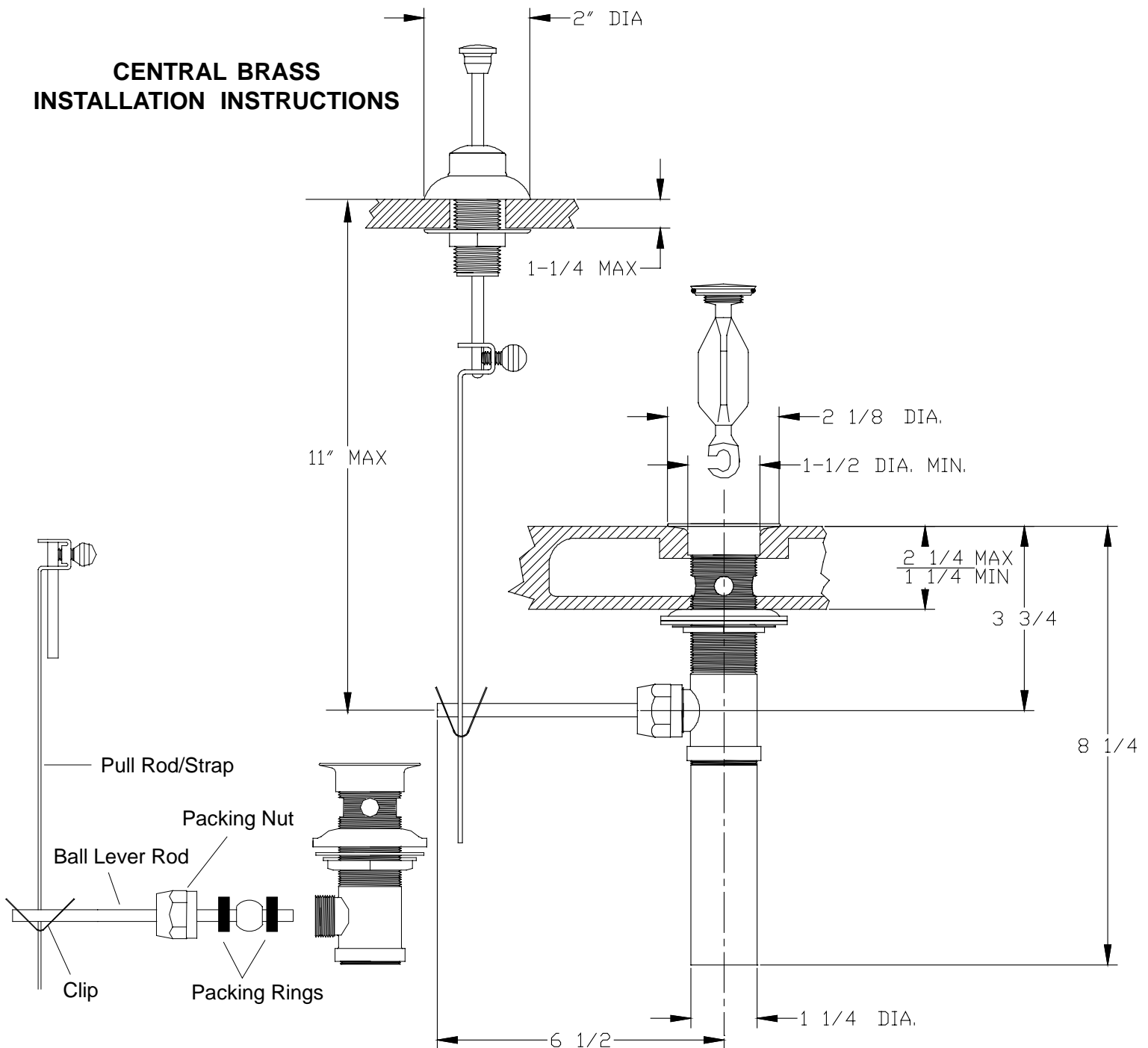


CENTRAL BRASS MFG CO

2950 East 55th Street, Cleveland, Ohio 44127

Phone: 216-883-0220 Fax: 216-883-0875 Email: sales @CentralBrass.com

CENTRAL BRASS INSTALLATION INSTRUCTIONS



GUIDE FOR INSTALLING POP-UP DRAIN

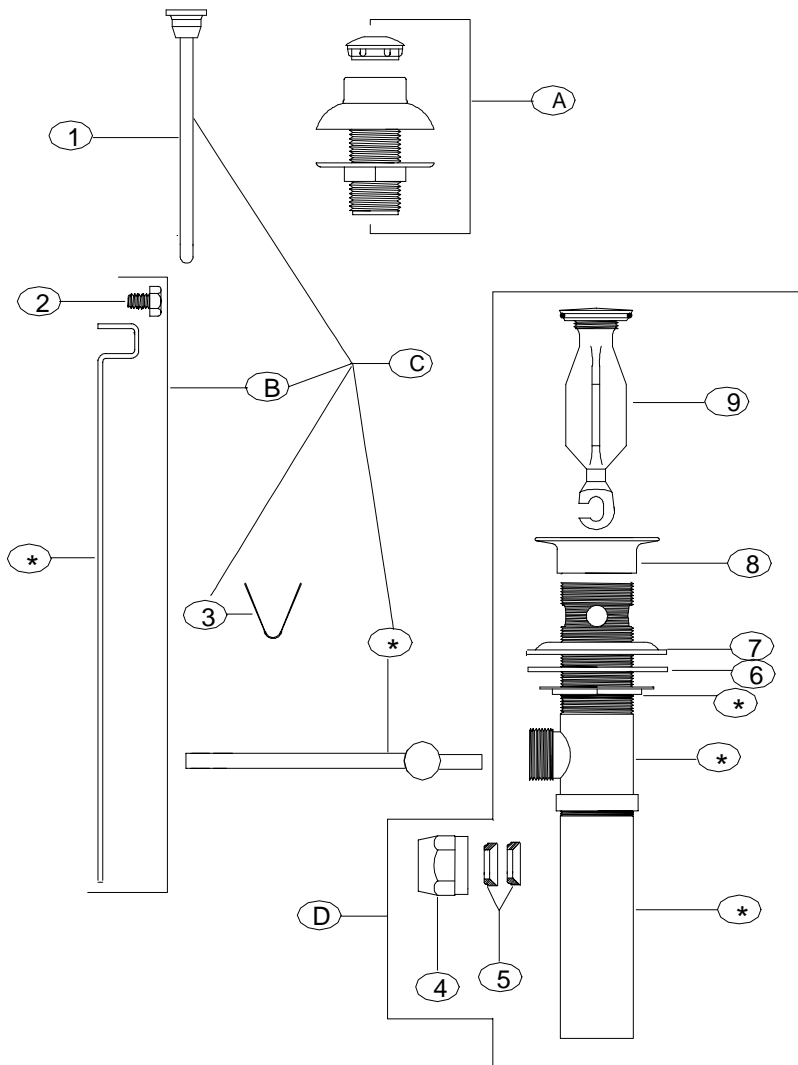
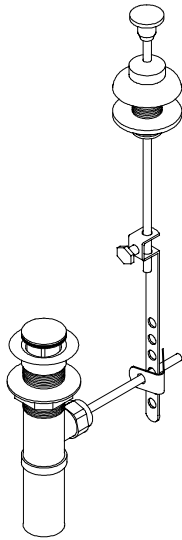
1. Remove stopper and drain flange from the pop-up tee.
2. Apply putty (plumbers set) to underside of drain flange and place in sink drain hole.
3. Assemble locknut, steel washer, and rubber washer (beveled side up) to tee. Thread tee into flange from under sink. Tighten locknut from underside with ball lever socket pointing toward the back of sink.
4. Install stopper into flange.
5. Install ball lever packing ring into pop-up tee. Insert ball lever thru packing ring and into hole in stopper. Place 2nd packing ring on ball lever and tighten with hex nut.
6. Assemble pull rods with lock set screw as shown, tighten lock set screw to pull rod at proper height. Adjust rod clip so that stopper seats properly.

CENTRAL BRASS MFG CO

2950 East 55th Street, Cleveland, Ohio 44127

Phone: 216-883-0220 Fax: 216-883-0875 Email: sales@CentralBrass.com

REPLACEMENT PARTS



* These items are not offered individually and must be purchased as a group or unit. Please contact Central Brass for more information.

Widespreads
 Centersets
 Shelf Back Faucets
 Special Widespreads

***Ball Lever Unit**
 G-195-DS80T
 G-195-DST
 G-195-EBST
 G-195-MST

***Pull Rod & Knob**
 SU-195-BJ1180
 SU-195-BT
 G-21
 SU-195-BJ1180

#	Part #	Description
A	SU-2051-P	Pull Rod Guide with Plug & Locknut for items 1109 & 1109-BP only
B	SU-195	Pop-up Bracket with Screw (X113-P)
C	G-195-DST	Pull Rod Group with Pop-up Bracket (SU-195) & Ball Lever Rod
D	SU-1109	Pop-up Drain less pull rod & bracket with Stopper & Guide (SU-2113-TT)
1	SU-195-BT9	Pull Rod & Knob
2	X113-P	Pop-up Bracket Screw (6 pcs per pack)
3	X195-C	Clip (6 pcs per pack)
4	192-NBB	Ball Lever Nut
5	X409-PT	Ball Lever Packing (12 pcs per pack)
6	X51-D	Washer (10 pcs per pack)
7	X994-1109	Mac Washer (4 pcs per pack)
8	2056-SPT1109	Top Flange
9	SU-2113-TT	Stopper & Guide

CENTRAL BRASS MFG CO

2950 East 55th Street, Cleveland, Ohio 44127

Phone: 216-883-0220 Fax: 216-883-0875 Email: sales @CentralBrass.com