

SPECIFICATION AND INSTALLATION GUIDE

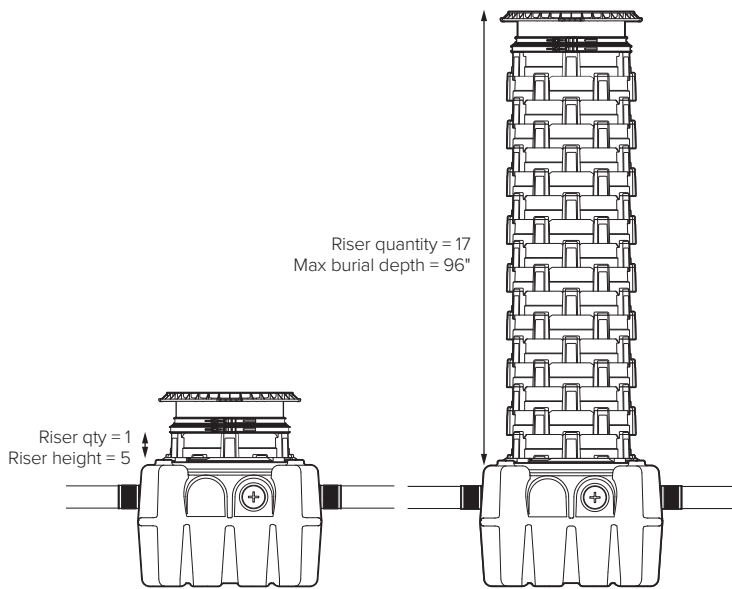
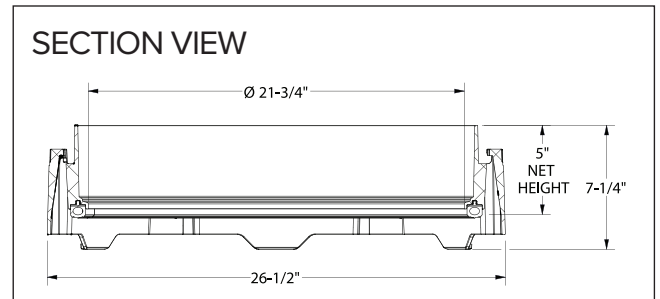
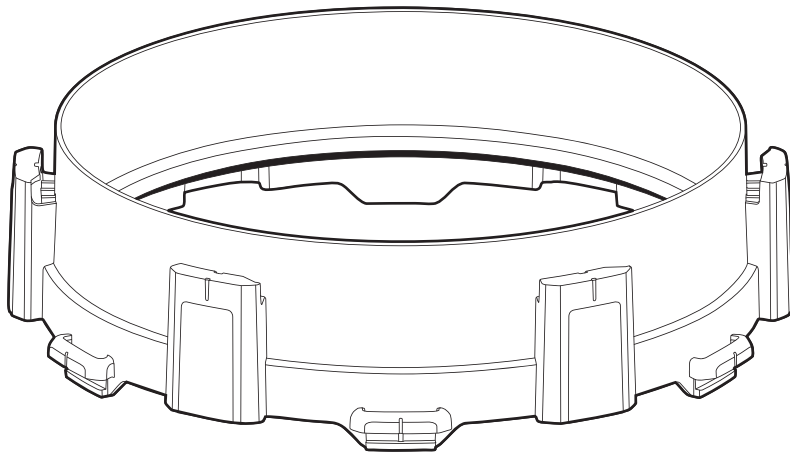


Failure to follow this guidance will void your warranty

FP24 Fast Pitch® riser

For use with grease interceptors models GB-50, GB-75, GB-250, GB-500, GB-1000 and GB-1500; solids interceptors models SI-50, SI-75, SI-250 and SI-500; inspection port models SV24 and SV24-O.

Unit weight: 8 lbs.

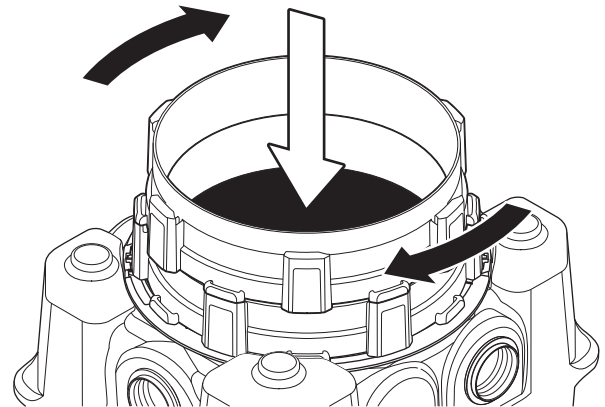


Min/Max riser levels

The FP24 risers are 5" tall and can be stacked from a minimum of 1 to a maximum of 17.



Calculate FP24 riser quantity needed



FP24 riser install

To assemble, each riser section twists and locks into place. For more information, installation instructions are included with the base unit as well as the QR code.



See Fast Pitch installation steps



SCHIER

MODEL NUMBER:
FP24

PART #: 8010-012-01

DESCRIPTION: 5" tall Fast Pitch® riser for grease interceptors with 24" covers installed below grade.

DATE: 07/07/2025

REV:

ECO: