

INSTRUCTION

INSTRUCCIÓN

MODE D'EMPLOI

## GMP6 / 18 / LC55 / LC100

HYDRONIC SYSTEM FEEDER  
SISTEMA AUXILIAR DE GLICOL  
SYSTÈME D'APPOINT AU GLYCOL

**EN** ENGLISH → 2

**ES** ESPAÑOL → 8

**FR** FRANÇAIS → 14





**GMP**  
Glycol Make-up Package

**GMP6 / 18 / LC55 / LC100**

# INSTALLATION, OPERATION AND MAINTENANCE

The GMP can be used with heating or cooling systems. It is used to maintain the system at a specific pressure. The GMP should be used to pressurize the system when it is at its lowest temperature.



## Installation Instructions

Do not install a pressure regulator or check valve between system feeder and the system.

Ensure that there is a system isolation valve to isolate the system feeder.

GMP6 / 18 / LC55 / LC100:

**Max pressure at 412.8 kPa (60 PSI)**

Factory set at 82.5 kPa (12 PSI)

## Operation Verification

It is important to check the proper functioning of each component before final connection

1. Make sure the tank is free of dirt.
2. Check the operation of the pump.
  - A) Connect the pump directly into a wall outlet.
3. Check the operation of the pump/float assembly.
  - A) Make sure that the float shaft is upright (90°) and that the float can move freely.
  - B) Manually lift the float to ensure free movement of ball in the float.

4. Check the overall operation of the unit.

- A) Connect unit to system and close system isolation valve.
- B) Plug the pump to the wall outlet.
- C) Fill tank with solution mix of glycol/water – up to 50% glycol (we recommend a non-toxic propylene-based glycol).
- D) Open unit circulation valve (pump should start) to verify that the pump works properly.
- E) Close unit circulation valve and open system isolation valve.

## SYSTEM START-UP

1. Install the system feeder on a levelled and sturdy surface, or on optional wall mounting bracket (#GMP6WMS, for GMP6 only).
2. Fill system feeder tank with correct fluid required for system operation.

## USE OF AN INDEPENDANT SOLUTION CONTAINER FOR FILLING (GMP6 & GMP18 ONLY)

**NOTE:** Do not plug in the unit until step D, as instructed below.

The GMP is equipped with a 3-way valve facilitating system filling (**photo 1**).

- A) Fill the GMP tank with the least amount of solution so the float is activated. (3.5 US Gal/13 L for both GMP6 and GMP18).
- B) With a flat head screwdriver, turn the valve so it rotates 90° counterclockwise, until the valve indicator points to the independent tank (**photo 2**).
- C) Install a hose on the valve to link the independent tank to the pump.

**WARNING:** the pump self-primers up to a maximum of 8 feet. It is important to stay within this range to use the GMP pump to fill your system. It is recommended to use Calefactio's filling kit. (#GMPFILLINGKIT).

- D) Plug the pump into the piggyback, and then into an electrical outlet.
- E) The GMP pump will fill the system and stop. Once it has stopped, unplug the GMP from the electrical outlet.
- F) Place the valve back at "SYSTEM" position (**photo3**) and remove the hose.
- G) Plug the GMP back into the electrical outlet.
- H) Finalize system filling by raising it to the desired pressure level using the solution inside the GMP tank. Fill it manually if need be.

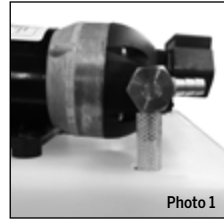


Photo 1

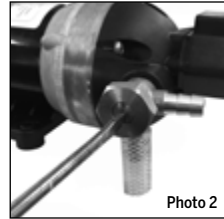


Photo 2

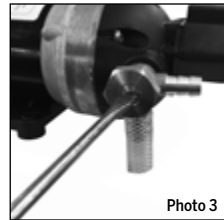


Photo 3

## OPEN SYSTEM ISOLATION VALVE. INSERT PUMP ELECTRICAL PLUG INTO PIGGYBACK SWITCH PLUG, AND INTO WALL OUTLET.

**NOTE:** The pressure gauge on system feeder may indicate a different pressure than a gauge installed elsewhere in the system. This difference may be due to calibration variations, or elevation differences and is normal.

3. If the system pressure is below the pressure reducing valve (PRV) setting, the pump will start. The pump will run until the system is pressurized to the PRV setting. The pump may cycle rapidly.
4. If a higher system pressure is required, adjust the PRV to the desired value as follows:

- A) Close the isolation valve.
- B) Loosen the lock nut.

C) Turn the screw clockwise until the gauge displays the desired pressure.

D) Hold the screw and tighten the lock nut.

(The standard system feeder PRV can be adjusted to 60 PSI.)

5. To get to a lower pressure, open the security valve and let the pressure go down below the desired pressure. From there, follow the steps stated in #4.

# MAINTENANCE

The GMP requires no scheduled maintenance.

## → System pressure is below set point.

POSSIBLE CAUSE	CORRECTIVE ACTION
System isolation valve closed.	Open the system isolation valve.
System is unplugged.	Plug the system in the wall outlet.
No power to the system.	Verify that the wall outlet has power.
Low liquid level in the tank. Float has stopped the system.	Add fluid. Find the source of the leak and repair.
Pressure reducing valve out of adjustment.	Adjust the PRV.
Control piggyback float not operating properly.	Verify operation of float. Ensure that the float moves freely.
Defective pressure gauge.	Check pressure using another gauge. Replace defective gauge.
Pump motor failure.	Replace pump.

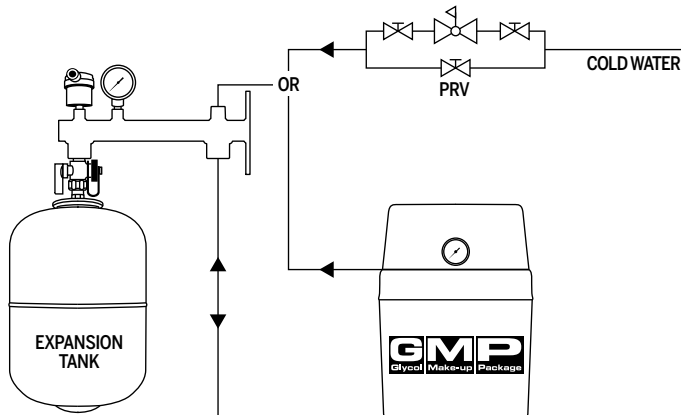
## → Pump does not prime.

POSSIBLE CAUSE	CORRECTIVE ACTION
External check valve or regulator installed between system and feeder.	Remove the check valve or regulator.
Pump is air locked.	Bleed the supply line.

## → Pump cycles continuously.

POSSIBLE CAUSE	CORRECTIVE ACTION
Air is being removed from the system and replaced with liquid.	Allow sufficient time for air removal. The pump will stop operating when air is removed.
External check valve or regulator installed between system and feeder.	Remove the check valve or regulator.
Control level piggyback float switch is not stopping the pump.	Ensure that the float is operating properly and that it is not held in the closed position (floating).
Leak in system.	Find source of the leak and repair.

# CONNECTION DIAGRAM



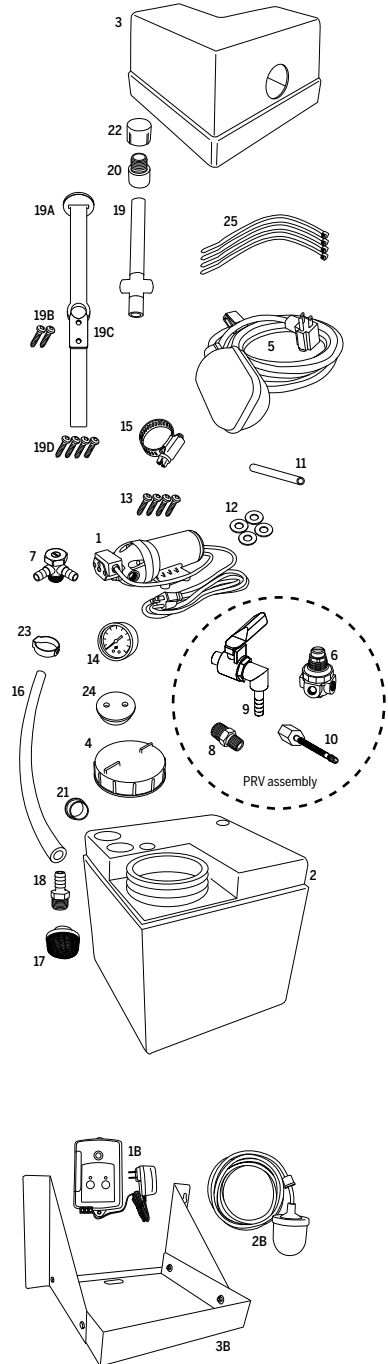
# GMP6-18 PARTS

REF.	DESCRIPTION	PART #
1	Pump	GMP-PUMP
2	Tank	GMP-TANK-6*
2	Tank	GMP-TANK-18**
3	Gray cover	GMPCOVER
4	Cap	GMP-LID
5	Piggyback float switch	GMPDOSER
6	Pressure reducing valve	GMP-BRASSPRV***
7	3/8" MNPT x barbed x barbed fitting	GMP3WAY
8	Fitting 3/8" MNPT x 1/4" MNPT	GMP5052***
9	1/8" MNPT x 1/4" barbed valve	GMP1103***
10	4 1/2" Rigid black hose	XASBH4.5***
11	1/4" x 3" Clear hose	GMP3606
12	Washer	GMPW146**
13	1" Stainless steel screw	GMPSCREW-10**
13	3/4" Stainless steel screws	GMP1112S1*
14	Pressure gage	Gauge0-100BACK
15	Gear clamp	GMPCLAMP**
16	3/8" x 11 1/2" Hose	GMPFILLING-HOSE*
16	3/8" x 36" Hose	GMPFILLING-HOSE**
17	Strainer	GMP-STRAINER
18	Barbed x threaded fitting for strainer	GMP125-6C
19A	PVC Tree	GMP125-6C
19B	1/2" Stainless steel screws	GMP-VISTREEPLATE*
19C	Stainless Steel Plate	GMP-SSPLATE*
19D	1/2" Stainless steel screws	GMP-VISTREE*
19	1/2" PVC cross fitting	PVC4012CR**
19	1/2" ø x 33 1/4" Pipe	PVC401210NP**
20	1/2" Male adaptor	GMP12AM**
21	1" Black shutter	APHP013A
22	1/2" MNPT Cap	GMPCAP**
23	1/2" Clip	GMPCLAMP2
24	Grommet	GMP-GROMMET
25	8" Nylon clip	TW6**

## OPTIONS

1B	Remote alarm panel c/w 9V battery	GMPAL
+2B		
2B	Remote alarm float/Dry contact	GMPDC
3B	Wall mounting shelf	GMP6WMS

\*GMP6 part only. \*\*GMP18 part only. \*\*\*PRV assembly.

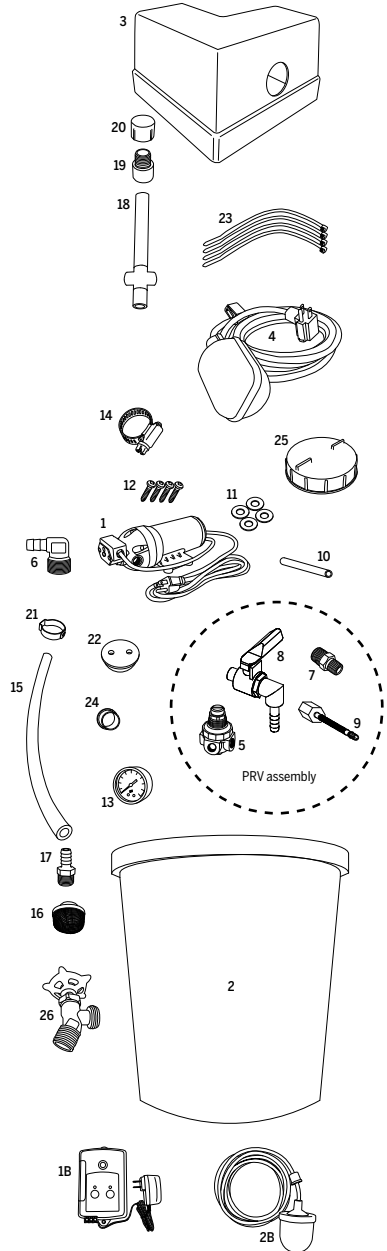


# GMPLC55-LC100 PARTS

REF.	DESCRIPTION	PART #
1	Pump	GMP-PUMP
2	Tank	GMP-TANK-55*
2	Tank	GMP-TANK-100**
3	Gray cover	GMPCOVER
4	Piggyback float switch	GMPDOSER
5	Pressure reducing valve	GMP-BRASSPRV***
6	3/8" brass elbow MNPT x Barb	GMP1396C
7	Fitting 3/8" MNPT x 1/4" MNPT	GMP5052***
8	1/8" MNPT x 1/4" barbed valve	GMP1103***
9	4 1/2" Rigid black hose	XASBH4.5***
10	1/4" x 3" Clear hose	GMP3606
11	Washer	GMPW146
12	1" Stainless steel screw	GMPSCREW-10
13	Pressure gage	GAUGE0-100BACK
14	Gear clamp	GMPCLAMP
15	3/8" x 46" Hose	GMPFILLING-HOSE*
15	3/8" x 57" Hose	GMPFILLING-HOSE**
16	Strainer	GMP-STRAINER
17	Barbed x threaded fitting for strainer	GMP125-6C
18	1/2" PVC cross fitting	PVC4012CR
18	1/2" ø x 42" Pipe	PVC401210NP*
18	1/2" ø x 53 1/4" Pipe	PVC401210NP**
19	1/2" Male adaptor	GMP12AM
20	1/2" MNPT Cap	GMPCAP
21	1/2" clip	GMPCLAMP2
22	Grommet	GMP-GROMMET
23	6" Nylon clip	TW6
24	1" Black Shutter	APHPO13A
25	Cap	GMP-LID*
26	Bucket draining valve angle 1/2"	VALVEANGLE**

## OPTIONS

1B +2B	Remote alarm panel c/w 9V battery	GMPAL
2B	Remote alarm float/Dry contact	GMPDC



\*GMPLC55 part only. \*\*GMPLC100 part only. \*\*\*PRV assembly.

# WARRANTY

## 1 YEAR LIMITED WARRANTY ON GMP6-GMP18-GMPLC55-GMPLC100 FROM THE DATE OF PURCHASE OR 6 MONTHS AFTER FABRICATION DATE.

Calefactio Solutions Inc. warrants to the original purchaser ONLY that the products subject to this sale, are free of material and workmanship defects, and conform to the specifications published by Calefactio Solutions Inc.

This warranty is only valid if the product is installed and used under normal working conditions, and for the purpose for which it was intended, given the terms and conditions listed below. If the buyer does not provide protective storage, does not install or maintain the equipment according to manufacturer's instructions, this warranty will become NULL and VOID. In the event that the buyer discovers a material defect or notices malfunctioning from the products, they must immediately notify the installer/distributor/store from which the product was purchased, who will, in turn, notify Calefactio Solutions Inc. of the claim. Notifications for product malfunctions will not be received by Calefactio Solutions Inc. past the timeframe given for the warranty, which is determined, based on the date the product was manufactured.

If requested by the manufacturer, prior to attempting any repairs, defective products or parts thereof must be promptly returned to one of the manufacturer's warehouses, or sent to an authorized service representative, as indicated by the manufacturer. The manufacturer accepts no responsibility for loss or damage to the product(s) while in transit, nor will any warranty claim be considered unless the returned goods are received in the exact condition they were in prior to shipping. Claims for damage due to shipping are the sole responsibility of the customer and must be resolved by the customer directly with the shipping carrier. Repaired or replacement products will be shipped to customer at FOB factory terms. The manufacturer warrants replacement parts for ninety (90) days or for the remainder of the warranty of the product that was repaired or replaced.

If a claim is deemed valid, the manufacturer's sole obligation under warranty shall be, at their own discretion, to repair or replace the defective product. NO cash refunds will be given. Calefactio Solutions Inc. reserves the right to correct the malfunctioning of the product by using new or used replacement parts. Such repairs will be performed at Calefactio Solutions Inc.'s expense. Calefactio Solutions Inc. will NOT accept any claims from the customer for labour costs associated with the removal or reinstallation of the product and/or part thereof. No claims will be accepted for returned items which show obvious signs of repairs, alterations, and/or other modifications (to the product or any of its parts thereof) effected without first obtaining written authorization from Calefactio Solutions Inc. In the event that Calefactio Solutions Inc. is unable to repair the product, Calefactio Solutions Inc. will provide the buyer with a replacement product. While replacing parts or replacing the product itself, Calefactio Solutions Inc. reserves the right to make changes in the design, construction or materials if it is deemed necessary to replace defective products with new models of the same equipment and/or upgrade the parts of any product judged to be defective.

Under the terms of this warranty, in no event shall the manufacturer be held responsible or liable for:

1. Consecutive, indirect or particular loss or damages. Such damages include, but are not limited to, loss of profits, loss of capital, loss of revenue or savings, loss resulting from the non-use of the product or of associated equipment, downtime, cost of substitute equipment, facilities or services, injuries, property damages or any claims of third parties (including the customer). Some states/provinces do not allow limitations or exclusions of indirect or consecutive damages; therefore this clause may not be applicable in certain cases.
2. Damages, defects or malfunctioning caused by a failure to install and maintain the product in accordance with the printed instructions that were included with the product.
3. Malfunction or damages due to abnormal conditions of use, accidents, mishandling, neglect or misuse of the product (i.e. using the product for purposes other than for which it was intended).
4. Loss, damage and/or labour costs incurred as a result of the improper installation or the installation of defective parts or inadequate repairs/service by others, using unauthorized attachments or modifications.
5. Damage caused by (including but not limited to) sand or abrasive materials, buildup of chemical products, mud, oily residues, acids, corrosion, mishandling or improper installation.
6. Damage caused by natural disasters such as fire, wind, earthquakes, and lightning.
7. Parts, components or products not manufactured by Calefactio Solutions Inc. but used in conjunction with the products that are subject of this sale.
8. Any abuse or misuse by the customer.

All repairs and/or services performed by manufacturer for reasons other than those covered under this warranty will be charged according to the manufacturer's current equipment, parts and service fees.

Returned products or parts will NOT be accepted if returned to manufacturer without obtaining approval prior to shipment.

The present warranty is the sole warranty of the manufacturer. Any other warranties express or implied in law or in fact, including but not limited to, warranties of merchantability or fitness for particular purpose, are hereby specifically disclaimed.

Some states/provinces do not allow limitations on the duration of implied warranties; therefore, this clause may not be applicable to you. This warranty extends ONLY to the original purchaser and is therefore not transferable.



**GMP**  
Glycol Make-up Package

**GMP6 / 18 / LC55 / LC100**

# INSTALACIÓN, FUNCIONAMIENTO Y MANTENIMIENTO

El GMP se puede utilizar con un sistema de calefacción o enfriamiento hidrónico. Sirve para mantener una presión definida en el interior del sistema. Se debe utilizar para poner el sistema bajo presión cuando esté en su temperatura más baja.



## Instrucciones de instalación

No instale un regulador de presión o una válvula antirretorno entre el GMP y el circuito cerrado.

Asegúrese de que la instalación esté equipada con una válvula aisladora para aislar el GMP.

GMP6/18/LC55/LC100:

**presión máxima de 412.8 kPa (60 PSI)**

Ajuste de fábrica 82.5 kPa (12 PSI)

## Verificación del funcionamiento

Es importante verificar el funcionamiento de cada componente antes de la conexión final de la unidad.

1. Asegúrese de que el depósito esté libre de suciedad.
2. Verifique el funcionamiento de la bomba.

A) Conecte la bomba directamente a una toma de pared.

3. Verifique el funcionamiento del conjunto bomba/flotante.

A) Asegúrese de que el eje flotante esté en posición vertical (90°) y que los flotantes puedan moverse libremente.

B) Levante manualmente cada flotante para asegurar el libre movimiento de la bola dentro del flotante.

4. Verifique el funcionamiento global de la unidad.

A) Conecte la unidad al sistema y cierre la válvula de aislamiento del mismo.

B) Inserte la ficha eléctrica de la bomba en la ficha del flotante (interruptor de puesta en marcha de la bomba) y luego en la toma de pared.

C) Llene el depósito con la solución glicol/agua. La concentración de glicol de la solución no debe superar el 50%.

D) Abra la válvula de circulación de la unidad (la bomba debe arrancar) para verificar el funcionamiento de la bomba.

E) Cierre la válvula de circulación de la unidad y abra la válvula de aislamiento del sistema.

## PUESTA EN MARCHA DEL SISTEMA

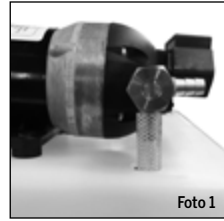
1. Instale el GMP sobre una superficie plana y firme. También puede optar por el soporte de montaje de pared opcional (#GMP6WMS para GMP6 solamente).

2. Llene el depósito del GMP respetando la cantidad recomendada para su sistema.



## Utilización de un depósito independiente para el llenado (GMP6 Y GMP18 SOLAMENTE)

Los GMP6 y GMP18 están equipados de una válvula de tres vías permitiendo el llenado fácil del sistema (**foto 1**).



A) Llenar el depósito del GMP de una cantidad suficiente de solución para activar la bomba (3.5 US Gal/13 L).

B) Con la ayuda de un destornillador plano, gire la válvula de un cuarto de tour en el sentido de las agujas de un reloj, a fin que la ranura apunte hacia el depósito de llenado independiente (**foto 2**).

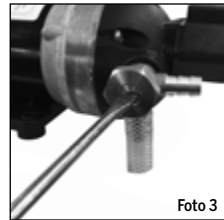


C) Instale el tubo en la valvula hacia el deposito de solución independiente. **ATENCION:** La bomba se auto-arma a 8 piesd. Es importante no pasar esta dictancia si se quiere utilizar el GMP para llenar el sistema. Se recomienda utilizar el conjunto de llenado de Calefactio (#GMPFILLINGKIT).

D) Inserte el enchufe de la bomba en el enchufe del interruptor del flotador de control combinado (piggyback) luego en el enchufe mural.

E) La bomba del GMP llenará el sistema y se detendrá. Cuando se detenga, desenchufe el GMP del enchufe mural.

F) Ponga la valvula en posicion < sistema > (**foto 3**), retire el tubo unido al depósito independiente y el GMP.



G) Reconecte el GMP en el enchufe mural.

H) Finalise el llenado llevando el sistema a la presión requerida con la ayuda de la solución actual en el depósito del GMP. Llénelo manualmente en caso necesario.

**ABRA LA VÁLVULA AISLADORA DE LA INSTALACIÓN, INSERTE LA FICHA ELÉCTRICA DE LA BOMBA EN LA FICHA DEL INTERRUPTOR DE FLOTADOR DE CONTROL COMBINADO (PIGGYBACK) Y LUEGO EN LA TOMA DE PARED.**

**NOTA:** El manómetro acoplado al sistema auxiliar puede indicar una presión diferente de la indicada en un manómetro instalado en otro punto del sistema. La diferencia se puede explicar por variaciones en la calibración o por variaciones en las alturas de elevación, y puede ser normal.

3. Si la presión en el sistema es menor que el valor de ajuste del reductor de presión, la bomba se pondrá en marcha. La bomba continuará funcionando hasta que la presión del sistema alcance el valor de ajuste del reductor de presión. Los ciclos de la bomba se pueden acelerar.

4. Si es necesario que la presión en el sistema sea mayor, ajuste la válvula reductora de presión al valor requerido, de la siguiente manera:

- A) Desenrosque la tuerca autoblocante.
- B) Gire el tornillo en el sentido de las agujas del reloj hasta que el manómetro indique la presión deseada.
- C) Sostenga el tornillo en posición y apriete la tuerca autoblocante. El reductor de presión estándar del sistema auxiliar se puede ajustar hasta una presión de 60 PSI.
- D) Atornille la tuerca de seguridad. (Se puede ajustar el alimentador PRV a 60 PSI.)

5. Para obtener una presión menor, abra la válvula de seguridad y deje que la presión descienda por debajo del nivel de presión deseada. Repita los pasos del punto 4.

# MANTENIMIENTO

El GMP no requiere mantenimiento programado.

## → La presión de instalación se sitúa por debajo del valor de ajuste.

CAUSA POSIBLE	ACCIÓN CORRECTIVA
La válvula aisladora del sistema está cerrada.	Abra la válvula aisladora.
El sistema auxiliar no está conectado.	Conecte el sistema a una toma de pared.
El sistema auxiliar no está alimentado.	Verifique si la toma de pared cuenta con alimentación eléctrica.
El nivel del depósito es bajo. El interruptor de flotador ha apagado el sistema.	Agregue líquido. Encuentre la fuente de fuga y repárela.
El reductor de presión está mal ajustado.	Ajuste el reductor de presión (etapa 4 de la puesta en marcha).
El interruptor de flotador de control de nivel combinado (piggyback) no funciona correctamente.	Verifique si el interruptor de flotador de control de nivel combinado (piggyback) funciona correctamente. Asegúrese de que se mueva libremente.
El manómetro es defectuoso.	Verifique la presión con otro manómetro. Reemplace el manómetro defectuoso.
El motor de la bomba no está funcionando.	Reemplace la bomba.

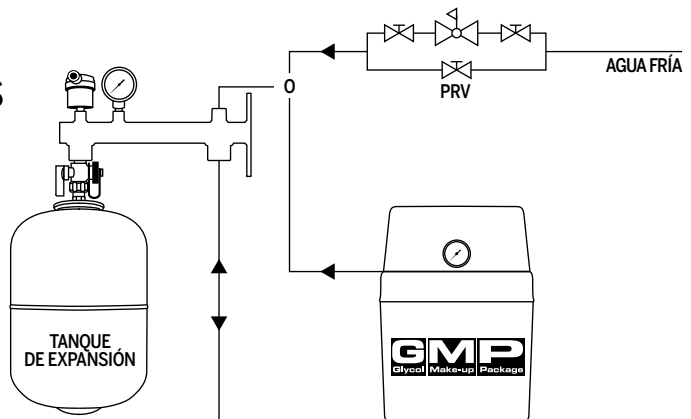
## → La bomba no se autoceba.

CAUSA POSIBLE	ACCIÓN CORRECTIVA
Se ha instalado una válvula antirretorno externa o un regulador de presión entre el sistema y el GMP.	Retire la válvula antirretorno o el regulador de presión.
Se ha formado una bolsa de aire en la bomba.	Purgue el conducto de alimentación.

## → La bomba cicla continuamente.

CAUSA POSIBLE	ACCIÓN CORRECTIVA
El aire es expulsado del sistema para ser sustituido por líquido.	Deje transcurrir el tiempo necesario para que se expulse el aire. La bomba deja de funcionar cuando se purga todo el aire.
Se ha instalado una válvula antirretorno externa o un regulador de presión entre el sistema y el GMP.	Retire la válvula antirretorno o el regulador de presión.
El interruptor de flotador de control de nivel combinado (piggyback) no apaga la bomba.	Asegúrese de que el interruptor de flotador de nivel combinado funcione correctamente y no se mantenga en posición cerrada (flotante).
El sistema tiene una fuga.	Encuentre la fuente de fuga y repárela.

## ESQUEMA DE CONEXIONES



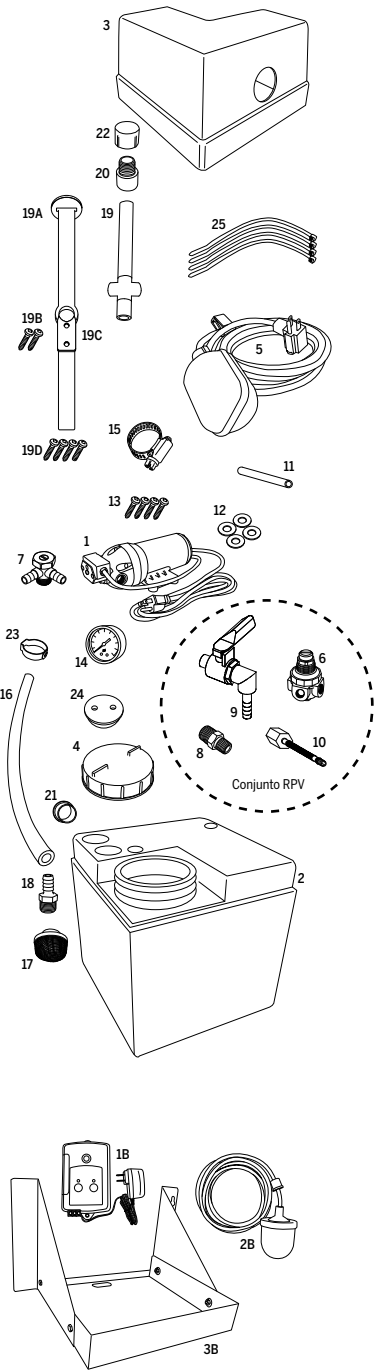
# PIEZAS GMP6-18

REF.	DESCRIPCIÓN	Nº PIEZA
1	Bomba	GMP-PUMP
2	Depósito	GMP-TANK-6*
2	Depósito	GMP-TANK-18**
3	Tapa gris	GMPCOVER
4	Tapón	GMP-LID
5	Interruptor con ficha	GMPDOSER
6	Válvula de regulación de presión	GMP-BRASSPRV***
7	Empalme 3/8 pulg. MNPT × acanalado × acanalado	GMP3WAY
8	Empalme 3/8 pulg. MNPT × 1/4 pulg. acanalado	GMP5052***
9	Válvula 1/8 pulg. MNPT × 1/4 pulg. acanalada	GMP1103***
10	Manguera reforzada negra 4 1/2 pulg.	XASBH4.5***
11	Manguera clara 1/4 pulg. × 3 pulg.	GMP3606
12	Arandela	GMPW146**
13	Tornillo 1 pulg. de acero inoxidable	GMPSCREW-10**
13	Tornillo 3/4 pulg. de acero inoxidable	GMPT1112S1*
14	Manómetro	Gauge0-100BACK
15	Abrazadera de apriete con tornillo sin fin	GMPCLAMP**
16	Manguera 3/8 pulg. × 11 1/2 pulg.	GMPFILLING-HOSE*
16	Manguera 3/8 pulg. × 36 pulg.	GMPFILLING-HOSE**
17	Tamiz	GMP-STRAINER
18	Empalme acanalado × fileteado para tamiz	GMP125-6C
19A	Árbol en PVC	GMPTREE*
19B	Tornillos 1/2" de acero inoxidable	GMP-VISTREEPLATE*
19C	Placa en acero inoxidable	GMP-SSPLATE*
19D	Tornillos 1/2" de acero inoxidable	GMP-VISTREE*
19	Unión cruz de PVC 1/2 pulg.	PVC4012CR**
19	Tubo 1/2 pulg. × 33 1/4 pulg.	PVC401210NP**
20	Adaptador macho 1/2 pulg.	GMP12AM**
21	Obturador negro 1 pulg.	APHP013A
22	Tapón 1/2 pulg. MNPT	GMPCAP**
23	Lazo 1/2 pulg.	GMPCLAMP2
24	Pasacable	GMP-GROMMET
25	Lazo de nailon 8 pulg.	TW6**

### OPTIONS

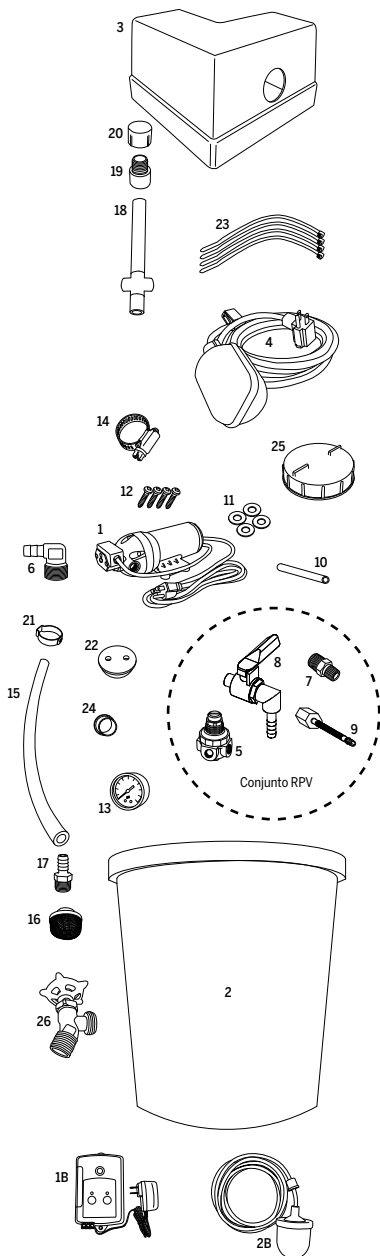
1B	Panel de alarma a distancia C/A pila 9 V	GMPAL
+2B		
2B	Interruptor de nivel/contacto seco	GMPDC
3B	Soporte de montaje de pared	GMP6WMS

\*Pieza GMP6 solamente. \*\*Pieza GMP18 solamente. \*\*\*Conjunto RPV.



# PIEZAS GMPLC55-LC100

REF.	DESCRIPCIÓN	Nº PIEZA
1	Bomba	GMP-PUMP
2	Depósito	GMP-TANK-55*
2	Depósito	GMP-TANK-100**
3	Tapa gris	GMPCOVER
4	Interruptor con ficha	GMPDOSER
5	Válvula de regulación de presión	GMP-BRASSPRV***
6	Empalme 3/8" latón MNPT × acanalado	GMP1396C
7	Empalme 3/8 pulg. MNPT × 1/4 pulg. acanalado	GMP5052***
8	Válvula 1/8 pulg. MNPT × 1/4 pulg. acanalada	GMP1103***
9	Manguera reforzada negra 4 1/2 pulg.	XASBH4.5***
10	Manguera clara 1/4 pulg. × 3 pulg.	GMP3606
11	Arandela	GMPW146
12	Tornillo 1 pulg. de acero inoxidable	GMPSCREW-10
13	Manómetro	GAUGE0-100BACK
14	Abrazadera de apriete con tornillo sin fin	GMPCLAMP
15	Manguera 3/8 pulg. × 46 pulg.	GMPFILLING-HOSE*
15	Manguera 3/8 pulg. × 57 pulg.	GMPFILLING-HOSE**
16	Tamiz	GMP-STRAINER
17	Empalme acanalado × fileteado para tamiz	GMP125-6C
18	Unión cruz de PVC 1/2 pulg.	PVC4012CR
18	Tubo 1/2 pulg. ø × 42 pulg.	PVC401210NP*
18	Tubo 1/2 pulg. ø × 53 1/4 pulg.	PVC401210NP**
19	Adaptador macho 1/2 pulg.	GMP12AM
20	Tapón 1/2 pulg. MNPT	GMPCAP
21	Lazo 1/2 pulg.	GMPCLAMP2
22	Pasacable	GMP-GROMMET
23	Lazo de nailon 6 pulg.	TW6
24	Obturador negro 1 pulg.	APHP013A
25	Tapón	GMP-LID*
26	Valvula de drenaje de caldera en ángulo 1/2"	VALVEANGLE**



## OPCIONES

1B	Panel de alarma a distancia C/A pila 9V +2B	GMPAL
2B	Interruptor de nivel/contacto seco	GMPDC

\*Pieza GMPLC55 solamente. \*\*Pieza GMPLC100 solamente. \*\*\*Conjunto RPV.

# GARANTÍA

## GARANTÍA LIMITADA DE UN (1) AÑO PARA LOS MODELOS GMP6-GMP18-GMPLC55-GMPLC100 A PARTIR DE LA FECHA DE COMPRA, O BIEN SEIS (6) MESES DESPUÉS DE LA FECHA DE FABRICACIÓN

Calefactio Solutions inc. garantiza al comprador original que los productos objeto de esta venta, están libres de defectos materiales, mano de obra, y se ajustan a las especificaciones publicadas por Calefactio Solutions inc.

Esta garantía sólo es válida si el producto se instala y se usa en condiciones normales de funcionamiento, y para el propósito con el que fue concebido, teniendo en cuenta los términos y condiciones que se enumeran a continuación. Si el comprador no proporciona protección de almacenamiento, no instalar o mantiene el equipo de acuerdo a las instrucciones del fabricante, esta garantía será nula y sin algún efecto. En el caso de que el comprador encuentra un defecto material o note un mal funcionamiento de los productos, el/ella debe notificar inmediatamente al instalador/distribuidor/tienda donde se compró el producto, que, a su vez, notificará a Calefactio Solutions inc. de la reclamación. Notificaciones de mal funcionamiento del producto no serán recibidas por Calefactio Solutions inc. pasado el plazo dado para la garantía, la cual es determinada, basada en la fecha de fabricación del producto.

Si lo solicita el fabricante, antes de intentar cualquier reparación, productos defectuosos o partes de los mismos deben ser devueltos inmediatamente a uno de los almacenes del fabricante, o enviados a un centro de servicio autorizado, según lo indicado por el fabricante. El fabricante no acepta ninguna responsabilidad por pérdidas o daños en el producto (s) en tránsito, ni se considerará ningún reclamo de garantía a no ser que se reciban las mercancías vueltas en la condición exacta que eran antes del envío. Las reclamaciones por daños debido al envío son de responsabilidad exclusiva de los clientes y deben ser resueltos por el cliente directamente con la empresa de transporte. Productos reparados o sustituidos serán enviados a la atención al cliente en los términos FOB de fábrica. El fabricante garantiza las piezas de repuesto durante noventa (90) días o por la garantía restante del producto que fue reparado o reemplazado.

Si la reclamación es considerada, la única obligación del fabricante bajo la garantía será, a su propia discreción, de reparar o reemplazar el producto defectuoso. No se dará ningún reembolso de efectivo. Calefactio Solutions inc. se reserva el derecho de corregir el mal funcionamiento del producto usando repuestos nuevos o usados. Estas reparaciones se llevarán a cabo a expensas de Calefactio Solutions inc. Calefactio Solutions inc. no aceptará ninguna reclamación por parte del cliente para los gastos de mano de obra asociados con la desinstalación o reinstalación del producto y/o parte del mismo. No se aceptarán reclamos por los artículos devueltos que muestran signos evidentes de reparaciones, alteraciones, y/u otras modificaciones (en el producto o cualquiera de sus partes) realizadas sin obtener primero la autorización por escrito de Calefactio Solutions inc. En el caso de que Calefactio Solutions inc. no puede reparar el producto, Calefactio Solutions inc. proporcionará al comprador un producto de reemplazo. Al reemplazar las piezas o reemplazar el producto en sí, Calefactio Solutions inc. se reserva el derecho de realizar cambios en el diseño, la construcción o los materiales si se considera necesario sustituir los productos defectuosos con nuevos modelos de un mismo equipo y/o actualizar las partes de cualquier producto juzgado como defectuoso.

Bajo los términos de esta garantía, en ningún caso, el fabricante se hará responsable de:

1. Consecutiva, indirecta o pérdidas particulares o daños. Tales daños deben incluir, pero no están limitados a, pérdida de ganancias, pérdida de capital o ahorros, pérdida de ingresos, la pérdida resultante por el no uso de los productos y de los equipos asociados, tiempo de inactividad, el costo de reemplazo del equipo, las instalaciones o los servicios, lesiones, daños a la propiedad o cualquier reclamación de terceros (incluido el cliente). Algunos estados/provincias no permiten limitaciones o exclusiones de daños indirectos o consecutivos, por lo que esta cláusula puede no ser aplicable a su caso.
2. Daños, defectos o mal funcionamiento causado por una falla en la instalación y mantenimiento del producto de acuerdo con las instrucciones impresas que fueron incluidas con el producto.
3. Mal funcionamiento o daños debido a condiciones anormales de uso, accidentes, mala manipulación, negligencia o mal uso del producto (es decir, la utilización del producto para fines distintos para los que fue destinado).
4. Pérdida, daños y/o costes de mano de obra incurridos como resultado de una instalación incorrecta o la instalación de piezas defectuosas o inadecuadas reparaciones/servicios por otros, utilizando modificaciones o accesorios no autorizados.
5. Los daños causados por (incluyendo pero no limitado a) materiales o partículas abrasivas, acumulación de productos químicos, lodo, residuos de hidrocarburos, ácidos, corrosión, mala manipulación o instalación inadecuada.
6. Los daños causados por desastres naturales tales como incendios, viento, terremotos y relámpagos.
7. Las piezas, componentes o productos no fabricados por Calefactio Solutions inc., pero utilizados conjuntamente con los productos que son objeto de esta venta.
8. Cualquier abuso o mal uso por parte del cliente.

Todas las reparaciones y/o servicios realizados por el fabricante, por razones distintas de las cubiertas por esta garantía se cobrarán de acuerdo a los equipos actuales del fabricante, componentes y cargos por servicio.

El retorno de piezas o productos no serán aceptados si son devueltos al fabricante sin la previa obtención de la aprobación para su envío.

La presente garantía es la única garantía del fabricante. Cualquier otra garantía expresa o implícita en la ley o de hecho, incluyendo pero no limitando a, las garantías de comerciabilidad o aptitud para un propósito particular, son excluidas específicamente.

Algunos estados/provincias no permiten limitaciones en la duración de las garantías implícitas, por lo tanto, esta cláusula no puede ser aplicable para su caso.



**GMP**  
Système d'appoint au Glycol

**GMP6 / 18 / LC55 / LC100**

## INSTALLATION, FONCTIONNEMENT ET ENTRETIEN

Le GMP peut être utilisé avec une installation de chauffage ou de refroidissement hydronique. Il sert à maintenir une pression définie à l'intérieur de l'installation. Il doit servir à mettre le système sous pression lorsqu'il est à sa température la plus basse.



### Directives d'installation

Ne pas installer un régulateur de pression ou un clapet de non-retour entre le GMP et le circuit fermé.

Assurez-vous que l'installation est dotée d'un robinet d'isolement servant à isoler le GMP.

GMP6 / 18 / LC55 / LC100 :

**pression maximale 412.8 kPa (60 PSI)**

Réglage en usine à 82.5 kPa (12 PSI)

### Vérification du fonctionnement

Il est important de vérifier le fonctionnement de chaque composante avant le branchement final de l'unité.

1. Assurez-vous que le réservoir est exempt de saleté.
2. Vérifiez le fonctionnement de la pompe.
  - A) Branchez la pompe directement dans une prise murale.
3. Vérifiez le fonctionnement de l'ensemble pompe/flotte.
  - A) Assurez-vous que l'arbre à flotte est en position verticale (90°) et que les flottes peuvent bouger librement.
  - B) Soulevez manuellement chaque flotte pour vous assurer du libre mouvement de la bille à l'intérieur de la flotte.

4. Vérifiez le fonctionnement global de l'unité.

- A) Raccordez l'unité au système et fermez la valve d'isolement du système.
- B) Insérez la fiche électrique de la pompe dans la fiche de la flotte (interrupteur de mise en marche de la pompe), puis dans la prise murale.
- C) Remplissez le réservoir de la solution glycol/eau. La concentration en glycol de la solution ne doit pas dépasser 50 %.
- D) Ouvrez la valve de circulation de l'unité (la pompe devrait démarrer) afin de vérifier le fonctionnement de la pompe.
- E) Fermez la valve de circulation de l'unité et ouvrez la valve d'isolement du système.

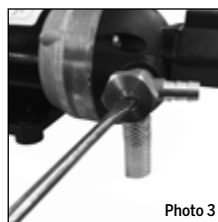
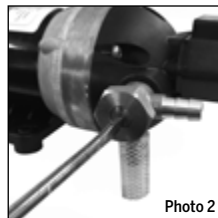
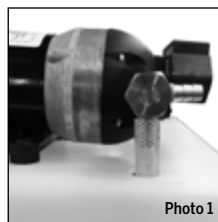
## MISE EN MARCHÉ DU SYSTÈME

1. Installez le GMP sur une surface plane et solide. Vous pouvez également opter pour le support de fixation mural offert en option (#GMP6WMS, pour GMP6 seulement).
2. Remplissez le système en respectant la quantité de solution minimale requise pour votre système.

## Utilisation d'un réservoir indépendant pour le remplissage (GMP6 et GMP18 SEULEMENT)

Les GMP6 et GMP18 sont équipés d'une valve à trois voies permettant le remplissage facile du système (**photo 1**).

- A) Remplir le réservoir du GMP d'une quantité suffisante de solution pour activer la flotte (3.5US Gal/13L).
- B) À l'aide d'un tournevis plat, tournez la valve d'un quart de tour dans le sens contraire des aiguilles d'une montre afin que la fente pointe vers le réservoir de remplissage indépendant (**photo 2**).
- C) Installez un boyau sur la valve vers le contenant de solution indépendant. **ATTENTION** : la pompe s'auto-amorçe à 8 pieds. Il est important de ne pas dépasser cette distance si l'on veut utiliser le GMP pour remplir le système. Il est recommandé d'utiliser l'ensemble de remplissage de Calefacto (#GMPFILLINGKIT).
- D) Insérez la fiche électrique de la pompe dans la fiche de l'interrupteur à flotteur de contrôle combiné (piggyback) puis dans la prise murale.
- E) La pompe du GMP remplira le système et s'arrêtera. Quand il s'arrêtera, débrancher le GMP de la prise murale.
- F) Replacer la valve en position « système » (**photo 3**) et retirez le boyau reliant le réservoir indépendant et le GMP.
- G) Rebrancher le GMP dans la prise murale.
- H) Finaliser le remplissage en amenant le système à la pression requise à l'aide de la solution présente dans le réservoir du GMP. Le remplir manuellement au besoin.



OUVREZ LE ROBINET D'ISOLEMENT DE L'INSTALLATION, INSÉREZ LA FICHE ÉLECTRIQUE DE LA POMPE DANS LA FICHE DE L'INTERRUPTEUR À FLOTTEUR DE CONTRÔLE COMBINÉ (PIGGYBACK) PUIS DANS LA PRISE MURALE.

**NOTE** : Le manomètre couplé au système d'appoint peut indiquer une pression différente de celle indiquée sur un manomètre installé à un autre point de l'installation. La différence peut s'expliquer par des variations de calibration ou par des variantes dans les hauteurs d'élévation et peut être normale.

3. Si la pression dans le système est inférieure à la valeur de consigne du réducteur de pression, la pompe se mettra en marche. La pompe continuera de fonctionner jusqu'à ce que la pression de l'installation atteigne la valeur de consigne du réducteur de pression. Les cycles de la pompe peuvent être accélérés.
4. S'il est nécessaire que la pression dans le système soit plus élevée, réglez le réducteur de pression à la valeur requise comme suit :

- A) Dévissez l'écrou autobloquant.
  - B) Tournez la vis dans le sens des aiguilles d'une montre jusqu'à ce que le manomètre indique la pression désirée.
  - C) Maintenez la vis en position et serrez l'écrou autobloquant. Le réducteur de pression standard du système d'appoint peut être réglé jusqu'à une pression de 60 PSI.
  - D) Bloquez la vis et serrez l'écrou de sûreté.
5. Pour obtenir une pression inférieure, ouvrez le robinet de sûreté et laissez descendre la pression sous le niveau de pression désirée. Refaire les étapes du point 4.

# ENTRETIEN

Le GMP ne requiert aucun entretien à intervalles fixes.

## → La pression de l'installation se situe sous la valeur de consigne.

CAUSE POSSIBLE	MESURE DE CORRECTION
Le robinet d'isolement du système est fermé.	Ouvrez le robinet d'isolement.
Le système d'appoint n'est pas branché.	Branchez le système à une prise murale.
Le système d'appoint n'est pas alimenté.	Vérifiez si la prise murale est alimentée en électricité.
Le niveau du réservoir est bas. L'interrupteur à flotteur a éteint le système.	Ajoutez du liquide. Trouvez la source de fuite et réparez.
Le réducteur de pression est mal réglé.	Réglez le réducteur de pression (Étape 4 de la mise en marche).
L'interrupteur à flotteur de contrôle de niveau combiné (piggyback) ne fonctionne pas correctement.	Vérifiez si l'interrupteur à flotteur de contrôle de niveau combiné (piggyback) fonctionne correctement. Assurez-vous qu'il bouge librement.
Le manomètre est défectueux.	Vérifiez la pression à l'aide d'un autre manomètre. Remplacez le manomètre défectueux.
Le moteur de la pompe est en panne.	Remplacez la pompe.

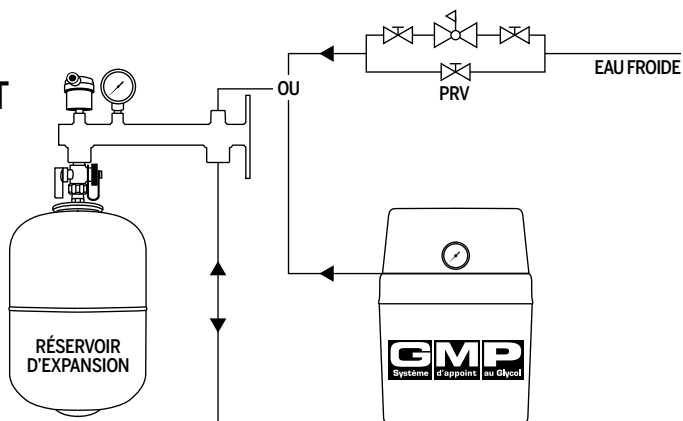
## → La pompe ne s'auto-amorce pas.

CAUSE POSSIBLE	MESURE DE CORRECTION
Un clapet de non-retour externe ou un régulateur de pression a été installé entre le système et le GMP.	Enlevez le clapet de non-retour ou le régulateur de pression.
Une poche d'air s'est formée dans la pompe.	Purgez la conduite d'alimentation.

## → La pompe cycle continuellement.

CAUSE POSSIBLE	MESURE DE CORRECTION
De l'air est expulsé de l'installation pour être remplacé par du liquide.	Laissez le temps nécessaire pour que l'air soit expulsé. La pompe cesse de fonctionner lorsque tout l'air est purgé.
Un clapet de non-retour externe ou un régulateur de pression a été installé entre le système et le GMP.	Enlevez le clapet de non-retour ou le régulateur de pression.
L'interrupteur à flotteur de contrôle de niveau combiné (piggyback) n'éteint pas la pompe.	Assurez-vous que l'interrupteur à flotteur de niveau combiné fonctionne correctement et qu'il n'est pas maintenu en position fermée (flottaison).
Le système a une fuite.	Trouvez la source de la fuite et réparez.

## SCHÉMA DE RACCORDEMENT





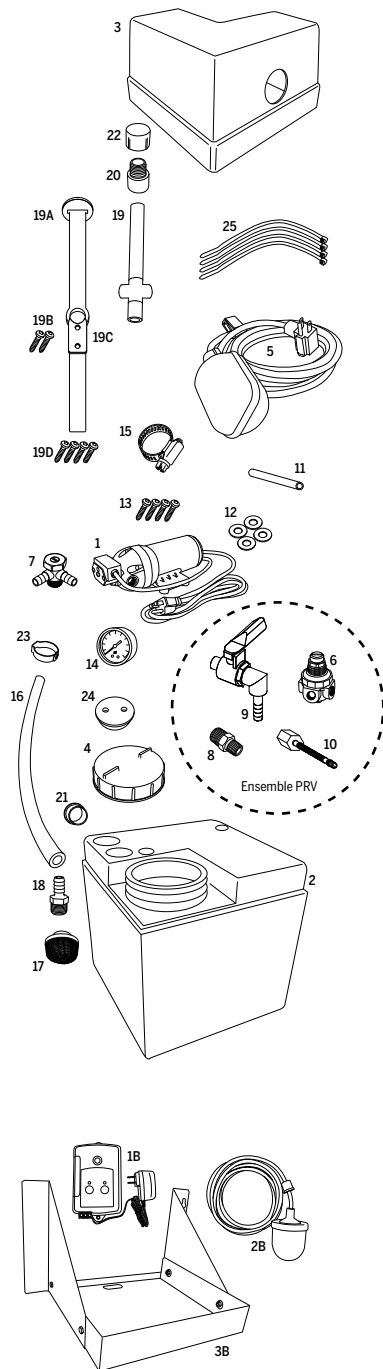
# GMP6-18 PIÈCES

RÉF.	DESCRIPTION	No DE PIÈCE
1	Pompe	GMP-PUMP
2	Réservoir	GMP-TANK-6*
2	Réservoir	GMP-TANK-18**
3	Couvercle gris	GMPCOVER
4	Bouchon	GMP-LID
5	Interrupteur avec fiche	GMPDOSER
6	Soupape de régulation de pression	GMP-BRASSPRV***
7	Raccord 3/8" MNPT × cannelé × cannelé	GMP3WAY
8	Raccord 3/8" MNPT × 1/4" MNPT	GMP5052***
9	Valve 1/8" MNPT × 1/4" × cannelé	GMP1103***
10	Boyau renforcé noir 4 1/2"	XASBH4.5***
11	Boyau clair 1/4" × 3"	GMP3606
12	Rondelle	GMPW146**
13	Vis 1" en acier inoxydable	GMPSCREW-10**
13	Vis 3/4" acier inoxydable	GMPT1112S1*
14	Manomètre	Gauge0-100BACK
15	Collier de serrage à vis sans fin	GMPCLAMP**
16	Boyau 3/8" × 11 1/2"	GMPFILLING-HOSE*
16	Boyau 3/8" × 36"	GMPFILLING-HOSE**
17	Tamis	GMP-STRAINER
18	Raccord cannelé × fileté pour tamis	GMP125-6C
19A	Arbre en PVC	GMPTREE*
19B	Vis 1/2" en acier inoxydable	GMP-VISTREEPLATE*
19C	Plaque en acier inoxydable	GMP-SSPLATE*
19D	Vis 1/2" en acier inoxydable	GMP-VISTREE*
19	Union en croix de PVC 1/2"	PVC4012CR**
19	Tuyau 1/2" ø × 33 1/4"	PVC401210NP**
20	Adaptateur mâle 1/2"	GMP12AM**
21	Obturbateur noir 1"	APHP013A
22	Bouchon 1/2" MNPT	GMPCAP**
23	Attache 1/2"	GMPCLAMP2
24	Passe-fil	GMP-GROMMET
25	Attache de nylon 6"	TW6**

## OPTIONS

1B	Panneau d'alarme à distance c/a pile 9V	GMPAL
+2B		
2B	Interrupteur de niveau/contact sec	GMPDC
3B	Support de montage mural	GMP6WMS

\*GMP6 pièce seulement. \*\*GMP18 pièce seulement. \*\*\*Ensemble PRV.

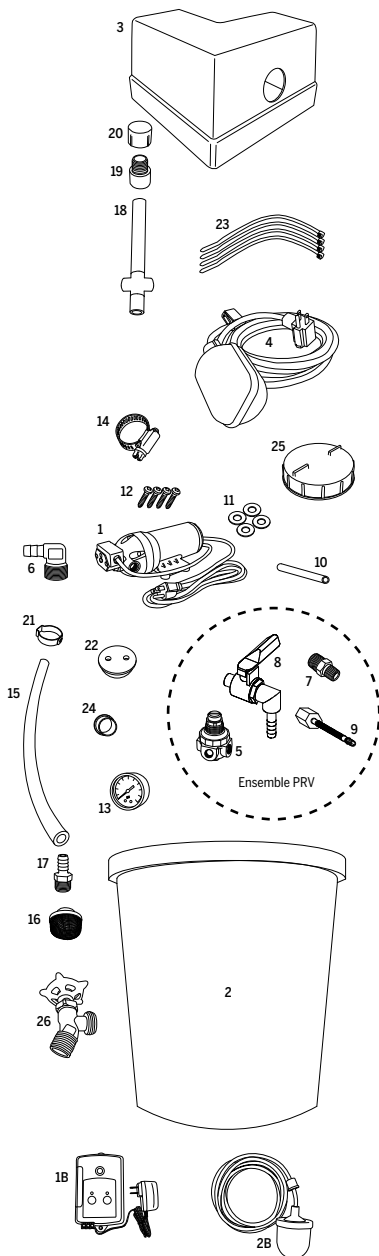


# GMPLC55-LC100 PIÈCES

RÉF.	DESCRIPTION	No DE PIÈCE
1	Pompe	GMP-PUMP
2	Réservoir	GMP-TANK-55*
2	Réservoir	GMP-TANK-100**
3	Couvercle gris	GMPCOVER
4	Interrupteur avec fiche	GMPDOSER
5	Soupape de régulation de pression	GMP-BRASSPRV***
6	Coude 3/8" laiton MNPT × cannelé	GMP1396C
7	Raccord 3/8" MNPT × 1/4" MNPT	GMP5052***
8	Valve 1/8" MNPT × 1/4" cannelé	GMP1103***
9	Boyau renforcé noir 4 1/2"	XASBH4.5***
10	Boyau clair 1/4" × 3"	GMP3606
11	Rondelle	GMPW146
12	Vis 1" en acier inoxydable	GMPSCREW-10
13	Manomètre	GAUGE0-100BACK
14	Collier de serrage à vis sans fin	GMPCLAMP
15	Boyau 3/8" × 46"	GMPFILLING-HOSE*
15	Boyau 3/8" × 57"	GMPFILLING-HOSE**
16	Tamis	GMP-STRAINER
17	Raccord cannelé × fileté pour tamis	GMP125-6C
18	Union en croix de PVC 1/2"	PVC4012CR
18	Tuyau 1/2" ø × 42"	PVC401210NP*
18	Tuyau 1/2" ø × 53 1/4"	PVC401210NP**
19	Adaptateur mâle 1/2"	GMP12AM
20	Bouchon 1/2" MNPT	GMPCAP
21	Attache 1/2"	GMPCLAMP2
22	Passe-fil	GMP-GROMMET
23	Attache de nylon 6"	TW6
24	Obturateur noir 1"	APHPO13A
25	Bouchon	GMP-LID*
26	Valve de vidange chaudière angle 1/2"	VALVEANGLE**

## OPTIONS

1B	Panneau d'alarme à distance c/a pile 9V GMPAL +2B	
2B	Interrupteur de niveau/contact sec	GMPDC



\*GMPLC55 pièce seulement. \*\*GMPLC100 pièce seulement. \*\*\*Ensemble PRV.

# GARANTIE

## GARANTIE LIMITÉE D'UN AN SUR LES MODÈLES GMP6-GMP18-GMPLC55-GMPLC100 À PARTIR DE LA DATE D'ACHAT OU 6 MOIS APRÈS LA DATE DE FABRICATION.

Les Solutions Calefactio inc. garantit au SEUL acheteur initial que le produit qui lui a été vendu est exempt de tout défaut de fabrication et de matériel et qu'il est conforme aux spécifications publiées par Les Solutions Calefactio inc. La présente garantie n'est valable que si l'installation et l'utilisation du produit respectent des conditions normales d'utilisation et que le produit sert aux fins pour lesquelles il a été conçu, sous réserve des conditions énoncées ci-dessous. Si l'acheteur ne protège pas le produit, s'il ne l'installe et ne l'utilise pas selon les consignes du fabricant, la présente garantie sera frappée de nullité.

Si l'acheteur décèle un défaut de matériel ou remarque une défaillance du produit, cette personne doit immédiatement en aviser l'installateur, le distributeur ou le magasin auprès duquel le produit a été acheté. Les Solutions Calefactio inc. sera ensuite avisée de la réclamation par l'un d'eux. Les Solutions Calefactio inc. n'accepte aucun avis de défaillance d'un produit une fois qu'est écoulée la période garantie. À la demande du fabricant, et avant de tenter de réparer le produit ou une pièce qui en fait partie, il faut retourner le produit ou la pièce rapidement à l'un des entrepôts du fabricant ou à un représentant de service autorisé, selon les indications du fabricant. Le fabricant n'est nullement responsable de la perte du produit en cours de transport ou des dommages subis. De plus, aucune réclamation en vertu de la garantie ne sera acceptée à moins que le produit retourné ne soit dans le même état qu'avant son expédition. Les réclamations liées aux dommages subis pendant le transport relèvent de la seule responsabilité du client et celui-ci doit s'adresser directement à l'entreprise de transport. Les produits réparés ou remplacés seront expédiés aux clients aux conditions de transport du fabricant. Le fabricant garantit les pièces de rechange quarante-dix (90) jours ou pendant la durée résiduelle de la garantie applicable au produit réparé.

Si la réclamation est fondée, la seule obligation du fabricant en vertu de la présente garantie consiste, à son gré, à réparer ou à remplacer le produit défectueux. Aucun remboursement ne sera accordé. Les Solutions Calefactio inc. se réserve le droit de corriger la défaillance du produit en utilisant des pièces de rechange neuves ou usagées. Les réparations seront exécutées aux frais de Les Solutions Calefactio inc. Les Solutions Calefactio inc. REFUSERA toute demande de remboursement formulée par un client à l'égard des frais engagés pour le retrait ou la réinstallation du produit ou de l'une des pièces du produit. Aucun produit retourné – ni aucune pièce faisant partie du produit – montrant des signes évidents d'une réparation, d'une altération ou de toute autre modification effectuée sans l'autorisation écrite préalable de Les Solutions Calefactio inc. ne sera accepté. Si Les Solutions Calefactio inc. n'est pas en mesure de réparer le produit, elle fournira au client un produit de rechange. Au cours du remplacement des pièces ou du produit lui-même, Les Solutions Calefactio inc. se réserve le droit de modifier la conception, la construction ou les matériaux si elle juge nécessaire de remplacer le produit défectueux par un nouveau modèle équivalent ou de mettre à niveau les pièces d'un produit défectueux.

En vertu des dispositions de la présente garantie, le fabricant ne peut en aucun cas être tenu responsable dans les cas qui suivent :

**1.** Des pertes ou des dommages consécutifs, indirects, accessoires ou particuliers. Lesdits dommages comprennent, mais sans restreindre la portée générale de ce qui suit, les pertes de

bénéfices, la perte de capitaux, la perte de revenus ou d'économies, la perte résultant de la non-utilisation du produit ou de l'équipement affectant, le temps d'arrêt, le coût de l'équipement, de lieux ou des services de remplacement, les blessures, les dommages matériels ou les réclamations formulées par des tiers (y compris le client). Dans certaines provinces ou certains États, il est interdit d'exclure les dommages consécutifs ou indirects, la présente disposition ne peut donc pas s'appliquer dans ce cas ;

**2.** Des dommages, des défauts ou des défaillances résultant d'une installation ou d'un entretien qui ne respectent pas les consignes imprimées accompagnant le produit ;

**3.** Des défaillances ou des dommages résultant des conditions d'utilisation anormales, d'un accident d'une mauvaise manipulation, d'une négligence ou d'un mauvais usage du produit (soit d'utiliser le produit pour des fins autres que celles pour lesquelles il a été conçu) ;

**4.** Les pertes, les dommages et les frais de main d'œuvre engagés par le client en raison de l'installation de mauvaises pièces ou de pièces défectueuses, de travaux de réparation ou d'entretien inadéquats réalisés par des tiers ou de l'apport non autorisé d'accessoires ou de modifications ;

**5.** Les dommages causés par, entre autres (mais sans restreindre la portée générale de ce qui suit), du sable, des abrasifs, des accumulations de produits chimiques, de la boue, des résidus huileux, de l'acide, de la rouille, une manutention ou une installation inadéquates ;

**6.** Les dommages résultant d'une catastrophe comme un incendie, des rafales, un tremblement de terre ou la foudre ;

**7.** Les pièces, les composants ou les produits qui n'ont pas été fabriqués par Les Solutions Calefactio inc. mais qui ont été utilisés avec le produit qui fait l'objet de la présente vente ;

**8.** Un mauvais usage ou un usage abusif par le client.

Tous les travaux de réparation ou d'entretien que le fabricant exécute pour des défaillances autres que celles énumérées dans la présente garantie seront facturés au tarif habituel de l'équipement, des pièces et du service du fabricant.

Aucun produit, ni aucune pièce, retourné au fabricant sans avoir obtenu une autorisation préalable ne sera accepté.

La présente garantie est la seule garantie du fabricant, toute autre garantie, expresse ou implicite en vertu de la loi ou en fait, y compris mais sans restreindre la portée générale de ce qui suit, les garanties de qualité marchande et d'adaptabilité à un usage particulier sont par la présente expressément exclues. Dans certaines provinces ou certains États, il est interdit de limiter la durée des garanties implicites, il se peut donc que la présente disposition ne s'applique pas dans votre cas. La présente garantie ne s'applique qu'à l'acheteur initial du produit et n'est pas transférable.

À moins d'une modification convenue par écrit entre les deux parties participant à la transaction, la présente entente est réputée être l'entente intégrale et exclusive entre les parties et elle remplace toutes les ententes antérieures, écrites ou verbales.



Québec (Canada)  
T 450 951.0818 F 450 951.2165  
[calefactio.com](http://calefactio.com)



GMPINST2020-09-TRI