



www.swanstone.com

Veritek

Bathtub and Shower Wall Kits

TI-3 Bathtub Wall Kit

TI-33 Extension Kit

TI-5 Bathtub Wall Kit

TI-55 Extension Kit

TF-57 Bathtub Wall Kit

GN-58 Tub Wall Kit

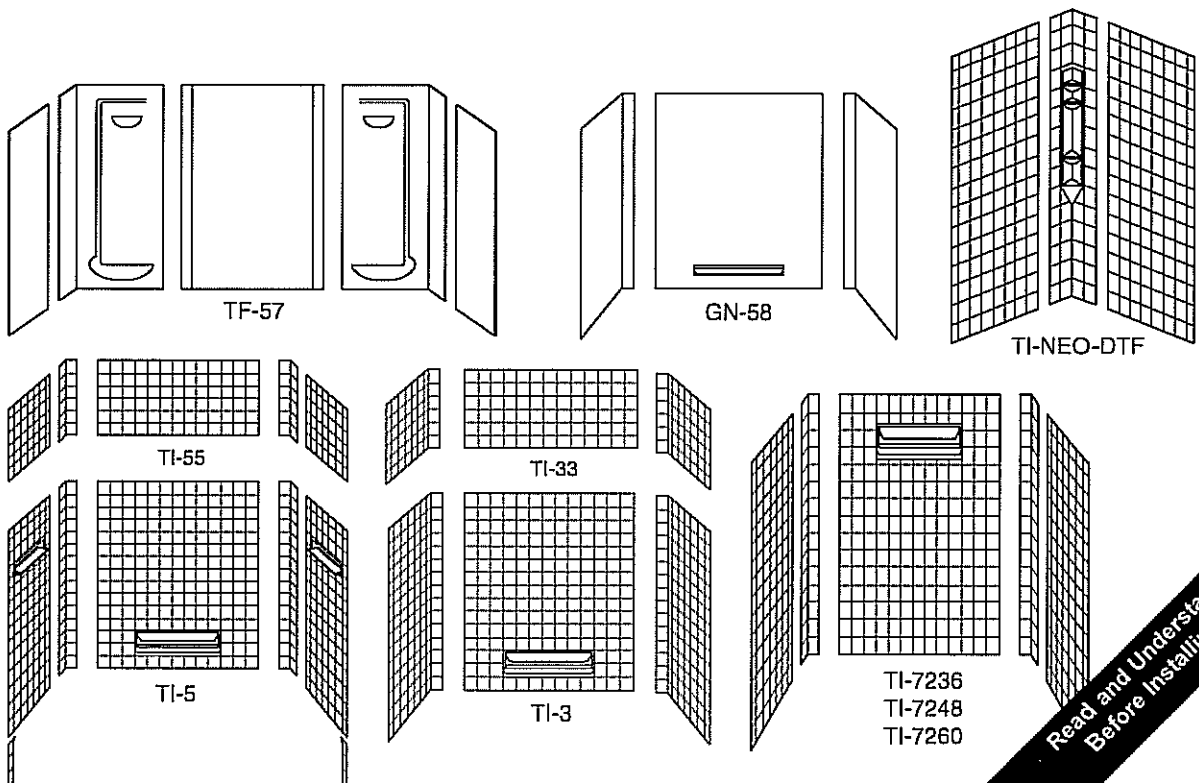
TI-NEO-DTF Corner Shower Wall Kit

TI-7236 Shower Wall Kit

TI-7248 Shower Wall Kit

TI-7260 Shower Wall Kit

- **Product Warnings**
- **Safety Guidelines**
- **Required Tools**
- **Kit Contents**
- **Preparation Tips**
- **Installation Procedure**
- **Cleaning & Maintenance**
- **Warranty Information**



**Read and Understand
Before Installing**

The Swan Assurance — if our product is properly installed and maintained, as stated in these instructions, it will not leak.

Remember — Safety First

IMPORTANT NOTICE

The Swan Corporation, the makers of the Swan products, cannot anticipate every possible circumstance that might involve a potential hazard during the installation of our product(s). The warnings and instructions in this installation guide are, therefore, not all-inclusive. If a tool, installation procedure, or work method that is not specifically recommended by The Swan Corporation is used, you must satisfy yourself that it is safe. You should also make sure that the Swan product(s) will not be damaged by the methods you choose. The Swan Corporation will not be held responsible for water damage of any kind in connection with the installation of one of our Swan bath/shower/panel kits.

⚠ WARNING

To avoid product damage, personal injury, or even possible death, carefully read, understand, and follow all the instructions in this installation guide before installing this product(s). Do not use cleaning fluids or operate power tools unless you read and understand the instructions and warnings in this and all other applicable labels or manuals. Proper use of tools and the products described in this guide is your responsibility.

WARRANTY

This product is covered by a Limited Lifetime Warranty. Refer to the Warranty section in this manual for complete details.

Save this manual for future reference.

Important information on cleaning, maintenance, and repair is contained within.

IMPORTANT NOTICE

IMPORTANT NOTICE: Indicates that equipment or property damage can result if instructions are not followed.



Read and Understand the Manual

It is the responsibility of any individual who installs or maintains this product to fully understand and follow proper installation and maintenance procedures. Be aware of the inherent dangers in the use of power tools when installing this product. Read and understand all Warnings, Cautions, and Important Notices in this manual.



Work Safely

DO NOT proceed if any doubt arises about the correct or safe method of performing anything found in this or other Swan Corporation manuals. The installation of this product can require using power tools. Do not use power tools without adequate training. If necessary, hire or consult a trained professional for expert assistance before continuing.



Use Proper Tools

Always use proper tools which are in good, working condition during the installation of the Swan Corporation products. Using tools other than those listed could adversely affect the integrity of floors, pipes, walls, or this product and could result in water damage or other damage to floors, pipes, walls, or other portions of your building or home.



Do Not Use Nails

The panels mount to walls with 100% clear silicone only. The Swan Corporation recommends 100% clear silicone sealant to mount this product. Never use hammers, nails, or screws. Hammers, nails, and screws could adversely affect the integrity of this product. Nails and screws could puncture the Swan Corporation Wall Systems and Panels, resulting in water or other damage to floors, pipes, walls, or other portions of your building or home.



Inspect Before Cutting

Make sure no electrical wiring or plumbing is present before cutting into a wall to install any accessories.



Wall Conditions

Inspect the walls before installing the Swan Corporation panels. Never install panels over damp walls or an existing mold condition.

⚠ CAUTION

CAUTION: Indicates a potentially hazardous situation which, if not avoided, may result in injury. It may also be used to alert against unsafe practices.



Use Proper Installation Methods

Follow all instructions related to wall surface preparation. Failure to follow such instructions could cause the panels to detach from the wall surface after installation, resulting in personal injury. Failure to follow these instructions could result in water damage.



Lifting Hazard

According to the National Institute for Occupational Safety and Health, the recommended maximum safe lifting weight is 51 pounds, with all lifting conditions perfect—minimal forward reach, steady load close to the body, straight back, load between knees and shoulders, and good grips. To avoid personal injury, always use these proper lifting techniques and use two people to move cartons weighing more than 51 lbs. The boxes containing the Swan Corporation kits can weigh in excess of 80 pounds. Use the appropriate lifting devices to move the load. Always use two people when lifting heavy or bulky cartons. **DO NOT** attempt to lift objects that are too heavy.

WHEN CARRYING A HEAVY LOAD—GET HELP!



Slipping Hazard

Do not install this product in the presence of water. Installing this product without drying all surfaces, or in the presence of water, could cause you to slip and fall due to wet floors or spilled fluids. Personal injury can result from slips or falls. Before installation, dry all surfaces, including the floor, with a cloth or paper towel. Clean up all water or spilled fluids immediately.



Tripping Hazard

Personal injury can result from tripping over power cords, tools, or other items. **DO NOT** leave items laying around the work area.



Personal Protection

Be sure to use all personal protective equipment, such as sturdy work boots, preferably with steel toes, gloves, and hard hat, if necessary, to ensure your own safety. To prevent possible damage to your hearing, always wear ear protection, such as earmuffs or earplugs, when working around power tools.



Cutting Hazard

The installation of the Swan Corporation product may require using power tools. Keep hands away from the cutting edge of any tool used in the installation of our product. Placing fingers in or around the cutting blades could result in serious personal injury.



Sharp Edge Hazard

After cutting the edge of a Swan Corporation panel, it can be sharp. Wear protective gloves to prevent personal injury.



Room Temperature

Allow the Swan Corporation panels to adjust to room temperature for at least six hours before installation, and consult the 100% silicone sealant manufacturer's instructions for storage and surface preparation. The panels should be installed at temperatures not less than 65°F. Panels should not be installed in areas where the temperature may drop below freezing (32°F). Failure to follow this recommendation could adversely affect the silicone sealants, which holds the panels to the wall. If the panels are not correctly adhered to the walls, they may fall off, causing possible injury to someone in or around the shower or bathtub enclosure.



Grab Bars

We recommend that shower compartments be equipped with support grab bars that comply with the most recent edition of ANSI-A117.1 requirements. Grab bars must be anchored to structural support (wall studs) behind the panels. Do not rely on the panels only for grab bar support!

! WARNING

WARNING: Indicates a potentially hazardous situation which, if not avoided, could result in serious injury or death.



Eye Protection

Be sure to use all personal protective equipment to ensure your own safety. To avoid eye injury, always wear protective glasses with side shields when using power tools. Also, make sure no one else can be injured by flying particles when using power tools.



Fire Hazard

Personal injury or death can result from a fire caused by flammable liquids or silicone sealants. Cleaners or solvents can be highly explosive, resulting in personal injury or even death, when not used properly. Clean up any flammable substance immediately. Sparks or open flames can cause flammable substances to ignite. **DO NOT** smoke while working on or near any flammable substance.



Solvents Hazard

Follow all manufacturer's safety instructions for silicone sealants and denatured alcohol. Alcohol vapors are both flammable and hazardous to breathe. Silicone vapors may irritate eyes and nose. Personal injury can result from improperly handling or use of products, such as denatured alcohol. Always follow the manufacturer's recommendations for the safe use of these products. Ventilate any work area before beginning to apply silicone sealants, cleaning agents, or solvents.



Fumes Hazard

The fumes from the silicone adhesive and solvents used by the installer can be harmful if used in an unventilated room. Always work in a well-ventilated area. To keep the area well-ventilated, open windows and use exhaust fans. If adequate ventilation is not achievable or practical, use respiratory protective equipment.



Dust Hazard

When cutting or drilling the Swan Corporation product, use a dust collection method which prevents dust particles from going into the air. Always work in a well-ventilated area. Always use an OSHA approved dust mask when cutting, drilling, or sanding Swan Corporation products.



Power Tool Hazard

To prevent personal injury or possible death, always follow the electrical safety recommendations of the power tool's manufacturer. Do not use power tools in an unsafe manner. Power tools should only be connected to a circuit protected by a ground-fault circuit interrupter (GFI).



Shock Hazard

Never use electric power tools around water, condensation, or other liquids. Electric shock can cause severe burns, significant injuries, and even death. If an extension cord is required, always use an OSHA approved extension cord. Power cords should only be connected to a circuit protected by a ground-fault circuit interrupter (GFI).

! WARNING

WARNING: Indicates a potentially hazardous situation which, if not avoided, could result in serious injury or death.

**Electrical Shock Hazard**

Contacting live electrical wiring with power tools or hand tools can cause serious injury or death.

Make sure all related circuit breakers are turned OFF. Test for live circuits or wiring inside any wall where installation of the Swan Corporation product requires cutting into a wall.

**Electrocution Hazard**

Water and other liquids conduct electric current and can create a short circuit, resulting in injury or death.

Keep all liquids away from electrical cords and power tools. DO NOT create a short circuit between a source of electricity and a liquid by being in contact with both simultaneously.

General Information**Required Tools**

- 100% clear silicone sealant
- Saber saw (straight up and down travel) with bi-metal blade (14 teeth per inch)
- Drill with 3/8 inch drill bit
- Hole saw for faucet(s), bathtub spout, and/or shower head
- Tape measure
- Masking tape (2 inch wide works best)
- Level
- Caulking gun
- Medium grit sandpaper
- Clean paper towels or shop towels
- Lumber, as required for bracing (see Bracing Instructions)
- Denatured alcohol

Veritek Wall Kit Contents

Confirm that all parts of the kit have been included before beginning installation.

TF-57 Bathtub Wall Kit (Molded Design)

- One back panel
- One left corner panel
- One right corner panel
- Two side panels
- One tube of color match silicone sealant

Designed for bathtub enclosures 58 to 60 inches wide and 28 to 30 inches deep. Wall panels are 57 inches high.

TI-5 Bathtub Wall Kit (Tile Design)

- One left side panel with shampoo shelf
- Two corner panels
- One back panel with soap dish
- One right side panel with shampoo shelf
- One left side apron strip
- One right side apron strip
- One tube of color match silicone sealant

Designed for bathtub enclosures 53 to 60 inches wide and 29 to 32 inches deep. Wall panels are 59-5/8 inches high.

TI-55 Extension Kit (Tile Design)

- One back panel
- Two corner panels
- Two side panels
- One tube of color match silicone sealant

Designed for use with TI-5 Fiberglass Wall Kit. Fits bathtub enclosures 53 to 60 inches wide and 29 to 30 inches deep. Wall panels are 24 inches high.

TI-3 Bathtub Wall Kit (Tile Design)

- One back panel
- Two side panels
- One tube of color match silicone sealant

Designed for bathtub enclosures 53 to 60 inches wide and 29 to 30 inches deep. Wall panels are 59-5/8 inches high.

TI-33 Extension Kit (Tile Design)

- One back panel
- Two side panels
- One tube of color match silicone sealant

Designed for use with TI-3 Fiberglass Wall Kit. Fits bathtub enclosures 53 to 60 inches wide and 29 to 30 inches deep. Wall panels are 24 inches high.

GN-58 Tub Wall Kit (Natural Gloss Design)

- One back panel
- One left corner-side panel
- One right corner-side panel
- One tube of color match silicone sealant

Designed for bathtub enclosures up to 60 inches wide and 29 to 30 inches deep. Wall panels are 58 inches high.

TI-7236 Shower Wall Kit (Tile Design)

- One back panel
- Two corner panels
- Two side panels
- One tube of color match silicone sealant

Designed for shower enclosures 29-1/4 to 39-3/4 inches wide and 31 to 36 inches deep. Wall panels are 71-5/8 inches high.

Note 1: Corner panels are different widths. Refer to chart in Installation Instructions for correct orientation.

Note 2: Bull nose (curved) edges on side panels must face to the outside of the shower for proper installation.

TI-7248 Shower Wall Kit (Tile Design)

- One back panel
- Two corner panels
- Two side panels
- One tube of color match silicone sealant

Designed for shower enclosures 41-1/4 to 51-3/4 inches wide and 31 to 36 inches deep. Wall panels are 71-5/8 inches high.

Note 1: Corner panels are different widths. Refer to chart in Installation Instructions for correct orientation.

Note 2: Bull nose (curved) edges on side panels must face to the outside of the shower for proper installation.

TI-7260 Shower Wall Kit (Tile Design)

One back panel
Two corner panels
Two side panels
One tube of color match silicone sealant

Designed for shower enclosures 53-1/4 to 64-3/4 inches wide and 31 to 36 inches deep. Wall panels are 71-5/8 inches high.

Note 1: Corner panels are different widths. Refer to chart in Installation Instructions for correct orientation.

Note 2: Bull nose (curved) edges on side panels must face to the outside of the shower for proper installation.

TI-NEO-DTF Corner Shower Wall Kit (Tile Design)

One corner panel
Two side panels
Two apron strips
One tube of color match silicone sealant

Designed for corner shower enclosures with 36 to 38 inch deep side walls. Wall panels are 71-5/8 inches high.

Note 1: Bull nose (curved) edges on side panels must face to the outside of the shower for proper installation.

Note 2: If the distance from the inside corner to the front edge of the apron is more than 38 inches, the apron strips may have to be discarded.

For best results, use 100% clear silicone sealant for bonding this product to a properly constructed and prepared sub wall. You will need one tube of 100% clear silicone sealant (tube sized to fit a standard caulking gun) for every 1440 square inches or 10 square feet, or, 4 to 10 tubes for an average shower. Follow the application recommendation located in the Panel Installation section of this manual.

Unpack Carton

- Use care when opening the box so that you do not damage the panels.
- This product is shipped to you or your retail center after careful inspection. After purchasing the kit, carefully unpack and inspect the product for any shipping damage that may have occurred. If damage is found, report it immediately to the store of purchase. After inspection and during installation, protect the products from construction damage by moving them to another room or area until ready to install.
- Store panels in a flat area to avoid warpage until the time of installation. Do not store the panels outside of the original packaging in a vertical position.
- Please use the model number located on the side of the box, or the front of this manual, when contacting us with questions concerning the installation of this unit.
- Make sure the walls are the correct size and are in good condition. Installation of damaged product will void the warranty.

Helpful Hints

- Read these instructions carefully and familiarize yourself with the various parts of the kit.
- The variety of installations possible for this kit may require procedures other than those shown. Ensure construction is correctly sized, plumb, and square.
- Save the large cardboard box for protection of the shower floor or bathtub during the installation process and to use as a template for cutting the wall panels.

800-325-7008

- Allow sufficient time for the parts in this kit to adjust to room temperature. We do not recommend installation of this product at temperatures below 65°F.
- Sawhorses with 2 x 4 cross-members or a worktable are helpful during the installation process.
- Always transport the panels vertically. Use care when laying the panels flat to prevent flexing, especially when panels have a cutout in them.
- Store unused materials away from the work area to prevent accidental damage.
- If the shower or bathtub is placed over a garage or on an outside wall, care must be taken to ensure that the shower or bathtub is properly insulated from cold temperatures.

Preparation Tips

- Measure the width of the back wall (with green board) installed. This measurement cannot exceed the width of the Swan Corporation back panel(s). If the wall opening is too small or too large, other methods will be required to cover the wall.
- Measure the height above the bathtub or shower base. If this measurement is less than the height of the Swan Corporation back and side panels, then the panels must be cut to fit.
- Turn off the hot and cold water supply.
- Remove faucet handles, escutcheons, filler spouts, and/or anything mounted to the wall (i.e. towel bars, soap dishes, etc.).
- Always measure the location of the plumbing cutouts, as stated in the instructions for each specific Swan Corporation tub wall kit. Make a cardboard template to trial fit all plumbing cutouts before cutting panels.
- Ensure all plumbing or electrical work inside the walls is finished prior to installation of the wall panels.
- Prepare the area with 1/2 inch (13 mm) moisture resistant drywall, marine grade plywood, or concrete board. Never install our products directly on any structure that is, or may become, wet or damp.
- Trial fit the side panels before you begin. Swan Corporation panels have a finished side and an unfinished backer side. The unfinished backer side should be placed against the sub wall.
- Walls must be solid, plumb, and square within 1/8 inch of true. Shim or trim the opening, as required. This kit has been designed with some adjustability for minor alignment problems.
- The mounting surface must be free of dirt, film, waxes, or any other residues.
- If you are installing a recessed accessory, cut the hole after the panel is installed and fully supported by the wall. Remember to position the accessory between the wall studs.

Caulking Tips

- Follow the instructions on the color match silicone sealant tube.
- When job is complete, inspect all caulked areas for gaps and fill as needed.
- Clean up any excess silicone using denatured alcohol and a clean cloth.
- Be very careful not to disturb caulk joints.

Swan Corporation panels can be installed over a variety of products. If you intend to apply the panels to any surface other than those described, consult with a professional contractor. Use the following sections when installing this product over:

- SHEETROCK/GREENBOARD/CEMENT BOARD/WOOD
- PLASTER
- CEMENT/CONCRETE
- OLD TILE
- WALLPAPER
- MASONITE

Sheetrock, Greenboard, CEMENT BOARD, or Wood

- Surface must be dry, smooth, and free of any dust, soap scum, or any other contaminants.
- To ensure proper adhesion of the Swan Corporation product, the wall surface must be sealed with a water or oil-based primer/sealer.
- After the primer/sealer is completely dry, complete the installation following the instructions in this manual.

Plaster

Depending on the condition of the existing wall surface, additional silicone may be required to ensure contact between the substrate and the wall panel.

- Sand textured or swirled finishes smooth.
- Clean the wall surface with a damp cloth to remove any dust, soap scum, or any other contaminants. The wall surface must be dry and smooth.
- To ensure proper adhesion of the Swan Corporation product, the wall surface must be sealed with a water or oil-based primer/sealer.
- After the primer/sealer is completely dry, complete the installation following the instructions in this manual.

Cement/Concrete

Depending on the condition (flatness) of the existing wall surface, additional silicone may be required to ensure contact between the substrate and the wall panel.

- To ensure proper adhesion of the Swan Corporation product, the complete area must be sealed with two coats of water or oil-based primer/sealer.
- After the primer/sealer is completely dry, complete the installation following the instructions in this manual.

Old Tile

Depending on the condition of the existing wall surface, additional silicone may be required to ensure contact between the substrate and the wall panel.

IMPORTANT NOTICE

Old ceramic tiles, if solidly adhered, do not need to be removed. All plastic tiles must be removed.

- Remove or reattach any loose ceramic tiles. Old tiles and front edge ceramic tiles should be reset for appearance only.
- Remove any tile accessories attached to the walls.
The Swan Corporation

- Remove the bottom row of tile and cut a ventilation gap in the substrate.
- Surface must be dry, smooth, and free of any dust, soap scum, or any other contaminants.
- Complete the installation following the instructions in this manual.

Note: If using a trim kit, old tiles may need to be removed to allow a proper fit.

Wallpaper

- All wallpaper must be removed from the area being covered. Clean the wall surface to remove any dust, soap scum, or any other contaminants. The wall surface must be dry and smooth.
- To ensure proper adhesion of the Swan Corporation product, the complete wall surface must be sealed with two coats of water or oil-based primer/sealer.
- After the primer/sealer is completely dry, complete the installation following the instructions in this manual.

Masonite

- Clean the wall surface to remove any dust, soap scum, or any other contaminants. The wall surface must be dry and smooth.
- To ensure proper adhesion of the Swan Corporation product, the wall surface must be sealed with a water or oil-based primer/sealer.
- After the primer/sealer is completely dry, complete the installation following the instructions in this manual.

Installation Procedure

Followed carefully, these installation instructions will result in an easy, trouble-free installation of your Swan Corporation product. Any deviations, additions, and/or deletions from the prescribed installation, without prior written approval, will void the warranty covering this product. Not following the directions could also result in personal injuries, water damage, and other damage to floors, pipes, walls, and other portions of your building or home.

Disclaimer

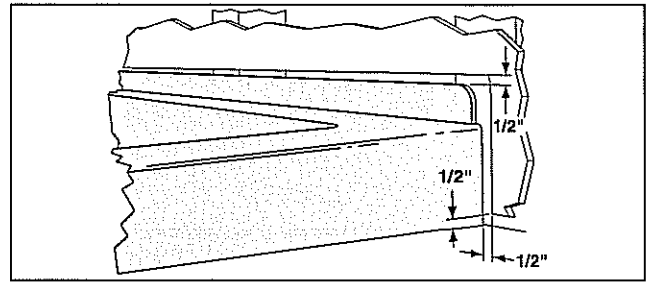
- The information contained in this Installation Manual is given free of charge. It is based upon technical data which we believe to be reliable and is intended for use, by persons having knowledge of this technical area, at their own discretion and risk. Swan Corporation assumes no responsibility for results obtained or damage incurred from the use of this material either in whole or in part by the buyer.
- This manual will give you basic instructions for the installation of the product in a step-by-step sequence that will work in most types of installations. If you have an installation application that is not covered in this manual, please call your local Swan Corporation distributor or contact the Swan Corporation directly for additional information about your application.
- Follow all installation instructions. Failure to follow these instructions could result in personal injuries, water damage, or other damage to floors, pipes, walls, or other portions of your building or home.

Filler Boards

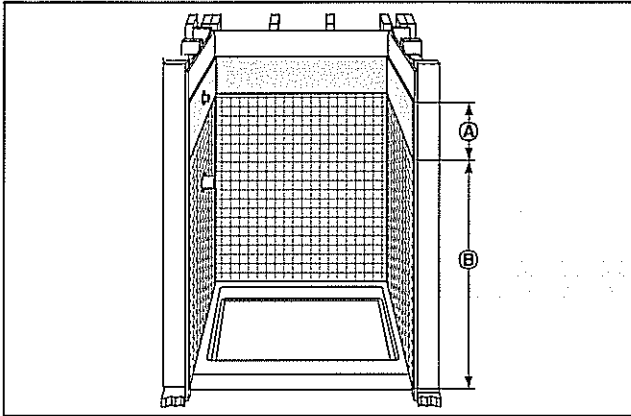
If an existing wall covering (i.e. tile) does not extend to a height equal to the height of the panel, it will be necessary to install a filler board to that height. The filler board must equal the thickness of the existing wall covering (tile). Usually 1/4 inch masonite, or similar material, is adequate. If desired, the filler board can extend from the top edge of the tile to the ceiling.

If installing an optional wall panel extension kit above the wall panel kit, the filler board must extend from the top of the existing wall covering (tile) to 24 inches above the top edge of the installed tub wall kit panels, or to the ceiling if less than 24 inches.

Failure to use a filler board to properly install the panels could result in water damage or other damage to floors, walls, or other portions of your building or home.



2. Apply a coat of water or oil-based primer/sealer to all the surfaces of the cement board or greenboard (follow the manufacturer's instructions). Allow the primer to dry thoroughly before applying any silicone adhesive.



Veritek Wall Kits Installation

IMPORTANT NOTICE

Before beginning, refer to the General Information section for important information on how to prepare the existing bathtub or shower walls for installation.

Some Veritek wall kits have a smooth finish while others feature faux grout lines to give the appearance of tile. This manual shows illustrations of wall kits with the tile appearance. The installation process is the same for smooth finish wall kits.

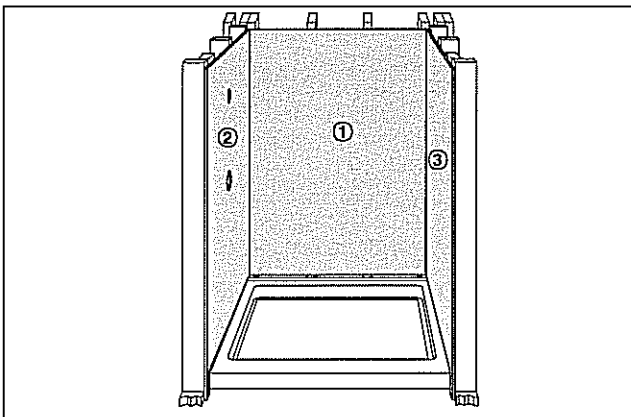
Swan Corporation Veritek wall kits feature several distinct designs, depending on kit style and the size of the bathtub or shower enclosure.

The wall kits are divided into different styles: those with separate corner panels, those with corner side panels, and wall extension kits. The different installation procedures are covered in the following sections. Refer to the Installation section that matches the Swan Corporation product being installed.

New Construction Wallboard Installation

Note: If the Veritek wall panel kit is to be installed over an existing wall surface, proceed to the next section.

1. Measure and cut out openings for the faucet(s), bathtub spout, and/or shower head. Install 1/2 inch moisture resistant cement board or greenboard over back (1), front (2), and rear (3) wall surfaces of the rough opening.



IMPORTANT NOTICE

To prevent possible water (wicking affect) damage to the wall, install the wall board with a 1/2 inch gap above the bathtub or shower floor side lip, the front edge of the bathtub or shower floor, and the room floor.

IMPORTANT NOTICE

Before starting the installation, refer to the General Information section to verify the contents of the carton are correct. Also, read, understand, and follow any NOTES listed for your model wall kit.

DO NOT nail wall panels to sub walls. This will damage the wall panels, could result in water damage or other damage to floors, walls, or other portions of your building or home, and will void the warranty.

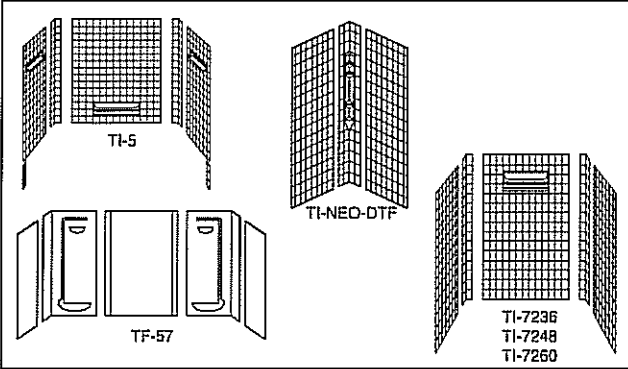
Wall panels with a bullnose (curved) edge should be installed with the bullnose edge toward the front edge of the bathtub or shower.

For a professional looking installation, align the top edges of the adjacent panels and line up any faux grout lines. If the bathtub or shower floor has settled or is out of plumb, it may be necessary to file or sand the bottom edge of the panels to achieve a good fit across the top. Trial fit all panels before final installation.

Gaps between the bathtub or shower floor ledge and the bottom edge of the wall panels will be caulked after the temporary bracing is removed.

Installation Procedure

Wall Kits With Separate Corner Panels - TF-57, TI-5, TI-NEO-DTF, TI-7236, TI-7248, and TI-7260



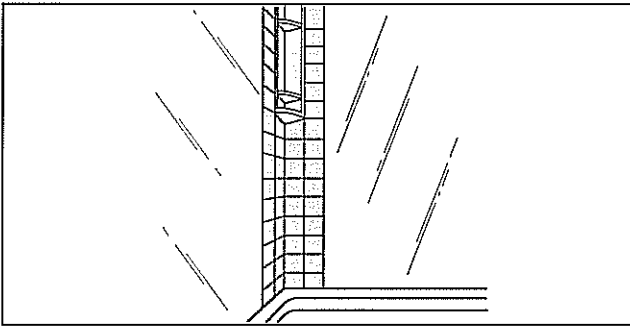
Note: Faux tile wall kit installation shown. Smooth finish wall kit installation is the same.

Corner Panels

Many corner panels are designed to be installed a certain way. Check for identification tags on the back of the panels. Molded in shelves must be installed with the flat surface facing up.

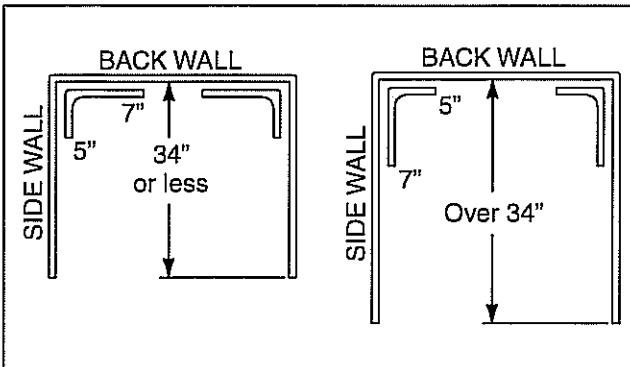
1. Select either a left or right corner panel. Trial fit the corner panel, and make any necessary adjustments.

Note: Corner shower wall kits only have one corner panel. Install it with the flat surface of the molded in shelf facing up.



IMPORTANT NOTICE

Model TI-7236, TI-7248, and TI-7260 Shower Wall Kits. The sides of the corner panels are different widths. One side is 5 inches wide and the other is 7 inches wide. The orientation of the corner panel will affect the allowable width of the wall dimensions. Refer to the illustration and chart for proper orientation.



Corner Panel with 7 Inch Dimension on Enclosure Back Wall	
Side Panel Fits	31 to 34 inch Side Wall
TI-7236 Back Panel Fits	29-1/4 to 39-3/4 inch Back Wall
TI-7248 Back Panel Fits	41-1/4 to 51-3/4 inch Back Wall
TI-7260 Back Panel Fits	53-1/4 to 63-3/4 inch Back Wall

Corner Panel with 5 Inch Dimension on Enclosure Back Wall	
Side Panel Fits	31 to 36 inch Side Wall
TI-7236 Back Panel Fits	29-1/4 to 35-3/4 inch Back Wall
TI-7248 Back Panel Fits	41-1/4 to 47-3/4 inch Back Wall
TI-7260 Back Panel Fits	53-1/4 to 59-3/4 inch Back Wall

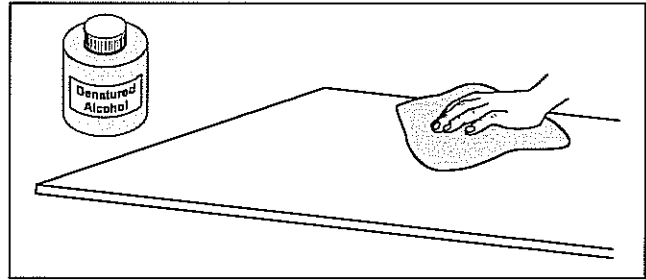
! WARNING



Fumes Hazard

The fumes from the silicone sealant and solvents used by the installer can be harmful if used in an unventilated room. Always work in a well-ventilated area. To keep the area well-ventilated, open windows and use exhaust fans. If adequate ventilation is not achievable or practical, use respiratory protective equipment.

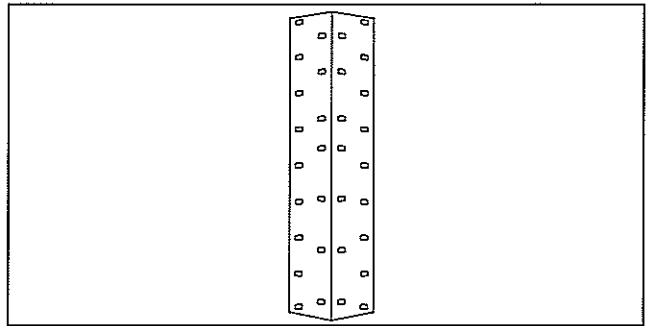
2. Clean the back of the panel with denatured alcohol.



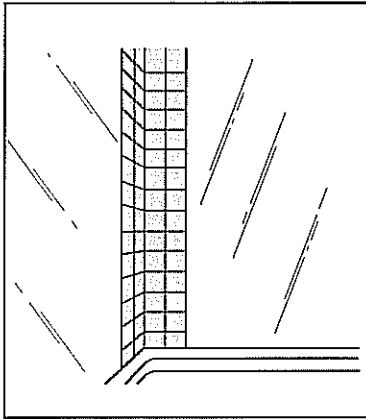
IMPORTANT NOTICE

Do not use oil-based cleaners, such as mineral spirits, to clean the panels. The oil in the cleaner will prevent the panel from properly adhering to the wall.

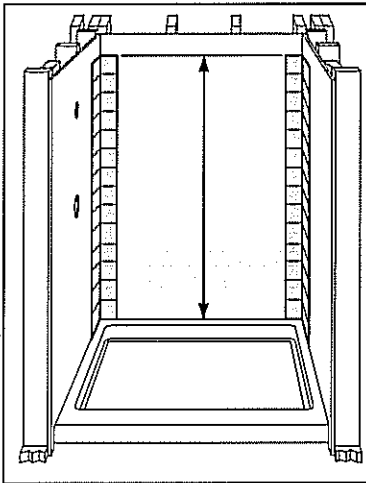
3. Apply the silicone sealant in 1-1/4 inch diameter dots every 8 to 10 inches over the back surface of the panel. Follow the silicone manufacturer's instructions and note all ventilation and installation precautions.



- Carefully position the corner panel and firmly press the surface of the corner panel against the walls. Apply hand pressure up and down and side-to-side, making sure all areas are in firm contact with the wall. It is important to apply hand pressure to the entire surface of the panel to bond it to the wall surface.



- Except for corner shower wall kits, repeat Step 1 through Step 4 to install the remaining corner panel.

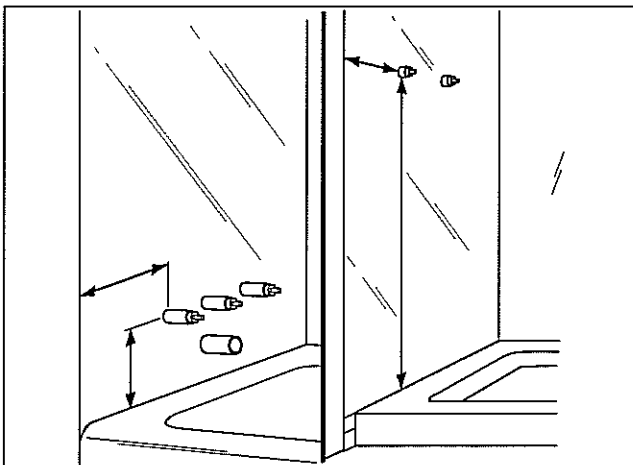


Note: Make sure the top edge of both corner panels are at the same height, measured from the top of the bathtub or shower floor ledge.

Side Panels

Most side panels are designed to fit a certain way. Check for identification tags on the back of panels and/or bullnose edges, which align with the front edge of the bathtub, shower floor, or apron strips, if installed.

- Measure the openings for faucet(s), bathtub spout, and/or shower head. Measure the height up from the ledge of the bathtub or shower floor ledge. Measure in from a straight line drawn up from the front edge of the bathtub, shower floor, or apron strip (trial fit apron strips when taking measurements).



- Use the measurements to make a cardboard template in order to check for proper fit around the plumbing outlets. Trial fit the cardboard template, and adjust as necessary.
- Transfer the template measurements to the side panel to be installed over the plumbing outlets.

! WARNING



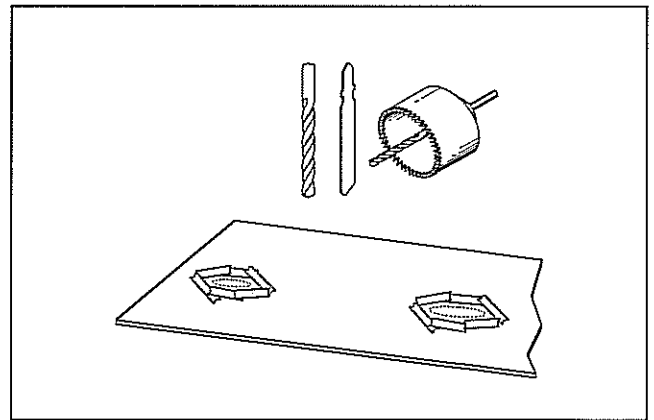
Dust Hazard

When cutting or drilling the Swan Corporation product, use a dust collection method which prevents dust particles from going into the air. Always work in a well-ventilated area. To keep the area well-ventilated, open windows and use exhaust fans. Always use an OSHA approved dust mask when cutting, drilling, or sanding Swan Corporation products.

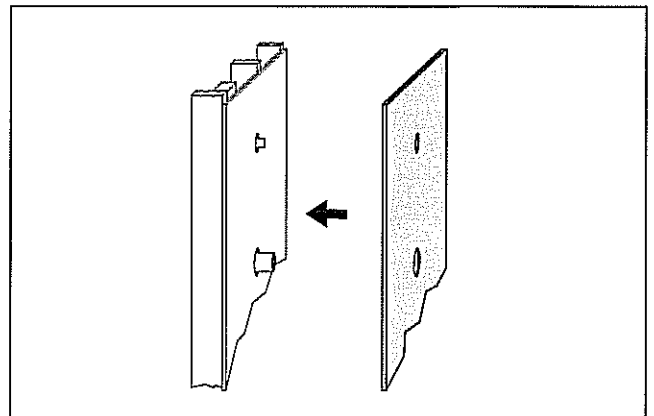
IMPORTANT NOTICE

Any cutout should have rounded corners (sharp corners can promote stress cracks).

- Cut clearance holes using a router, saber saw, or hole saw. Drill or cut holes 1/2 inch larger than the diameter of the plumbing outlets from the finished side of the panel. For best results, place a scrap of wood beneath the hole to ensure a clean cut.



- Trial fit the panel, and make any necessary adjustments.



Installation Procedure

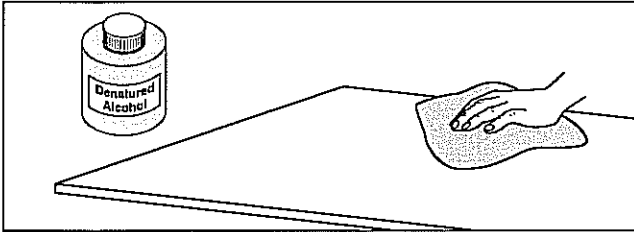
! WARNING



Fumes Hazard

The fumes from the silicone sealant and solvents used by the installer can be harmful if used in an unventilated room. Always work in a well-ventilated area. To keep the area well-ventilated, open windows and use exhaust fans. If adequate ventilation is not achievable or practical, use respiratory protective equipment.

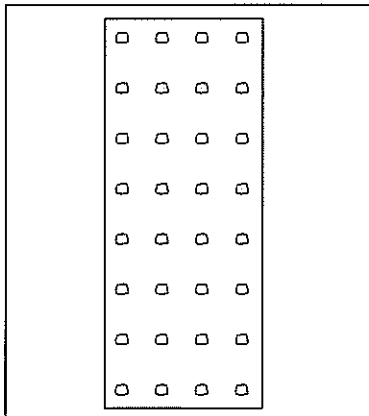
6. Clean the back of the panel with denatured alcohol.



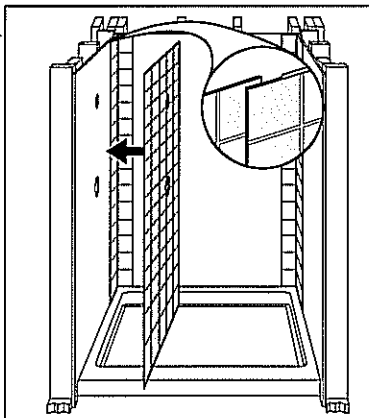
IMPORTANT NOTICE

Do not use oil-based cleaners, such as mineral spirits, to clean the panels. The oil in the cleaner will prevent the panel from properly adhering to the wall.

7. Apply the silicone sealant in 1-1/4 inch diameter dots every 8 to 10 inches over the back surface of the panel. Follow the silicone manufacturer's instructions and note all ventilation and installation precautions.



8. Install the side panel, overlapping the corner panel. Carefully line up any faux grout lines. Press the side panel firmly to the wall. Use even hand pressure from top to bottom and side-to-side to ensure solid wall contact.
9. Repeat Step 5 through Step 7 to install the remaining end panel.



Apron Strips

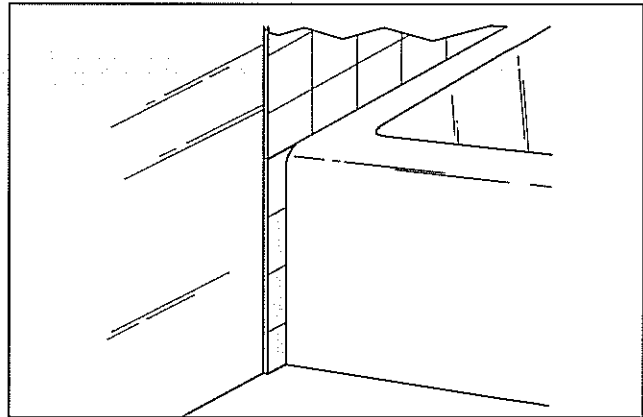
Apron strips are included in some wall kits to give a finished appearance to side panels that project beyond the front edge of the bathtub or shower floor. Trial fit apron strips with side panels before final installation.

IMPORTANT NOTICE

TI-5 Bathtub Wall Kit. If installing a shower door, do not install the apron strips. Install the wall kit side panels even with the front edge of the bathtub to avoid shampoo shelf interference with shower door frames.

TI-NEO-DTF Corner Shower Wall Kit. Install apron strips with larger "tile" up. If the distance from the inside corner to the front edge of the apron is more than 38 inches, the apron strips may have to be discarded.

1. If the wall kit includes apron strips, trial fit strips to the wall, with the pointed tip towards the bathtub or shower floor, as shown. Apron strips should be trimmed to fit tightly against the side of the bathtub/shower floor even with the top edge.



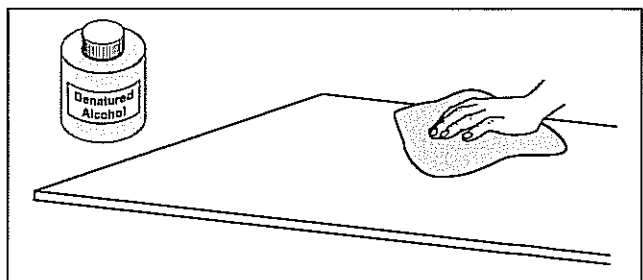
! WARNING



Fumes Hazard

The fumes from the silicone sealant and solvents used by the installer can be harmful if used in an unventilated room. Always work in a well-ventilated area. To keep the area well-ventilated, open windows and use exhaust fans. If adequate ventilation is not achievable or practical, use respiratory protective equipment.

2. Clean the back of the apron strip with denatured alcohol.

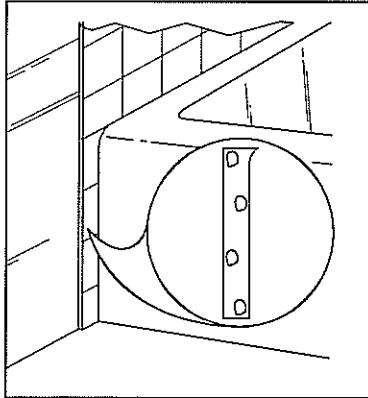


IMPORTANT NOTICE

Do not use oil-based cleaners, such as mineral spirits, to clean the panels. The oil in the cleaner will prevent the panel from properly adhering to the wall.

3. Apply several dots of silicone over the back surface of the apron strip. Follow the silicone manufacturer's instructions, and note all ventilation and installation precautions.

4. Carefully position the apron strip and firmly press the surface against the wall. Apply hand pressure up and down and side-to-side, making sure all areas are in firm contact with the wall.



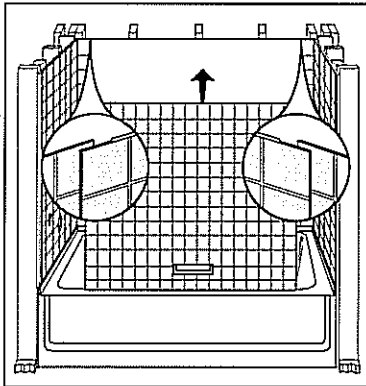
5. Repeat Step 1 through Step 4 to install the remaining apron strip.

Note: Make sure the top edges of both apron strips are against the bottom lip of the side panels.

Back Panel

Note: Corner wall units do not have back panels. If installing a corner shower wall unit, skip to the Temporary Bracing section.

1. Trial fit the back panel, and make any necessary adjustments.



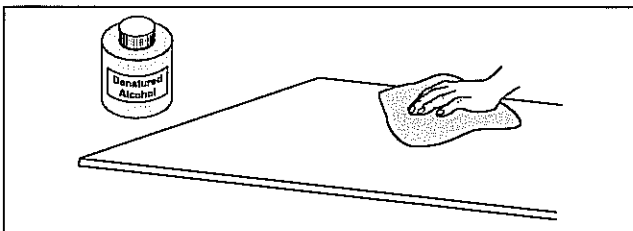
WARNING



Fumes Hazard

The fumes from the silicone sealant and solvents used by the installer can be harmful if used in an unventilated room. Always work in a well-ventilated area. To keep the area well-ventilated, open windows and use exhaust fans. If adequate ventilation is not achievable or practical, use respiratory protective equipment.

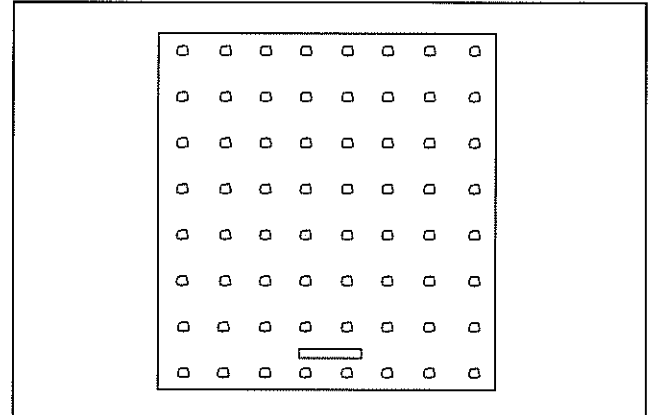
2. Clean the back of the panel with denatured alcohol.



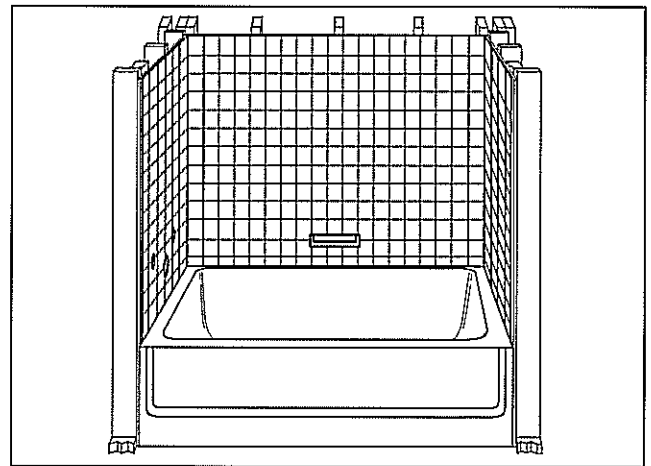
IMPORTANT NOTICE

Do not use oil-based cleaners, such as mineral spirits, to clean the panels. The oil in the cleaner will prevent the panel from properly adhering to the wall.

3. Apply the silicone sealant in 1-1/4 inch diameter dots every 8 to 10 inches over the back surface of the panel. Follow the silicone manufacturer's instructions and note all ventilation and installation precautions.



4. Install the back panel, overlapping the corner panels. Carefully line up any faux grout lines. Press the back panel firmly to the wall. Use even hand pressure from top to bottom and side-to-side to ensure solid wall contact.



Note: Any gaps between the bottom of the panels and the tub ledge will be filled in with caulking in a later step.

IMPORTANT NOTICE

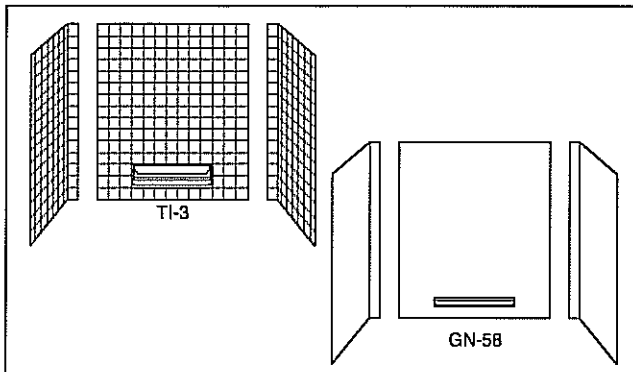
Refer to the Temporary Bracing section for information on bracing to hold the panels in place until the silicone sealant is completely set (usually 24 hours). This will allow proper curing of the silicone.

5. Install the temporary bracing to hold the wall panels in place until the silicone sealant cures.

6. After the temporary bracing is removed, refer to the Caulking section for information on applying color match silicone sealant to joints and seams.

Installation Procedure

Veritek Wall Kits With Corner Side Panels - GN-58 and TI-3

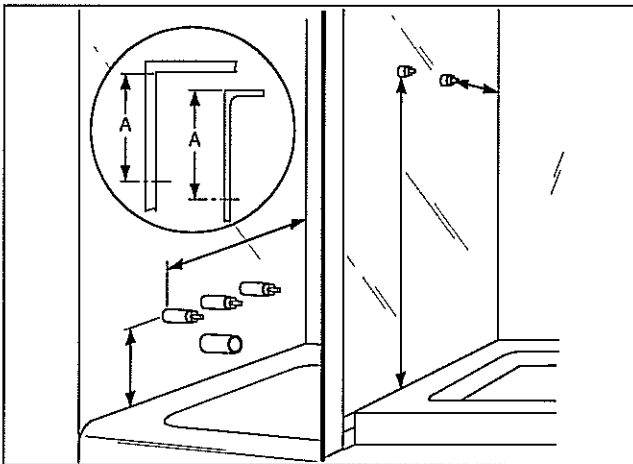


Note: Faux tile wall kit installation shown. Smooth finish wall kit installation is the same.

Corner Side Panels

Many corner side panels are designed to fit a certain way. Check for identification tags on the back of the panels. Molded in shelves must be installed with the flat surface facing up.

1. Select the corner side panel that will be cut out for the plumbing fixture outlets.
2. Measure the openings for faucet(s), bathtub spout, and/or shower head. Measure the height up from the ledge of the bathtub or shower floor ledge. Measure out from the back wall.



3. Use the measurements to make a cardboard template in order to check for proper fit around the plumbing outlets. Trial fit the cardboard template, and adjust as necessary.
4. Transfer the template measurements to the corner side panel.

⚠ WARNING



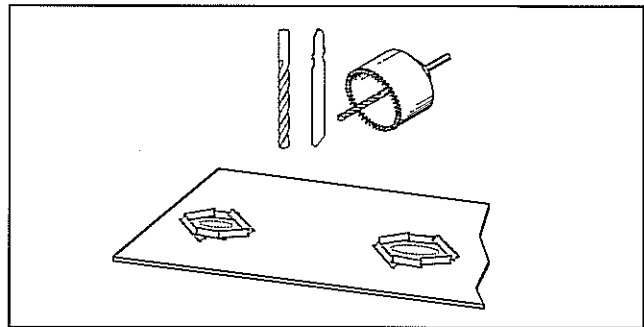
Dust Hazard

When cutting or drilling the Swan Corporation product, use a dust collection method which prevents dust particles from going into the air. Always work in a well-ventilated area. To keep the area well-ventilated, open windows and use exhaust fans. Always use an OSHA approved dust mask when cutting, drilling, or sanding Swan Corporation products.

IMPORTANT NOTICE

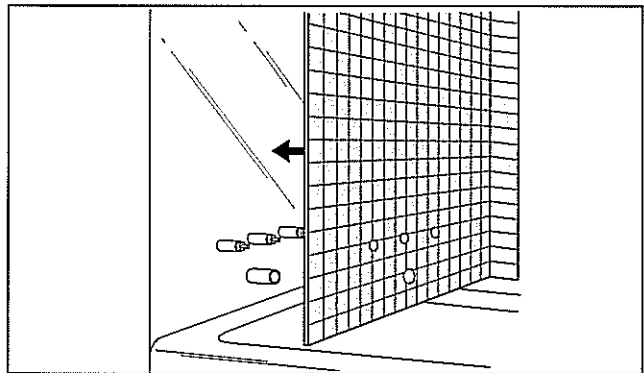
Any cutout should have rounded corners (sharp corners can promote stress cracks).

5. Cut clearance holes using a router, saber saw, or hole saw. Drill or cut holes 1/2 inch larger than the diameter of the plumbing outlets from the finished side of the panel. For best results, when drilling, place a scrap of wood beneath the hole to ensure a clean cut.



6. Trial fit the panel, and make any necessary adjustments.

Note: The corner side panel should not extend all the way to the front edge of the bathtub.



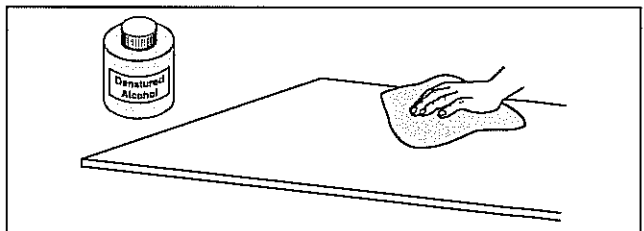
⚠ WARNING



Fumes Hazard

The fumes from the silicone sealant and solvents used by the installer can be harmful if used in an unventilated room. Always work in a well-ventilated area. To keep the area well-ventilated, open windows and use exhaust fans. If adequate ventilation is not achievable or practical, use respiratory protective equipment.

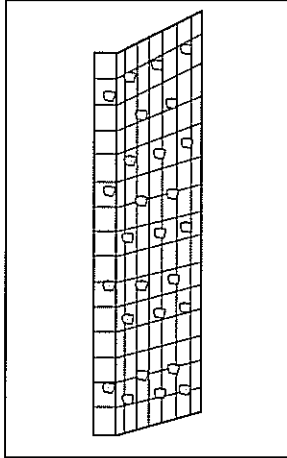
7. Clean the back of the panel with denatured alcohol.



IMPORTANT NOTICE

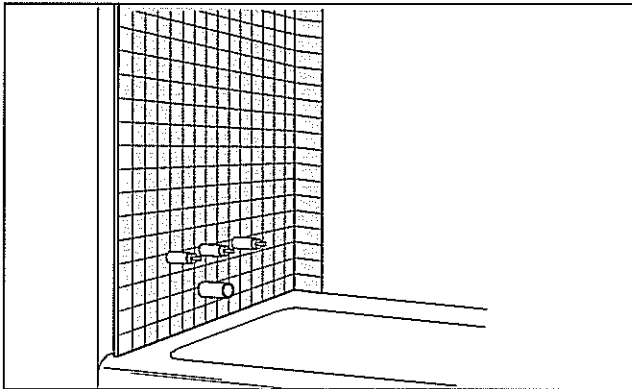
Do not use oil-based cleaners, such as mineral spirits, to clean the panels. The oil in the cleaner will prevent the panel from properly adhering to the wall.

- Apply the silicone sealant in 1-1/4 inch diameter dots every 8 to 10 inches over the back surface of the panel. Follow the silicone manufacturer's instructions and note all ventilation and installation precautions.



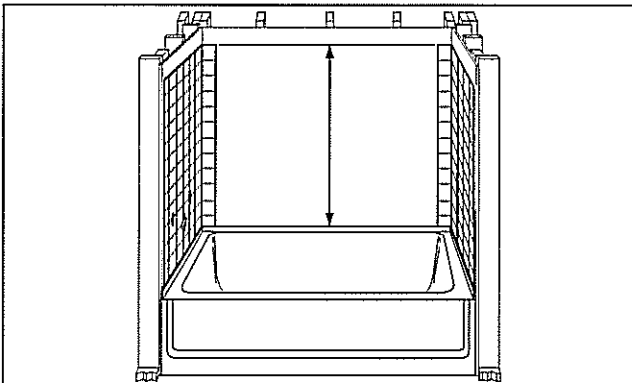
- Carefully position the corner side panel tight against the corner and firmly press the surface of the panel against the walls. The corner side panel should not extend all the way to the front edge of the bathtub.

- Apply hand pressure up and down and side-to-side, making sure all areas are in firm contact with the wall. It is important to apply hand pressure to the entire surface of the panel to bond it to the wall surface.



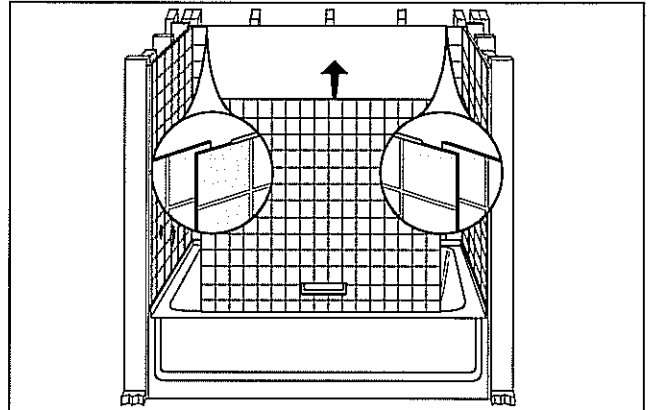
- Repeat Step 6 through Step 9 to install the remaining corner-side panel.

Note: Make sure the top edge of both corner side panels are at the same height measured from the tub ledge.



Back Panel

- Trial fit the back panel, and make any necessary adjustments.



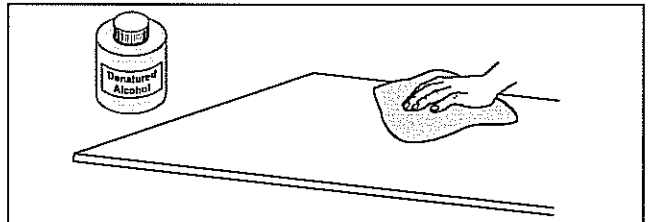
WARNING



Fumes Hazard

The fumes from the silicone sealant and solvents used by the installer can be harmful if used in an unventilated room. Always work in a well-ventilated area. To keep the area well-ventilated, open windows and use exhaust fans. If adequate ventilation is not achievable or practical, use respiratory protective equipment.

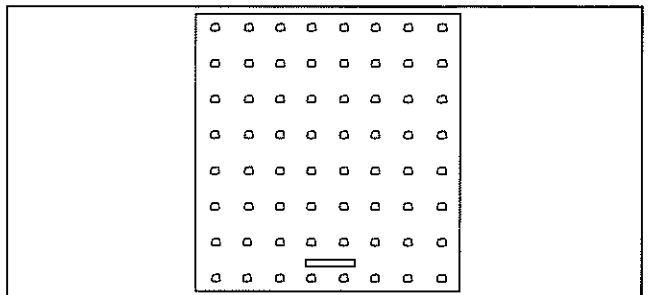
- Clean the back of the panel with denatured alcohol.



IMPORTANT NOTICE

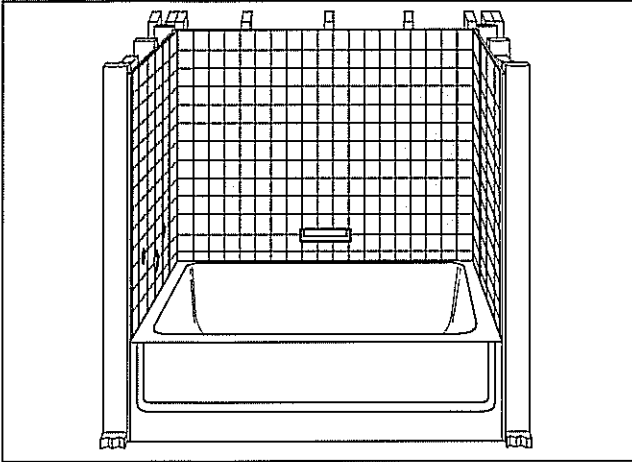
Do not use oil-based cleaners, such as mineral spirits, to clean the panels. The oil in the cleaner will prevent the panel from properly adhering to the wall.

- Apply the silicone sealant in 1-1/4 inch diameter dots every 8 to 10 inches over the back surface of the panel. Follow the silicone manufacturer's instructions and note all ventilation and installation precautions.



Installation Procedure

4. Install the back panel, overlapping the corner side panels. Carefully line up any faux grout lines. Press the back panel firmly to the wall. Use even hand pressure from top to bottom and side-to-side to ensure solid wall contact.



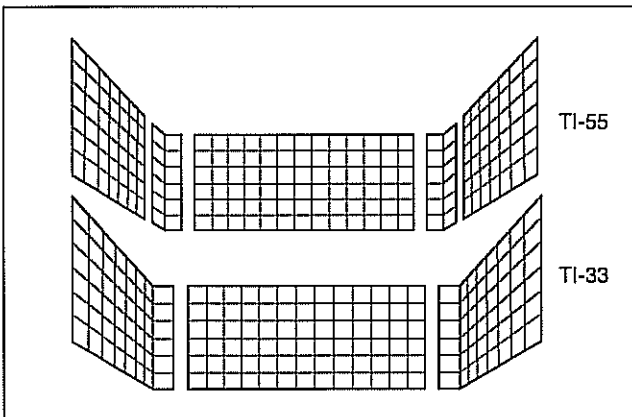
Note: Any gaps between the bottom of the panels and tub ledge will be filled in with caulking in a later step.

IMPORTANT NOTICE

Refer to the Temporary Bracing section for information on bracing to hold the panels in place until the silicone sealant is completely set (usually 24 hours). This will allow proper curing of the silicone.

5. Install the temporary bracing to hold the wall panels in place until the silicone sealant cures.
6. After the temporary bracing is removed, refer to the Caulking section for information on applying color match silicone sealant to joints and seams.

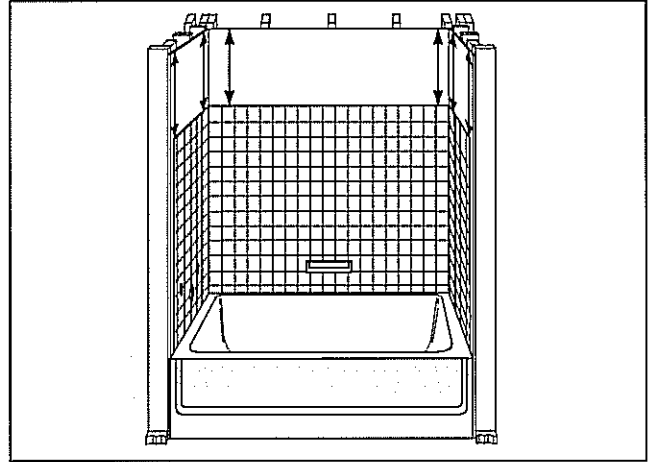
Veritek Extension Kits (Tile Design) - TI-33 and TI-55



IMPORTANT NOTICE

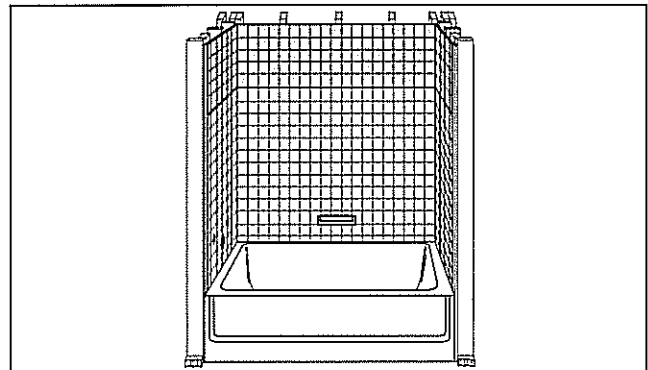
Some extension wall panels have a flange designed to fit against the top edge of the existing tub wall panels. Make sure to identify and correctly orient each extension wall panel before trimming panels or cutting plumbing outlet openings.

1. Measure the height of the exposed wall above the installed tub wall panels. If less than 24 inches, use a saber saw to trim the top edge of the extension panels to fit.



2. Sand the cut edge with medium grit sandpaper to remove any rough edges.
- 3a. **Veritek Extension Wall Kits With Separate Corner Panels:** Follow the step-by-step instructions in the Veritek Wall Kits With Separate Corner Panels section to cut needed plumbing outlet openings, trial fit panels, apply silicone sealant, and install the panels of the extension kit.
- 3b. **Veritek Extension Wall Kits With Corner Side Panels:** Follow the step-by-step instructions in the Veritek Wall Kits With Corner Side Panels section to cut needed plumbing outlet openings, trial fit panels, apply silicone sealant, and install the panels of the extension kit.

Note: Keep faux grout lines and the edge of the panels aligned when installing adjacent panels. Use even hand pressure from top to bottom and side-to-side to ensure solid wall contact.



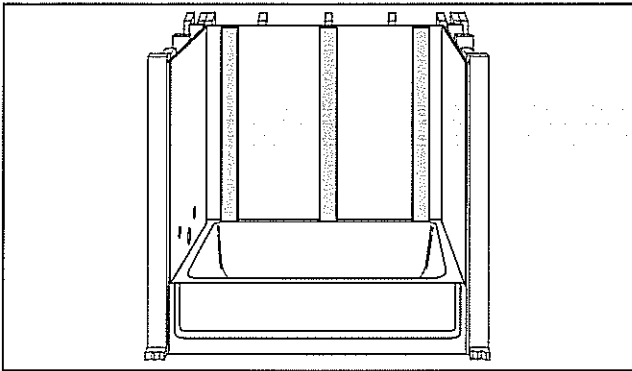
Temporary Bracing

Install the temporary bracing to hold the wall panels in place until the silicone sealant is completely set (usually 24 hours). This will allow proper curing of the silicone.

IMPORTANT NOTICE

To ensure contact between the panels and walls until the silicone sealant sets, install the temporary bracing after completing installation. The bracing should be constructed from 1 x 2 inch, 1 x 3 inch, and 2 x 2 inch lumber. Cut the boards to length so that the braces wedge against the wall panels and/or each other when installed. Failure to brace in the manner described could keep the panels from properly adhering, resulting in personal injury, as well as water damage or other damage to floors, walls, or other portions of your building or home.

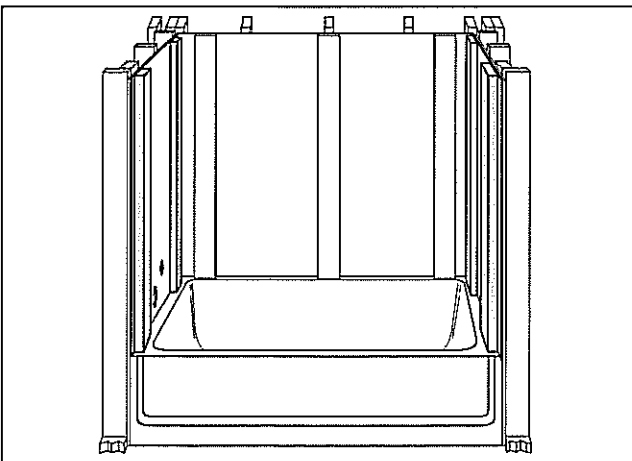
1. Place two or more braces against the back wall. Place two braces on the panels that are 48 inches or less and three or four braces on the panels used on back walls greater than 48 inches wide.



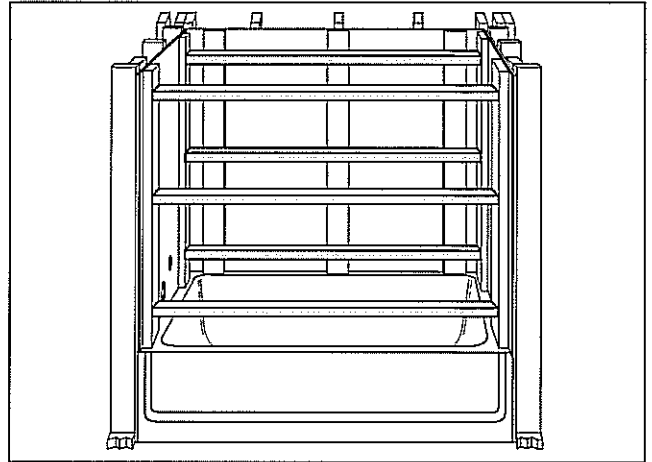
IMPORTANT NOTICE

To prevent scratches or other damage, make sure there are no nails or other foreign objects in the surface of the bracing that is placed against the panel. Also, to prevent possible damage to the walls, do not apply excessive pressure to the braces. Do not hammer (pound) braces in place or nail the braces together.

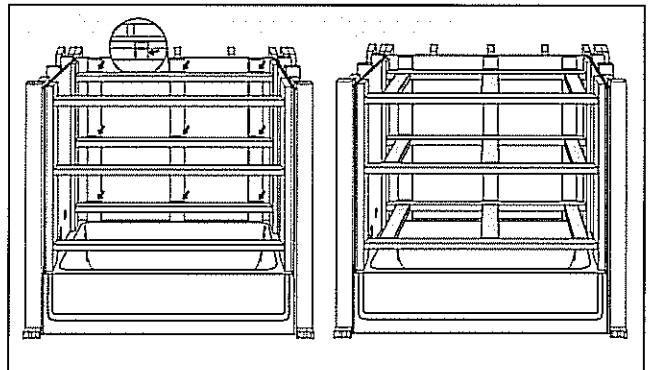
2. Place two braces against each left and right wall.



3. Install (wedge) horizontal braces against the left and right wall braces.

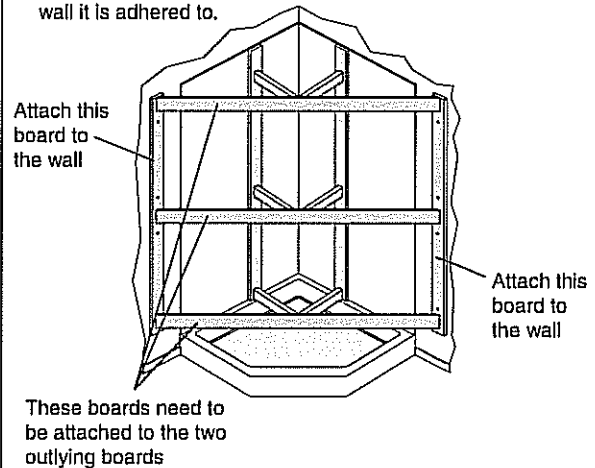


4. Insert (wedge) blocks or cross braces between the front to rear panel braces and the back panel braces. These blocks or braces must apply pressure to the back panel to hold it in place.



For corner shower wall installation use the illustrated bracing design.

ATTENTION: Additional bracing may be required if the Swanstone brand panel does not make full contact to the wall it is adhered to.

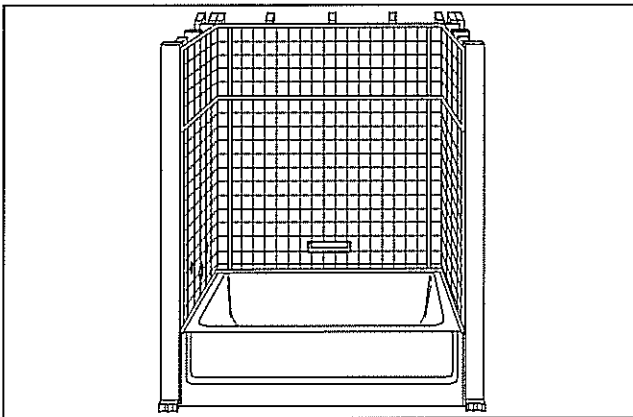


5. Remove the braces after 24 hours.
6. After the temporary bracing is removed, refer to the Caulking section for information on applying color match silicone sealant to joints and seams.

Caulking

Note: Install any optional extension wall panel kit and/or optional window trim kit before caulking edges and seams.

1. Apply a bead of color match silicone sealant to the edge where the bottom of the tub wall panels meet the tub ledge.
2. Apply a bead of color match silicone sealant to the top edge of the entire unit.
3. Apply a continuous bead of color match silicone sealant along all vertical and horizontal seams at side, back, and optional extension panel kit and/or window trim kit joints (if installed).



IMPORTANT NOTICE

Follow the manufacturer's instructions on the tube for proper application. Allow at least 24 hours for caulk to set before using the bathtub enclosure.

The installation is now complete. **DO NOT** discard these installation instructions. **PLEASE LEAVE THEM WITH THE HOMEOWNER.**

Care and Cleaning

Swan Corporation Veritek products are stain and abrasion resistant; however, the finish requires reasonable care.

IMPORTANT NOTICE

Because cleaning products change over time, always check the manufacturer's instructions to make sure it is compatible with fiberglass reinforced polyester. **DO NOT** use a cleaner if the label indicates it should not be used on fiberglass reinforced polyester. **DO NOT** use spray-on cleaners that require daily use without immediately rinsing with water to stop the chemical cleaning reaction because damage will result and void the warranty.

Day-To-Day Cleanup

Wash regularly with warm water. Use a soft cloth with a mild detergent such as Handy Andy, Mr. Clean, Top Job, Tough Act, Ajax Liquid Cleaner, or Lestoil. Always rinse off cleaners within five minutes of application. Scratch-free pads made of nylon, saran, or polyethylene may be used.

IMPORTANT NOTICE

NEVER use abrasive scouring powders, cleansers, or scouring pads to clean the tub enclosure. They will scratch and dull the finish. Dry cleaning agents and solvents will damage the surface. Burning cigarettes will damage and discolor the finish.

Caulking Joints

Inspect caulking joints monthly for damage or any signs of separation from the mating surface. Cracks in the caulking will allow water to leak into the surrounding surfaces. **Reapply caulking to any joint showing signs of wear or cracking.** Failure to inspect and repair caulking joints will void the warranty.

Warranty

If a Swan product covered by this warranty is found to be defective in materials or workmanship, after inspection by an authorized Swan Corporation representative, we will repair, or at our option, exchange the product for a similar model. This warranty extends for a designated period of time, so long as it remains in use in its original place of installation.

This warranty covers products installed in accordance with the Swan Corporation's installation instructions, used as recommended, and not damaged due to misuse, abuse, or improper installation. It does not apply to any seams or changes made to the product by professional tradesmen or fabricators.

The Swan Corporation's option to repair or exchange the products under this warranty does not cover any labor or other costs of removal or installation, nor shall the Swan Corporation be responsible for any other incidental or consequential damages attributable to a product defect or to the repair or exchange of a defective product.

Residential Limited Lifetime Warranty

The warranty applies only to the original purchaser and installation of these products in residential applications. It does not apply to commercial applications.

Commercial 5-Year Limited Warranty

The warranty applies only to the original purchaser and installation of these products in commercial applications.



Swan
CORPORATION