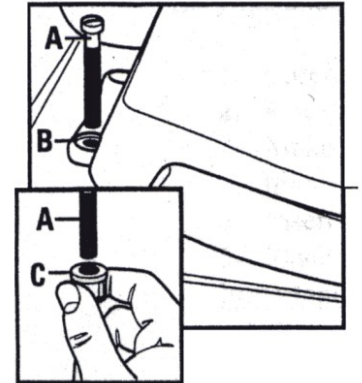


Toilet Seat Installation Instructions

Easy Installation

1. Carefully remove old seat.
2. Place new toilet seat on toilet bowl.
3. Make sure that the hinge bolts (A) are inserted through or connected to the seat hinge (B).
4. Insert hinge bolts (A) through the holes in the rear of the toilet bowl.
5. Place nuts (C) on the hinge bolts (A) and tighten until the nut is firmly seated.



Important: Do not over tighten the nuts as this could crack the toilet bowl.

Cleaning Instructions

Please refer to these important instructions for maintaining and protecting your toilet seat. When cleaning your toilet seat, wash it only with mild, soapy water. Rinse the seat thoroughly with clean water and dry with a soft cloth. This will help keep your seat looking new for years to come.

Never use abrasive powders or detergents, disinfectants or cleaning products in aerosol cans as they can damage your seat's lustrous finish. In addition, some bathroom chemicals and cosmetic products may damage the seat's finish so use proper caution./