

resideo



# AquaPUMP™ 3-speed Circulation Pumps

## INSTALLATION INSTRUCTIONS



### APPLICATION

The PC3F in-line, wet rotor circulator with universal flange is designed for applications in closed-loop hydronic heating and cooling systems, as well as in solar-powered systems. The pump is non-submersible and for use in dry, frost-free, well-ventilated installations.

### SPECIFICATIONS

**Construction:**

Casting: Cast Iron

Bearings and Shaft: Ceramic

**Electrical:**

115VAC +/-10% 60hz

Internal thermal overload protection

Amperage: See Table on page 2.

**Max. Pressure:** 145 psi (at room temperature);  
50 psi at 200°F (93°C)

**Min. Inlet Pressure:**  
167°F (75°C): 0.73 psi  
194°F (90°C): 4.1 psi

**Temperature Range:**  
Ambient: 32°F to 104°F (0° to 40°C)  
Storage: -40°F to 100°F (-40° to 38°C)  
Water: 14°F to 230°F (-10° to 110°C)  
[to 200°F (95°C) with optional check valve installed]

**Media:**  
Clean water or water with up to 20% glycol.  
Up to 50% glycol may be used, but flow characteristics will differ from these specifications as the fluid may be more viscous.

**Sound:** Less than 43 dB(A) at 3.3 feet (1 meter)

**Standards:**  
Insulation Class F  
Temperature Class TF 95

**Approvals:** UL/cUL 778, File number 4MX8

**Flow Curves:** See Figs. 2, 3 and 4 on page 2.

**Flange Connection:**  
Universal flange. See Fig. 1.  
Bolt holes: 1/2 in. (12.7 mm)



62-0383EFS-11

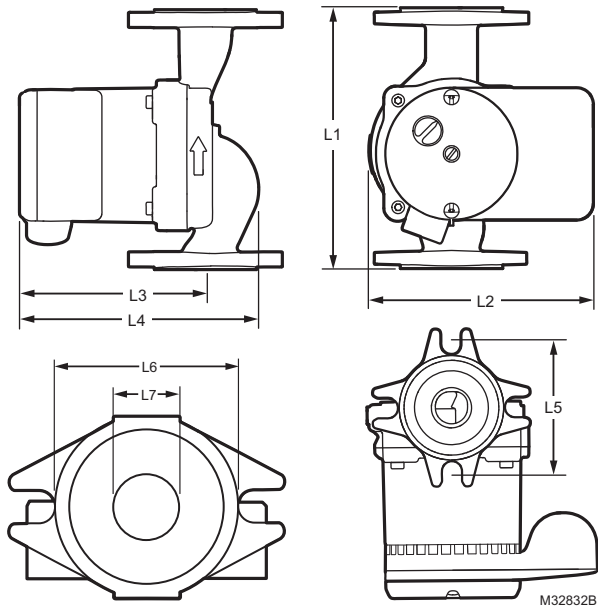


Fig. 1. Pump dimensions in in. (mm).

| Pump Model    | L1             | L2           | L3           | L4           | L5                         | L6          | L7           |
|---------------|----------------|--------------|--------------|--------------|----------------------------|-------------|--------------|
| PC3F1558IUF00 | 6.5<br>(165.5) | 5.5<br>(140) | 4.7<br>(118) | 6.6<br>(167) | 3.2 <sup>a</sup><br>(80.2) | 2.6<br>(67) | .953<br>(24) |
| PC3F2699IUF00 | 6.5<br>(165.5) | 6.1<br>(155) | 6.5<br>(165) | 7.8<br>(197) | 3.2 <sup>a</sup><br>(80.2) | 2.6<br>(67) | .953<br>(24) |
| PC3F4344IUF00 | 8.5<br>(216)   | 6.1<br>(155) | 6.9<br>(174) | 8.9<br>(227) | 3.4 <sup>b</sup><br>(87.3) | 2.6<br>(67) | .953<br>(24) |

<sup>a</sup> 3-5/32 in.

<sup>b</sup> 3-7/16 in.

## DESCRIPTION

Table 1. Pump data by model.

| Pump Model    | Max. Flow |      | Max. Pressure Head |        |
|---------------|-----------|------|--------------------|--------|
|               | GPM       | LPM  | Feet               | Meters |
| PC3F1558IUF00 | 15        | 55.6 | 19.4               | 6      |
| PC3F2699IUF00 | 34        | 92.7 | 31                 | 9      |
| PC3F4344IUF00 | 59        | 170  | 17                 | 5.2    |

Table 2. Optional and Replacement Parts.

| Pump Model    | Check Valve | Gasket |
|---------------|-------------|--------|
| PC3F1558IUF00 | PCV100      | PCG100 |
| PC3F2699IUF00 | PCV125      | PCG100 |
| PC3F4344IUF00 | PCV150      | PCG150 |

Table 3. Electrical data.

| Pump Model    | Speed 1 |         | Speed 2 |         | Speed 3 |         |
|---------------|---------|---------|---------|---------|---------|---------|
|               | Power   | Current | Power   | Current | Power   | Current |
| PC3F1558IUF00 | 32W     | 0.28A   | 55W     | 0.48A   | 85W     | 0.74A   |
| PC3F2699IUF00 | 125W    | 1.09A   | 175W    | 1.52A   | 205W    | 1.78A   |
| PC3F4344IUF00 | 145W    | 1.26A   | 185W    | 1.61A   | 210W    | 1.83A   |

## FLOW CURVES

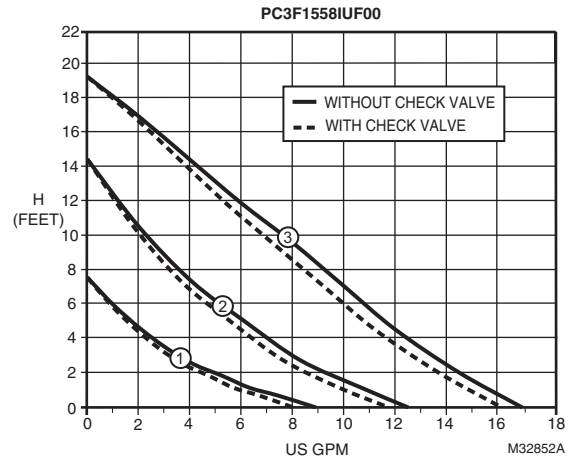


Fig. 2. Flow curve for PC3F1558IUF00.

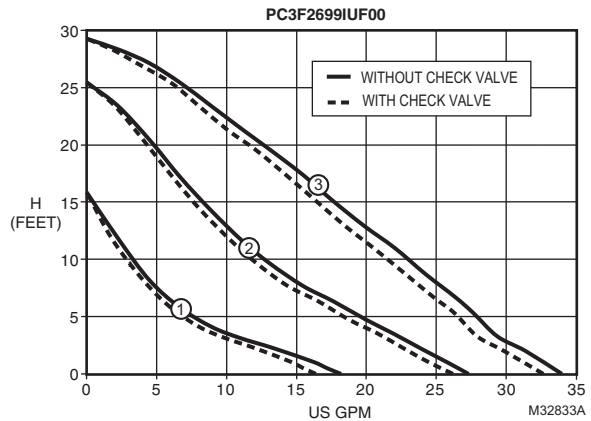


Fig. 3. Flow curve for PC3F2699IUF00.

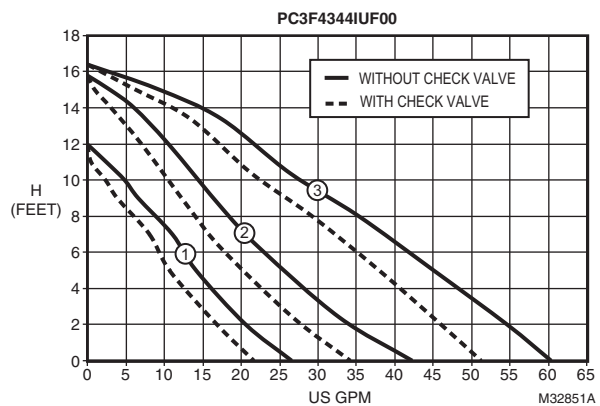


Fig. 4. Flow curve for PC3F4344IUF00.

# INSTALLATION

## CAUTION

**Voltage Hazard.**  
**Can cause electrical shock or equipment damage.**  
**Disconnect power before beginning installation.**

- Read and understand the operating instructions before working on the pump.
- Only operate the pump if it is in perfect operating condition. Only use it as intended; staying aware of safety and risks, and adhering to the instructions in this manual.
- Install the pump in a frost-free, dry, well ventilated area.

### 1. Pump location considerations

- Locate the pump where there is sufficient room for installation and service. It is a good practice to install flanges and service valves (not included) on each side of the pump to allow service without draining the system. It is also good practice to install the circulator inlet as close to the expansion tank outlet as is practical.
- Do not place the pump at the lowest point in the piping system as this is where dirt and sediment collect. Do not place the pump at the highest point in the piping system, either, as this is where air accumulates.

### 2. Pump orientation and flow direction

- The pump may be installed to discharge up or down, left or right, but the motor shaft must be horizontal.
- An arrow on the motor housing indicates the direction of flow (see Fig. 5).

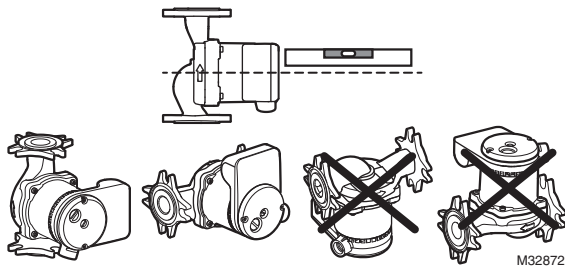


Fig. 5. Install pump so that the motor shaft is horizontal.

### 3. Check Valve installation

If an integrated check valve is desired, one may be purchased separately and installed as follows:

- Ensure that the discharge outlet of the circulator is free of debris.
- Hold the check valve so that the end with the O-ring goes into the pump first. Then press the check valve into the compartment on the outlet side of the circulator. Press firmly until it clicks into place (see Fig. 6).

NOTE: Pump must not be installed in upright orientation.

### 4. Connect the pump

- Connect the pump to the piping system using included flange gaskets.
- If necessary, use pipe hangers on either side of the pump to minimize pipe-strain.

### 5. Changing conduit position (optional)

- It is good practice to install the pump so the conduit connection is pointing downward (see Fig. 7).
- To change where the wiring comes into the pump, support the motor assembly while removing the four (4) screws on the motor assembly using a 5/32 in. (4mm) L-shaped hex head wrench.
- Rotate the motor assembly to the desired position and replace the screws.
- Tighten evenly, moving diagonally from one screw to the next until you reach 44 in.-lbs.
- Check that the rotor shaft turns freely. If it does not turn easily, disassemble and reassemble the unit again.

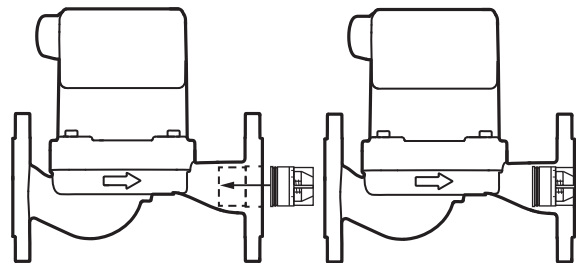


Fig. 6. Check valve installation.

## WIRING

## CAUTION

**Voltage Hazard.**  
**Can cause electrical shock or equipment damage.**  
**Disconnect power before beginning installation.**  
**Wiring must comply with applicable codes, ordinances, and regulations and be performed by a qualified electrician.**

### 6. Electrical connection

- Loosen the two screws securing the wire box cover.
- Use 12 AWG to 14 AWG copper wires (follow local code for any wiring restrictions),
- Connect the line (hot) wire to the L terminal and the neutral wire to the N terminal (max 4.4 in.-lbs). Wire should be rated to 194°F (90°C) or greater and be in accordance with UL 778/13.10.
- Connect the ground wire to the ground screw inside the box. (See Fig. 8).
- Reattach the box cover and ensure that the conduit or wire cable is secure in the strain relief connector.

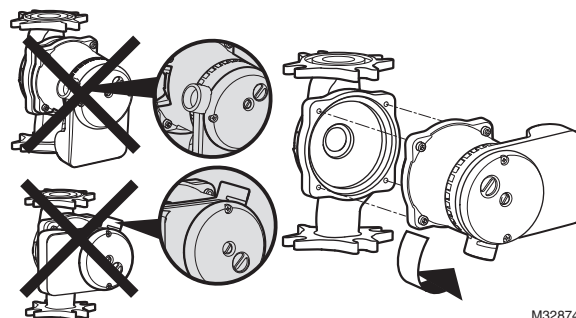


Fig. 7. Changing conduit position on pump.

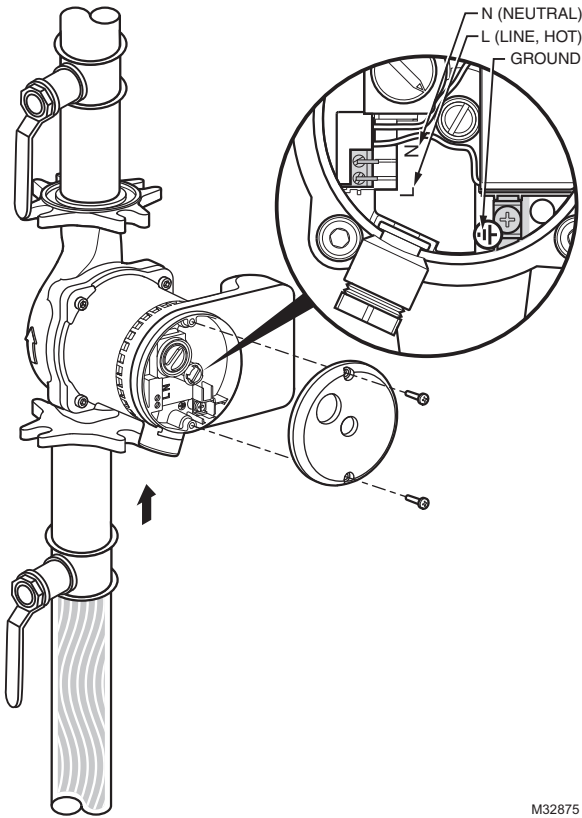


Fig. 8. Circulator pump wiring.

M32875

## PUMP OPERATION

### ⚠ WARNING

**Pump Damage.**

Do not start the pump until it has been filled with water and the system has been purged of air.

### 7. Starting the pump

- Do not start the pump until it has been filled with water and the system has been purged of air.
- Open the service valves on both sides of the pump to fill the system with water. Check for leaks.
- Turn the air vent screw in the middle of the housing counterclockwise until you hear air escape from the system. Placing a rag under the vent holes will help collect water.

- Run the pump with the air vent open. Water will drip from the air vent holes. Then, when all air is vented, close the air vent screw by screwing it clockwise back into place.

### ⚠ WARNING

**Risk of scalding/burning**

Depending on water temperature and pressure of the system, hot vapor or liquid can escape if the air vent screw is completely loosened.

Depending on water temperature and how long the pump has been running, the pump can become very hot.

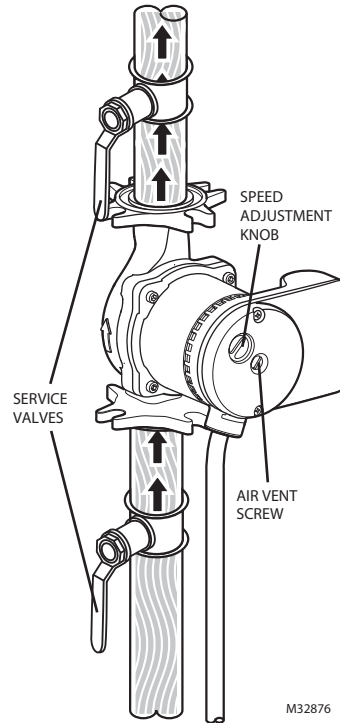


Fig. 9. Bleed the circulator by loosening the air vent screw.

M32876

### 8. Speed selection

- Turn the speed adjustment knob clockwise to increase the speed (see Fig. 9).
- See Figs. 2-4 on page 2 for the flow curves of each pump at the three different speeds.
- Select a speed to obtain proper flow needed for correct system operation.

# PUMP REPLACEMENT

Use this cross-reference tool to meet your installation needs.

**Table 4. Cross Reference for Pump Replacement**

| Resideo       |             |        | Grundfos   |                                   | Taco                                     |                     | Bell & Gossett                   | Armstrong   | Wilo                 |               |
|---------------|-------------|--------|--|-----------------------------------|--|---------------------|----------------------------------|---|----------------------|---------------|
| Model         | Pump Length | Speed  | Single Speed   | 3-Speed                           | Single Speed                             | 3-Speed             |                                  |   | Single Speed         | 3-Speed       |
| PC3F1558IUFO0 | 6.5"        | High   | UP-42F<br>UP-42F-FC                                  | UPS15-58 High<br>UPS15-58-FC High | 005F<br>007F<br>008F<br>008F-IFC         | 00R High<br>00R Med | NRF-22<br>LR-20WR                | Astro 30<br>Astro 30-3<br>Astro 50-3<br>Astro 230C1 | Star 16              | Star S16 High |
|               |             | Medium | UP15-42FC  | UPS15-58 Low<br>UPS15-58-FC Low   | 005F-IFC<br>006F<br>006F-IFC<br>007F-IFC | 00R Low             | NRF9F/LW<br>NRF-25 Med           |   |                      | Star S16 Med  |
|               |             | Low    | UP15-18F<br>UP15-18F-FC                              |                                   |  |                     |                                  |   |                      |               |
| PC3F2699IUFO0 | 6.5"        | High   | UP26-96F<br>UP26-96F-FC<br>UP26-116F<br>UP26-116F-FC | UPS26-99 High<br>UPS26-99-FC High | 0011F<br>0011F-IFC<br>0013F<br>0013F-IFC |                     | NRF-36 Med<br>NRF-45 Med<br>H-41 | E7<br>Astro 50<br>Astro 50-3                        | Star 30F<br>Star 32F | S21 High      |
|               |             | Medium | UP26-64F<br>UP26-99FC                                | UPS26-99 Low<br>UPS26-99-FC Low   | 0014F<br>0014F-IFC                       |                     |                                  |   | Star 17 FX           | S21 Med       |
|               |             | Low    |  |                                   |  |                     | NRF-33                           |   |                      | Star S21 Low  |
| PC3F4344IUFO0 | 8.5"        | High   | UP43-44F<br>UP43-44F-FC                              | UPS43-44 High<br>UPS43-44-FC High |  |                     | HV<br>H-32                       | E16   |                      |               |
|               |             | Medium |  | UPS43-44 Med<br>UPS43-44-FC Med   | 0010F<br>0012F-IFC                       | 0010 Med            | NRF-33                           | H32   |                      |               |
|               |             | Low    |  | UPS43-44 Low<br>UPS43-44-FC Low   | 0010F-IFC                                | 0010 Low            |                                  |   |                      |               |

The information in this table is based on publicly available information as of the date of this publication. Resideo is not liable if information is found to be incorrect.

If the cross-referenced model uses a flow check valve, then use a flow check with the Resideo model as well.

# TROUBLESHOOTING

| Fault                    | Cause  | Action   |
|--------------------------|--|--|
| Pump not running         | No operating voltage                           | Check the electrical system.   |
|                          | Rotor/shaft stuck                              | <ul style="list-style-type: none"> <li>Isolate the pump from the power supply.</li> <li>Remove the vent screw (see Fig. 9).</li> <li>Turn the shaft clockwise using a small screwdriver.</li> <li>Screw in the vent screw.</li> <li>Switch on the pump.</li> </ul> |
| Squealing noise          | Air in the pump                                | <ul style="list-style-type: none"> <li>Verify that water is in the system and the service valves are open.</li> <li>Verify that the pump is installed so that the motor shaft is horizontal (Fig. 5).</li> <li>Bleed the pump</li> </ul>                           |
| Loud noises [> 43 dB(A)] | Pump flow too high                             | Reduce the pump speed using the knob or button   |
|                          | Cavitation due to insufficient supply pressure | <ul style="list-style-type: none"> <li>Check the operating pressure of the system.</li> <li>Verify that the circulator intake is near the expansion tank. Relocate if necessary.</li> </ul>  |
| Pump is hot              | Normal   | It is normal for the pump to feel hot as the cast iron will get about as hot as the water.   |

resideo



# Pompes de circulation à trois vitesses AquaPUMP™

## NOTICE D'INSTALLATION



### APPLICATION

Le circulateur à rotor noyé en ligne PC3F avec bride universelle est conçu pour les applications dans les systèmes de chauffage et de refroidissement à eau chaude à boucle fermée et dans les systèmes alimentés par énergie solaire. La pompe est non submersible et destinée à être utilisée dans des installations sèches, exemptes de gel et bien ventilées.

### CARACTÉRISTIQUES TECHNIQUES

#### Construction :

Moulage : Fonte  
Paliers et arbre : Céramique

#### Spécifications électriques :

115 V c.a. +/- 10 % 60 Hz  
Protection interne contre les surcharges thermiques  
Ampérage : Voir le tableau à la page 2.

**Pression max. :** 145 psi (à température ambiante) ;  
50 psi à 93 °C (200 °F)

#### Pression d'entrée min. :

75 °C (167 °F) : 0,73 psi  
90 °C (194 °F) : 4,1 psi

#### Plage de température :

Ambiant : 0 °C à 40 °C (32 °F à 104 °F)  
Stockage : -40 °C à 38 °C (40 °F à 100 °F)  
Eau : -10 °C à 110 °C (14 °F à 230 °F)  
[à 95 °C (200 °F) avec clapet de non-retour en option installé]

#### Média :

Eau propre ou contenant jusqu'à 20 % de glycol.  
Un maximum de 50 % de glycol peut être utilisé, mais les caractéristiques de débit seront différentes des spécifications si le fluide est plus visqueux.

**Niveau de bruit :** Moins de 43 dB(A) à 1 mètre (3,3 pieds)

#### Normes :

Isolation de classe F  
Classe de température TF 95

**Homologations :** UL/cUL 778, numéro de fichier 4MX8

**Courbes de débit :** Voir figures 2, 3 et 4 à la page 2.

**Connexion à bride :** Bride universelle. Voir la Fig. 1.  
Trous de boulons : 12,7 mm (1/2 po)

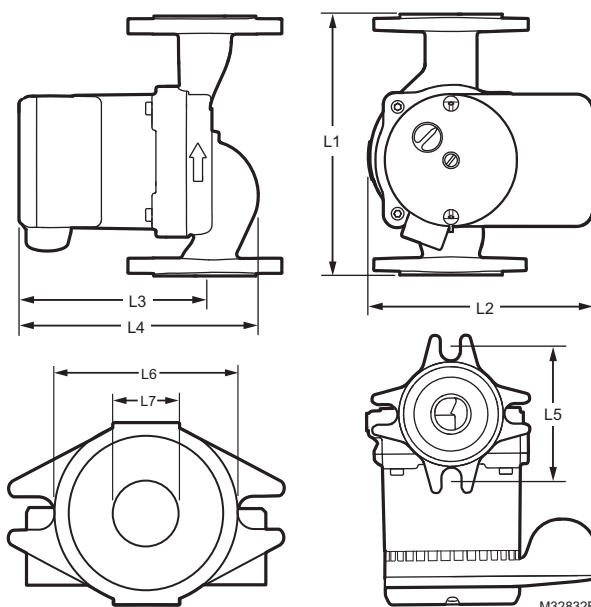


Fig. 1. Dimensions de la pompe en po (mm).

| Modèle de pompe | L1             | L2           | L3           | L4           | L5                         | L6          | L7            |
|-----------------|----------------|--------------|--------------|--------------|----------------------------|-------------|---------------|
| PC3F1558IUF00   | 6,5<br>(165,5) | 5,5<br>(140) | 4,7<br>(118) | 6,6<br>(167) | 3,2 <sup>a</sup><br>(80,2) | 2,6<br>(67) | 0,953<br>(24) |
| PC3F2699IUF00   | 6,5<br>(165,5) | 6,1<br>(155) | 6,5<br>(165) | 7,8<br>(197) | 3,2 <sup>a</sup><br>(80,2) | 2,6<br>(67) | ,953<br>(24)  |
| PC3F4344IUF00   | 8,5<br>(216)   | 6,1<br>(155) | 6,9<br>(174) | 8,9<br>(227) | 3,4 <sup>b</sup><br>(87,3) | 2,6<br>(67) | 0,953<br>(24) |

<sup>a</sup> 3-5/32 po

<sup>b</sup> 3-7/16 po



## DESCRIPTION

Tableau 1. Données en fonction du modèle.

| Modèle de pompe | Débit max. |       | Pression max. |        |
|-----------------|------------|-------|---------------|--------|
|                 | gal./min   | l/min | Pieds         | Mètres |
| PC3F1558IUF00   | 15         | 55,6  | 19,4          | 6      |
| PC3F2699IUF00   | 34         | 92,7  | 31            | 9      |
| PC3F4344IUF00   | 59         | 170   | 17            | 5,2    |

Tableau 2. Pièces de rechange et en option.

| Modèle de pompe | Clapet de non-retour | Joint  |
|-----------------|----------------------|--------|
| PC3F1558IUF00   | PCV100               | PCG100 |
| PC3F2699IUF00   | PCV125               | PCG100 |
| PC3F4344IUF00   | PCV150               | PCG150 |

Tableau 3. Caractéristiques électriques.

| Modèle de pompe | Vitesse 1    |         | Vitesse 2    |         | Vitesse 3    |         |
|-----------------|--------------|---------|--------------|---------|--------------|---------|
|                 | Alimentation | Courant | Alimentation | Courant | Alimentation | Courant |
| PC3F1558IUF00   | 32 W         | 0,28 A  | 55 W         | 0,48 A  | 85 W         | 0,74 A  |
| PC3F2699IUF00   | 125 W        | 1,09 A  | 175 W        | 1,52 A  | 205 W        | 1,78 A  |
| PC3F4344IUF00   | 145 W        | 1,26 A  | 185 W        | 1,61 A  | 210 W        | 1,83 A  |

## COURBES DE DÉBIT

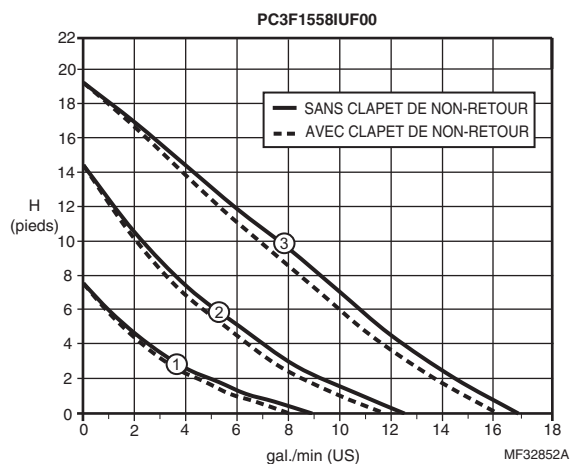


Fig. 2. Courbe de débit pour le PC3F1558IUF00.

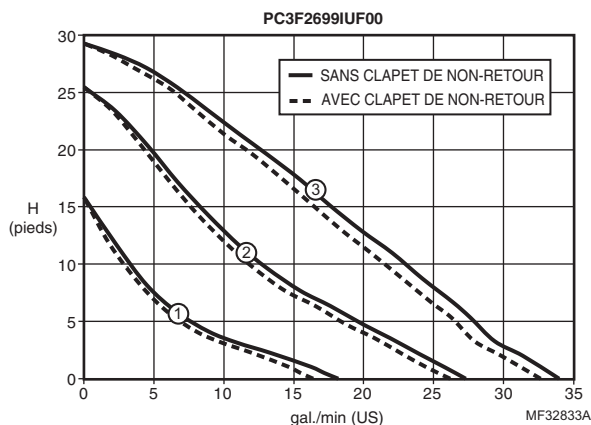


Fig. 3. Courbe de débit pour le PC3F2699IUF00.

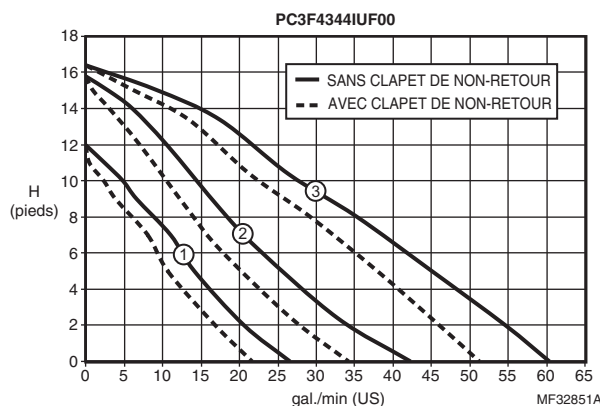


Fig. 4. Courbe de débit pour le PC3F4344IUF00.

## INSTALLATION



### MISE EN GARDE

**Risque de haute tension.**  
**Peut provoquer des chocs électriques ou endommager le matériel.**  
 Couper l'alimentation électrique avant de débiter l'installation.

- Lire et comprendre la notice d'installation avant d'effectuer un service d'entretien sur la pompe.
- N'utiliser la pompe que si elle est en condition de fonctionnement parfaite. Utiliser uniquement pour l'usage prévu, sans oublier les considérations de sécurité et les risques, et en respectant les instructions de ce manuel.
- Installer la pompe dans une zone sèche, exempte de gel et bien ventilée.



## 1. Considérations relatives à l'emplacement de la pompe

- Placer la pompe dans un endroit présentant un espace suffisant pour l'installation et l'entretien. Il est recommandé d'installer des brides et des vannes de service (non incluses) de chaque côté de la pompe pour permettre un entretien sans avoir à purger le système. Il est également recommandé d'installer l'entrée du circulateur aussi près que possible de la sortie du réservoir d'expansion, dans la mesure du possible.
- Ne pas placer la pompe au point le plus bas dans la tuyauterie où la saleté et les sédiments s'accumulent. Ne pas placer non plus la pompe au point le plus haut dans la tuyauterie où l'air s'accumule.

## 2. Orientation de la pompe et direction du débit

- La pompe peut être installée pour une évacuation en bas ou en haut, à gauche ou à droite, mais l'arbre du moteur doit être horizontal.
- Une flèche sur le boîtier du moteur indique la direction du débit (voir la Fig. 5).

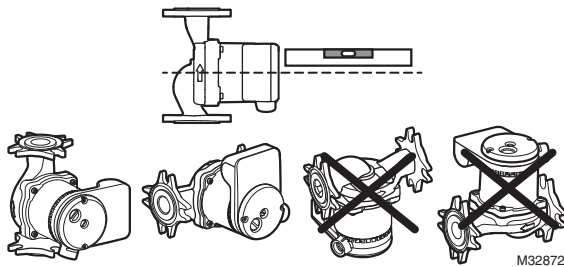


Fig. 5. Installer la pompe pour que l'arbre du moteur soit horizontal.

## 3. Installation du clapet de non-retour

S'il est souhaité d'installer un clapet de non-retour, l'obtenir séparément et l'installer de la façon suivante :

- S'assurer que le robinet d'évacuation du circulateur est exempt de débris.
- Tenir le clapet de non-retour de sorte que l'extrémité munie du joint torique entre dans la pompe en premier. Appuyer ensuite le clapet de non-retour dans le compartiment du côté sortie du circulateur. Appuyer fermement jusqu'à ce qu'il s'enclenche (voir la Fig. 6).

REMARQUE : La pompe ne doit pas être installée orientée verticalement.

## 4. Connexion de la pompe

- Connecter la pompe à la tuyauterie en utilisant les joints à bride inclus.
- Si nécessaire, utiliser des brides de tuyauterie de chaque côté de la pompe pour réduire la tension sur la tuyauterie.

## 5. Modification de la position du conduit (optionnelle)

- Il est recommandé d'installer la pompe de sorte que la connexion de conduit pointe vers le bas (voir la Fig. 7).

- Pour modifier le lieu d'entrée du câblage dans la pompe, soutenir le moteur tout en retirant les quatre (4) vis sur le moteur à l'aide d'une clé hexagonale en L de 5/32 po (4 mm).
- Faire tourner la moteur à la position désirée et replacer les vis.
- Serrer uniformément et en suivant un schéma diagonal d'une vis à l'autre jusqu'à atteindre un couple de 44 po-lb.
- Vérifier que l'arbre du rotor tourne librement. Si ce n'est pas le cas, démonter l'unité et l'assembler de nouveau.

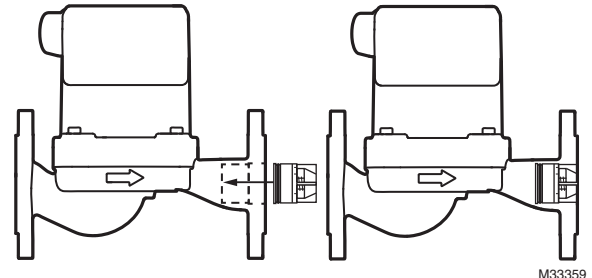


Fig. 6. Installation du clapet de non-retour.

## CÂBLAGE

### ⚠ MISE EN GARDE

Risque de haute tension.

Peut provoquer des chocs électriques ou endommager le matériel.

Couper l'alimentation électrique avant de débiter l'installation.

Le câblage doit être exécuté par un électricien qualifié conformément aux codes, règlements et réglementations applicables.

## 6. Connexions électriques

- Desserrer les deux vis fixant le couvercle du boîtier de câblage.
- Utiliser des fils en cuivre de calibre 12 AWG à 14 AWG (respecter le code électrique local pour toute restriction applicable).
- Brancher le fil secteur (sous tension) à la borne L et le fil neutre à la borne N (max. 4.4 po/lb). Les fils doivent être adaptés à une température nominale de 90 °C (194 °F) ou plus est conforme à la norme UL 778/13.10.
- Brancher le fil de masse à la vis de masse à l'intérieur du boîtier (Voir la Fig. 8).
- Remettre le couvercle et s'assurer que le conduit ou le câblage est bien en place dans le raccord serre-câble.

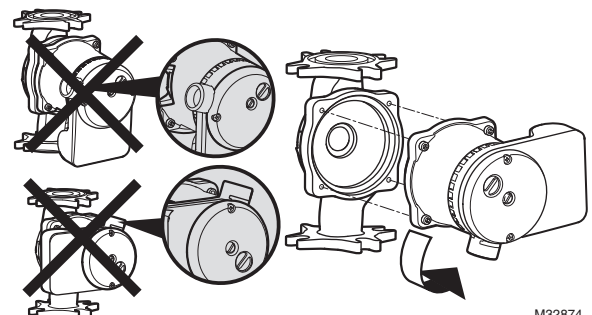


Fig. 7. Modification de la position de conduit sur la pompe.



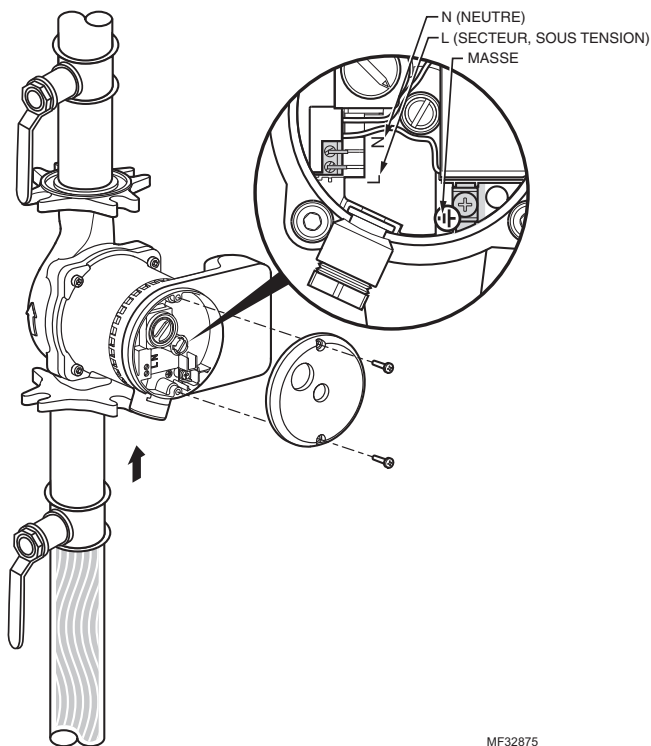


Fig. 8. Câblage de la pompe du circulateur.

## FONCTIONNEMENT DE LA POMPE

### ⚠ AVERTISSEMENT

Risques de dommages à la pompe.  
Ne pas mettre la pompe en marche tant qu'elle n'a pas été remplie d'eau et que le système n'a pas été purgé de son air.

### 7. Démarrage de la pompe

- Ne pas mettre la pompe en marche tant qu'elle n'a pas été remplie d'eau et que le système n'a pas été purgé de son air.
- Ouvrir les vannes de service des deux côtés de la pompe pour remplir le système d'eau. Vérifier qu'il n'y a pas de fuites.
- Tourner la vis d'évent d'air au milieu du boîtier en sens antihoraire jusqu'à entendre l'air s'échapper du système. Un vieux chiffon placé sous les ouvertures d'aération aidera à ramasser l'eau.

- Mettre la pompe en marche avec l'évent d'air ouvert. De l'eau s'égoutte par les orifices d'évent d'air. Lorsque tout l'air est purgé, fermer la vis d'évent d'air en la tournant dans le sens horaire.

### ⚠ AVERTISSEMENT

Risque de brûlures et d'ébullition.

En fonction de la température de l'eau et de la pression du système, de la vapeur ou du liquide chaud peuvent s'échapper si la vis d'évent d'air est complètement desserrée.

En fonction de la température de l'eau et de la durée de fonctionnement de la pompe, la pompe peut devenir très chaude.

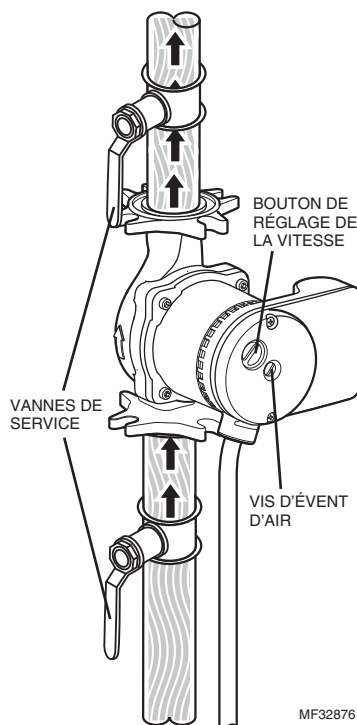


Fig. 9. Purger le circulateur en desserrant la vis d'évent d'air.

### 8. Sélection de la vitesse

- Tourner le bouton de réglage de la vitesse dans le sens horaire pour augmenter la vitesse (voir la Fig. 9).
- Voir les Fig. 2 à Fig. 4 à la page 2 pour les courbes de débit de chaque pompe aux trois vitesses différentes.
- Sélectionner une vitesse pour obtenir le débit adéquat pour un fonctionnement correct du système.

## REPLACEMENT DE LA POMPE

Utiliser cet outil de correspondance pour satisfaire aux besoins de l'installation.

**Tableau 4. Correspondances pour le remplacement de la pompe**

| Resideo       |                      |         | Grundfos   |  | Taco                                     |                             | Bell & Gossett                                 | Armstrong   | Wilo                 |                     |
|---------------|----------------------|---------|--|--|--|-----------------------------|--|---|----------------------|---------------------|
| Modèle        | Longueur de la pompe | Vitesse | Vitesse unique                                       | 3 vitesses                                 | Vitesse unique                           | 3 vitesses                  |  |   | Vitesse unique       | 3 vitesses          |
| PC3F1558IUF00 | 6,5 po               | Haute   | UP-42F<br>UP-42F-FC                                  | UPS15-58 Haute<br>UPS15-58-FC Haute        | 005F<br>007F<br>008F<br>008F-IFC         | 00R Haute<br>00R<br>Moyenne | NRF-22<br>LR-20WR                              | Astro 30<br>Astro 30-3<br>Astro 50-3<br>Astro 230C1 | Star 16              | Star S16<br>Haute   |
|               |                      | Moyenne | UP15-42FC  | UPS15-58 Basse<br>UPS15-58-FC Basse        | 005F-IFC<br>006F<br>006F-IFC<br>007F-IFC | 00R Basse                   | NRF9F/LW<br>NRF-25<br>Moyenne                  |   |                      | Star S16<br>Moyenne |
|               |                      | Basse   | UP15-18F<br>UP15-18F-FC                              |  |  |                             |  |   |                      |                     |
| PC3F2699IUF00 | 6,5 po               | Haute   | UP26-96F<br>UP26-96F-FC<br>UP26-116F<br>UP26-116F-FC | UPS26-99 Haute<br>UPS26-99-FC Haute        | 0011F<br>0011F-IFC<br>0013F<br>0013F-IFC |                             | NRF-36<br>Moyenne<br>NRF-45<br>Moyenne<br>H-41 | E7<br>Astro 50<br>Astro 50-3                        | Star 30F<br>Star 32F | S21 Haute           |
|               |                      | Moyenne | UP26-64F<br>UP26-99FC                                | UPS26-99 Basse<br>UPS26-99-FC Basse        | 0014F<br>0014F-IFC                       |                             |  |   | Star 17 FX           | S21<br>Moyenne      |
|               |                      | Basse   |  |  |  |                             | NRF-33   |   |                      | Star S21<br>Basse   |
| PC3F4344IUF00 | 8,5 po               | Haute   | UP43-44F<br>UP43-44F-FC                              | UPS43-44 Haute<br>UPS43-44-FC Haute        |  |                             | HV<br>H-32                                     | E16   |                      |                     |
|               |                      | Moyenne |  | UPS43-44 Moyenne<br>UPS43-44-FC<br>Moyenne | 0010F<br>0012F-IFC                       | 0010<br>Moyenne             | NRF-33   | H32   |                      |                     |
|               |                      | Basse   |  | UPS43-44 Basse<br>UPS43-44-FC Basse        | 0010F-IFC                                | 0010<br>Basse               |  |   |                      |                     |

Les informations contenues dans ce tableau sont données sur la base des informations publiquement disponibles à la date de la publication. Resideo n'est pas responsable des éventuelles erreurs.

Si le modèle de correspondance utilise un clapet de non-retour, utiliser aussi un clapet de non-retour avec le modèle Resideo.

## DÉPANNAGE

| Panne                      | Cause   | Action  |
|----------------------------|---|---|
| La pompe de fonctionne pas | Pas de tension de fonctionnement                          | Vérifier le système électrique.   |
|                            | Rotor/arbre coincé  | <ul style="list-style-type: none"> <li>Isoler la pompe de l'alimentation.</li> <li>Retirer la vis d'évent (voir la Fig. 9).</li> <li>Tourner l'arbre dans le sens horaire à l'aide d'un petit tournevis.</li> <li>Visser la vis d'évent.</li> <li>Mettre la pompe en marche.</li> </ul>   |
| Bruit de grincement        | Air dans la pompe   | <ul style="list-style-type: none"> <li>Confirmer la présence d'eau dans le système et s'assurer que les robinets de service sont ouverts.</li> <li>Confirmer que la pompe est installée de façon à ce que l'arbre du moteur soit horizontal (Fig. 5).</li> <li>Purger la pompe</li> </ul> |
| Bruits forts [> 43 dB(A)]  | Débit de pompe trop élevé                                 | Réduire la vitesse de la pompe à l'aide de la molette ou du bouton  |
|                            | Cavitation due à une pression d'alimentation insuffisante | <ul style="list-style-type: none"> <li>Vérifier la pression de fonctionnement du système.</li> <li>Vérifier que l'admission du circulateur est proche du réservoir d'expansion. Modifier l'emplacement au besoin.</li> </ul>  |
| La pompe est chaude        | Normal  | Il est normal que la pompe semble chaude, car la fonte adopte sensiblement la même température que l'eau.   |

resideo



# Bombas de circulación de 3 velocidades AquaPUMP™

## INSTRUCCIONES PARA LA INSTALACIÓN



**Sonido:** inferior a 43 dB(A), a razón de 3,3 pies (1 metro)

**Normas:**  
Aislamiento Clase F  
Temperatura Clase TF 95

**Aprobaciones:** UL/cUL 778, número de archivo 4MX8

**Curvas de flujo:** Consulte las Fig. 2, 3 y 4 en la page 2.

**Conexión de brida:** Brida universal. Consulte la Fig. 1.  
Orificios de los pernos: 1/2 in (12.7 mm)

## APLICACIÓN

El circulador de rotor húmedo en línea PC3F con brida universal está diseñado para aplicaciones en sistemas de refrigeración y calefacción hidrónica de circuito cerrado, así como para sistemas de energía solar. La bomba no es sumergible, y puede utilizarse en instalaciones bien ventiladas, secas y libres de congelamiento.

## ESPECIFICACIONES

**Construcción:**  
Pieza fundida: hierro fundido  
Cojinetes y eje: cerámica

**Electricidad:**  
115 V CA +/- 10 %, 60 hz  
Protección contra sobrecarga térmica interna  
Amperaje: consulte la Table on page 2.

**Presión máx.:** 145 psi (a temperatura ambiente);  
50 psi a 200 °F (93 °C)

**Presión mín. de entrada:**  
167 °F (75 °C): 0.73 psi  
194 °F (90 °C): 4.1 psi

**Rango de temperatura:**  
Ambiente: 32 °F a 104 °F (0 °C a 40 °C)  
Almacenaje: 40 °F a 100 °F (-40 °C a 38 °C)  
Agua: 14 °F a 230 °F (-10 °C a 110 °C)  
[a 200 °F (93 °C) con válvula de retención opcional instalada]

**Medios:**  
Agua limpia o agua con glicol al 20 % como máximo.  
Puede utilizarse hasta 50 % de glicol, pero las características de flujo diferirán de estas especificaciones ya que el fluido puede ser más viscoso.

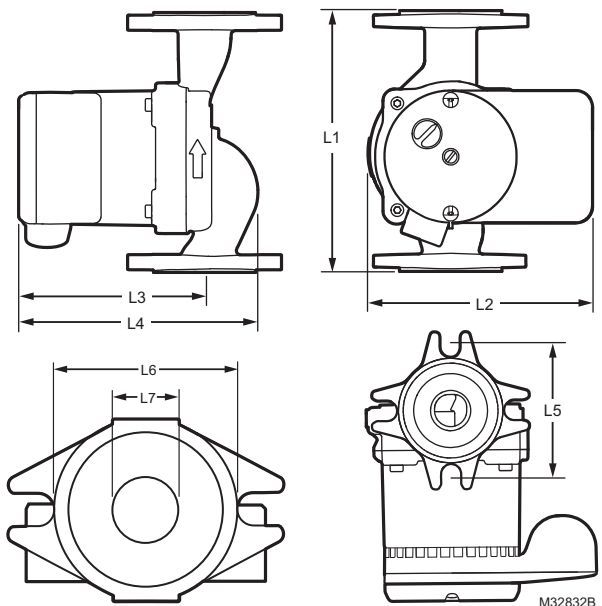


Fig. 1. Dimensiones de la bomba en pulgadas (mm).

| Modelo de bomba | L1             | L2           | L3           | L4           | L5                         | L6          | L7           |
|-----------------|----------------|--------------|--------------|--------------|----------------------------|-------------|--------------|
| PC3F1558IUF00   | 6.5<br>(165.5) | 5.5<br>(140) | 4.7<br>(118) | 6.6<br>(167) | 3.2 <sup>a</sup><br>(80.2) | 2.6<br>(67) | .953<br>(24) |
| PC3F2699IUF00   | 6.5<br>(165.5) | 6.1<br>(155) | 6.5<br>(165) | 7.8<br>(197) | 3.2 <sup>a</sup><br>(80.2) | 2.6<br>(67) | .953<br>(24) |
| PC3F4344IUF00   | 8.5<br>(216)   | 6.1<br>(155) | 6.9<br>(174) | 8.9<br>(227) | 3.4 <sup>b</sup><br>(87.3) | 2.6<br>(67) | .953<br>(24) |

<sup>a</sup> 3-5/32 in.

<sup>b</sup> 3-7/16 in.



# DESCRIPCIÓN

Tabla 1. Información de la bomba según el modelo.

| Modelo de bomba | Flujo máx. |      | Presión máx. en el cabezal |        |
|-----------------|------------|------|----------------------------|--------|
|                 | GPM        | LPM  | Pies                       | Metros |
| PC3F1558IUF00   | 15         | 55.6 | 19.4                       | 6      |
| PC3F2699IUF00   | 34         | 92.7 | 31                         | 9      |
| PC3F4344IUF00   | 59         | 170  | 17                         | 5.2    |

Tabla 2. Repuestos y piezas opcionales.

| Modelo de bomba | Válvula de retención | Junta  |
|-----------------|----------------------|--------|
| PC3F1558IUF00   | PCV100               | PCG100 |
| PC3F2699IUF00   | PCV125               | PCG100 |
| PC3F4344IUF00   | PCV150               | PCG150 |

Tabla 3. Información eléctrica.

| Modelo de bomba | Velocidad 1 |           | Velocidad 2 |           | Velocidad 3 |           |
|-----------------|-------------|-----------|-------------|-----------|-------------|-----------|
|                 | Energía     | Corriente | Energía     | Corriente | Energía     | Corriente |
| PC3F1558IUF00   | 32 W        | 0.28 A    | 55 W        | 0.48 A    | 85 W        | 0.74 A    |
| PC3F2699IUF00   | 125 W       | 1.09 A    | 175 W       | 1.52 A    | 205 W       | 1.78 A    |
| PC3F4344IUF00   | 145 W       | 1.26 A    | 185 W       | 1.61 A    | 210 W       | 1.83 A    |

## CURVAS DE FLUJO

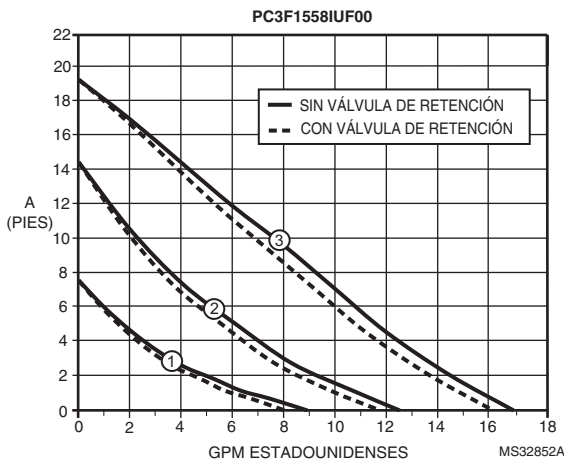


Fig. 2. Curva de flujo para PC3F1558IUF00.

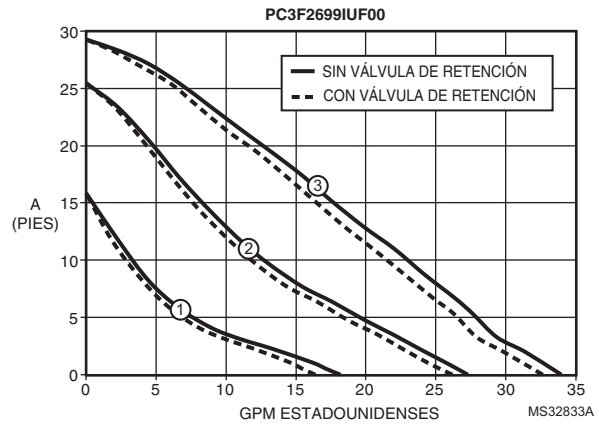


Fig. 3. Curva de flujo para PC3F2699IUF00.

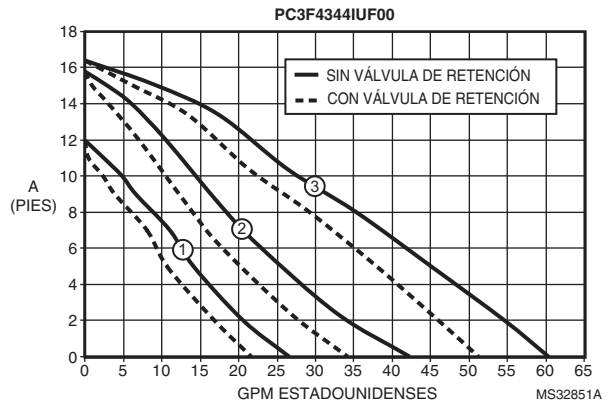


Fig. 4. Curva de flujo para PC3F4344IUF00.

## INSTALACIÓN

### ⚠ PRECAUCIÓN

**Peligro de voltaje.**  
**Puede causar descargas eléctricas o daños al equipo.**  
**Desconecte el suministro eléctrico antes de comenzar la instalación.**

- Lea y comprenda las instrucciones de funcionamiento antes de ponerse a trabajar en la bomba.
- Utilice la bomba únicamente si se encuentra en perfectas condiciones de funcionamiento. Utilícela únicamente para el fin que fue diseñada; tenga en cuenta la información de seguridad y riesgos, y siga las instrucciones de este manual.
- Instale la bomba en un área bien ventilada, seca y libre de congelamiento.

### 1. Consideraciones sobre la ubicación de la bomba

- Coloque la bomba en un lugar con suficiente espacio para la instalación y el mantenimiento. Lo recomendable es instalar bridas y válvulas de servicio (no incluidas) en

ambos extremos de la bomba para poder realizar el servicio de mantenimiento sin vaciar el sistema. También se recomienda instalar la entrada del circulador lo más cerca posible de la salida del tanque de expansión.

- No coloque la bomba en el punto más bajo del sistema de tubería, ya que allí es donde se acumulan sedimentos y suciedades. Tampoco coloque la bomba en el punto más alto del sistema de tubería, ya que allí es donde se acumula el aire.

## 2. Orientación de la bomba y dirección del flujo

- La bomba se puede instalar para descargar hacia arriba o hacia abajo, hacia la izquierda o la derecha, pero el eje del motor deberá quedar horizontal.
- Una flecha en la carcasa del motor indica la dirección del flujo (consulte la Fig. 5).

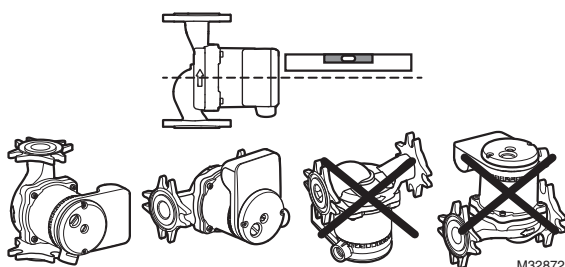


Fig. 5. Instale la bomba de manera que el eje del motor quede horizontal.

## 3. Instalación de la válvula de retención

Si desea una válvula de retención integrada, puede adquirir una por separado e instalarla según se indica a continuación:

- Cerciórese de que el conducto de salida de la descarga del circulador no tenga desechos.
- Sostenga la válvula de retención de manera que el extremo con la junta tórica entre primero en la bomba. Luego, presione la válvula de retención en el compartimiento del lado de la salida del circulador. Presione bien hasta que encaje en su lugar (consulte la Fig. 6).

NOTA: La bomba no deberá instalarse con orientación vertical.

## 4. Conexión de la bomba

- Conecte la bomba al sistema de tubería con las juntas para brida incluidas.
- Si fuera necesario, utilice soportes colgantes para tubería en ambos lados de la bomba para minimizar la tensión de la tubería.

## 5. Cambio de la posición del conducto (opcional)

- Es recomendable instalar la bomba de manera que la conexión del conducto quede orientada hacia abajo (consulte la Fig. 7).
- Para cambiar el lugar donde el cableado ingresa en la bomba, sostenga el ensamble del motor mientras quita los cuatro (4) tornillos del ensamble del motor utilizando una llave hexagonal en L de 5/32 in (4 mm).

- Gire el ensamble del motor hasta la posición deseada y vuelva a colocar los tornillos.
- Ajuste en forma pareja, moviéndose diagonalmente de un tornillo a otro hasta alcanzar las 44 in-lb.
- Verifique que el eje del rotor gire libremente. Si no gira fácilmente, desarme la unidad y vuélvala a armar.

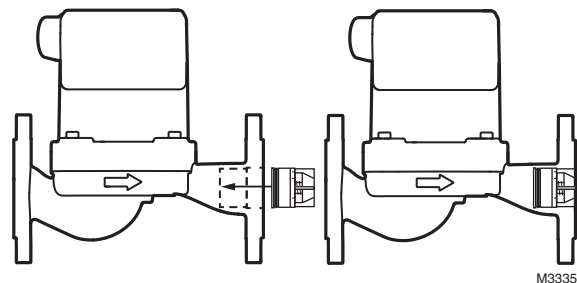


Fig. 6. Revise la válvula de retención.

## CABLEADO

### ! PRECAUCIÓN

Peligro de voltaje.

Puede causar descargas eléctricas o daños al equipo. Desconecte el suministro eléctrico antes de comenzar la instalación.

El cableado debe cumplir con los códigos, las ordenanzas y las reglamentaciones correspondientes, y debe ser realizado por un electricista calificado.

## 6. Conexión eléctrica

- Afloje los dos tornillos que aseguran la cubierta de la caja de cables.
- Utilice cables de cobre de 12 AWG a 14 AWG (siga los códigos locales para toda restricción relacionada con el cableado).
- Conecte el cable (activo) de la línea al terminal L y el cable neutro al terminal N (máx 4.4 in-lb). El cable debe estar clasificado para 194 °F (90 °C) o más y debe estar de acuerdo con UL 778/13.10.
- Conecte el cable de conexión a tierra al tornillo de conexión a tierra que se encuentra dentro de la caja. (Consulte la Fig. 8).
- Vuelva a fijar la cubierta de la caja y cerciórese de que el tubo o el cable esté asegurado en el conector de alivio de tensión.

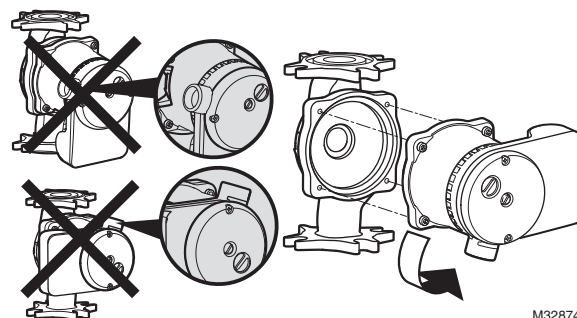


Fig. 7. Cambio de la posición del conducto en la bomba.

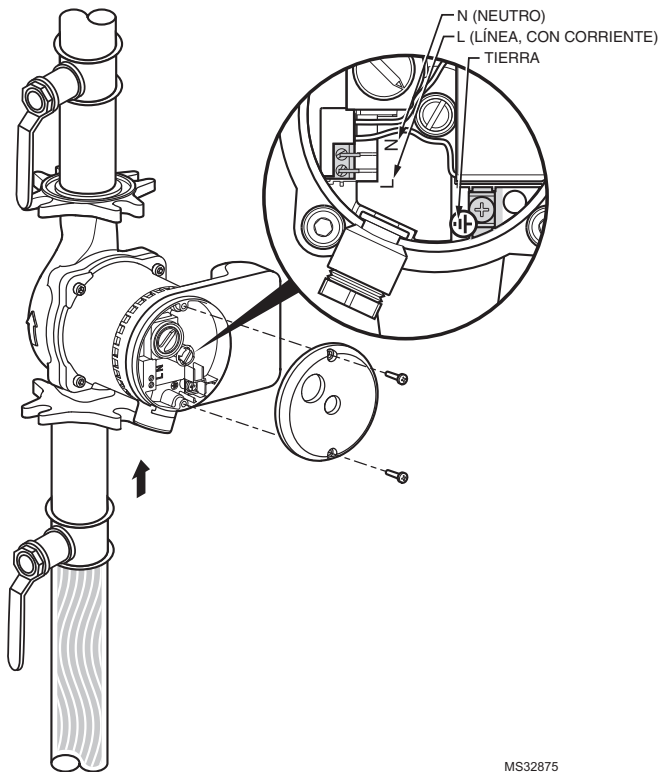


Fig. 8. Cableado de la bomba del circulador.

## FUNCIONAMIENTO DE LA BOMBA

### ⚠ ADVERTENCIA

**Daños a la bomba.**  
No encienda la bomba hasta que se haya llenado con agua y se haya purgado el aire del sistema.

### 7. Encendido de la bomba

- No encienda la bomba hasta que se haya llenado con agua y se haya purgado el aire del sistema.
- Abra las válvulas de servicio de ambos lados de la bomba para llenar con agua el sistema. Revise si hay fugas.
- Gire el tornillo del purgador ubicado en el centro de la carcasa en sentido antihorario hasta escuchar que se libera el aire del sistema. Colocar un paño debajo de los orificios de ventilación contribuirá a recoger el agua.

- Ponga en funcionamiento la bomba con el purgador abierto. Goteará agua desde los orificios del purgador. Luego, cuando se haya purgado todo el aire, cierre el tornillo del purgador enroscándolo en sentido horario hasta que quede ajustado en su lugar.

### ⚠ ADVERTENCIA

**Riesgo de escaldadura/quemadura.**  
Según la temperatura del agua y la presión del sistema, puede escaparse vapor o líquido caliente si el tornillo del purgador se afloja por completo. Según la temperatura del agua y el tiempo que estuvo en funcionamiento la bomba, esta puede calentarse mucho.

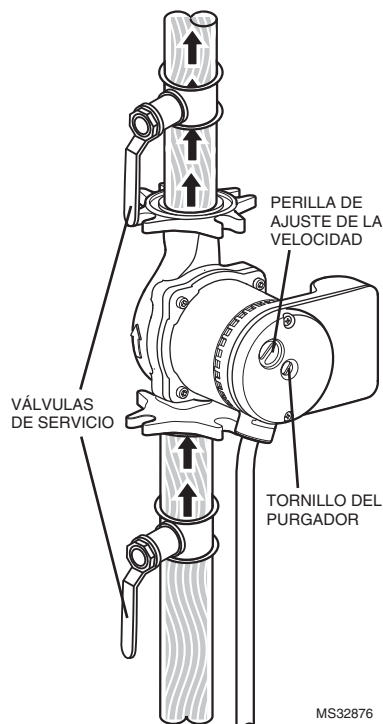


Fig. 9. Purgue el circulador aflojando el tornillo del purgador.

### 8. Selección de la velocidad

- Gire la perilla de ajuste de la velocidad en sentido horario para aumentar la velocidad (consulte la Fig. 9).
- Consulte las Fig. 2-4 en la page 2 para ver las curvas de flujo de cada bomba en las tres velocidades diferentes.
- Seleccione una velocidad para lograr el flujo adecuado necesario para el correcto funcionamiento del sistema.

## REEMPLAZO DE LA BOMBA

Utilice esta herramienta de referencia cruzada para satisfacer sus necesidades de instalación.

**Tabla 4. Referencia cruzada para el reemplazo de la bomba**

| Resideo       |                      |           | Grundfos   |                                     | Taco                                     |                       | Bell & Gossett                       | Armstrong   | Wilo                 |                |
|---------------|----------------------|-----------|--|-------------------------------------|--|-----------------------|--------------------------------------|---|----------------------|----------------|
| Modelo        | Longitud de la bomba | Velocidad | Velocidad única                                      | 3 velocidades                       | Velocidad única                          | 3 velocidades         |                                      |   | Velocidad única      | 3 velocidades  |
| PC3F1558IUF00 | 6.5 in               | Alta      | UP-42F<br>UP-42F-FC                                  | UPS15-58 Alta<br>UPS15-58-FC Alta   | 005F<br>007F<br>008F<br>008F-IFC         | 00R Alta<br>00R Media | NRF-22<br>LR-20WR                    | Astro 30<br>Astro 30-3<br>Astro 50-3<br>Astro 230C1 | Star 16              | Star S16 Alta  |
|               |                      | Media     | UP15-42FC  | UPS15-58 Baja<br>UPS15-58-FC Baja   | 005F-IFC<br>006F<br>006F-IFC<br>007F-IFC | 00R Baja              | NRF9F/LW<br>NRF-25 Media             |   |                      | Star S16 Media |
|               |                      | Baja      | UP15-18F<br>UP15-18F-FC                              |                                     |  |                       |                                      |   |                      |                |
| PC3F2699IUF00 | 6.5 in               | Alta      | UP26-96F<br>UP26-96F-FC<br>UP26-116F<br>UP26-116F-FC | UPS26-99 Alta<br>UPS26-99-FC Alta   | 0011F<br>0011F-IFC<br>0013F<br>0013F-IFC |                       | NRF-36 Media<br>NRF-45 Media<br>H-41 | E7<br>Astro 50<br>Astro 50-3                        | Star 30F<br>Star 32F | S21 Alta       |
|               |                      | Media     | UP26-64F<br>UP26-99FC                                | UPS26-99 Baja<br>UPS26-99-FC Baja   | 0014F<br>0014F-IFC                       |                       |                                      |   | Star 17 FX           | S21 Media      |
|               |                      | Baja      |  |                                     |  |                       | NRF-33                               |   |                      | Star S21 Baja  |
| PC3F4344IUF00 | 8.5 in               | Alta      | UP43-44F<br>UP43-44F-FC                              | UPS43-44 Alta<br>UPS43-44-FC Alta   |  |                       | HV<br>H-32                           | E16   |                      |                |
|               |                      | Media     |  | UPS43-44 Media<br>UPS43-44-FC Media | 0010F<br>0012F-IFC                       | 0010 Media            | NRF-33                               | H32   |                      |                |
|               |                      | Baja      |  | UPS43-44 Baja<br>UPS43-44-FC Baja   | 0010F-IFC                                | 0010 Baja             |                                      |   |                      |                |

La información incluida en esta tabla se basa en información disponible al público en general en la fecha de esta publicación. Resideo no es responsable si hubiera información incorrecta.

Si el modelo de referencia cruzada utiliza una válvula de retención de flujo, entonces utilice también una válvula de retención de flujo en el modelo de Resideo.

## LOCALIZACIÓN Y SOLUCIÓN DE PROBLEMAS

| Falla                       | Causa   | Acción  |
|-----------------------------|---|---|
| La bomba no funciona        | No hay voltaje de funcionamiento.                           | Verifique el sistema eléctrico.   |
|                             | El rotor/eje se atascó.                                     | <ul style="list-style-type: none"> <li>Aleje la bomba del suministro eléctrico.</li> <li>Quite el tornillo del purgador (consulte la Fig. 9).</li> <li>Gire el eje en sentido horario con un destornillador pequeño.</li> <li>Enrosque el tornillo del purgador.</li> <li>Encienda la bomba.</li> </ul> |
| Ruido chirriante            | Aire en la bomba.   | <ul style="list-style-type: none"> <li>Verifique que haya agua en el sistema y que las válvulas de servicio estén abiertas.</li> <li>Verifique que la bomba esté instalada de manera que el eje del motor esté horizontal (Fig. 5).</li> <li>Purgue la bomba.</li> </ul>                                |
| Ruidos fuertes [> 43 dB(A)] | El flujo de la bomba es muy alto.                           | Reduzca la velocidad de la bomba con la perilla o el botón.   |
|                             | Hay cavitación debido a insuficiente presión de suministro. | <ul style="list-style-type: none"> <li>Verifique la presión de funcionamiento del sistema.</li> <li>Verifique que la entrada del circulador se encuentre cerca del tanque de expansión. Reubique si fuese necesario.</li> </ul>   |
| La bomba está caliente      | Normal.   | Es normal que la bomba se caliente, ya que el hierro fundido se calienta tanto como el agua.  |



## BOMBAS DE CIRCULACIÓN DE 3 VELOCIDADES AQUAPUMP™

Este aparato no se destina para utilizarse por personas (incluyendo niños) cuyas capacidades físicas, sensoriales o mentales sean diferentes o estén reducidas, o carezcan de experiencia o conocimiento, a menos que dichas personas reciban una supervisión o capacitación para el funcionamiento del aparato por una persona responsable de su seguridad.

Los niños deben supervisarse para asegurar que ellos no empleen los aparatos como juguete.

Esta bomba debe conectarse a la red eléctrica de acuerdo con lo estipulado en la NOM-001-SEDE-Vigente.

La bomba debe alimentarse por un circuito que integre un dispositivo diferencial residual, el cual tenga una corriente residual de operación nominal no mayor que 30 mA.

### Altura manométrica total:

| Modelo de bomba | Pies | Metros |
|-----------------|------|--------|
| PC3F1558IUF00   | 19.4 | 6      |
| PC3F2699IUF00   | 31   | 9      |
| PC3F4344IUF00   | 17   | 5.2    |

*AquaPUMP™ is a trademark of Resideo Technologies, Inc.*

*AquaPUMP™ est une marque de commerce de Resideo Technologies inc.*

*AquaPUMP™ es una marca registrada de Resideo Technologies, Inc.*



Resideo Technologies, Inc.  
1985 Douglas Drive North, Golden Valley, MN 55422  
1-800-468-1502

www.resideo.com 62-0383EFS-11 M.S. Rev. 09-22 | Printed in United States