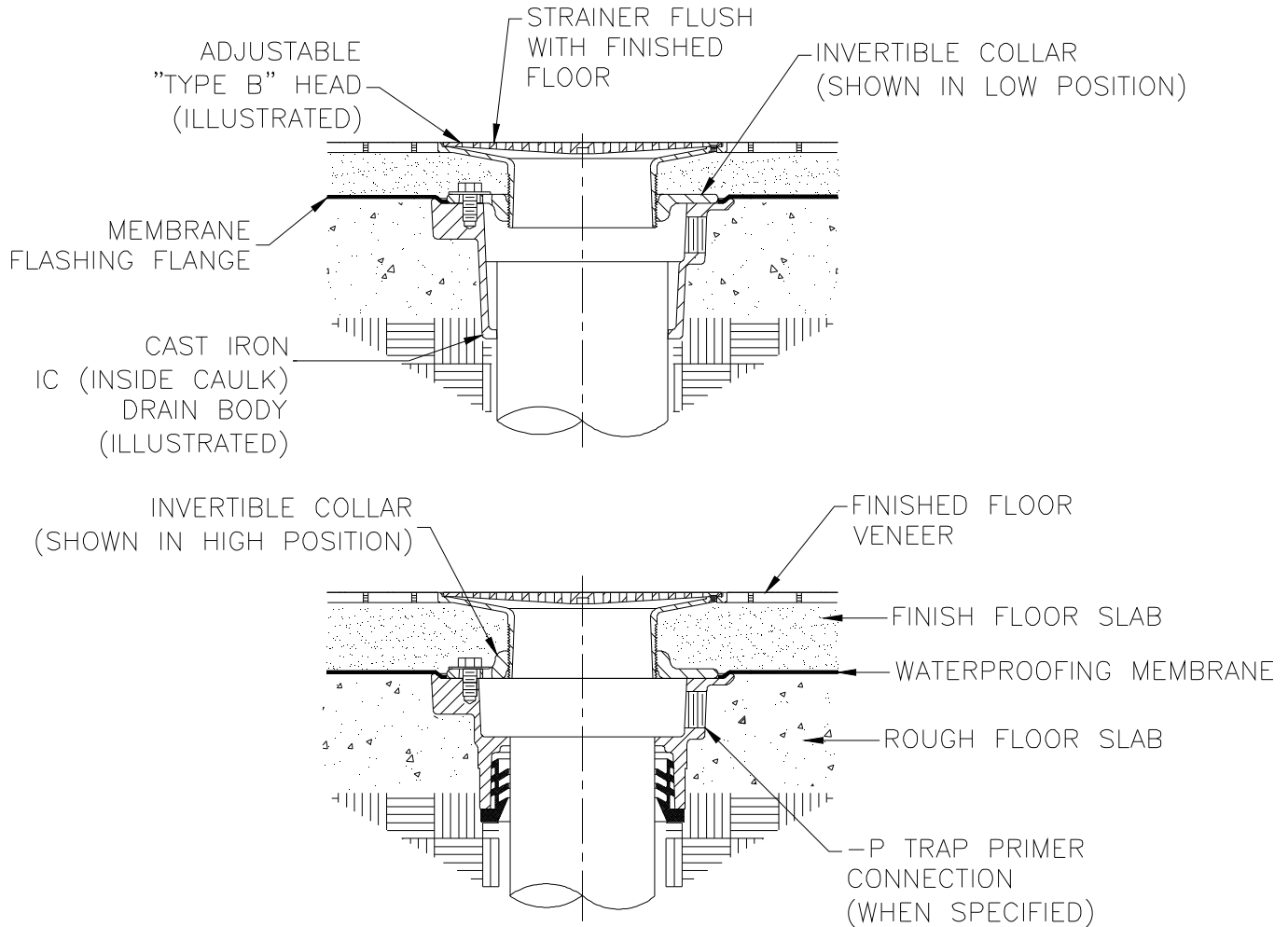




TYPICAL INSTALLATION FOR Z415 FLOOR DRAIN

Dimensional Data (inches and [mm]) are Subject to Manufacturing Tolerances and Change Without Notice



Z415 FLOOR DRAIN

The Z415 Zurn Floor Drain can be installed in most floor construction. The drain pipe is run to an elevation below the expected finished floor level, so that the drain top will be flush with (or slightly below) the finished floor. Dimensional data for all drain heights and outlet types are shown in the Engineering Handbook, and on Zurn Submittal Drawings. The drain body is secured to the pipe with any of four connections, Threaded, No-Hub, Inside Caulk or the Neo-Loc. The type of connection should be specified upon ordering any Zurn drain. Once the drain is set in place, the initial concrete sub-floor is poured to an elevation level with the top flange of the drain body. The waterproofing membrane is then run up to and over the flange. The invertible clamping collar is then placed on the drain and secured. The strainer is then screwed into the invertible clamping collar and finished floor is poured to finished grade. Note the Z415 collar can be used in the high or low position to change the total adjustment of the head elevation (for example, the 5" "Type B" adjustment in the low position is 1 [25] - 1-1/2 [38] and in the high position 1-3/32 [28] - 2-1/4 [57]). Also, care should be taken to protect the top finish during installation, through the use of cardboard, tape or other protective material applied by the plumber.

Form # FD15

Date: 1/31/11

C.N. No. 120820

Rev. A

ZURN INDUSTRIES, LLC. ♦ SPECIFICATION DRAINAGE OPERATION ♦ 1801 Pittsburgh Ave. ♦ Erie, PA 16514

Phone: 814/455-0921 ♦ Fax: 814/454-7929 ♦ World Wide Web: www.zurn.com

In Canada: ZURN INDUSTRIES LIMITED ♦ 3544 Nashua Drive ♦ Mississauga, Ontario L4V1L2 ♦ Phone: 905/405-8272 Fax: 905/405-1292