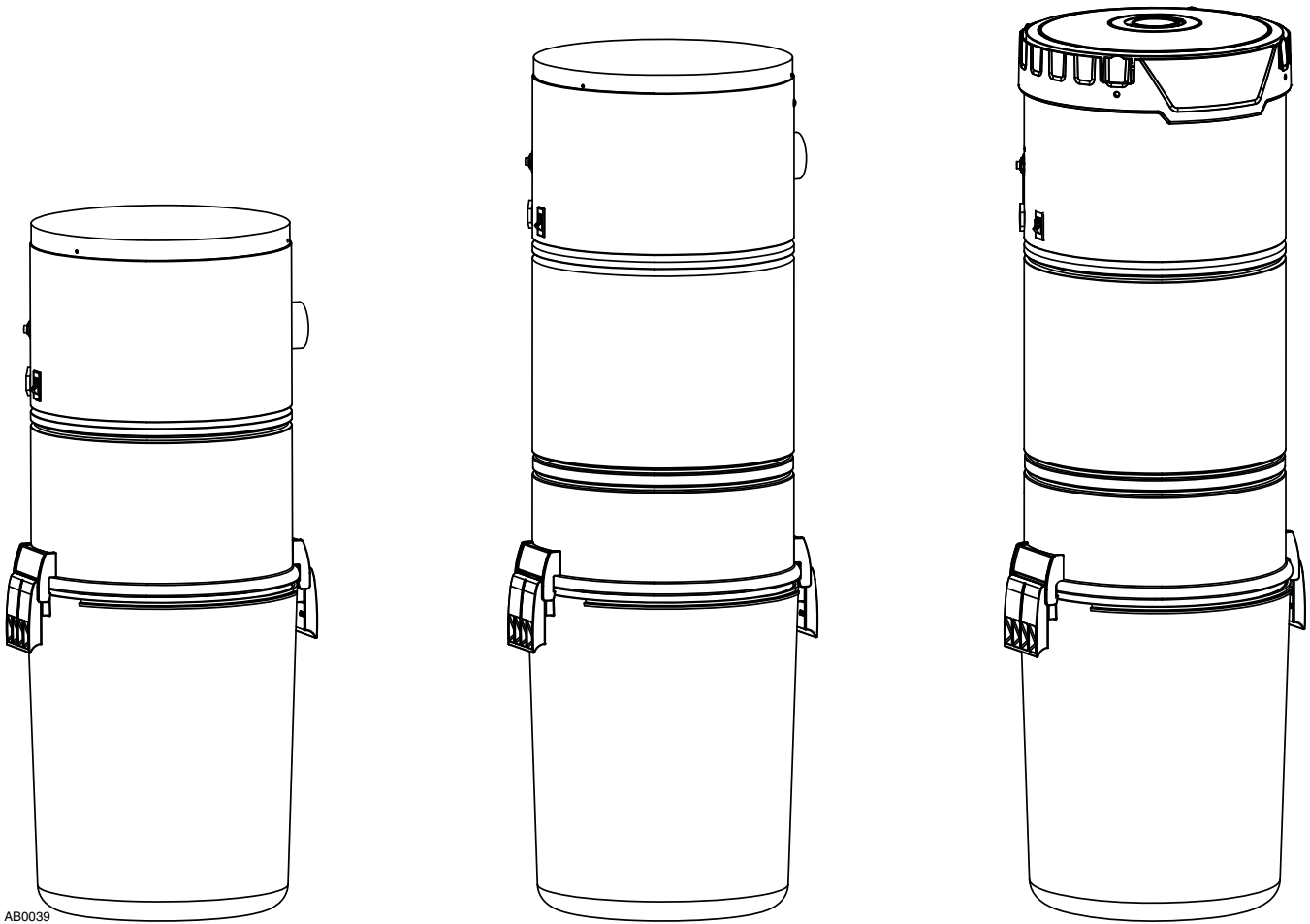


## CENTRAL VACUUM POWER UNITS PUREPOWER SERIES PP5501, PP6501 & PP7001



AB0039

⚠ FOR RESIDENTIAL USE ONLY ⚠

BROAN-NU TONE LLC; HARTFORD, WISCONSIN [WWW.NUTONE.COM](http://WWW.NUTONE.COM) 1-888-336-3948

REGISTER YOUR PRODUCT ONLINE AT: [WWW.NUTONE.COM/REGISTER](http://WWW.NUTONE.COM/REGISTER)



# IMPORTANT SAFETY INSTRUCTIONS

**SAVE THESE INSTRUCTIONS  
READ ALL INSTRUCTIONS BEFORE USING THIS APPLIANCE**

When using an electrical appliance, basic precautions should always be followed, including the following:

## **WARNING** ⚠

### **To reduce the risk of fire, electric shock or injury:**

1. Do not use on wet surfaces or outdoors.
2. Do not vacuum liquids or fine powders (such as drywall dust).
3. Do not use to pick up flammable or combustible liquids such as gasoline or use in areas where they may be present.
4. Do not pick up anything that is burning or smoking, such as cigarettes, matches, or hot ashes.
5. Do not allow to be used as a toy. Close attention is necessary when used by or near children.
6. Use only as described in this manual. Use only manufacturer's recommended attachments.
7. Keep hair, loose clothing, fingers and all parts of body away from openings and moving parts.
8. Turn off all controls before unplugging.
9. Use extra care when cleaning on stairs.
10. Do not handle plug or appliance with wet hands.
11. Do not use with damaged cord or plug. If appliance is not working as it should, if it has been dropped, damaged, left outdoors, or dropped into water, return it to a Service Center.
12. Keep your work area well lighted.
13. Connect to a properly grounded outlet only. See grounding instructions shown on page 10.
14. When performing installation, servicing or cleaning the unit, it is recommended to wear safety glasses and gloves.

## **CAUTION**

1. Do not put any object into openings. Do not use with any opening blocked; keep free of dust, lint, hair and anything that may reduce air flow.
2. Ensure air flows freely and exhausts unobstructed from top or side outlet.
3. Do not use without filter (or filters, according to the model) in place.
4. Do not use to blow leaves or debris.
5. Do not place any object on top of the unit.
6. Do not install the unit horizontally.
7. Do not use the pail as a wash bucket.
8. Do not use the pail as a stool.
9. Avoid picking up sharp objects.
10. This appliance is for use on a standard 120 VAC, dedicated 20-amp branch circuit.
11. Do not unplug the unit by pulling on cord. To unplug, grasp the plug, not the cord.
12. Store your vacuum cleaner indoors in a clean, dry area, and away from extreme temperatures.
13. Any servicing other than that recommended in this manual should be performed by an authorized service facility.
14. We recommend that your unit be inspected by a specialized technician once a year.

# TABLE OF CONTENTS

---

<b>SYSTEM PLANNING LAYOUT</b> . . . . .	<b>4-5</b>
THE RANCH STYLE HOUSE . . . . .	4
THE TWO-STORY HOUSE . . . . .	4
THE SPLIT-LEVEL HOUSE . . . . .	4
LOCATING THE POWER UNIT . . . . .	5
THE RANCH STYLE HOUSE . . . . .	5
TUBING AND WALL INLET LOCATIONS . . . . .	5
<b>GENERAL INSTALLATION GUIDE</b> . . . . .	<b>5-6</b>
TOOL LISTING . . . . .	5
WORKING WITH PLASTIC TUBING . . . . .	5-6
<b>INSTALLATION IN NEW CONSTRUCTION</b> . . . . .	<b>7-10</b>
WALL INLET ROUGH-IN . . . . .	7
INSTALLING THE TUBING . . . . .	8
WALL INLET INSTALLATION . . . . .	9
CI399 ELECTRAVALVE™ ELECTRIFIED INLET INSTALLATION (CI399RK ROUGH-IN) . . . . .	10
<b>CI1358 SUPERVALVE™ WALL INLET &amp; ROUGH-IN KIT</b> . . . . .	<b>11</b>
<b>INSTALLATION IN EXISTING CONSTRUCTION</b> . . . . .	<b>12-18</b>
LOCATING ACCESS KEYS IN EXISTING CONSTRUCTION . . . . .	12
AVOIDING IN-WALL OBSTACLES . . . . .	12
INSTALLING THE INLET TUBING . . . . .	12-14
WALL INLET INSTALLATION . . . . .	14-16
C370 OR 360 SERIES INLETS (CF361 OR CF361F ROUGH-IN) . . . . .	16-17
MODEL 330 SERIES WALL INLET INSTALLATION (CF329 ROUGH-IN) . . . . .	17-18
FLOOR INLET INSTALLATION IN NEW AND EXISTING CONSTRUCTION . . . . .	18
<b>CI377W CANSWEEP® UNDER CABINET INSTALLATION</b> . . . . .	<b>19-20</b>
<b>CI377W CANSWEEP® BASEBOARD WALL INSTALLATION</b> . . . . .	<b>21</b>
<b>ASSEMBLING THE TUBING SYSTEM</b> . . . . .	<b>22-24</b>
<b>POWER UNIT INSTALLATION</b> . . . . .	<b>25-27</b>
CHANGING INTAKE LINE DIRECTION . . . . .	25
CONVERTING POWER UNIT FROM CYCLONIC OPERATION TO A BAGGED SYSTEM (DEBRIS BAG INCLUDED) . . . . .	25
MOUNTING THE POWER UNIT . . . . .	26
FITTING MAIN LINE TO POWER UNIT . . . . .	27
<b>GROUNDING INSTRUCTIONS</b> . . . . .	<b>27</b>
WIRING . . . . .	27
<b>FINAL SYSTEM CHECK</b> . . . . .	<b>28</b>
<b>WARRANTY</b> . . . . .	<b>28</b>
<b>TROUBLESHOOTING GUIDE</b> . . . . .	<b>29</b>
<b>SERVICE PARTS</b> . . . . .	<b>30</b>

# SYSTEM PLANNING AND LAYOUT

The NuTone central cleaning system consists of a power unit, PVC tubing and fittings, wall inlets, a flexible hose and various cleaning attachments.

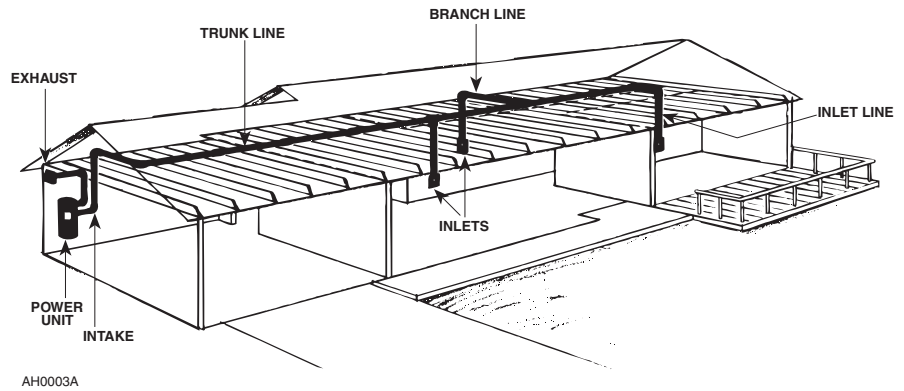
The power unit is designed to be wall-mounted away from the living area of the home and connected to the living area by means of permanently installed in-wall tubing, fittings and inlets.

Generally, an installation will require 3 to 4 inlets and 16 to 20 feet of tubing per inlet. It is suggested that a floor plan be used to more accurately determine the quantity of materials needed.

Use the following examples as an aid in planning the installation in either new or existing construction. You should be able to adapt the examples shown to your specific home layout.

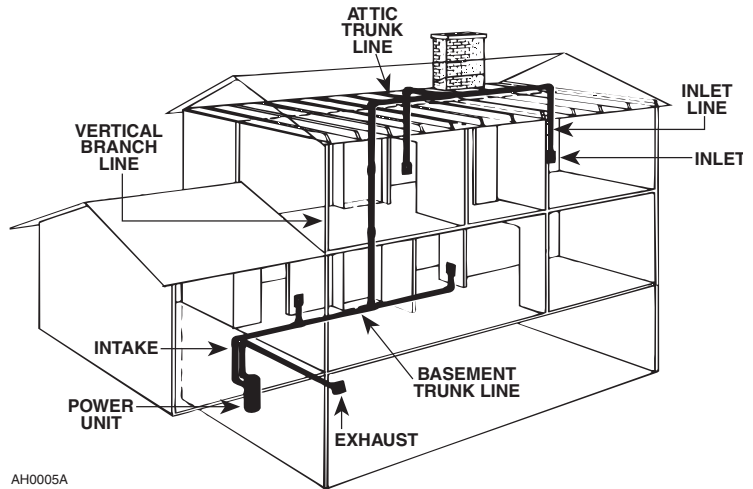
## THE RANCH STYLE HOUSE

Here the power unit is mounted in the garage. The intake and exhaust tubing, the only exposed tubing in the installation, runs up the garage wall and into the attic. The trunk line runs horizontally through the attic from the power unit to the farthest inlet location. Branch lines spread throughout the attic, connecting the trunk line to the inlet tubing. Each inlet tube is threaded vertically through an inside wall. Located in hallways and in large rooms, the inlets are placed to provide maximum access to all cleaning areas. See figure at right.



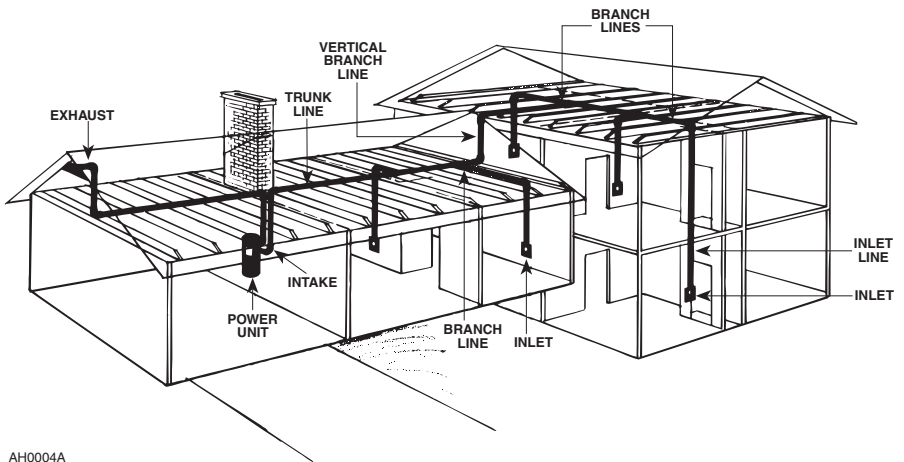
## THE TWO-STORY HOUSE

A double-trunk line system is commonly used in two-story houses. In the installation shown at right, the power unit is mounted in the basement. The intake tubing runs up the basement wall and connects to the main trunk line, which runs along the unfinished basement ceiling. Two first-floor inlets are connected to the basement trunk line by vertical inlet lines run through interior walls. In the center of the house, a vertical branch line runs from the basement trunk line, through stacked closets, up into the attic. A second trunk line runs across the attic and two branch lines connect to inlet lines which are dropped down through upstairs interior walls. See figure at right.



## THE SPLIT-LEVEL HOUSE

Like the two-story house, the split level installation commonly calls for a two-level trunk line. Here, the power unit is located in the garage. The intake tubing runs exposed up the garage wall and into the ground level section's attic. Two branch lines connect this part of the trunk line to inlet lines which are dropped inside interior walls. A vertical branch line runs to the upstairs attic, where the trunk line branches into a T-shape. This trunk line connects to two upstairs inlet lines and to one inlet line which drops through an upstairs wall and down into the third-level utility room to service this entire level. See figure at right.



# SYSTEM PLANNING AND LAYOUT (CONT'D)

## ⚠ WARNING

Do not install outdoors. When performing installation, servicing or cleaning the unit, it is recommended to wear safety glasses and gloves.

## LOCATING THE POWER UNIT

- Locate the power unit away from the general living area in an accessible location for cleaning and maintenance.
- When planning the installation of PP7001 power unit, remember it is equipped with an inlet to service a garage, basement, utility room, etc., wherever it is located.
- Locate the power unit within 6 feet of a grounded electrical outlet. The power unit requires a 120 VAC power source.
- Do not locate the power unit close to a source of extreme heat (i.e.: water heater) or in an area with a high ambient temperature (i.e.: attic, furnace room).
- If the power unit is located in a closet or a small utility room, make sure the area is well-ventilated (e.g.: with door louvers).
- Exhausting the power unit to the outside is recommended for optimal performance. The exhaust should not be vented into a wall, a ceiling or a concealed space in the house. The exhaust line should be vented outside the home using a Model 393 or CI330 wall caps.

## TUBING AND WALL INLET LOCATIONS

- ① Locate inlets on interior walls, choosing central locations which allow several rooms to be cleaned from a single inlet using a 30-foot long hose.
- ② The tubing installation should consist of a main trunk line running from the farthest wall inlet to the power unit location, with branch lines running to each additional inlet. Keep all tubing lines as straight as possible and use as few fittings as possible.
- ③ Beginning at the area farthest from the power unit, choose a tentative inlet location. Measure 30 feet from the proposed inlet location to the farthest corner of the rooms to be cleaned by that inlet to determine if inlet location is proper. If working from blueprints (or building plans drawn at  $1/4" = 1 \text{ ft.}$  scale), use a  $7\frac{1}{2}"$  chain as your guide to determine inlet locations.
- ④ Locate inlets within six feet of an electrical receptacle to allow use of optional current-carrying hose.
- ⑤ Be sure inlets will not be blocked by doors or furniture.
- ⑥ Be sure inlets will not interfere with electrical, plumbing or other mechanical installations.
- ⑦ Move tentative inlet location if necessary. Use the same procedure to determine each additional inlet location, always working toward the power unit.

# GENERAL INSTALLATION GUIDE

## ⚠ WARNING

When applicable local regulations comprise more restrictive installation and/or certification requirements, the aforementioned requirements prevail on those of this document and the installer agrees to conform to these at his own expenses.

## TOOL LISTING

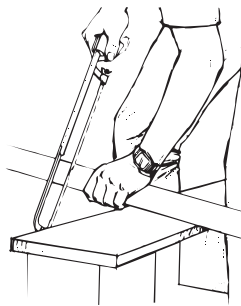
Depending on your installation, you may require the use of these tools. The power tools are recommended to make your installation proceed quickly. Also, plan a mask when cutting ducting (PVC dust) and gloves when using glue.

- |                  |               |                |                   |
|------------------|---------------|----------------|-------------------|
| • Wire Strippers | • 1/4" Drill  | • Level        | • Flashlight      |
| • Utility Knife  | • Putty Knife | • Drill Bit    | • Electrical tape |
| • Knife          | • Hammer      | • Screwdriver  | • Safety Glasses  |
| • 2½" Hole Saw   | • Keyhole Saw | • Wrench       | • Hacksaw         |
| • 1/2" Drill     | • Cold Chisel | • Tape Measure |                   |

## WORKING WITH PLASTIC TUBING

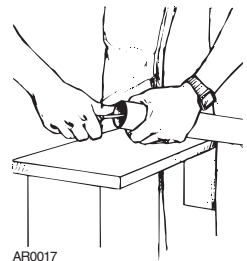
### CUTTING THE TUBING

Before you cut a length of tube, accurately measure the length you need. Allow  $5/8"$  of tubing for inserting into fittings and  $1\frac{1}{2}"$  for placing into flexible tubing. Cut the plastic tubing with a hacksaw, making sure that the cut is exactly square. (You can use a tube cutter if one is available.) Use wire cutters or tin snips to cut flexible tubing. The 8" lengths of flexible tubing supplied with each inlet should not be cut. See figure at right.



AR0016

Use a small knife to remove any burrs from the inside of the tube. You can also use steel wool to remove burrs. The burrs must be removed or they may impede air flow or form clogs by snagging hair and carpet thread. See figure at right.



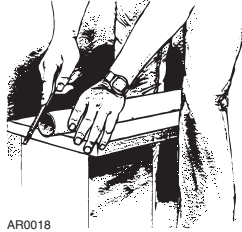
AR0017

# GENERAL INSTALLATION GUIDE (CONT'D)

## WORKING WITH PLASTIC TUBING (CONT'D)

### CUTTING THE TUBING (CONT'D)

Next, use a file to slightly bevel the outside of the tube so that it will easily slide into the fitting. Use steel wool or a light grained sandpaper to buff the surface of the tube which will be glued. This will clean the tube and assure a good seal. See figure at right.



AR0018

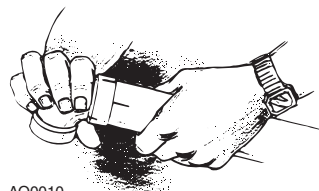
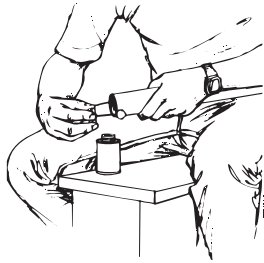
### MAKING A JOINT

Insert the tube into the fitting, aligning the two parts as they will be installed. Mark the tube and the fitting so that you can quickly realign the joint. See figure at right.



AR0019

Apply cement only to the outside of the tube. Dab the cement generously in an inch-wide band. Insert the tube into the fitting with the alignment marks a quarter turn apart, and then quickly push and turn the fitting to align the marks and spread the cement. Allow one minute for the joint to dry. You may also use electrical tape or duct tape to further seal the joint. See figure at right.



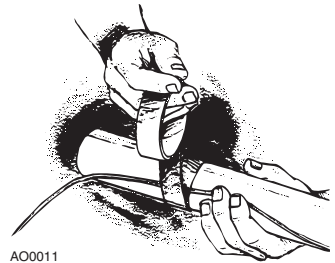
AO0010

### CEMENTING FLEXIBLE TUBING

Make sure the ends of the flexible tubing are even—trim if necessary. When you join flexible tubing to plastic tubing or to an inlet mounting plate, apply cement to both the inside of the flexible tubing and the outside of the plastic tubing or mounting plate tubing ring. Twist the two pieces as you join them to evenly spread the glue. Allow five minutes for the cement to set in flexible tubing. You may also use electrical tape or duct tape to further seal the joint.

### SECURE WIRE TO TUBING

The low-voltage power wiring is run along with the tubing. To insure that the wire is secure and will not hang-up in a wall, use electrical tape to attach the wire to the tubing. Tape the wire approximately every 12-18 inches. See figure at right.



AO0011

# INSTALLATION IN NEW CONSTRUCTION

## WALL INLET ROUGH-IN

Once the locations for the wall inlets have been determined, mount all inlet brackets.

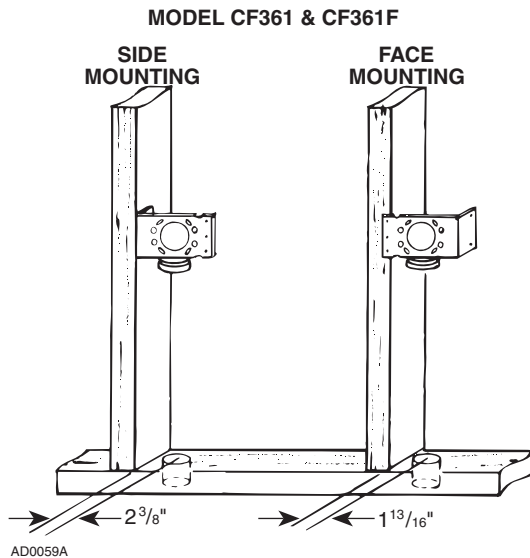
- Choose the appropriate mounting bracket for the inlet being installed. (See chart below.)

		ROUGH-IN SERIES							
		395	396-3	CI3301RK	CI3303RK	CF329	CF361	CF361F	CI399RK
WALL VALVE SERIES	330			X	X	X			
	360	X	X				X	X	
	CI358	Rough-in and wall valve sold together							
	CI399								X

- To locate a bracket on a wall stud, measure approximately 18" up from finished floor level. (Height may vary according to individual preference.)

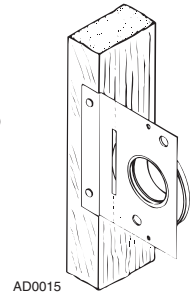
### MODELS CF361 & CF361F (FOR USE WITH 360 INLET)

- Refer to figure below. Nail bracket to the side of the stud so that the front edge of the bracket is flush to the front of the stud. (The bracket may also be nailed to the front edge of the stud. See face mounting illustrated. For face mounting, use locating tabs on bracket for proper alignment.)



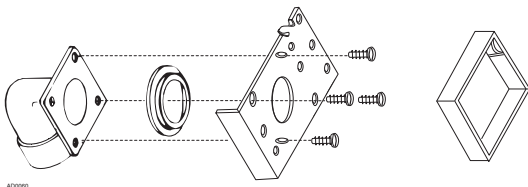
### MODELS CF329 (FOR USE WITH 330 INLETS)

- When using Model CF329, glue elbow to mounting plate. Attach to stud as shown in figure at right.



- Refer to figure below. Remove cardboard from plaster guard frame. Using four (4) provided screws, attach the appropriate flanged fitting and inlet seal to back of inlet.

- Replace cardboard in plaster guard frame



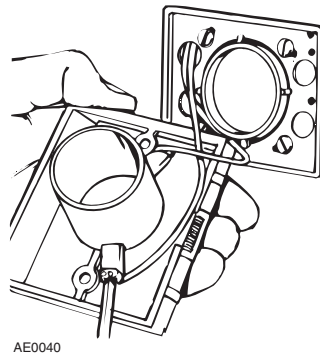
# INSTALLATION IN NEW CONSTRUCTION (CONT'D)

## INSTALLING THE TUBING

Use the following installation guidelines when installing tubing.

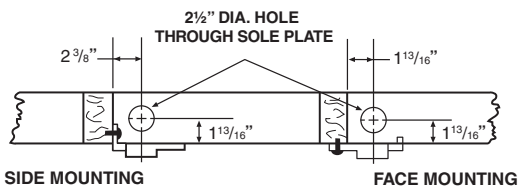
- 1 Start tubing installation at farthest inlet and work toward the power unit.
- 2 Tubing run to the power unit should be as straight as possible.
- 3 When assembling sections with elbows and tees, make sure the curve in the fitting is aligned so that the air flows toward the power unit.
- 4 Branch lines should always join the trunk line from above or from the same level. Never join a branch line from an angle below the trunk line.

- 5 Refer to figure at right. Run low voltage wiring (Model 376UL) and secure wiring to tubing as tubing is installed. Model CF380 Pipe Support can be used to support long runs of tubing (position near joists) and to clip wire along tubing. Secure tubing to joists or studs. Leave approximately 6" of wire for connection to each inlet.

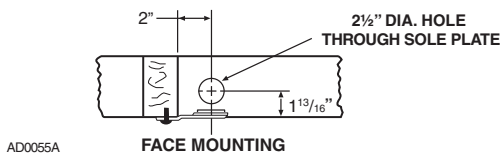


- 6 Cut a 2½" diameter hole in sole plate, header or stud directly in line with opening of inlet bracket fitting. See figure below for center line dimensions.

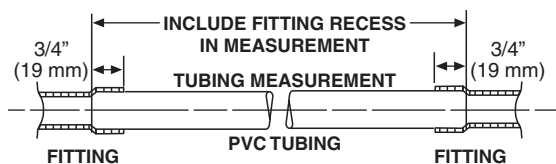
MODEL CF361 MOUNTING



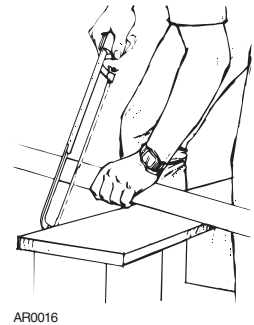
MODEL CF329 MOUNTING



- 7 Refer to figure below. Measure length of tubing needed to connect inlet to trunk line. Allow approximately ¾" of tubing for inserting into fittings.

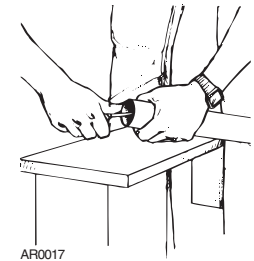


- 8 Refer to figure at right. Cut tubing, keeping cut square.



AR0016

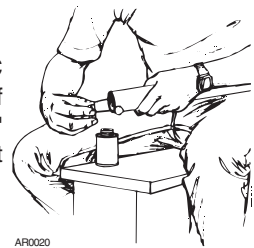
- 9 Refer to figure at right. Remove burrs from both inside and outside of tubing.



AR0017

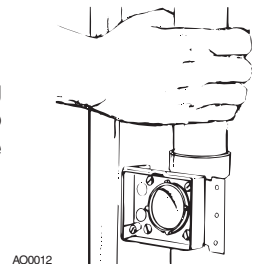
- 10 Before cementing, pre-assemble section to inlet fitting, check for proper length.

- 11 Refer to figure at right Apply PVC cement (Model 379) to outside of tubing. Coat tubing approximately 1" back. Take care to keep cement from inside of tube.



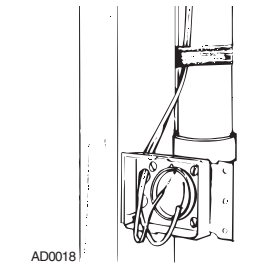
AR0020

- 12 Refer to figure at right. Insert tubing into fitting with a twisting motion to evenly spread cement. Be sure tubing is firmly seated in fitting.



AC0012

- 13 If fittings have been attached to tubing at the end opposite the inlet bracket, be sure alignment is proper before cement sets.



AD0018

- 14 Refer to figure at right. Tape wire to tubing to hold in place and insert through hole in inlet bracket.

- 15 Connect each inlet line and branch line into main trunk line. Complete low voltage wiring as main trunk line is continued back to power unit.

### WARNING

When tubing is run through the wall stud, sole plate, headers or else where building materials will be attached, place a nail plate (Model 378) over that area (on both sides if necessary) to prevent nails from piercing tubing.



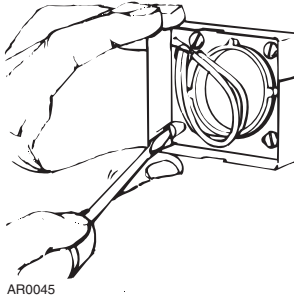
# INSTALLATION IN NEW CONSTRUCTION (CONT'D)

## WALL INLET INSTALLATION

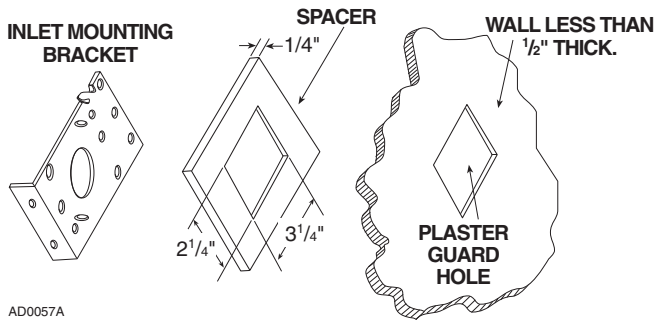
### MODEL 360 WALL INLET (CF361 AND CF361F ROUGH-INS)

1 Remove the cardboard plaster guard.

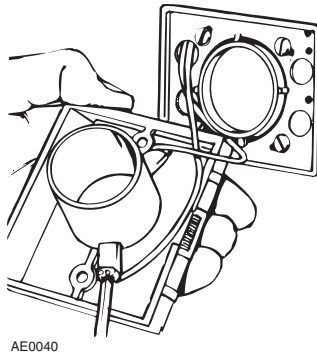
2 Refer to figure at right. For some drywall or panel construction, the plaster frame will extend beyond the finished wall. In this case, remove plaster frame from mounting bracket by removing mounting screws.



**NOTE:** When using the model CF361 and CF361F inlet bracket on walls thinner than 1/2", use a 1/4" spacer (not furnished) between the wall and the inlet bracket. See figure below. Spacer may be made from plywood, Masonite™, etc. Contact cement may be used to hold spacer in place during assembly. Configuration of spacer may vary depending upon installation.

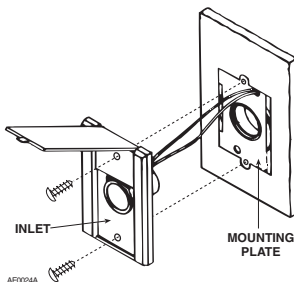


3 Refer to figure at right. Connect 2-conductor low-voltage wire to terminal screws on back of wall inlet.



4 Guide excess wire back through the hole in inlet bracket and flanged fitting.

5 Refer to figure at right. Place inlet into mounting bracket and secure.

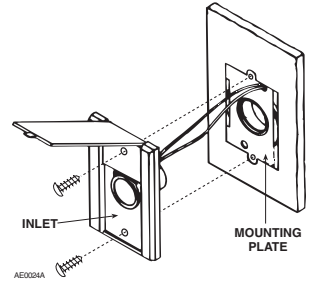


### MODEL 330 WALL INLET (CF329 ROUGH-IN)

1 Refer to figure at right. Connect 2-conductor low-voltage wire to terminal screws on back of wall inlet.

2 Align inlet mounting holes with holes in mounting plate.

3 Refer to figure at right. Place inlet into mounting plate and secure with two provided screws.



# INSTALLATION IN NEW CONSTRUCTION (CONT'D)

## CI399 ELECTRAVALVE™ ELECTRIFIED INLET INSTALLATION (CI399RK ROUGH-IN)

- 1 Fasten the mounting plate onto a stud. Locate the lower hole on the mounting plate marked "Wire Trap" and use a zip tie to secure the wire to the back of the mounting plate at the 10" mark.
- 2 Position the assembled wire plug through the top hole in the mounting plate. Secure the plug to the mounting plate tab as shown. This will keep it secure and out of harm's way during drywalling and finishing.
- 3 Run the wire to the adjacent electrical box. If the wire is to run through a stud, drill a hole directly on the center of the stud and run the wire through. Strip 6 inches of outer sheathing from this end of the wire and place the wire into the electrical box through a strain relief. Ensure the strain relief is tightened against the outer sheathing (do not over tighten). Leave 1/2" of sheathing inside the outlet box. Fold the 6" of black and white wires into the outlet box. Leave the wires to be connected by the electrician when the outlet receptacle is being installed.
- 4 Once drywall and finishing have been completed, pull the plug off the tab and snap into the opening on the back of the new ElectraValve®. Ensure the plug is securely locked into the position as shown. Attach the low voltage wires to the screw contacts.

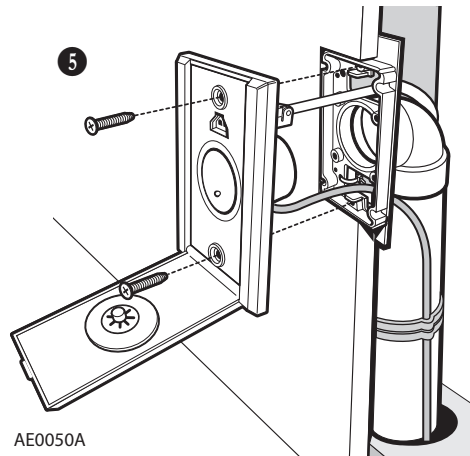
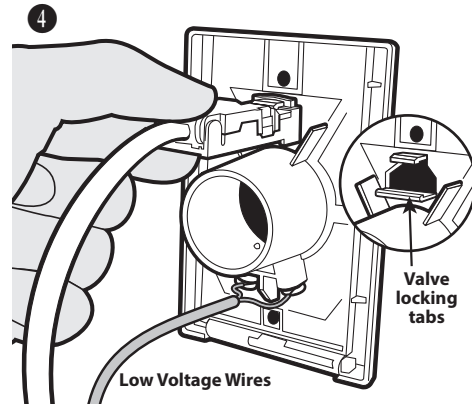
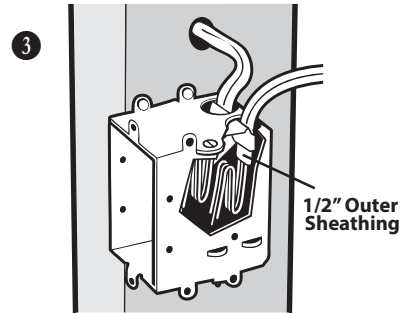
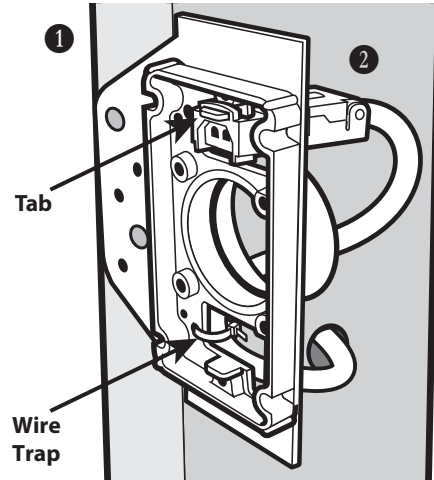
### CAUTION

Power tools such as routers are not recommended for use with the inlet installation, as removal of drywall with these devices may cause damage to the mounting plate and/or inlet plug.

- 5 Insert the valve into the mounting plate and secure the valve to the mounting plate with the screws provided.

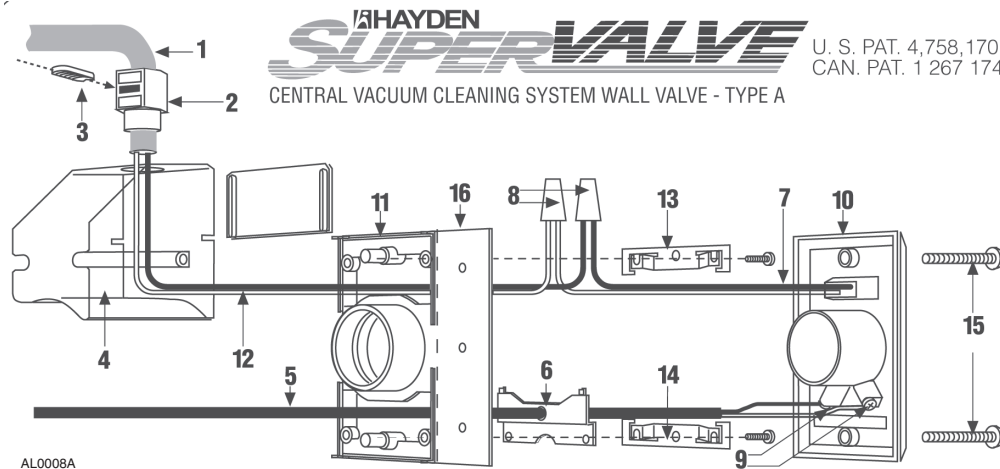
### ⚠ WARNING

All location and installation direct connect electrified wall valves must conform with all local and municipal building codes.



AE0050A

# C1358 SUPERVALVE™ WALL INLET & ROUGH-IN KIT



## SAFETY INSTRUCTIONS

FOR HOUSEHOLD USE ONLY. INSTALL ONLY ON A NOMINAL 120 V, 60 Hz, 7 A SUPPLY PROTECTED BY A MAXIMUM 15 A OVERCURRENT PROTECTIVE DEVICE.

THE PIN CONNECTOR ON THIS TYPE A WALL VALVE IS INTENDED FOR USE ON A NOMINAL 120 V, 60 Hz, 7 A SUPPLY ONLY. IT IS REQUIRED TO BE WIRED BY A QUALIFIED ELECTRICIAN AND IS REQUIRED TO CONFIRM TO LOCAL ELECTRICAL CODES.

### ⚠ WARNING

**Do not operate on wet surfaces!**

#### NEW CONSTRUCTION

❶ Install BUILDING WIRE CONDUCTORS (1) through the approved type electrical CONNECTOR (2) (supplied) until they protrude approximately six inches from connector. Seat connector firmly into the opening atop the WIRING COMPARTMENT (4). Insert and secure LOCKING TAB (3).

❷ Splice wires from INLET VALVE RECEPTACLE (7) to the protruding building wire conductors with no. 31 TWIST-ON WIRE CONNECTORS (8) (not supplied).

**NOTE:** WHITE wire to WHITE wire and BLACK wire to BLACK wire.

❸ Feed LOW VOLTAGE RELAY WIRES (5) through opening in the LVT COVER PLATE (6) and connect to the two contact screws of INLET VALVE FACE PLATE (9).

❹ Push Inlet Valve face plate (10) into MOUNTING PLATE (11). At the same time, push ELECTRICAL CONDUCTORS (12) and connectors (8) into WIRING COMPARTMENT (4). Back out the two screws that hold the wiring compartment in place. Slip upper FINISHED WALL CLIP (13) under the screw heads and tightly fasten both wiring compartment and upper finished wall clip (13) with MOUNTING SCREWS (supplied).

❺ Install the lower FINISHED WALL CLIP (14) with screws (supplied).

❻ Secure Inlet Valve face plate (10) to mounting plate (11) using the two supplied color matched SCREWS (15).



No. LR 61865



No. 27Z2

#### FINISHED CONSTRUCTION

After pipe, low voltage relay control wire, electrical building wires and opening in wall has been cut:

❶ Remove mounting plate NAILING FLANGE (16). Use a hack saw or score with razor knife along dotted line and snap off.

❷ Repeat step ❶ (from NEW CONSTRUCTION).

❸ Install modified mounting plate with short 90° ELL glued in position into wall opening.

❹ Repeat steps ❷ - ❹ (from NEW CONSTRUCTION).

# INSTALLATION IN EXISTING CONSTRUCTION

## LOCATING ACCESS KEYS IN EXISTING CONSTRUCTION

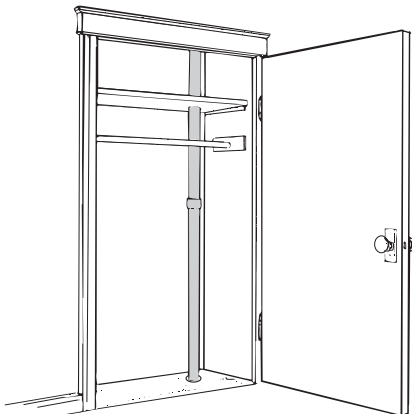
Unless your home is a ranch-style house where a single trunk line can run directly through the attic or basement, you should first investigate your house to find the key to running your tubing from level to level. Look for an accessible area free from obstructions that will accommodate the 2" tubing.

If you understand how your existing home is constructed, it can be relatively easy to find access routes to run the tubing. Refer again to the illustrations on page 4 as you consider your home construction.

Some of the keys you might find in your home are illustrated here.

### STACKED CLOSETS OR LAUNDRY CHUTE

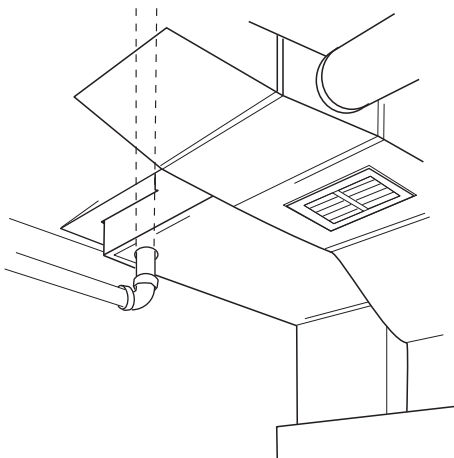
Many homes will have an upstairs closet located directly above a downstairs closet. It is easy to run the tubing from one floor level to another inside these stacked closets. In these installations the tubing is often left exposed inside the closets. See figure below. A laundry chute could also provide access from basement to upper floors. You may also want to consider running exposed tubing through cabinets or cupboards.



AD0019

### COLD-AIR RETURN

A cold-air return often provides a straight run from basement to other levels of the house. See figure below. The ductwork is easily cut for access. Seal around the tube when completing the installation.



AD0061

Use the following procedures for installation in existing construction. Wall inlets in existing construction may be accessed from below (basement or crawl space) or from above (attic). Instructions apply to either method.

Starting from farthest wall inlet location, install each inlet as described below. Working back toward power unit, connect each inlet line and branch line into main trunk line. See page 24. Complete low voltage wiring as main trunk line is continued back to power unit. Mount power unit and complete wiring. See pages 27-29.

## AVOIDING IN-WALL OBSTACLES

The tubing which connects the inlet into the trunk line is threaded through interior partition walls. After you've chosen an inlet location, make sure the wall doesn't contain some hidden obstacle which will prevent you from running tubing to the inlet.

### ELECTRICAL WIRING

The insulation in these walls will prevent you from running tubing through them.

### EXTERIOR WALLS

Wiring may not obstruct your tubing, but you should always make sure that tubing does not damage the wiring. Electrical outlets and wall switches are signs of wiring.

### DUCTWORK

Avoid choosing a section of wall that contains ducting. If you see signs of ductwork—such as floor or ceiling registers—move your inlet location to another section of the wall.

### PLUMBING

Plumbing may or may not prevent you from running tubing through a wall. If you must choose a plumbing wall for an inlet location, be extremely careful when making a cutout in the wall.

### WALL STUDS

Make sure your location is between wall studs. Locate studs by tapping walls, looking for electrical outlet (usually fastened to studs), or noticing finishing nails in the floor molding.

## INSTALLING THE INLET TUBING

When your planning is complete, you will have to determine where all the inlets and the power unit will be located. You have also mapped out the location of your trunk line and found the access you need to run vertical tubing from one level of your house to another level. You should have acquainted yourself with the methods of joining plastic tubing and acquired the tools you'll need to install your NuTone Central Vacuum System. Now, you can begin installation.

The first step to install the inlet tubing which connects the wall inlets to the branch lines. As explained before, the inlet lines run inside interior walls. You will find access to these walls through your attic or basement. Briefly, you want to find the exact location in the wall, drill an access hole through the wall plate or header, and insert the tubing into the wall cavity.

This part of your installation requires close observation and careful measurements. Take your time and make sure you accurately line up your access holes with the locations you've chosen for your wall inlets.

# INSTALLATION IN EXISTING CONSTRUCTION (CONT'D)

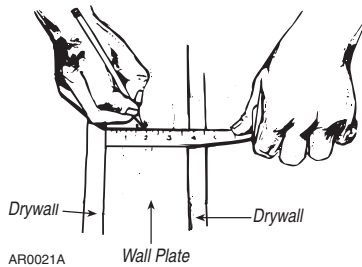
## INSTALLING THE INLET TUBING (CONT'D)

### LOCATING ATTIC ACCESS HOLES

Drill the access holes directly above the inlet location. To accurately locate the access hole, you must find the space between wall studs where the inlet is to be located. Observe the area around the inlet location. Look for references you might be able to find in the attic: electrical wiring, ductwork, doorways, etc. Measure and note the distance from these references to the inlet location.

Enter the attic and find the inlet wall. Have a helper downstairs knock on the top of the wall right above the inlet location; locate the general area by following the sound. Most likely, you will have to clear away insulation. Ask your helper to continue knocking until you locate the area between wall studs directly above the inlet location.

Next, measure the thickness of the wall. Mark the exact center of the wall where you will drill the access hole. Remember that the access hole must be placed exactly in the center of the wall.



### LOCATING BASEMENT ACCESS HOLES

To locate access holes in the basement, remove the toe molding or baseboard at the base of the inlet wall. Carefully loosen the molding or baseboard by inserting the blade of a putty knife behind it. Force another putty knife between the first knife and the baseboard or wall. Gently hammer a cold chisel between the two knife blades, prying the loosened molding away from the baseboard or the baseboard away from the wall.



Directly below the inlet location, drill a 1/16" reference hole through the floor into the basement. (If you're drilling through carpet, use an awl to slightly open the weave. This will keep the carpet from wrapping itself around the drill bit.) Insert a piece of scrap wire or a clothes hanger into the reference hole so you can easily find the hole in the basement.



Once you've found the location in the partition wall, you must center the access hole in the middle of the wall. Measure half the thickness of the wall and mark the center of the wall where you will drill the access hole. If you cannot see the plate, you can determine this measurement from upstairs. At the nearest doorway, measure the thickness of the wall, including the baseboard.

In the basement measure a distance equal to half the thickness of the wall, using the reference hole as a starting point.

### DRILLING THE ACCESS HOLES

Once you are certain that you've located the center of the wall directly above the inlet location, use a 2 1/2" hole saw to cut the access hole through the wall plate or header and into the wall cavity. (A 1/2" drill is recommended.) Remove the drill from the hole carefully.



Now, use a flashlight to inspect the wall cavity through the access hole. Make sure no hidden obstacles will interfere with the tube installation. (If this inspection reveals an obstacle, find a new inlet location.) Repeat this procedure in your attic or basement until your access holes are drilled.



### ASSEMBLING THE INLET TUBING

Once you've drilled the access holes, you assemble the inlet tubing and insert it into the wall cavity. Refer to "Working With Plastic Tubing" on pages 5-6 before you begin to assemble the inlet lines.

Select a section of plastic tubing and an 8" section of the flexible inlet tubing. Apply cement to the outside of the plastic tubing and to the inside of the flexible tubing. Join the two pieces together and allow 5 minutes for them to dry.



# INSTALLATION IN EXISTING CONSTRUCTION (CONT'D)

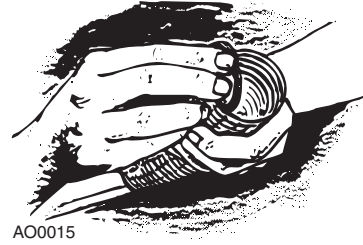
## INSTALLING THE INLET TUBING (CONT'D)

### ASSEMBLING THE INLET TUBING (CONT'D)

Cut a piece of low voltage wire which is long enough for the complete inlet line, allowing 6" for connections to the inlet wall plate. Secure the wire to the tubing with electrical tape.



Tuck the 6" wire lead inside the flexible tubing so that it will not snag inside the wall.



If space permits, you can assemble the entire inlet line by joining two sections of tubing with a stop coupling before dropping the assembly into the access hole. (Remember to only glue the outside of the tubing when joining two pieces of PVC tubing.) Oftentimes, tight attic spaces require you to begin your drop and then join the second section of tubing. Of course, the order of assembly, and the length of tubing required depend on your attic space and your wall height.



Whatever the case, insert the completed inlet line into the access hole and thread it down inside the wall. The inlet line should be long enough so that it extends above the joists in the attic; at this height, it can be easily connected to the branch and truck lines. When cutting the inlet tubing to length, remember that your inlet will be placed at 18" above the floor.



For a basement installation, assemble the tubing to the inlet flexible tubing in the same way and insert it into the access hole. A basement inlet line is necessarily shorter because it must only reach 18" from the floor to the inlet. Most of the time, basement inlet lines are more easily installed by two people after the inlet hole has been cut in the interior wall. See "Wall Inlet Installation."



Complete all your inlet lines, and then proceed to your inlet installations.

## WALL INLET INSTALLATION

The wall inlet design allows you to work outside the wall—where assembly is easy and all the parts you need are accessible. First, you make a cutout into the wall and locate the flexible tubing attached to the inlet line which you previously threaded into the wall. Then, you attach the flexible tubing to the inlet mounting plate, assemble the other inlet parts, and make the wiring connections. You place the inlet assembly into the wall cutout, sandwiching the wall between the inner and outer parts, and secure the inlet tightly to the wall with two screws.

Assemble and install the wall inlet as shown in the illustrations and as explained in the next few pages. Be careful and patient as you make your first cutout and install your first inlet by following the procedure step by step—the other inlets will be easy to install in very little time.

### MAKING THE WALL INLET CUTOUT

The wall inlet should be located 18" on-center from the floor and directly in line with the attic or basement inlet tubing hole you have already drilled in the wall plate or header. The wall inlet cutout must be exactly 3 7/8" high by 2 7/8" wide. It is crucial that you make an accurate cutout, and we have supplied a template to help you.



# INSTALLATION IN EXISTING CONSTRUCTION (CONT'D)

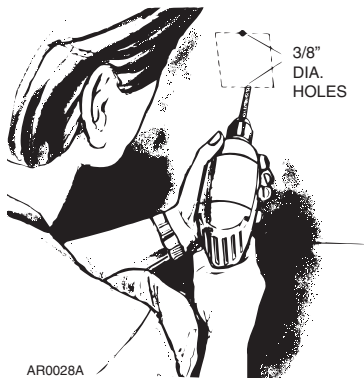
## WALL INLET INSTALLATION (CONT'D)

### MAKING THE WALL INLET CUTOUT (CONT'D)

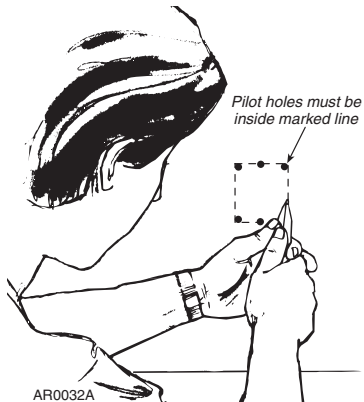
Place the template against the wall so that it is 18" on-center from the floor. Use a level along the top edge of the template to make sure it is square to the wall. Mark your wall for the cutout by tracing around the inside of the template. Then use your pencil to mark the screw hole locations through punched holes at the top and bottom of the template. Remove the template from the wall.



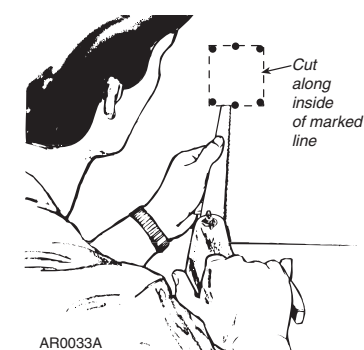
Use an awl or icepick to punch pilot holes where you marked the two hole locations. Now, drill two 3/8" diameter holes, using the pilot holes as the centers. Locate and drill these holes exactly as marked with the template.



Also drill four pilot holes in the four corners of the marked area. Make sure these holes are located inside the marked line. Then, using a utility knife, score along the inside of the marked line. For plaster walls, score the plaster deeply, being careful to stay inside the marked line.



Next, use a keyhole saw or a sabersaw to make the cutout. Again, be extremely careful to cut along the inside of the marked line.



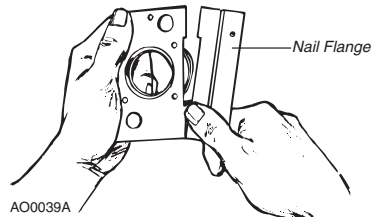
**CAUTION**  
When cutting into plaster walls, make sure the plaster is firm and secure around the cutout area.

### ATTACHING THE INLET MOUNTING PLATE

Reach through the inlet hole and locate the inlet tubing. Raise it up inside the wall until you locate the inlet tubing. If the inlet is connected from the basement, have a helper insert the inlet tubing into the access hole until you can see the flexible tubing. Then, pull the flexible tubing through the inlet hole and remove the low voltage wiring from inside the tube. If the end of the flexible tubing is not even, trim it so that it is exactly even.



Now, remove the nail flange (used for new construction) from the inlet mounting plate. Use pliers to bend this flange along the scored lines until you can break it off.



Apply cement to both the inside of the flexible tubing and to the outside of the mounting plate's tube ring. Insert the mounting plate's tube ring in the flexible tubing and twisting the pieces as you join them to spread the cement, and align the mounting plate in a vertical position.



Hold the assembly in place for a few minutes as the cement sets; allow 5 minutes for the cement to completely dry.

Now, strip the ends of the two low voltage wires, and then connect the wires to the screw terminals on the back of the inlet cover. Make sure the wires are tightly secured under the terminal screws.

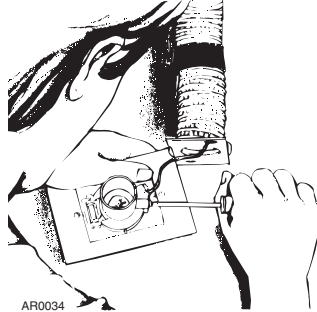


# INSTALLATION IN EXISTING CONSTRUCTION (CONT'D)

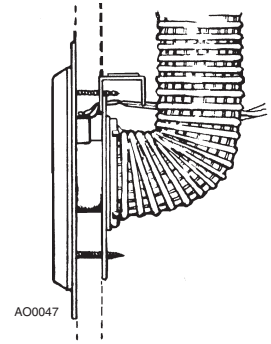
## WALL INLET INSTALLATION (CONT'D)

### ATTACHING THE INLET MOUNTING PLATE (CONT'D)

When the wiring is complete, assemble the inlet cover to the tube guard and mounting plate. Insert the top screw through the entire inlet assembly until the screw engages the mounting plate.

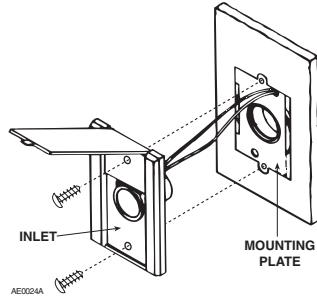


Insert the bottom screw into the inlet cover and through the other parts. Give the screw a few turns until it firmly engages in the mounting plate. Now, level and slightly lower the assembly. Make sure the wall is sandwiched between the inner and outer parts—you'll be able to feel if mounting plate is firmly centered on the inside of the wall.

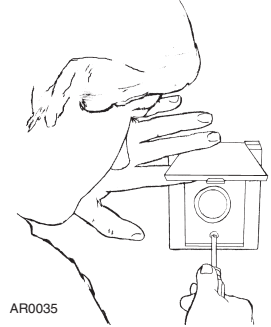


### COMPLETING INLET ASSEMBLY

Once you have attached the mounting plate to the flexible tubing, pull the low voltage wire through the top wiring hole in the mounting plate.



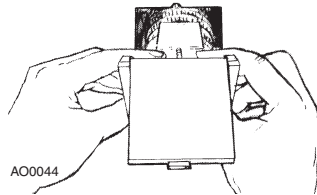
Hold the inlet in place and gradually tighten down each screw a little bit at a time. (If you completely tighten down one screw at a time, the mounting plate may pull away from the wall at the loose end and slip back into the cutout.)



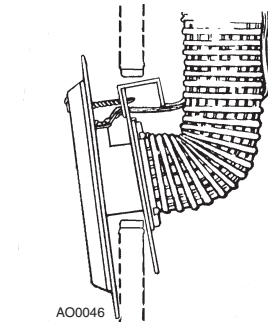
Complete all your wall inlet installations in this manner. If your cutouts are accurate, each wall inlet will install more quickly and easily.

### INSTALLING THE INLET

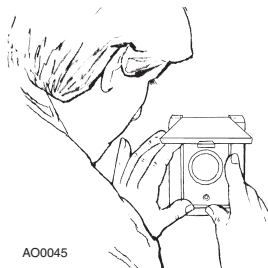
When you place the inlet into the wall cutout, the mounting plate and tube guard slip inside the wall; the inlet cover remains on the outside.



Holding the inlet assembly between your thumbs and fingers, angle the bottom of the mounting plate into the cutout. Push the assembly downward until you have clearance at the top of the cutout.



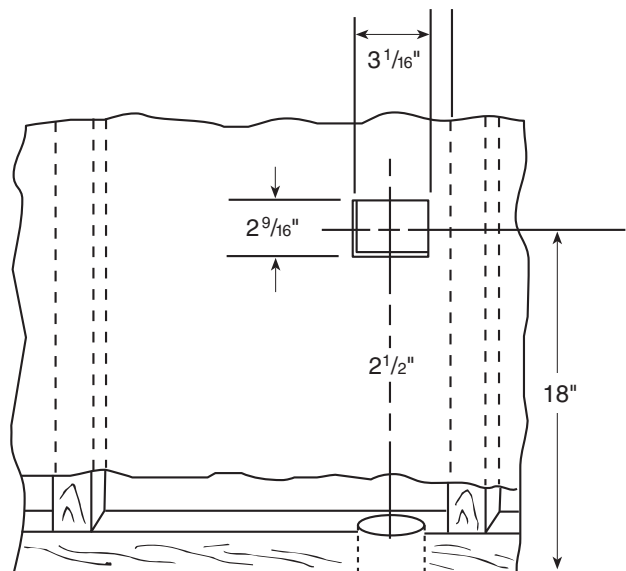
Push the top of the mounting plate into the cutout and lift the assembly upward until the top screw seats in the predrilled hole. At this point, the wall should be sandwiched between the mounting plate and the frame plate.



## 360 SERIES INLETS (CF361 OR CF361F ROUGH-IN)

**NOTE:** If 330 wall inlet is being used refer to Model 330 Series Wall Inlet on next page.

- 1 If area is clear, cut an inlet opening in the wall approximately 18" above the floor. Make sure wall opening and 2½" tube hole line up (see figure below).



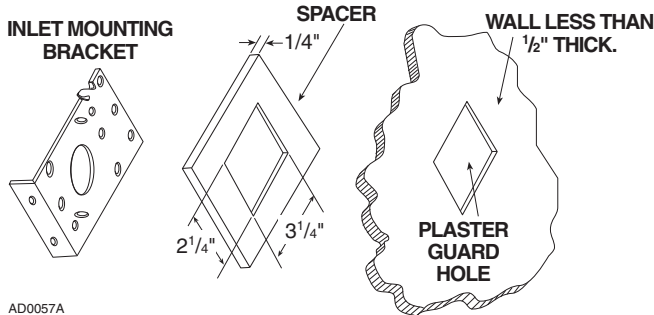
AD0062



# INSTALLATION IN EXISTING CONSTRUCTION (CONT'D)

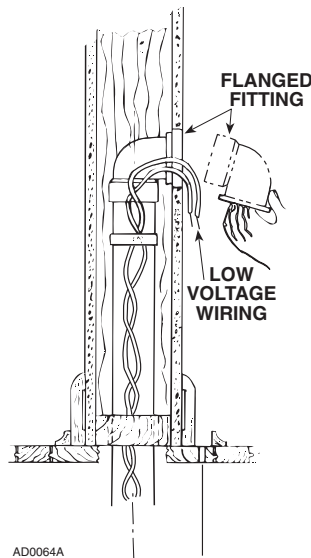
## 360 SERIES INLETS (CF361 OR CF361F ROUGH-IN) (CONT'D)

**NOTE:** If the wall for mounting the Model 360 inlet is less than 1/2", a spacer must be used. See figure below as a guide.



AD0057A

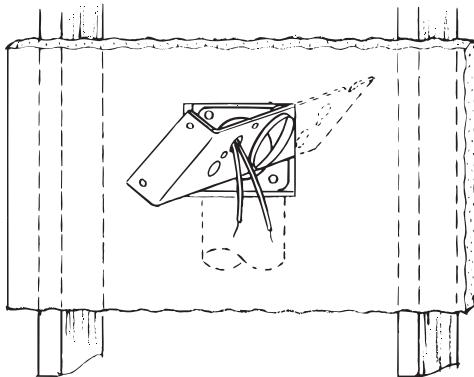
- 2 Cut a length of tubing that will extend from inlet opening to a point below floor level (or above ceiling level in attic installation). Tape low voltage wire to tube and insert tube through predrilled hole to a level opposite the wall opening.



AD0064A

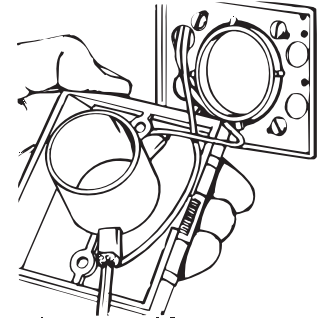
- 3 Apply cement to tube and install flanged wall fitting. Make sure fitting is well seated and sealed (see figure at right).

- 4 Remove plaster frame from mounting bracket. Pull low voltage wire through hole in bracket and insert bracket into cutout. Secure bracket to flanged fitting with 4 screws provided. Be sure seal is secure between flange fitting and mounting bracket (see figure below).



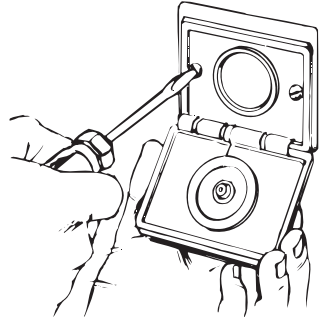
AD0063

- 5 Attach the low voltage wires to terminal screws on back of wall inlet (see figure at right). If using 361 Rough-in with CI370 Series Inlets, refer to instructions on page 7, step 3, shown in its figure.



AO0071

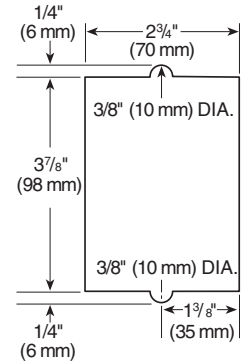
- 6 Insert wall inlet into bracket and secure with the two screws provided (see figure at right).



AR0047

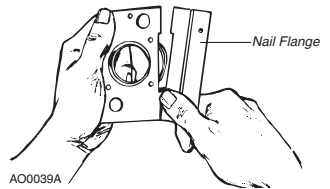
## MODEL 330 SERIES WALL INLET INSTALLATION (CF329 ROUGH-IN)

- 1 Make cutout according to dimensions in figure at right.



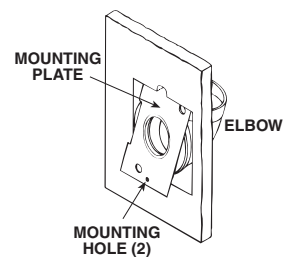
AD0020A

- 2 Refer to figure at right. Break off nail plate at scored line.



AO0039A

- 3 Refer to figure at right. Glue elbow to mounting plate, place assembly into cutout, and attach elbow to tubing inside the wall.



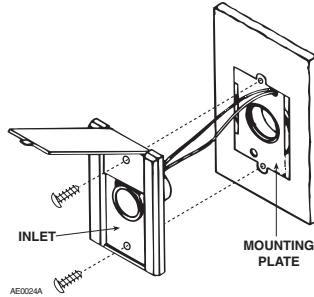
AD0021A

# INSTALLATION IN EXISTING CONSTRUCTION (CONT'D)

## MODEL 330 SERIES WALL INLET INSTALLATION (CF329 ROUGH-IN) (CONT'D)

- Make sure mounting holes are exactly at top and bottom.
- Connect 2-conductor low voltage wire to terminal screws on back of wall inlet.

- Refer to figure at right. Align inlet mounting holes with mounting plate holes, place inlet into mounting plate, and secure with provided screws.

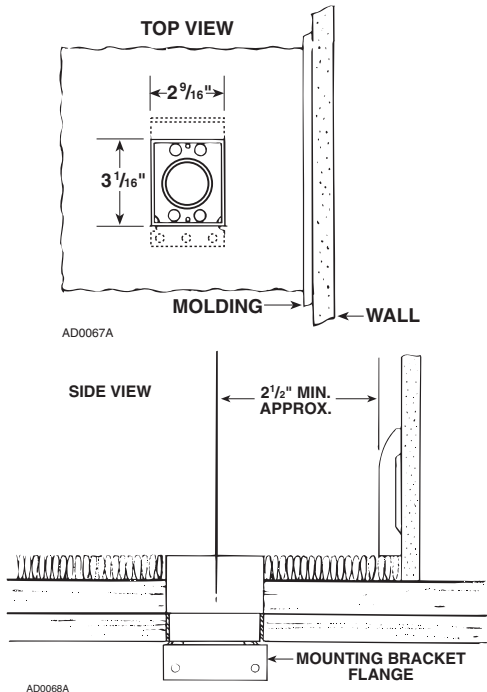


**NOTE:** If CF382S shorter radius elbow is used, it may be necessary to use the short mounting screw to avoid interference with elbow.

## FLOOR INLET INSTALLATION IN NEW & EXISTING CONSTRUCTION

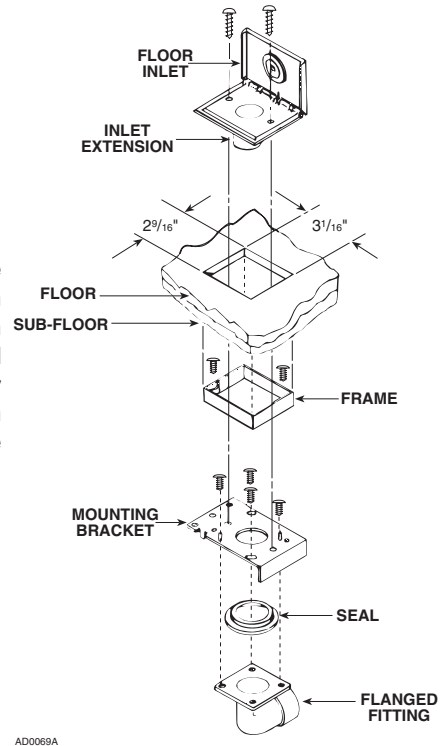
### MODEL 360 SERIES INLETS (361 ROUGH-IN)

- Refer to both figures below. After floor inlet location has been selected, cut a  $3 \frac{1}{16}'' \times 2 \frac{9}{16}''$  square hole in floor. Center line of inlet must be located at least  $2 \frac{1}{2}''$  from wall to allow cover to be opened when hose is inserted.

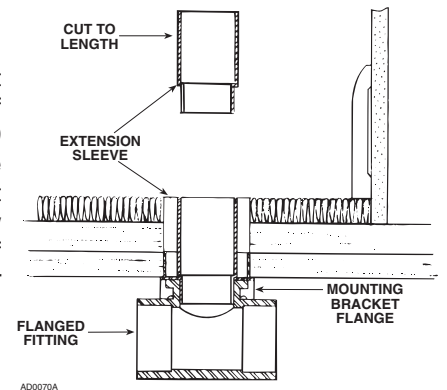


- Determine direction of tubing and attach appropriate flanged fitting to mounting bracket with four (4) screws supplied. Be sure mounting bracket flange does not interfere with tubing and seal is securely in place.

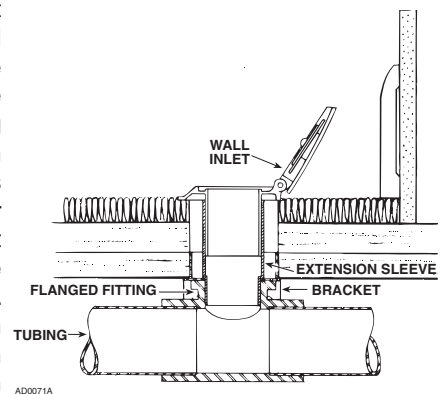
- Refer to figure at right. Position bracket with frame and flanged fitting assembly into cutout from below and secure to sub-floor.



- Refer to figure at right. Large end of Model 399 extension sleeve should be cut to length to allow proper seating of inlet against floor or carpet.

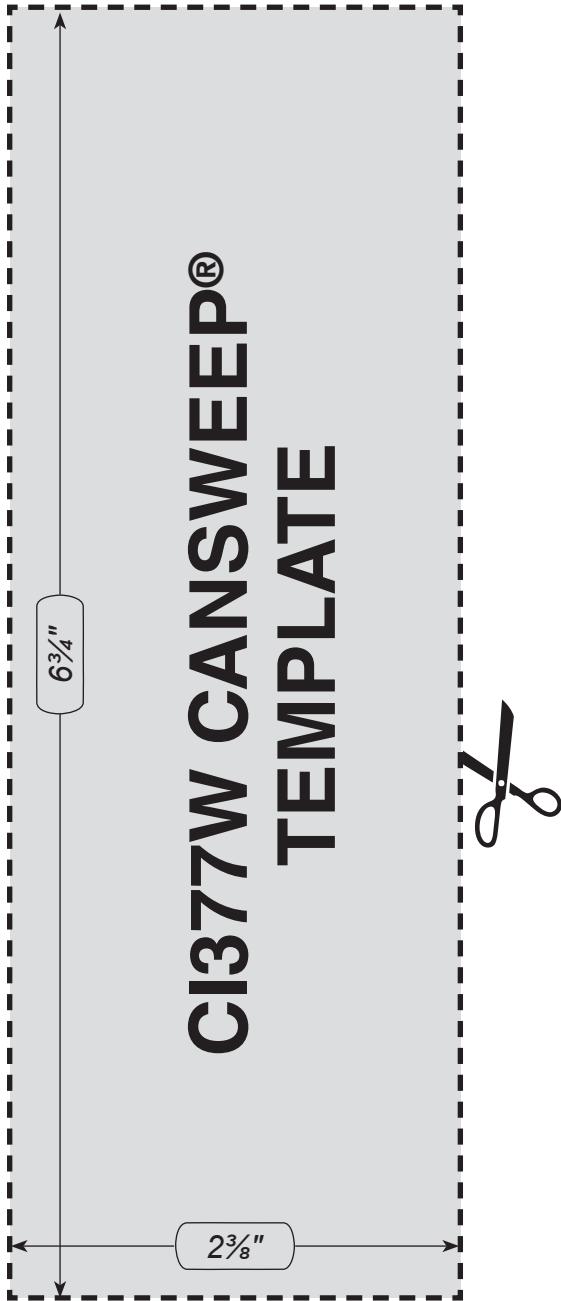


- Refer to figure at right. Pull low-voltage 2-conductor wire through mounting bracket and attach to terminal screws on back of floor inlet. Cement extension sleeve to Model 360 inlet. Insert extension sleeve through vinyl gasket in mounting bracket and firmly seat into flanged fitting.

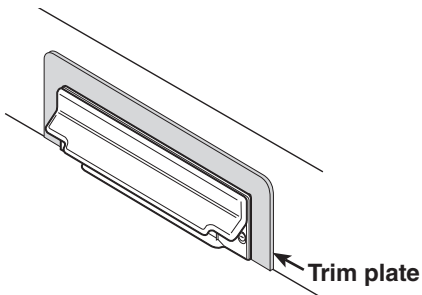


- For convenience of operation, floor inlet should be installed to open back toward wall.
- Refer to figure of step 3. Secure floor inlet in place with two screws.

# CI377W CANSWEEP® UNDER CABINET INSTALLATION

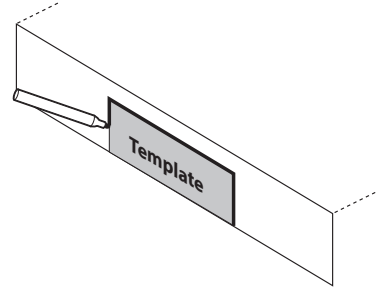


If by any chance the opening was cut too big, a trim plate (part number CI376W) is available to provide a perfect cover.



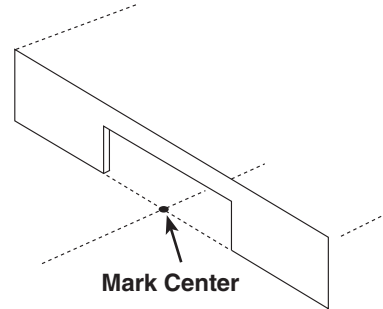
**1**

Align the template (cut from this instruction sheet) onto the kick plate to the desired location, and trace the outline of the area.



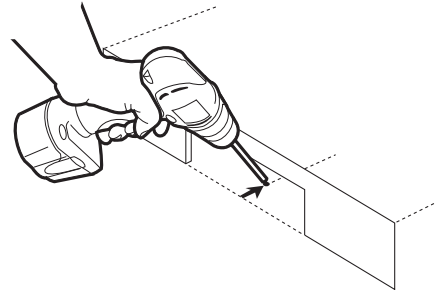
**2**

Cut out the desired opening and discretely mark the center of the opening on the floor.



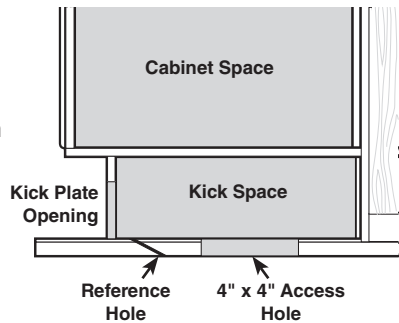
**3**

Drill a small reference hole along the center line behind the kick plate through the subfloor.



**4**

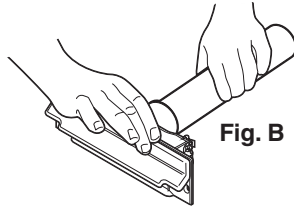
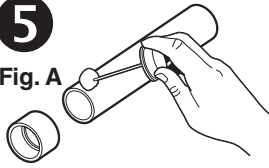
Locate the reference hole from beneath the subfloor. Cut a 4" x 4" access hole on your chosen position along the center line under the kick space.



# CI377W CANSWEEP® UNDER CABINET INSTALLATION (CONT'D)

**5**

**Fig. A**



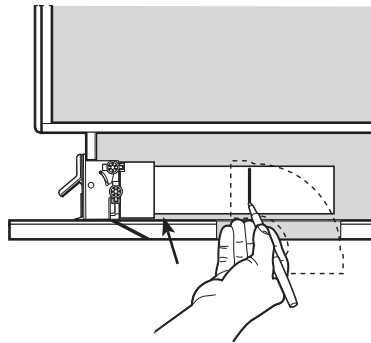
**Fig. B**

Solvent weld a coupling to a piece of 2" central vacuum pipe, long enough to reach the 4" x 4" access hole from the opening on the kick plate (**Fig. A**).

Friction fit the other end of the coupling to the CanSweep® until secure. Do not glue, friction fit only (**Fig. B**).

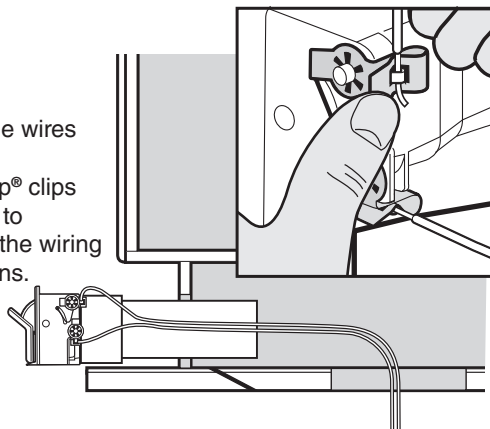
**6**

Insert the CanSweep®/pipe into the opening on the kick plate. Use a 90° sweep elbow fitting to determine a cut mark on the other end of the pipe. Then cut the pipe at the mark.



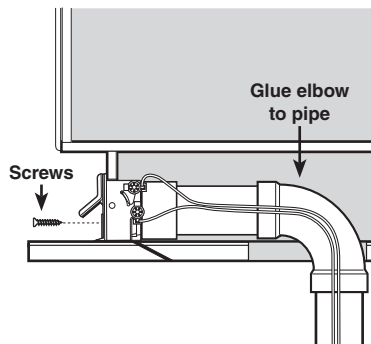
**7**

Slide the low voltage wires into the CanSweep® clips as shown to complete the wiring connections.



**8**

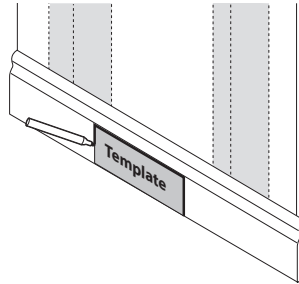
Slide the CanSweep®/pipe and low voltage wires into the opening on the kick plate. Glue both ends of the elbow to the piping system, and then secure the CanSweep® to the kick plate with the 2 supplied screws.



# CI377W CANSWEEP® BASEBOARD WALL INSTALLATION

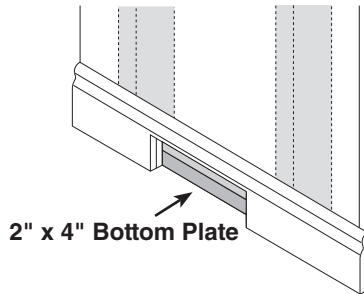
**1**

Choose a desired position on the baseboard **between two studs**. Place the template (cut from this instruction sheet) on the position, and trace the outline of the area.



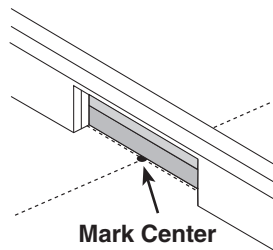
**2**

Trim the opening on the baseboard and through the drywall until reaching the 2" x 4" bottom wall plate.



**3**

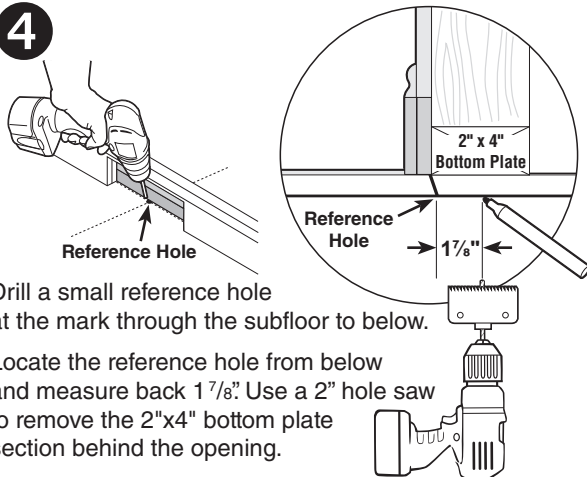
Against the edge of the 2" x 4" bottom plate, mark the center of the opening.



**4**

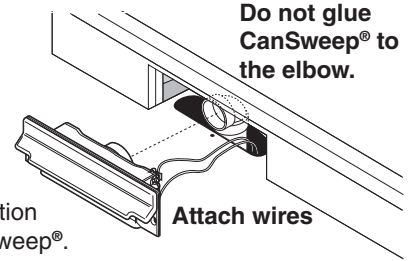
Drill a small reference hole at the mark through the subfloor to below.

Locate the reference hole from below and measure back 1 7/8". Use a 2" hole saw to remove the 2"x4" bottom plate section behind the opening.

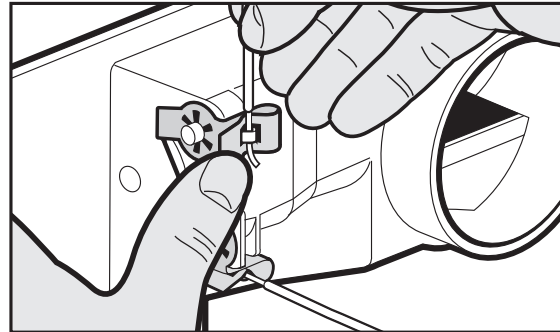


**5**

Make piping connections as required and ready the short 90° elbow in position **Attach wires** behind the CanSweep®.



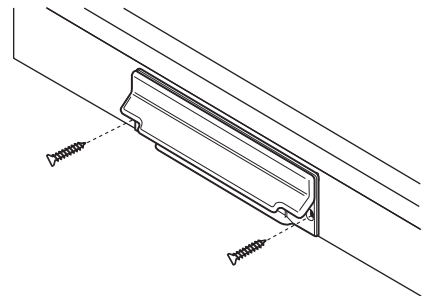
Make sure that the opening of the elbow will securely attach onto the spigot on the back of the CanSweep® when it is time for connection.



Slide the low volt wires into the CanSweep® clips as shown to complete the wiring connections.

**6**

Slide the CanSweep® and low voltage wires into the opening on the baseboard. Friction fit the CanSweep® spigot into the elbow. Secure the CanSweep® to the baseboard with the 2 supplied screws.



# ASSEMBLING THE TUBING SYSTEM

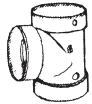
Once you have installed all your inlets, you can complete the network of tubing that connects your inlets to the power unit. This network consists of the following parts:



**90° Elbows** – Used for connecting the inlet lines to the branch lines. Also used for making smooth 90° turns in branch lines or trunk lines.



**45° Elbows** – Used for a 45° tubing turn in branch or trunk lines.



**90° Tees** – Used to connect branch lines to the trunk lines.



**Stop Couplings** – Used to join two lengths of tubing.



**Flexible Tubing** – Used to bypass obstacles or to make difficult S-turns in branch lines. This tubing is not the same as the inlet flex tube.



**PVC Tubing** – 8' straight sections of tubing used for inlet, branch and trunk lines.

AA0012

Use the tubing and fittings to run branch lines from the inlet tubing to a main trunk line. Begin at the farthest inlet from the power unit and work your way toward the power unit. When you assemble sections with elbows and tees, make sure the curve in the fitting is aligned so that the air flows toward the power unit.

Assemble the entire network of tubing and fittings, making sure every joint is accurately cut and aligned. Then, go back and cement all the joints. You may run the wiring and make the wiring connections after the network is assembled and cemented, or you may make the wiring connections as you assemble the network. Use the method that best suits your needs.

## BEGINNING THE TRUNK LINE

Start the inlet line which is farthest from the power unit. Place 90° elbow onto a section of tubing and align it with the inlet tubing at the height it will run across the attic joists. Mark the inlet tubing where the elbow will join, allowing 5/8" for the tubing that inserts into the fitting collar.



AO0049

Now, cut the inlet tubing at the marked line. Make sure the cut is straight and even. Attach the elbow and check its fit. Then, insert the first section of tubing into the other end of the elbow.



AO0050



AO0051



AO0052

## JOINING STRAIGHT LENGTHS OF TUBING

Both branch lines and the trunk lines may require lengths of tubing longer than those 8' sections supplied. Use stop couplings to join two straight lengths of tubing. Insert one end of the tubing into the stop coupling; join the second length of tubing into the other end of the stop coupling. Stop couplings are also used to join long vertical branches which run from one level to another level of a house.



AO0053



AO0054

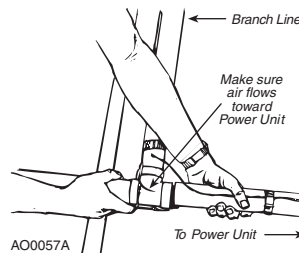
# ASSEMBLING THE TUBING SYSTEM (CONT'D)

## CONNECTING A BRANCH LINE

A branch line connects the inlet line to the trunk line. Follow the methods previously described for aligning, marking and cutting the inlet tubing. Attach a 90° elbow and run tubing from the inlet line to the trunk line.



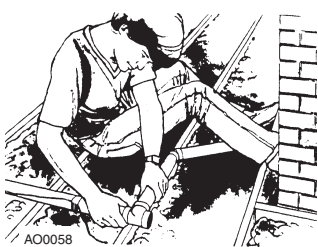
To align and measure the branch line, attach a 90° tee fitting to the trunk line. Make sure the tee connects with the air flow going toward the power unit. Align, measure, and mark the branch line for inserting it into the tee fitting. Then, cut the branch line to length and insert it into the tee. Check to make sure the cut is straight and even. Connect the next section of tubing to the out-take side of the tee fitting. Continue the trunk line until you come to another branch line junction point.



## CIRCUMVENTING AN OBSTACLE

Wherever possible the branch lines should connect to the trunk line in straight paths. The fewer turns in a tubing system, the more efficient air flow. Accordingly, you should locate the inlets to avoid zig-zags in the branch lines. But, sometimes, when you just can't avoid an obstacle, you are required to construct the tubing around it.

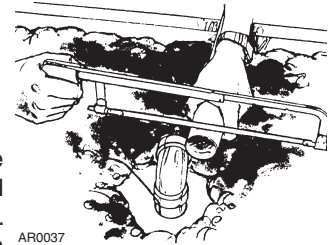
In the example illustrated here, you might run the branch line at an angle to avoid a chimney. Then, once the branch line has run past the chimney, you can use a 45° elbow to turn the branch line back perpendicular to the trunk line. Again, the branch line and the trunk line connect with a 90° tee.



You can also use a piece of flexible tubing to run a branch line around an obstacle. See "Using Flexible Tubing," on next page.

## COMPLETING THE TRUNK LINE

Continue to run the trunk line toward the power unit, connecting all branch lines as you go along. Again, make sure you connect all fittings with the air flow toward the power unit.



Bring the trunk line to the access hole you have drilled for the power unit's intake tube. Place a 90° elbow over the hole and cut the trunk line to fit into this final elbow. Allow 5/8" of tubing to fit into the elbow's collar. Connect the elbow to the trunk line so that it aligns over the intake access hole. You will make the intake tube connection itself after you have installed the power unit.



When you are satisfied that all fittings and tubing are aligned for maximum air flow, make sure that all your cuts are square and that all joints are tight. Then, prepare the tubing and cement the joints as described in "Working With Plastic Tubing," page 5.

## CONNECTING THE LOW-VOLTAGE WIRING

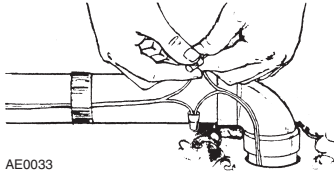
Ideally, you will run the wiring and make all the wiring connections after you have completed the tubing system. Of course, the inlet wiring must be run at the time the inlet tubing is threaded through the walls.

Run the low voltage wiring along the trunk line; at approximately 12"-18" intervals, use electrical tape to secure the wire to the tubing. Then, run wiring along the branch lines from the inlet lines to the trunk line. Also secure this wiring with electrical tape.

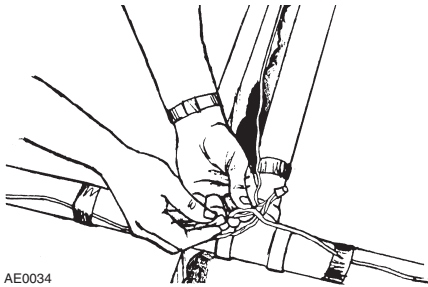
# ASSEMBLING THE TUBING SYSTEM (CONT'D)

## CONNECTING THE LOW-VOLTAGE WIRING (CONT'D)

At the joint of the inlet line and the branch line, make a two-wire connection. Use wire nuts to make the connections and insulate each connection with electrical tape.



At the junction of every branch line and the trunk line, cut the trunk line wire and connect it to the branch line wire. Connect this wiring in groups of threes—one branch wire, one in-coming trunk line wire, and one out-going trunk line wire. Insulate all wire connections with electrical tape.



Complete all wiring connections up to the power unit's intake access hole. You will make this connection when you mount and connect the power unit. If, for some reason, you want to connect the wire as you go along, make the same two-wire and three-wire connections where required.

## ASSEMBLING A BASEMENT TRUNK LINE

Basically, the tubing network is assembled the same way for a basement installation. Begin the trunk line at the farthest inlet line from the power unit. Measure and cut the inlet tubing to the length required to align the trunk line with the joists or ceiling. Cement the inlet tubing and connect at 90° elbow. Then, run the trunk line until you reach a branch line junction point.



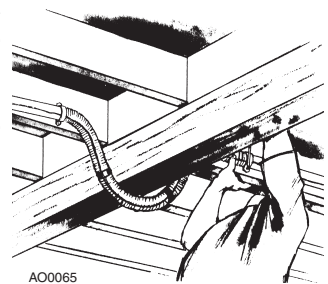
Attach the tubing to the joists or ceiling with either perforated metal or support strapping (support strapping is available from NuTone).



Make all branch line connections in the same way you would an attic installation. Make sure that all branch lines enter the trunk line at an angle that is at least levelled with the trunk line. Make sure all the fittings are oriented so the air flows toward the power unit. Complete the trunk line to the power unit location.

## USING FLEXIBLE TUBING (MODEL CF367)

Flexible tubing may be used to circumvent an obstacle or to make a difficult turn. In the example illustrated here, the flexible tubing is used in order to run a branch line under a support beam. Attach this tubing to the PVC tubing, cementing only the outside of the PVC tubing as you would for a hard-fitting connection. Whenever you use the flexible tubing, you must secure both ends of it with support strapping.





# POWER UNIT INSTALLATION

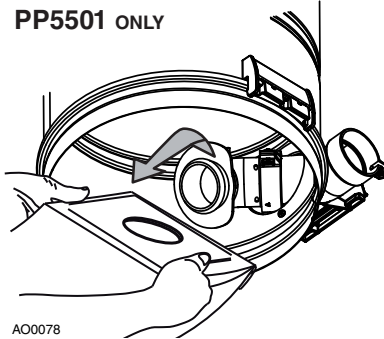
## CHANGING INTAKE LINE DIRECTION

The intake line connects to the right side of the unit. However, it is possible to change this configuration; to connect the intake line to the left side of the unit, follow these steps:

- 1 Remove debris pail from power unit by releasing both latches on sides of the unit, pulling them out and then pushing up. Detach the pail from unit.

PP5501 ONLY

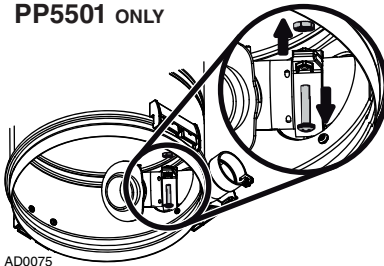
**PP5501 only:** Grasp the edges of the bag collar and pull down; the bag will slide off easily. **Do not pull on the bag.** Set the bag aside.



AD00078

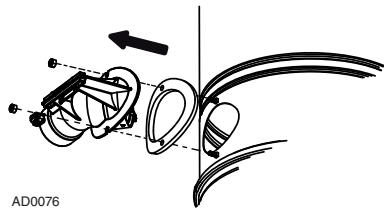
- 2 **PP5501 only:** Using a Phillips screwdriver no. 2, remove the screw tightening the bag adapter and intake elbow junction. Disassemble the bag adapter from the intake elbow and set aside with its screw and nut.

PP5501 ONLY



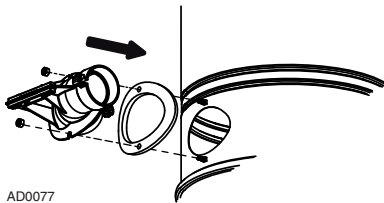
AD00075

- 3 **All units:** Disassemble the intake elbow from the back of the unit using a 3/8" socket to remove its both retaining nuts and screws.



AD00076

- 4 **All units:** Flip the intake elbow 180°, then reassemble it to the unit, taking care to keep its gasket at its original position.

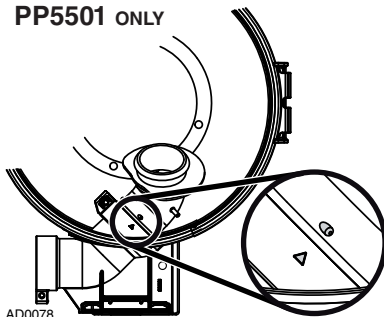


AD00077

**NOTE:** Ensure the gasket is not folded in order to prevent lack of suction and noise.

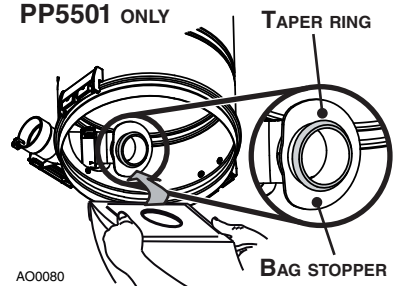
- 5 **PP5501 only:** put the bag adaptor back in place to the intake elbow. Align triangle with small inclined stud, then tighten the junction using the screw and nut previously removed in 2.

PP5501 ONLY



AD00078

- 6 **PP5501 only:** Put the bag back in place by grasping the edges of its collar and insert over bag adapter. Be careful not to tear the bag. Ensure the collar is positioned between the taper ring and the bag stopper on the bag adapter.



AD00080

- 7 **All units:** Put the debris pail back in its place.

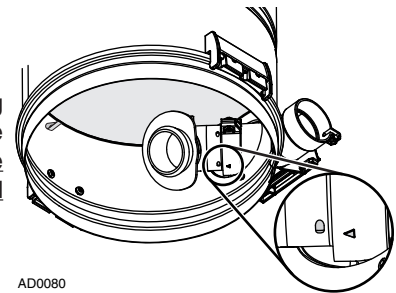
## CONVERTING POWER UNIT FROM CYCLONIC OPERATION TO A BAGGED SYSTEM (DEBRIS BAG INCLUDED)

Both PP6501 and PP7001 units are factory shipped ready for use in cyclonic mode, but due to their hybrid design, they can also be operated with a disposable bag (391). The bag adapter (included with the unit) must be installed if the disposable bag will be used. Follow these steps:

**NOTE:** Do not remove the cyclonic filter.

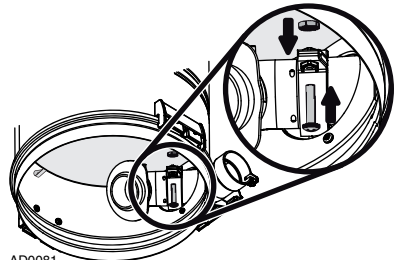
- 1 Remove the pail from unit by releasing its both side latches, pulling them out and then pushing them up. Detach the pail from unit.

- 2 Assemble the bag adapter to the intake elbow. Align triangle with small inclined stud.



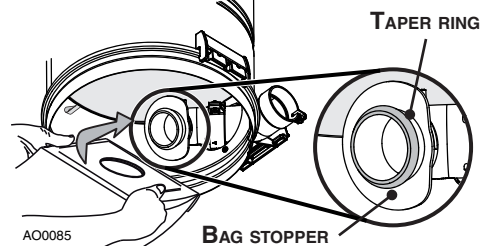
AD00080

- 3 Tighten the junction using the screw and nut (included in parts bag).



AD00081

- 4 Unfold the disposable bag and grasp its collar where indicated. Insert over bag adapter. Be careful not to tear the bag. Ensure the collar is positioned between the taper ring and the bag stopper on the bag adapter (see illustration below). Put the pail back in its place.



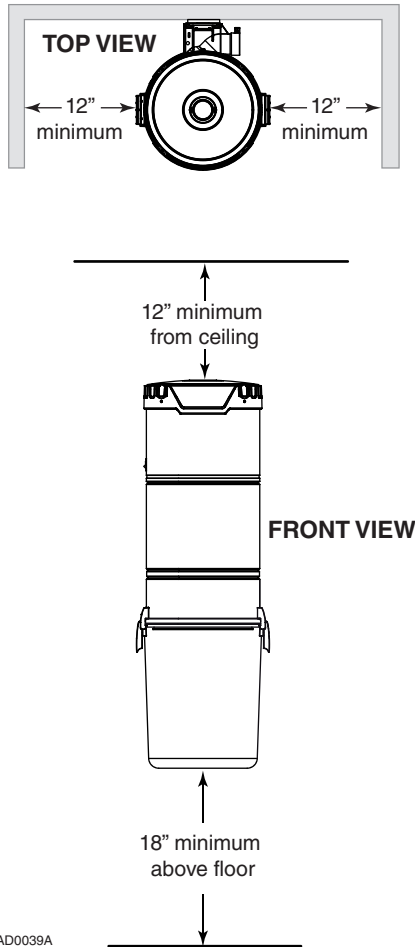
AD00085

# POWER UNIT INSTALLATION (CONT'D)

## MOUNTING THE POWER UNIT

- Carefully remove debris pail from power unit. Make sure bag is properly installed in power unit (if need be). Remove the installation kit and securely reinstall debris pail.
- Refer to illustration below to maintain minimum walls and floor clearance dimensions.

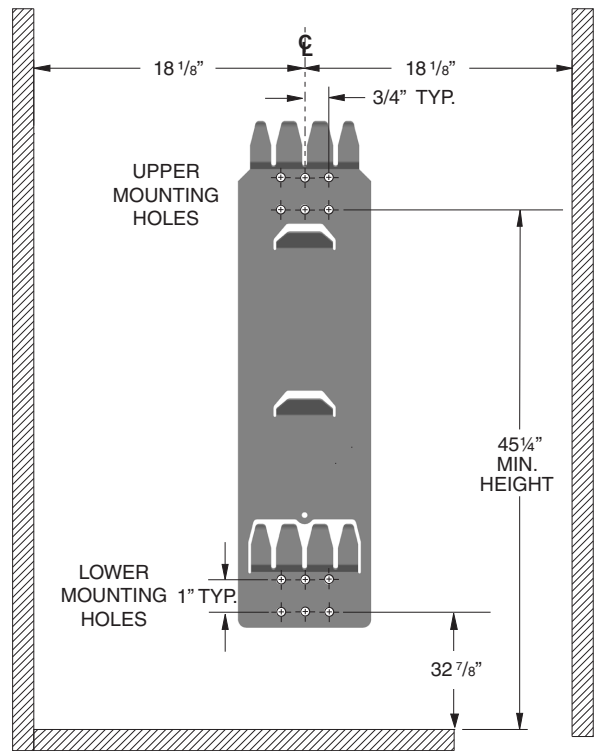
### MINIMUM CLEARANCE DIMENSIONS



- Position and install the wall mounting bracket with the provided screws. Refer to illustration at right for proper mounting dimensions.

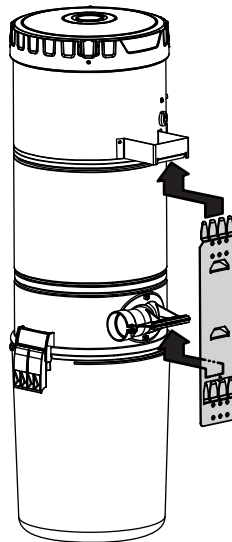
### CAUTION

Ensure to screw the wall mounting bracket directly to a wall stud for a solid installation.

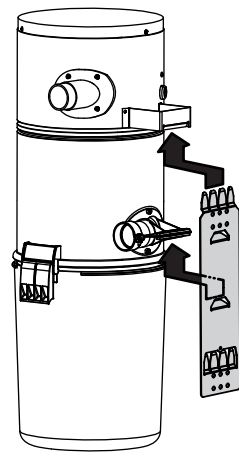


- Use the provided mounting screws to secure the mounting bracket on the wall through upper and lower mounting holes.
- Hang power unit onto wall mounting bracket. Ensure the back brackets of the power unit are engaged with corresponding wall bracket fingers (or top fingers and lower tab for PP5501 model; see figure below). Pull the power unit down to secure.

### PP6501 & PP7001



### PP5501

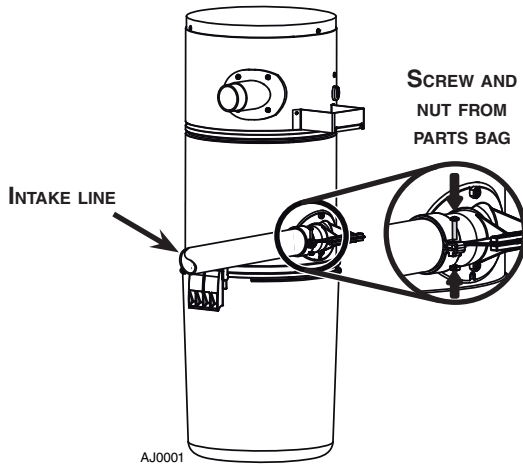


# POWER UNIT INSTALLATION (CONT'D)

## FITTING MAIN LINE TO POWER UNIT

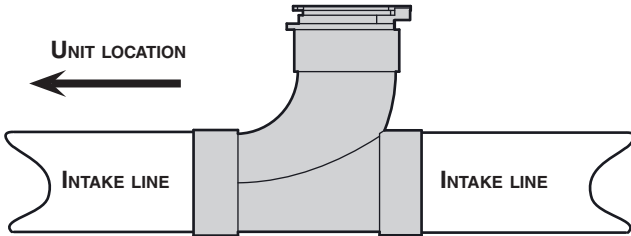
- 1 Run house vacuum line up to the elbow behind the power unit. Insert the end of the line in the elbow opening and secure house vacuum line by hand tightening the screw and nut provided (see illustration below). **DO NOT GLUE.**

INTAKE LINE TYPICAL CONNECTION TO POWER UNIT



### NOTE

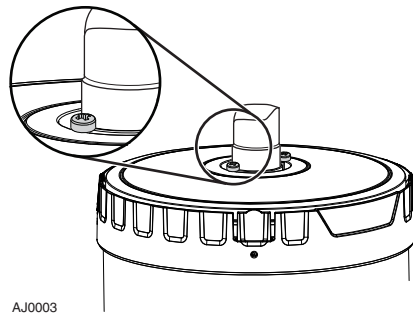
Ensure to connect the utility valve (included) to the intake line in the appropriate way, as shown below.



- 2 Assemble exhaust tubing to exhaust outlet on top or top side of the unit, according to the power unit model. **DO NOT GLUE.**

### NOTE FOR PP7001 UNIT ONLY

If desired, the coupling or elbow used to connect the exhaust line to the top of the unit may be secured using two 5/8" included screws. See illustration at right.



NOTE: Using flexible tubing will ease future top cap removal.

- 3 Make sure all tubing connections are air tight.
- 4 The exhaust should not be vented into a wall, ceiling or concealed space in the house. It is recommended to vent the vacuum exhaust air to the outdoors. Exterior vented exhaust line should end using Model 393 or CI330 wall cap.

NOTE: For optimal indoor air quality, exhausting the power unit to the outdoors is recommended but is not required.

## GROUNDING INSTRUCTIONS

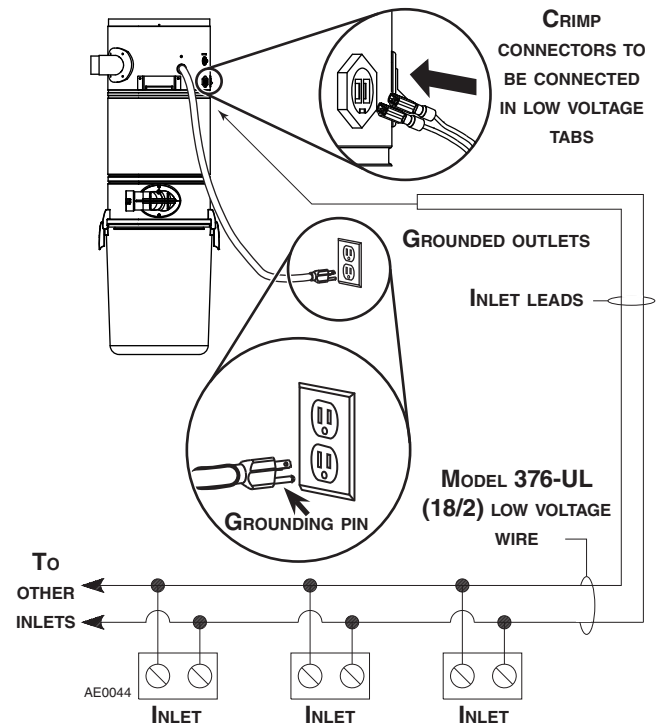
### ⚠ WARNING

Improper connection of the equipment-grounding conductor can result in a risk of electric shock. Check with a qualified electrician or service person if you are in doubt as to whether the outlet is properly grounded. Do not modify the plug provided with the appliance – if it will not fit the outlet, have a proper outlet installed by a qualified electrician.

Grounding Instructions – This appliance must be grounded. If it should malfunction or break down, grounding provides a path of least resistance for electric current, to reduce the risk of electric shock. This appliance is equipped with a cord having an equipment-grounding conductor and grounding plug. The plug must be plugged into an appropriate outlet that is properly installed and grounded in accordance with all local codes and ordinances.

## WIRING

This appliance is for use on a standard 120 VAC, minimum dedicated 20-amp branch circuit with a NEMA 5-15R receptacle. Make sure that the power unit is connected to an outlet and has a grounding attachment plug that looks like the plug shown in illustration below. No adapter should be used with this power unit.



NOTE: Inlet leads to be connected to power unit low voltage tabs using crimp connectors (included in parts bag) and low voltage harness.

# FINAL SYSTEM CHECK

Be sure all inlets are closed and soil bag (for PP5501 unit) is in place. Make sure this bag is properly installed in the power unit according to directions printed on the bag or in homeowner's manual. Check switch on power unit for manual on/off operation. Check that indicator light on side of power unit is lit.

Remove the owner's manual from the power unit debris pail. It may be convenient to store it with the cleaning tools and accessories.

Now it's time to enjoy the benefits of a NuTone Central Cleaning System. See Homeowner's Manual for operating and care information.

## WARRANTY

### NUTONE MODELS PP5501, PP6501 AND PP7001

#### NUTONE

#### CENTRAL VACUUM POWER UNIT LIMITED WARRANTY

NuTone warrants to the original consumer purchaser that its central vacuum power unit will be free from defects in materials and workmanship for five (5) years for PP5501 units, eight (8) years for PP6501 units and ten (10) years for PP7001 units. This warranty covers the parts and labor in an authorized service center for the first three (3) years of the warranty for PP5501 units, the first five (5) years of the warranty for PP6501 units, the first six (6) years of the warranty for PP7001 units. After these time periods, the parts only will be covered under this warranty. THERE ARE NO OTHER WARRANTIES, EXPRESSED OR IMPLIED, INCLUDING, BUT NOT LIMITED TO, IMPLIED WARRANTIES OF MERCHANTABILITY OR FITNESS FOR A PARTICULAR PURPOSE.

**During these time periods**, NuTone will, at its option, repair or replace the power unit or part without charge, which is found to be defective under normal use and service. THIS WARRANTY DOES NOT APPLY TO THE INSTALLATION OR THE PARTS USED IN THE INSTALLED TUBING SYSTEM. All central vacuum hoses, electric or air-driven brushes, filters, attachments and accessories are warranted for one (1) year from the original purchase date with the exception to consumables such as light bulbs and belts. We invite you to register your product on line at [www.nutone.com/register](http://www.nutone.com/register). NuTone reserves the right to limit this warranty if the product is not registered.

This warranty does not cover (a) normal maintenance and service or (b) any products or parts which have been subject to misuse, negligence, accident, improper maintenance or repair (other than by NuTone or an authorized representative), faulty installation or installation contrary to recommended installation instructions.

The duration of any implied warranty is limited to the period as specified for the express warranty.

NUTONE'S OBLIGATION TO REPAIR OR REPLACE, AT NUTONE'S OPTION, SHALL BE THE PURCHASER'S SOLE AND EXCLUSIVE REMEDY UNDER THIS WARRANTY. NUTONE SHALL NOT BE LIABLE FOR INCIDENTAL, CONSEQUENTIAL OR SPECIAL DAMAGES ARISING OUT OF OR IN CONNECTION WITH PRODUCT USE OR PERFORMANCE. Please do not return your unit to place of purchase. Please visit [www.nutone.com/register](http://www.nutone.com/register) for your closest service center. You may also call 1-888-336-3948 for the name of an authorized representative in your area. This warranty supersedes all prior warranties.

Warranty service is to be completed by an authorized Service Center designated by NuTone. Where applicable, in home service will be made available only in areas where a contracted service provider offers service during the first three (3) years of the warranty for PP5501 units, during the first five (5) years of the warranty for PP6501 units and during the first six (6) years of the warranty for PP7001 units. If in home service is not available, the product will be repaired or replaced, at NuTone's discretion, by the nearest authorized service provider. The unit removal and reinstallation works are under the customer responsibility, and NuTone cannot be charged for them.

To qualify for warranty service, you must notify NuTone at the address or telephone number stated below. We will then forward you the authorized service depot in your area. You will be required to present evidence of the original purchase date.

Date of Installation

Builder or Installer

Model Number and Product Description

#### IF YOU NEED ASSISTANCE OR SERVICE

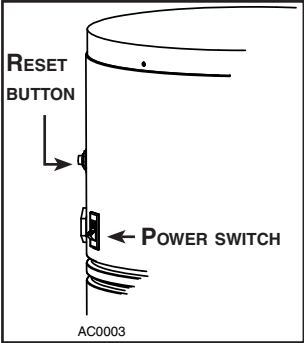
For the location of your nearest NuTone Independent Authorized Service Center:

**Residents of the contiguous United States**, dial toll free: **1-888-336-3948**

Please be prepared to provide: Product model number • Date and proof of purchase • The nature of the difficulty

**Residents of Alaska or Hawai** should write to: NuTone Inc. Attn: Department of National Field Service, 926 West State Street, Hartford, WI 53027

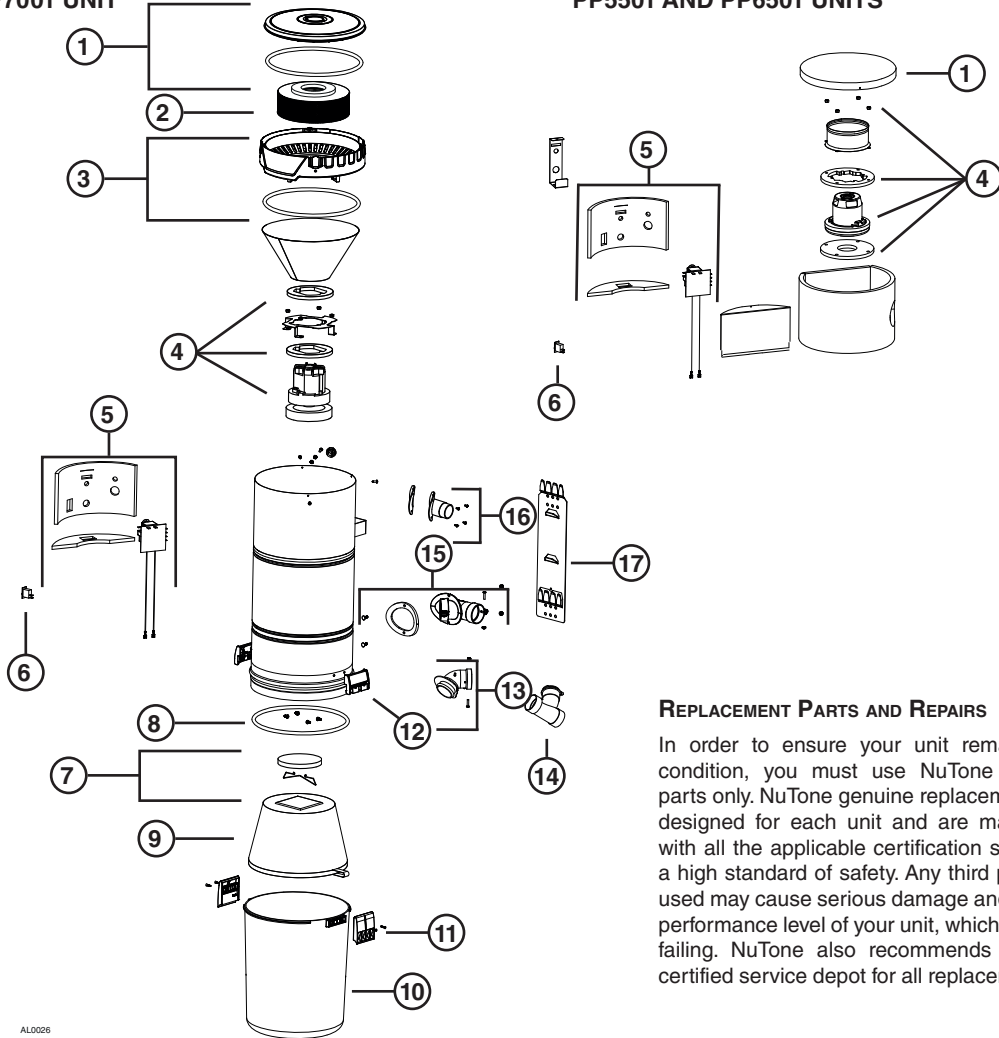
# TROUBLESHOOTING GUIDE

PROBLEMS	POSSIBLE CAUSES	POSSIBLE REMEDY
<p>1. Loss or decrease of suction occurs.</p>	<ul style="list-style-type: none"> <li>• Debris pail or disposable bag is completely full.</li> <li>• Debris pail gasket damaged or missing.</li> <li>• Obstruction in the hose. A blockage in the hose can be determined by inserting the hose into any wall inlet and, while power unit is running, check each additional inlet for normal suction by holding the palm of your hand over the open inlet. If normal suction is felt at all other inlets, insert the hose into a second inlet. If the blockage still exists it is located in the hose. However, if the blockage does not occur when the hose is changed, the blockage is probably located in the tubing system leading to the original inlet.</li> <li>• Obstruction in the tubing system inside the walls.</li> <li>• Permanent filter or disposable bag torn.</li> <li>• Wall inlet cover not properly sealed.</li> <li>• Exhaust tubing or vent clogged.</li> </ul>	<ul style="list-style-type: none"> <li>• Empty debris pail or change the disposable bag as described in user guide on page 4.</li> <li>• Replace the debris pail gasket.</li> <li>• Disconnect the hose from the wall inlet and insert a blunt instrument into the hose — slightly smaller in diameter — such as a flexible garden hose. Push the garden hose through the cleaning system hose until the obstruction has been cleared.</li> <li>• Insert hose end into any inlet to make power unit running, then place the palm of your hand over the opposite end of the hose. When you can feel the suction increase, hold your hand over the hose end for a few seconds and then quickly remove your hand. This procedure repeated several times should clear the obstruction. If the blockage is not cleared, contact your nearest Service Center.</li> <li>• Clean the interior of the unit and install a new sealed HEPA permanent filter (or disposable bag); see user guide on pages 4 and 5.</li> <li>• Check all wall inlet covers to be sure they are closed and sealed tightly.</li> <li>• Inspect and remove any blockages.</li> </ul>
<p>2. Power unit does not start, or stops suddenly.</p>	<ul style="list-style-type: none"> <li>• Defective inlet. Check other wall inlets.</li> <li>• Power unit internal circuit breaker has been activated (the reset button is popped up).</li> <li>• Blown fuse or tripped circuit breaker on house electrical panel.</li> <li>• Defective hose.</li> <li>• Power unit overcurrent protector has been activated.</li> </ul>	<ul style="list-style-type: none"> <li>• Replace defective wall inlet.</li> <li>• Push on the circuit breaker reset button located on the left side of the power unit. If this button pops up again, contact your authorized Service Center.</li> <li>• Replace fuse or reset circuit breaker on house electrical panel.</li> <li>• Replace hose as required.</li> <li>• Unplug the power unit, wait at least 15 minutes and plug back the power unit.</li> </ul> 
<p>3. Power unit runs continuously when the hose is removed.</p>	<ul style="list-style-type: none"> <li>• The unit power switch is in ON position.</li> <li>• An electrical short has occurred somewhere in the system.</li> </ul>	<ul style="list-style-type: none"> <li>• Set the unit power switch to OFF position.</li> <li>• Perform a complete check of all wall inlets and power unit low voltage control lead connections. Contact your authorized Service Center.</li> </ul>

# SERVICE PARTS

PP7001 UNIT

PP5501 AND PP6501 UNITS



## REPLACEMENT PARTS AND REPAIRS

In order to ensure your unit remains in good working condition, you must use NuTone genuine replacement parts only. NuTone genuine replacement parts are specially designed for each unit and are manufactured to comply with all the applicable certification standards and maintain a high standard of safety. Any third party replacement part used may cause serious damage and drastically reduce the performance level of your unit, which will result in premature failing. NuTone also recommends to contact a NuTone certified service depot for all replacement parts and repairs.

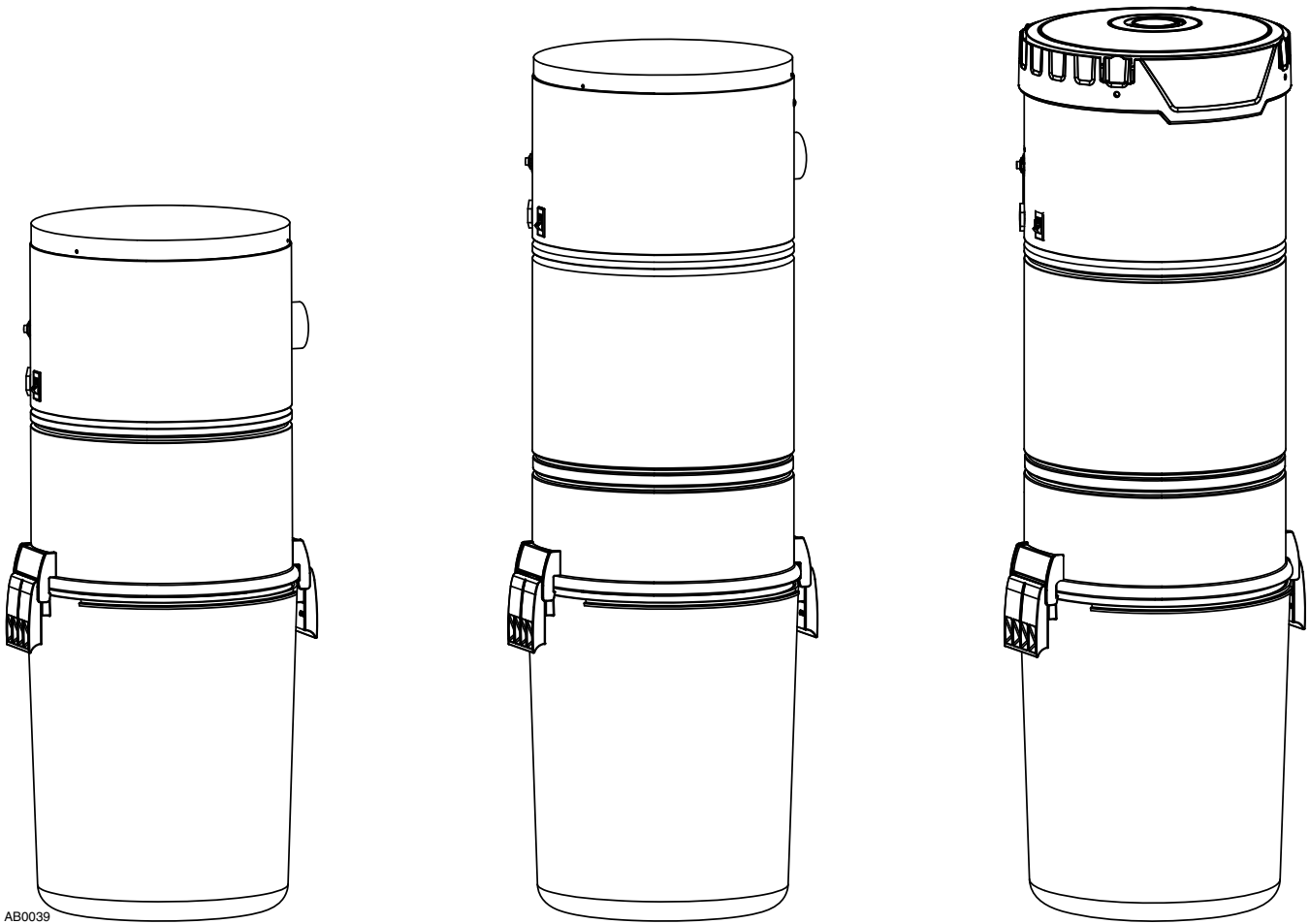
AL0026

KEY NO.	PART NO.	DESCRIPTION	PP5501	PP6501	PP7001
1	S10941409	PP7001 TOP CAP ASSEMBLY (INCLUDING ITEM 8) (UPPER PART)			1
	S10941424	PP5501 & PP6501 TOP CAP ASSEMBLY	1	1	
2	S10941416	PP7001 EXHAUST HEPA FILTER			1
3	S10941413	PP7001 TOP CAP ASSEMBLY (INCLUDING ITEM 8) (LOWER PART)			1
4	66368	MOTOR WITH UPPER AND LOWER FOAMS AND NUTS			1
	S10941418	MOTOR WITH UPPER AND LOWER FOAMS AND NUTS	1		
	S10941419	MOTOR WITH UPPER AND LOWER FOAMS AND NUTS		1	
5	S10941420	ELECTRONIC BOARD WITH BOTTOM FOAM AND SIDE FOAM	1	1	1
6	S99670649	ROCKER SWITCH	1	1	1
7	66369	MOTOR FOAM FILTER WITH FASTENER	1	1	1
8	S10941400	GASKET	1	1	3
9	S10941415	SEALED HEPA PERMANENT FILTER		1	1
10	S99670648	DEBRIS PAIL (INCLUDING KEY NO. 11)	1	1	1
11	S10941199	LATCH AND SCREWS	2	2	2
12	S10941404	LATCH KEEPER WITH SCREWS	2	2	2
13	S10941405	BAG ADAPTER WITH NUT AND SCREW	1	1	1
14	S10941408	UTILITY VALVE	1	1	1
15	S10941406	INTAKE ELBOW WITH GASKET, SCREWS, AND NUTS	1	1	1
16	S99670650	EXHAUST PORT WITH GASKET AND SCREWS	1	1	
17	S30390555	UNIT SUPPORT BRACKET	1	1	1
*	391	DISPOSABLE BAG (SET OF 3)	1	1	1

\* ITEM NOT SHOWN

NOTE: Order service parts by "Part No." — not by "Key No."

# UNIDADES DE ASPIRACIÓN CENTRAL SERIE PUREPOWER PP5501, PP6501 Y PP7001



AB0039

⚠ ÚNICAMENTE PARA USO RESIDENCIAL ⚠

BROAN-NuTONE LLC; HARTFORD, WISCONSIN [WWW.NUTONE.COM](http://WWW.NUTONE.COM) 1-888-336-3948

REGISTRE SU PRODUCTO EN LÍNEA EN: [WWW.NUTONE.COM/REGISTER](http://WWW.NUTONE.COM/REGISTER)

# IMPORTANTES INSTRUCCIONES DE SEGURIDAD

## GUARDE ESTAS INSTRUCCIONES LEA TODAS LAS INSTRUCCIONES ANTES DE USAR ESTE APARATO.

Cuando use un aparato electrodoméstico, siempre deben tomarse precauciones básicas, incluidas las siguientes:

### ADVERTENCIA

**Para reducir el riesgo de incendio, choque eléctrico o lesiones:**

1. No se use en superficies húmedas ni en exteriores.
2. No aspire líquidos ni polvos finos (tales como polvo de tablarroca).
3. No se use para recoger líquidos inflamables o combustibles tales como gasolina ni se use en áreas donde puedan estar presentes.
4. No recoja nada que se esté quemando o emitiendo humo, por ejemplo, cigarrillos, cerillos o cenizas encendidas.
5. No permita que se use como juguete. Ponga mucha atención cuando se use junto o cerca de los niños.
6. Úsese únicamente como se indica en este manual. Use únicamente los aditamentos recomendados por el fabricante.
7. Mantenga el cabello, ropas sueltas, los dedos y todas las partes del cuerpo alejadas de las aberturas y piezas en movimiento.
8. Apague todos los controles antes de desenchufar el aparato.
9. Tenga mucho cuidado cuando limpie escaleras.
10. NO maneje el enchufe ni el aparato con las manos húmedas.
11. NO se use con el cable o enchufe dañados. Si el aparato no está funcionando como debe ser, si ha sufrido caídas, daños, se ha dejado en exteriores o se ha caído en agua, lleve el aparato a un Centro de servicio técnico.
12. Mantenga su área de trabajo bien iluminada.
13. Conecte únicamente a un tomacorriente conectado a tierra correctamente. Consulte las instrucciones de conexión a tierra mostradas en la página 10.
14. Cuando lleve a cabo la instalación, reparación o limpieza de la unidad, se recomienda usar gafas y guantes de seguridad.

### PRECAUCIÓN

1. No ponga ningún objeto en las aberturas. No se use con ninguna abertura bloqueada, manténgase libre de polvo, pelusa, cabellos y cualquier cosa que pueda reducir el flujo de aire.
2. Asegúrese de que el aire fluya libremente y escape sin obstrucciones por la salida superior o lateral.
3. NO se use sin tener el filtro (o filtros, de acuerdo con el modelo) instalado.
4. NO se use para soplar hojas o basura.
5. NO se coloque ningún objeto encima de la unidad.
6. NO instale la unidad horizontalmente.
7. NO use la bandeja como cubeta de lavar.
8. NO use la bandeja como banquillo.
9. Evite recoger objetos afilados.
10. Este aparato es para usarse en un circuito de derivación estándar mínimo dedicado de 120 VCA, 20 A.
11. NO desenchufe la unidad jalando por el cable. Para desenchufar, agarre el enchufe, no el cable.
12. Guarde su aspiradora en interiores en un área limpia y seca alejada de las temperaturas extremas.
13. Cualquier reparación de servicio distinta a las recomendadas en este manual debe realizarse en instalaciones de servicio autorizadas.
14. Recomendamos que su unidad sea revisada por un técnico especializado una vez al año.



# CONTENIDO

---

<b>PLANIFICACIÓN Y ARREGLO DEL SISTEMA . . . . .</b>	<b>4-5</b>
LA CASA ESTILO RANCHO . . . . .	4
LA CASA DE DOS PISOS . . . . .	4
LA CASA DE DESNIVELES . . . . .	4
UBICACIÓN DE LA UNIDAD DE POTENCIA . . . . .	5
LA CASA ESTILO RANCHO . . . . .	5
UBICACIONES DE TUBERÍA Y TOMAS DE PARED . . . . .	5
<b>GUÍA DE INSTALACIÓN GENERAL . . . . .</b>	<b>5-6</b>
LISTA DE HERRAMIENTAS . . . . .	5
TRABAJANDO CON TUBERÍA DE PLÁSTICO . . . . .	5-6
<b>INSTALACIÓN EN UNA CONSTRUCCIÓN NUEVA . . . . .</b>	<b>7-10</b>
INSTALACIÓN OCULTA DE TOMA DE PARED . . . . .	7
INSTALACIÓN DE LA TUBERÍA . . . . .	8
INSTALACIÓN DE TOMA DE PARED . . . . .	9
CI399 ELECTRAVALVE™ INSTALACIÓN DE TOMA ELECTRIFICADA (INSTALACIÓN OCULTA DE CI399RK) . . . . .	10
<b>CI1358 SUPERVALVE™ JUEGO DE INSTALACIÓN OCULTA Y TOMA DE PARED. . . . .</b>	<b>11</b>
<b>INSTALACIÓN EN UNA CONSTRUCCIÓN EXISTENTE . . . . .</b>	<b>12-18</b>
UBICANDO LOS PUNTOS DE ACCESO EN LA CONSTRUCCIÓN EXISTENTE . . . . .	12
RODEAR OBSTÁCULOS EN EL INTERIOR DE LAS PAREDES. . . . .	12
INSTALACIÓN DE LA TUBERÍA DE TOMA. . . . .	12-14
INSTALACIÓN DE TOMA DE PARED . . . . .	14-16
TOMAS SERIE C370 O 360 (INSTALACIÓN OCULTA DE CF361 O CF361F) . . . . .	16-17
INSTALACIÓN DE TOMA DE PARED MODELO SERIE 330 (INSTALACIÓN OCULTA CF329) . . . . .	17-18
INSTALACIÓN DE TOMA DE PISO EN CONSTRUCCIÓN NUEVA Y EXISTENTE . . . . .	18
<b>CI377W CANSWEEP® INSTALACIÓN DEBAJO DEL GABINETE . . . . .</b>	<b>19-20</b>
<b>CI377W CANSWEEP® INSTALACIÓN EN LA PARED CON ZÓCALO . . . . .</b>	<b>21</b>
<b>ENSAMBLE DEL SISTEMA DE TUBERÍA . . . . .</b>	<b>22-24</b>
<b>INSTALACIÓN DE LA UNIDAD DE POTENCIA . . . . .</b>	<b>25-27</b>
CAMBIO DE DIRECCIÓN DE LA LÍNEA DE ENTRADA. . . . .	25
CONVERSIÓN DE LA UNIDAD DE POTENCIA DE OPERACIÓN CICLÓNICA A UN SISTEMA EMBOLSADO (BOLSA DE DESECHOS INCLUIDA) . . . . .	25
MONTAJE DE LA UNIDAD DE POTENCIA . . . . .	26
CONECTANDO LA LÍNEA PRINCIPAL A LA UNIDAD DE POTENCIA . . . . .	27
<b>INSTRUCCIONES DE CONEXIÓN A TIERRA . . . . .</b>	<b>27</b>
CABLEADO . . . . .	27
<b>REVISIÓN FINAL DEL SISTEMA . . . . .</b>	<b>28</b>
<b>GARANTÍA. . . . .</b>	<b>28</b>
<b>GUÍA DE LOCALIZACIÓN Y SOLUCIÓN DE PROBLEMAS . . . . .</b>	<b>29</b>
<b>PIEZAS DE SERVICIO. . . . .</b>	<b>30</b>

# PLANIFICACIÓN Y ARREGLO DEL SISTEMA

El sistema de limpieza central NuTone consta de una unidad de potencia, tubería y conectores de PVC, tomas de pared, una manguera flexible y varios aditamentos de limpieza.

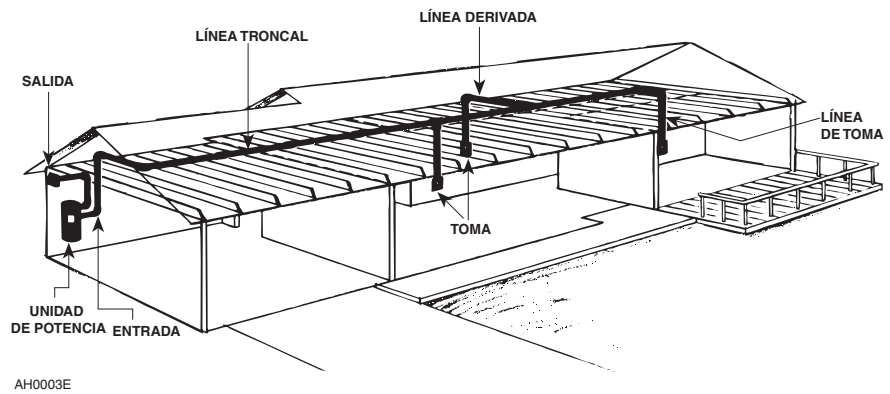
La unidad de potencia está diseñada para montarse en pared alejada del área de convivencia de la casa y conectada al área de convivencia por medio de tubería, conectores y tomas instaladas ocultas en la pared permanentemente.

Generalmente, una instalación requiere de 3 a 4 tomas y 16 a 20 pies de tubería por cada toma. Se sugiere que se utilice un plano de piso para determinar con mayor exactitud la cantidad de materiales necesarios.

Use los siguientes ejemplos como ayuda en la planificación de la instalación en construcciones nuevas o existentes. Debe poder adaptar los ejemplos mostrados al arreglo específico a su casa.

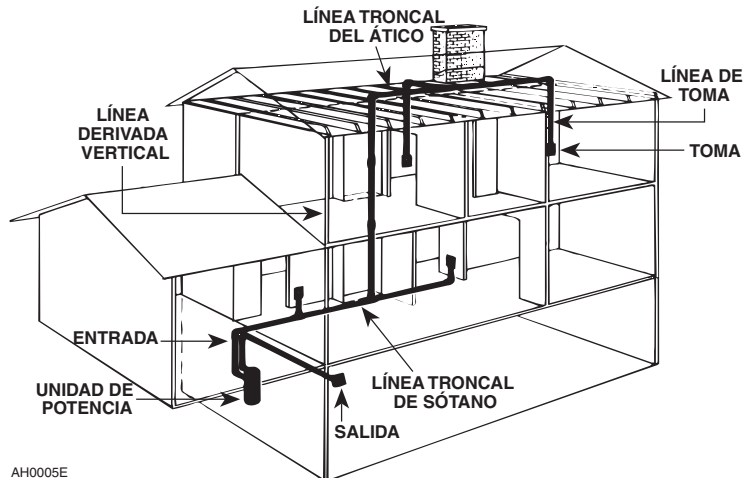
## LA CASA ESTILO RANCHO

Aquí la unidad de potencia está montada en la cochera. La tubería de entrada y de salida, la única tubería expuesta en la instalación, se tiende hacia arriba por la pared de la cochera y hacia el ático. La línea troncal se tiende horizontalmente a través del ático desde la unidad de potencia hasta la ubicación de toma más lejana. Las líneas derivadas se esparcen a lo largo del ático, conectando la línea troncal a la tubería de toma. Cada tubo de toma está ensartado verticalmente a través de una pared interior. Localizadas en pasillos y en habitaciones grandes, las tomas se colocan para proporcionar máximo acceso a todas las áreas de limpieza. Ver la figura de la derecha.



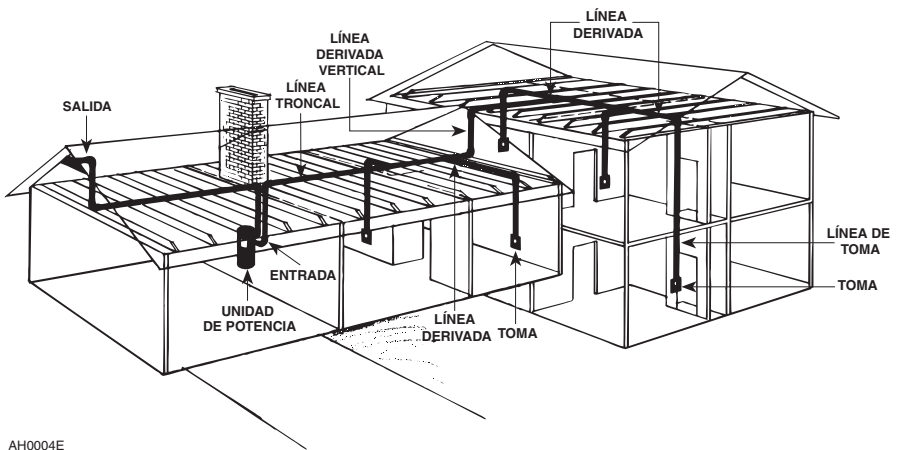
## LA CASA DE DOS PISOS

En una casa de dos pisos se utiliza comúnmente un sistema de doble línea troncal. En la instalación mostrada en la imagen de la derecha, la unidad de potencia está montada en el sótano. La tubería de entrada se tiende hacia arriba por la pared del sótano y se conecta con la línea troncal principal, la cual se tiende a lo largo del cielo del sótano no acabado. Dos tomas en el primer piso están conectadas a la línea troncal del sótano por medio de líneas de toma vertical que se tienden a través de las paredes exteriores. En el centro de la casa, una línea derivada vertical se tiende desde la línea troncal del sótano, a través de closets apilados, hacia arriba al ático. Una segunda línea troncal se tiende a través del ático y dos líneas derivadas se conectan a las líneas de toma las cuales bajan a través de las paredes interiores del piso de arriba. Ver la figura de la derecha.



## LA CASA DE DESNIVELES

Al igual que la casa de dos pisos, la instalación en desniveles comúnmente requiere de una línea troncal de dos niveles. Aquí, la unidad de potencia está ubicada en la cochera. La tubería de entrada se tiende expuesta hacia arriba por la pared de la cochera y hacia el ático a nivel del suelo. Dos líneas derivadas conectan esta parte de la línea troncal a las líneas de toma las cuales bajan por dentro de las paredes interiores. Una línea derivada vertical se tiende hacia el ático del piso de arriba, donde la línea troncal se deriva en forma T. Esta línea troncal se conecta a dos líneas de toma en el piso de arriba y a una línea de toma la cual baja por una pared del piso de arriba hacia la habitación de servicio de tercer nivel para dar servicio a todo este piso. Ver la figura de la derecha.



# PLANIFICACIÓN Y ARREGLO DEL SISTEMA (CONT.)

## ⚠ ADVERTENCIA

No instale en exteriores. Cuando lleve a cabo la instalación, el mantenimiento o la limpieza de la unidad, se recomienda usar gafas y guantes de seguridad.

## UBICACIÓN DE LA UNIDAD DE POTENCIA

- Ubique la unidad de potencia desde el área de convivencia general en un lugar accesible para limpieza y mantenimiento.
- Cuando planifique la instalación de la unidad de potencia PP7001, recuerde que está equipada con una toma para dar servicio a la cochera, sótano, cuarto de servicio, etc., donde quiera que esté ubicada.
- Ubique la unidad de potencia dentro de 6 pies de distancia de un tomacorriente eléctrico conectado a tierra. La unidad de potencia requiere una fuente de alimentación de 120 VCA.
- No coloque la unidad de potencia cerca de una fuente de calor extremo (por ejemplo: calentador de agua) o en un área con alta temperatura ambiente (por ejemplo: ático, cuarto de calefacción).
- Si la unidad de potencia se ubica en un clóset o en un pequeño cuarto de servicio, asegúrese de que el área esté bien ventilada (por ejemplo: con rejillas en las puertas).
- Para un óptimo rendimiento, se recomienda un dispositivo extractor hacia el exterior para la unidad de potencia. El extractor no debe ventilar hacia una pared, cielo o espacio cerrado en la casa. La línea del extractor debe ventilar hacia el exterior de la casa usando cornisas de pared modelo 393 o CI330.

## UBICACIONES DE TUBERÍA Y TOMAS DE PARED

- 1 Ubique las tomas en las paredes interiores, eligiendo las ubicaciones centrales que permitan limpiar varias habitaciones desde una sola toma usando una manguera de 30 pies de largo.
- 2 La instalación de tubería debe consistir de una línea troncal principal que se tiende desde la toma de pared más lejana hasta la ubicación de la unidad de potencia, con líneas derivadas tendidas hacia cada toma adicional. Mantenga todas las líneas de tubería lo más rectas posibles y use la menor cantidad posible de conectores.
- 3 Comenzando en el área más alejada de la unidad de potencia, elija una ubicación de toma tentativa. Mida 30 pies desde la ubicación de toma propuesta hasta la esquina más lejana de las habitaciones que se van a limpiar por esa toma, para determinar si la ubicación de la toma es adecuada. Si está trabajando con planos (o planos del edificio dibujados a una escala de  $1/4" = 1$  pie), use una cadena de  $7\frac{1}{2}"$  como guía para determinar las ubicaciones de las tomas.
- 4 Ubique las tomas dentro de seis pies de un tomacorriente eléctrico para permitir el uso de una manguera eléctrica opcional.
- 5 Asegúrese de que las tomas no sean bloqueadas por puertas o muebles.
- 6 Asegúrese de que las tomas no interfieran con las instalaciones eléctricas, plomería y otras instalaciones mecánicas.
- 7 Mueva la ubicación tentativa de la toma como sea necesario. Siga el mismo procedimiento para determinar cada ubicación de toma adicional, siempre trabajando hacia la unidad de potencia.

## GUÍA DE INSTALACIÓN GENERAL

### ⚠ ADVERTENCIA

Cuando las regulaciones locales aplicables requieran una instalación más estricta y/o cumplir con requerimientos de certificación, los requerimientos antes mencionados reemplazarán a los de este documento y el instalador acepta cumplir con estos requerimientos bajo su propio riesgo.

## LISTA DE HERRAMIENTAS

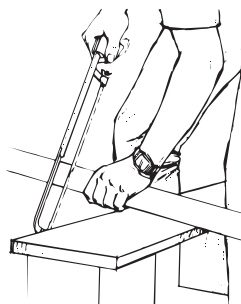
Dependiendo de su instalación, puede requerir el uso de estas herramientas. Se recomienda usar herramientas eléctricas o neumáticas para realizar su instalación rápidamente. También, use una máscara de protección cuando corte conductos (polvo PVC) y guantes cuando use pegamento.

- |                                      |                      |                            |
|--------------------------------------|----------------------|----------------------------|
| • Pelacables                         | • Taladro de $1/4"$  | • Linterna                 |
| • Navaja de servicio                 | • Espátula           | • Cinta aislante eléctrica |
| • Navaja                             | • Martillo           | • Gafas de seguridad       |
| • Sierra perforadora $2\frac{1}{2}"$ | • Sierra de calar    | • Segueta                  |
| • Taladro de $1/2"$                  | • Cíncel corta frío  |                            |
|                                      | • Nivel              |                            |
|                                      | • Broca para taladro |                            |
|                                      | • Desarmador         |                            |
|                                      | • Llave              |                            |
|                                      | • Cinta de medir     |                            |

## TRABAJANDO CON TUBERÍA DE PLÁSTICO

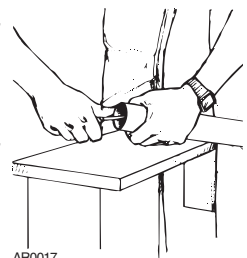
### RECORTE DE TUBERÍA

Antes de cortar un tramo de tubería, mida con exactitud el largo que necesita. Deje  $5/8"$  de tubo para insertar en los conectores y  $1\frac{1}{2}"$  para insertar en la tubería flexible. Corte la tubería de plástico con una segueta, asegurándose de que el corte sea exactamente cuadrado. (Puede usar un cortador de tubo si está disponible). Use cortadoras de cable o tijeras de hojalatero para cortar la tubería flexible. Los tramos de  $8"$  de tubería flexible suministrados con cada toma no deben cortarse. Ver la figura de la derecha.



AR0016

Use una navaja pequeña para quitar cualquier rebaba del interior del tubo. También puede usar lana de acero para eliminar las rebabas. Las rebabas deben eliminarse ya que pueden obstruir el flujo de aire o formar taponamientos al enmarañar cables e hilos de alfombras. Ver la figura de la derecha.



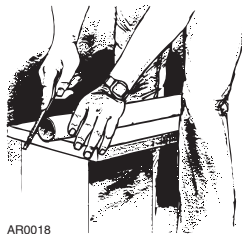
AR0017

# GUÍA DE INSTALACIÓN GENERAL (CONT.)

## TRABAJANDO CON TUBERÍA DE PLÁSTICO (CONT.)

### RECORTE DE TUBERÍA (CONT.)

A continuación, use una lima para biselar ligeramente el exterior del tubo de modo que se deslice fácilmente en el conector. Use lana de acero o papel de lija ligera para pulir la superficie del tubo que se va a pegar. De este modo limpia el tubo y asegura un buen sellado. Ver la figura de la derecha.

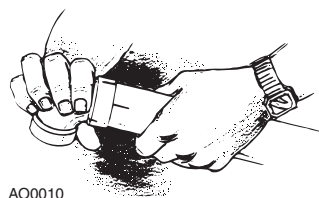
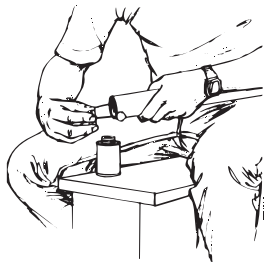


### HACER UNA UNIÓN

Inserte el tubo en el conector, alineando las dos piezas que se van a instalar. Marque el tubo y el conector de modo que pueda realinear rápidamente la unión. Ver la figura de la derecha.



Aplique pegamento únicamente al exterior del tubo. Unte el pegamento generosamente en una tira de una pulgada de ancho. Inserte el tubo en el conector con las marcas de alineación separadas un cuarto de vuelta, y luego empuje rápidamente y gire el conector hacia las marcas de alineación esparciendo el pegamento. Deje secar la unión durante un minuto. También puede usar cinta de aislamiento eléctrica o cinta adhesiva para conductos para sellar aún más la unión. Ver la figura de la derecha.

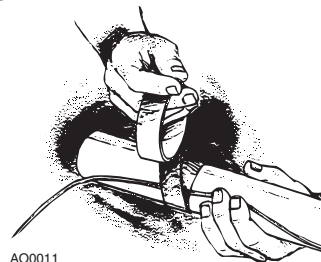


### PEGAR LA TUBERÍA FLEXIBLE

Asegúrese de que los extremos de la tubería flexible estén parejos, recorte como sea necesario. Cuando una la tubería flexible con la tubería de plástico o con una placa de montaje de toma, aplique el pegamento a ambos lado interior de la tubería flexible y lado exterior de la tubería de plástico o anillo de tubería de la placa de montaje. Gire las dos piezas mientras las une para extender uniformemente el pegamento. Deje reposar el pegamento durante cinco minutos en la tubería flexible. También puede usar cinta de aislamiento eléctrica o cinta adhesiva para conductos para sellar aún más la unión.

### SUJETAR EL CABLE A LA TUBERÍA

El cable de bajo voltaje se tiende a lo largo de la tubería. Para asegurar que el cable se sujete y no cuelgue en una pared, use cinta eléctrica para adherir el cable a la tubería. Aplique cinta al cable cada 12 a 18 pulgadas aproximadamente. Ver la figura de la derecha.



# INSTALACIÓN EN UNA CONSTRUCCIÓN NUEVA

## INSTALACIÓN OCULTA DE TOMA DE PARED

Una vez que las ubicaciones para las tomas de pared se han determinado, monte todos los soportes de toma.

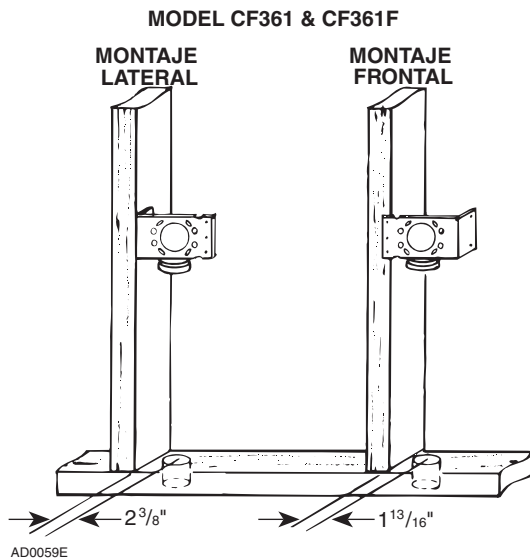
- 1 Elija el soporte de montaje apropiado para la toma que va a instalar. (Consulte la gráfica a continuación).

		SERIE DE INSTALACIÓN OCULTA							
		395	396-3	CI3301RK	CI3303RK	CF329	CF361	CF361F	CI399RK
SERIE DE VÁLVULA DE PARED	330			X	X	X			
	360	X	X				X	X	
	CI358	Instalación oculta y válvula de pared vendidas juntas							
	CI399								X

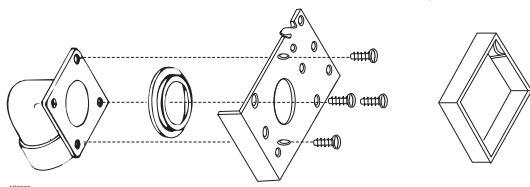
- 2 Para ubicar un soporte en un montante de pared, mida aproximadamente 18" hacia arriba desde el nivel del piso acabado. (La altura puede variar conforme a preferencia individual)

### MODELOS CF361 Y CF361F (PARA USARSE CON TOMA 360)

- 3 Consulte la figura a continuación. Clave el soporte en el lado del montante de modo que el borde frontal del soporte quede al ras con el frente del montante. (El soporte también puede clavarse al borde frontal del montante). Ver imagen del montaje de cara. Para el montaje de cara, use las orejas guías en el soporte para una alineación correcta).

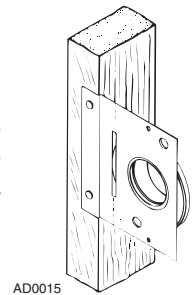


- 4 Consulte la figura a continuación. Quite el cartón del marco protector de yeso. Usando los cuatro (4) tornillos suministrados, fije el conector bridado y el sello de la toma a la parte posterior de la toma.
- 5 Reinstale el cartón en el marco protector de yeso



### MODELOS CF329 (PARA USARSE CON TOMAS 330)

- 6 Cuando use el Modelo CF329, pegue el codo a la placa de montaje. Fije al montante como se muestra en la figura de la derecha.



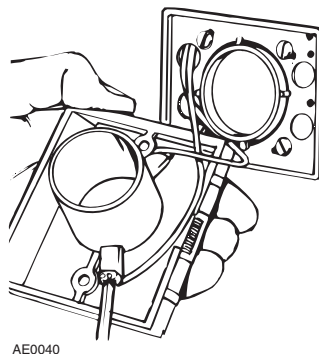
# INSTALACIÓN EN UNA CONSTRUCCIÓN NUEVA (CONT.)

## INSTALACIÓN DE LA TUBERÍA

Siga los siguientes lineamientos de instalación cuando instale la tubería.

- 1 Comience la instalación de la tubería en la toma más lejana y trabaje hacia la unidad de potencia.
- 2 La tubería tendida hacia la unidad de potencia debe ser lo más recta posible.
- 3 Cuando ensamble las secciones con codos y conectores T, asegúrese de que la curva en los conectores esté alineada de modo que el aire fluya hacia la unidad de potencia.
- 4 Las líneas derivadas siempre deben unirse a la línea troncal desde arriba o al mismo nivel. Nunca haga la unión de una línea derivada desde un ángulo debajo de la línea troncal.

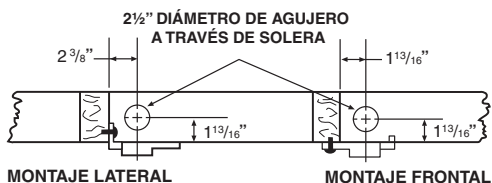
- 5 Consulte la figura de la derecha. Encamine el cable de bajo voltaje (Modelo 376UL) y sujételo a la tubería cuando esté instalando la tubería. El soporte de tubo del Modelo CF380 se puede usar para soportar largos tramos de tubería (posicione cerca de las vigas) y para sujetar el cable a lo largo de la tubería. Sujete la tubería a las vigas o montantes. Deje un tramo de 6" de cable aproximadamente para conectarse a cada toma.



AE0040

- 6 Recorte un orificio con un diámetro de 2½" en la solera, cabezal o montante directamente en línea con la abertura del conector del soporte de la toma. Ver la figura a continuación para las dimensiones de la línea central.

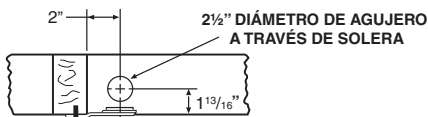
MONTAJE DE MODELO CF361



MONTAJE LATERAL

MONTAJE FRONTAL

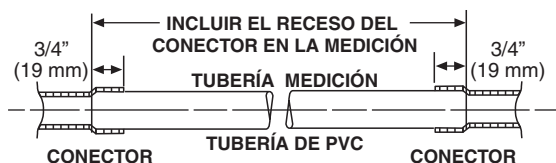
MONTAJE DE MODELO CF329



AD0055E

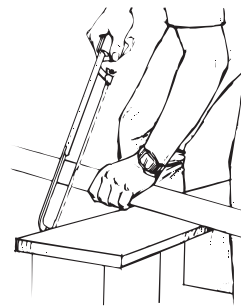
MONTAJE FRONTAL

- 7 Ver la figura a continuación. Mida la longitud de la tubería necesaria para conectar la toma a la línea troncal. Deje ¾" de tubería aproximadamente para insertarse en los conectores.



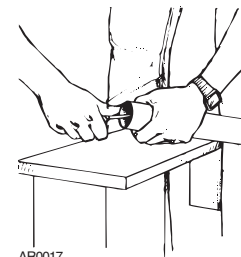
AD0017E

- 8 Consulte la figura de la derecha. Recorte la tubería, manteniendo el corte cuadrado.



AR0016

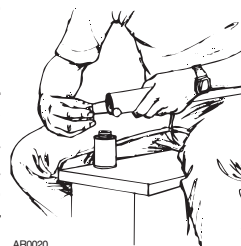
- 9 Consulte la figura de la derecha. Elimine las rebabas del interior y exterior de la tubería.



AR0017

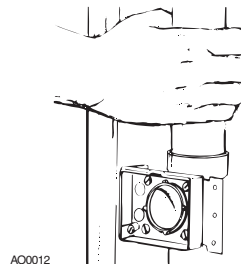
- 10 Antes de aplicar el pegamento, ensamble la sección al conector de la toma, revise que sea de longitud correcta.

- 11 Consulte la figura de la derecha. Aplique pegamento para PVC (Modelo 379) al exterior de la tubería. Aplique una capa a la tubería de 1" aproximadamente hacia atrás. Tenga cuidado de evitar que el pegamento ingrese al tubo.



AR0020

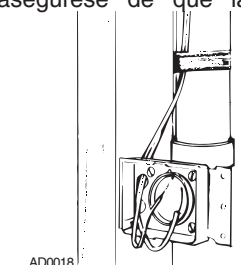
- 12 Consulte la figura de la derecha. Inserte el tubo en el conector con un movimiento giratorio para esparcir uniformemente el pegamento. Asegúrese de que la tubería asiente firmemente en el conector.



AO0012

- 13 Si los conectores se fijaron a la tubería en el extremo opuesto del soporte de toma, asegúrese de que la alineación sea correcta antes de que el pegamento se seque.

- 14 Consulte la figura de la derecha. Encinte el cable a la tubería para sujetarlo en su lugar y luego inserte a través del orificio en el soporte de la toma.



AD0018

- 15 Conecte cada línea de toma y línea derivada a la línea troncal principal. Instale el cableado de bajo voltaje mientras la línea troncal principal continúa de regreso a la unidad de potencia.

### ⚠ ADVERTENCIA

Cuando la tubería se tiende a través del montante de pared, solera, cabezales o en cualquier lugar del edificio donde los materiales de construcción se van a fijar, coloque una placa para clavos (Modelo 378) sobre el área (en ambos lados si es necesario) para prevenir que los clavos perforen la tubería.

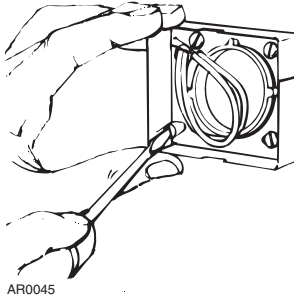
# INSTALACIÓN EN UNA CONSTRUCCIÓN NUEVA (CONT.)

## INSTALACIÓN DE LA TOMA DE PARED

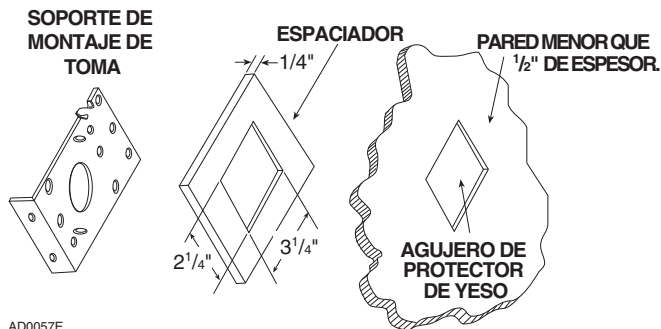
### TOMA DE PARED MODELO 360 (INSTALACIONES OCULTAS CF361 Y CF361F)

1 Quite el protector de yeso de cartón.

2 Consulte la figura de la derecha. Para algunas construcciones paneles de yeso o tablarroca, el marco protector de yeso se extenderá más allá de la pared acabada. En este caso, quite el marco de yeso del soporte de montaje quitando los tornillos de montaje.

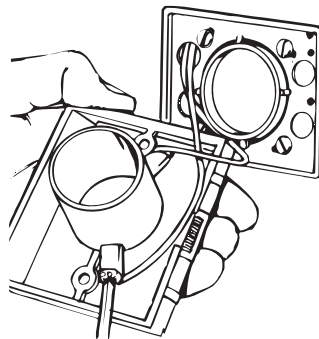


**NOTA:** Cuando use el soporte de toma modelo CF361 y CF361F en paredes más delgadas que 1/2", use un espaciador de 1/4" (no suministrado) entre la pared y el soporte de toma. Ver figura a continuación. El espaciador puede estar hecho de madera laminada, Masonite™, etc. Se puede usar pegamento de contacto para sujetar el espaciador en su lugar durante el ensamble. La configuración del espaciador puede variar dependiendo de la instalación.



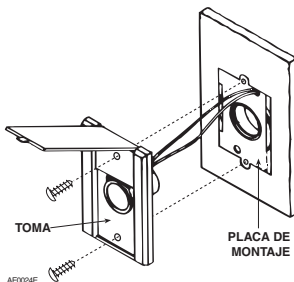
AD0057E

3 Consulte la figura de la derecha. Conecte el cable de bajo voltaje de dos conductores a los tornillos de terminal en la parte posterior de la toma de pared.



4 Guíe el exceso de cable de regreso a través del orificio en el soporte de la toma y el conector bridado.

5 Consulte la figura de la derecha. Coloque la toma en el soporte de montaje y fije.

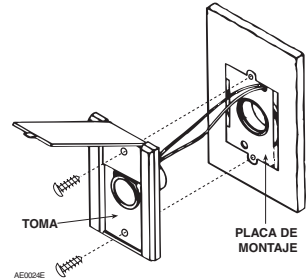


### TOMA DE PARED MODELO 330 (INSTALACIÓN OCULTA CF329)

1 Consulte la figura de la derecha. Conecte un cable de bajo voltaje de 2 conductores a los tornillos de terminal en la parte posterior de la toma de pared.

2 Alinee los orificios de montaje de la toma con los orificios en la placa de montaje.

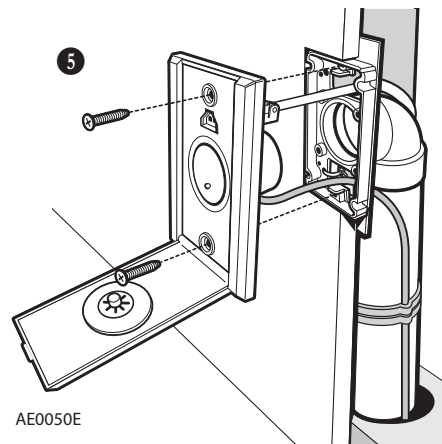
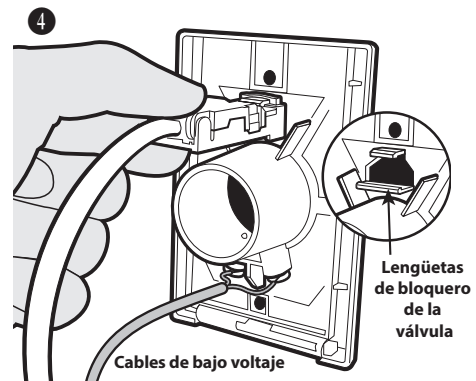
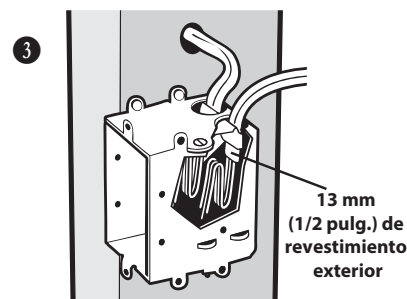
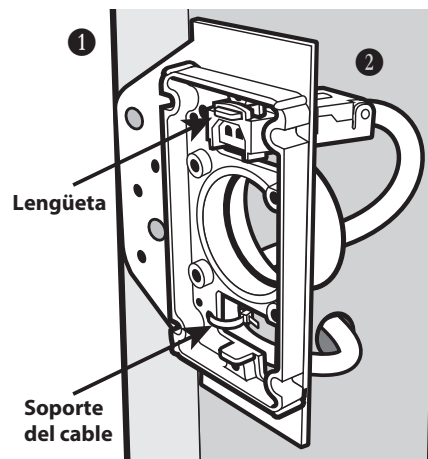
3 Consulte la figura de la derecha. Coloque la toma en la placa de montaje y fije con los dos tornillos suministrados.



# INSTALACIÓN EN UNA CONSTRUCCIÓN NUEVA (CONT.)

## CI399 ELECTRAVALVE™ INSTALACIÓN DE TOMA ELECTRIFICADA (INSTALACIÓN OCULTA CI395RK)

- 1 Sujete la placa de montaje en un travesaño. Ubique el orificio inferior de la placa de montaje que se identifica como "Wire Trap" (soporte del cable) y utilice un sujetacables de plástico para sujetar el cable en la parte posterior de la placa de montaje, en el sitio donde está la marca de 25,4 cm (10 pulg.).
- 2 Coloque el enchufe ensamblado con el cable a través del orificio superior de la placa de montaje. Sujete el enchufe con la lengüeta de la placa de montaje como se muestra. Con esto se mantendrá fijo y no se dañará durante la colocación de la lámina de yeso y las tareas de acabado.
- 3 Lleve el cable hasta la caja de conexión adyacente. Si ha de pasar por un travesaño, perforo un orificio directamente en el centro de este último y pase el cable a través de él. Pele 15 cm (6 pulg.) del revestimiento exterior de ese extremo del cable y colóquelo en el interior de la caja de conexión a través de un dispositivo de protección contra tirones. Asegúrese de que dicho dispositivo quede colocado contra el revestimiento exterior (no lo apriete demasiado). Deje 13 mm (1/2 pulg.) de revestimiento dentro de la caja de conexión. Doble los 15 cm (6 pulg.) de cable negro y cable blanco en el interior de la caja de conexión. Deje los cables para que el electricista los conecte cuando instale la toma.
- 4 Cuando se haya colocado el yeso y se hayan realizado las tareas de acabado; tire del enchufe para que se suelte de la lengüeta e insértelo a presión en la abertura situada en la parte posterior de la nueva ElectraValve®. Asegúrese de que el enchufe quede firmemente bloqueado en su sitio como se muestra. Conecte los cables de bajo voltaje en los tornillos de contacto.
- 5 Inserte la válvula en la placa de montaje y sujétela a esta



### PRECAUCIÓN

El uso de herramientas de potencia tal como los buriladores no se recomienda para usarse con la instalación de la toma, ya que la remoción de la pared de yeso con estos dispositivos puede causar daños a la placa de montaje y/o al enchufe de la toma.

con los tornillos que se suministran.

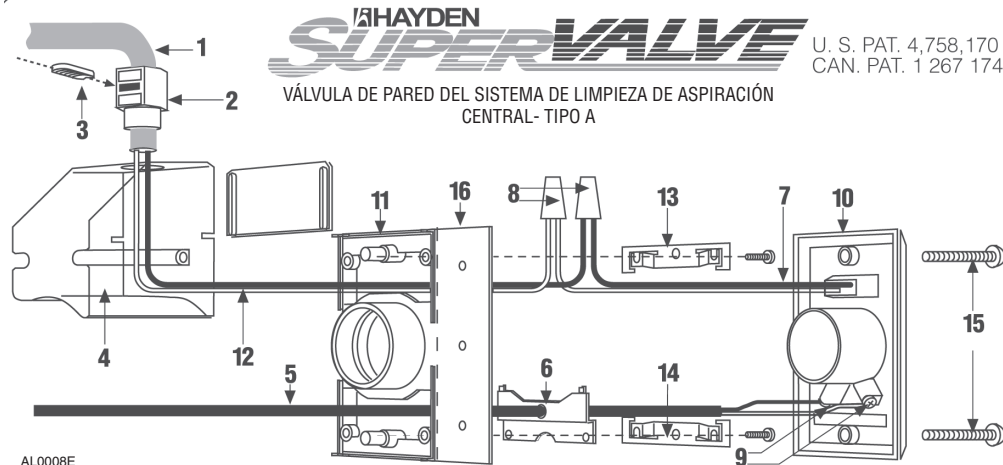
### ⚠ ADVERTENCIA

Todas las válvulas de conexión directa del lugar y de la instalación deben conformar con todos los códigos de construcción locales y municipales.

AE0050E



# C1358 SUPERVALVE™ JUEGO DE INSTALACIÓN OCULTA Y TOMA DE PARED



## INSTRUCCIONES DE SEGURIDAD

ÚNICAMENTE PARA USO RESIDENCIAL. INSTALE ÚNICAMENTE EN UNA ALIMENTACIÓN NOMINAL DE 120 V, 60 Hz, 7 A PROTEGIDA CON UN DISPOSITIVO PROTECTOR DE SOBRECORRIENTE MÁXIMA DE 15 A.

EL CONECTOR DE CLAVIJA EN ESTE TIPO DE VÁLVULA DE PARED ESTÁ DESTINADO PARA USARSE EN UNA ALIMENTACIÓN NOMINAL DE 120 V, 60 Hz, 7 A ÚNICAMENTE. SE REQUIERE QUE SEA CABLEADO POR UN ELECTRICISTA CALIFICADO Y QUE CONFORME CON LOS CÓDIGOS ELÉCTRICOS LOCALES.

### ⚠ ADVERTENCIA

**¡NO operar en superficies húmedas!**

#### CONSTRUCCIÓN NUEVA

- 1 Instale los CONDUCTORES DE CABLEADO DEL EDIFICIO (1) a través del tipo de CONECTOR (2) eléctrico aprobado (suministrado) hasta que sobresalga aproximadamente seis pulgadas del conector. Asiente el conector firmemente en la abertura en el COMPARTIMIENTO DE CABLEADO (4). Inserte y asegure la LENÜETA DE BLOQUEO (3).
- 2 Empalme los cables del TOMACORRIENTE DE VÁLVULA DE TOMA (7) a los conductores de cable del edificio protuberantes con los CONECTORES DE CABLE DE ROSCA Número 31 (8) (no suministrados).

**NOTA:** Cable BLANCO a cable BLANCO y cable NEGRO a cable NEGRO.

- 3 Encamine los CABLES DEL RELÉ DE BAJO VOLTAJE (5) a través de la abertura en la TAPA LVT (6) y conecte a los dos tornillos de contacto de la TAPA DE VÁLVULA DE TOMA (9).
- 4 Empuje la tapa de la válvula de toma (10) en la PLACA DE MONTAJE (11). Al mismo tiempo, empuje los CONDUCTORES ELÉCTRICOS (12) y los conectores (8) al COMPARTIMIENTO DE CABLEADO (4). Retroceda los dos tornillos que sujetan el compartimiento en su lugar. Deslice debajo del SUJETADOR DE PARED ACABADA (13) debajo de los tornillos/cabezas y apriete firmemente ambos el compartimiento de cableado y el sujetador superior de pared acabada (13) con los TORNILLOS DE MONTAJE (suministrados).
- 5 Instale el SUJETADOR INFERIOR DE PARED ACABADA (14) con los tornillos (suministrados).
- 6 Fije la tapa de válvula de toma (10) a la placa de montaje (11) usando los dos TORNILLOS (15) de igual color suministrados.



No. LR 61865



No. 2722

#### CONSTRUCCIÓN ACABADA

Después del tubo, cable de control de relé de bajo voltaje, cables eléctricos del edificio y de que la abertura en la pared se ha cortado:

- 1 Quite la BRIDA PARA CLAVOS (16) de la placa de montaje. Use una segueta o un raspador con navaja a lo largo de la línea punteada y desprenda.
- 2 Repita el paso 1 (de CONSTRUCCIÓN NUEVA).
- 3 Instale la placa de montaje modificada con el ELL de 90° recortado pegado en su posición en la abertura de la pared.
- 4 Repita los pasos 2 - 6 (de CONSTRUCCIÓN NUEVA).

# INSTALACIÓN EN UNA CONSTRUCCIÓN EXISTENTE

## UBICANDO LOS PUNTOS DE ACCESO EN LA CONSTRUCCIÓN EXISTENTE

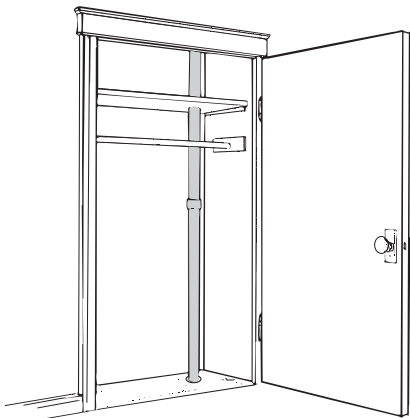
Excepto cuando su casa sea estilo rancho donde una sola línea troncal pueden tenerse directamente a través del ático o sótano, usted debe investigar primero su casa para encontrar los puntos de acceso para tender su tubería de nivel a nivel. Busque un área accesible libre de obstrucciones que alojará la tubería de 2".

Si sabe cómo se construyó su casa existente, puede ser relativamente fácil encontrar rutas de acceso para tender la tubería. Consulte nuevamente las ilustraciones en la página 4 cuando considere la construcción de su casa.

Aquí se muestran algunos puntos de acceso que puede encontrar en su casa.

### CLÓSETS APILADOS O CANAL DE LAVANDERÍA

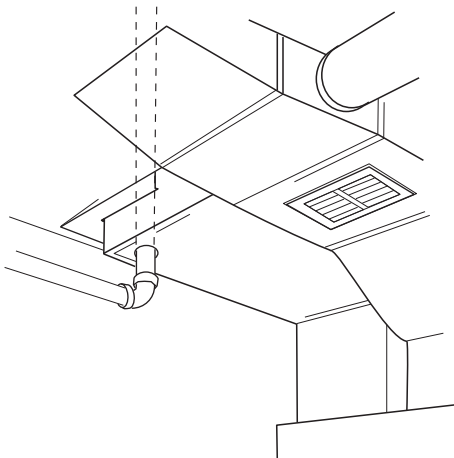
Muchas casas tendrán un clóset en el piso de arriba ubicado directamente arriba del clóset del piso de abajo. Es fácil tender la tubería desde un nivel de piso a otro dentro de estos clósets apilados. En estas instalaciones la tubería frecuentemente se deja expuesta en el interior de los clósets. Ver figura a continuación. Un canal de lavandería también puede proporcionar acceso desde el sótano a los pisos superiores. También puede considerar tender una tubería expuesta a través de gabinetes o armarios.



AD0019

### RETORNO DE AIRE FRÍO

Un retorno de aire frío proporciona un tendido recto desde el sótano a los demás niveles de la casa. Ver figura a continuación. Los conductos de ventilación se cortan fácilmente para el acceso. Selle alrededor del tubo cuando termine la instalación.



AD0061

Use los siguientes procedimientos para la instalación en una construcción existente. Se puede acceder a las tomas de pared en la construcción existente desde abajo (sótano o espacio sanitario). Las instrucciones aplican a cualquiera de los métodos.

Comenzando desde la ubicación de toma de pared más lejana, instale cada toma como se describe a continuación. Trabajando en retroceso hacia la unidad de potencia, conecte cada línea de toma y línea derivada a la línea troncal principal. Consulte la página 24. Termine el cableado de bajo voltaje en la medida en que continúa con la línea troncal principal hacia la unidad de potencia. Monte la unidad de potencia y termine el cableado. Consulte las páginas 59 a 61.

## RODEAR OBSTÁCULOS EN EL INTERIOR DE LAS PAREDES

La tubería que conecta la toma con la línea troncal se ensarta a través de las paredes de partición interior. Después de elegir una ubicación de toma, asegúrese de que la pared no contenga obstáculos ocultos los cuales le impidan tender la tubería hacia la toma.

### CABLEADO ELÉCTRICO

El aislante en estas paredes le impedirá tender la tubería a través de ellas.

### PAREDES EXTERIORES

El cableado no debe obstruir su tubería, pero también siempre debe asegurarse de que la tubería no dañe el cableado. Los tomacorrientes eléctricos e interruptores de pared son señales de cableado.

### CONDUCTOS DE VENTILACIÓN

Evite elegir una sección de la pared que contenga conductos de ventilación. Si ve señales de conductos de ventilación —tal como rejillas de piso o de cielo—mueva su ubicación de toma hacia otra sección de la pared.

### PLOMERÍA

La plomería puede o no impedirle que tienda tuberías a través de una pared. Si elige una pared de plomería para una ubicación de toma, tenga mucho cuidado cuando haga los recortes en la pared.

### MONTANTES DE PARED

Asegúrese de que su ubicación esté en medio de los montantes de pared. Ubique los montantes golpeando las paredes, buscando tomacorrientes eléctricos (generalmente sujetos a los montantes), o buscando clavos de acabado en las molduras del piso.

## INSTALACIÓN DE LA TUBERÍA DE TOMA

Cuando termine su planificación, tendrá que determinar las ubicaciones de las tomas y de la unidad de potencia. Deberá tener también trazada la ubicación de su línea troncal y localizados los puntos de acceso necesarios para tender la tubería vertical de un nivel de su casa a otro. Deberá estar familiarizado con los métodos para unir tuberías de plástico y con las herramientas necesarias para instalar su Sistema de aspiración central NuTone. Ahora, puede comenzar con la instalación.

El primer paso es instalar la tubería de tomas la cual conecta las tomas de pared a las líneas derivadas. Como se ha explicado antes, las líneas de toma se tienden en el interior de las paredes. Encontrará acceso a estas paredes a través de su ático o sótano. En pocas palabras, lo que debe hacer es encontrar la ubicación exacta en la pared, perforar un agujero de acceso a través de la placa de pared o cabezal, e insertar la tubería en la cavidad de la pared.

Esta parte de su instalación requiere hacer observaciones minuciosas y mediciones cuidadosas. Tómese el tiempo para asegurarse de que alinee con exactitud sus agujeros de acceso con las ubicaciones que ha elegido para sus tomas de pared.

# INSTALACIÓN EN UNA CONSTRUCCIÓN EXISTENTE (CONT.)

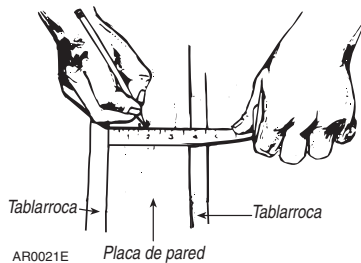
## INSTALACIÓN DE LA TUBERÍA DE TOMA (CONT.)

### UBICACIÓN DE LOS AGUJEROS DE ACCESO DEL ÁTICO

Perfore los agujeros de acceso directamente arriba de la ubicación de la toma. Para ubicar con exactitud el agujero de acceso, primero debe encontrar espacio entre los montantes de pared donde la toma se va a ubicar. Observe el área alrededor de la ubicación de la toma. Busque referencias de lo que puede encontrar en el ático: cableado eléctrico, conductos de ventilación, puertas de paso, etc. Mida y anote la distancia de estas referencias hacia la ubicación de la toma.

Entre al ático y encuentre la pared de la toma. Pida a un ayudante en el piso de abajo que golpetee en la parte superior de la pared justo arriba de la ubicación de la toma; localice el área general siguiendo el sonido. Lo más probable, es que tendrá que despejar el aislante. Pida a su ayudante que continúe golpeteando hasta que localice el área entre los montantes de pared directamente arriba de la ubicación de la toma.

A continuación, mida el espesor de la pared. Marque el centro exacto de la pared donde va a perforar el agujero de acceso. Recuerde que el agujero de acceso debe estar exactamente en el centro de la pared.



### UBICACIÓN DE AGUJEROS DE ACCESO DEL SÓTANO

Para localizar los agujeros de acceso en el sótano, quite la moldura de suelo o zócalo en la base de la pared de toma. Afloje cuidadosamente la moldura o el zócalo insertando la hoja de la espátula por detrás. Meta otra espátula entre la primera espátula y el zócalo o la pared. Golpee ligeramente un cincel entre las dos espátulas, apalancando la moldura



suelta alejándola del zócalo o alejando el zócalo de la pared.

Directamente debajo de la ubicación de la toma, perfore un agujero de referencia de 1/16" a través del piso hacia el sótano. (Si está perforando a través de la alfombra, use un punzón para abrir ligeramente el tejido. De este modo evitará que la alfombra se arrolle alrededor de la broca del taladro). Inserte una pieza de cable desechable o un alambre de gancho de ropa en el agujero de referencia para que pueda encontrar fácilmente el agujero en el sótano.



Una vez que encuentre la ubicación en la pared de partición, debe centrar el agujero de acceso en la mitad de la pared. Mida la mitad del espesor de la pared y marque el centro de la pared donde va a perforar el agujero de acceso. Si no puede ver la placa, puede determinar esta medición desde el piso de arriba. En el paso de puerta más cercano, mida el espesor de la pared, incluido el zócalo.

En el sótano mida una distancia igual a la mitad del espesor de la pared, usando el agujero de referencia como punto de partida.

### PERFORACIÓN DE AGUJEROS DE ACCESO

Una vez que esté seguro de que ha localizado el centro de la pared directamente arriba de la ubicación de la toma, use una: Sierra perforadora de 2 1/2" para cortar el agujero de acceso a través de la placa de pared o cabezal y en la cavidad de la pared. (Se recomienda un taladro de 1/2"). Retire el taladro del agujero cuidadosamente.



Ahora, use una linterna para inspeccionar la cavidad de la pared a través del agujero de acceso. Asegúrese de que no haya obstáculos ocultos que interfieran con la instalación de la tubería. (Si esta inspección revela un obstáculo, encuentra una nueva ubicación de toma). Repita este procedimiento en su ático o sótano hasta que termine de perforar sus agujeros de acceso.



### ENSAMBLE DE LA TUBERÍA DE TOMA

Una vez que ha perforado los agujeros de acceso, ensamble la tubería de toma e insértela en la cavidad de la pared. Consulte "Trabajando con tubería de plástico" en las páginas 37 a 38 antes de comenzar a ensamblar las líneas de toma.

Seleccione una sección de tubería de plástico y una sección de 8" de la tubería de toma flexible. Aplique el pegamento al exterior de la tubería de plástico y al interior de la tubería flexible. Una las dos piezas y deje secar durante 5 minutos.



# INSTALACIÓN EN UNA CONSTRUCCIÓN EXISTENTE (CONT.)

## INSTALACIÓN DE LA TUBERÍA DE TOMA (CONT.)

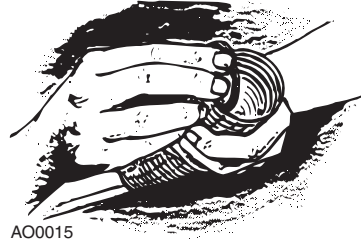
### ENSAMBLE DE LA TUBERÍA DE TOMA (CONT.)

Corte una pieza de cable de bajo voltaje que sea suficientemente largo para la línea de toma completa, dejando 6" para las conexiones a la placa de toma. Asegure del cable a la tubería con cinta eléctrica.



AO0014

Acomode la terminal de cable de 6" dentro de la tubería flexible para que no se enrede en el interior de la pared.



AO0015

Si el espacio lo permite, puede ensamblar la línea de toma entera uniendo dos secciones de tubo con un acople con tope antes de bajar el ensamble por el agujero de acceso. (Recuerde aplicar pegamento únicamente en el exterior de la tubería cuando una las dos piezas de tubo PVC). Muchas veces, los espacios reducidos en el ático requieren que comience su tendido abajo y luego unir la segunda sección de tubería. Por supuesto, el orden del ensamble y la longitud de la tubería requerida dependen del espacio de su ático y de la altura de la pared.



AO0016

Cualquiera que sea el caso, inserte la línea de toma completa en el agujero de acceso y ensarte en el interior de la pared. La línea de toma debe ser suficientemente larga para que se extienda por arriba de las vigas en el ático; a esta altura, puede conectarse fácilmente a la línea derivada y a la línea troncal. Cuando corte la tubería de toma a una longitud, recuerde que su toma será colocada a 18" por arriba del suelo.



AO0017

Para una instalación en sótano, ensamble la tubería en la tubería flexible de la toma en la misma manera e insértela en el agujero de acceso. Una línea de toma del sótano es necesariamente más corta porque debe llegar únicamente a 18" del suelo a la toma. La mayoría de las veces, las líneas de toma del sótano son más fáciles de instalar por dos personas después de haber recortado el agujero de toma en la pared interior. Consulte "Instalación de toma de pared".



AO0018

Termine todas sus líneas de toma y luego proceda con sus instalaciones de toma.

## INSTALACIÓN DE LA TOMA DE PARED

El diseño de la toma de pared permite que trabaje por fuera de la pared donde se ensambla fácilmente y todas las piezas que necesita están accesibles. Primero, haga un recorte en la pared y localice la tubería flexible acoplada a la línea de toma que ensartó previamente en la pared. A continuación, fije la tubería flexible a la placa de montaje de toma, ensamble las otras piezas de la toma y haga las conexiones del cableado. Coloque el ensamble de la toma en el recorte de la pared, metiendo la pared entre las piezas interiores y exteriores, y fije la toma firmemente a la pared con dos tornillos.

Ensamble e instale la toma de pared como se muestra en las ilustraciones y como se explica en las siguientes páginas. Tenga cuidado y paciencia mientras hace su primer recorte e instale su primera toma siguiendo el procedimiento paso por paso, las demás tomas serán fáciles de instalar en muy poco tiempo.

### HACER EL RECORTE PARA LA TOMA DE PARED

La toma de pared debe ubicarse a 18" centrada desde el suelo y directamente en línea con el agujero de tubería de toma del ático o sótano que haya perforado en la placa de pared o cabezal. El recorte para la toma de pared debe ser exactamente de 3 7/8" de altura por 2 7/8" de ancho. Es muy importante que haga un recorte exacto y le hemos suministrado una



AR0026

# INSTALACIÓN EN UNA CONSTRUCCIÓN EXISTENTE (CONT.)

## INSTALACIÓN DE TOMA DE PARED (CONT.)

### HACER EL RECORTE PARA LA TOMA DE PARED (CONT.)

Coloque la plantilla contra la pared de modo que quede a 18" centrada desde el suelo. Use un nivel a lo largo del borde superior de la plantilla para asegurarse de que quede cuadrada en la pared. Marque su pared para el recorte trazando alrededor del interior de la plantilla. Luego use un lápiz para marcar las ubicaciones de los agujeros de tornillos a través de las perforaciones en las partes superior e inferior de la plantilla. Retire la plantilla de la pared.



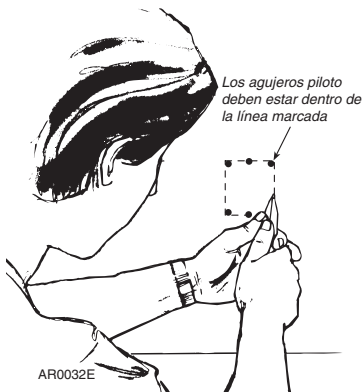
AR0027

Use un punzón o pica-hielo para perforar los agujeros piloto donde marcó las dos ubicaciones de agujeros. Ahora, perforo dos agujeros de 3/8" de diámetro, usando los agujeros piloto como centros. Localice y perforo estos agujeros exactamente como se marcaron con la plantilla.



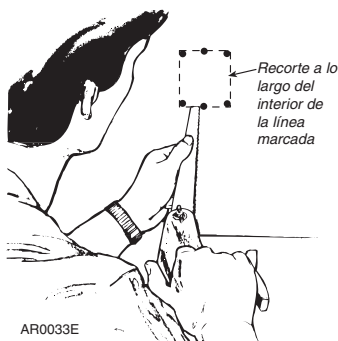
AR0028E

También perforo cuatro agujeros piloto en las cuatro esquinas del área marcada. Asegúrese de que estos agujeros estén ubicados en el interior de la línea marcada. Luego, usando una navaja de servicio, corte a lo largo del interior de la línea marcada. Para las paredes de yeso, corte el yeso profundamente, teniendo cuidado de mantenerse dentro de la línea marcada.



AR0032E

A continuación, use una sierra perforadora o sierra sable para hacer el recorte. Nuevamente, tenga mucho cuidado de cortar a lo largo del interior de la línea marcada.



AR0033E

### PRECAUCIÓN

**Cuando corte paredes de yeso, asegúrese de que el yeso esté firme y asegurado alrededor del área de recorte.**

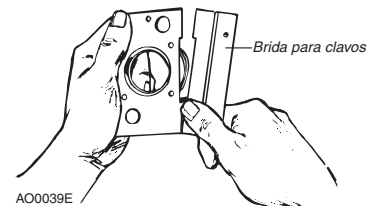
## FIJACIÓN DE LA PLACA DE MONTAJE DE TOMA

A través del agujero de la toma localice la tubería de toma. Levántela por dentro de la pared hasta que ubique la tubería de toma. Si la toma está conectada desde el sótano, pida a un ayudante que inserte la tubería de toma por el agujero de acceso hasta que usted pueda ver la tubería flexible. Luego, jale la tubería flexible a través del agujero de la toma y quite el cableado de bajo voltaje del interior del tubo. Si el extremo de la tubería flexible no está parejo, recorte para que quede exactamente parejo.



AO0038

Ahora, quite la brida para clavar (usada para la construcción nueva) de la placa de montaje de toma. Use unas pinzas para doblar esta brida a lo largo de las líneas punteadas hasta que pueda desprenderla.



AO0039E

Aplique pegamento al interior de la tubería flexible y al exterior del anillo de tubo de la placa de montaje. Inserte el anillo de tubo de la placa de montaje en la tubería flexible y gire las piezas mientras las une para esparcir el pegamento y alinee la placa de montaje en posición vertical.



AO0040

Sostenga el ensamble en su lugar durante unos minutos para que el pegamento se asiente; deje secar completamente el pegamento durante 5 minutos.

Ahora, pele los extremos de los dos cables de bajo voltaje, y luego conecte los cables a las terminales de tornillo en la parte posterior de la tapa de la toma. Asegúrese de que los cables queden firmemente sujetos debajo de los tornillos de terminales.



AO0041



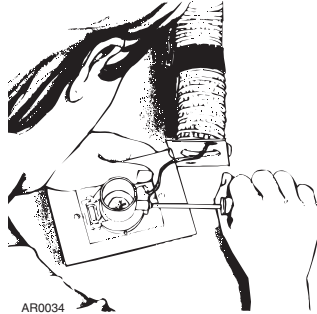
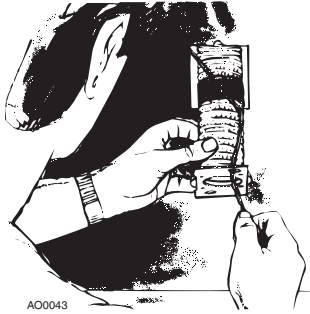
AO0042

# INSTALACIÓN EN UNA CONSTRUCCIÓN EXISTENTE (CONT.)

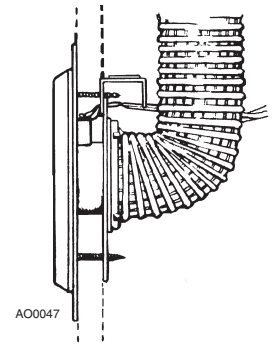
## INSTALACIÓN DE TOMA DE PARED (CONT.)

### FIJACIÓN DE LA PLACA DE MONTAJE DE TOMA (CONT.)

Cuando termine el cableado, ensamble la tapa de toma al protector de tubo y la placa de montaje. Inserte el tornillo superior a través del ensamble de toma entero hasta que el tornillo enganche la placa de montaje.

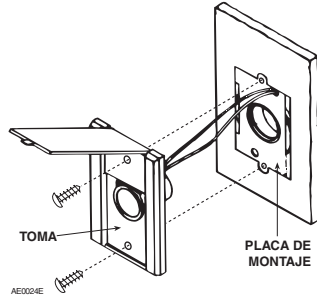


Inserte el tornillo inferior en la tapa de toma y a través de las otras piezas. Gire el tornillo unas cuantas vueltas hasta que enganche firmemente en la placa de montaje. Ahora, nivele y baje ligeramente el ensamble. Asegúrese de que la pared quede en medio entre las piezas interiores y exteriores, podrá sentir si la placa de montaje está firmemente centrada en el interior de la pared.

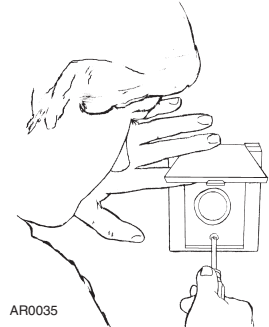


### TERMINACIÓN DEL ENSAMBLE DE TOMA

Una vez que haya fijado la placa de montaje a la tubería flexible, jale el cable de bajo voltaje a través del agujero de cableado superior en la placa de montaje.



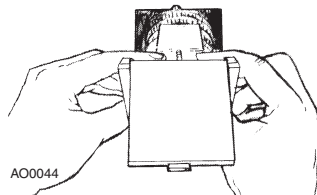
Sostenga la toma en su lugar y apriete gradualmente cada tornillo un poco a la vez.. (Si aprieta completamente un tornillo a la vez, la placa de montaje puede separarse de la pared en el extremo suelto y deslizarse de nuevo por el recorte).



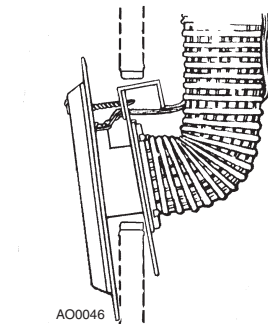
Termine todas las instalaciones de toma de pared de esta manera. Si sus recortes son exactos, cada toma de pared se instalará más rápido y fácilmente.

### INSTALACIÓN DE LA TOMA

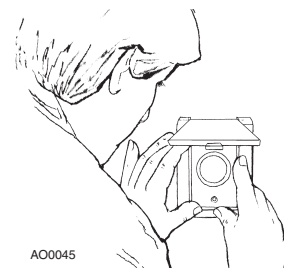
Cuando coloque la toma en el recorte de la pared, la placa de montaje y el protector de tubo se deslizan en el interior de la pared; la tapa de montaje permanece por fuera.



Sujetando el ensamble de toma entre sus dedos pulgar e índice, incline la parte inferior de la placa de montaje hacia el recorte. Empuje el ensamble hacia abajo hasta que tenga un espacio libre en la parte superior del recorte.



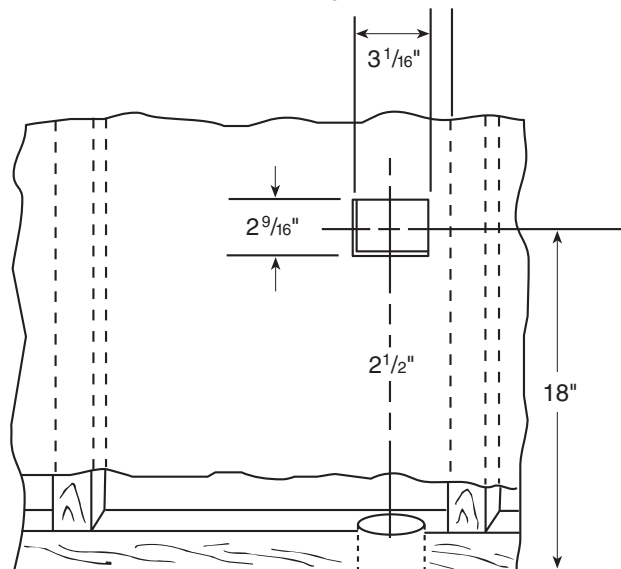
Empuje la parte superior de la placa de montaje en el recorte y levante el ensamble hacia arriba hasta que el tornillo superior asiente en el agujero perforado previamente. En este punto, la pared debe quedar en medio de la placa de montaje y el marco.



## TOMAS SERIE 360 (INSTALACIÓN OCULTA CF361 O CF361F)

**NOTA:** Si está usando la toma de pared 330, consulte Toma de pared modelo 330 en la siguiente página.

- 1 Si el área está despejada, recorte una abertura para la toma en la pared a aproximadamente 18" por arriba del suelo. Asegúrese de que la abertura y el agujero para tubo de 2½" estén alineados (ver figura a continuación).

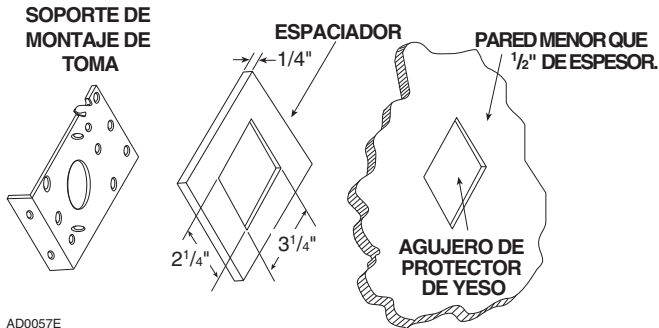


AD0062

# INSTALACIÓN EN UNA CONSTRUCCIÓN EXISTENTE (CONT.)

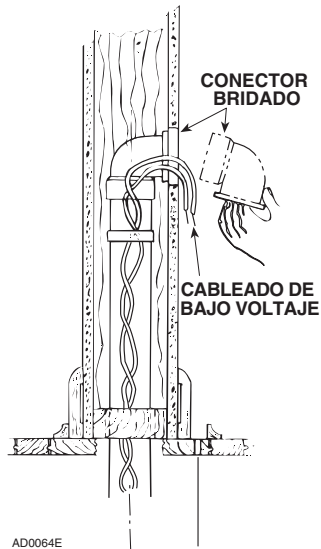
## TOMAS SERIE 360 (INSTALACIÓN OCULTA CF361 O CF361F) (CONT.)

**NOTA:** Si la pared para montar la toma modelo 360 es menor que 1/2", debe usar un espaciador. Consulte la figura a continuación como guía.



AD0057E

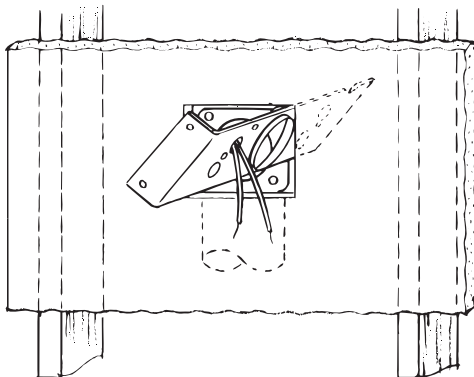
- Recorte un tramo de tubo que se extenderá desde la abertura de la toma hasta el punto debajo del nivel del suelo (o por arriba del nivel del cielo para la instalación en ático). Encinte el cable de bajo voltaje al tubo e inserte el tubo a través del agujero perforado a un nivel opuesto a la abertura de la pared.



AD0064E

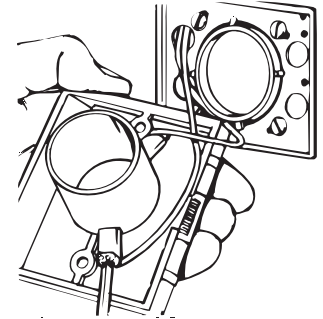
- Aplice pegamento al tubo e instale el conector bridado de pared. Asegúrese de que el conector quede bien asentado y sellado (ver figura de la derecha).

- Quite el marco protector de yeso del soporte de montaje. Jale el cable de bajo voltaje por el agujero en el soporte e inserte el soporte en el recorte. Fije el soporte al conector bridado con los 4 tornillos suministrados. Asegúrese de que el sello esté fijado entre el conector bridado y el soporte de montaje (ver figura a continuación).



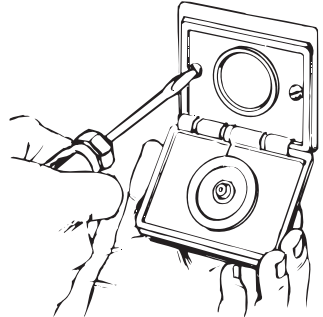
AD0063

- Conecte los cables de bajo voltaje a los tornillos de terminales en la parte posterior de la toma de pared (ver figura de la derecha). Si está usando instalación oculta 361 con tomas serie CI370, siga las instrucciones en la página 7, paso 3, mostrado en su figura.



A00071

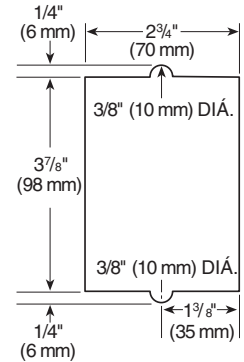
- Inserte la toma de pared en el soporte y fije con los dos tornillos suministrados (ver figura de la derecha).



AR0047

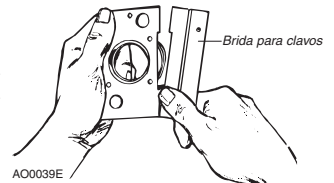
## MODELO SERIE 330 INSTALACIÓN DE TOMA DE PARED (INSTALACIÓN OCULTA CF329)

- Haga el recorte de acuerdo con las dimensiones en la figura de la derecha.



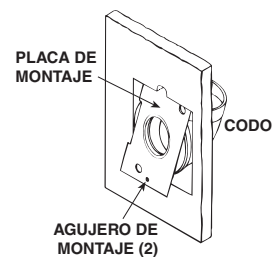
AD0020E

- Consulte la figura de la derecha. Desprenda la placa para clavos en la línea punteada.



A00039E

- Consulte la figura de la derecha. Pegue el codo a la placa de montaje, coloque el ensamble en el recorte, y fije el codo a la tubería en el interior de la pared.



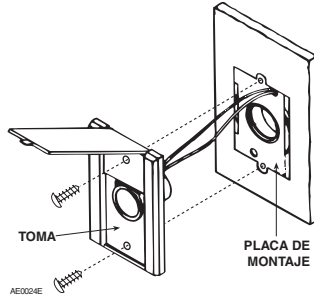
AD0021E

# INSTALACIÓN EN UNA CONSTRUCCIÓN EXISTENTE (CONT.)

## MODELO SERIE 330 INSTALACIÓN DE TOMA DE PARED (INSTALACIÓN OCULTA CF329) (CONT.)

- Asegúrese de que los agujeros de montaje estén exactamente en las partes superior e inferior.
- Conecte el cable de 2 conductores de bajo voltaje a los tornillos de terminales en la parte posterior de la toma de pared.

- Consulte la figura de la derecha. Alinee los agujeros de montaje de toma con los agujeros de la placa de montaje, coloque la toma en la placa de montaje y fije con los tornillos suministrados.

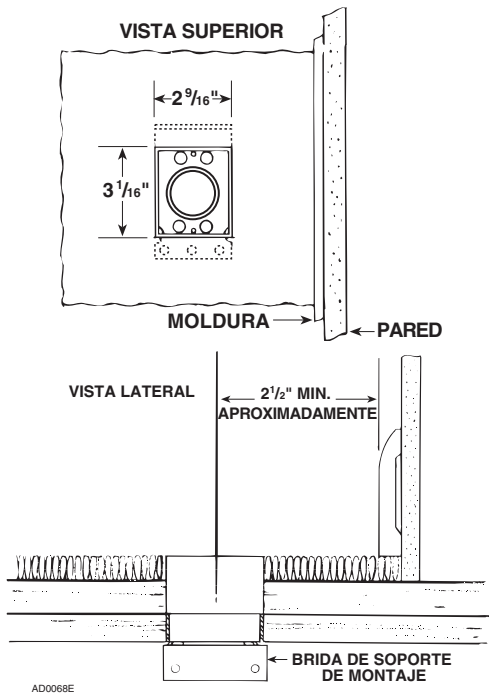


**NOTA:** Si se usa el codo de radio más corto CF382S, puede ser necesario usar el tornillo corto de montaje para evitar interferencia con el codo.

## INSTALACIÓN DE TOMA DE PISO EN CONSTRUCCIÓN NUEVA Y EXISTENTE

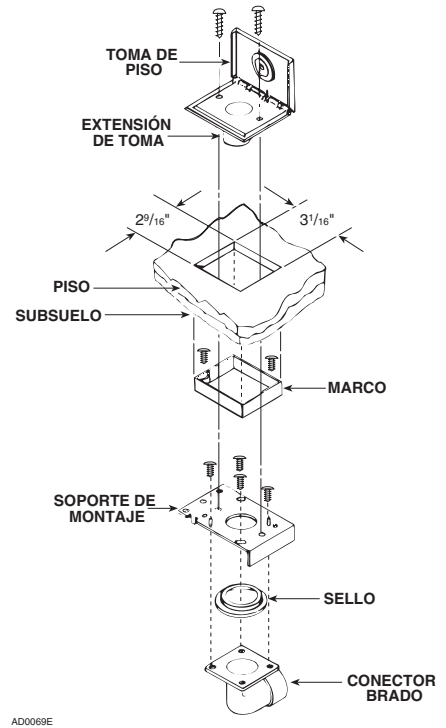
### TOMAS MODELO SERIE 360 (INSTALACIÓN OCULTA 361)

- Consulte ambas figuras a continuación. Después de que ha seleccionado la ubicación de la toma de piso, recorte un agujero cuadrado de  $3 \frac{1}{16}''$  x  $2 \frac{9}{16}''$  en el piso. La línea central de la toma debe estar ubicada a un mínimo de  $2 \frac{1}{2}''$  de la pared para permitir que la tapa se abra cuando se inserte la manguera.

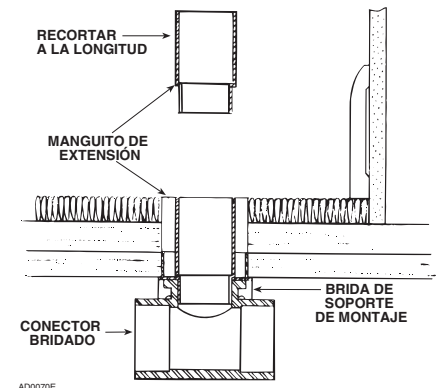


- Determine la dirección de la tubería y acople el conector bridado adecuado al soporte de montaje con los cuatro (4) tornillos suministrados. Asegúrese de que la brida del soporte de montaje no interfiera con la tubería y que el sello esté puesto firmemente en su lugar.

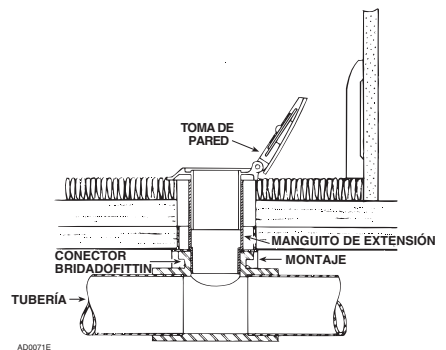
- Consulte la figura de la derecha. Coloque el soporte con el marco y el conector bridado en el recorte desde abajo y fije al subsuelo.



- Consulte la figura de la derecha. El extremo grande del manguito de extensión del modelo 399 debe recortarse a una longitud para permitir un sellado adecuado de la toma contra el piso o la alfombra.



- Consulte la figura de la derecha. Jale el cable de 2 conductores de bajo voltaje a través del soporte de montaje y fije a los tornillos de las terminales en la parte posterior de la toma de piso. Pegue el manguito de extensión a la toma modelo 360. Inserte el manguito de extensión a través del empaque de vinilo en el soporte de montaje y asiente firmemente en el conector bridado.



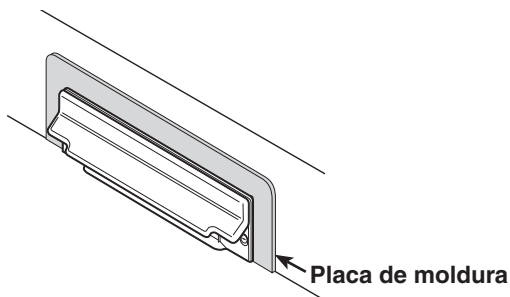
- Para facilitar la operación, la toma de piso debe ser instalada con la parte posterior abierta hacia la pared.
- Consulte la figura del paso 5. Fije la toma de piso con dos tornillos.



# CI377W CANSWEEP® INSTALACIÓN DEBAJO DEL GABINETE

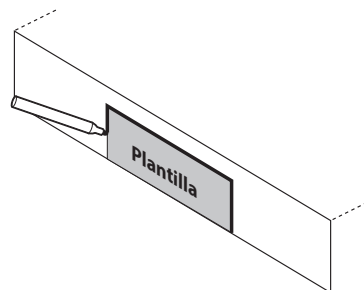


Si por casualidad se cortó la abertura demasiado grande, se tiene disponible una placa de moldura (número de pieza CI376W) para suministrar una cubierta perfecta.



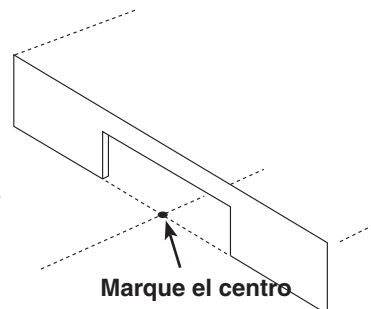
**1**

Alinee la plantilla (corte de esta hoja de instrucciones) sobre la placa protectora en la ubicación deseada, y trace el perfil del área.



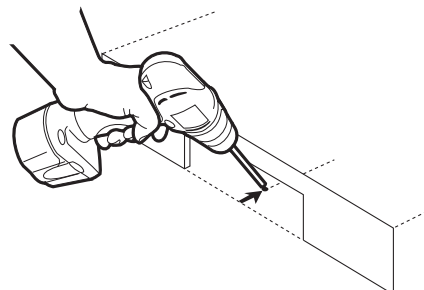
**2**

Corte la abertura deseada y marque discretamente el centro de la abertura en el piso.



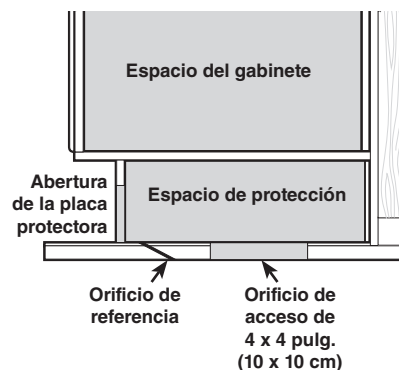
**3**

Perfore un pequeño orificio de referencia a lo largo de la línea central, detrás de la placa protectora, a través del contrapiso.



**4**

Localice el orificio de referencia desde debajo del contrapiso. Corte un orificio de acceso de 4 x 4 pulg. (10 x 10 cm) en la posición que eligió, a lo largo de la línea central debajo del espacio de protección.



# CI377W CANSWEEP® INSTALACIÓN DEBAJO DEL GABINETE (CONT'D)

**5**

Fig. A

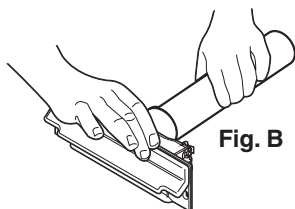
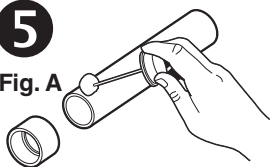


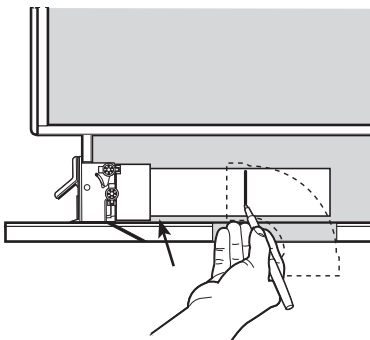
Fig. B

Suelde con solvente un acoplamiento a una pieza de tubo de vacío central de 2 pulg. (5 cm), lo suficiente larga como para alcanzar el orificio de acceso de 4 x 4 pulg. (10 x 10 cm) desde la abertura en la placa protectora (Fig. A).

Ajuste con fricción el otro extremo del acoplamiento al CanSweep® hasta que esté seguro. No use pegamento, ajuste solo con fricción (Fig. B).

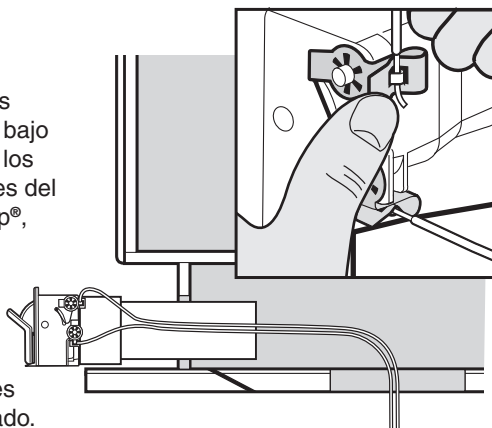
**6**

Inserte el CanSweep®/tubo en la abertura de la placa protectora. Use una unión en codo con un barrido de 90° para determinar una marca de corte en el otro extremo del tubo. Luego corte el tubo en la marca.



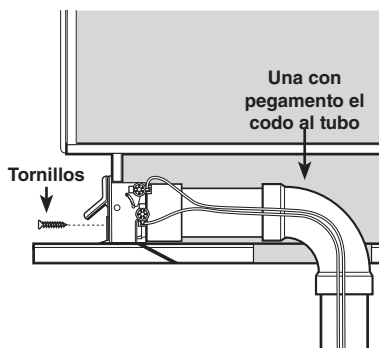
**7**

Deslice los cables de bajo voltaje en los sujetadores del CanSweep®, como se muestra, para completar las conexiones del cableado.



**8**

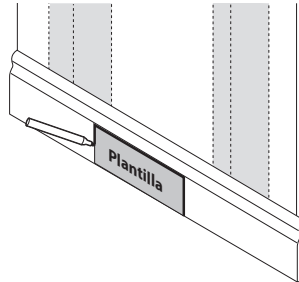
Deslice el CanSweep®/tubo y los cables de bajo voltaje en la abertura de la placa protectora. Una con pegamento el codo al tubo para asegurarlo al sistema de tubería y luego asegure el CanSweep® a la placa protectora con los 2 tornillos suministrados.



# CI377W CANSWEEP® INSTALACIÓN EN LA PARED CON ZÓCALO

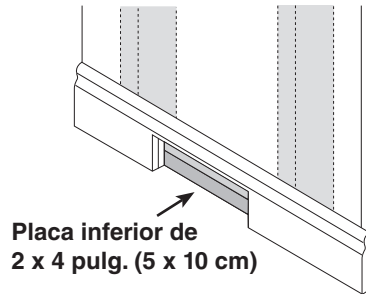
**1**

Elija la posición deseada en el zócalo **entre dos paralelos**. Coloque la plantilla (corte de esta hoja de instrucciones) en la ubicación deseada, y trace el perfil del área.



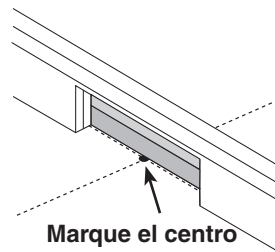
**2**

Recorte la abertura en el zócalo y a través del panel de yeso hasta llegar a la placa de pared inferior de 2 x 4 pulg. (5 x 10 cm).



**3**

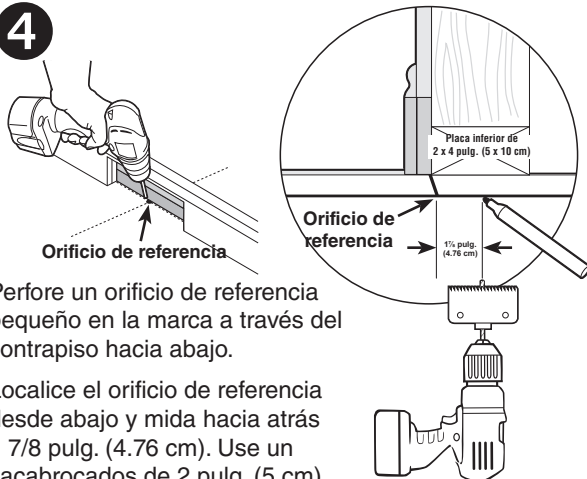
Contra el borde de la placa inferior de 2 x 4 pulg. (5 x 10 cm), marque el centro de la abertura.



**4**

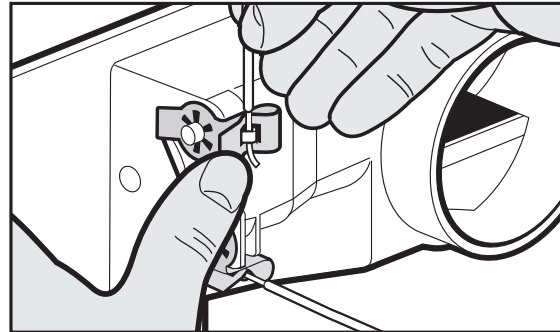
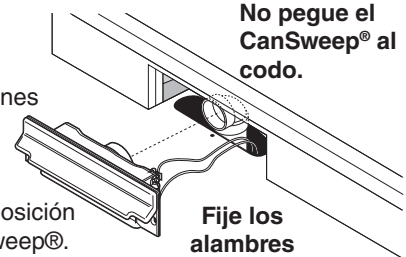
Perfore un orificio de referencia pequeño en la marca a través del contrapiso hacia abajo.

Localice el orificio de referencia desde abajo y mida hacia atrás 1 7/8 pulg. (4.76 cm). Use un sacabrocados de 2 pulg. (5 cm) para quitar la sección de la placa inferior de 2 x 4 pulg. (5 x 10 cm) detrás de la abertura.



**5**

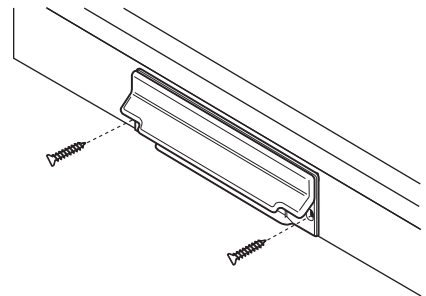
Haga las conexiones de tubería según se requieran y deje listo el codo corto de 90° en posición detrás del CanSweep®. Asegúrese de que la abertura del codo se sujetará con firmeza en la espiga de la parte posterior del CanSweep® cuando sea el momento de la conexión.



Deslice los cables de bajo voltaje en los sujetadores del CanSweep®, como se muestra, para completar las conexiones del cableado.

**6**

Deslice el CanSweep®/ tubo y los cables de bajo voltaje en la abertura del zócalo. Ajuste con fricción la espiga del CanSweep® en el codo. Asegure el CanSweep® al zócalo con los 2 tornillos suministrados.



# ENSAMBLE DEL SISTEMA DE TUBERÍA

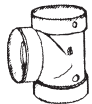
Una vez que ha instalado todas sus tomas, puede terminar la red de tubería que conecta sus tomas a la unidad de potencia. Esta red consta de las siguientes piezas:



**Codos de 90°** – Usados para conectar las líneas de toma a las líneas derivadas. También se usa para hacer vueltas suaves de 90° en las líneas derivadas o líneas troncales.



**Codos de 45°** – Usados para vueltas de tubo de 45° en líneas derivadas o troncales.



**T de 90°** – Usadas para conectar líneas derivadas a las líneas troncales.



**Acoples de tope** – Usados para unir dos tramos de tubería.



**Tubería flexible** – Usada para rodear obstáculos o hacer vueltas en S difíciles en las líneas derivadas. Esta tubería no es la misma que la tubería flexible de toma.



**Tubería de PVC** – Secciones rectas de 8' de tubería para tomas, líneas derivadas y troncales.

AA0012

Use la tubería y los conectores para tender líneas troncales desde la tubería de la toma hacia la línea troncal principal. Comience en la toma más alejada de la unidad de potencia y trabaje hacia la unidad de potencia. Cuando ensamble secciones con codos y conectores T, asegúrese de que la curva de conector esté alineada de modo que el aire fluya hacia la unidad de potencia.

Ensamble la red entera de tubería y conectores, asegurándose de que cada unión esté cortada y alineada correctamente. Luego, regrese y pegue todas las uniones. Puede tender el cableado y hacer las conexiones de cableado después de que la red ha sido ensamblada y pegada, o puede hacer las conexiones de cable mientras ensambla la red. Use el método que sea más adecuado a sus necesidades.

## COMIENZO DE LA LÍNEA TRONCAL

Comience la línea de toma que esté más alejada de la unidad de potencia. Ponga el codo de 90° en la sección de tubería alineado con la tubería de la toma a la altura en que se extenderá a través de las vigas del ático. Marque la tubería de toma donde el codo se va a unir, dejando 5/8" para la tubería que se inserta en el collarín del conector.



AO0049

Ahora, corte la tubería de toma en la línea marcada. Asegúrese de que el corte sea recto y parejo. Acople el codo y revise su ajuste. Luego, inserte la primera sección de tubería en el otro extremo del codo.



AO0050



AO0051



AO0052

## UNIÓN DE TRAMOS RECTOS DE TUBERÍA

Ambas líneas derivadas y troncales pueden requerir tramos de tubería más largos que las secciones de 8' suministradas. Use acoples con tope para unir dos tramos rectos de tubería. Inserte un extremo de la tubería en el acople con tope; una el segundo tramo de tubería en el otro extremo del acople con tope. Los acoples con tope también se usan para unir largas líneas derivadas verticales que se tienden desde un nivel a otro de la casa.



AO0053

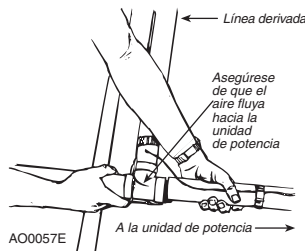


AO0054

# ENSAMBLE DEL SISTEMA DE TUBERÍA (CONT.)

## CONEXIÓN DE UNA LÍNEA DERIVADA

Una línea derivada conecta a la línea de toma a la línea troncal. Siga los métodos antes descritos para alinear, marcar y cortar la tubería de toma. Acople un codo de 90° y tienda la tubería desde la línea de toma hacia la línea troncal.

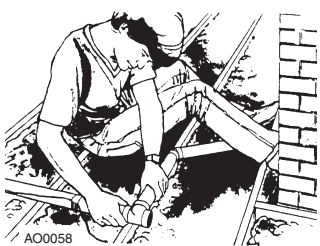


Para alinear y medir la línea derivada, acople un conector T de 90° a la línea troncal. Asegúrese de que el conector T se conecte con el flujo de aire que va hacia la unidad de potencia. Alinee, mida y marque la línea derivada para insertarla en el conector T. Luego, corte la línea derivada a la longitud deseada e insértela en el conector T. Verifique para asegurar que el corte sea recto y parejo. Conecte la siguiente sección de tubería al lado de salida del conector T. Continúe con la línea troncal hasta que llegue a otro punto de unión de línea derivada.

## RODEAR OBSTÁCULOS

Donde sea posible las líneas derivadas deben conectarse a la línea troncal en caminos rectos. Entre menos vueltas haya en un sistema de tubería, más eficiente será el flujo de aire. De acuerdo a esto, debe ubicar las tomas de modo que evite zigzag en las líneas troncales. Pero, en ocasiones, cuando no puede evitar un obstáculo, necesita construir la tubería alrededor del obstáculo.

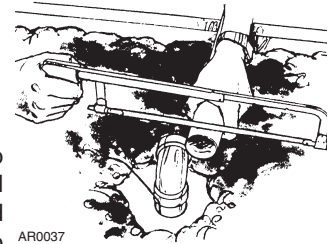
En el ejemplo aquí ilustrado, puede tender la línea derivada en un ángulo para rodear una chimenea. Entonces, una vez que la línea derivada se tiende pasando la chimenea, puede usar un codo de 45° para dar vuelta a la línea derivada de nuevo perpendicular a la línea troncal. Nuevamente, la línea derivada y la línea troncal se conectan con un conector T de 90°.



También puede usar una pieza de tubería flexible para tender una línea derivada alrededor de un obstáculo. Consulte "Uso de tubería flexible," en la siguiente página.

## TERMINACIÓN DE LA LÍNEA TRONCAL

Continúe tendiendo la línea troncal hacia la unidad de potencia, conectando todas las líneas derivadas mientras avanza. Nuevamente, asegúrese de que conecte todos los conectores con el flujo de aire hacia la unidad de potencia.



Lleve la línea troncal al agujero de acceso que perforó para el tubo de entrada de la unidad de potencia. Ponga un codo de 90° en el agujero y corte la línea troncal para que se ajuste a este codo final. Deje 5/8" de tubería para ajustarse en el collarín del codo. Conecte el codo a la línea troncal de modo que se alinee sobre el agujero de acceso de entrada. Hará la conexión del tubo de entrada después de haber instalado la unidad de potencia.



Cuando esté satisfecho de que todos los conectores y tuberías están alineados para un máximo flujo de aire, asegúrese de que todos sus cortes estén cuadrados y que todas las uniones estén firmes. Luego, prepare la tubería y pegue las uniones como se indica en "Trabajando con tubería de plástico," página 5.

## CONEXIÓN DEL CABLEADO DE BAJO VOLTAJE

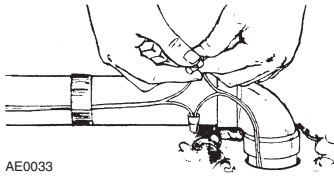
Idealmente, tenderá el cableado y hará todas las conexiones de cableado después de haber terminado el sistema de tubería. Por supuesto, el cableado de toma debe tenderse al momento en que la tubería de toma se ensarta a través de las paredes.

Tienda el cableado de bajo voltaje a lo largo de la línea troncal; en intervalos de aproximadamente 12" a 18", use cinta eléctrica aislante para asegurar el cable a la tubería. Luego, tienda el cableado a lo largo de las líneas derivadas desde las líneas de toma hacia la tubería troncal. También asegure este cableado con cinta eléctrica.

# ENSAMBLE DEL SISTEMA DE TUBERÍA (CONT.)

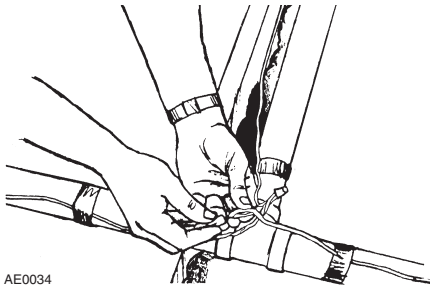
## CONEXIÓN DEL CABLEADO DE BAJO VOLTAJE (CONT.)

En la unión de la línea de toma y la línea derivada, haga una conexión de dos cables. Use tuercas de cable para hacer las conexiones y aisle cada conexión con cinta eléctrica.



AE0033

En la unión de cada línea derivada y la línea troncal, corte el cable de la línea troncal y conéctelo al cable de la línea derivada. Conecte este cableado en grupos de tres, un cable de línea derivada, un cable de entrada de línea troncal y un cable de salida de línea troncal. Aísle todas las conexiones de cable con cinta eléctrica.



AE0034

Termine todas las conexiones de cableado hasta el agujero de acceso de entrada de la unidad de potencia. Hará esta conexión cuando monte y conecte la unidad de potencia. Si, por alguna razón, desea conectar el cable mientras avanza, haga las mismas conexiones de dos y tres cables donde sea requerido.

## ENSAMBLE DE UNA LÍNEA TRONCAL EN SÓTANO

Básicamente, la red de tubería se ensambla de la misma manera que para una instalación en sótano. Comience la línea troncal en la línea de toma más alejada de la unidad de potencia. Mida y corte la tubería de toma a la longitud requerida para alinear la línea troncal con las vigas o cielo. Pegue la tubería de toma y conecte en el codo de 90°. Luego, tienda la línea troncal hasta que llegue a un punto de unión de línea derivada.



AR0038



AO0062



AO0063

Fije la tubería a las vigas o cielo con correas de soporte o metal perforado (las correas de soporte están disponibles con NuTone).



AR0039

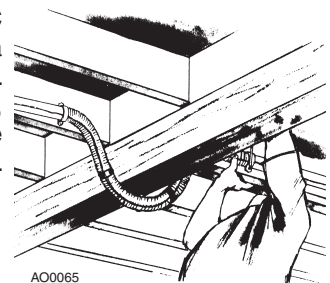
Haga todas las conexiones de línea derivada en la misma manera en que lo haría con una instalación en ático. Asegúrese de que todas las líneas derivadas entren a la línea troncal a un ángulo que al menos esté nivelado con la línea troncal. Asegúrese de que todos los conectores estén orientados de modo que el aire fluya hacia la unidad de potencia. Termine la línea troncal a la ubicación de la unidad de potencia.

## USO DE TUBERÍA FLEXIBLE (MODELO CF367)

La tubería flexible puede ser usada para rodear un obstáculo o hacer una vuelta complicada. En el ejemplo aquí ilustrado, la tubería flexible se usa para poder tender una línea derivada debajo de una viga de soporte. Acople esta tubería a la tubería PVC, pegando únicamente el exterior de la tubería PVC como lo haría para una conexión de conector duro. Cuando use la tubería flexible, debe sujetar ambos extremos de la misma con correas de soporte.



AO0064



AO0065

# INSTALACIÓN DE LA UNIDAD DE POTENCIA

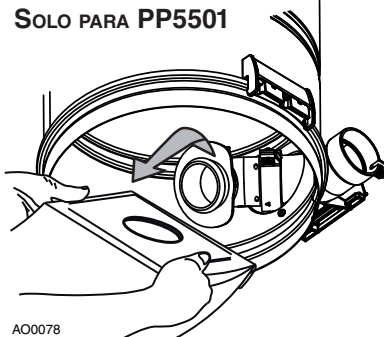
## CAMBIO DE DIRECCIÓN DE LA LÍNEA DE ENTRADA

La línea de entrada se conecta al lado derecho de la unidad. No obstante, es posible cambiar esta configuración; para conectar la línea de entrada al lado izquierdo de la unidad, siga estos pasos:

- 1 Quite la bandeja de desechos de la unidad de potencia liberando ambos seguros en los lados de la unidad, jalando hacia afuera y luego empujando. Quite la bandeja de la unidad.

SOLO PARA PP5501

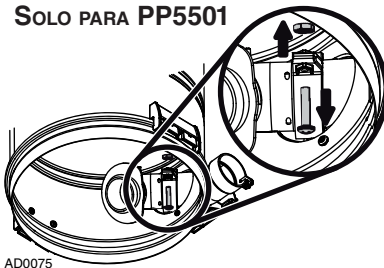
**Solo para PP5501:** Agarre los bordes del collarín de bolsa y jale hacia abajo; la bolsa debe deslizarse y salir fácilmente. **No jale agarrando la bolsa.** Ponga la bolsa en un lado.



AO0078

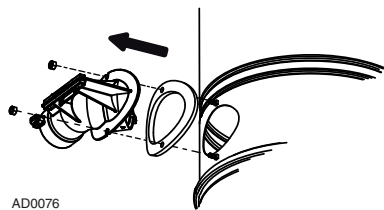
- 2 **Solo para PP5501:** Con un desarmador Phillips número 2, quite el tornillo que aprieta el adaptador para bolsa y la unión de codo de entrada. Desensamble el adaptador para bolsa del codo de entrada y póngalo en un lado con su tornillo y tuerca.

SOLO PARA PP5501



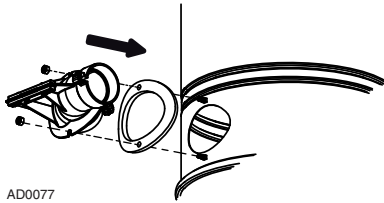
AD0075

- 3 **Para todas las unidades:** Desensamble el codo de entrada de la parte posterior de la unidad usando un dado de 3/8" para quitar ambas tuercas y tornillos de fijación.



AD0076

- 4 **Para todas las unidades:** Voltee el codo de entrada 180°, luego vuelva a ensamblarlo en la unidad, teniendo cuidado de mantener su empaque en su posición original.

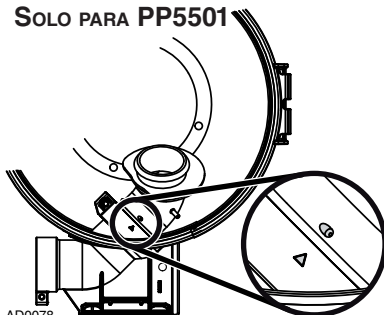


AD0077

NOTA: Asegúrese de que el empaque no esté doblado para evitar falla de aspiración y ruido.

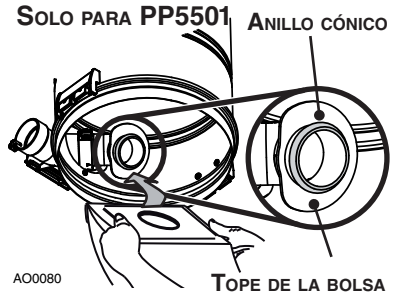
SOLO PARA PP5501

- 5 **Solo para PP5501:** ponga de nuevo en su lugar el adaptador para bolsa en el codo de entrada. Alinee el triángulo con el esparrago pequeño inclinado, luego apriete la unión usando el tornillo y la tuerca quitados antes en 2.



AD0078

- 6 **Solo para PP5501:** Ponga de nuevo en su lugar la bolsa agarrándola por los bordes de su collarín e inserte sobre el adaptador para bolsa. Tenga cuidado de no romper la bolsa. Asegúrese de que el collarín esté colocado entre el anillo cónico y el tope de bolsa en el adaptador para bolsa.



AO0080

- 7 **Para todas las unidades:** Ponga la bandeja de desechos nuevamente en su lugar.

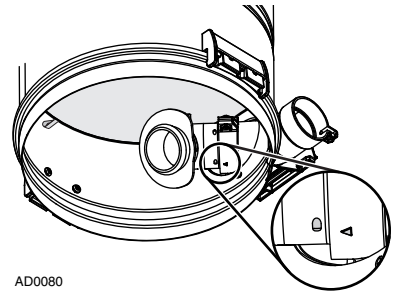
## CONVERSIÓN DE LA UNIDAD DE POTENCIA DE OPERACIÓN CICLÓNICA A SISTEMA EMBOLSADO (INCLUIDA LA BOLSA DE DESECHOS)

Ambas unidades PP6501 y PP7001 se envían de fábrica listas para usarse en modo ciclónico, pero debido a que su diseño es híbrido, también pueden ser operadas con una bolsa desechable (391). El adaptador para bolsa (incluido con la unidad) debe ser instalado si se va a usar la bolsa desechable. Siga estos pasos:

NOTA: No quite el filtro ciclónico.

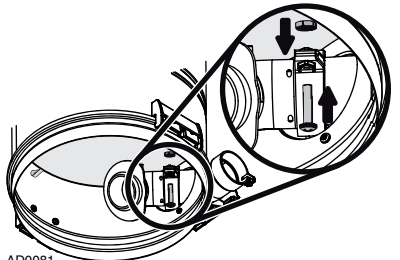
- 1 Quite la bandeja de la unidad liberando ambos seguros laterales, jalando hacia afuera y luego empujándolos. Quite la bandeja de la unidad.

- 2 Ensamble el adaptado para bolsa al codo de entrada. Alinee el triángulo con el esparrago pequeño inclinado.



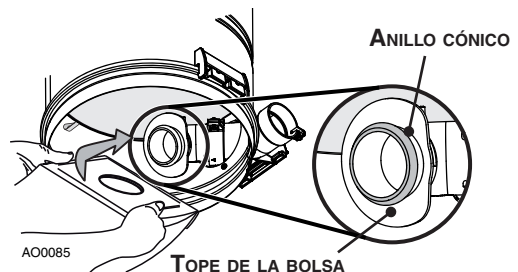
AD0080

- 3 Apriete la unión usando el tornillo y tuerca (incluidos en la bolsa de piezas).



AD0081

- 4 Desdoble la bolsa desechable y agárrela por su collarín donde se indica. Inserte sobre el adaptador para bolsa. Tenga cuidado de no romper la bolsa. Asegúrese de que el collarín esté colocado entre el anillo cónico y el tope de bolsa en el adaptador para bolsa (ver la ilustración a continuación). Ponga la bandeja nuevamente en su lugar.



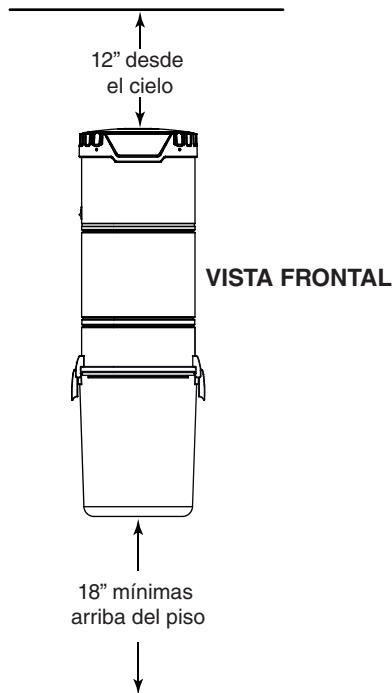
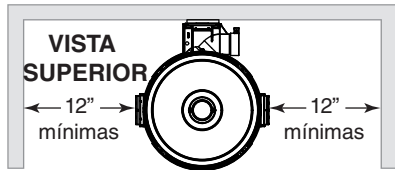
AO0085

# INSTALACIÓN DE LA UNIDAD DE POTENCIA (CONT.)

## MONTAJE DE LA UNIDAD DE POTENCIA

- 1 Quite cuidadosamente la bandeja de desechos de la unidad de potencia. Asegúrese de que la bolsa esté instalada correctamente en la unidad de potencia (si es necesario). Quite el juego de instalación y reinstale firmemente la bandeja de desechos.
- 2 Consulte la ilustración a continuación para mantener las dimensiones mínimas de espacio libre de paredes y suelo.

### DIMENSIONES MÍNIMAS DE ESPACIO LIBRE

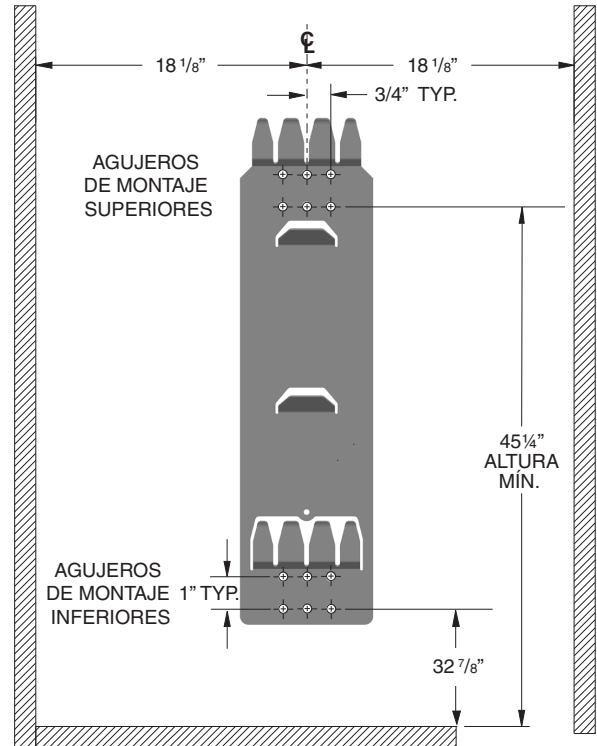


AD0039E

- 3 Coloque e instale el soporte de montaje en pared con los tornillos suministrados. Consulte la ilustración de la derecha para las dimensiones de montaje correctas.

### PRECAUCIÓN

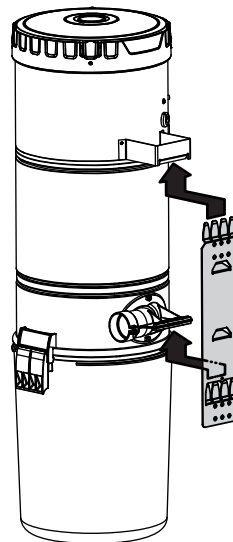
Asegúrese de atornillar el soporte de montaje en pared directamente a un montante de pared para obtener una instalación sólida.



AD0079E

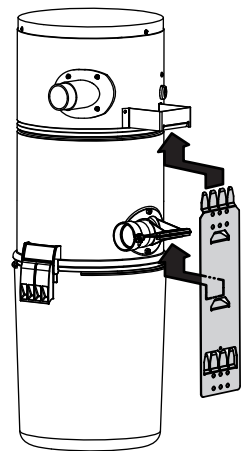
- 4 Use los tornillos de montaje proporcionados para sujetar el soporte de montaje en la pared a través de los agujeros de montaje superiores e inferiores.
- 5 Cuelgue la unidad de potencia en el soporte de montaje en pared. Asegúrese de que los soportes traseros de la unidad de potencia estén enganchados con los dedos del soporte de pared correspondientes (o con los dedos superiores y la lengüeta inferior para el modelo PP5501; consulte la figura a continuación). Jale la unidad de potencia hacia abajo para fijarla.

### PP6501 Y PP7001



AD0074

### PP5501



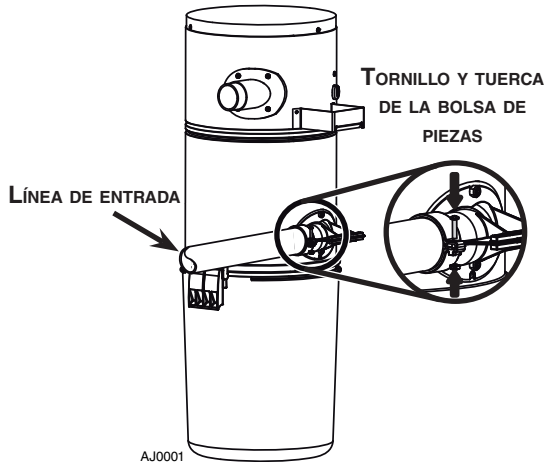


# INSTALACIÓN DE LA UNIDAD DE POTENCIA (CONT.)

## CONEXIÓN DE LA LÍNEA PRINCIPAL A LA UNIDAD DE POTENCIA

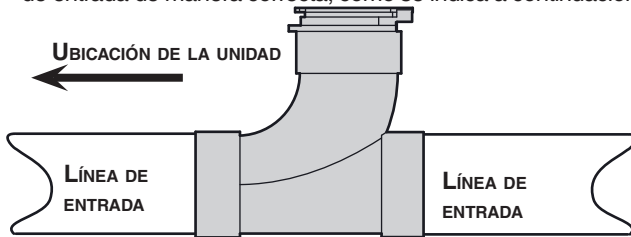
- 1 Tienda la línea de aspiración de la casa al codo que está detrás de la unidad de potencia. Inserte el extremo de la línea en la abertura del codo y fije la línea de aspiración apretando con la mano el tornillo y la tuerca suministrados (ver la ilustración a continuación). **NO USE PEGAMENTO.**

### CONEXIÓN TÍPICA DE LÍNEA DE ENTRADA A LA UNIDAD DE POTENCIA



### NOTA

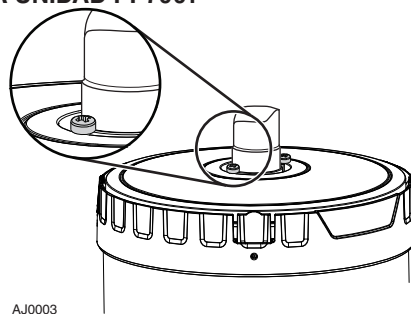
Asegúrese de conectar la válvula de servicio (incluida) a la línea de entrada de manera correcta, como se indica a continuación.



- 2 Ensamble la tubería de salida a la toma de salida en la parte superior de la unidad, de acuerdo con el modelo de unidad de potencia. **NO USE PEGAMENTO.**

### NOTA SOLO PARA LA UNIDAD PP7001

Si lo desea, el acople o codo usado para conectar la línea de salida a la parte superior de la unidad puede fijarse usando los dos tornillos de 5/8" incluidos. Ver la ilustración de la derecha.



NOTA: El uso de tubería flexible facilitará la remoción futura de la tapa superior.

- 3 Asegúrese de que todas las conexiones de tubería estén herméticas.
- 4 La salida no debe ventilarse a una pared, cielo o espacio cerrado en la casa. Se recomienda ventilar el aire de salida de aspiración hacia el exterior. La línea de salida ventilada al exterior debe terminarse usando una tapa de pared modelo 393 o CI330.

NOTA: Para óptima calidad de aire en interiores, se recomienda la salida de la unidad de potencia hacia el exterior pero no es obligatoria.

## INSTRUCCIONES DE CONEXIÓN A TIERRA

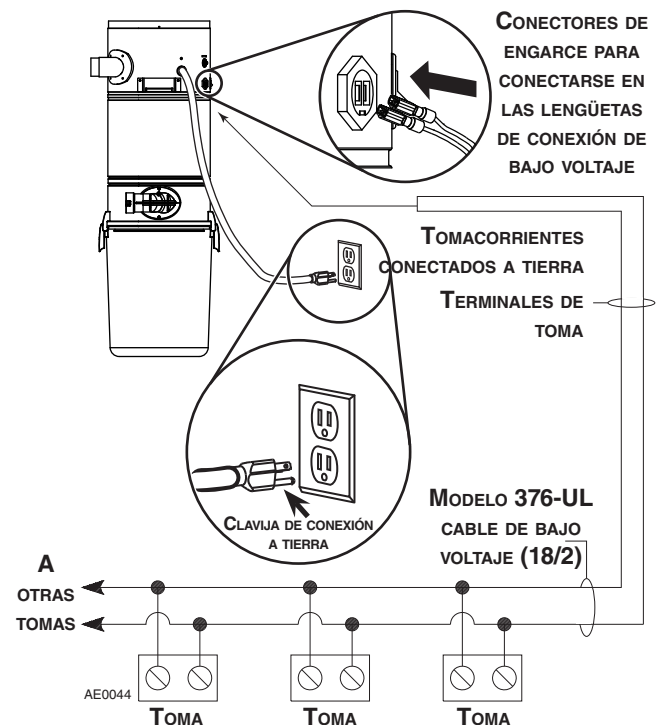
### ⚠ ADVERTENCIA

Si este equipo no se conecta a tierra correctamente puede resultar en riesgo de choque eléctrico. Verifique con un electricista calificado o técnico de servicio si no está seguro de que el tomacorriente está conectado correctamente a tierra. No modifique el enchufe proporcionado con el aparato, si no encaja en el tomacorriente, solicite a un electricista calificado que instale un tomacorriente adecuado.

Instrucciones de conexión a tierra – Este aparato debe ser conectado a tierra. En caso de que ocurra una falla o descompostura, la conexión a tierra proporciona una vía de menor resistencia para la corriente eléctrica, para reducir el riesgo de choque eléctrico. Este aparato está equipado con un cable que tiene conductor y enchufe de conexión a tierra para el equipo. El enchufe debe enchufarse en un tomacorriente adecuado que esté instalado y conectado a tierra correctamente de conformidad con los códigos y leyes locales.

## CABLEADO

Este aparato es para usarse en un circuito de derivación estándar dedicado mínimo de 120 VCA, 20 A con un receptáculo NEMA 5-15R. Asegúrese de que la unidad de potencia esté conectada a un tomacorriente que tenga enchufe con conexión a tierra con la apariencia del enchufe mostrado en la ilustración a continuación. No use adaptadores con esta unidad de potencia.



NOTA: Las terminales de toma deben conectarse en las lengüetas de conexión de bajo voltaje usando conectores de engarce (incluidos en la bolsa de piezas) y el arnés de bajo voltaje.

# REVISIÓN FINAL DEL SISTEMA

Asegúrese de que todas las tomas estén cerradas y de que la bolsa de desechos (para la unidad PP5501) esté puesta en su lugar. Asegúrese de que esta bolsa esté instalada correctamente en la unidad de potencia conforme a las instrucciones impresas en la bolsa o en el manual del usuario. Revise el interruptor en la unidad de potencia para verificar la operación manual de encendido/apagado. Revise que la luz indicadora en el lado de la unidad de potencia esté iluminada.

Retire el manual del propietario de la bandeja de desechos de la unidad de potencia. Puede ser conveniente almacenarlo con las herramientas de limpieza y accesorios.

Ahora es momento de disfrutar de los beneficios de un Sistema de limpieza central NuTone. Consulte el manual del propietario para información sobre la operación y cuidados.

## GARANTÍA

### MODELOS PP5501, PP6501 Y PP7001 NUTONE

#### NUTONE

##### **GARANTÍA LIMITADA DE LA UNIDAD DE POTENCIA DE ASPIRACIÓN CENTRAL**

NuTone garantiza al comprador original que su unidad de potencia de aspiración central no tendrá defectos en materiales y fabricación durante cinco (5) años para las unidades PP5501, ocho (8) años para las unidades PP6501 y diez (10) años para las unidades PP7001. Esta garantía cubre las piezas y mano de obra en un centro de servicio autorizado por los primeros tres (3) años de garantía para las unidades PP5501, los primeros cinco (5) años de garantía para las unidades PP6501, los primeros seis (6) años de garantía para las unidades PP7001. Después estos periodos de tiempo, las piezas serán cubiertas únicamente conforme a esta garantía. **NO EXISTE NINGUNA OTRA GARANTÍA, EXPRESA O IMPLÍCITA, INCLUIDO PERO NO LIMITADO A, GARANTÍAS IMPLÍCITAS DE APTITUD O IDONEIDAD PARA UN PROPÓSITO PARTICULAR.**

**Durante estos periodos de tiempo**, NuTone, a su propia opción, reparará o reemplazará la unidad de potencia o parte de ella sin cargos, la cual se encuentre defectuosa bajo condiciones normales de uso y servicio. **ESTA GARANTÍA NO APLICA A LA INSTALACIÓN DE LAS PIEZAS USADAS EN EL SISTEMA DE TUBERÍA INSTALADO.** Todas las mangueras de aspiración central, cepillos eléctricos o activados por aire, filtros, aditamentos y accesorios están garantizados por un (1) año a partir de la fecha de compra original con la excepción de los insumos tales como bombillas de iluminación y bandas de accionamiento. Lo invitamos a registrar su producto en línea en [www.nutone.com/register](http://www.nutone.com/register). NuTone se reserva el derecho de limitar esta garantía en caso de que el producto no sea registrado.

Esta garantía no cubre (a) mantenimiento y reparaciones normales o (b) cualquier producto o pieza la cual haya sido sometida a mal uso, negligencia, accidentes, mantenimiento o reparaciones incorrectas (excepto las autorizadas por NuTone o por un representante autorizado), instalación incorrecta o contraria a las instrucciones de instalación recomendadas.

La duración de cualquier garantía implícita se limita al periodo especificado para la garantía expresa.

LA OBLIGACIÓN DE NUTONE DE HACER REPARACIONES O REEMPLAZOS, A OPCIÓN DE NUTONE, SERÁ UNA REPARACIÓN SOLA Y EXCLUSIVAMENTE PARA EL COMPRADOR CONFORME A ESTA GARANTÍA. NUTONE NO SE HARÁ RESPONSABLE POR DAÑOS Y PERJUICIOS QUE SURJAN DE O EN RELACIÓN CON EL USO O RENDIMIENTO DEL PRODUCTO. No devuelva su unidad al lugar de compra. Visite [www.nutone.com](http://www.nutone.com) para su centro de servicio más cercano. También puede llamar al 1-888-336-3948 para el nombre de un representante autorizado en su localidad. Esta garantía reemplaza a todas las garantías anteriores.

El servicio de garantía debe ser llevado a cabo en un Centro de servicio autorizado designado por NuTone. Donde sea aplicable, el servicio a domicilio estará disponible únicamente en áreas donde un proveedor de servicios contratado ofrezca sus servicios durante los primeros tres (3) años de garantía para las unidades PP5501, durante los primeros cinco (5) años de garantía para las unidades PP6501, durante los primeros seis (6) años de garantía para las unidades PP7001. Si el servicio a domicilio no está disponible, el producto será reparado o reemplazado, a discreción de NuTone, por el proveedor de servicio autorizado más cercano. Los trabajos de remoción y reinstalación de la unidad de potencia son responsabilidad del cliente y NuTone no cubrirá esos gastos.

Para calificar para el servicio de garantía, debe notificar a NuTone en su dirección o llamando al número telefónico proporcionado a continuación. Entonces lo remitiremos a un centro de servicio autorizado en su localidad. Usted deberá presentar un comprobante de la fecha de compra original.

Fecha de instalación

Constructor o instalador

Número de modelo y descripción del producto

#### **SI NECESITA ASISTENCIA O SERVICIO**

Para la ubicación de su Centro de servicio autorizado independiente NuTone más cercano:

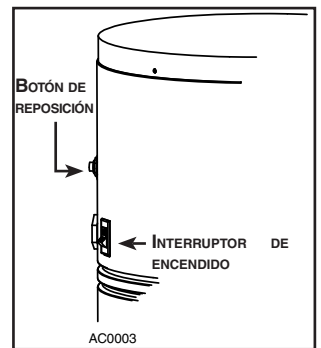
**Residentes contiguos a los Estados Unidos, llamar a la línea gratuita: 1-888-336-3948**

Prepárese para proporcionar: Número del modelo del producto • Fecha y comprobante de compra • La naturaleza del problema.

**Los residentes de Alaska o Hawái deben escribir a:** NuTone Inc. Atención: Department of National Field Service, 926 West State Street, Hartford, WI 53027

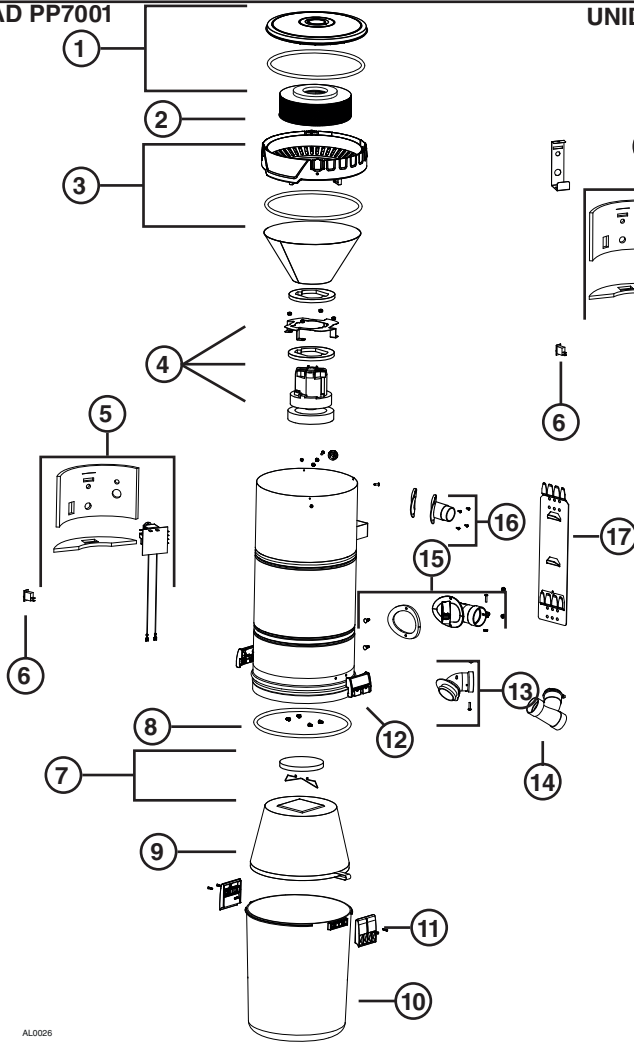
# GUÍA DE LOCALIZACIÓN Y SOLUCIÓN DE PROBLEMAS

PROBLEMAS	CAUSAS PROBABLES	REMEDIOS PROBABLES
<p>1. Pérdida o disminución de aspiración.</p>	<ul style="list-style-type: none"> <li>• La bandeja de desechos o la bolsa desechable está completamente llena.</li> <li>• El empaque de la bandeja de desechos está dañada o falta.</li> <li>• Obstrucción en la manguera. Una obstrucción en la manguera puede ser determinada al insertar la manguera en cualquier toma de pared y, con la unidad de potencia funcionando, revisar cada toma adicional para verificar una aspiración normal sosteniendo la palma de la mano sobre abertura de la toma. Si se siente una aspiración normal en todas las demás tomas, inserte la manguera en una segunda toma. Si la obstrucción aún se siente, entonces está ubicada en la manguera. No obstante, si la obstrucción no se siente cuando la manguera se cambia a otra toma, entonces la obstrucción probablemente está ubicada en el sistema de tubería que lleva a la toma original.</li> <li>• Obstrucción en el sistema de tubería en el interior de las paredes.</li> <li>• Filtro permanente o bolsa desechable rota.</li> <li>• La tapa de la toma de pared no está sellada correctamente.</li> <li>• Tubería de escape o de ventilación taponada.</li> </ul>	<ul style="list-style-type: none"> <li>• Vacíe la bandeja de desechos o cambie la bolsa desechable como se indica en la guía del usuario en la página 4.</li> <li>• Reemplace el empaque de la bandeja de desechos.</li> <li>• Desconecte la manguera de la toma de pared e inserte un instrumento desafilado en la manguera — de diámetro ligeramente más pequeño — como por ejemplo una manguera flexible para jardín. Empuje la manguera de jardín a través de la manguera del sistema de limpieza hasta que se despeje la obstrucción.</li> <li>• Inserte el extremo de la manguera en cualquier toma para activar la unidad de potencia, luego coloque la palma de su mano sobre el extremo opuesto de la manguera. Cuando pueda sentir que la aspiración aumenta, sostenga su mano sobre el extremo de la manguera durante unos cuantos segundos y luego quite la mano rápidamente. Este procedimiento repetido varias veces debe despejar la obstrucción. En caso de que la obstrucción no se despeje, contacte a su Centro de servicio más cercano.</li> <li>• Limpie el interior de la unidad e instale un nuevo filtro permanente sellado HEPA (o bolsa desechable); consulte la guía del usuario en las páginas 4 y 5.</li> <li>• Revise todas las tapas de toma de pared para asegurarse de que estén bien cerradas y selladas.</li> <li>• Revise y elimine cualquier obstrucción.</li> </ul>
<p>2. La unidad de potencia no arranca o se detiene repentinamente.</p>	<ul style="list-style-type: none"> <li>• Toma defectuosa. Revise las demás tomas de pared.</li> <li>• El interruptor de circuito interno de la unidad de potencia se ha activado (el botón de reposición se ha disparado).</li> <li>• Fusible fundido o interruptor de circuito disparado en el panel eléctrico local.</li> <li>• Manguera defectuosa.</li> <li>• El protector contra sobrecorriente de la unidad de potencia se ha activado.</li> </ul>	<ul style="list-style-type: none"> <li>• Reemplace la toma de pared defectuosa.</li> <li>• Presione el botón de reposición del interruptor de circuito ubicado en el lado izquierdo de la unidad de potencia. Si este botón se dispara otra vez, contacte a su Centro de servicio autorizado.</li> <li>• Reemplace el fusible o reposicione el interruptor de circuito en el panel eléctrico local.</li> <li>• Reemplace la manguera como sea requerido.</li> <li>• Desenchufe la unidad de potencia, espere al menos 15 minutos y enchufe de nuevo la unidad de potencia.</li> </ul>
<p>3. La unidad de potencia funciona continuamente cuando se desconecta la manguera.</p>	<ul style="list-style-type: none"> <li>• El interruptor de la unidad de potencia está en posición de encendido.</li> <li>• Ha ocurrido un corto eléctrico en algún lugar del sistema.</li> </ul>	<ul style="list-style-type: none"> <li>• Ponga el interruptor de la unidad de potencia en posición de apagado.</li> <li>• Lleve a cabo una revisión completa de todas las tomas de pared y de las conexiones de terminales de control de bajo voltaje. Contacte a su Centro de servicio autorizado.</li> </ul>

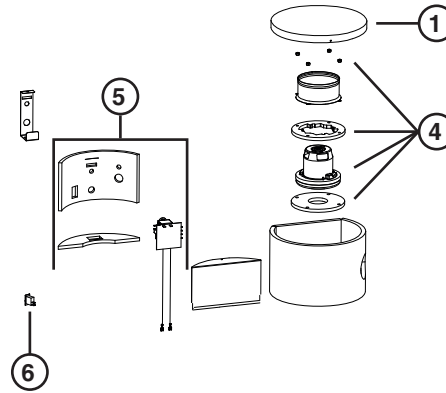


# PIEZAS DE SERVICIO

UNIDAD PP7001



UNIDADES PP5501 Y PP6501



## PIEZAS DE REPUESTO Y REPARACIONES

Para poder asegurar que su unidad permanezca en buenas condiciones de funcionamiento, debe usar únicamente piezas de repuesto genuinas de NuTone. Las piezas de repuesto genuinas de NuTone están diseñadas especialmente para cada unidad y son fabricadas para cumplir con todos los estándares de certificación aplicables y para mantener un alto estándar de seguridad. Cualquier pieza de repuesto fabricada por terceros puede causar graves daños y reducir drásticamente el nivel de rendimiento de su unidad, lo cual resultará en falla prematura. NuTone también recomienda contactar a un centro de servicio autorizado de NuTone para todas las reparaciones y piezas de repuesto necesarias.

AL0026

NÚMERO DE ELEMENTO	NÚMERO DE PIEZA	DESCRIPCIÓN	PP5501	PP6501	PP7001
1	S10941409	ENSAMBLE DE TAPA SUPERIOR PP7001 (INCLUIDO EL ELEMENTO 8) (PARTE SUPERIOR)			1
	S10941424	ENSAMBLE DE TAPA SUPERIOR PP5501 Y PP6501	1	1	
2	S10941416	FILTRO DE DESCARGA HEPA PP7001			1
3	S10941413	ENSAMBLE DE TAPA SUPERIOR PP7001 (INCLUIDO EL ELEMENTO 8) (PARTE INFERIOR)			1
4	66368	MOTOR CON ESPUMAS SUPERIOR Y INFERIOR Y TUERCAS			1
	S10941418	MOTOR CON ESPUMAS SUPERIOR Y INFERIOR Y TUERCAS	1		
	S10941419	MOTOR CON ESPUMAS SUPERIOR Y INFERIOR Y TUERCAS		1	
5	S10941420	TARJETA ELECTRÓNICA CON ESPUMAS INFERIOR Y LATERAL	1	1	1
6	S99670649	INTERRUPTOR BASCULANTE	1	1	1
7	66369	FILTRO DE ESPUMA DEL MOTOR CON SUJETADOR	1	1	1
8	S10941400	EMPAQUE	1	1	3
9	S10941415	FILTRO PERMANENTE SELLADO HEPA		1	1
10	S99670648	BANDEJA DE DESECHOS (INCLUIDO EL ELEMENTO NÚMERO 11)	1	1	1
11	S10941199	SEGURO Y TORNILLOS	2	2	2
12	S10941404	RETÉN DEL SEGURO CON TORNILLOS	2	2	2
13	S10941405	ADAPTADOR PARA BOLSA CON TUERCA Y TORNILLO	1	1	1
14	S10941408	VÁLVULA DE SERVICIO	1	1	1
15	S10941406	CODO DE ENTRADA CON EMPAQUE, TORNILLOS Y TUERCAS	1	1	1
16	S99670650	TOMA DE SALIDA CON EMPAQUE Y TORNILLOS	1	1	
17	S30390555	SOPORTE DE LA UNIDAD DE POTENCIA	1	1	1
*	391	BOLSA DESECHABLE (JUEGO DE 3)	1	1	1

\* ELEMENTO NO MOSTRADO

NOTA: Pida las piezas de servicio por "Número de pieza"  
— no por "Número de elemento"