



## RIELLO 40 SERIES POWER GAS BURNER MODEL G750 NATURAL & PROPANE GAS

### INSTALLATION INSTRUCTIONS AND OWNER'S HANDBOOK

**CAUTION:** All Riello power gas burners **MUST** be installed by certified or licensed gas technician.

**WARNING:** Installation of this burner must conform with local codes requirements or, in the absence of local codes, with the Standard: National Fuel Gas code ANSI Z223.1-1984, and CAN/CGA B149.1 & 2 AND UL 795. If an external electrical source is utilized, the conversion burner, when installed, must be electrically grounded in accordance with local codes or, in the absence of local codes, with the national Electrical Code, ANSI/NFPA No. 70-1990 and CSA Electrical Code C22.2 No.0 M1982 & C22.2 No 3. 1988.

Authorities having jurisdiction should be consulted before installations are made. The owner is required to retain this manual for future reference.

**This burner must be fired ONLY with the fuel listed on the burner nameplate.**

TECHNICAL SPECIFICATIONS				
FIRING RATES: 250 to 750 KBTU/Hr				
	NATURAL		PROPANE	
MANIFOLD PRESSURES	1.4" w.c.	2.1" w.c.	1.0" w.c.	3.0" w.c.
GAS SUPPLY PRESSURES	7 - 14" w.c.		8 - 14" w.c.	
POWER	120 VOLTS 60 Hz. single phase			
MOTOR	233T 4.3 AMPS 3250 RPM 325 RAD/sec			
TRANSFORMER	Primary: 120Vac 1.4A. Secondary: 6000Vac 20mA			
SAFETY CONTROL	120 VOLT 60 Hz.			
<b>WARNING: If the information in these instructions is not followed exactly, a fire or explosion may result causing property damage, personal injury or death.</b>				
<b>Do not store or use gasoline or any other flammable vapours or liquid in the vicinity of this or any other appliance.</b>				
<b>WHAT TO DO IF YOU SMELL GAS:</b>				
1) Do not try to light any appliance.				
2) Do not touch electrical switches; Do not use any phone in your building.				
3) Immediately call your gas supplier from a neighbour's phone. Follow the gas supplier's instructions.				
4) If you cannot reach your gas supplier, call the fire department.				

---

---

## TABLE OF CONTENT

---

---

SERIAL NUMBER IDENTIFICATION.....	3
PRINCIPAL BURNER COMPONENTS.....	4
DIMENSIONS.....	4
UNIVERSAL MOUNTING FLANGE DIMENSIONS.....	5
ELECTRODE AND FLAME PROBE ADJUSTMENTS.....	5
TYPICAL GAS TRAIN LAYOUT.....	6
INSTALLING THE BURNER.....	7-9
COMBUSTION HEAD SETTING.....	9
FIRING RATE SPECIFICATIONS AND SETTINGS.....	10
WORKING RANGE OF BURNER.....	10
COMBUSTION CHAMBER SIZING.....	11
COMBUSTION CHECKS.....	11
BURNER START-UP CYCLES.....	12
BURNER TECHNICAL DATA.....	12
FACTORY WIRING DIAGRAM.....	13
OPERATING MODES.....	13
FIELD WIRING DIAGRAM.....	14
INSTALLATION OF SEDIMENT TRAP & BURNER SUPPLY.....	15
OPERATING FAULTS.....	16
OWNER INFORMATION & ROUTINE MAINTENANCE.....	16
PROBLEM SOLVING GUIDE.....	16-17
SPARE PARTS LIST.....	18
SPARE PARTS DIAGRAM.....	19
BURNER START-UP FORM.....	20

*The following pages contain information, descriptions and diagrams for the proper installation and wiring of the burner. Please read carefully before attempting final installation.*

*The responsibility for ensuring that this manual is complete rests with the holder of these instructions.*

---

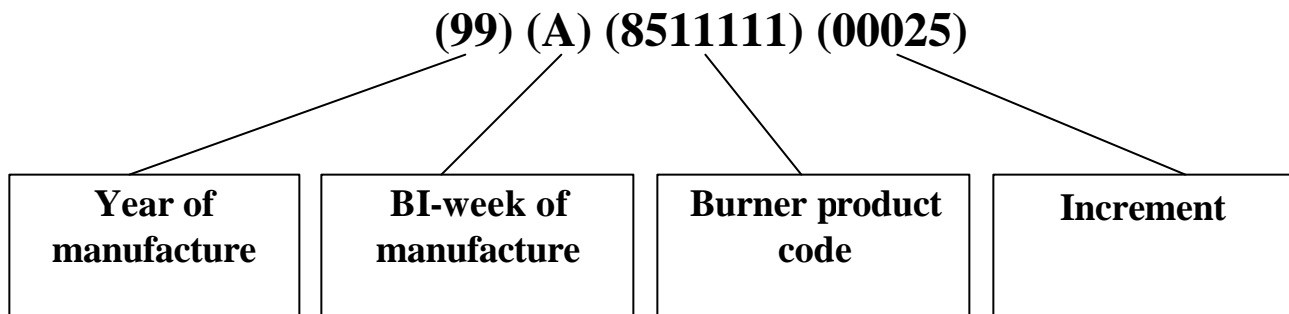
---

## SERIAL NUMBER IDENTIFICATION

---

---

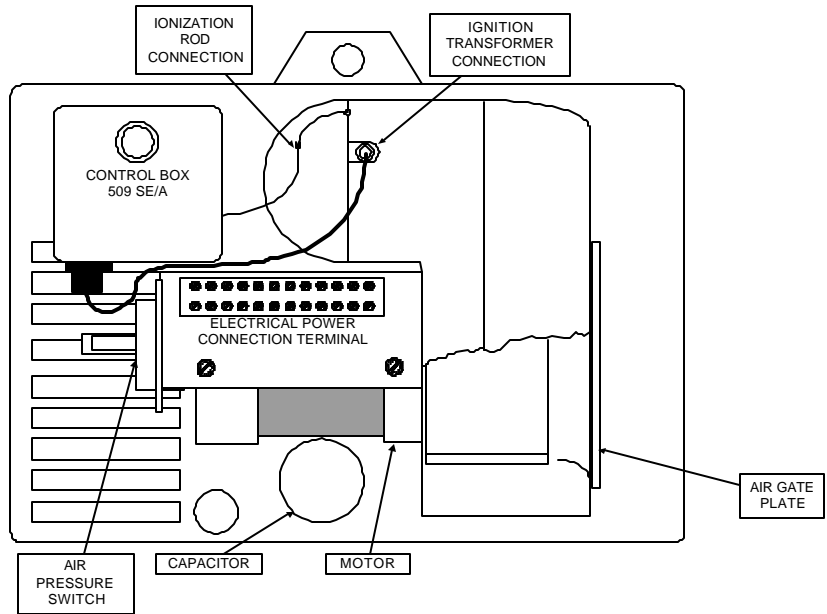
The Riello 15 character serial number, example, **99 A 8511111 00025**, is identified as follows:  
**99** = last two digits of the year of manufacture; **A** = BI-week of manufacture; **8511111** = burner product code; **00025** = increment of 1 for each burner produced – specific to product code – reset to zero each January 1<sup>st</sup>.



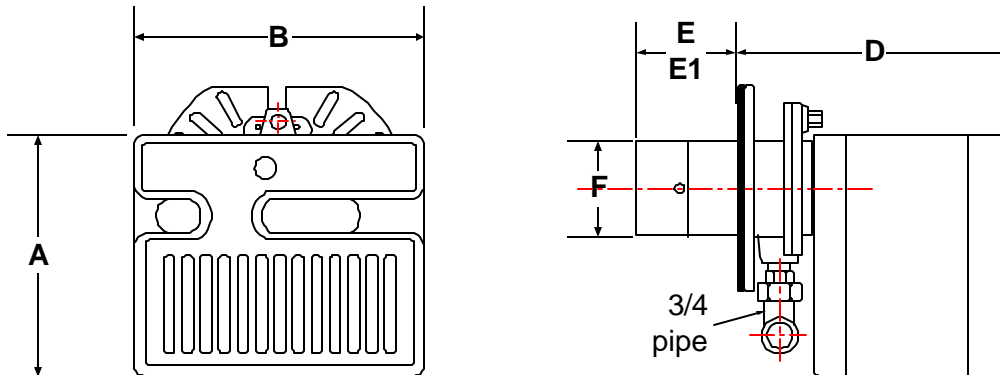
## PRINCIPAL BURNER COMPONENTS

**Accessory Package:**

- 1-Insulating gasket
- 1-Data tag
- 1-Instruction booklet
- 2-Bilingual warning labels (CAN1-B149)



## BURNER DIMENSIONS

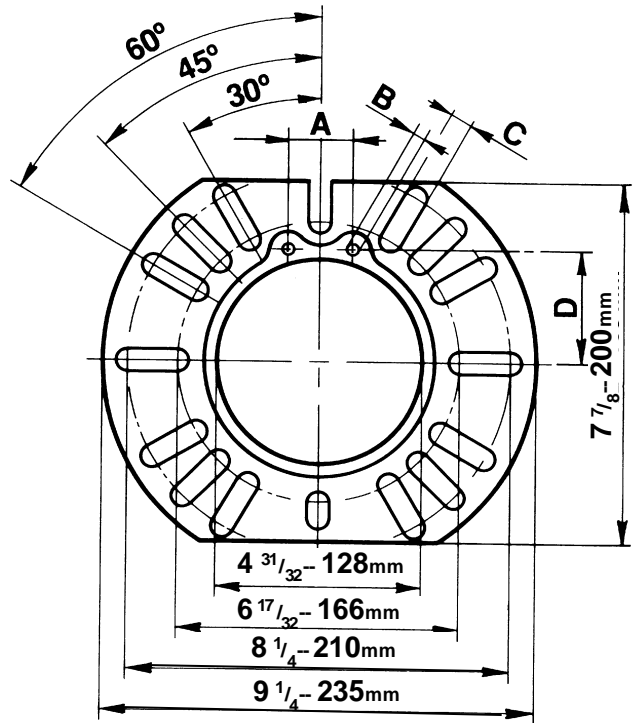


Model 750	A	B	D	E	E1	F
Inches	11 3/4	13 3/4	15 5/16	4 1/8	10 5/8	4 15/16
mm	298	350	389	105	270	125

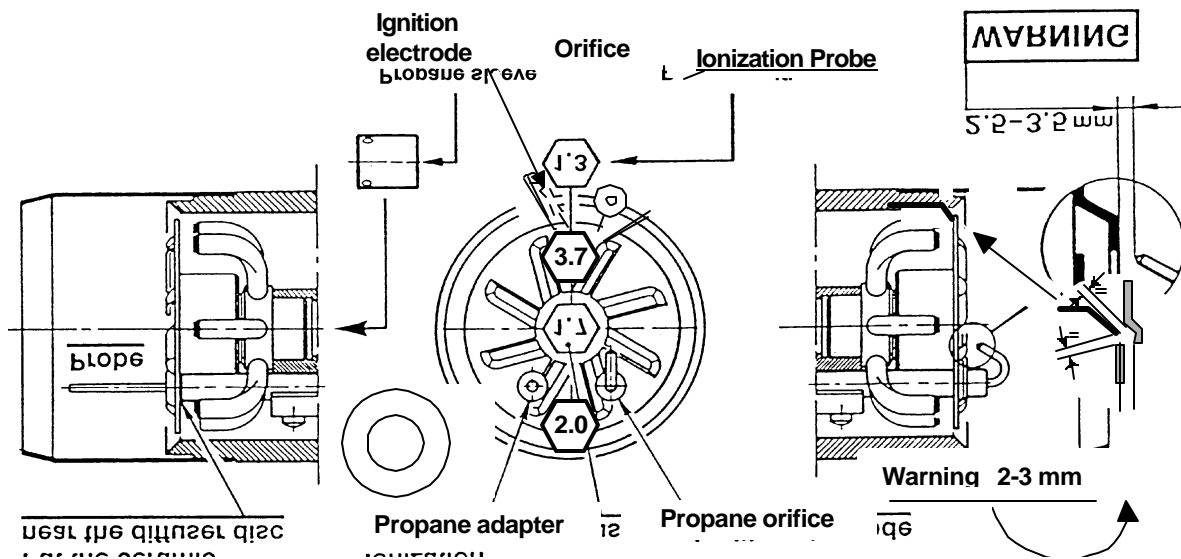
NOTE: Actual available insertion length must be measured from tip of end cone to face of mounting gasket.

## UNIVERSAL MOUNTING FLANGE DIMENSIONS

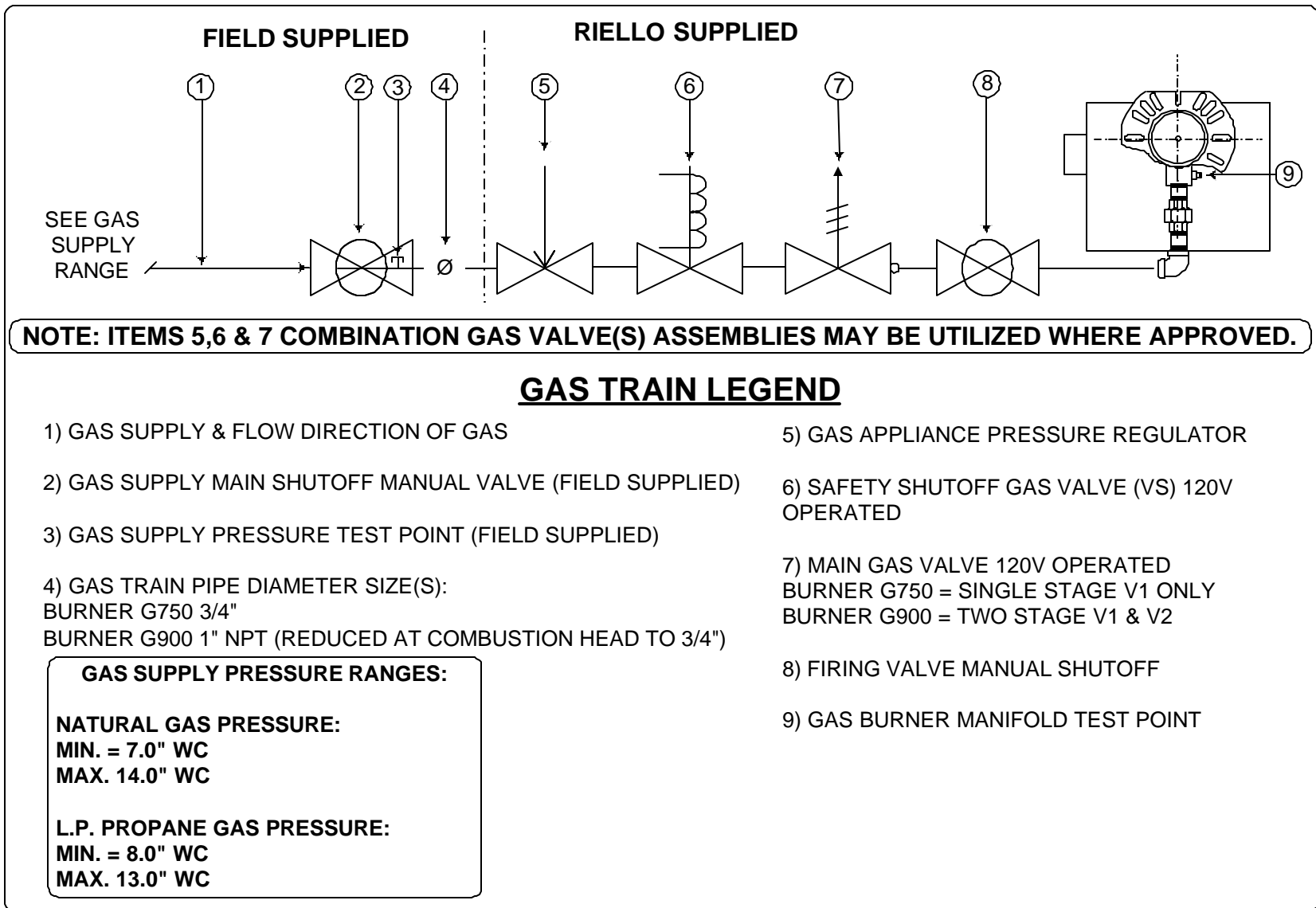
	A	B	C	D
inches	1 1/2	1/4	7/16	2 7/8
mm	38	6	11	73



## ELECTRODE AND FLAME PROBE ADJUSTMENTS



## TYPICAL GAS TRAIN LAYOUT



This gas train scope of supply meets the minimum controls requirements according to CGA and AGA regulations. Any additional requirements needed to meet local codes are the responsibility of others.

---

---

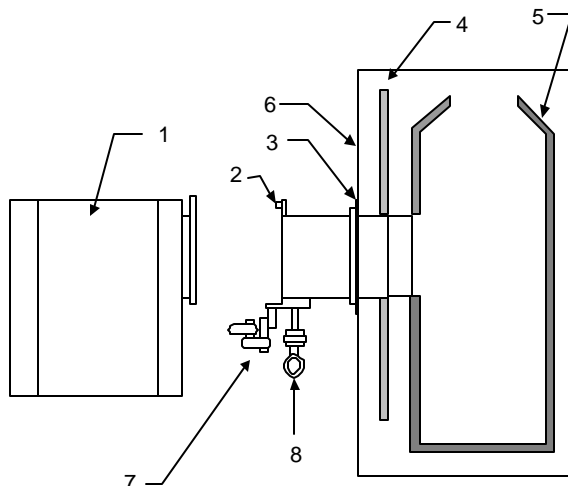
## INSTALLING THE BURNER

---

---

1. Burner Chassis
2. Lock-nut
3. Burner Mounting Gasket
4. Insulation on Mounting Plate
5. Combustion Chamber
6. Forced Air Heat Exchanger
7. Burner Hinge Assembly
8. Gas Train Supply

Separate the combustion head of the burner from the chassis (1) by removing the lock-nut (2). Install the combustion head into the appliance.



**NOTE:** Unless otherwise noted, it is recommended that the combustion head do not protrude into the combustion chamber.

Use this checklist prior to installation:

- 1) Check the input/output requirements of the boiler/furnace.
- 2) Check the physical size of the combustion chamber against the thermal Requirements of the application and relate this to the sizing charts.
- 3) Check that there is sufficient air for proper combustion and adequate ventilation. Local codes should be followed. Check that you have adequate space for servicing the equipment. Riello Burner requires a minimum of 13 inches clear space behind the red cover. This is required to allow easy removal of the cover for servicing and periodic maintenance.
- 4) Check that the chimney is of sufficient area to handle the exhaust gases. Make sure that the chimney is clear and there are not obstructions.
- 5) Barometric draft regulators, when used, should be of the double acting type, and Must be installed in accordance with the draft regulator Manufacturer's instructions. Single acting barometric dampers are not permitted.
- 6) Affix the supplied operating instructions label to the burner. This label reads

As follows:

**TO START THE BURNER:** Switch on power, open manual gas cocks, set the thermostat above ambient temperature. If the burner does not start, Press the illuminated re-set button on the burner safety control.

**TO SHUT DOWN BURNER:** Switch off power supply. If burner is switched off for extended periods, close manual gas cocks.

### **IMPORTANT:**

The installer must identify the main electrical power switch and manual gas shut off valve, for emergency conditions. The red cover on the burner must be in place and secured before the burner is placed in operation.

### **GENERAL INFORMATION**

Your Riello gas burner comes to you completely assembled and wired, ready for installation. The short head version has a fixed flange, which bolts directly to the front of the boiler/furnace. The long head version is equipped with a universal flange, which, when bolted to the boiler/furnace, allows the burner to be adjusted inwards or outwards for exact positioning in the combustion zone.

## **STEP-BY-STEP PROCEDURE**

- 1) Remove the burner from the carton, taking care not to lose any of the supplied accessories, and check for signs of physical damage.
- 2) Bolt the burner to furnace/boiler. Be sure to install the supplied mounting gasket. Ensure that the burner is level and that the combustion head is centered in the boiler/furnace port. A spirit level placed across the cover will give you a good level. Refer to page 7 for position of combustion head relative to the chamber.
- 3) Check that the gas train is tight and make your connections to the incoming gas supply.
  - a) A sediment trap must be provide at the gas connection inlet to the burner gas train.
  - b) If not already installed, a manual shutoff valve must be supplied. This valve must be upstream of the burner/supply connection.
  - c) A 1/8 NPT plugged tapping must be installed immediately upstream of the Burner/supply connections and must be accessible for a test gauge.
  - d) If required by local codes, provide gas vent lines at the gas regulators and And valve (Riello gas trains are equipped with vent limiting orifices).

**NOTE:** Details of sediment trap, manual gas valve and test point can be found in installation of sediment trap and burner supply section.

- 4) Remove the red protective cover by removing the three screws. Make your adjustment of stop gate, (refer to firing rate specifications and settings charts for details). Replace and secure the air cover plate.
- 5) Electrical hookup: 120Volt 60 Hz incoming power lines should be connected to Terminals 1 and 2 on burner terminal block. A manual disconnect switch must be installed in the incoming power lines. Incoming power lines must be rigid conduit or flexible approved cable.

**CAUTION: The hot wire must be connected to the black lead of the relay: neutral to the white lead.** Do not reverse the polarity. The burner will not operate with the Phase/Neutral reversed, and the control box may be damaged. Proper earth ground should be connected to the terminal block mounting plate which should be a solid green wire to Earth Ground.

- 6) Start and check the burner functions as follows:
  - a) Make a final check on the gas and electrical connections.
  - b) Check that all adjustments have been completed
  - c) Loosen the screw in the manifold gas test point and install a manometer.
  - d) Switch on power.
  - e) Set the thermostat at its highest setting and press the burner reset button. Allow the burner to run through a complete cycle to check control functions.
  - f) Turn on the manual gas valve and reset the safety. At this stage, the burner will open the air shutter and once it is open, the burner will prepurge for aprox.30 seconds. Allow about 66 seconds for the control module to check all the operating circuits.

It may be necessary to repeat the starting cycle several times to free the gas train of entrapped air. If the burner goes to lockout, reset the safety button.

- 7) With the burner running and flame established, check the manifold gas pressure. Adjust manifold pressure to the correct value for the selected firing rate specified in the FIRING RATE SPECIFICATIONS AND SETTINGS chart. After completing the setting, remove the manometer and tighten the screws.

**NOTE:** Do not assume the burner is operating at optimum performance.

## **A COMBUSTION TEST MUST BE PERFORMED**



8) Make your final combustion efficiency test and fine tune the fan air damper as necessary. Replace the red protective cover and secure with three screws.

**NOTE:** Do not assume the burner is operating at optimum performance.

9) If the burner is installed on a central warm air furnace, affix the supplied warning labels to the furnace fan cover door (inside and outside).

10) Always do a final set up by checking the gas flow rate by clocking the meter. Do a complete combustion check with proper test equipment to obtain the best and safe CO<sup>2</sup>, O<sup>2</sup>, and CO results. This test must be done by a qualified technician. The maximum CO<sup>2</sup> level for Natural Gas is 10%.

The maximum CO<sup>2</sup> level for Propane Gas is 12%. The recommended flue gas temperature is from 350 degrees Fahrenheit to 550 degrees Fahrenheit.

Fill out the installation data on the label described below and explain the burner's essential functions (starting and stopping) to the owner. Do not forget to give the dealer or service company's name and address.

**NOTE:** This label is supplied in the package with the burner and should be filled out and affixed to the appliance when the conversion burner is installed.

ADJUSTMENT DATA TAG ANSI Z21-17b-1994		
INPUT C.F.H.		
MANIFOLD PRES.		
AIR DAMPER		
AIR/GAS RATIO No.		
FLUE GAS TEMP.		
O <sub>2</sub> LEVEL %		
CO <sub>2</sub> LEVEL %		
CO LEVEL P.P.M		
DATE :		
COMPLETED BY		
INSTALLATION CONTRACTOR		

---



---

## COMBUSTION HEAD SETTING

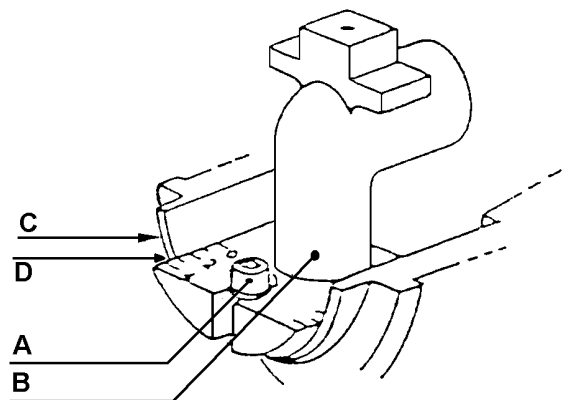
---



---

### COMBUSTION HEAD ADJUSTMENTS

To set combustion head, loosen the Allen screw (A) and move the elbow (B) so that the rear edge of the air tube (C) coincides with the set point number (D). See firing rate chart for set points. Retighten the Allen screw (A).



## FIRING RATE SPECIFICATIONS AND SETTINGS

Make sure you are using the correct table for either Natural gas or Propane gas.

### Natural gas burner setup chart

BTU Input	Air Gate	Stop Gate	Manifold Pressure	Line Pressure
250,000	1.7	0.0	1.4" w.c.	8.0"w.c.
350,000	1.6	0.0	1.6" w.c.	8.0"w.c.
450,000	1.8	1.0	1.5" w.c.	8.0"w.c.
550,000	2.2	2.0	1.4" w.c.	8.0"w.c.
650,000	2.8	3.0	1.8" w.c.	10.0"w.c.
750,000	3.5	4.0	2.1" w.c.	12.0"w.c.

Line pressure measured at gas valve with burner firing.

### Propane gas burner setup chart

BTU Input	Air Gate	Stop Gate	Manifold Pressure	Line Pressure
250,000	2.0	0.0	1.0" w.c.	11.0"w.c.
350,000	2.1	0.0	1.4" w.c.	11.0"w.c.
450,000	3.0	1.0	1.5" w.c.	11.0"w.c.
550,000	3.2	2.0	2.1" w.c.	11.0"w.c.
650,000	3.7	3.0	2.6" w.c.	11.0"w.c.
750,000	4.1	4.0	3.0" w.c.	11.0"w.c.

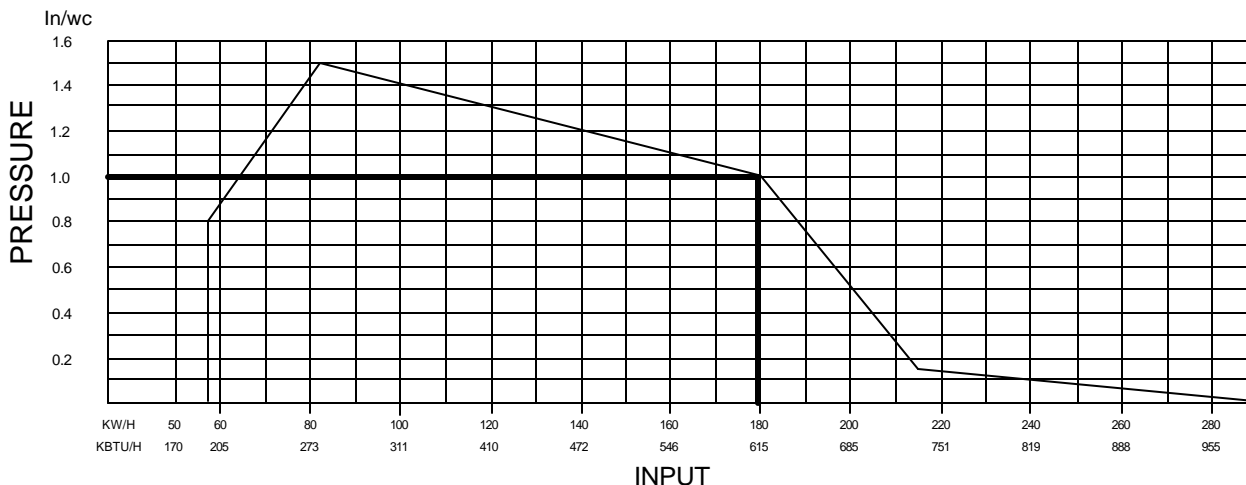
Line pressure measured at gas valve with burner firing.

**NOTE:** The above settings are a starting point for adjustments ONLY; a qualified gas technician using proper test equipment must do the final adjustments. Proper CO<sub>2</sub>, O<sub>2</sub>, and CO readings must be taken and be within regulating code requirements.

All the settings above are based on zero (0) over fire-draft. If positive or negative chamber conditions exist some settings changes made be required.

**NOTE:** For any referral to valve setting, please check the attached manufacturer valve specification.

## WORKING RANGE OF BURNER



Example (shown above): With the gas burner installed on a boiler with an over-fire pressure of 1" water column in the combustion zone with the burner firing, the maximum output of the burner will be 615,000

BTU. If the input of the boiler is larger than the burner capacity in this condition, then the burner is not compatible to the job application.

---

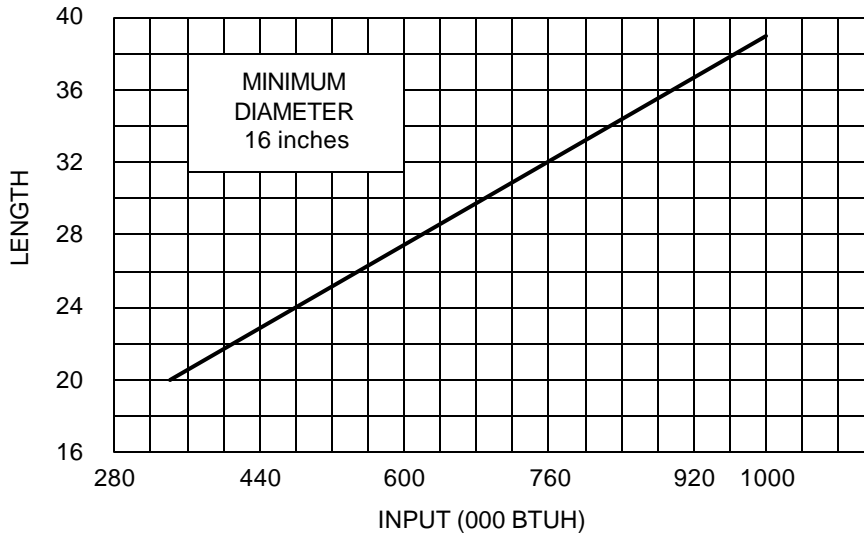
---

## COMBUSTION CHAMBER SIZING

---

---

### RECOMMENDED MINIMUM SIZES



#### **NOTES:**

- 1) Sizes shown above are for cylindrical or wet base boilers, or air cooled heat exchangers.
- 2) To size the chamber in applications other than wet base boilers, you must calculate area in square inches of the combustion zone required to give you a grate area or floor area to match the BTU inputs according to local authority.
- 3) Recommended firebrick or cerafelt material has a continuous run limited to 2400 degrees Fahrenheit and a melting point of 3000 degrees Fahrenheit.

---

---

## COMBUSTION CHECKS

---

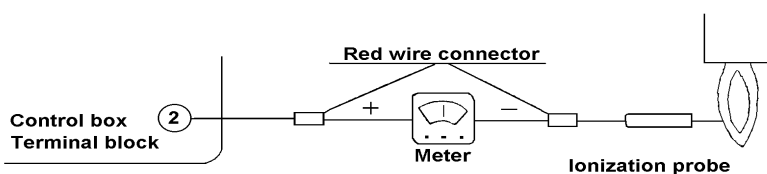
---

CO<sup>2</sup>: It is advisable not to exceed a measured reading of 10% CO<sup>2</sup> for Natural Gas or 12% CO<sup>2</sup> for Propane Gas taken with the burner cover in place, to avoid the risk of the formation of CO due to minor changes in wind/draft conditions which may occur.

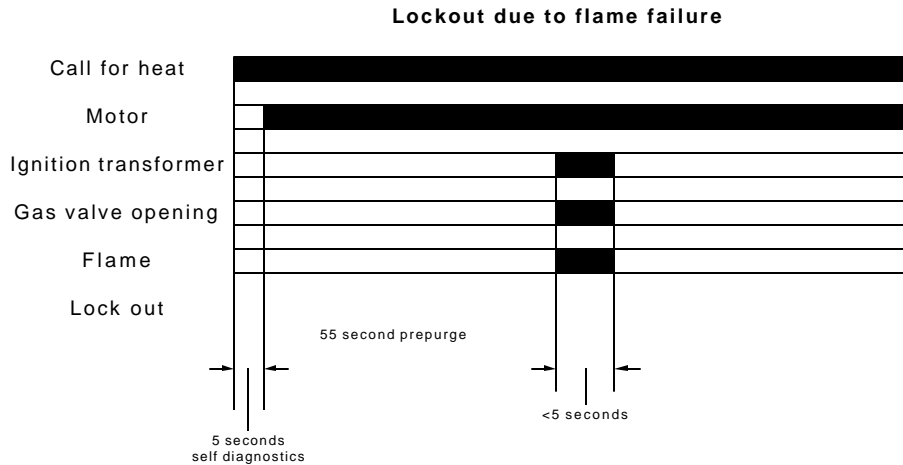
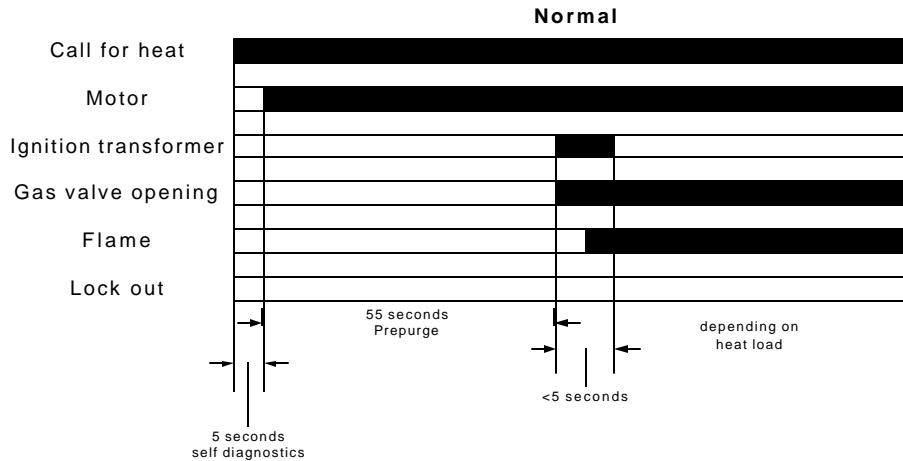
CO: For safety reasons, the value of .02% (200 ppm) free air sample must not be exceeded.

### IONIZATION CURRENT

The minimum amount of current necessary for the control module to operate properly is 5 micro-amps. To measure the ionization current, unplug the connector fitted to the red wire and insert a DC micro ammeter in series with control box Terminal 2 and the ionization probe in which senses the flame. Refer to the drawing below.



# BURNER START-UP CYCLES



## BURNER TECHNICAL DATA

**Lockout occurs immediately after flame failure.**

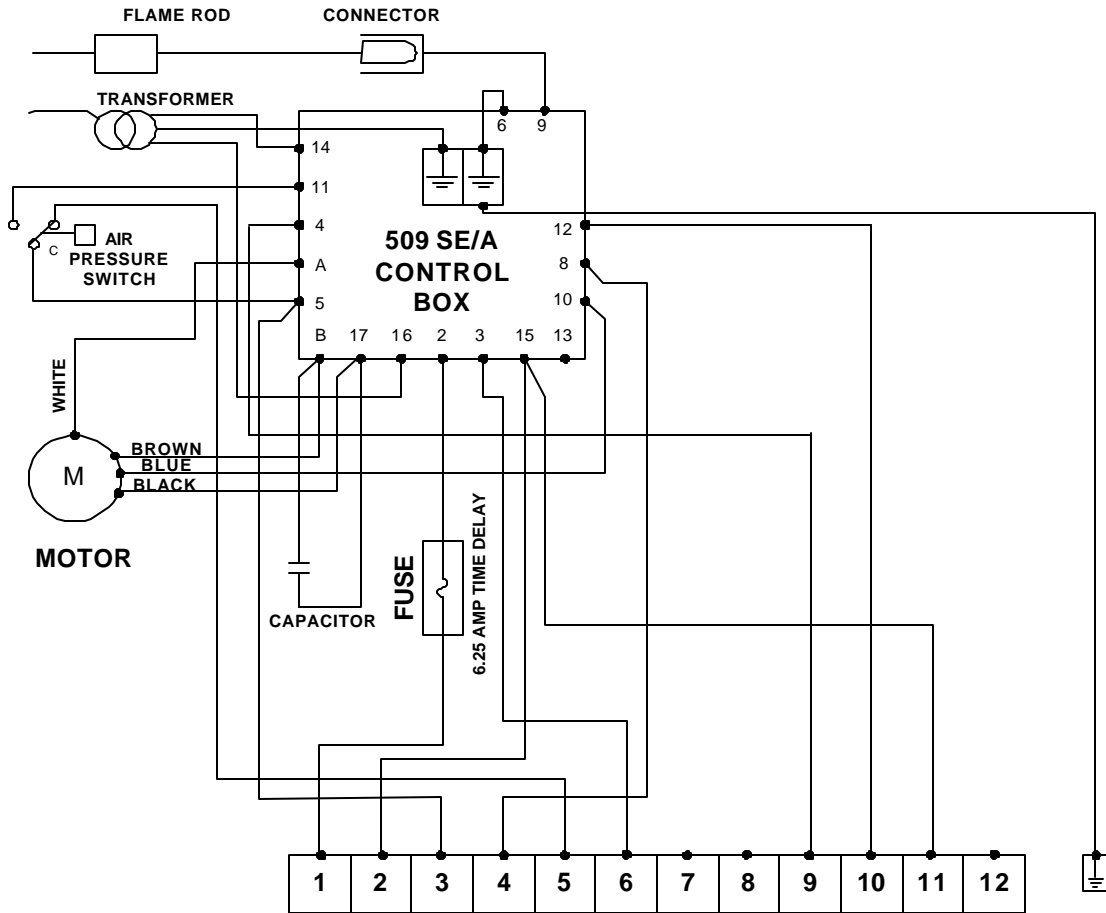
### MAXIMUM LOADS

Motor	terminal 10	3A
Ignition transformer	terminal 14	2A
Valves	terminal 12 – 13	2A
Lockout Lamp	terminal 4	1A

### TECHNICAL DATA

Voltage	120V +10% -15%
Frequency	60 Hz
Absorption	10 VA
Prepurge time	55 seconds
Ignition time	4.5 seconds
Trial for ignition time	5 seconds
Flame response time	< 1 second
Total start time	90 seconds
Flame detector sensitivity	3 micro-amps
Rated ionization current	5 micro-amps
Electrical protection	IP 40
Ambient temperature	-20? to +60?C
Maximum Fuse (external)	15 A (250V)

# INTERNAL FACTORY WIRING DIAGRAM



## REMOTE SENSING OF SAFETY LOCKOUT

Terminal 4 on the 509SE/A Control Box sub-base can be used to activate a circuit allowing remote sensing of burner lockout switch.

**THE MAXIMUM AMPERAGE LOAD ON THIS CIRCUIT IS 1.0 AMP.**

## OPERATING MODES

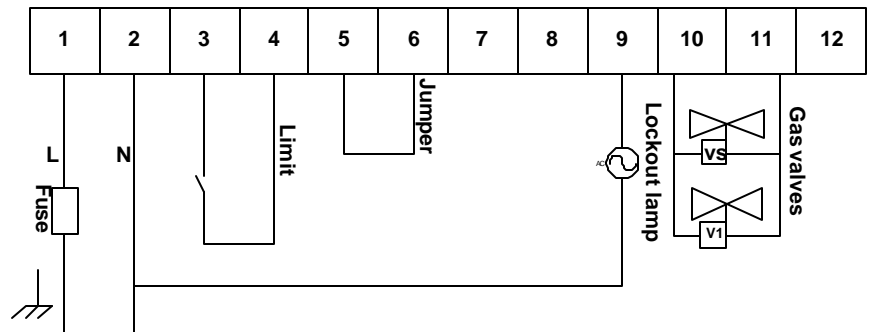
The label shown below is found inside the burner cover. Please refer to this diagram when making electrical connections to the burner. All wiring indicated by dotted lines on the label is to be installed.

### CONTROL CIRCUITS

Burner operation may be controlled by either a 120V or 24V control system. The required controls must be connected to the burner as described on the following pages.

G750 Rev.2 - 06/10/2002

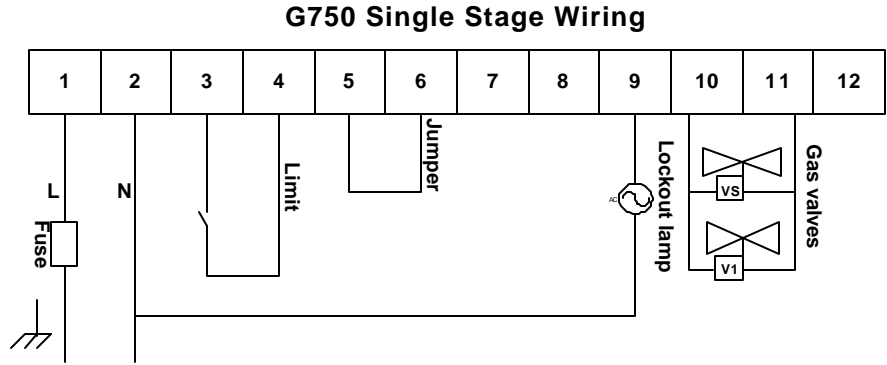
### G750 Single Stage Wiring



# FIELD WIRING

## 120V CONTROL SYSTEM

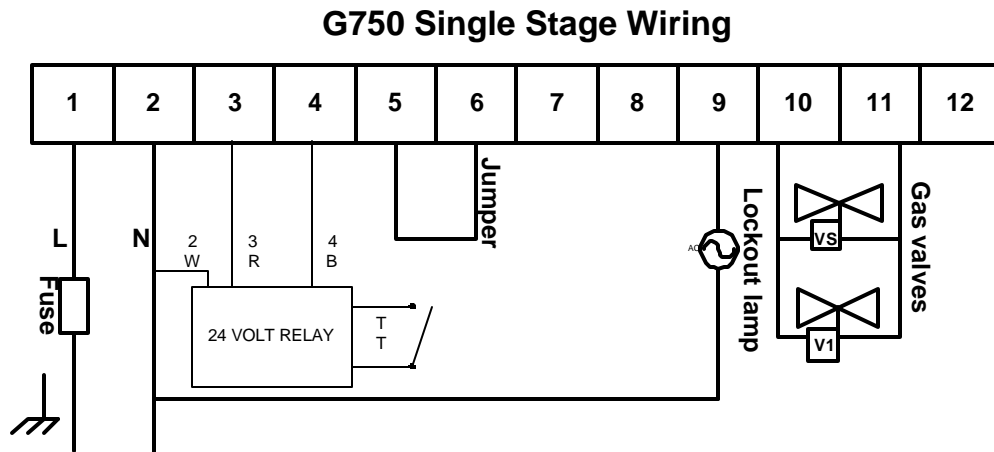
First stage firing is controlled by a 120V operating control wired between terminals 3 and 4 on the terminal block. To control second stage fire on demand only, a second 120V operator must be wired between terminals 7 and 8 after removing the factory-installed jumper. See diagram below.



## 24V CONTROL SYSTEM

First Stage firing is controlled by a 24V switching relay wired as shown in the diagram at right. The required 24V operating controls must be wired between the thermostat terminals on the 24V switching relay. .

**NOTE:** If an external electrical source is utilized, the conversion burner, when installed, must be electrically grounded with a solid green wire to Earth Ground, in accordance with local codes or, in the absence of local codes, with the National Electrical Code ANSI/NFPA 70-1990 and the CSA Electrical Code.



## INSTALLATION OF SEDIMENT TRAP AND BURNER SUPPLY

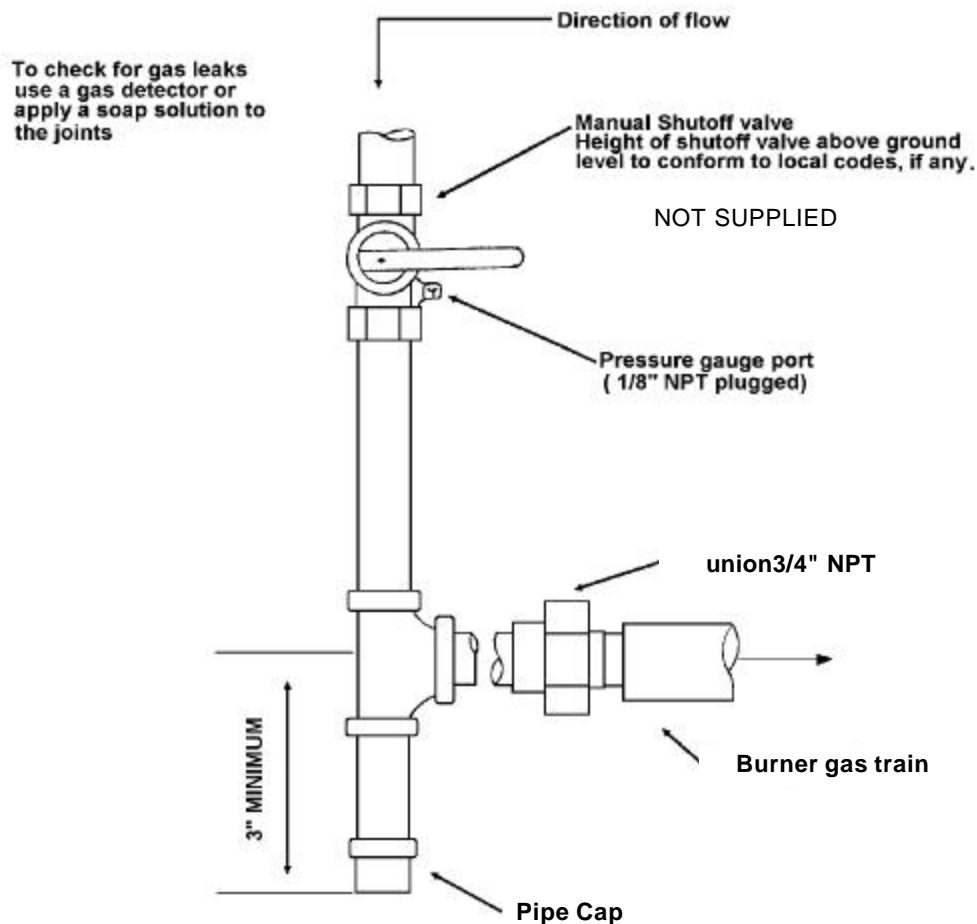
Gas piping supply should be installed according to local gas supplier authorities.

### PRESSURE TEST-OVER 1/2 PSIG.

The appliance and its individual shutoff valve must be disconnected from the gas supply piping system during any pressure testing of the system at a test pressure in excess of 1/2 PSIG.

### PRESSURE TEST-1/2 PSIG OR LESS

The appliance must be isolated from the gas supply piping system by closing its individual manual shutoff valve during any testing of the gas supply piping system at test pressures equal to or less than 1/2 PSIG.



---

---

## **OPERATING FAULTS**

---

---

The integrated control system is self-checking. The cycle from start up to stability requires 66 seconds.

The burner will go into lockout under the following circumstances:

- a) Flame failure
- b) The ionization probe is grounded
- c) Opening of the air pressure switch
- d) The burner shuts down if gas pressure switch (if used) opens because of insufficient gas pressure in the supply lines.

During operation, if overheating occurs, shut off the manual gas valve to the appliance. Do NOT shut off the electric switch to the circulating pump or blower fan.

### **SHUT DOWN PROCEDURE**

Switch off electrical power to the unit. Close the manual supply gas valve.

### **START UP PROCEDURE**

Turn on electrical power to the unit, check operation. Turn on the manual gas supply valve. Check for leaks. Reset the burner safety control.

---

---

## **PROBLEM SOLVING GUIDE**

---

---

Burner starting difficulties and their causes:

- 1) The burner goes to lockout after the prepurge period because the flame does not ignite.
  - a) Air has not been fully evacuated from the gas lines.
  - b) The gas valve is passing too little gas.
  - c) The ignition spark is irregular or not present.
  - d) The gas valve is defective.
- 2) The burner does not start when there is a call for heat.
  - a) The air pressure switch has failed to return to n.c. contacts.
  - b) There is no gas, or insufficient pressure in the supply lines to activate the optional gas pressure switch (if used).
  - c) There is a blown buss fuse behind the terminal strip.
  - d) The burner has gone off on safety.
  - e) The low voltage contacts or the low voltage relay are defective.
- 3) The burner does not go through prepurge, ignition is established, the burner fires for 2 seconds, then goes to lockout.
  - a) The air pressure switch does not change from normally closed to normally open contacts. This condition exists due to insufficient pressure in the air tube. Moving the firing head towards zero (0) on the stop gate will rectify this problem.
- 4) The burner goes through prepurge, ignition is established, the burner fires for 2 seconds, then goes to lockout.
  - a) The flame rectification rod (flame rod) has shorted to ground or is defective.
  - b) Polarity is reversed or the earth ground is not properly connected.
  - c) The ionization current is weak (lower than 5 micro-amps).
  - d) there is interference from the ignition transformer. To correct this problem, reverse the primary leads #14 and #16 in the control box sub-base.



---

---

## **OWNER INFORMATION AND ROUTINE MAINTENANCE**

---

### **SAFETY LOCKOUT**

This burner is equipped with multiple interlocking safety devices. In the event of a failure in the flame, or any blockage of the combustion air supply, the burner will “lock out” in a safety condition. In such an event, an illuminated red button will show on the front of the red cover. To restart the burner, press the button once only. Should the burner return to the lock out condition, call a qualified service technician or your gas company for assistance. In the case of loss of pressure in the gas supply line, the burner will go off on safety. If supplied with an optional gas pressure switch (or field installed), the burner will simply switch off on low gas pressure, and start up again when the gas pressure returns to normal.

NOTE: Keep the area around the burner free and clear of all combustible materials, gasoline and other flammable vapors and liquids. Do not allow any obstruction to the free flow of air to the burner.

### **MAINTENANCE**

Like all precision equipment, your burner will require periodic maintenance. At an interval of 2 months, you should:

- 1) If your boiler/furnace has an observation port, visually check the flame.
- 2) Check and clean the air intake louver to remove any buildup of fluff, dust, pet hair, etc.

For any maintenance or repairs over and above those listed, contact your service technician or gas company. **THERE ARE NO OWNER SERVICEABLE PARTS INSIDE THE RED COVER.**

Once a year, you should have the burner checked as indicated below, by your local authorized Riello dealer.

- 1) Check burner distributor head and mixing plates. Clean if necessary.
- 2) Check ignition electrode. Clean or replace as necessary.
- 3) Check the flame sensor rod (ionization rod) for dirt or carbon buildup.
- 4) Check manifold gas pressure
- 5) Check all mixing adjustments.
- 6) Generally clean all exposed parts and components.
- 7) Repeat combustion tests.

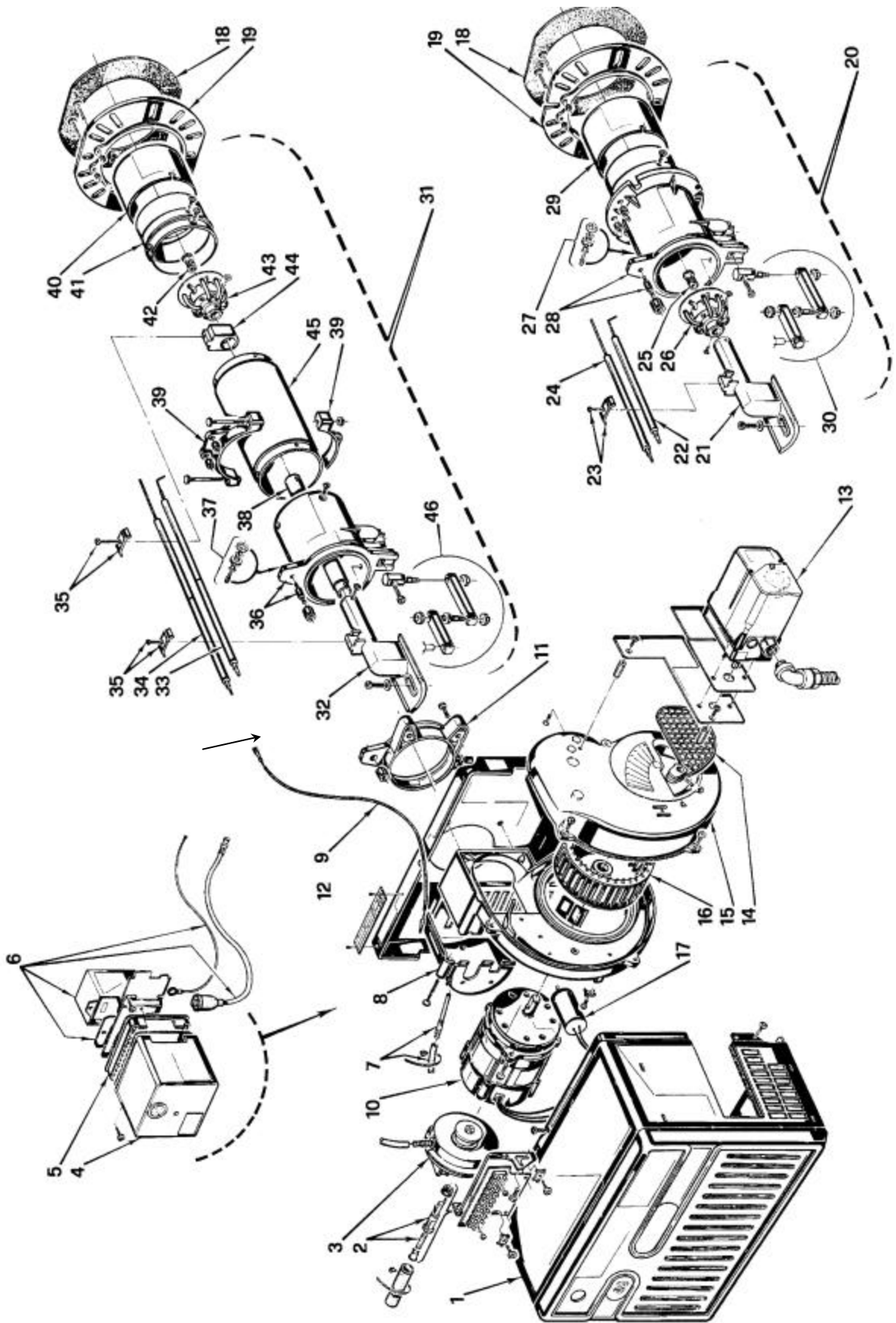
**RECOMMENDATION:** Once a year you should have your burner checked as indicated above, by a qualified Service Technician.

Your Riello 40 gas burner is only part of your heating system. Once every year you should also have the complete system checked and cleaned by a qualified Service Technician.

## GAS 750 SPARE PART LIST

SPARE PARTS		GAS BURNER SYSTEM RIELLO 40 G750			REVISED: 10/01
NO	SPARE PARTS CODE	DESCRIPTION	NO	SPARE PARTS CODE	DESCRIPTION
1	3007522	Burner back cover	20	3950471	<b>Short combustion head (280T1)</b>
2	C7020002	Fuse 6.25A	21	3006697	Drawer assembly elbow
3	C7020008	Air Switch	22	3006706	Electrode assembly
4	3001163	Primary control Box 509S/E	23	3007265	Electrode and ionization clamp
5	3002256	Control Box Sub Base	24	3006709	Ionization assembly
6	3007948	Transformer - Ignition	25	3006703	Natural gas orifice
6A	3002461	Transformer-High Voltage Lead	26	3006700	Distributor head and mixing plate
7	3007288	Air Switch Tube & Connector	27	3005447	Gas test point
8	3007294	Air Plate Cover	28	3007525	Manifold
9	3007311	Ionization lead	29	3006694	End cone
10	3005845	Burner Motor	30	3000870	Hinge assembly
11	3006689	Chassis Mounting Collar	31	3950472	<b>Long combustion head (280T2)</b>
12	3007522	Chassis Front Plate	32	3006697	Drawer assembly elbow
13	3007523	Air Damper Motor G900 Only	33	3006962	Electrode assembly
14	3007421	Air Damper Plate G900 Only	34	3006961	Ionization assembly
14	3007206	Manual Air Shutter G750	35	3003409	Electrode & ionization clamp
15	3007211	Air Intake Housing	36	3007526	Manifold
16	3005799	Fan	37	3005447	Gas test point
17	3007307	Capacitor 20?F	38	3007313	Natural Gas Tube
18	3005852	Mounting gasket	39	3005849	Semi-flange 2 required
19	3005851	Universal mounting flange	40	3006694	End cone
			41	3007283	Combustion Head Connector
			42	3006703	Natural gas orifice
			43	3006700	Distributor head and mixing plate
			44	3007314	Electrode support
			45	3007286	Air tube -long
			47	3000870	Hinge assembly

# GAS 750 EXPLODED PARTS VIEW



35 Pond Park Rd.  
Hingham, MA 02043  
Phone: 781-749-8292  
Toll Free: 800-992-7637  
Fax: 781-740-2069



2165 Meadowpine Blvd.  
Mississauga, On L5H 3R2  
Phone: 905-542-0303  
Toll Free: 800-387-3898  
Fax: 905-542-1525

## BURNER START- UP FORM \*

Burner S/N. or Model:	_____	Appliance:	_____
Installer name:	_____		
Company:	_____	Installation date:	_____
Address:	_____		
Phone:	_____	Fax:	_____
Owner Name:	_____		
Address:	_____		
Phone:	_____	E-mail:	_____

<b><u>Burner Start-up Info (OIL)</u></b>			
Nozzle Info:	_____		
Pump Pressure:	_____		
Air Setting:	Turbulator setting: _____		
Draft Overfire:	Draft breech: _____		
CO <sub>2</sub> :	CO: O <sub>2</sub> :		
_____	_____ _____		
Smoke density:	(Bacharach)		
Single Line:	<input type="checkbox"/>	Two Lines:	<input type="checkbox"/>

<b><u>Burner Start-up Info (GAS)</u></b>	
Gas Supply Pressure:	_____
Pump pressure:	_____
Air Setting:	Head Setting: _____
Draft Overfire:	Draft breech: _____
CO <sub>2</sub> :	CO: O <sub>2</sub> :
_____	_____ _____
Manifold pressure:	_____
Ionization Reading (µAd.c.):	Input BTU/Hr: _____

\* This form was designed and provided in the installation manual for reference and also for providing technical information, which can be faxed or mailed to our technical hot-line coordinator when technical assistance is required. Please complete this form, fax it or mail it at the address/fax above, or send an e-mail with the information listed below to:  
techservices@riellocanada.com



35 Pond Park Road  
Hingham, MA 02043  
Phone 781-749-8292  
Toll Free 800-992-7637  
Fax 781-740-2069

[www.riellousa.com](http://www.riellousa.com)

2165 Meadowpine Blvd  
Mississauga, ON L5N 6H6  
Phone 905-542-0303  
Toll Free 800-387-3898  
Fax 905-542-1525

[www.riellocanada.com](http://www.riellocanada.com)

Technical Support Hotline  
1-800-4-RIELLO  
1-800-474-3556