

**PRO-SOURCE®****OWNER'S MANUAL  
Steel Pressure Tanks**

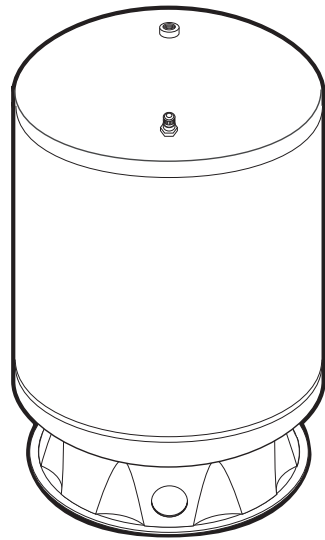
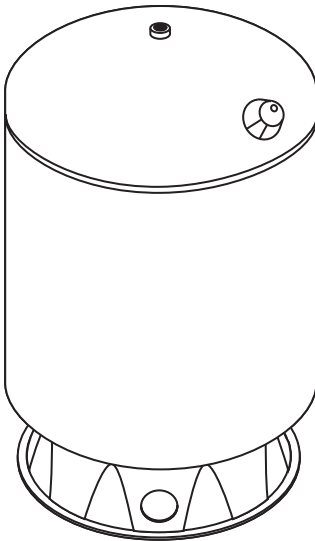
---

**MANUAL D'UTILISATION  
Réservoirs sous  
pression en acier**

---

**MANUAL DEL PROPIETARIO  
Tanques de  
presión de acero**

---

**Installation/Operation/Parts**

For further operating,  
installation, or maintenance  
assistance:

**Call 1-888-782-7483**

**English..... Pages 2-10**

**Installation/Fonctionnement/Pièces**

Pour plus de renseignements  
concernant l'utilisation,  
l'installation ou l'entretien,

**Composer le 1 (888) 782-7483**

**Français ..... Pages 11-19**


**Instalación/Operación/Piezas**


Para mayor información sobre  
el funcionamiento, instalación o  
mantenimiento de la bomba:


**Llame al 1-888-782-7483**


**Español..... Páginas 20-28**

## READ AND FOLLOW SAFETY INSTRUCTIONS!

 **This is the safety alert symbol.** When you see this symbol on your pump or in this manual, look for one of the following signal words and be alert to the potential for personal injury.

 **DANGER** warns about hazards that **will** cause serious personal injury, death or major property damage if ignored.

 **WARNING** warns about hazards that **can** cause serious personal injury, death or major property damage if ignored.

 **CAUTION** warns about hazards that **will** or **can** cause minor personal injury or property damage if ignored.


The label **NOTICE** indicates special instructions which are important but not related to hazards.

**Carefully read and follow all safety instructions in this manual and on pump.**

Keep safety labels in good condition.

Replace missing or damaged safety labels.

### California Proposition 65 Warning

 **WARNING** This product and related accessories contain chemicals known to the State of California to cause cancer, birth defects or other reproductive harm.

***TPS and TPSP series tanks are identical to PS and PSP series tanks except for color. TPS and TPSP tanks are TAN. PS and PSP tanks are BLUE. All parts are the same.***

## RULES FOR SAFE INSTALLATION AND OPERATION

Read the Owner's Manual and Rules for Safe Operation and Installation Instructions carefully. Failure to follow these Rules and Instructions could cause serious bodily injury and/or property damage.


Install system according to local codes.


Always test water from well for purity before using. Check your local health department for testing procedure.

Before installing or servicing your tank, BE SURE pump electric power source is disconnected.

BE SURE your pump electrical circuit is properly grounded.

Remove bleeder orifices, air volume controls or other air charging devices in existing system.

 **WARNING** Hazardous pressure. To prevent possible serious or fatal injury and/or damage to equipment, system pressure must be less than 100 pounds per square inch (PSI). Except for PSP50, PSP62, PSP85, PSP119 where less than 125 PSI is required. Failure to follow this instruction can result in tank blowup. If system discharge pressure can exceed listed pressures, install a relief valve capable of passing the full pump volume at listed pressures.

 **WARNING** Hazardous pressure. Read owner's manual before attempting to install, operate, or service this tank. To avoid possible equipment failure, severe injury, and property damage, do not allow pump, tank, or piping system to freeze.

**GENERAL INFORMATION**

All tanks are factory pre-charged with air. When installing tank, adjust pre-charge to 2 PSI below pump cut-in pressure setting. To do this, bleed or add air through valve on top of tank.

**NOTICE:** Transport and install tank in vertical position ONLY!

**NOTICE:** Always set pre-charge with NO WATER in tank.

Check pressure frequently with an accurate tire pressure gauge until correct pressure has been reached. For correct pre-charge pressure settings, see Chart 1, below.

**CHART 1**

Pressure Switch Setting	Tank Precharge (PSI)
20-40 PSI	18
30-50 PSI	28
40-60 PSI	38

**Tank Pre-charge Settings for use with PENTEK INTELLIDRIVE Variable Frequency Drives**

Set the pressure tank's pre-charge to 70% of the system operating pressure. When using an external set point as well as an internal set point, pre-charge the tank to 70% of the lower set point of the two. Some applications may require a different percentage when figuring the set point. Refer to your PENTEK INTELLIDRIVE operator's manual for additional information.

**NOTICE:** Replace and tighten air valve cap if it is removed for any reason. Failure to replace air cap may allow loss of air pressure and eventually lead to tank waterlogging and water cell failure.

Pre-charged storage tanks can be connected together to increase the supply of usable water (drawdown). Two tanks of the same size will double the supply and three tanks will triple the supply. See Figures No. 1A and 1B for typical installations of this kind.

**OPERATING CYCLE**

1. Tank nearly empty – air expands filling area above vinyl water cell (Fig. 2A).
2. Water begins to enter tank – air is compressed above water cell as it fills with water (Fig. 2B).
3. Pump-up cycle completed – air now compressed to cut off setting of pressure switch (Fig. 2C).

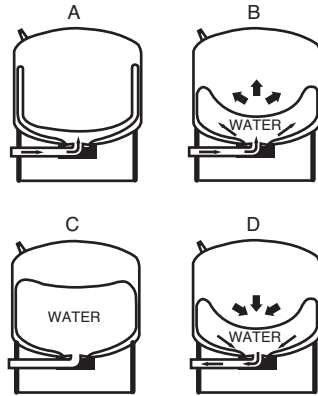


Figure 2

**CHART II – Water Yield Per Pump Cycle (drawdown) in Gallons**

Pro Source (Plus) Model	Pressure Switch Setting (PSI)		
	20-40	30-50	40-60
PS6-S02	2.2	1.8	1.6
PS6H-S05	2.2	1.8	1.6
PS(P)19S-T02	6.9	5.8	5.0
PS(P)19T-T02	6.9	5.8	5.0
PS19H-S00	6.9	5.8	5.0
PS(P)32-T03	11.6	9.8	8.5
PS(P)35-T05	12.7	10.7	9.3
PS(P)50-T50	18.3	15.5	13.4
PS(P)62-T51	21.4	18.3	16.0
PS(P)85-T52	30.0	26.0	22.0
PS(P)119-TR50	41.3	35.4	31.0

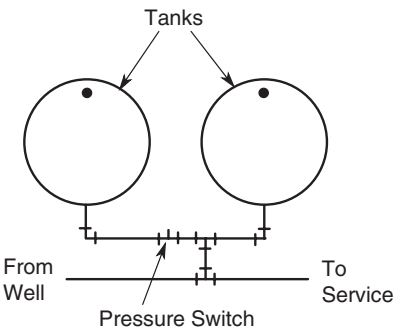


Figure 1A

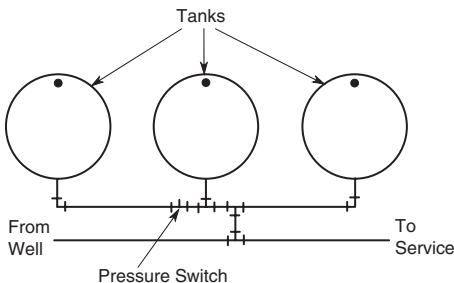


Figure 1B

4. Water being drawn from tank – compressed tank air forces water out of water cell (Fig. 2D).
5. Water cell completely empty – new cycle ready to begin (Fig. 2A).

Connect system pipe to tank flange. Use plastic or steel pipe as required. To prevent leaks, use PTFE pipe thread sealant tape on male threads of all threaded connections to tank.

**NOTICE:** To be sure that joint is not cross-threaded and that threads are clean, always make connections by hand (without sealer) first. After making sure that threads are clean, remove pipe, add PTFE pipe thread sealant tape, and remake connection. Tighten by hand first; finish with pipe wrench for tight seal.

**NOTICE:** When replacing a standard tank in a submersible pump system, raise pump and discharge pipe far enough to remove bleeder orifices in discharge pipe and plug tees. When replacing a standard tank in a jet pump system, remove Air Volume Control (AVC) and plug AVC port in pump.

In areas where the temperature is high for long periods of time, the tank pre-charge pressure may increase. This may reduce the tank drawdown (amount of water available per cycle). If this occurs, reduce the pre-charge pressure to two PSI below the pump cut-in setting of the pressure switch.

It is necessary to flush all air out of the piping system and water reservoir portion of the pre-charged tank. This is required on new installations, pumps requiring repriming and pumps that have been disassembled for service. Do this as follows:

1. Open faucets furthest from tank and allow pump to operate.
2. Air in the system will cause a sputtering flow; allow faucets to run until you have a steady, air free stream.
3. Open and close faucets repeatedly until you are sure all air has been removed.

4. If stream does not become steady, air may be leaking into the system; check for leaks in the piping on the suction side of the pump.

### TO CHECK TANK AIR CHARGE

If drawdown (amount of water that comes out of tank per pump cycle) decreases significantly, check as follows:

1. To check air charge in tank, shut off electric power to pump, open faucet near tank, and drain completely.
2. At the air valve in top of tank, check air pressure with a standard tire gauge. Air pressure should be 2 PSI below pump pressure switch cut-in setting.
3. If the air pressure is more than 2 PSI below the cut-in setting, add air to the tank. Use an air compressor or a portable air storage tank.
4. Use soap or liquid detergent to check for air leaks around air valve. Continuous bubbling indicates a leak. If necessary, install new core in air valve. This is the same as those used for automobile tubeless tires.

### TO CHECK PUMP PRESSURE SWITCH SETTING

1. To check pressure switch setting, disconnect power to pump at supply panel (but be sure to leave pressure switch connected to power supply wires).
2. Remove pressure switch cover.
3. Open a faucet near tank.
4. Bleed pressure down until pressure switch contacts close; immediately close faucet.
5. Check pressure at valve with standard tire gauge or with pump pressure gauge (if supplied).
6. Pressure gauge should read 2 PSI below pump cut-in setting (28 PSI for 30-50 switch, 18 PSI for 20-40 switch, etc.) If not:

## SPECIFICATIONS

Pro Source (Plus) Model	Maximum Capacity U.S. Gallons	Tank Diameter	Tank Height	Tank Discharge Tapping
PS6-S02	6	12"	16-1/8"	3/4"
PS6H-S05	6	12"	16-1/8"*	3/4"
PS(P)19S-T02	19	20"	22"	1"
PS(P)19T-T02	19	16"	27-1/2"	1"
PS19H-S00	19	16"	24-5/8"*	1"
PS(P)32-T03	32	16"	42-3/4"	1"
PS(P)35-T05	35	20"	32-3/4"	1"
PS(P)50-T50	50	24"	32-1/2"	1-1/4"
PS(P)62-T51	62	24"	39-1/8"	1-1/4"
PS(P)85-T52	85	24"	50-1/2"	1-1/4"
PS(P)119-TR50	119	24"	68"	1-1/4"

\* Tank length if Model No. has "H" suffix.

- Adjust switch according to switch manufacturer's instructions.
  - Reconnect power supply to pump and pump up pressure in system.
  - Disconnect power supply to pump again and re-check switch setting.
  - Repeat until pressure switch starts pump within  $\pm 1$  PSI of proper setting.
  - If cut-in setting is too low, system will rattle or develop water hammer when pump starts.
  - Cut-out setting is not as critical as cut-in setting. Make sure that pump will stop running in a reasonable time. If it does not, cut-out setting may need to be adjusted down slightly. Be sure that after readjustment, system does not rattle or hammer on startup.
7. Re-check tank air pre-charge to be sure it is 2 PSI below pump pressure switch cut-in setting (see Page 3).

## TESTING FOR WATER CELL LEAKAGE

1. Disconnect power to pump.
2. Drain all water from tank water cell by opening faucet closest to tank.
3. Remove valve cap from valve and release all pressure possible by depressing valve core. When air stops coming from valve, remove valve core to release remaining pressure.
4. Disconnect piping from elbow on tank flange.
5. Carefully turn tank upside down or lay it on its side.

**⚠ WARNING** Retained water in tank may cause sudden weight shift when lowering. Support tank so that it cannot fall when being lowered or inverted.

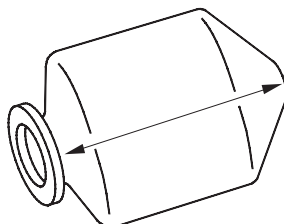
6. If water cell leaks, water will run out of valve. If so, replace water cell.

## WATER CELL REPLACEMENT

**⚠ CAUTION** To be sure cover flange cannot blow off of tank, release all air from system before removing nuts from cover flange.

1. Disconnect power to pump.
2. Follow steps 2 through 5 under "Testing For Water Cell Leakage", above.
3. Remove nuts from tank cover flange. Tap cover flange to break seal and remove.
4. Water cell will not come out in one piece. Hold water cell with pliers and cut wherever convenient with single edge razor blade or sharp knife. Continue holding and cutting until water cell is removed.
5. Clean and dry inside of tank.
6. Before water cell can be inserted into tank, it must be tightly rolled up as follows:
  - Place water cell on clean surface with opening to one end and flatten to force air out. Pull ends out flat (see Figure 3).

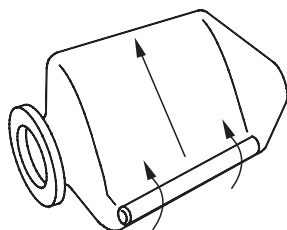
Pull ends out flat



**Figure 3 – Force all air out of water cell**

- To get tightest possible wrap, start on one side at top and TIGHTLY roll water cell diagonally to other side (see Figure 4). To force out as much air as possible, be sure to roll toward water cell neck opening.

Roll Diagonally

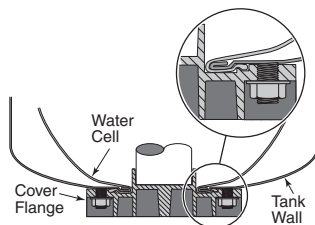


**Figure 4 – Roll diagonally toward neck**

7. To help insert water cell, sprinkle outside of it with talcum powder. With tank on its side, push tightly rolled water cell into tank, hooking water cell neck ring over edge of tank head.
8. Insert arm in water cell and push sidewalls outward. It is not necessary to remove all wrinkles from water cell.

**NOTICE:** Don't push water cell into tank further than its own length. In a large tank, water cell can slip out of reach if pushed too far.

9. Clean tank head sealing surface and lip ring groove of cover flange.
10. Pull lip ring of water cell through tank opening and seat it against tank head.
11. Clean sealing surface and groove of cover flange; place on tank (see Figure 5).



**Figure 5 – Proper installation and seating**

**NOTICE:** Be sure discharge port lines up with hole in base.

**NOTICE: Tighten nuts as follows:**

- Hand tighten all nuts.
- Tighten one nut snug.
- Tighten opposite nut snug.
- Proceed, tightening opposite pairs of nuts to a snug fit.
- Recheck all nuts, using same pattern. Be sure all nuts are tight and that you have a good seal.

**NOTICE:** Do not overtighten; you may twist studs off of tank. If you have a torque wrench, tighten to 85 inch-pounds torque.

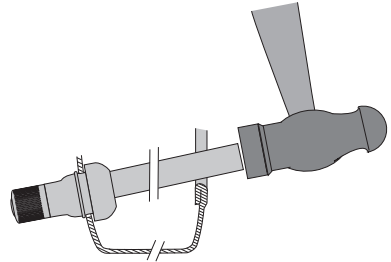
12. Stand tank on base and reconnect piping.
13. Recharge tank to proper air pressure (see Page 4).
14. Prime pump (see pump owner's manual).

## AIR VALVE REPLACEMENT (PS Models)

**▲ WARNING** Hazardous Pressure. To be sure air valve and core cannot blow out of tank, release all air pressure from tank before removing valve core or valve.

1. Disconnect power to pump.
2. Drain ALL water in system by opening faucet closest to tank.
3. Depress valve core to release ALL air pressure in tank. When air stops coming out of valve, remove core from inside of valve to release remaining pressure.
4. Push air valve back into tank. Be sure to remove it before reassembling tank.
5. Disconnect piping from tank and turn it on its side.
6. Remove flange from tank.
7. Push water cell into tank far enough so that you can get into tank with a dowel rod.
8. Soap the outside of the new valve and mount it on the end of a piece of 1/4" or 5/16" dowel rod. Push the valve up past the water cell into its mounting hole in the top of the tank. Push it through as far as it will conveniently go; leave the valve cap on to protect the threads on the valve.

9. Rap the end of the dowel sharply with a hammer to drive the valve into position. Be sure the shoulder on the valve seats against the tank head (the ridge around the valve body should be all the way through the hole in the tank head – see Figure 6).



**Figure 6 – Tap valve into place**

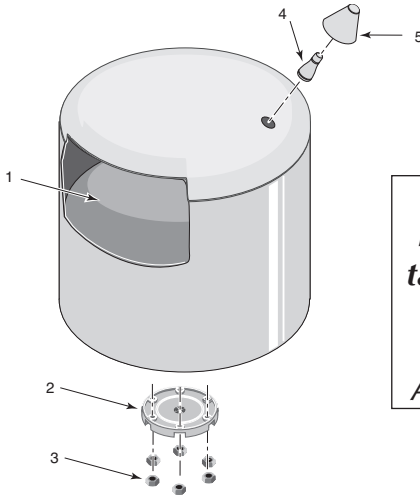
10. Remove the dowel. Make sure the old valve has been removed from the tank, pull water cell back over rim of hole in lower tank head, reinstall flange, stand tank upright and reconnect piping.
11. Recharge tank (see Page 4), turn on power, fill system, and tank is ready for service.

## AIR VALVE REPLACEMENT (PSP Models)

**▲ WARNING** Hazardous Pressure. To be sure air valve and core cannot blow out of tank, release all air pressure from tank before removing valve core or valve.

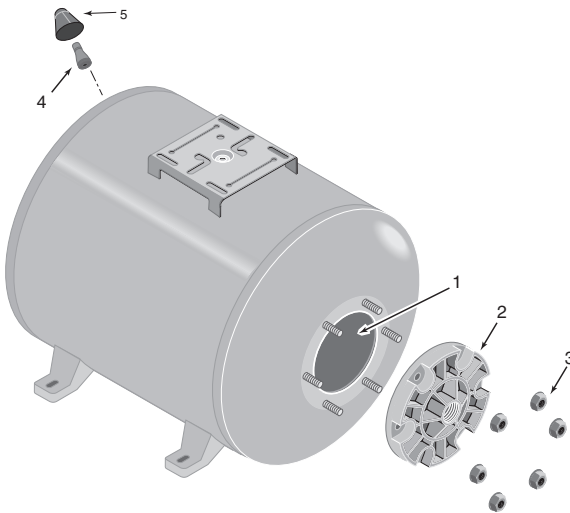
1. Disconnect power to pump.
2. Drain ALL water in system by opening faucet closest to tank.
3. Depress valve core to release ALL air pressure in tank. When air stops coming out of valve, remove core from inside of valve to release remaining pressure.
4. Unscrew valve from tank and install new valve. Do not overtighten.
5. Recharge tank (see Page 4), turn on power, fill system, and tank is ready for service.

Model PS6-S02



*TPS series tanks are identical to PS series tanks except for color. TPS tanks are TAN. PS tanks are BLUE. All parts are the same.*

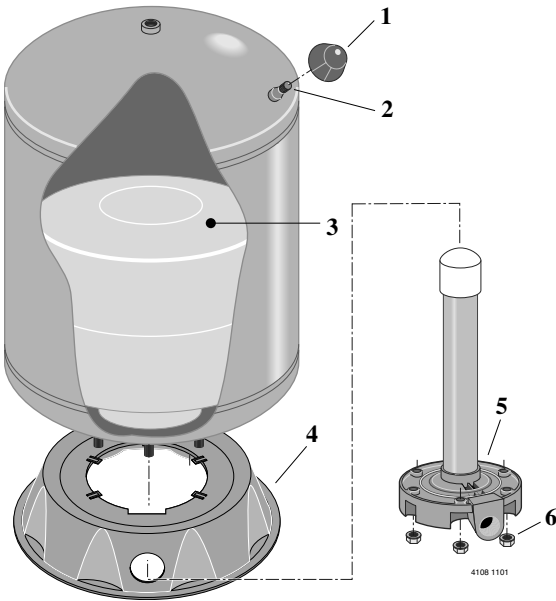
Models PS6H-S05 and PS19H-S00



**REPAIR PARTS LIST**

Key No.	Part Description	No. Used	PS6-S02 PS6H-S05 6 Gal.	PS19H-S00 19 Gal.
1	Water Cell - Vinyl	1	U20-7	U20-13
2	Cover Flange	1	U31-442P	U31-446P
3	Flanged Nut - 5/16 - 18 Hex.	6	U36-202BT	U36-202BT
4	Air Valve with Cap	1	U212-160B	U212-160B
5	Air Valve Cover	1	U31-380P	U31-380P
•	Pump Mounting Bracket	1	PKG-198-P2	PKG-198-P2

• Not Illustrated.



Models  
 PS19S-T02  
 PS19T-T02  
 PS32-T03  
 PS35-T05  
 PS50-T50  
 PS62-T51  
 PS85-T52  
 PS119-TR50

*TPS series tanks are identical to PS series tanks except for color. TPS tanks are TAN. PS tanks are BLUE. All parts are the same.*

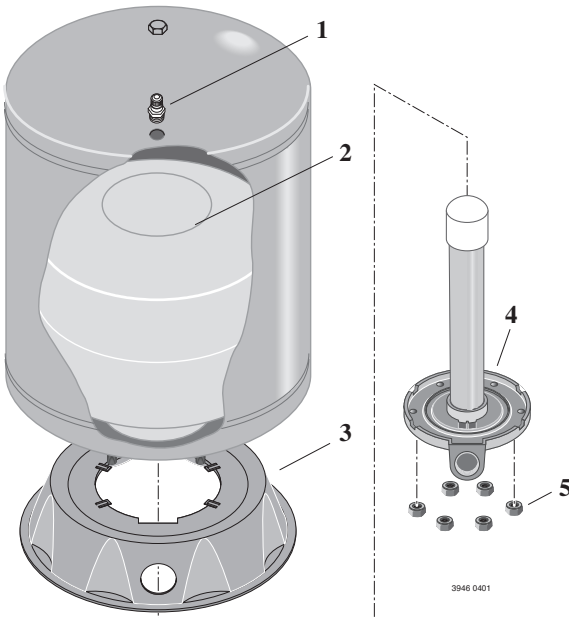
**REPAIR PARTS LIST**

Key No.	Part Description	No. Used	PS19S-T02 19 Gal.	PS19T-T02 19 Gal.	PS32-T03 32 Gal.	PS35-T05 35 Gal.
1	Air Valve Cover	1	U31-380P	U31-380P	U31-380P	U31-380P
2	Air Valve with Cap	1	U212-160B	U212-160B	U212-160B	U212-160B
3	Water Cell - Vinyl	1	U20-8	U20-15S	U20-15	U20-13L
4	Base	1	U31-505P	U31-505P	U31-505P	U31-505P
5	Cover Flange	1	U31-446P*	U231-460P	U231-461P	U231-460P
6	Flanged Nut 5/16 - 18 Hex	6	U36-202BT	U36-202BT	U36-202BT	U36-202BT
•	Pump Mounting Bracket	1	PKG-198-P2	PKG-198-P2	PKG-198-P2	PKG-198-P2

Key No.	Part Description	No. Used	PS50-T50 50 Gal.	PS62-T51 62 Gal.	PS85-T52 85 Gal.	PS119-TR50 119 Gal.
1	Air Valve Cover	1	U31-380P	U31-380P	U31-380P	U31-380P
2	Air Valve with Cap	1	U212-160B	U212-160B	U212-160B	U212-160B
3	Water Cell - Vinyl	1	U20-10	U20-14	U20-17	U20-20
4	Base	1	U31-512P	U31-512P	U31-512P	U31-512P
5	Cover Flange	1	U31-447P*	U231-482P	U231-462P	U231-462P
6	Flanged Nut 5/16 - 18 Hex	6	U36-202BT	U36-202BT	U36-202BT	U36-202BT
•	Pump Mounting Bracket	1	PKG-198-P2	PKG-198-P2	PKG-198-P2	PKG-198-P2

\* Does not require Stand Pipe. • Not Illustrated.





Models  
 PSP19S-T02  
 PSP19T-T02  
 PSP32-T03  
 PSP35-T05  
 PSP50-T50  
 PSP62-T51  
 PSP85-T52  
 PSP119-TR50

*TPSP series tanks are identical to PSP series tanks except for color. TPSP tanks are TAN. PSP tanks are BLUE. All parts are the same.*

**REPAIR PARTS LIST**

Key No.	Part Description	No. Used	PSP19S-T02 19 Gal.	PSP19T-T02 19 Gal.	PSP32-T03 32 Gal.	PSP35-T05 35 Gal.
1	Air Valve with Cap	1	U212-266	U212-266	U212-266	U212-266
2	Water cell - Vinyl	1	U20-8	U20-15S	U20-15	U20-13L
3	Base	1	U31-505P	U31-505P	U31-505P	U31-505P
4	Cover Flange	1	U31-511SS*	U231-531	U231-532	U231-531
5	Flanged Nut 5/16 - 18 Hex	6	U36-202BT	U36-202BT	U36-202BT	U36-202BT
•	Pump Mounting Bracket	1	PKG-198-P2	PKG-198-P2	PKG-198-P2	PKG-198-P2

Key No.	Part Description	No. Used	PSP50-T50 50 Gal.	PSP62-T51 62 Gal.	PSP85-T52 85 Gal.	PSP119-TR50 119 Gal.
1	Air Valve with Cap	1	U212-266	U212-266	U212-266	U212-266
2	Water cell - Vinyl	1	U20-10	U20-14	U20-17	U20-20
3	Base	1	U31-512P	U31-512P	U31-512P	U31-512P
4	Cover Flange	1	U31-510SS*	U231-534	U231-533	U231-533
5	Flanged Nut 5/16 - 18 Hex	6	U36-202BT	U36-202BT	U36-202BT	U36-202BT
•	Pump Mounting Bracket	1	PKG-198-P2	PKG-198-P2	PKG-198-P2	PKG-198-P2

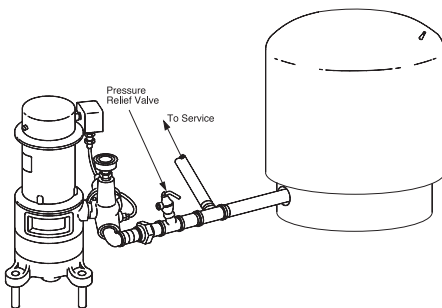
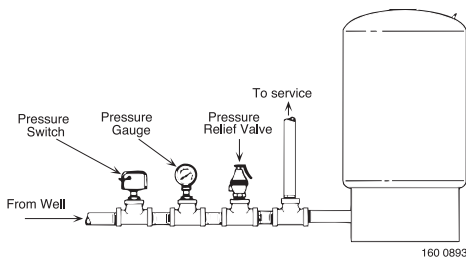
\* Does not require Stand Pipe. • Not Illustrated.

## PIPING CONNECTIONS SUBMERSIBLE AND MULTI-STAGE INSTALLATIONS

NOTICE: When using metal pipe with plastic fittings use only PTFE pipe thread sealant tape on male threads.

### Tank with Submersible Pump

### Tank with Multi-Stage Pump



#### Limited Warranty

PENTAIR warrants to the original consumer purchaser ("Purchaser" or "You") of the products listed below, that they will be free from defects in material and workmanship for the Warranty Period shown below.

Product	Warranty Period
Water Systems Products — jet pumps, small centrifugal pumps, submersible pumps and related accessories	<i>whichever occurs first:</i> 12 months from date of original installation, 18 months from date of manufacture
PENTEK INTELLIDRIVE™	12 months from date of original installation, or 18 months from date of manufacture
Pro-Source™ Composite Tanks	5 years from date of original installation
Pro-Source™ Steel Pressure Tanks	5 years from date of original installation
Pro-Source™ Epoxy-Line Tanks	3 years from date of original installation
Sump/Sewage/Effluent Products	12 months from date of original installation, or 18 months from date of manufacture

Our warranty will not apply to any product that, in our sole judgment, has been subject to negligence, misapplication, improper installation, or improper maintenance. Without limiting the foregoing, operating a three phase motor with single phase power through a phase converter will void the warranty. Note also that three phase motors must be protected by three-leg, ambient compensated, extra-quick trip overload relays of the recommended size or the warranty is void.

Your only remedy, and PENTAIR's only duty, is that PENTAIR repair or replace defective products (at PENTAIR's choice). You must pay all labor and shipping charges associated with this warranty and must request warranty service through the installing dealer as soon as a problem is discovered. No request for service will be accepted if received after the Warranty Period has expired. This warranty is not transferable.

PENTAIR IS NOT LIABLE FOR ANY CONSEQUENTIAL, INCIDENTAL, OR CONTINGENT DAMAGES WHATSOEVER.

THE FOREGOING LIMITED WARRANTIES ARE EXCLUSIVE AND IN LIEU OF ALL OTHER EXPRESS AND IMPLIED WARRANTIES, INCLUDING BUT NOT LIMITED TO IMPLIED WARRANTIES OF MERCHANTABILITY AND FITNESS FOR A PARTICULAR PURPOSE. THE FOREGOING LIMITED WARRANTIES SHALL NOT EXTEND BEYOND THE DURATION PROVIDED HEREIN.

Some states do not allow the exclusion or limitation of incidental or consequential damages or limitations on how long an implied warranty lasts, so the above limitations or exclusions may not apply to You. This warranty gives You specific legal rights and You may also have other rights which vary from state to state.

This Limited Warranty is effective June 1, 2011 and replaces all undated warranties and warranties dated before June 1, 2011.

#### PENTAIR

293 Wright St., Delavan, WI 53115  
Phone (262) 728-5551 • Fax (262) 728-7323

## Lire et observer ces consignes de sécurité!

**!** Ce symbole indique qu'il faut être prudent. Lorsqu'il apparaît sur la pompe ou dans cette notice, rechercher une des mises en garde qui suit. Elles indiquent un potentiel possible de blessures corporelles.

**▲ DANGER** avertit d'un danger qui causera des blessures corporelles graves, la mort ou même des dommages matériels importants si on l'ignore.

**▲ AVERTISSEMENT** avertit d'un danger qui risquerait de causer des blessures corporelles graves, la mort ou même des dommages matériels importants si on l'ignore.

**▲ ATTENTION** avertit d'un danger qui pourrait causer des blessures mineures ou des dommages matériels si on l'ignore.

**REMARQUE** Indique des instructions spéciales et importantes n'ayant aucun rapport avec les dangers.

**Lire attentivement et observer toutes les consignes de sécurité figurant dans cette notice et sur le produit.**

Garder les étiquettes de sécurité en bon état.

Remplacer toutes les étiquettes manquantes ou endommagées.

**Avertissement relatif à la Proposition 65 de l'État de Californie**

**▲ AVERTISSEMENT** Ce produit et les accessoires connexes contiennent des produits chimiques reconnus par l'État de Californie comme pouvant causer le cancer, des malformations congénitales ou d'autres problèmes de reproduction.

*Les réservoirs TPS et TPSP sont identiques à ceux des séries PS et PSP, sauf pour la couleur. Les réservoirs TPS et TPSP sont OCRE, alors que les réservoirs PS et PSP sont BLEUS. Toutes les pièces sont les mêmes.*

## Règles pour une installation et un fonctionnement sécuritaire

Lire attentivement la Notice d'utilisation ainsi que les Règles et les instructions pour une installation et un fonctionnement en toute sécurité. Ne pas respecter ces règles et instructions peut entraîner des blessures corporelles graves et/ou des dommages matériels. L'installation du système doit être conforme aux codes de la municipalité.

Toujours analyser l'eau du puits avant de l'utiliser pour s'assurer de sa pureté. Consulter le service de santé de la municipalité concernant les méthodes d'analyse.

Avant d'installer ou de réparer le réservoir, S'ASSURER que le courant électrique alimentant la pompe est coupé. S'ASSURER que le circuit électrique de la pompe est correctement mis à la terre.

Déposer les orifices de purge, les régulateurs de débit d'air et tous les dispositifs de charge d'air du système existant.

**▲ AVERTISSEMENT** Risque d'explosion. Pour éviter tout risque de blessures graves ou mortelles et pour ne pas endommager le matériel, la pression du système doit toujours être inférieure à 100 livres au pouce carré (lb/po<sup>2</sup>), sauf pour les modèles PSP50, PSP62, PSP85 ET PSP119 dont la pression doit toujours être inférieure à 125 lb/po<sup>2</sup>. Ne pas respecter cette recommandation risque de causer l'explosion du réservoir. Si la pression de refoulement du système risque de dépasser celles indiquées, installer une soupape de décharge pouvant laisser passer tout le volume de la pompe, conformément aux pressions indiquées.

**▲ AVERTISSEMENT** Pression dangereuse. Avant d'essayer d'installer, d'utiliser ou de réparer ce réservoir, lire toute la notice d'utilisation. Pour que le matériel ne soit pas endommagé, pour ne pas subir de blessures corporelles graves et pour ne pas causer de dommages matériels, ne laisser geler la pompe, le réservoir, ni la tuyauterie.

## Informations générales

Avant de quitter l'usine, tous les réservoirs sont préchargés avec de l'air. Lors de l'installation d'un réservoir, corriger la précharge à 2 lb/po<sup>2</sup> sous le réglage de la pression de démarrage de la pompe. Pour cela, chasser de l'air du réservoir ou en ajouter par la valve logée en haut du réservoir.

**REMARQUE :** NE PAS transporter le réservoir et l'installer UNIQUEMENT en position verticale.

**REMARQUE :** Toujours régler la précharge alors que le réservoir NE CONTIENT PAS D'EAU.

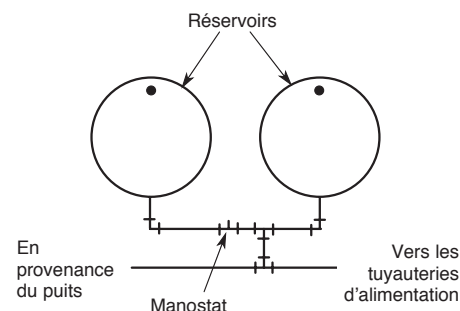
Vérifier fréquemment la pression avec un manomètre pour pneus précis jusqu'à ce que la bonne pression soit obtenue. Pour les bons réglages de la pression de précharge, se reporter au Tableau 1 ci-dessous.

Réglage du manostat	Précharge du réservoir (lb/po <sup>2</sup> )
20-40 (lb/po <sup>2</sup> )	18
30-50 (lb/po <sup>2</sup> )	28
40-60 (lb/po <sup>2</sup> )	38

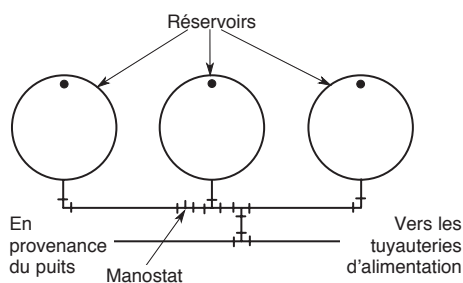
**TABEAU 1**

### Réglages de précharge des réservoirs avec lesquels un mécanisme d'entraînement à fréquence variable PENTEK INTELLIDRIVE est utilisé

Régler la pression des réservoirs préchargés à 70 % de la pression de fonctionnement du système. Lorsqu'on utilise un point de réglage externe de même qu'un point de réglage interne, précharger le réservoir à 70 % du point de réglage plus des deux. Certaines utilisations peuvent nécessiter un pourcentage différent au moment de déterminer le point de réglage. Pour de plus amples renseignements, se reporter à Notice d'utilisation du PENTEK INTELLIDRIVE.



**Figure 1A**



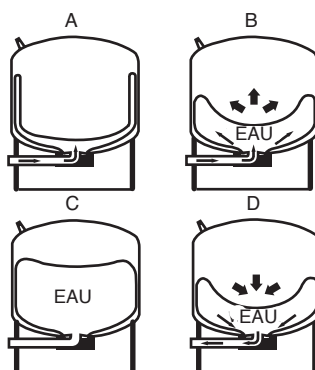
**Figure 1B**

**REMARQUE :** Si le bouchon de la valve a été déposé, le reposer et le serrer. Ne pas reposer le bouchon de la valve peut causer une perte de pression d'air et, ultimement, la pénétration d'eau dans le réservoir et une défaillance de la vessie.

Les réservoirs de stockage préchargés peuvent être branchés en série pour obtenir un plus grand volume d'eau utilisable. Deux réservoirs de même diamètre doubleront l'approvisionnement et trois réservoirs le tripleront. Voir les Figures 1A et 1B pour les installations types de ce genre.

### Cycles de fonctionnement :

1. Le réservoir est presque vide – l'air se dilate et remplit la zone entourant la vessie d'eau en vinyle (Figure 2A).
2. L'eau commence à remplir le réservoir – au fur et à mesure que le réservoir se remplit d'eau, l'air entourant la vessie se comprime (Figure 2B).
3. Le cycle de pompage est terminé – l'air comprimé entourant la vessie a atteint le réglage de coupure du pressostat (Figure 2C).



**Figure 2**

**TABEAU II – Production d'eau par cycle de la pompe en gallons**

Pro Source Modèle	Pro Source Plus Modèle	Réglage du manostat (lb/po <sup>2</sup> )		
		20-40	30-50	40-60
PS6-S02	-	2,2	1,8	1,6
PS6H-S05	-	2,2	1,8	1,6
PS19S-T02	PSP19S-T02	6,9	5,8	5,0
PS19T-T02	PSP19T-T02	6,9	5,8	5,0
PS19H-S00	-	6,9	5,8	5,0
PS32-T03	PSP32-T03	11,6	9,8	8,5
PS35-T05	PSP35-T05	12,7	10,7	9,3
PS50-T50	PSP50-T50	18,3	15,5	13,4
PS62-T51	PSP62-T51	21,4	18,3	16,0
PS85-T52	PSP85-T52	30,0	26,0	22,0
PS119-TR50	PSP119-TR50	41,3	35,4	31,0

4. L'eau est tirée du réservoir – l'air comprimé entourant la vessie force l'eau à sortir du réservoir (Figure 2D).
5. Le réservoir est maintenant vide – un nouveau cycle est prêt à commencer (Figure 2A).

Brancher le tuyau du système sur la bride du réservoir. Des tuyaux en plastique ou en acier peuvent être utilisés. Pour empêcher toute fuite, envelopper de ruban d'étanchéité pour joints filetés PTFE les filets mâles de tous les raccords filetés effectués sur le réservoir.

**REMARQUE :** Pour s'assurer que le joint n'est pas faussé et que les filets sont propres, toujours visser les raccords à la main (sans produit d'étanchéité). Après s'être assuré que les filets sont propres, débrancher les tuyaux, ajouter du ruban PTFE, puis rebrancher les tuyaux en les serrant tout d'abord à la main, puis avec une clé à tuyau pour s'assurer d'obtenir un joint bien étanche.

**REMARQUE :** Lors du remplacement d'un réservoir standard dans un système de pompe submersible, soulever suffisamment la pompe et le tuyau de refoulement afin de pouvoir déposer les orifices de purge du tuyau de refoulement et les tés. Lors du remplacement d'un réservoir standard dans un système de pompe à éjecteur, déposer le régulateur de volume d'air de la pompe, puis boucher son orifice.

Dans les régions où la température est élevée pendant longtemps, la pression de précharge dans le réservoir peut augmenter, ce qui risque de réduire la quantité d'eau disponible par cycle du réservoir. Dans ce cas, diminuer la pression de précharge de deux livres au pouce carré (2 lb/po<sup>2</sup>) sous le réglage de la pression de démarrage du pressostat de la pompe.

Dans le cas des installations neuves, des pompes devant être réamorçées et des pompes ayant été démontées pour le service, tout l'air devra être chassé de la tuyauterie et de la partie réservoir d'eau du réservoir préchargé. Pour cela, procéder comme suit :

1. Ouvrir les robinets les plus éloignés du réservoir et laisser la pompe fonctionner.
2. L'air dans le système provoquera des projections; laisser les robinets ouverts jusqu'à obtenir un jet continu ne contenant pas d'air.
3. Ouvrir et fermer les robinets de façon répétitive jusqu'à ce que tout l'air soit chassé.
4. Si le jet d'eau ne se stabilise pas, le système aspire peut-être de l'air; vérifier s'il y a des fuites dans la tuyauterie côté aspiration de la pompe.

## Pour vérifier la charge d'air du réservoir

Si le soutirage (la quantité d'eau obtenue du réservoir par cycle de fonctionnement de la pompe) diminue considérablement, vérifier ce qui suit :

1. Avant de vérifier la charge d'air dans le réservoir, couper le courant alimentant la pompe, ouvrir un robinet se trouvant à proximité du réservoir et complètement vider le réservoir.
2. Brancher un manomètre pour pneus standard sur la valve du réservoir et vérifier la pression d'air. Elle doit être de 2 lb/po<sup>2</sup> inférieures à la pression à laquelle le pressostat est réglé pour démarrer la pompe.
3. Si la pression de l'air est moins de 2 lb/po<sup>2</sup> sous le réglage de la pression de démarrage, ajouter de l'air dans le réservoir avec un compresseur d'air ou un réservoir d'air portable.
4. Appliquer du savon ou du détergent liquide autour de la valve pour vérifier s'il y a des fuites d'air. Des bulles indiquent une fuite. Au besoin, remplacer l'obus de la valve par un identique à ceux utilisés pour les pneus d'automobiles sans chambre à air.

## Pour vérifier la pression de réglage du manostat de la pompe

1. Pour vérifier le réglage du pressostat, couper le courant alimentant la pompe au panneau électrique (le pressostat doit rester branché sur les fils du courant électrique).
2. Déposer le couvercle du pressostat.
3. Ouvrir un robinet se trouvant à proximité du réservoir.
4. Laisser l'eau couler jusqu'à ce que les contacts du pressostat se ferment. Fermer immédiatement le robinet.
5. Avec un manomètre standard pour pneus ou de pompe (si fourni), vérifier la pression avec la valve.
6. Le manomètre doit indiquer 2 lb/po<sup>2</sup> de moins que le réglage de démarrage de la pompe (28 lb/po<sup>2</sup> pour un pressostat réglé à 30-50, 18 lb/po<sup>2</sup> pour un pressostat réglé à 20-40, etc.) Sinon :

## Caracteristiques

Pro Source Modèle	Pro Source Plus Modèle	Contenance du réservoir en litres	Diamètre du réservoir (cm)	Hauteur du réservoir (cm)	Tarudage du refoulement du réservoir (po)
PS6-S02	-	22,7	30	41	3/4
PS6H-S05	-	22,7	30	41*	3/4
PS19S-T02	PSP19S-T02	72	51	55,9	1
PS19T-T02	PSP19T-T02	72	41	69,9	1
PS19H-S00	-	72	41	62,5*	1
PS32-T03	PSP32-T03	121	41	108,6	1
PS35-T05	PSP35-T05	132,5	51	83,2	1
PS50-T50	PSP50-T50	189,3	61	82,6	1-1/4
PS62-T51	PSP62-T51	234,7	61	99,4	1-1/4
PS85-T52	PSP85-T52	321,8	61	128,3	1-1/4
PS119-TR50	PSP119-TR50	450,5	61	172,7	1-1/4

\* La longueur indiquée est celle de réservoirs horizontaux.

- A. Régler le pressostat conformément aux instructions du fabricant.
  - B. Rétablir le courant alimentant la pompe et augmenter la pression du système.
  - C. Couper à nouveau le courant alimentant la pompe, puis revérifier le réglage du pressostat.
  - D. Répéter cette opération jusqu'à ce que le pressostat démarre la pompe à  $\pm 1 \text{ lb/po}^2$  du réglage approprié.
  - E. Si le réglage de démarrage est trop bas, le système vibrera ou produira des coups de bélier lorsque la pompe démarrera.
  - F. Le réglage d'arrêt n'est pas aussi important que le réglage de démarrage. S'assurer que la pompe s'arrête de fonctionner dans un délai raisonnable, sinon le réglage d'arrêt devra être réglé légèrement plus bas. Après un réglage, s'assurer que le système ne vibre pas et ne produit pas de coups de bélier au démarrage.
7. Vérifier la précharge d'air du réservoir pour s'assurer qu'elle se situe bien à  $2 \text{ lb/po}^2$  sous le réglage d'arrêt du manostat de la pompe, (voir la Page 3).

## Recherche de fuites du diaphragme

1. Couper le courant alimentant la pompe.
2. Vider toute l'eau du réservoir en ouvrant le robinet le plus proche du réservoir.
3. Déposer le bouchon de la valve, puis purger le plus possible d'air en appuyant sur l'obus de la valve. Dès que l'air ne s'échappe plus de la valve, déposer l'obus de la valve pour dissiper le reste de pression. Débrancher la tuyauterie du système du coude de la bride du réservoir.
5. Tourner avec précaution le réservoir à l'envers ou le coucher sur son côté.

**⚠ AVERTISSEMENT** L'eau accumulée dans le réservoir peut causer un déport soudain du poids lorsqu'on baisse le réservoir. Supporter le réservoir de sorte qu'il ne puisse pas tomber quand on le baissera ou l'inversera.

6. Si la vessie d'eau fuit, l'eau sortira par la valve. Dans ce cas, remplacer la vessie.

## Remplacement du diaphragme

**⚠ ATTENTION** Pour s'assurer que la bride du couvercle ne sera pas expulsée du réservoir, dissiper toute la pression d'air dans le réservoir avant de déposer les écrous de la bride du couvercle.

1. Couper le courant alimentant la pompe.
2. Suivre les opérations 2 à 5 sous « Contrôle de fuite de la vessie d'eau », ci-dessus.
3. Déposer les écrous de la bride du couvercle du réservoir. Taper sur la bride du couvercle pour décoller le joint. Déposer la bride.
4. La vessie d'eau ne sortira pas d'un seul morceau. La saisir avec des pinces et la couper avec une lame de rasoir ou un couteau tranchant. Continuer de tenir et de couper la vessie d'eau jusqu'à ce qu'elle soit toute sortie du réservoir.
5. Nettoyer et assécher l'intérieur du réservoir.
6. Avant d'introduire une vessie d'eau neuve dans le réservoir, l'enrouler bien serrée en procédant comme suit :
  - Placer la vessie d'eau sur une surface propre, son ouverture orientée d'un côté, puis l'aplatir pour y chasser l'air. Tirer les extrémités bien à plat (voir la Figure 3).

Aplatir les extrémités

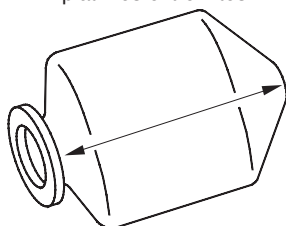


Figure 3 – Chasser l'air du diaphragme

- Pour l'enrouler le plus serré possible, commencer par un côté en haut et bien l'enrouler SERRÉE en diagonale vers l'autre côté (voir la Figure 4). Pour chasser le plus d'air possible, toujours l'enrouler vers l'ouverture de son goulot.

Enrouler diagonalement

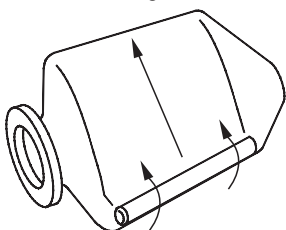


Figure 4 – Enrouler diagonalement vers le col.

7. Pour introduire plus facilement la vessie d'eau dans le réservoir, la saupoudrer de talc. Le réservoir étant couché, pousser la vessie d'eau enroulée dans le réservoir, en tenant la bague du goulot de la vessie d'eau sur le bord de la tête du réservoir.
8. Insérer le bras dans la vessie d'eau, puis écarter ses côtés. Il n'est pas nécessaire d'enlever tous les plis de la vessie d'eau.

**REMARQUE :** Ne pas pousser la vessie d'eau dans le réservoir au-delà de toute sa longueur. Dans un grand réservoir, la vessie d'eau peut tomber au fond si on la pousse trop loin.

9. Nettoyer la surface d'étanchéité de la tête du réservoir ainsi que la gorge de la bague à lèvres de la bride du couvercle.
10. Sortir la bague à lèvres de la vessie d'eau par l'ouverture du réservoir et la faire reposer contre la tête du réservoir.
11. Nettoyer la surface d'étanchéité et la gorge de la bride du couvercle; la mettre sur le réservoir (voir la Figure 5).

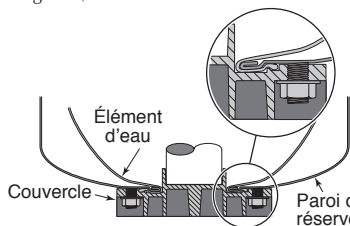


Figure 5 – Diaphragme bien posé et reposant bien

**REMARQUE :** S'assurer que l'orifice du refoulement s'aligne avec le trou de la base.

**REMARQUE :** Serrer les écrous en procédant comme suit :

- A. Les serrer tous à la main.
- B. Serrer ensuite fermement un écrou.
- C. Puis serrer fermement l'écrou opposé.
- D. Serrer les écrous opposés par paire pour obtenir un ajustement serré.
- E. Vérifier le serrage de tous les écrous en procédant de la même manière. S'assurer qu'ils sont tous bien serrés et que le joint est bien étanche.

**REMARQUE :** Ne pas serrer les écrous exagérément, sinon les tiges filetées risquent de sortir du réservoir. Si l'on possède une bonne clé dynamométrique, serrer les écrous au couple de 85 lb-po.

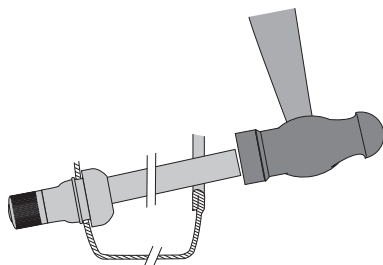
12. Remettre le réservoir à la verticale. Rebrancher les tuyaux.
13. Recharger le réservoir conformément à la bonne pression d'air (voir la page 4).
14. Amorcer la pompe (se reporter à la Notice d'utilisation de la pompe).

## Remplacement de la valve d'air (Modèles PS)

**⚠ AVERTISSEMENT** Pression d'air dangereuse. Pour s'assurer que la valve et que l'obus de la valve ne soient pas éjectés du réservoir, dissiper toute la pression d'air du réservoir avant de déposer l'obus de la valve ou la valve.

1. Couper le courant alimentant la pompe.
2. Vider TOUTE l'eau du réservoir en ouvrant le robinet le plus proche du réservoir.
3. Appuyer sur l'obus de la valve pour dissiper TOUTE la pression d'air du réservoir. Dès que l'air ne s'échappe plus de la valve, déposer l'obus de la valve pour dissiper le reste de pression.
4. Pousser la valve d'air dans le réservoir. S'assurer de l'enlever avant de réassembler le réservoir.
5. Débrancher la tuyauterie du réservoir. Coucher le réservoir sur son côté.
6. Déposer la bride du réservoir.
7. Pousser suffisamment loin la vessie d'eau dans le réservoir pour accéder dans le réservoir avec un goujon.
8. Appliquer du savon à l'extérieur de la valve neuve, puis la monter sur un morceau de goujon de 1/4 de po ou de 5/16 de po. Pousser la valve au-delà de la vessie d'eau dans son trou de montage à la partie supérieure du réservoir. La pousser aussi loin que possible; laisser le bouchon sur la valve pour protéger les filets de la valve.

9. Frapper fortement l'extrémité du goujon avec un marteau pour enfoncer la valve en position. S'assurer que l'épaulement de la valve repose contre la tête du réservoir (le rebord autour du corps de la valve doit être complètement enfoncé dans le trou de la tête du réservoir – voir la Figure 6).



**Figure 6 – Robinet en place**

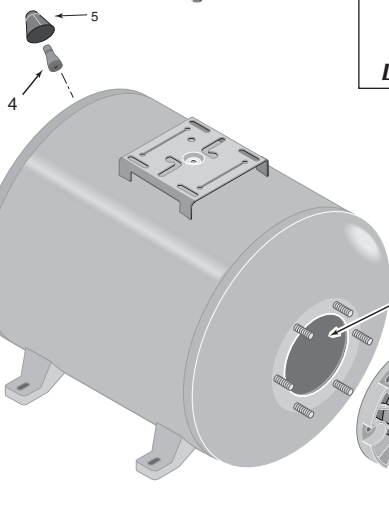
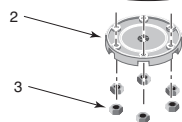
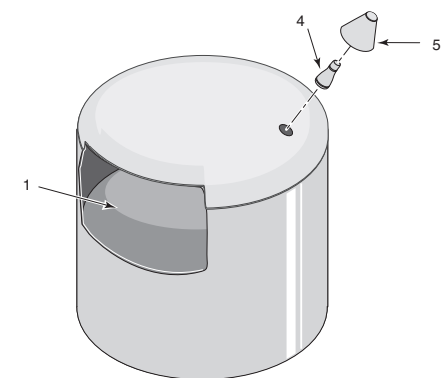
10. Déposer le goujon. S'assurer que l'ancienne valve a bien été enlevée du réservoir, puis ramener la vessie d'eau par-dessus le rebord du trou de la tête inférieure du réservoir. Reposer la bride, remettre le réservoir en position verticale. Rebrancher la tuyauterie.
11. Recharger le réservoir (voir la page 4). Établir le courant. Remplir le système. Le réservoir est prêt à fonctionner.

## Remplacement de la valve d'air (Modèles PSP)

**⚠ AVERTISSEMENT** Pression d'air dangereuse. Pour s'assurer que la valve et que l'obus de la valve ne soient pas éjectés du réservoir, dissiper toute la pression d'air du réservoir avant de déposer l'obus de la valve ou la valve.

1. Couper le courant alimentant la pompe.
2. Vider TOUTE l'eau du réservoir en ouvrant le robinet le plus proche du réservoir.
3. Appuyer sur l'obus de la valve pour dissiper TOUTE la pression d'air du réservoir. Dès que l'air ne s'échappe plus de la valve, déposer l'obus de la valve pour dissiper le reste de pression.
4. Dévisser la valve du réservoir. Poser une valve neuve. Ne pas la serrer exagérément.
5. Recharger le réservoir (voir la page 4). Établir le courant. Remplir le système. Le réservoir est prêt à fonctionner.

## Modèle PS6-S02



*Les réservoirs de la série TPS sont identiques aux réservoirs de la série PS, à l'exception de la couleur. Réservoirs TPS sont en tan. Réservoirs PS sont en bleu. Les pièces sont toutes les mêmes.*

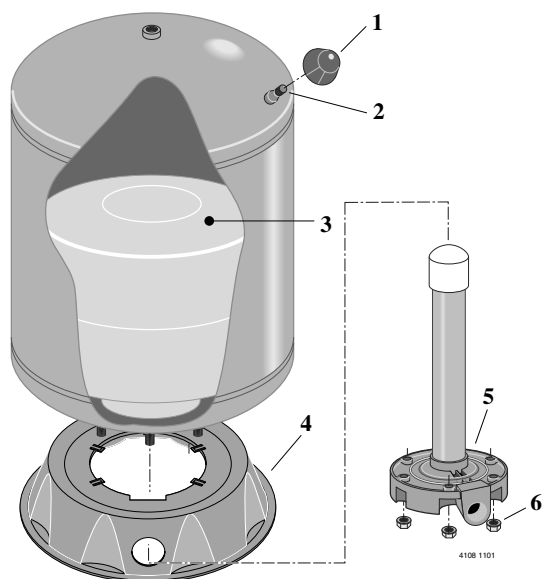
Modèles PS6H-S05  
et PS19H-S00

## Liste des pièces de rechange

Réf.	Description de la pièce	No. utilisé	PS6-S02 PS6H-S05 22,7 litres	PS19H-S00 72 litres
1	Réservoir souple - Vinyl	1	U20-7	U20-13
2	Couronne de protection	1	U31-442P	U31-446P
3	Écrou à bride - 5/16 - 18	6	U36-202BT	U36-202BT
4	Reniflard, chapeau incl.	1	U212-160B	U212-160B
5	Bouchon de valve d'air	1	U31-380P	U31-380P
•	Pompe support de montage	1	PKG-198-P2	PKG-198-P2

• Not Illustrated.





Modèles  
 PS19S-T02  
 PS19T-T02  
 PS32-T03  
 PS35-T05  
 PS50-T50  
 PS62-T51  
 PS85-T52  
 PS119-TR50

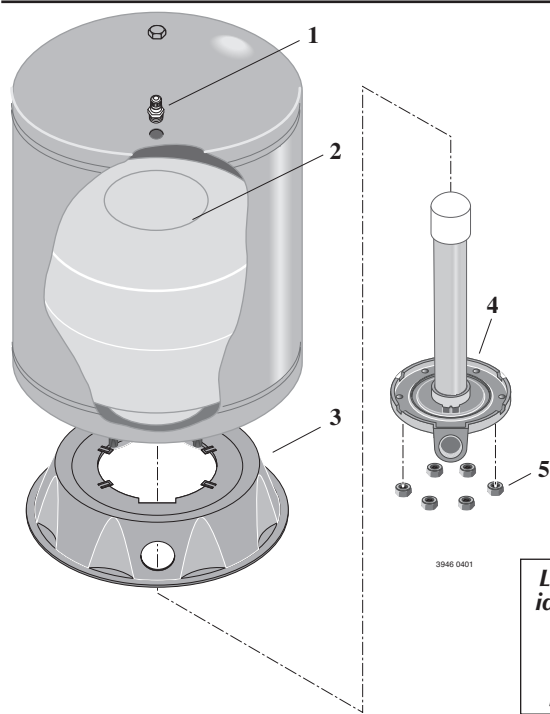
*Les réservoirs de la série TPS sont identiques aux réservoirs de la série PS, à l'exception de la couleur. Réservoirs TPS sont en tan. Réservoirs PS sont en bleu. Les pièces sont toutes les mêmes.*

## Liste des pièces de rechange

Réf.	Description de la pièce	No. utilisé	PS19S-T02 72 litres	PS19T-T02 72 litres	PS32-T03 121 litres	PS35-T05 132,5 litres
1	Bouchon de valve d'air	1	U31-380P	U31-380P	U31-380P	U31-380P
2	Reniflard, chapeau incl.	1	U212-160B	U212-160B	U212-160B	U212-160B
3	Réservoir souple - Vinyl	1	U20-8	U20-15S	U20-15	U20-13L
4	Base	1	U31-505P	U31-505P	U31-505P	U31-505P
5	Couronne de protection	1	U31-446P*	U231-460P	U231-461P	U231-460P
6	Écrou à bride - 5/16 - 18	6	U36-202BT	U36-202BT	U36-202BT	U36-202BT
•	Pompe support de montage	1	PKG-198-P2	PKG-198-P2	PKG-198-P2	PKG-198-P2

Réf.	Description de la pièce	No. utilisé	PS50-T50 189,3 litres	PS62-T51 234,7 litres	PS85-T52 321,8 litres	PS119-TR50 450,5 litres
1	Bouchon de valve d'air	1	U31-380P	U31-380P	U31-380P	U31-380P
2	Reniflard, chapeau incl.	1	U212-160B	U212-160B	U212-160B	U212-160B
3	Réservoir souple - Vinyl	1	U20-10	U20-14	U20-17	U20-20
4	Base	1	U31-512P	U31-512P	U31-512P	U31-512P
5	Couronne de protection	1	U31-447P*	U231-482P	U231-462P	U231-462P
6	Écrou à bride - 5/16 - 18	6	U36-202BT	U36-202BT	U36-202BT	U36-202BT
•	Pompe support de montage	1	PKG-198-P2	PKG-198-P2	PKG-198-P2	PKG-198-P2

\* No nécessite tuyau à pied. • Not Illustrated.



Modèles  
 PSP19S-T02  
 PSP19T-T02  
 PSP32-T03  
 PSP35-T05  
 PSP50-T50  
 PSP62-T51  
 PSP85-T52  
 PSP119-TR50

*Les réservoirs de la série TPSP sont identiques aux réservoirs de la série PSP, à l'exception de la couleur. Réservoirs TPSP sont en tan. Réservoirs PSP sont en bleu. Les pièces sont toutes les mêmes.*

### Liste des pièces de rechange

Réf.	Description de la pièce	No. utilisé	PSP19S-T02 72 litres	PSP19T-T02 72 litres	PSP32-T03 121 litres	PSP35-T05 132,5 litres
1	Reniflard, chapeau incl.	1	U212-266	U212-266	U212-266	U212-266
2	Réservoir souple - Vinyl	1	U20-8	U20-15S	U20-15	U20-13L
3	Base	1	U31-505P	U31-505P	U31-505P	U31-505P
4	Couronne de protection	1	U31-511SS*	U231-531	U231-532	U231-531
5	Écrou à bride - 5/16 - 18	6	U36-202BT	U36-202BT	U36-202BT	U36-202BT
•	Pompe support de montage	1	PKG-198-P2	PKG-198-P2	PKG-198-P2	PKG-198-P2

Réf.	Description de la pièce	No. utilisé	PSP50-T50 189,3 litres	PSP62-T51 234,7 litres	PSP85-T52 321,8 litres	PSP119-TR50 450,5 litres
1	Reniflard, chapeau incl.	1	U212-266	U212-266	U212-266	U212-266
2	Réservoir souple - Vinyl	1	U20-10	U20-14	U20-17	U20-20
3	Base	1	U31-512P	U31-512P	U31-512P	U31-512P
4	Couronne de protection	1	U31-510SS*	U231-534	U231-533	U231-533
5	Écrou à bride - 5/16 - 18	6	U36-202BT	U36-202BT	U36-202BT	U36-202BT
•	Pompe support de montage	1	PKG-198-P2	PKG-198-P2	PKG-198-P2	PKG-198-P2

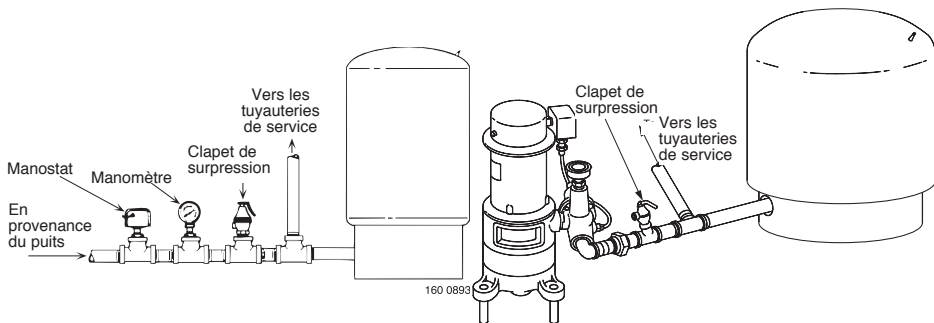
\* No nécessite tuyau à pied. • Not Illustrated.

## Raccords de tuyauterie installations submersibles et à étages multiples

**REMARQUE :** Lorsque l'on utilise des tuyaux métalliques avec des raccords en plastique, utiliser du ruban d'étanchéité en PTFE pour filetage sur les raccords de tuyaux filetés.

### Réservoir et pompe submersible

### Réservoir et pompe à étages multiples



#### Garantie limitée

PENTAIR garantit au consommateur initial (ci-après appelé l'« Acheteur ») que les produits énumérés dans les présentes sont exempts de défaut de matériau et de fabrication pendant la durée des garanties à compter de la durée des garanties indiquées ci-dessous.

Produits	Durée des garanties
Produits de systèmes d'eau — Pompes à éjecteur, petites pompes centrifuges, pompes submersibles et tous les accessoires connexes	<i>Selon le premier terme atteint :</i> 12 mois à compter de la date de la première installation ou 18 mois à compter de la date de fabrication
PENTEK INTELLIDRIVE™	12 mois à compter de la date de la première installation ou 18 mois à compter de la date de fabrication
Réservoirs composites Pro-Source™	5 ans à compter de la date de la première installation
Réservoirs sous pression en acier Pro-Source™	5 ans à compter de la date de la première installation
Réservoirs revêtus d'époxyde Pro-Source™	3 ans à compter de la date de la première installation
Produits de puisard/d'égout/d'effluents	12 mois à compter de la date de la première installation ou 18 mois à compter de la date de fabrication

Nos garanties ne s'appliquent pas aux produits ayant fait l'objet de négligence, d'une mauvaise utilisation, d'une mauvaise installation ou d'un manque d'entretien adéquat. Sans aucune limitation des présentes, la garantie des moteurs triphasés submersibles sera nulle et non avenue si ces moteurs sont branchés et fonctionnent sur le courant monophasé par l'intermédiaire d'un déphaseur. Il faut également noter que les moteurs triphasés doivent être protégés par un relais de surcharge tripolaire thermocompensé à déclenchement extrêmement rapide du calibre recommandé, sinon la garantie sera nulle et non avenue.

Le seul recours de l'Acheteur et la seule responsabilité de PENTAIR consistent à réparer ou à remplacer (au choix de PENTAIR) les produits qui se révéleraient défectueux. L'Acheteur s'engage à payer tous les frais de main-d'œuvre et d'expédition du produit couvert par sa garantie et de s'adresser au concessionnaire-installateur ayant procédé à l'installation dès qu'un problème est découvert pour obtenir un service sous garantie. Aucune demande de service en vertu de sa garantie ne sera acceptée après expiration de la durée de sa garantie. Ces garanties ne sont pas transférables.

PENTAIR DÉCLINE TOUTE RESPONSABILITÉ POUR TOUT DOMMAGE INDIRECT OU FORTUIT QUEL QU'IL SOIT.

LA GARANTIE LIMITÉE SUSMENTIONNÉE EST EXCLUSIVE ET REMPLACE TOUTES LES AUTRES GARANTIES EXPRESSES ET TACITES, Y COMPRIS, MAIS SANS S'Y LIMITER, LES GARANTIES DE QUALITÉ MARCHANDE ET D'ADAPTATION À UN USAGE PARTICULIER. LA GARANTIE LIMITÉE SUSMENTIONNÉE NE DOIT PAS ÊTRE PROLONGÉE AU-DELÀ DE LA DURÉE PRÉVUE AUX PRÉSENTES.

Certains états, territoires et certaines provinces ne permettent pas l'exclusion ou la limitation des dommages indirects ou fortuits, ni les limitations relatives à la durée des garanties tacites. Par conséquent, il se peut que les limitations ou les exclusions stipulées dans les présentes ne s'appliquent pas dans ce cas. Ces garanties accordent des droits juridiques précis, bien que l'on puisse bénéficier d'autres droits, selon la province, le territoire ou l'état dans lequel on réside.

La présente garantie limitée est entrée en vigueur le 1er juin 2011 et remplace toute garantie non datée ou antérieure à cette date.

**PENTAIR**

293 Wright St., Delavan, WI 53115

Téléphone : 1 262 728-5551 • Télécopieur : 1 262 728-7323

## ¡Lea y siga las instrucciones de seguridad!!

**⚠ Este es el símbolo de alerta de seguridad.** Cuando vea este símbolo en su bomba o en este manual, busque alguna de las siguientes palabras de advertencia y esté alerta a la posibilidad de lesiones personales:

**⚠ PELIGRO** advierte acerca de los peligros que **provocarán** lesiones personales graves, muerte o daños materiales considerables si se ignoran.

**⚠ ADVERTENCIA** advierte acerca de los peligros que **pueden** provocar lesiones personales graves, muerte o daños materiales considerables si se ignoran.

**⚠ PRECAUCIÓN** advierte acerca de los peligros que **provocarán** o **podrán** provocar lesiones personales o daños materiales menores si se ignoran.

La etiqueta **AVISO** indica instrucciones especiales que son importantes pero que no están relacionadas con los peligros.

**Lea y siga cuidadosamente todas las instrucciones de seguridad en este manual y en la bomba.**

Mantenga las etiquetas de seguridad en buen estado. Reemplace las etiquetas de seguridad faltantes o dañadas.

**Advertencia de la Proposición 65 de California**

**⚠ ADVERTENCIA** Este producto y los accesorios asociados contienen sustancias químicas que, según el Estado de California, pueden provocar cáncer, defectos de nacimiento u otros daños reproductivos.

*Los tanques de las series TPS y TPSP son idénticos a los tanques de las series PS y PSP a excepción del color.*

*Los tanques TPS y TPSP son de color TOSTADO.  
Los tanques PS y PSP son de color AZULES.  
Todas las piezas son las mismas.*

## REGLAS PARA UNA INSTALACIÓN Y OPERACIÓN SEGURAS

Es importante leer atentamente el Manual del Propietario y las Reglas para una Operación Segura e Instrucciones de Instalación. Si no se observan estas Reglas e Instrucciones, existe el riesgo de que ocurran lesiones personales y/o daños materiales graves.

Instale el sistema conforme a los códigos locales.

Siempre haga una prueba del agua del pozo para verificar su pureza antes de utilizarla.

Consulte con su departamento de salud local para recibir información sobre el procedimiento de las pruebas.

Antes de instalar o de reparar su tanque, CERCÍOARSE de que la fuente de alimentación eléctrica a la bomba esté desconectada.

CERCÍOARSE de que el circuito eléctrico a la bomba esté debidamente puesto a tierra.

Retire los orificios de purga, los reguladores de volumen de aire o cualquier otro dispositivo de carga de aire en el sistema presente.

**⚠ ADVERTENCIA** Presión peligrosa. Para evitar posibles lesiones graves o fatales y/o daños al equipo, la presión del sistema debe ser inferior a las 100 libras por pulgada cuadrada (PSI). A excepción de los modelos PSP50, PSP62, PSP85, PSP119 en donde se requiere menos de 125 PSI. Si no se observa esta instrucción, existe el riesgo de que el tanque explote. Si es posible que la presión de descarga del sistema sobrepase las presiones indicadas, instale una válvula de desahogo capaz de pasar el volumen total de la bomba a las presiones indicadas.

**⚠ ADVERTENCIA** Presión peligrosa. Lea el manual del propietario antes de tratar de instalar, operar o reparar este tanque. Para evitar una posible falla del equipo, lesiones graves y daños materiales, no permita que la bomba, el tanque o el sistema de tuberías se congelen. del equipo, lesiones graves y daños materiales, no permita que la bomba, el tanque ni el sistema de tuberías se congelen.

### Información general

Todos los tanques vienen precargados con aire de la fábrica. Cuando instale el tanque, ajuste la precarga a 2 PSI por debajo de la graduación de presión de activación de la bomba. Para hacerlo, purgue o agregue aire por la válvula en la parte superior del tanque.

**AVISO:** ¡Transporte e instale el tanque SÓLO en posición vertical!

**AVISO:** Siempre configure la precarga SIN AGUA en el tanque.

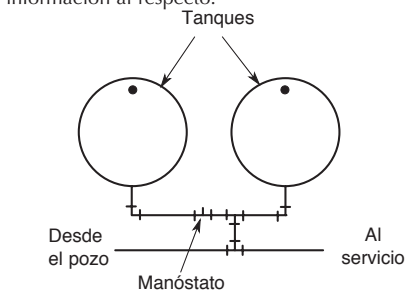
Verifique la presión frecuentemente con un manómetro para neumáticos adecuado hasta que se haya alcanzado la presión correcta. Para las graduaciones correctas de presión de precarga, consulte el Cuadro 1, a continuación.

**CUADRO I**

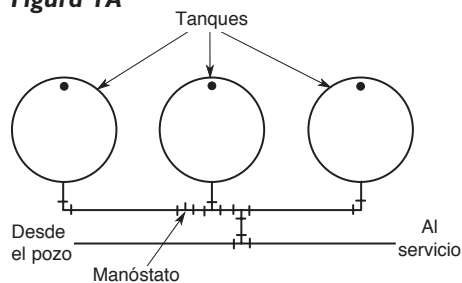
Graduación del manómetro	Precarga del tanque (psi)
20-40 PSI	18
30-50 PSI	28
40-60 PSI	38

### Graduaciones de la precarga del tanque para usar con Accionamientos de frecuencia Variable PENTEK INTELLIDRIVE

Configure la precarga del tanque de presión al 70% de la presión de operación del sistema. Cuando utilice un punto de referencia externo a la vez que un punto de referencia interno, precargue el tanque al 70% del punto de referencia más bajo de los dos. Ciertas aplicaciones pueden requerir un porcentaje diferente cuando se determine el punto de referencia. Consulte el manual del operador de PENTEK INTELLIDRIVE para obtener más información al respecto.



**Figura 1A**



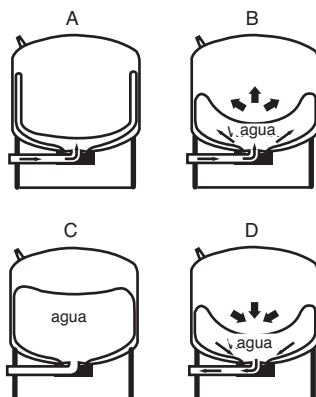
**Figura 1B**

**AVISO:** Vuelva a colocar la tapa de la válvula de aire y ajústela si se había retirado por cualquier razón. Si no se vuelve a colocar la tapa de aire, esto puede resultar en una pérdida de presión de aire y finalmente en un anegamiento del tanque y una falla de la celda de agua.

Los tanques de almacenamiento precargados se pueden conectar juntos para aumentar el suministro de agua utilizable (descenso de nivel). Dos tanques del mismo tamaño duplicarán el suministro y tres tanques lo triplicarán. Consulte las Figuras No. 1A y 1 B con instalaciones típicas de este tipo.

### Ciclo de operación

1. Tanque casi vacío - el aire se expande llenando el área por encima de la celda vinífica de agua (Fig. 2A).
2. El agua comienza a entrar al tanque - el aire se comprime por encima de la celda de agua a medida que se llena de agua (Fig. 2B).



**Figura 2**

**CUADRO II - Producción de agua por ciclo de bombeo (extracción) en galones**

Modelo del Pro Source	Modelo del Pro Source Plus	Graduación del manómetro (PSI)		
		20-40	30-50	40-60
PS6-S02	-	2.2	1.8	1.6
PS6H-S05	-	2.2	1.8	1.6
PS19S-T02	PSP19S-T02	6.9	5.8	5.0
PS19T-T02	PSP19T-T02	6.9	5.8	5.0
PS19H-S00	-	6.9	5.8	5.0
PS32-T03	PSP32-T03	11.6	9.8	8.5
PS35-T05	PSP35-T05	12.7	10.7	9.3
PS50-T50	PSP50-T50	18.3	15.5	13.4
PS62-T51	PSP62-T51	21.4	18.3	16.0
PS85-T52	PSP85-T52	30.0	26.0	22.0
PS119-TR50	PSP119-TR50	41.3	35.4	31.0

- Se ha completado el ciclo de llenado - ahora el aire está comprimido a la graduación de cierre del manóstató (Fig. 2C).
- Se está extrayendo agua del tanque - el aire comprimido en el tanque empuja el agua fuera de la celda de agua (Fig. 2D).
- La celda de agua está completamente vacía - está lista para comenzar un nuevo ciclo (Fig. 2A).

Conecte la tubería del sistema a la brida del tanque. Utilice una tubería de plástico o de acero, según sea necesario. Para evitar fugas, utilice una cinta selladora para rosas de tubería PTFE en las rosas macho de todas las conexiones rosadas al tanque.

**AVISO:** Para cerciorarse de que la junta no esté mal enroscada y que todas las rosas estén limpias, siempre haga las conexiones a mano (sin sellador) primero. Después de haberse cerciorado de que las rosas estén limpias, retire la tubería, agregue cinta selladora para rosas de tubería PTFE, y vuelva a hacer la conexión. Primero apriete a mano y termine con una llave de tuercas para sellar herméticamente.

**AVISO:** Cuando reemplace un tanque estándar en un sistema de bomba sumergible, eleve la bomba y la tubería de descarga lo suficientemente lejos como para remover los orificios de purga en la tubería de descarga y tape los tubos en T. Cuando reemplace un tanque estándar en un sistema de bomba de chorro, retire el Regulador de Control de Volumen (AVC según sus siglas en inglés) y tape la toma del AVC en la bomba.

En áreas en donde la temperatura es alta por largos periodos de tiempo, es posible que aumente la presión de precarga del tanque. Esto puede reducir el descenso de nivel del tanque (cantidad de agua disponible por ciclo). En ese caso, reduzca la presión de precarga a dos PSI por debajo de la graduación de activación del manóstató de la bomba.

Es necesario descargar todo el aire del sistema de tuberías y de la porción del depósito de agua del tanque precargado. Esto es necesario en instalaciones nuevas, con bombas que se deben volver a cebar y con bombas que se han desarmado para su reparación. Siga los pasos siguientes:

- Abra los grifos más lejanos al tanque y deje que la bomba marche.
- El aire en el sistema provocará un chisporroteo en el flujo; deje correr el agua por los grifos hasta que salga un chorro firme y sin aire.
- Abra y cierre los grifos repetidamente hasta que esté seguro de haber extraído todo el aire.

- Si el chorro no es firme, es posible que haya fugas de aire en el sistema; cerciórese de que no haya fugas en la tubería del lado de aspiración de la bomba.

## Verificación de la carga de aire del tanque

Si el descenso de nivel (cantidad de agua que sale del tanque por ciclo de la bomba) se ve reducido considerablemente, verifique lo siguiente:

- Para verificar la carga de aire en el tanque, desconecte la alimentación eléctrica a la bomba, abra un grifo cercano al tanque y drene completamente.
- En la válvula de admisión de aire en la parte superior del tanque, verifique la presión de aire con un manómetro para neumáticos estándar. La presión del aire debe ser de 2 PSI por debajo de la graduación de activación del manóstató de la bomba.
- Si la presión de aire es mayor que 2 psi por debajo de la graduación de activación, agregue aire al tanque. Utilice un compresor de aire o un tanque portátil de almacenamiento de aire.
- Utilice jabón o un detergente líquido para cerciorarse de que no haya fugas alrededor de la válvula de admisión de aire. Un burbujeo continuo indica una fuga. De ser necesario, instale una nueva válvula de admisión de aire con núcleo. Este es el mismo tipo que se utiliza para neumáticos de automóvil sin cámara de aire.

## Verificación de la graduación del manóstató de la bomba

- Para verificar la graduación del manóstató, desconecte la alimentación eléctrica a la bomba en el tablero de suministro (pero asegúrese de haber dejado el manóstató conectado a los cables de suministro de energía).
- Retire la tapa del manóstató.
- Abra un grifo cercano al tanque.
- Deje purgar la presión hasta que se cierren los contactos del manóstató; cierre el grifo inmediatamente.
- Verifique la presión en la válvula con un manómetro estándar o con un manómetro de bombas (si se ha provisto)

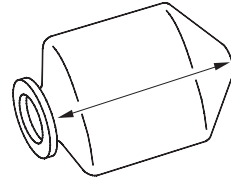
## ESPECIFICACIONES

Model del Pro Source	Model del Pro Source Plus	Máxima capacidad Galones U.S.	Diámetro del tanque	Altura del tanque	Rosca de descarga del tanque
PS6-S02	-	6	12"	16-1/8"	3/4"
PS6H-S05	-	6	12"	16-1/8**	3/4"
PS19S-T02	PSP19S-T02	19	20"	22"	1"
PS19T-T02	PSP19T-T02	19	16"	27-1/2"	1"
PS19H-S00	-	19	16"	24-5/8**	1"
PS32-T03	PSP32-T03	32	16"	42-3/4"	1"
PS35-T05	PSP35-T05	35	20"	32-3/4"	1"
PS50-T50	PSP50-T50	50	24"	32-1/2"	1-1/4"
PS62-T51	PSP62-T51	62	24"	39-1/8"	1-1/4"
PS85-T52	PSP85-T52	85	24"	50-1/2"	1-1/4"
PS119-TR50	PSP119-TR50	119	24"	68"	1-1/4"

\* Largo del tanque si el número del modelo tiene un sufijo "H".

6. La lectura del manómetro deberá ser de 2 PSI por debajo de la graduación de activación de la bomba (28 PSI para un manóstato de 30-50, 18 PSI para un manóstato de 20-40, etc.) De lo contrario:
  - A. Ajuste el manóstato conforme a las instrucciones de su fabricante.
  - B. Vuelva a conectar el suministro de energía a la bomba y suba la presión en el sistema.
  - C. Desconecte el suministro de energía a la bomba nuevamente y vuelva a inspeccionar la graduación del manóstato.
  - D. Repita estos pasos hasta que el manóstato comience a bombear dentro de  $\pm 1$  PSI de la graduación correcta.
  - E. Si la graduación de activación es demasiado baja, el sistema se agitará o se provocará un ariete hidráulico cuando la bomba comience a marchar.
  - F. La graduación de corte no es tan crítica como la graduación de activación. Asegúrese de que la bomba deje de marchar dentro de un tiempo razonable. De lo contrario, es posible que se necesite ajustar la graduación de corte ligeramente hacia abajo. Cerciórese de que después del reajuste, el sistema no se agite ni se provoque un ariete hidráulico al encenderse.
7. Vuelva a inspeccionar la precarga de aire del tanque y verifique que sea 2 PSI por debajo de la graduación de activación del manóstato de la bomba (consulte la página 3).

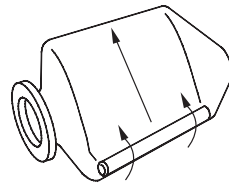
**Jalar de los extremos para aplanar**



**Figura 3 - Extraer todo el aire de la celda de agua**

- A. Coloque la celda de agua sobre una superficie limpia con la abertura hacia un extremo y aplánela para empujar el aire hacia afuera. Jale de los extremos hasta que quede plana (consulte la Figura 3).
- B. Para obtener un enrollado lo más ajustado posible, comience por un lado en la parte superior y enrolle la celda de agua EN FORMA BIEN APRETADA diagonalmente hacia el otro lado (consulte la Figura 4). Para empujar todo el aire que sea posible hacia afuera, es importante enrollar hacia la abertura del cuello de la celda de agua.

**Enrollar diagonalmente**



**Figura 4 - Enrollar diagonalmente hacia el cuello**

**Prueba de fugas en la celda de agua**

1. Desconecte la alimentación eléctrica a la bomba.
2. Drene toda el agua de la celda de agua del tanque, abriendo el grifo más cercano al tanque.
3. Retire la tapa de la válvula y libere toda la presión posible, oprimiendo el núcleo de la válvula. Cuando deje de salir aire de la válvula, saque el núcleo de la válvula para descargar la presión restante.
4. Desconecte la tubería del codo en la brida del tanque.
5. Cuidadosamente invierta el tanque o colóquelo sobre un costado.

**⚠ ADVERTENCIA** El agua que haya quedado retenida en el tanque puede provocar un cambio repentino en el peso cuando se baje. Sostenga el tanque para que no se pueda caer cuando se esté bajando o invirtiendo.

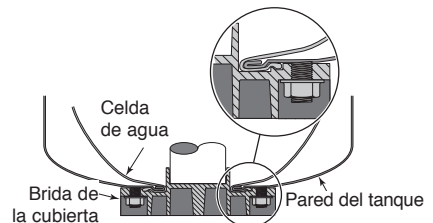
6. Si la celda de agua tiene fugas, el agua correrá fuera de la válvula. En ese caso, reemplace la celda de agua.

**Reemplazo de la celda de agua**

**⚠ PRECAUCIÓN** Para cerciorarse de que la brida de cubierta no se salga repentinamente del tanque, descargue todo el aire del sistema antes de remover las tuercas de la brida de cubierta.

1. Desconecte la alimentación eléctrica a la bomba.
2. Siga los pasos 2 al 5 de la sección de “Prueba de fugas en la celda de agua”, que precede.
3. Retire las tuercas de la brida de cubierta del tanque. Golpetee la brida de cubierta para romper el sello y sacarla.
4. La celda de agua no saldrá en una sola pieza. Sujete la celda de agua con tenazas y corte en donde sea conveniente con una hoja de afeitar de un filo o con un cuchillo afilado. Continúe sujetando y cortando hasta que haya sacado la celda de agua.
5. Limpie y seque el interior del tanque.
6. Antes de poder insertar una celda de agua en el tanque, deberá estar enrollada estrechamente, de la manera siguiente:

7. Para ayudar a insertar la celda de agua, espolvorear su exterior con talco. Con el tanque sobre un costado, empujar la celda de agua enrollada estrechamente hacia el interior del tanque, enganchando el arco del cuello de la celda de agua sobre el borde del cabezal del tanque.
  8. Introducir el brazo en la celda de agua y empujar las paredes laterales hacia afuera. No es necesario remover todas las arrugas de la celda de agua.
- AVISO:** No empujar la celda de agua en el tanque más allá de su propio largo. En un tanque grande, la celda de agua se podría resbalar y quedar fuera de alcance si se empuja demasiado hacia adentro.
9. Limpie la superficie de sellado del cabezal del tanque y la muesca del borde anular de la brida de cubierta.



**Figura 5 - Instalación y colocación correctas**

10. Jale y haga pasar el reborde anular de la celda de agua por la abertura del tanque y asíntelo contra el cabezal del tanque.

11. Limpie la superficie de sellado y la muesca de la brida de cubierta; colóquela en el tanque (consulte la Figura 5).

**AVISO:** Asegúrese de que la toma de descarga quede alineada con el orificio en la base.

**AVISO:** Apriete las tuercas de la manera siguiente:

- Apriete todas las tuercas a mano.
- Apriete bien una tuerca.
- Apriete bien la tuerca opuesta.
- Continúe apretando los pares opuestos de tuercas para que queden bien ajustadas.
- Vuelva a inspeccionar todas las tuercas, siguiendo el mismo patrón. Cerciérese de que todas las tuercas estén bien apretadas y que haya un sello hermético.

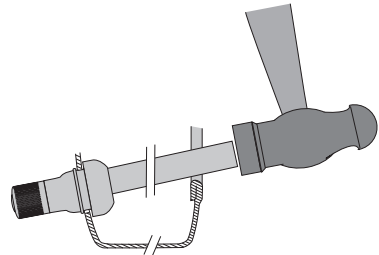
**AVISO:** No apriete demasiado ya que eso puede doblar y hacer saltar los pernos del tanque. Si tiene una llave de tuercas, apriete a una torsión de 85 pulgadas-libra.

- 12. Ponga el tanque de pie y vuelva a conectar la tubería.
- 13. Vuelva a cargar el tanque a la presión de aire correcta (consulte la página 4).
- 14. Cee la bomba (consulte el manual del propietario de la bomba).

## Reemplazo de la válvula de aire (Modelos PS)

**▲ ADVERTENCIA** Presión peligrosa. Para cerciorarse de que la válvula de aire y el núcleo no puedan salirse repentinamente del tanque, descargue toda la presión de aire del tanque antes de retirar la válvula o su núcleo.

1. Desconecte la alimentación eléctrica a la bomba.
2. Drene TODA el agua en el sistema abriendo el grifo más cercano al tanque.
3. Oprima el núcleo de la válvula para liberar TODA la presión de aire en el tanque. Cuando deje de salir aire de la válvula, retire el núcleo dentro de la misma para descargar la presión restante.
4. Empuje la válvula de aire nuevamente adentro del tanque. Asegúrese de sacarla antes de volver a ensamblar el tanque.
5. Desconecte la tubería del tanque y colóquelo sobre un costado.
6. Retire la brida del tanque.
7. Empuje la celda de agua adentro del tanque lo suficiente como para que usted pueda entrar al tanque con una varilla de espiga.
8. Enjabone el exterior de una nueva válvula y colóquela en el extremo de un trozo de varilla de espiga de 1/4" o 5/16". Empuje la válvula hacia arriba y más allá de la celda de agua por su orificio de montaje en la parte superior del tanque. Empújela a través del mismo tanto como sea conveniente; deje la tapa de la válvula colocada para proteger las roscas en la válvula.
9. Golpetee el extremo de la espiga rápidamente con un martillo para hacer encajar la válvula en la posición correcta. Asegúrese de que el hombro de la válvula quede asentado contra el cabezal del tanque (la rugosidad alrededor del cuerpo de la válvula debe pasar completamente a través del orificio en el cabezal del tanque – consulte la Figura 6).



**Figura 6 - Colocar la válvula con un golpeteo**

10. Retire la espiga. Cerciérese de que se haya removido la válvula antigua del tanque, coloque la celda de agua nuevamente por encima del reborde del orificio en el cabezal inferior del tanque, vuelva a instalar la brida, ponga el tanque de pie y vuelva a conectar la tubería.
11. Vuelva a cargar el tanque (consulte la página 4), encienda la corriente eléctrica, llene el sistema y el tanque estará listo para funcionar.

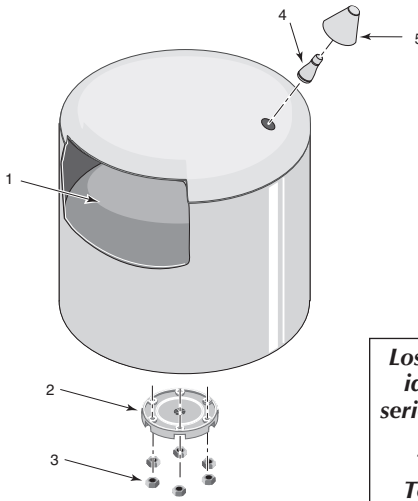
## REEMPLAZO DE LA VÁLVULA DE ADMISIÓN DE AIRE (Modelos PSP)

**▲ ADVERTENCIA** Presión peligrosa. Para cerciorarse de que la válvula de aire y el núcleo no puedan salirse repentinamente del tanque, descargue toda la presión de aire del tanque antes de retirar la válvula o su núcleo.

1. Desconecte la alimentación eléctrica a la bomba.
2. Drene TODA el agua en el sistema abriendo el grifo más cercano al tanque.
3. Oprima el núcleo de la válvula para liberar TODA la presión de aire en el tanque. Cuando deje de salir aire de la válvula, retire el núcleo dentro de la misma para descargar la presión restante.
4. Destornille la válvula del tanque e instale una válvula nueva. No apriete demasiado.
5. Vuelva a cargar el tanque (consulte la página 4), encienda la corriente eléctrica, llene el sistema y el tanque estará listo para funcionar.

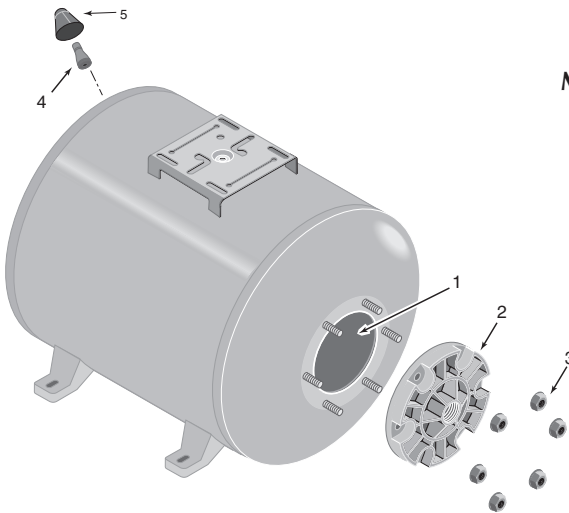


Modelo PS6-S02



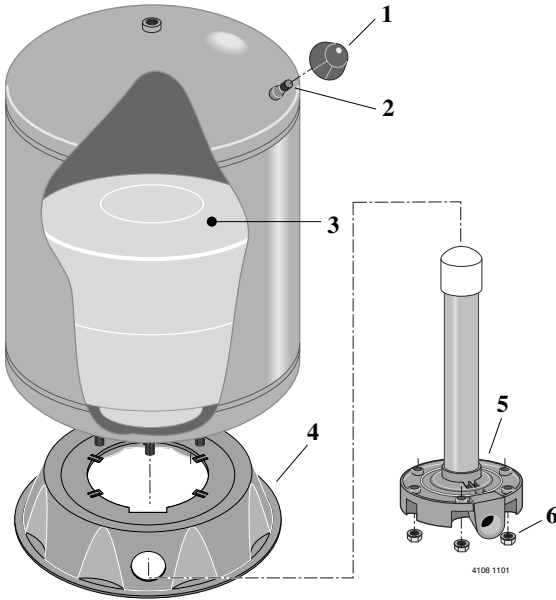
*Los tanques de la serie TPS son idénticos a los tanques de la serie PS a excepción de su color. Tanques de TPS son tan. Tanques de PS son azules. Todas las piezas son iguales.*

Modelos PS6H-S05  
y PS19H-S00



Lista de piezas de repuesto

Clave No.	Descripción de la pieza	Cant. utilizada	PS6-S02 PS6H-S05 6 Gal.	PS19H-S00 19 Gal.
1	Celda de agua - vinilo	1	U20-7	U20-13
2	Brida de la cubierta	1	U31-442P	U31-446P
3	Tuerca de reborde - 5/16 - 18 Hex.	6	U36-202BT	U36-202BT
4	Válvula de aire con tapa	1	U212-160B	U212-160B
5	Cubierta de la válvula de aire	1	U31-380P	U31-380P
•	Pump Mounting Bracket	1	PKG-198-P2	PKG-198-P2



Modelos  
 PS19S-T02  
 PS19T-T02  
 PS32-T03  
 PS35-T05  
 PS50-T50  
 PS62-T51  
 PS85-T52  
 PS119-TR50

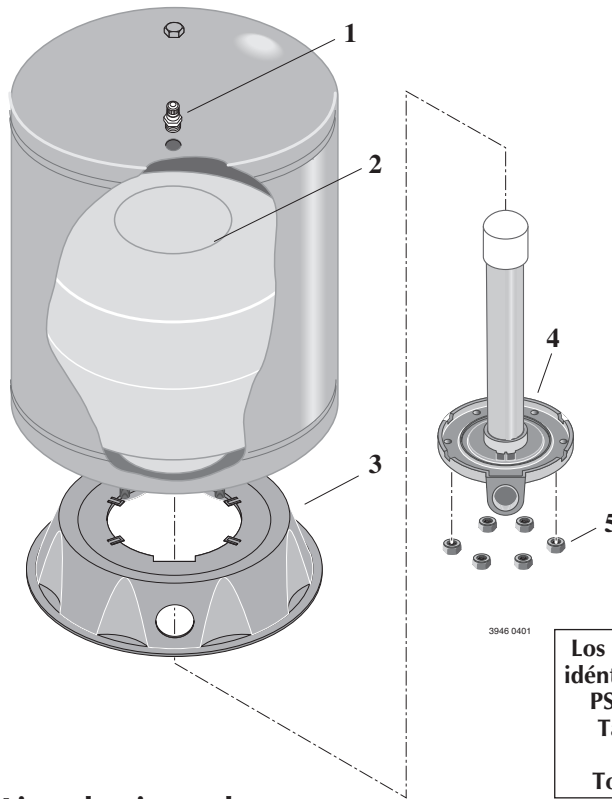
Los tanques de las series TPS y TPSP son idénticos a los tanques de las series PS y PSP a excepción del color. Los tanques TPS y TPSP son de color TOSTADO. Los tanques PS y PSP son AZULES.  
 Todas las piezas son las mismas.

Lista de piezas de repuesto

Clave No.	Descripción de la pieza	Cantidad usada	PS19S-T02 19 Galones	PS19T-T02 19 Galones	PS32-T03 32 Galones	PS35-T05 35 Galones
1	Cubierta de la válvula de aire	1	U31-380P	U31-380P	U31-380P	U31-380P
2	Válvula de aire con tapa	1	U212-160B	U212-160B	U212-160B	U212-160B
3	Celda de agua - vinilo	1	U20-8	U20-15S	U20-15	U20-13L
4	Base	1	U31-505P	U31-505P	U31-505P	U31-505P
5	Brida de la cubierta	1	U31-446P*	U231-460P	U231-461P	U231-460P
6	Tuerca de reborde 5/16 - 18 Hex	6	U36-202BT	U36-202BT	U36-202BT	U36-202BT
•	Bomba soporte de montaje	1	PKG-198-P2	PKG-198-P2	PKG-198-P2	PKG-198-P2

Clave No.	Descripción de la pieza	Cantidad usada	PS50-T50 50 Galones	PS62-T51 62 Galones	PS85-T52 85 Galones	PS119-TR50 119 Galones
1	Cubierta de la válvula de aire	1	U31-380P	U31-380P	U31-380P	U31-380P
2	Válvula de aire con tapa	1	U212-160B	U212-160B	U212-160B	U212-160B
3	Celda de agua - vinilo	1	U20-10	U20-14	U20-17	U20-20
4	Base	1	U31-512P	U31-512P	U31-512P	U31-512P
5	Brida de la cubierta	1	U31-447P*	U231-482P	U231-462P	U231-462P
6	Tuerca de reborde 5/16 - 18 Hex	6	U36-202BT	U36-202BT	U36-202BT	U36-202BT
•	Bomba soporte de montaje	1	PKG-198-P2	PKG-198-P2	PKG-198-P2	PKG-198-P2

\* No requiere Tubería Vertical. • Not Illustrated.



Modelos  
**PSP19S-T02**  
**PSP19T-T02**  
**PSP32-T03**  
**PSP35-T05**  
**PSP50-T50**  
**PSP62-T51**  
**PSP85-T52**  
**PSP119-TR50**

Los tanques de la serie TPSP son idénticos a los tanques de la serie PSP a excepción de su color.  
 Tanques de TPS son azules.  
 Tanques de TPS son tan.  
 Todas las piezas son iguales.

**Lista de piezas de repuesto**

Clave No.	Descripción del repuesto	Cantidad usada	PS19S-T02 19 Galones	PS19T-T02 19 Galones	PS32-T03 32 Galones	PS35-T05 35 Galones
1	Válvula de aire con tapa	1	U212-266	U212-266	U212-266	U212-266
2	Celda de agua - vinilo	1	U20-8	U20-15S	U20-15	U20-13L
3	Base	1	U31-505P	U31-505P	U31-505P	U31-505P
4	Brida de la cubierta	1	U31-446P*	U231-460P	U231-461P	U231-460P
5	Tuerca de reborde 5/16 - 18 Hex	6	U36-202BT	U36-202BT	U36-202BT	U36-202BT
•	Bomba soporte de montaje	1	PKG-198-P2	PKG-198-P2	PKG-198-P2	PKG-198-P2

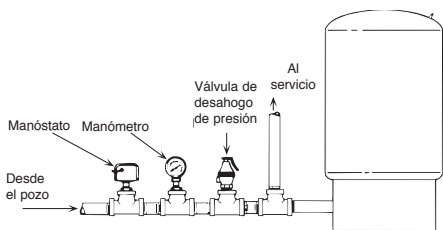
Clave No.	Descripción del repuesto	Cantidad usada	PS50-T50 50 Galones	PS62-T51 62 Galones	PS85-T52 85 Galones	PS119-TR50 119 Galones
1	Válvula de aire con tapa	1	U212-266	U212-266	U212-266	U212-266
2	Celda de agua - vinilo	1	U20-10	U20-14	U20-17	U20-20
3	Base	1	U31-512P	U31-512P	U31-512P	U31-512P
4	Brida de la cubierta	1	U31-510SS*	U231-534	U231-533	U231-533
5	Tuerca de reborde 5/16 - 18 Hex	6	U36-202BT	U36-202BT	U36-202BT	U36-202BT
•	Bomba soporte de montaje	1	PKG-198-P2	PKG-198-P2	PKG-198-P2	PKG-198-P2

\* No requiere Tubería Vertical. • Not Illustrated.

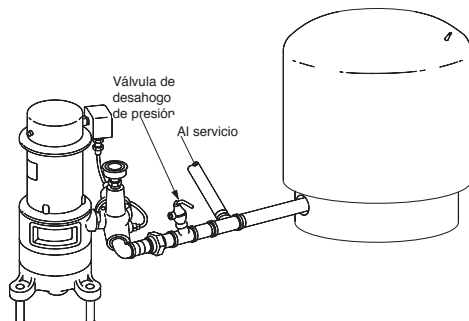
## Conexiones de tubería Instalaciones sumergibles y de etapas múltiples

NOTA: Cuando use tubos de metal con accesorios de plástico, use sólo cinta selladora de PTFE para roscas de tubería en las roscas macho.

### Tanque con bomba sumergible



### Tanque con bomba de etapas múltiples



#### Garantía limitada

PENTAIR le garantiza al comprador/consumidor original ("Comprador" o "Usted") de los productos enumerados abajo, que estos estarán libres de defectos en material y mano de obra durante el Período de Garantía indicado a continuación.

Producto	Período de garantía
Productos de sistemas de agua — bombas de chorro, pequeñas bombas centrífugas, bombas sumergibles y accesorios asociados	<i>lo que ocurra primero:</i> 12 meses desde la fecha de la instalación inicial, o 18 meses desde la fecha de fabricación
PENTEK INTELLIDRIVE™	12 meses desde la fecha de la instalación inicial, o 18 meses desde la fecha de fabricación
Tanques de compuesto Pro-Source™	5 años desde la fecha de la instalación inicial
Tanques a presión de acero Pro-Source™	5 años desde la fecha de la instalación inicial
Tanques con revestimiento epoxídico Pro-Source™	3 años desde la fecha de la instalación inicial
Productos para sumideros/aguas residuales/efluente	12 meses desde la fecha de la instalación inicial, o 18 meses desde la fecha de fabricación

Nuestra garantía no se aplicará a ningún producto que, a nuestro sólo juicio, haya sido sometido a negligencia, mal uso, instalación inadecuada o mal mantenimiento. Sin perjuicio a lo que antecede, la garantía quedará anulada en el caso en que un motor trifásico se haya usado con una fuente de alimentación monofásica, a través de un convertidor de fase. Es importante indicar que los motores trifásicos deben estar protegidos por relés de sobrecarga de disparo extra-rápido, con compensación ambiental de tres etapas, del tamaño recomendado, de lo contrario, la garantía quedará anulada.

Su único recurso, y la única obligación de PENTAIR es que PENTAIR repare o reemplace los productos defectuosos (a juicio de PENTAIR). Usted deberá pagar todos los cargos de mano de obra y de envío asociados con esta garantía y deberá solicitar el servicio bajo garantía a través del concesionario instalador tan pronto como se descubra un problema. No se aceptará ninguna solicitud de servicio bajo garantía que se reciba después del vencimiento del Período de Garantía. Esta garantía no se puede transferir.

PENTAIR NO SE HARÁ RESPONSABLE DE NINGÚN DAÑO CONSECUENTE, INCIDENTAL O CONTINGENTE.

LAS GARANTÍAS LIMITADAS QUE ANTECEDEN SON EXCLUSIVAS Y EN LUGAR DE TODA OTRA GARANTÍA EXPLÍCITA E IMPLÍCITA, INCLUYENDO, PERO SIN LIMITARSE A LAS GARANTÍAS IMPLÍCITAS DE COMERCIABILIDAD E IDONEIDAD PARA UN FIN ESPECÍFICO. LAS GARANTÍAS LIMITADAS QUE ANTECEDEN NO SE EXTENDERÁN MÁS ALLÁ DEL PERÍODO DE DURACIÓN INDICADO EN LA PRESENTE.

Algunos estados no permiten la exclusión o limitación de daños incidentales o consecuentes o de limitaciones de tiempo sobre garantías implícitas, de modo que es posible que las limitaciones o exclusiones que preceden no correspondan en su caso. Esta garantía le otorga derechos legales específicos y es posible que usted también tenga otros derechos que pueden variar de un estado al otro.

Esta Garantía Limitada entra en vigor el 1 de junio de 2011 y sustituye toda garantía sin fecha o garantía con fecha anterior al 1 de junio de 2011.

PENTAIR

293 Wright St., Delavan, WI 53115  
Teléfono (262) 728-5551 • Fax (262) 728-7323