

PART #4-2036, GREV. 1, 07/11

**FLUIDMASTER®
PRO45U FILL VALVE
INSTALLATION INSTRUCTIONS**

**LOW RESOLUTION PDF
DO NOT PRINT!**

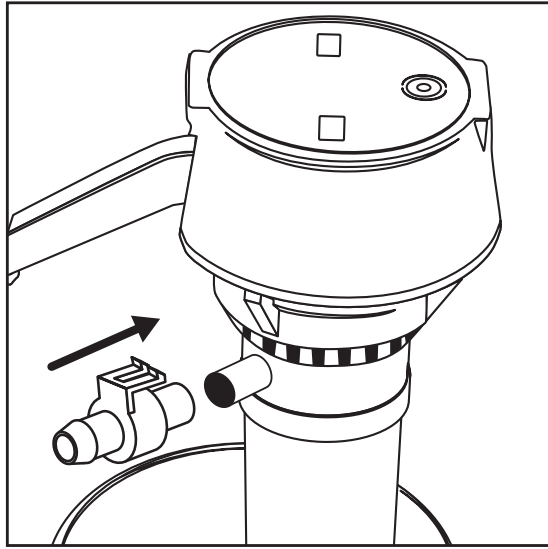


Figure 1

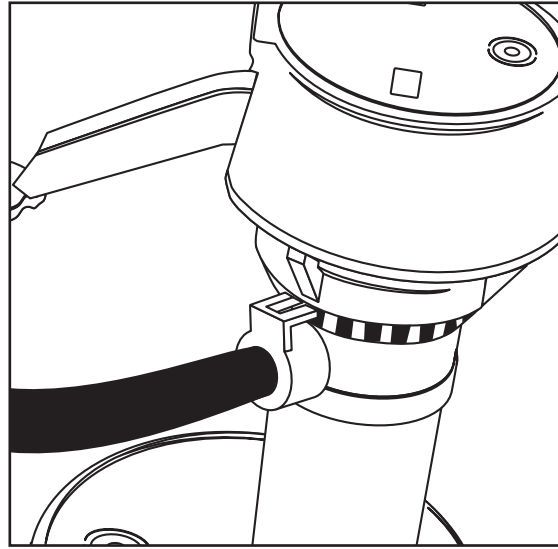
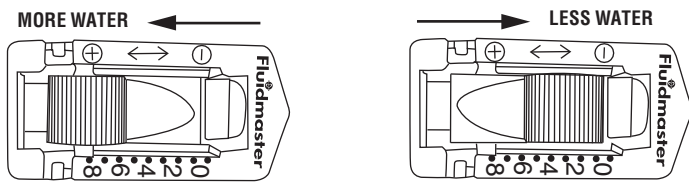


Figure 2

The PRO45U is designed to allow precise setting of the toilet tank refill rate to meet the original factory performance specifications for an optimal flush.

Select the proper insert and firmly press it into the refill port as shown in Figure 1. Be sure to press firmly on the insert until the top hooks engage as shown in Figure 2. To determine which of the six custom refill diverter inserts to use, refer to the following chart. If you do not see the toilet you are working on listed, see the box below the charts for instructions:

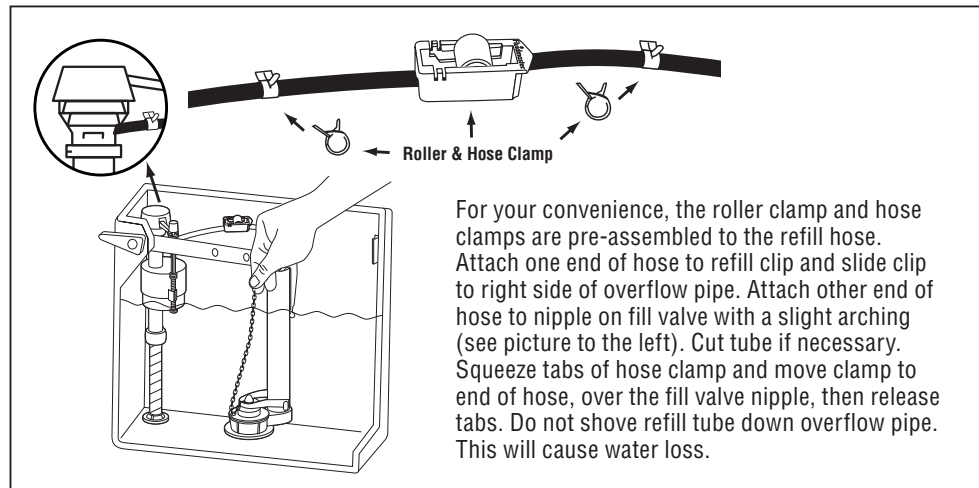


To increase water, adjust roller to the next highest number.

To decrease water, adjust roller to the next lowest number.

NOTE: Press down on roller, then adjust.

TOILET MODEL	DESCRIPTION	MODEL NUMBER	TANK MODEL NUMBER	INSERT COLOR
TOTO GMAX				
Carlyle	1 Piece	MS874114	CST874	Black
Carrollton	2 Piece	CST774	ST774	Tan
Clayton	2 Piece	CST784	ST784	Tan
Dartmouth	2 Piece	CST754	ST753	Tan
Drake	2 Piece	CST74X	ST743S	Black
Lloyd	1 Piece	MS934304	CST934	Black
Mercer	2 Piece	MS756204	ST755	Black
Nexus	2 Piece	CST794	ST794	Tan
Pacifica	2 Piece	CST804	ST804	Tan
Vespin	2 Piece	CST764	ST707	Tan
Whitney	2 Piece	CST754	ST754	Tan
Ultramax	1 Piece	MS854114	CST854	Black
TOTO POWER GRAVITY				
Bristol	1 Piece	MS866114	CST866	Black
Carolina	1 Piece	MS884114	CST884	Black
Dorian	1 Piece	MS914114	CST914	Black
Pacifica	1 Piece	MS904114	CST904	Tan
Plymouth	2 Piece	MS924154	CST924	Black
Supreme	1 Piece	MS86X11X	MS86X11X	Black
Ultimate	1 Piece	MS85X11X	MS85X11X	Black
TOTO CYCLONE				
Guinevere	1 Piece	MS974224	CST974	White
Soiree	1 Piece	MS964214	CST964	White
TOTO ECO				
Eco Drake	2 Piece	CST743E	ST743E	White
Eco Nexus	2 Piece	CST794E	ST794E	Black
Eco Supreme	1 Piece	CST863 & CST864E	CST863 & CST864E	White
Eco UltraMax	1 Piece	MS854114	CST854E	White



For your convenience, the roller clamp and hose clamps are pre-assembled to the refill hose. Attach one end of hose to refill clip and slide clip to right side of overflow pipe. Attach other end of hose to nipple on fill valve with a slight arching (see picture to the left). Cut tube if necessary. Squeeze tabs of hose clamp and move clamp to end of hose, over the fill valve nipple, then release tabs. Do not shove refill tube down overflow pipe. This will cause water loss.

TOILET MODEL	DESCRIPTION	MODEL NUMBER	TANK MODEL NUMBER	INSERT COLOR
KOHLER CLASS 5				
Archer	2 Piece	K-3517	K-4493	Gray
Bancroft	2 Piece	K-3487	K-4633	Gray
Cimarron	1 Piece	K-3489	K-3489	Gray
Cimarron	2 Piece	K-349X	K-4287	Gray
Cimarron	2 Piece	K-349X	K-4634	Gray
Devonshire	2 Piece	K-3503	K-4708	Gray
Gabrielle	1 Piece	K-3513	K-3513	Black
Highline	2 Piece	K-3611	K-4632	Gray
Memoirs	1 Piece	K-3451	K-3451	White
Memoirs	1 Piece	K-3453	K-3453	White
Memoirs	2 Piece	K-35XX	K-4491 & K-4492	White
Portrait	1 Piece	K-3506	K-3506	White
KOHLER				
Wellworth	2 Piece	K-3575	K-4436	Red
AMERICAN STANDARD				
Boulevard Dual Flush	1 Piece	2891.200		Red
Studio Dual Flush	2 Piece	2794.204	4000.204	Red
Studio Dual Flush	2 Piece	2795.204	4000.204	Red

For all other toilets, loosely insert the Tan Refill diverter insert and install the fill valve. After flushing the toilet, if the bowl appears to be full but continues to fill, use the water saving refill adjuster located on the refill tube to decrease the amount of water flowing down the overflow tube until the water level is correct. If the bowl does not fill completely to its previous level, replace the Tan insert with the Black insert. If the bowl still does not fill, replace the Black insert with the White insert. If it still continues to happen, replace the White insert with the Gray insert. If the bowl is still overflowing, replace the Gray insert with the Red insert. If there is still too much water in the bowl then replace the Red insert with the Blue insert and snap the Blue insert in place.

WARNING

DO NOT USE IN-TANK DROP-IN TOILET BOWL CLEANERS CONTAINING BLEACH OR CHLORINE. Use of such products will: (1) RESULT IN DAMAGE to tank components and MAY CAUSE FLOODING and PROPERTY DAMAGE and (2) VOID FLUIDMASTER WARRANTY. DO NOT overtighten nuts or tank/bowl may crack.

Fluidmaster Flush 'n Sparkle® Toilet Bowl Cleaning System is recommended for those choosing to use in-tank bowl cleaners and WILL NOT VOID the FLUIDMASTER WARRANTY, because it will not damage tank components.

LIMITED FIVE-YEAR EXPRESS WARRANTY

Subject to the "Exclusions" set forth below, Fluidmaster Inc. promises to the consumer to repair, or at the option of Fluidmaster Inc. to replace any part of this plumbing product which proves to be defective in workmanship or materials under normal use from the date of purchase. All costs of removal, transportation and reinstallation to obtain warranty service shall be paid by the consumer. During this "Limited Five Year Express Warranty," Fluidmaster Inc. will provide, subject to the "Exclusions" section set forth below, all replacement parts free of charge, necessary to correct such defects. This "Limited Five Year Warranty" is null and void if this plumbing product has not been installed and maintained in accordance with all written instructions accompanying the product, and if non-Fluidmaster Inc. parts are used in installation.

EXCLUSIONS: FLUIDMASTER INC. SHALL NOT BE LIABLE FOR INCIDENTAL OR CONSEQUENTIAL DAMAGES, INCLUDING COSTS OF INSTALLATION, WATER DAMAGE, PERSONAL INJURY OR FOR ANY DAMAGES RESULTING FROM ABUSE OR MISUSE OF THE PRODUCT, FROM OVERTIGHTENING; FROM USE OF NON-FLUIDMASTER COMPONENT PARTS, OR FROM FAILURE TO INSTALL OR MAINTAIN THIS PLUMBING PRODUCT IN ACCORDANCE WITH THE WRITTEN INSTRUCTIONS, INCLUDING USE OF NON-FLUIDMASTER PARTS. DO NOT USE IN-TANK DROP-IN TOILET BOWL CLEANERS CONTAINING BLEACH OR CHLORINE. USE OF SUCH PRODUCTS WILL RESULT IN DAMAGE TO TANK COMPONENTS AND MAY CAUSE FLOODING AND PROPERTY DAMAGE. USE OF SUCH PRODUCTS WILL VOID THIS WARRANTY.

Fluidmaster Inc.
30800 Rancho Viejo Road
San Juan Capistrano, CA 92675 U.S.A.
www.fluidmaster.com
1-800-631-2011