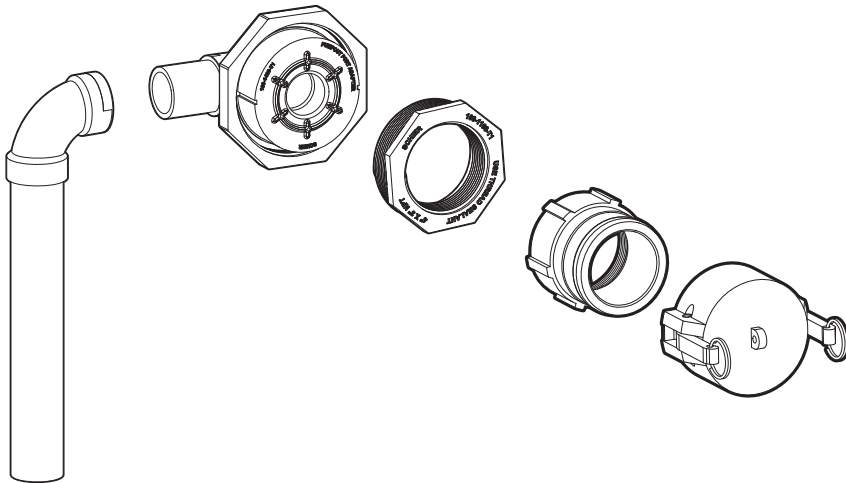

INSTALLATION GUIDE

Model #PP1 Pumpout Port Kit

For Use with Grease Interceptors Models GB1, GB2 and GB3



Contents

Special Precautions	2
Getting to Know the PP1	3
Installation Ideas	4
Installation	5-7



SCHIER
LIFETIME GUARANTEED
GREASE INTERCEPTORS

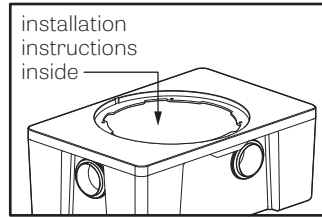


SPECIAL PRECAUTIONS

For All Schier Grease Interceptor Installations - Failure to follow this guidance voids your warranty

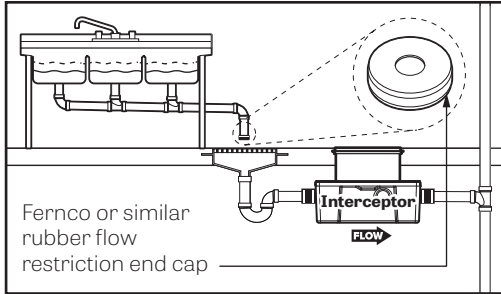
Installation Instructions

Installation instructions and additional components are included with the interceptor. Read all instructions prior to installation. This interceptor is intended to be installed by a licensed plumber in conformance with all local codes.



When Installing Interceptor Inside

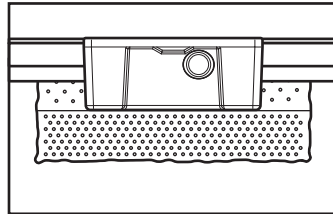
If your dishwashing sink(s) discharges into a floor drain/sink (drain), you must regulate the flow into the drain to avoid an overflow of water onto the kitchen floor. This can be done by installing a valve or flow restriction cap on the sink piping that discharges into the drain. See drawing above for guidance. For detailed guidance on indirect connections, go to:



http://webtools.schierproducts.com/Technical_Data/Indirect_Connections.pdf

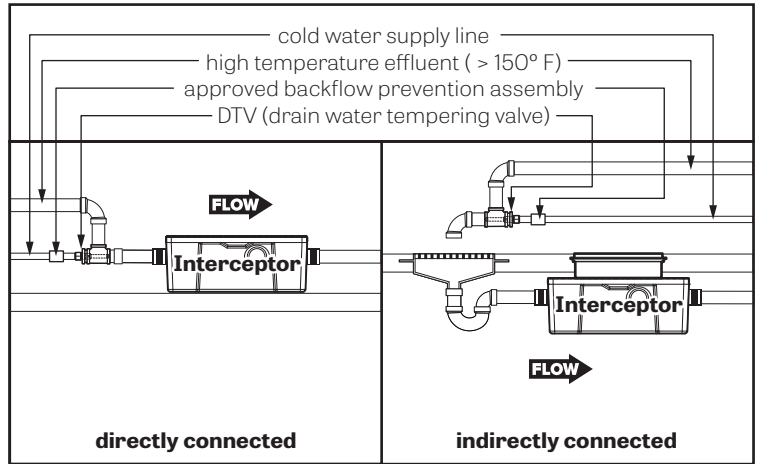
Flush-to-Grade Burials

Flush-to-Grade buried installations (without a riser) are not recommended for heavy foot traffic areas without the use of an internal support system (sold additionally).



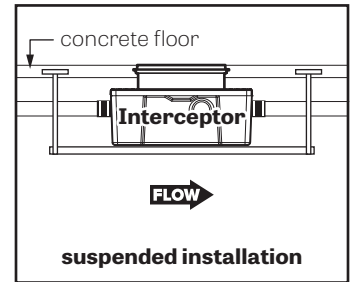
High Temperature Kitchen Water

If water is entering the interceptor at excessive temperature (over 150° F), a drain water tempering valve (DTV) and approved backflow prevention assembly must be installed. Most state and local plumbing codes prohibit water above 150° F being discharged into the sanitary sewer. Water above 150° F will weaken or deform PVC Schedule 40 pipe, poly drainage fixtures like interceptors and erode the coating of cast iron (leading to eventual failure).



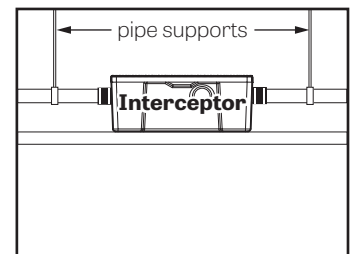
Fully Support Base of Unit

Install unit on solid, level surface in contact with the entire footprint of unit base; for suspended installations design trapeze to support the wet weight of the unit. Do not partially support unit or suspend unit using metal U-channel to create a trapeze

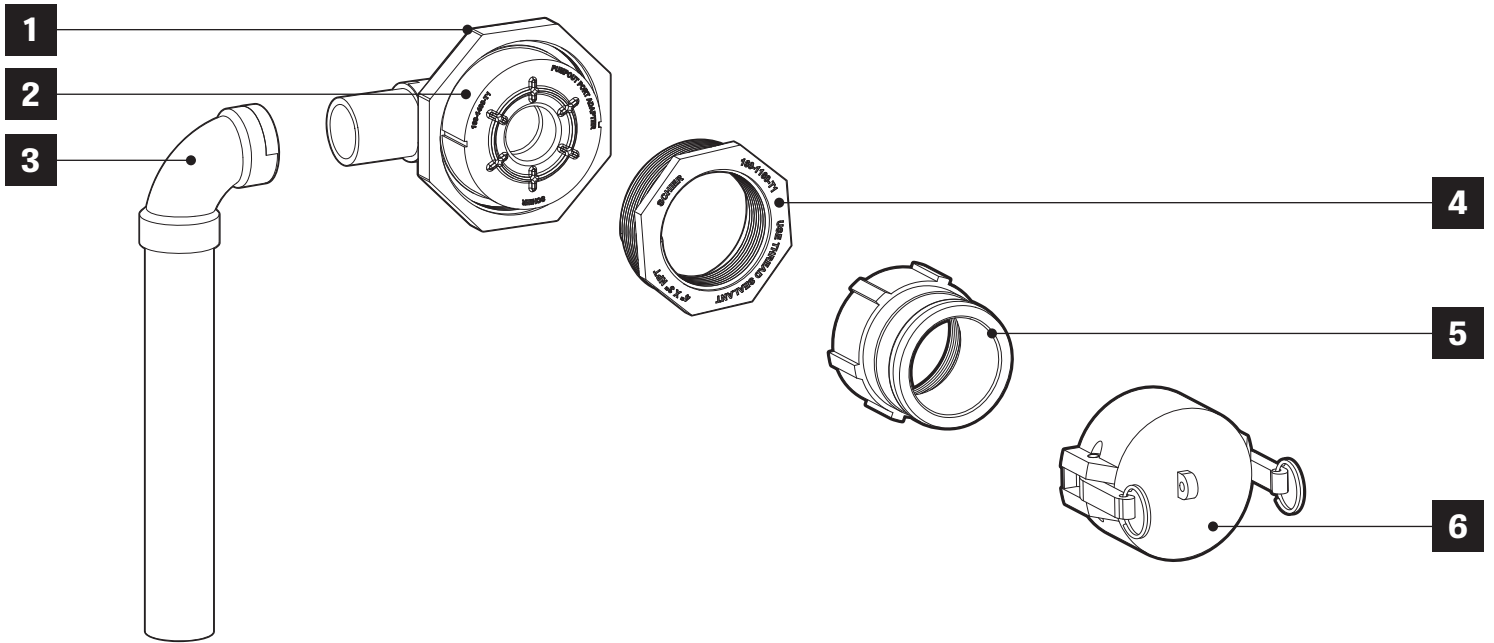


Support Inlet and Outlet Piping

For above grade installations ensure heavy inlet and outlet piping (such as cast iron or long runs) is properly supported or suspended during the entire installation process to prevent connection failure or damage to bulkhead fittings.



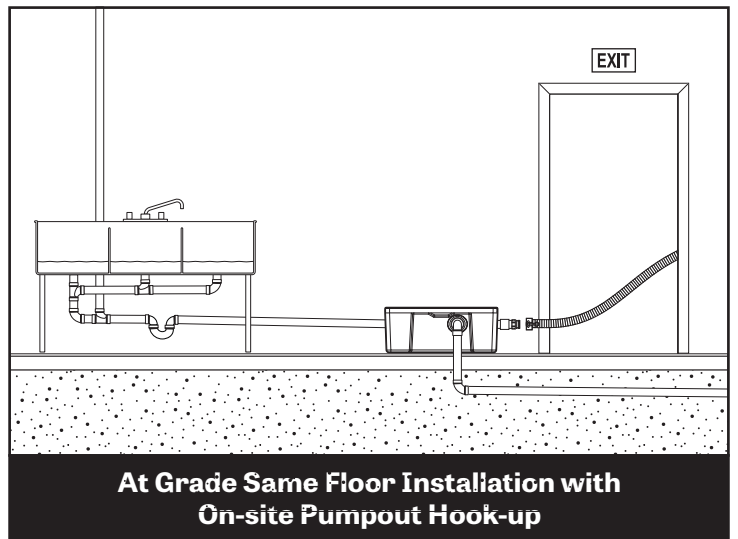
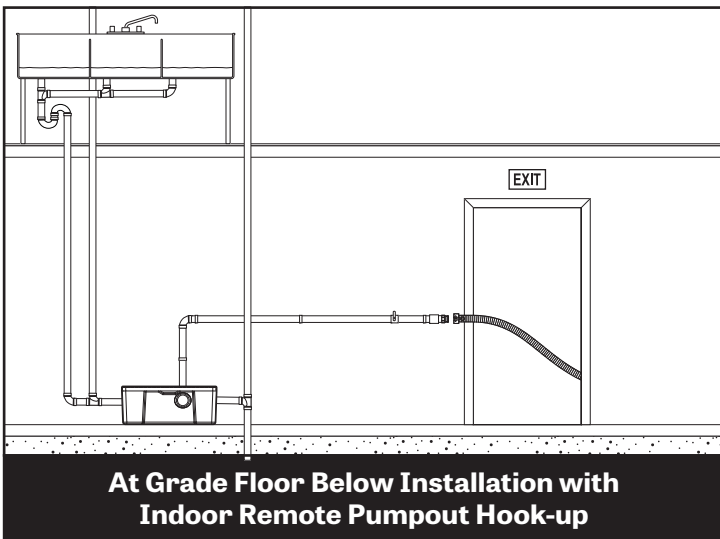
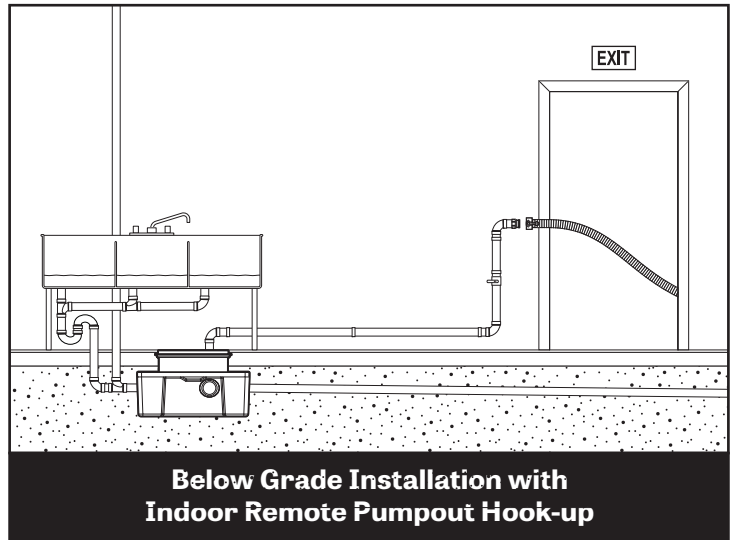
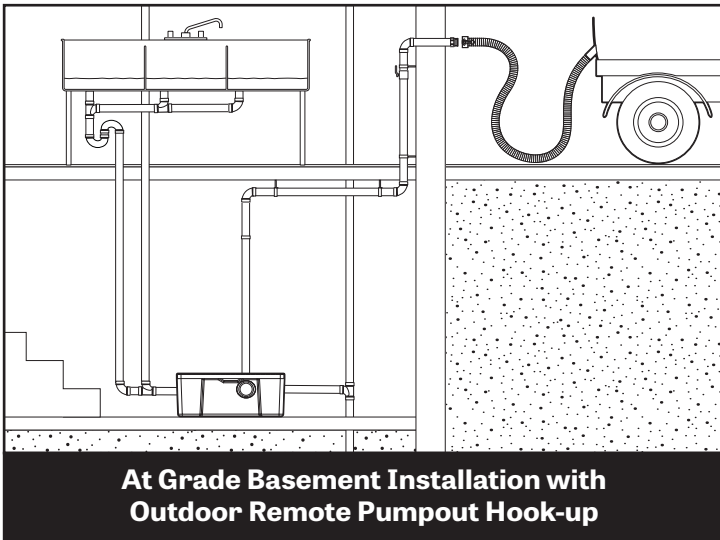
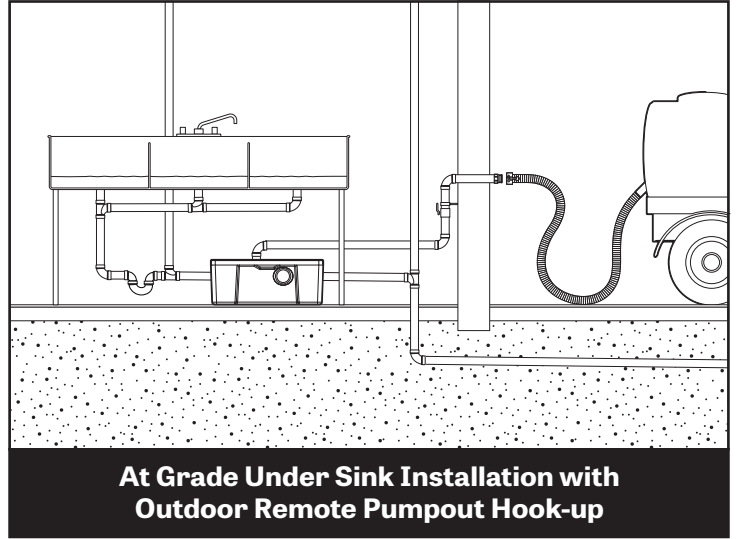
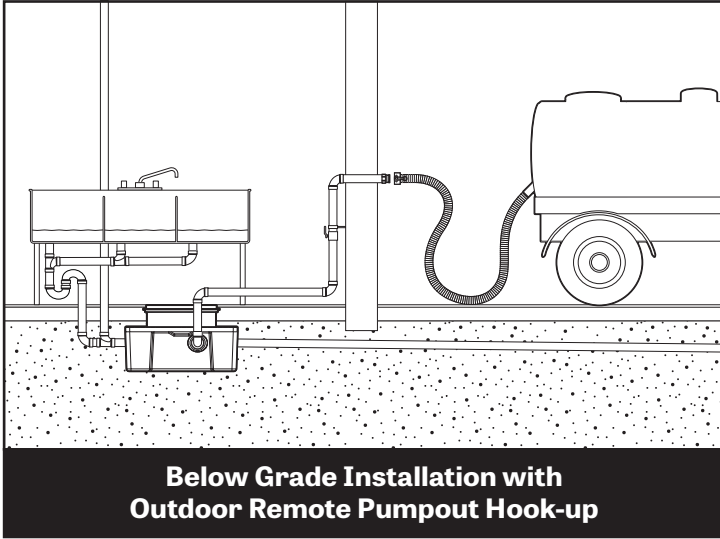
GETTING TO KNOW THE PP1



1. Pumpout Adapter Retaining Nut
2. Pumpout Adapter
3. Internal Vertical Pipe Assembly
4. 4" x 3" FPT Reducer Fitting
5. 3" Cam and Groove Fitting
6. 3" Cam and Groove Cap

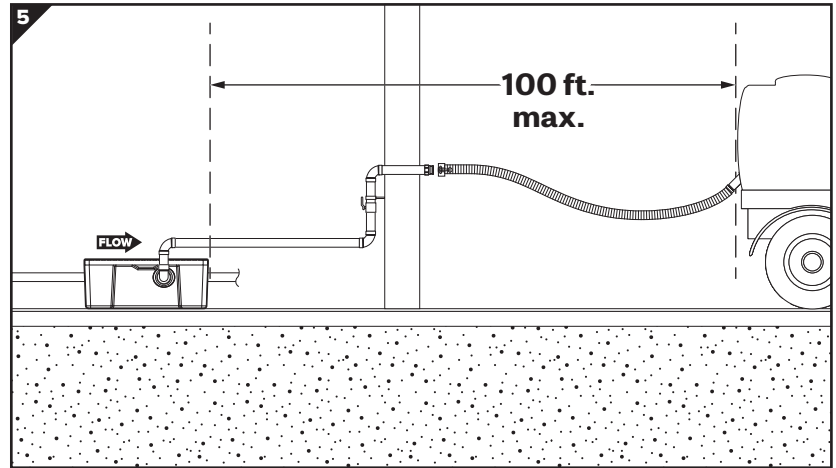
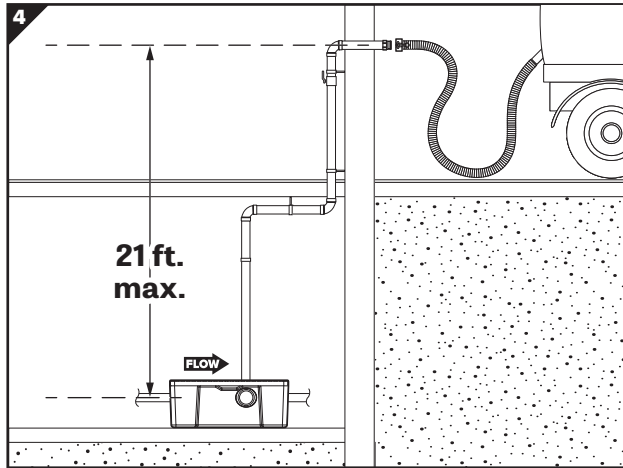
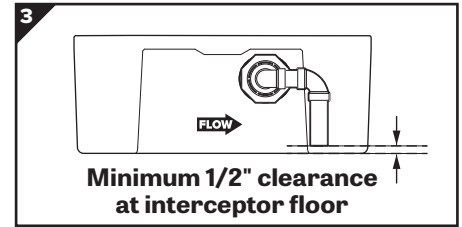
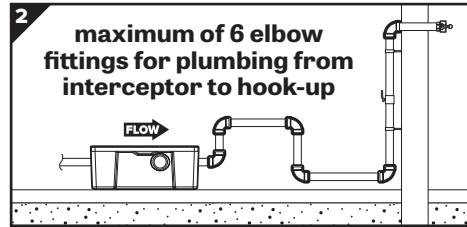
INSTALLATION IDEAS

Use the following illustrations for guidance to plan your pumpout port piping layout.



INSTALLATION

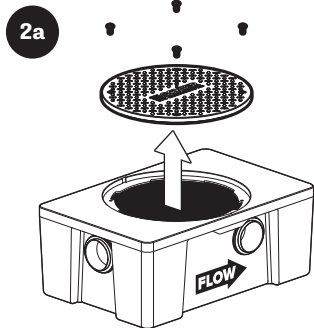
Special Precautions



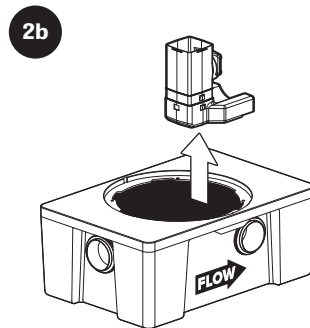
1 Plan pumpout plumbing

See **"INSTALLATION IDEAS"** for guidance. Choose an unused outlet on the interceptor to convert into a pumpout port and choose a location for the pumpout hook-up. **NOTE:** This kit does not include the plumbing from the interceptor to the hook-up location. You will need to plan out the pumpout plumbing based on site conditions and local codes and provide all additional piping, valves, connections and hardware needed to complete this installation.

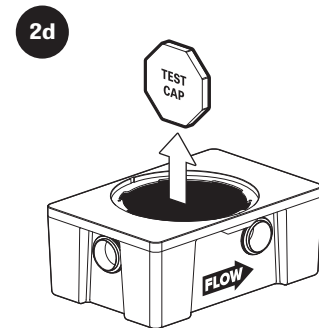
2 Prepare interceptor for pumpout port installation



Remove cover bolts, then remove cover.

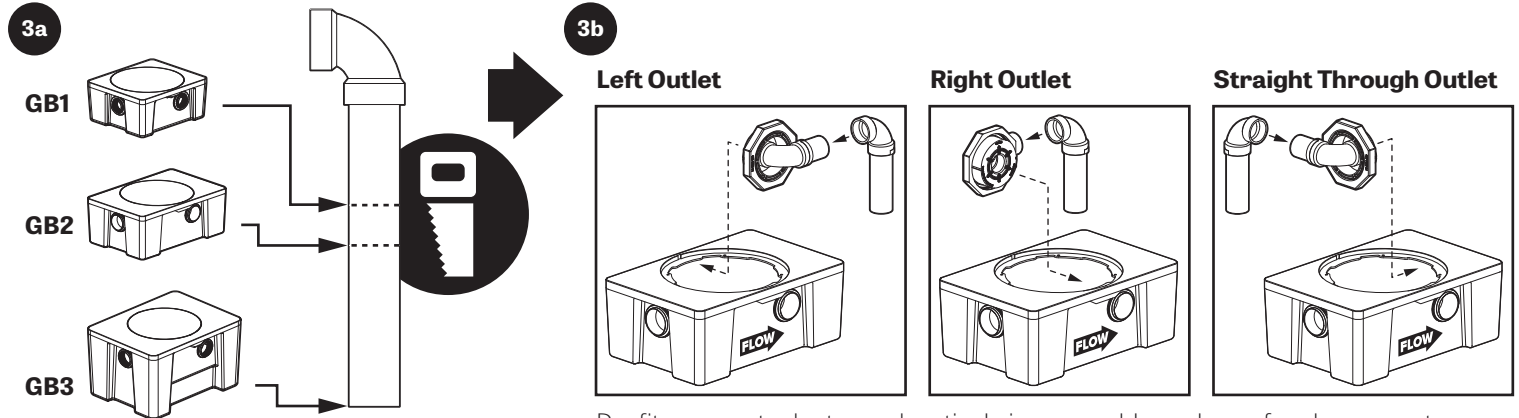


Remove outlet diffuser from saddle.



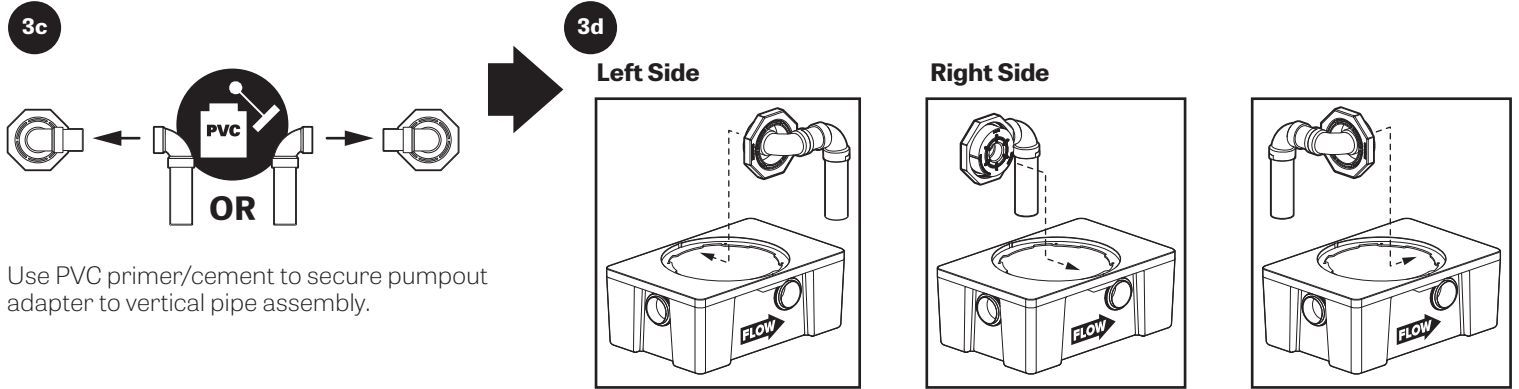
Remove preinstalled test/sealing cap from outlet chosen to become a pumpout port.

3 Assemble Internal Pipe Assembly



Trim internal vertical piping assembly at premarked location.

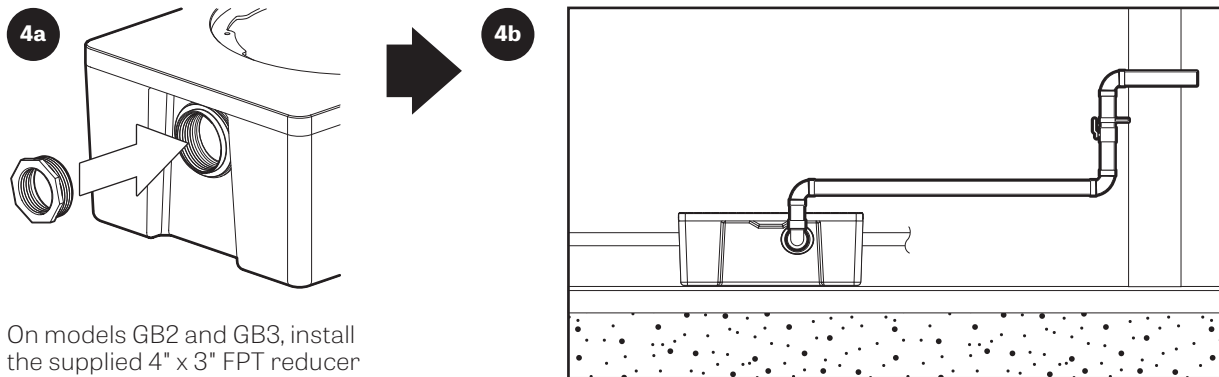
Dry fit pumpout adapter and vertical pipe assembly as shown for chosen port location (Left, Right or Straight Through). Hand tighten into place. Ensure that vertical piping assembly is pointed down (as shown) and ensure that there is at least 1/2" of clearance between the vertical pipe and floor of unit. Remove internal piping assembly for cementing.



Use PVC primer/cement to secure pumpout adapter to vertical pipe assembly.

Place internal pipe assembly as shown for chosen port location (Left, Right or Straight Through). Securely hand tighten pumpout adapter retaining nut.

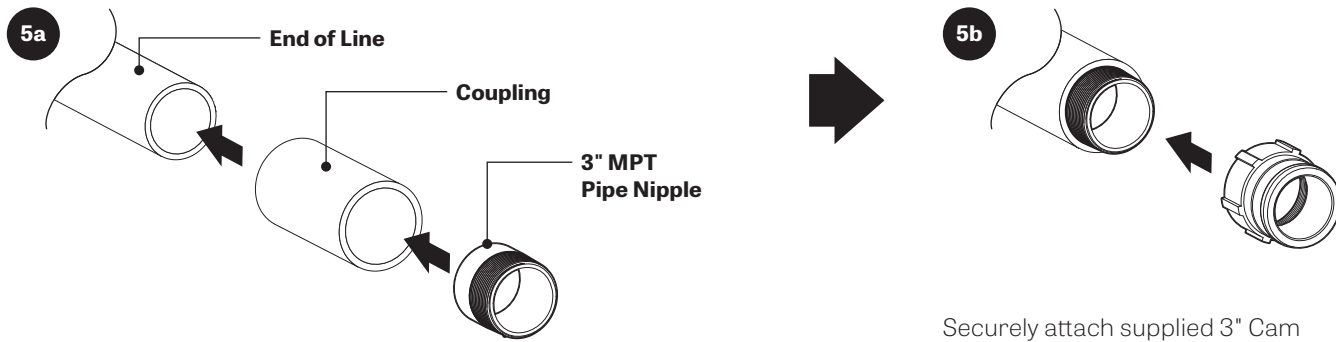
4 Connect External Piping



On models GB2 and GB3, install the supplied 4" x 3" FPT reducer fitting at the pumpout port using pipe thread sealant or tape.

Install 3" or 2" PVC piping, connections, valves and/or hardware from the interceptor pumpout port to pumpout hook-up location (**Not included with this kit**). Maximum quantity of 6 elbow fittings. Max. height from static water line of interceptor to hook-up is 21 feet. Max horizontal distance from interceptor to pumper truck (including hose) is 100 feet.

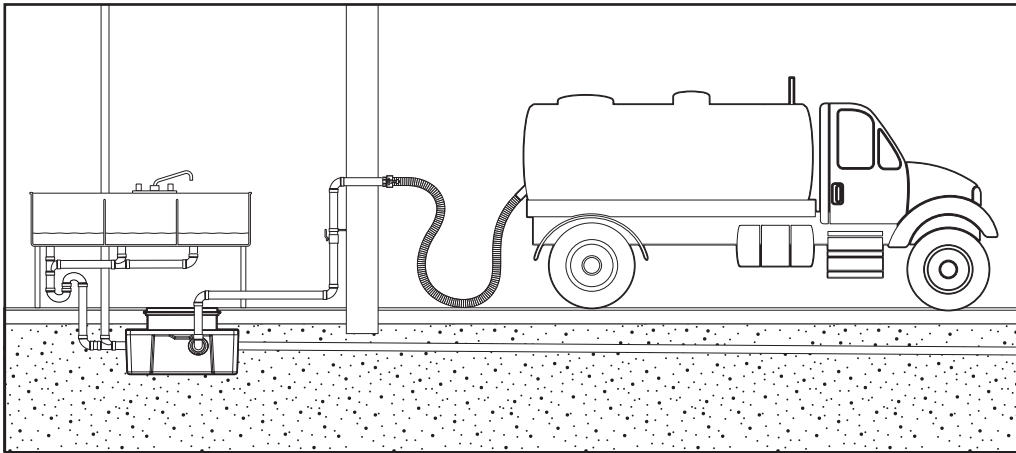
5 Connect Pumpout Hook-up



At the end of the pumpout plumbing line, install a 3" MPT pipe nipple (**Not included with this kit**) using a coupling of your choice.

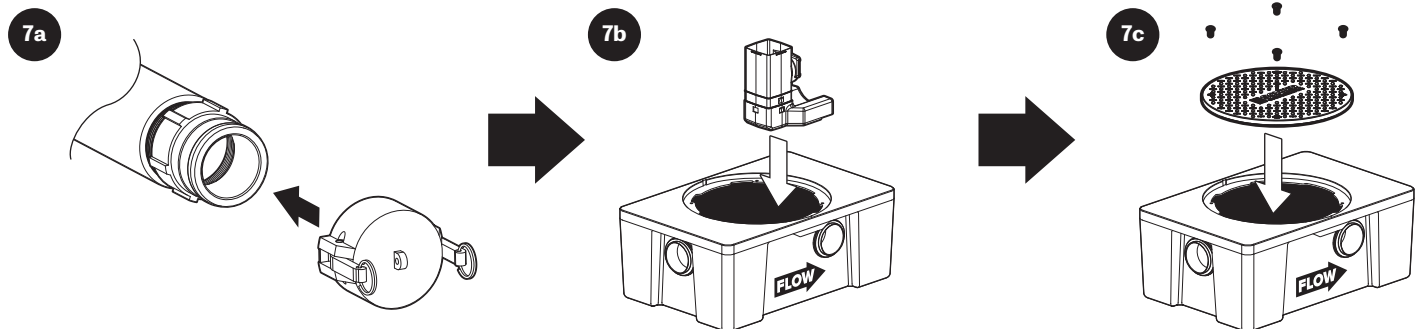
Securely attach supplied 3" Cam and Groove Fitting to pipe nipple using pipe thread sealant or tape.

6 Test Pumpout Port



Run Sinks to ensure interceptor is full of water. Attach pumper hose to 3" cam and groove fitting. Turn on pump, make sure interceptor is pumped out and inspect pumpout plumbing for leaks.

7 Cap off hookup and re-assemble interceptor



Install Cam and Groove Cap at hookup

Seat outlet diffuser firmly into saddle

Replace cover and cover bolts, tightening securely.