

Installation Notes

Before installing this water heater, be sure to read the Installation Manual and Owner's Guide. The following items must be verified prior to completion of the installation.

1. Check the gas type



DANGER

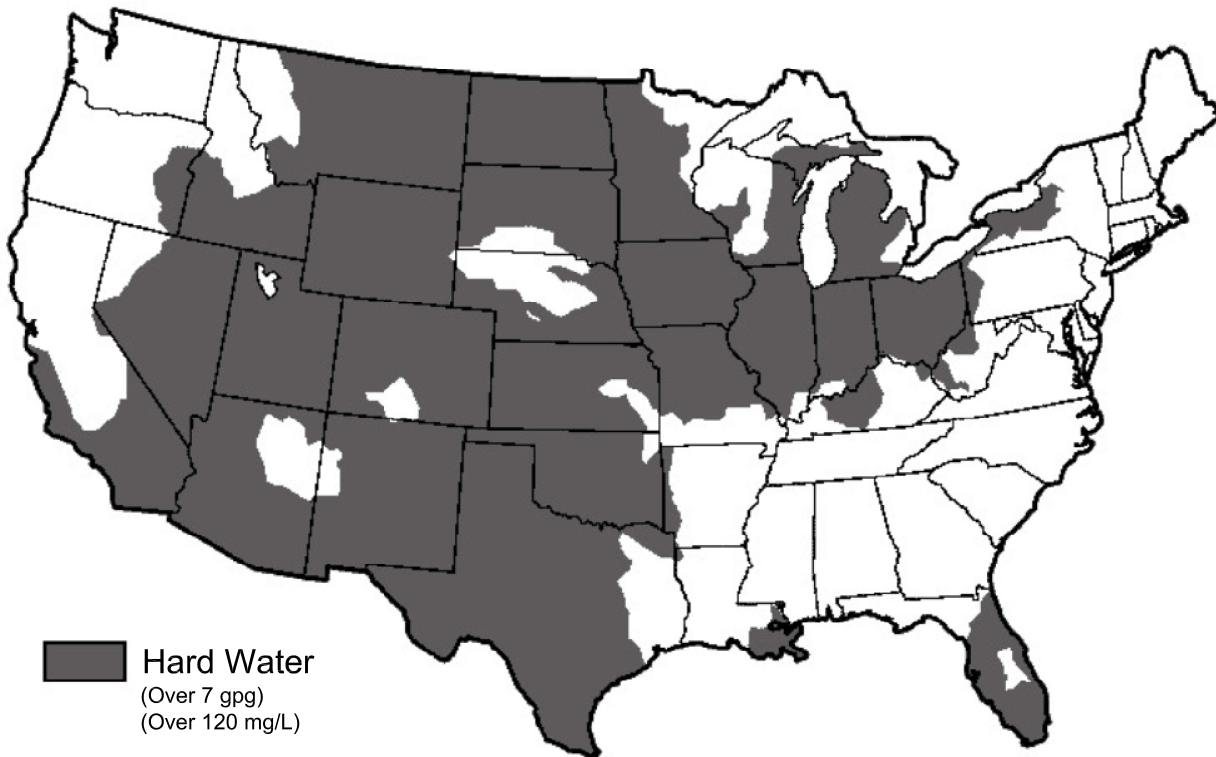
Verify that gas supply type matches the gas type listed on the rating plate.
Improper gas type may result **CARBON MONOXIDE POISONING.**

2. Select the Service Reminder

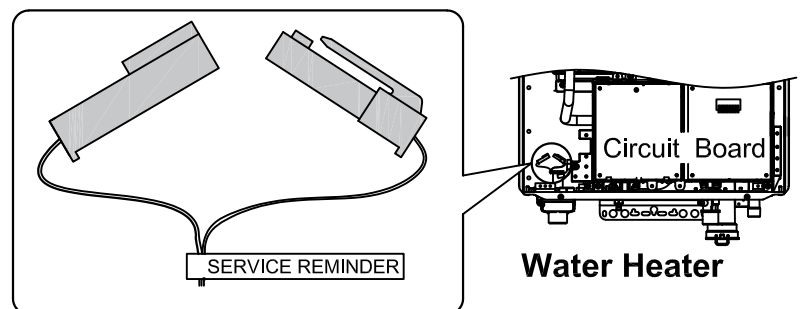
If this water heater will be installed in an application where the supply water is hard, Scale Build-up may cause damage to the Heat Exchanger. To prevent damage to the Heat Exchanger, the Heat Exchanger regularly needs to be flushed. This water heater is equipped with an automatic "Service Reminder" to provide a reminder to flush the Heat Exchanger.

If the water hardness of installation area more than 7 gpg (120 mg/L), need to set the "Service Reminder" to ON as following procedure.

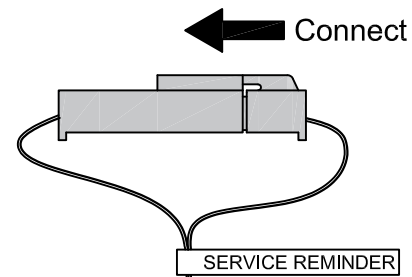
- ① Check the water hardness of installation area. Refer to the below water hardness map.



- ② Open the Front Cover. There is the Red connector marked "SERVICE REMINDER".



- ③ Connect the Red connector marked "SERVICE REMINDER".

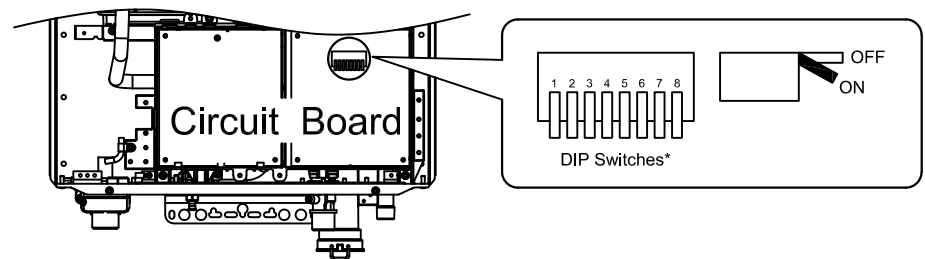


3. Adjust the DIP Switches

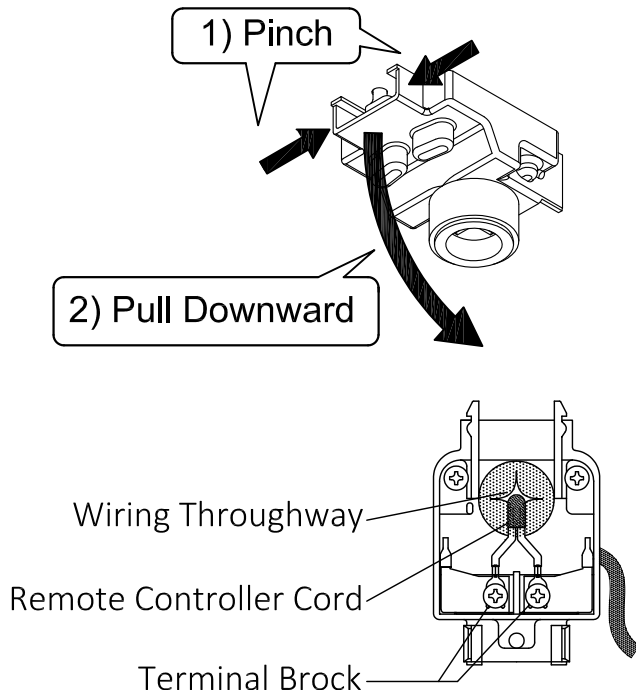
This water heater has some DIP Switches on the Circuit Board depending on installation pattern*.

DIP Switches must be changed depending on installation condition. Please refer to the Installation Manual for making DIP switch's adjustment.

* Indoor installation, Outdoor installation, High altitude, Vent size, Vent length, etc.



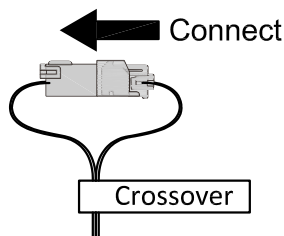
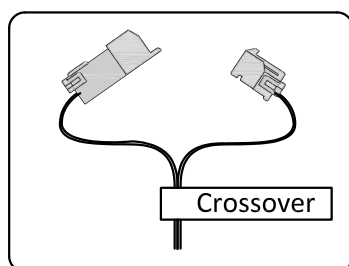
How to connect Remote Controller Cord on the Remote Controller Terminal.



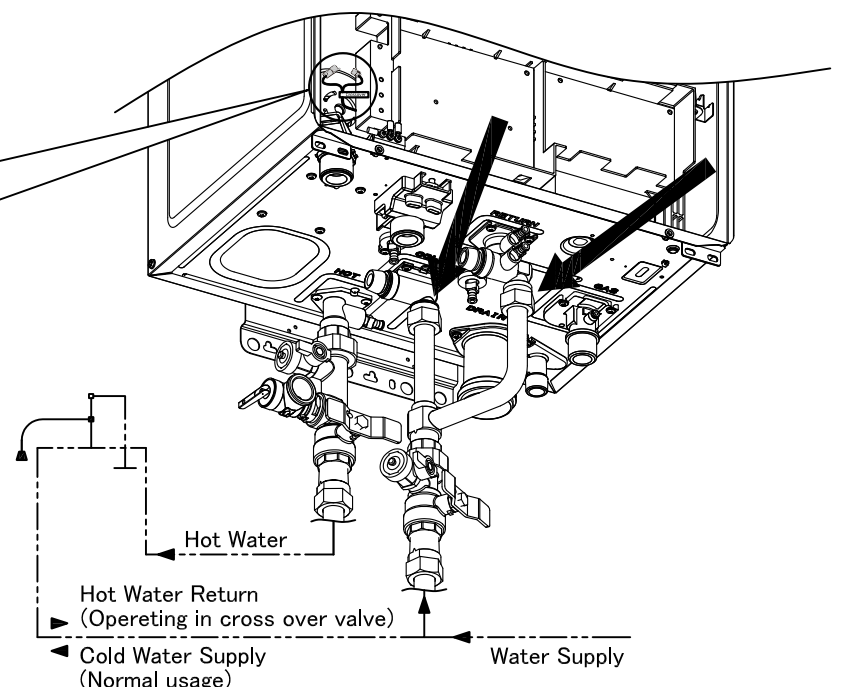
Only for the installation with Crossover Valve.

Connect the connector marked "Crossover" when installing the Crossover Valve.

The cold water supply line must be branched to the hot water line.



(For Quick Connect Multi-System)
Connect the connector both of the water heaters.



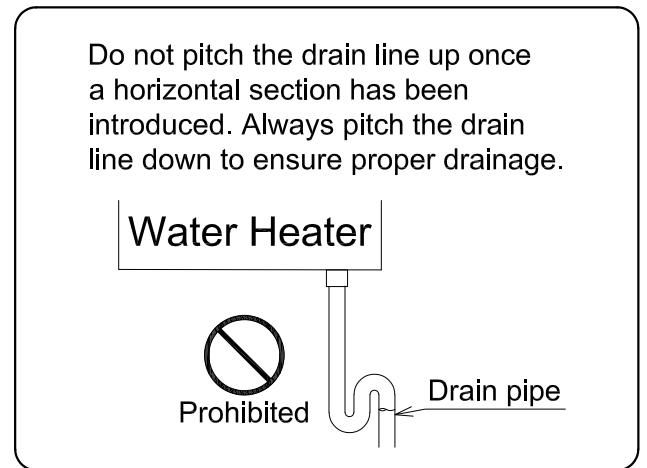
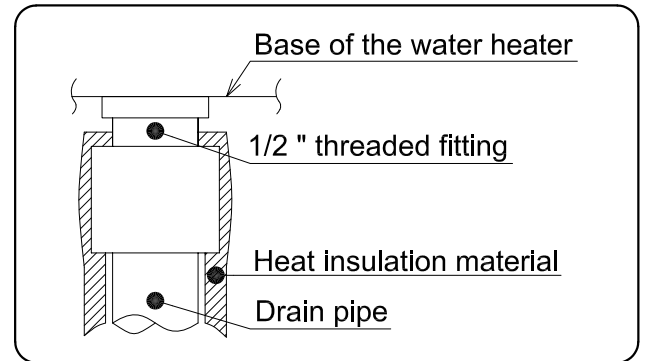
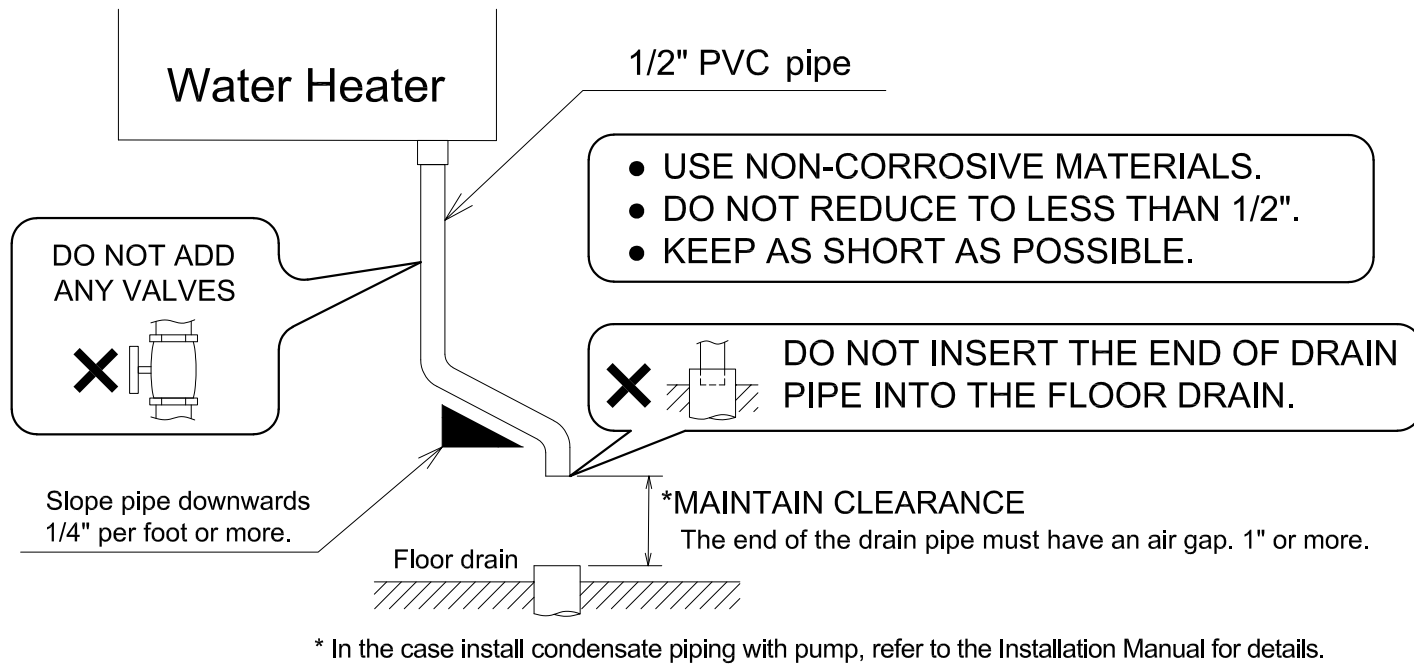
4. Condensate Piping



CAUTION

Due to the acidic nature of condensate, be sure to properly drain and if necessary, treat the condensate prior to disposal. Damage caused by improperly handled condensate is not covered by the warranty.

- This water heater is a high efficiency, fully condensing water heater which produces acidic condensate during operation. The unit incorporates a collection and removal system which must be properly drained in order to ensure proper operation of this unit.
- Take measures to prevent the condensate drain lines from freezing (insulation, heat tape, electric heaters, etc.).



NOTICE

If the drain line becomes clogged or frozen, condensate will back-up into the water heater and then an error code "90" will be flashed on the Remote Controller. In this case, the unit can not deliver hot water. The condensate will be discharged by gravity force only. If the condensation line in improper installation like not enough slope downwards, it also causes an error code "90".due to condensation line clogged.

5. Filling the condensate container with water



DANGER

Prior to initial start up, make sure that you fill the condensate container with water. This is to prevent dangerous exhaust gases from entering the building. Failure to fill the condensate container could result in severe personal injury or death.

The condensate container can be filled with water before connecting the vent pipe.
Filling the condensate container before vent pipe installation.

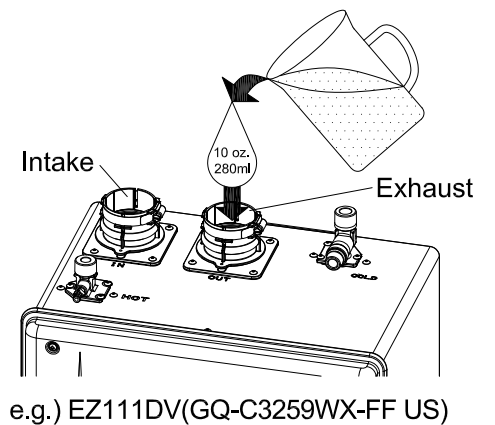
- 1) Fill the condensate container by pouring approx. 10 oz. (280 ml) of water into exhaust flue on the top of the water heater as illustrated right.

Or, if the vent pipe has already been installed:

- 2) After installing the drain pipe, make sure that the area around the water heater is well ventilated ; open a window or a door if necessary.

Then, operate the water heater and verify that condensate is coming out of the drain pipe.

(During normal use of the water heater, condensate will begin to discharge from the drain pipe within 15 minutes of use. However, depending on the season and / or installation site condition, it may take longer.)



6. Verify proper operation and to prevent damage from freezing

- Before connecting the cold water supply line to the water heater, open the water supply valve and flush out any pipe shavings, flux, dirt, etc. from the water pipe.
- After connecting the pipes, check that the water flows properly, then remove the filter from the cold water inlet fitting and clean any debris. Failure to do so could prevent the water heater from operating properly.
- Verify proper operation of the water heater by performing "Trial Operation" procedures as outlined in the Installation Manual and Owner's Guide.
- After performing the test operation, be sure to drain the water to prevent freezing of the water heater. If you forget to drain the water heater, it could cause damage to the water heater. Please refer to the procedure for preventing damage from freezing in the Owner's Guide.
- If you are draining water from an installation indoor, catch the discharge water in a container to prevent water from slipping on to the floor.

PLEASE RETURN THE "OWNER'S GUIDE" TO THE CUSTOMER AFTER INSTALLATION.