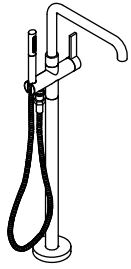


Installation Guide

Floor-Mount Bath Faucet

P24408



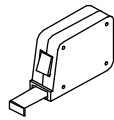
KALLISTA.

1156618-2-B

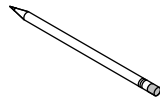
Tools



Drill



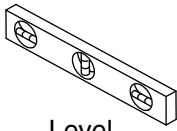
Tape Measure



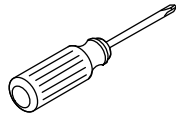
Pencil



Sealant Tape



Level



Phillips Screwdriver

Important Information

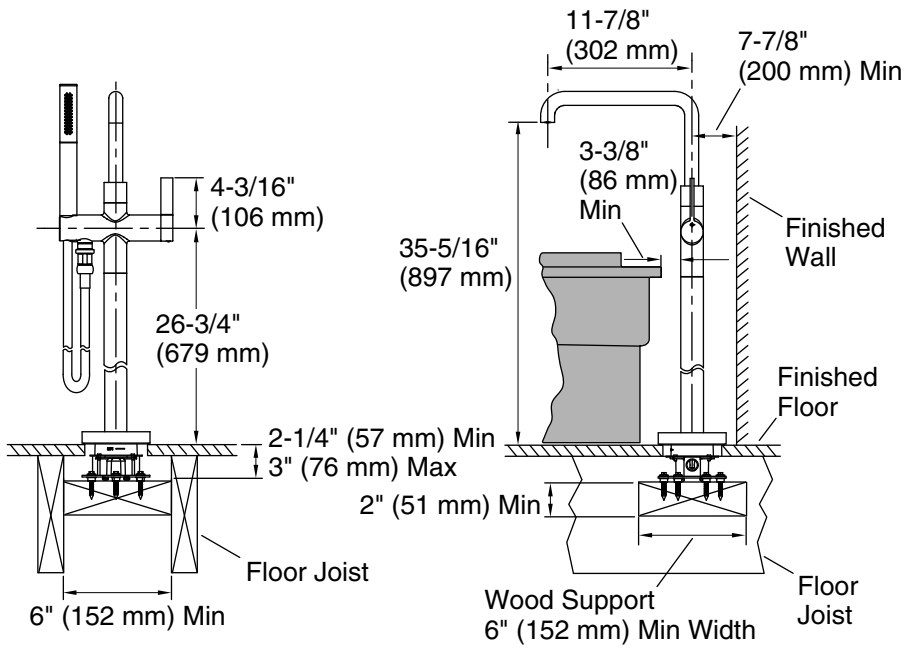


CAUTION: Risk of personal injury. Do not use the bath filler as a grab bar or support bar when entering or exiting the bath. The bath filler is not designed to support weight.

NOTICE: Adequate floor support is required. The wood support must be a minimum of 2" (51 mm) thick by 6" (152 mm) wide. 2x6 lumber is NOT adequate for this application.

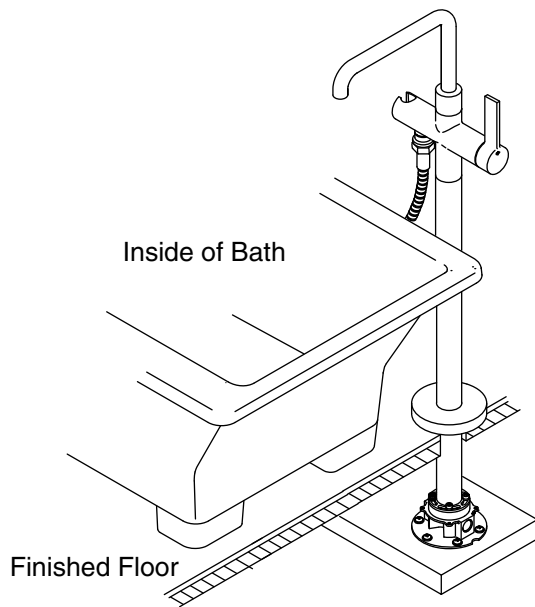
NOTICE: To avoid damage to the O-rings on the bottom of the faucet, keep the faucet vertical and use care when installing the faucet.

- Observe all local plumbing and building codes.
- Shut off the main water supply.
- A drill bit is provided for installation to wood support. A different drill bit is required for concrete floor installations; this bit is not provided.
- The dimensions given assume the spout and bath are mounted on the same surface. Adjust the dimensions accordingly if the spout and bath are mounted on different surfaces.
- If this product is installed with an overflowing bath, the outer rim of the bath should slightly overlap the 2x4 framing.
- Installer-supplied copper tubing must be 5/8" OD (1/2" nominal).
- Carefully review this document and any appropriate Roughing-in documents. Design the bath enclosure accordingly.
- The appearance of your faucet may differ from the illustrations in this guide. The instructions still apply.



1. Prepare the Site

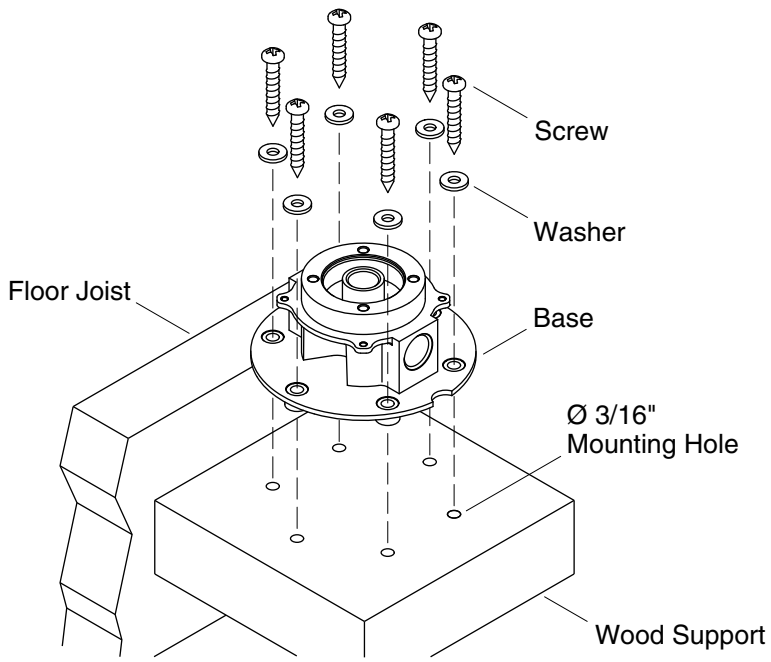
NOTICE: Adequate floor support is required. The wood support must be a minimum of 2" (51 mm) thick by 6" (152 mm) wide. 2x6 lumber is NOT adequate for this application.



2. Spout Orientation

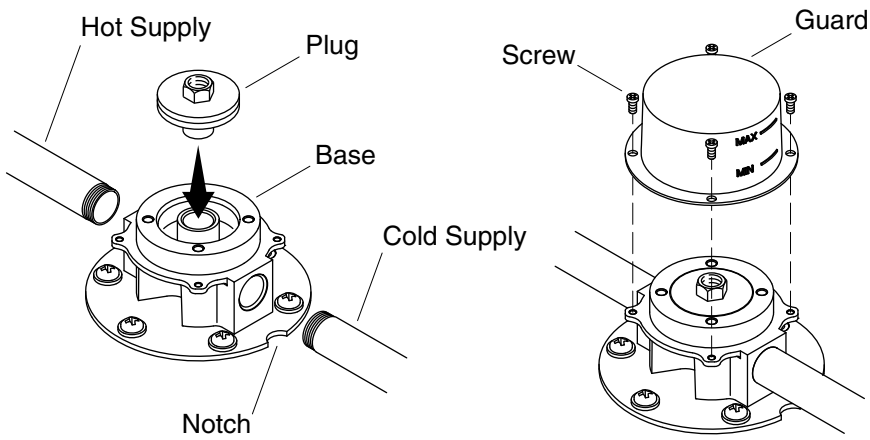
When performing this installation:

- Verify correct spout orientation before securing the base to the floor.
- Connect the faucet to the base with screws and washers through the flange. Orient the spout to the inside of the bath.
- Rotate the base if necessary by loosening the screws to verify the supplies are in line with the base inlet connections. You may have to modify the supply lines if necessary.
- The cold supply should be connected where the blue mark or the notch is located.
- Test the handle to verify full rotation will not interfere with the bathing fixture or the back wall.



3. Install the Base

- Locate the position on the wood support where the base will be installed. Use the base as a guide to mark the mounting hole locations.
- Drill 1-1/2" (38 mm) deep holes with a 3/16" drill bit (provided) using the marked locations as the center point.
- Secure the base to the support with the screws and washers provided.
- Verify the base is level and tighten the screws.

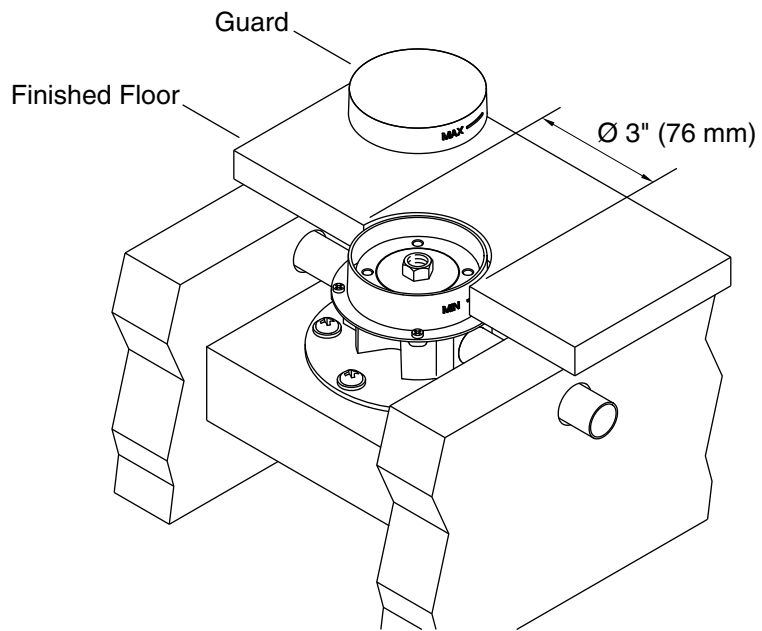


4. Connect the Supplies

- Apply thread sealant tape on the ½" NPT hot and cold supply pipes and thread into the base.

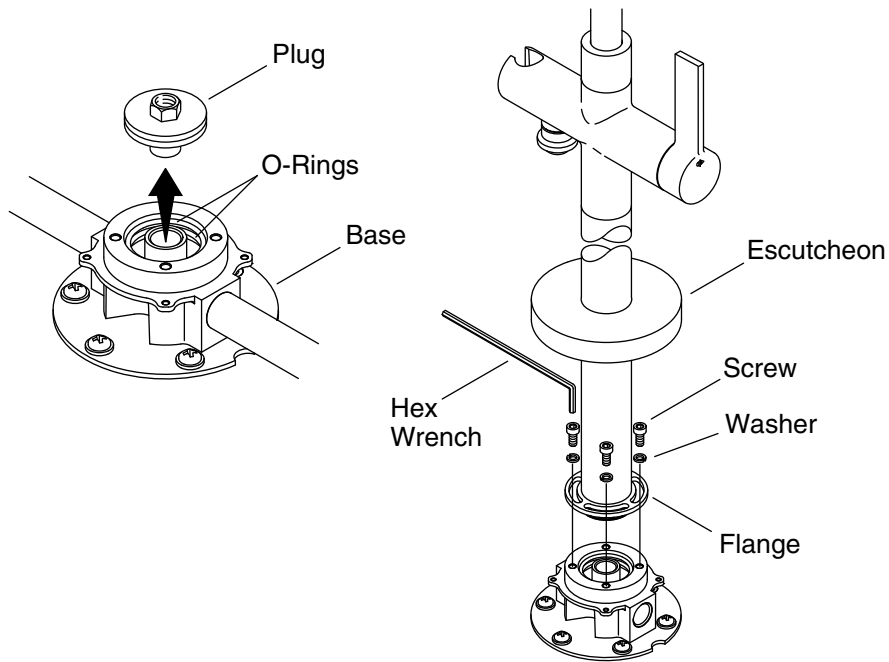
NOTE: The base has a blue mark and a notch on the cold supply side.

- Insert the plug into the base.
- Turn on the main water supply and check for leaks.
- Turn off the main water supply.
- Secure the guard onto the base with the screws provided.



5. Install the Finished Floor

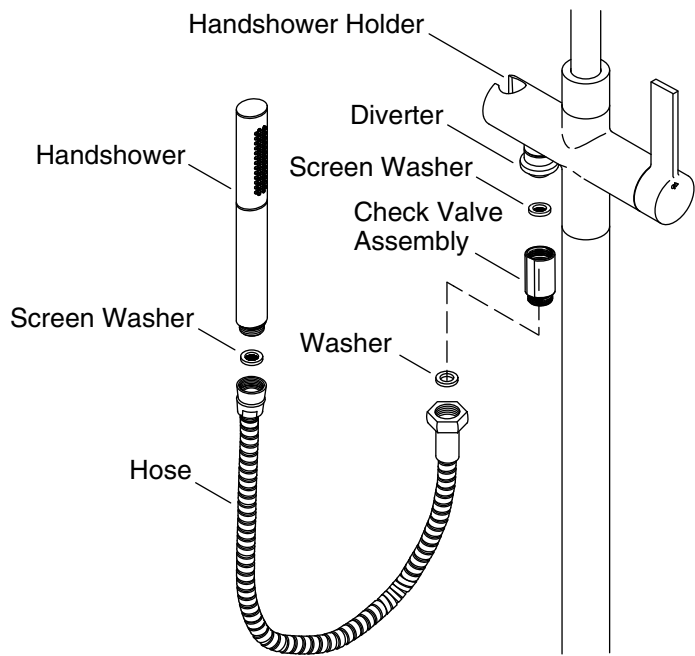
- Finish the floor leaving a 3" (76 mm) diameter hole for the guard.
- Cut the guard so it is flush with the finished flooring.



6. Install the Faucet

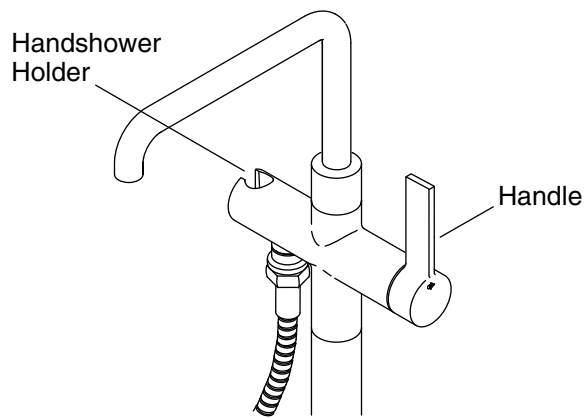
NOTICE: To avoid damage to the O-rings on the bottom of the faucet, keep the faucet vertical and use care when installing the faucet.

- Remove the plug from the base.
- Remove the rubber protector (not shown) from the faucet.
- Place the faucet onto the base and insert the screws and washers provided through the flange. Tighten the screws using the hex wrench provided.



7. Install the Handshower

- Remove the rubber protector (not shown) from the diverter.
- Insert the screen washer into the check valve assembly and thread the check valve assembly onto the diverter.
- Install the washer and hose onto the check valve assembly.
- Insert the screen washer into the end of the hose and install the handshower to the hose.
- Place the handshower into the handshower holder.



8. Installation Checkout

- Ensure the faucet handle is in the OFF position.
- Turn on the main water supply and check for leaks.
- Remove the handshower from the hose.
- Point the hose into the bath and turn the faucet handle to the ON position.
- Run hot and cold water through the hose to remove debris. Check for leaks.
- Turn the faucet off.
- Reinstall the handshower to the hose. Place the handshower into the handshower holder.

1156618-2-B

USA/Canada: 1-888-4-KALLISTA

Fax: 1-888-272-3094

kallista.com

KALLISTA[®]

©2013 KALLISTA

1156618-2-B