

INSTALLATION INSTRUCTIONS

P23143, P23144, P23145,
P24038, P24039, P24040,
P24543, P24544, P24545

INSTALLATION INSTRUCTIONS

THANK YOU FOR CHOOSING KALLISTA

We appreciate your commitment to Kallista quality products. Please take a moment to review this manual before you install your Kallista product. If you encounter any installation or performance problems, please do not hesitate to contact us at the phone number listed at the bottom of the page.

BEFORE YOU BEGIN

NOTE: Plumbing codes may require a vacuum breaker be installed in-line to handshowers. Please consult with local plumbing codes.

- Carefully plan the location of the wall supply elbow and fixed wall bracket to avoid the possibility of the handshower hose interfering with the operation of any faucets and/or drains, etc.
- Please read all instructions before you begin.
- Observe all local plumbing and building codes.
- Shut off the main water supply.
- Inspect the supply piping for damage. Replace as necessary.
- The appearance of your product may differ from what is shown in these instructions, however, the installation procedure is the same.
- Kallista reserves the right to make revisions in the design of products without notice, as specified in the Price Book.

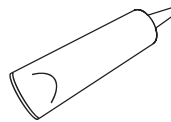
TOOLS AND MATERIALS



Thread Sealant



Strap Wrench



Silicone Sealant



Pencil



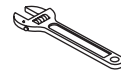
Drill



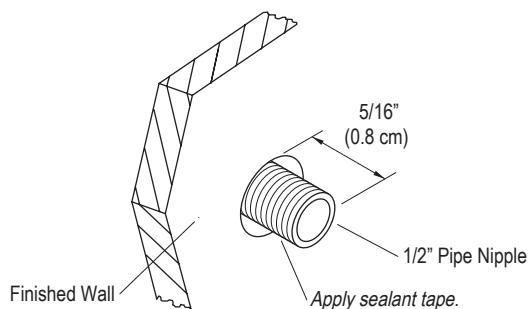
Phillips Screwdriver



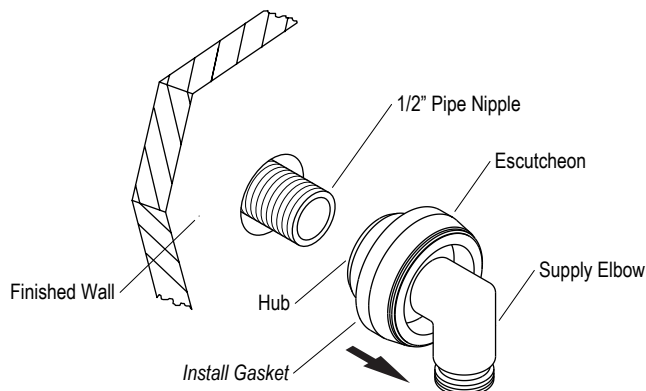
Hex Wrench



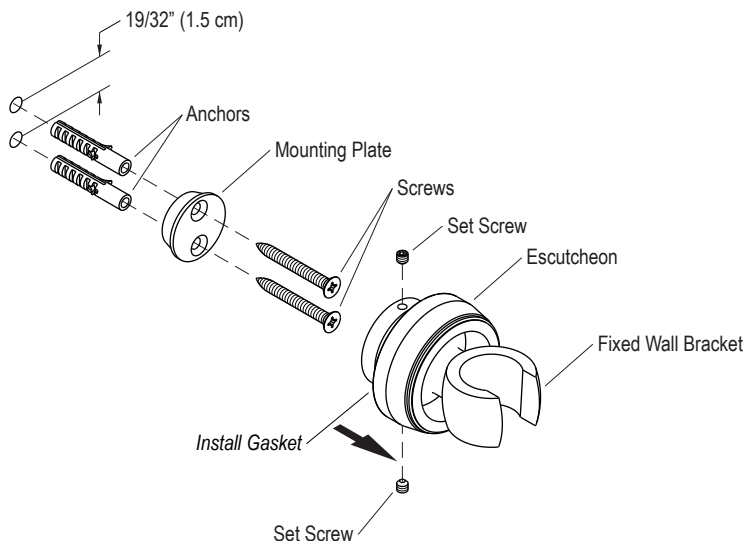
Adjustable Wrench

INSTALLATION INSTRUCTIONS**1. INSTALL THE PIPE NIPPLE**

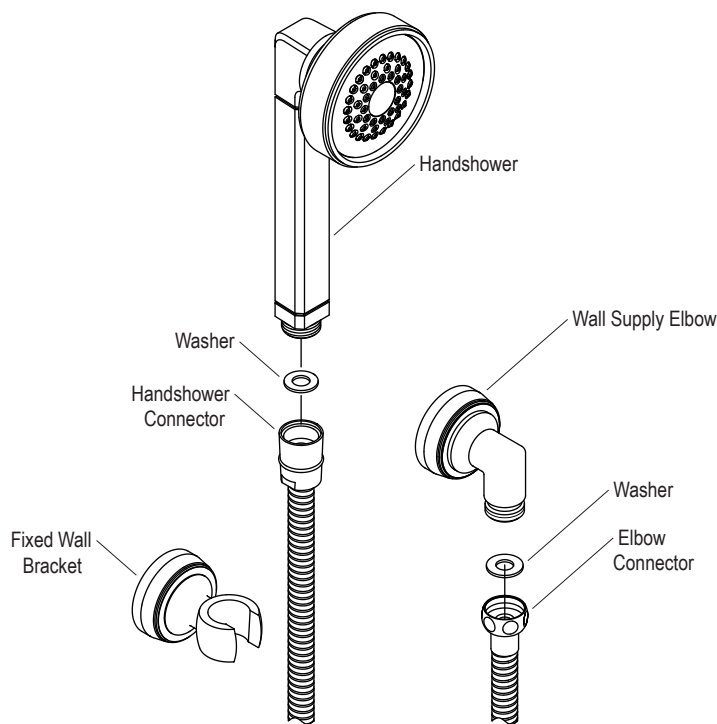
- Install a 1/2" NPT pipe nipple so that it extends 5/16" beyond the finished wall when fully tightened.
- Run water through the system to flush out dirt and debris.
- Apply sealant tape around the exposed threads of the pipe nipple.

2. INSTALL THE SUPPLY ELBOW

- Install the gasket into the back of the escutcheon.
- Slide the escutcheon onto the supply elbow, starting at the hub and stopping at the 90° bend.
- Thread the supply elbow onto the 1/2" pipe nipple.
- Tighten the wall elbow using a clean strap wrench.
- Press the escutcheon against the finished wall.
- If desired, apply a bead of clear sealant around the perimeter of the escutcheon.

INSTALLATION INSTRUCTIONS**3. INSTALL THE FIXED WALL BRACKET**

- Determine the location for the fixed wall bracket.
- Use the mounting plate to mark the location of the holes for the wall anchors. Drill the holes and install the wall anchors.
- Attach the mounting plate to the wall with the screws.
- Install the gasket into the back of the escutcheon.
- Slide the escutcheon onto the fixed wall bracket so that the back of the escutcheon clears the holes for the set screws.
- Attach the fixed wall bracket to the mounting plate with the set screws.
- Press the escutcheon against the finished wall.
- If desired, apply a bead of clear sealant around the perimeter of the escutcheon.

INSTALLATION INSTRUCTIONS**4. INSTALL THE HANDSHOWER AND HOSE**

- Insert a washer into the elbow connector end of the shower hose.
- Attach the shower hose to the wall supply elbow. Run cold and hot water through the shower hose to flush out dirt and debris.
- Insert the other washer into the threads of the handshower connector.
- Thread the handshower into the shower hose. Tighten with an adjustable wrench.
- Turn on the water. Check for leaks and smooth operation.
- Place the handshower in the fixed wall bracket.