

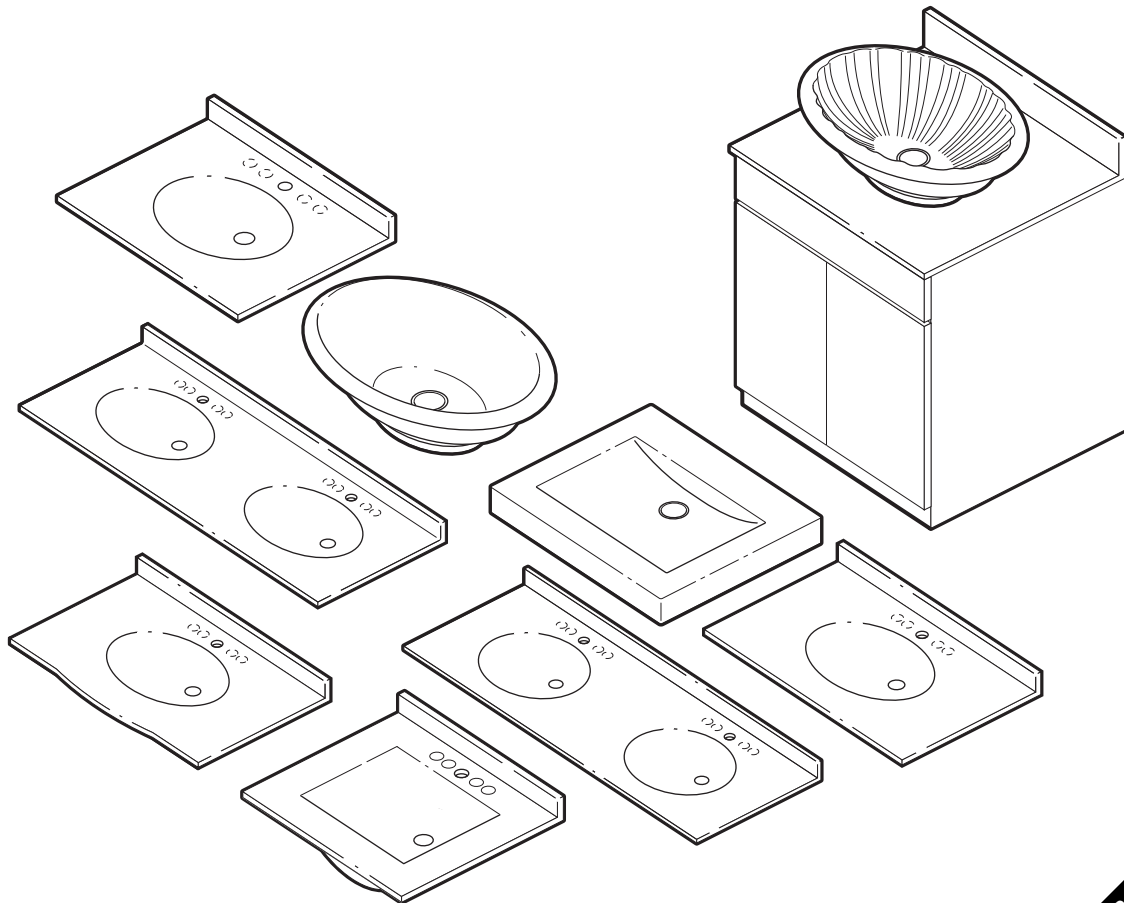


## Cabinet Mount Vanity Tops & Bowls

### Models:

Chesapeake Vanity (Single Bowl)  
Chesapeake Vanity (Double Bowl)  
Contour Vanity (Single Bowl)  
Ellipse Vanity (Single Bowl)  
Ellipse Vanity (Double Bowl)  
Europa Vanity (Single Bowl)  
Hilo Vanity Bowl  
Islandia Vanity Bowl  
Palladio Above-Counter Washbasin

- **Product Warnings**
- **Safety Guidelines**
- **Kit Contents**
- **Required Tools**
- **Preparation Tips**
- **Installation Procedure**
- **Cleaning & Maintenance**
- **Surface Repair**
- **Warranty Information**



**Read and Understand  
Before Installing**

The Swan Assurance — if our product is properly installed and maintained, as stated in these instructions, it will not leak.

# Remember – Safety First

## IMPORTANT NOTICE

The Swan Corporation, the makers of the Swan products, cannot anticipate every possible circumstance that might involve a potential hazard during the installation of our product(s). The warnings and instructions in this installation guide are, therefore, not all-inclusive. If a tool, installation procedure, or work method that is not specifically recommended by The Swan Corporation is used, you must satisfy yourself that it is safe. You should also make sure that the Swan product(s) will not be damaged by the methods you choose. The Swan Corporation will not be held responsible for water damage of any kind in connection with the installation of one of our Swan drop-in vanity tops.

## WARNING

To avoid product damage, personal injury, or even possible death, carefully read, understand, and follow all the instructions in this installation guide before installing this product(s). Do not use cleaning fluids or operate power tools unless you read and understand the instructions and warnings in this and all other applicable labels or manuals. Proper use of tools and the products described in this guide is your responsibility.

## WARRANTY

This product is covered by a Limited Lifetime Warranty. Refer to the Warranty section in this manual for complete details.

**Save this manual for future reference.**

Important information on cleaning, maintenance, and repair is contained within.

## IMPORTANT NOTICE

IMPORTANT NOTICE: Indicates that equipment or property damage can result if instructions are not followed.



### Read and Understand the Manual

It is the responsibility of any individual who installs or maintains this product to fully understand and follow proper installation and maintenance procedures. Be aware of the inherent dangers in the use of power tools when installing this product. Read and understand all Warnings, Cautions, and Important Notices in this manual.



### Work Safely

DO NOT proceed if any doubt arises about the correct or safe method of performing anything found in this or other Swanstone manuals. The installation of this product can require using power tools. Do not use power tools without adequate training. If necessary, hire or consult a trained professional for expert assistance before continuing.



### Use Proper Tools

Always use proper tools which are in good, working condition during the installation of the Swanstone products. Using tools other than those listed could adversely affect the integrity of floors, pipes, walls, or this product and could result in water damage or other damage to floors, pipes, walls, or other portions of your building or home.



### Inspect Before Cutting

Make sure no electrical wiring or plumbing is present before cutting into any surface.

## CAUTION

CAUTION: Indicates a potentially hazardous situation which, if not avoided, may result in injury. It may also be used to alert against unsafe practices.



### Use Proper Installation Methods

Follow all instructions related to vanity tops and bowls preparation. Failure to follow these instructions could result in water damage.



### Slipping Hazard

Do not install this product in the presence of water. Installing this product without drying all surfaces, or in the presence of water, could cause you to slip and fall due to wet floors or spilled fluids. Personal injury can result from slips or falls. Before installation, dry all surfaces, including the floor, with a cloth or paper towel. Clean up all water or spilled fluids immediately.



### Tripping Hazard

Personal injury can result from tripping over power cords, tools, or other items. DO NOT leave items laying around the work area.



## Personal Protection

Be sure to use all personal protective equipment, such as sturdy work boots, preferably with steel toes, gloves, and hard hat, if necessary, to ensure your own safety. To prevent possible damage to your hearing, always wear ear protection, such as earmuffs or earplugs, when working around power tools.



## Cutting Hazard

The installation of the Swanstone product may require using power tools. Keep hands away from the cutting edge of any tool used in the installation of our product. Placing fingers in or around the cutting blades could result in serious personal injury.



## Sharp Edge Hazard

After cutting the edge of a Swanstone drop-in vanity top, it can be sharp. Wear protective gloves to prevent personal injury.



## Room Temperature

Allow the Swanstone sink and silicone sealants to adjust to room temperature for at least six hours before installation. The product should not be installed at temperatures below 65°F.

# WARNING

**WARNING:** Indicates a potentially hazardous situation which, if not avoided, could result in serious injury or death.



## Eye Protection

Be sure to use all personal protective equipment to ensure your own safety. To avoid eye injury, always wear protective glasses with side shields when using power tools. Also, make sure no one else can be injured by flying particles when using power tools.



## Fire Hazard

Personal injury or death can result from a fire caused by flammable liquids or silicone sealants. Cleaners or solvents can be highly explosive, resulting in personal injury or even death, when not used properly. Clean up any flammable substance immediately. Sparks or open flames can cause flammable substances to ignite. DO NOT smoke while working on or near any flammable substance.



## Solvents Hazard

Follow all manufacturer's safety instructions for silicone sealants and denatured alcohol. Alcohol vapors are both flammable and hazardous to breathe. Silicone vapors may irritate eyes and nose. Personal injury can result from improperly handling or use of products, such as denatured alcohol. Always follow the manufacturer's recommendations for the safe use of these products. Ventilate any work area before beginning to apply silicone sealants, cleaning agents, or solvents.



## Fumes Hazard

The fumes from the silicone and solvents used by the installer can be harmful if used in an unventilated room. Always work in a well-ventilated area. To keep the area well-ventilated, open windows and use exhaust fans. If adequate ventilation is not achievable or practical, use respiratory protective equipment.



## Dust Hazard

When cutting or drilling the Swanstone product, use a dust collection method which prevents dust particles from going into the air. Always work in a well-ventilated area. Always use an OSHA approved dust mask when cutting, drilling, or sanding Swanstone products.



## Power Tool Hazard

To prevent personal injury or possible death, always follow the electrical safety recommendations of the power tool's manufacturer. Do not use power tools in an unsafe manner. Power tools should only be connected to a circuit protected by a ground-fault circuit interrupter (GFI).



## Shock Hazard

Never use electric power tools around water, condensation, or other liquids. Electric shock can cause severe burns, significant injuries, and even death. If an extension cord is required, always use an OSHA approved extension cord. Power cords should only be connected to a circuit protected by a ground-fault circuit interrupter (GFI).



## Electrical Shock Hazard

Contacting live electrical wiring with power tools or hand tools can cause serious injury or death. Make sure all related circuit breakers are turned OFF. Test for live circuits or wiring inside any wall where installation of the Swanstone product requires cutting into a wall.



## Electrocution Hazard

Water and other liquids conduct electric current and can create a short circuit, resulting in injury or death. Keep all liquids away from electrical cords and power tools. DO NOT create a short circuit between a source of electricity and a liquid by being in contact with both simultaneously.

## General Information

### Required Tools

- Drill
- Screwdriver
- Ruler/Tape Measure
- Safety Glasses
- 1/4" Twist Drill and 1-3/8" Hole Saw (Carbide Tipped)
- Silicone
- Caulking Gun
- Dust Mask
- Denatured Alcohol
- Color-Matched Silicone Sealant
- Construction Adhesive (For Undermount Installation)
- 3/4" Plywood Cut to 3" Strips (For Undermount Installation)

### ADA Applications

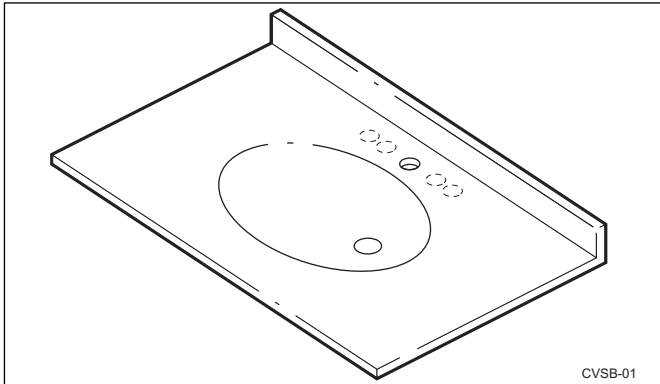
These products meet the dimensional requirement to allow for installation in ADA applications. For up-to-date ADA regulations, visit [www.ADA.gov](http://www.ADA.gov).

## General Information

### Sink Contents

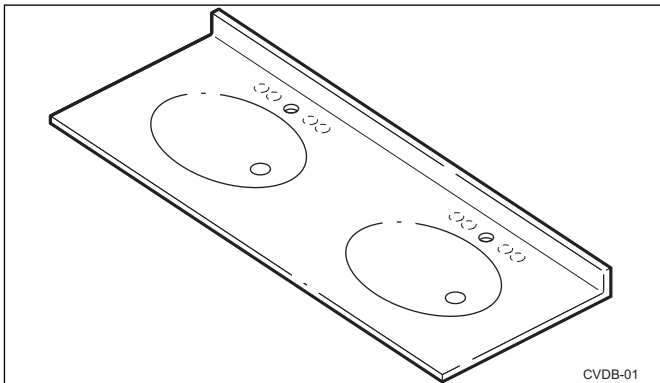
Confirm that all parts for the vanity top or bowl have been included before beginning installation.

### Chesapeake Vanity (Single Bowl)



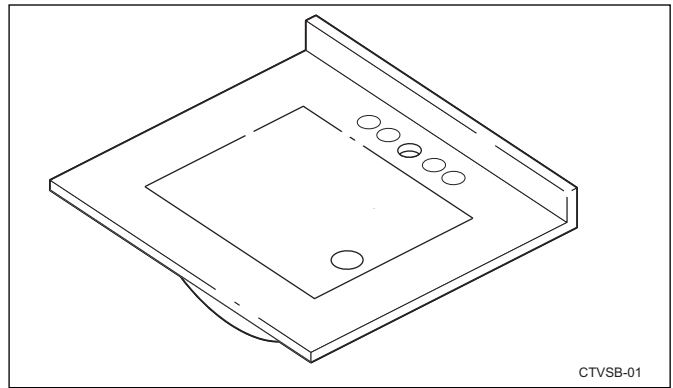
- CH1B-2225 (22-1/2"D x 25"W)
- CH1B-2231 (22-1/2"D x 31"W)
- CH1B-2237 (22-1/2"D x 37"W)
- CH1B-2243 (22-1/2"D x 43"W)
- CH1B-2249 (22-1/2"D x 49"W)
- CH1B-2255 (22-1/2"D x 55"W)
- CH1B-2261 (22-1/2"D x 61"W)

### Chesapeake Vanity (Double Bowl)



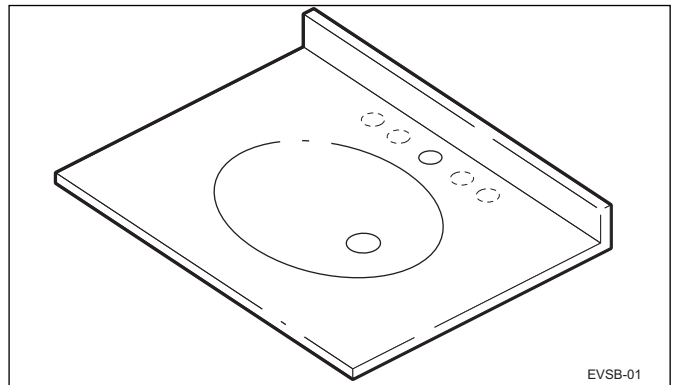
- CH2B-2261 (22-1/2"D x 61"W)
- CH2B-2273 (22-1/2"D x 73"W)

### Contour Vanity (Single Bowl)



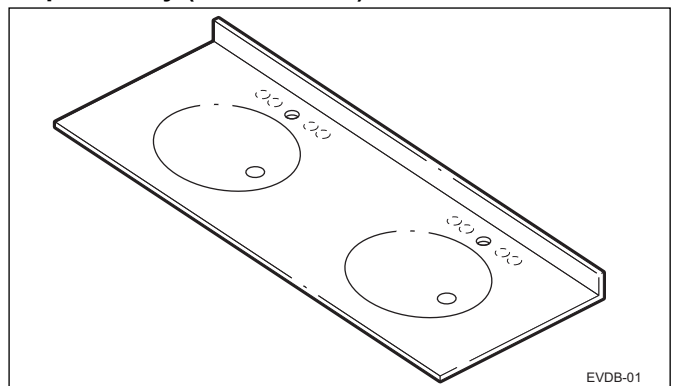
- CV-2225 (22"D x 25"W)
- CV-2231 (22"D x 31"W)
- CV-2237 (22"D x 37"W)
- CV-2243 (22"D x 43"W)
- CV-2249 (22"D x 49"W)

### Ellipse Vanity (Single Bowl)



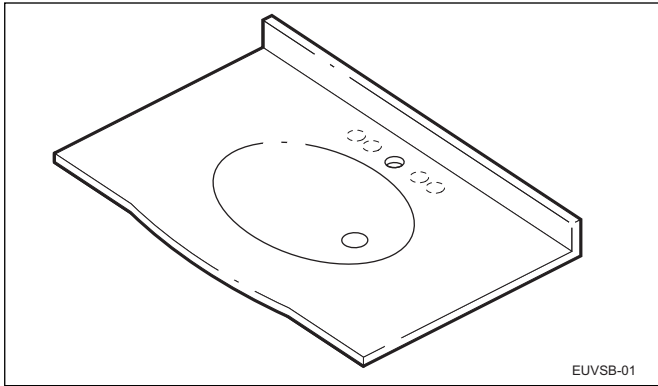
- VT1B-1719 (17"D x 19"W)
- VT1B-1925 (19"D x 25"W)
- VT1B-1931 (19"D x 31"W)
- VT1B-1937 (19"D x 37"W)
- VT1B-2225 (22"D x 25"W)
- VT1B-2231 (22"D x 31"W)
- VT1B-2237 (22"D x 37"W)
- VT1B-2243 (22"D x 43"W)
- VT1B-2249 (22"D x 49"W)
- VT1B-2255 (22"D x 55"W)
- VT1B-2261 (22"D x 61"W)

### Ellipse Vanity (Double Bowl)



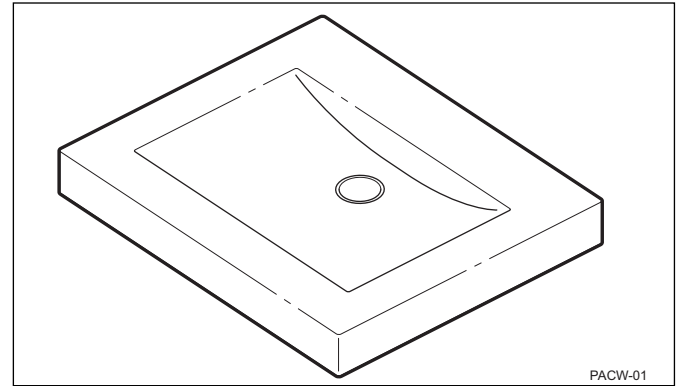
- VT2B-2261 (22"D x 61"W)

**Europa Vanity (Single Bowl)**



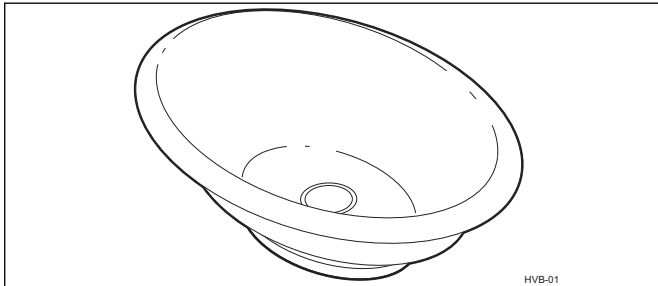
- EV-2225 (22-1/2"D x 25"W)
- EV-2231 (22-1/2"D x 31"W)
- EV-2237 (22-1/2"D x 37"W)
- EV-2243 (22-1/2"D x 43"W)
- EV-2249 (22-1/2"D x 49"W)
- EV-2255 (22-1/2"D x 55"W)
- EV-2261 (22-1/2"D x 61"W)

**Palladio Above-Counter Washbasin**



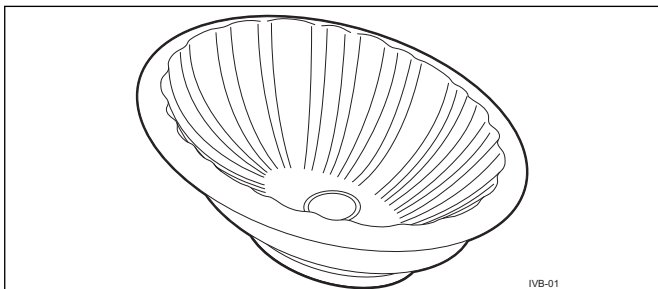
WB-2218 (18"D x 22"W)

**Hilo Vanity Bowl**



TRI-1815HL (18-1/16"W x 14-3/4"L)

**Islandia Vanity Bowl**



TRI-1815IS (18-1/16"W x 14-3/4"L)

**Vanity Top Accessories**

**Side Splash and Front Apron Panels**

**Side Splash Panel for Vanity Tops (one per carton)**

Model	Part	Dimensions
VT18-3SS	VT01803SS	18" W x 3" H x 3/8" D
VT19-SS	VT00019SS	19" W x 3" H x 3/4" D
VT21-3SS	VT02103SS	21" W x 3" H x 3/8" D
VT22-SS	VT00022SS	22" W x 3" H x 3/4" D

**Side Splash Panel for Chesapeake (one per carton)**

Model	Part	Dimensions
CHVTSS	CHVTSS	21-5/8" W x 3-1/2" H x 3/4" D

**Side Splash Panel for Europa (one per carton)**

Model	Part	Dimensions
EVTSS	EV00022SS	21-1/4" W x 3-1/2" H x 3/4" D

## Installation Procedure

### Unpack Carton

- Use care when opening the box not to damage the sink.
- This product is shipped to you or your retail center after careful inspection. After purchasing the sink, carefully unpack and inspect the product for any shipping damage that may have occurred. If damage is found, report it immediately to the store of purchase. After inspection and during installation, protect the products from construction damage, by moving them to another room or area until ready to install.
- Please use the model number located on the side of the box, or the front of this manual, when contacting us with questions concerning the installation of this unit.
- Make sure the sink is the correct size and in good condition. Installation of damaged product will void the warranty.

### Helpful Hints

- Read these instructions carefully and familiarize yourself with the various parts of the sink.
- The variety of installations possible for this sink may require procedures other than those shown. Ensure construction is correctly sized, plumb, and square.
- Allow sufficient time for the parts in this sink to adjust to room temperature. We do not recommend installation of this product at temperatures below 65 degrees.
- Store unused materials away from the work area to prevent accidental damage.
- Turn off the hot and cold water supply before starting installation.

### Caulking Tips

- Follow the instructions on the caulking tube.
- When job is complete, inspect all caulked areas for gaps and fill as needed.
- Clean up excess silicone using denatured alcohol and a clean cloth.
- Be very careful not to disturb caulk joints before they dry.

## Installation Procedure

### Disclaimer

- The information contained in this Installation Manual is given free of charge. It is based upon technical data which we believe to be reliable and is intended for use, by persons having knowledge of this technical area, at their own discretion and risk. Swanstone assumes no responsibility for results obtained or damage incurred from the use of this material either in whole or in part by the buyer.
- This manual will give you basic instructions for the installation of the product in a step-by-step sequence that will work in most types of installations. If you have an installation application that is not covered in this manual, please call your local Swanstone distributor or contact the Swan Corporation directly for additional information about your application.
- Follow all installation instructions. Failure to follow these instructions could result in personal injuries, water damage, or other damage to floors, pipes, walls, or other portions of your building or home.

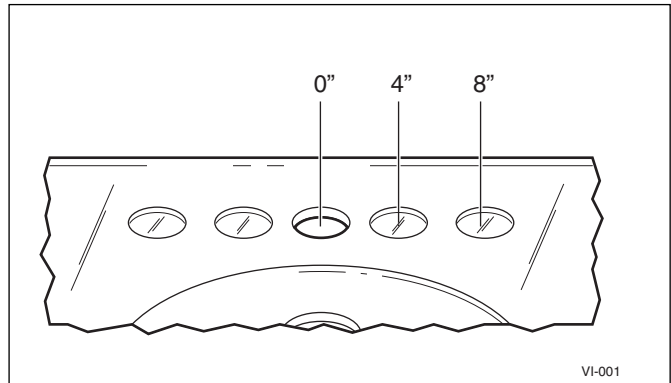
**Note:** Read All Instructions Before Beginning

### Trial Fit

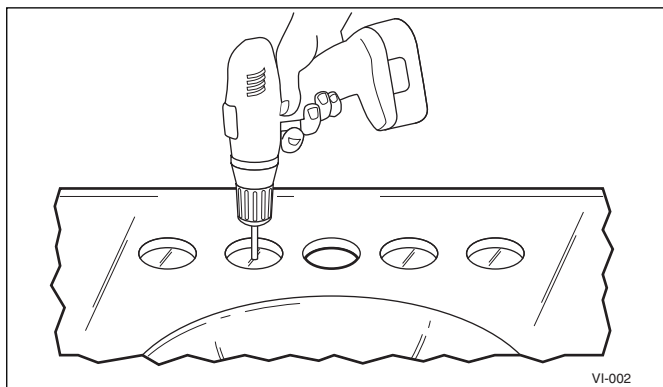
It may be necessary to trim the edge of the vanity top to fit snugly against the side wall. Install the trimmed edge against the wall.

### Faucet Holes

**Note:** All Swanstone sinks are manufactured with one predrilled hole. Optional locations for additional holes are located on the underside of the sink using marks (4" and 8") which are cast into the sink. Follow Steps 6 and 7 for drilling additional holes to meet the requirements of the sink faucet or other accessories.

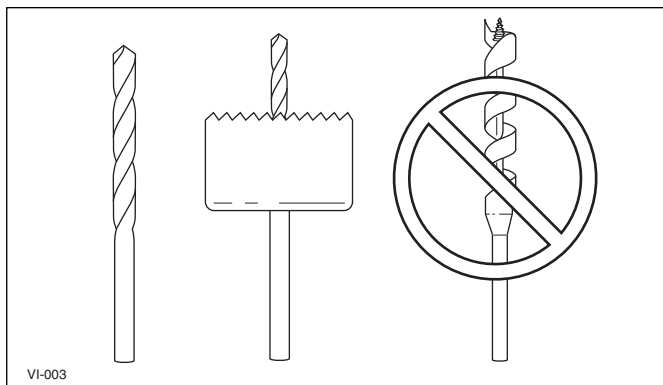


1. If necessary, identify the location of additional holes for the faucet or other accessories and drill a 1/4" pilot hole from the back side of the sink.

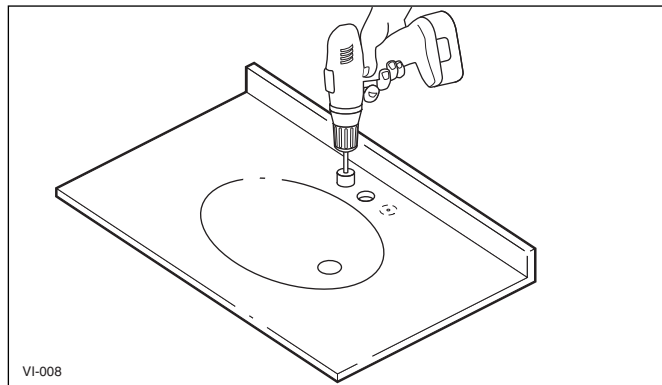


**IMPORTANT NOTICE**

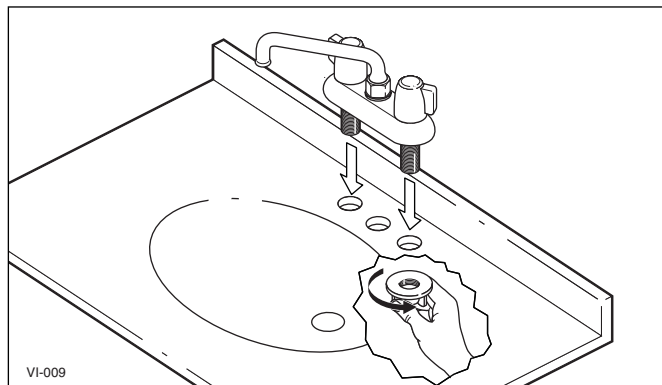
To prevent damage to the unit, do not use an auger style drill bit.



2. Drill fixture hole(s), using the 1/4" pilot hole for a guide, with a 1-3/8" hole saw.

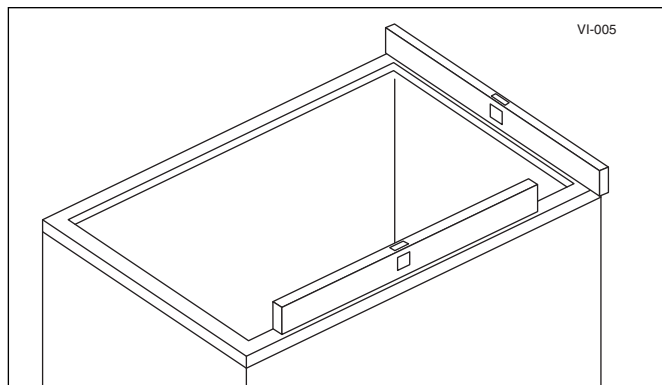


3. Faucet may be installed at this time per manufacturer's instructions.



## Vanity Top Installation — Cabinet Mount

1. Install cabinet per manufacturer's instructions.



**Note:** Make sure cabinet is level before installing vanity top.

**! WARNING**

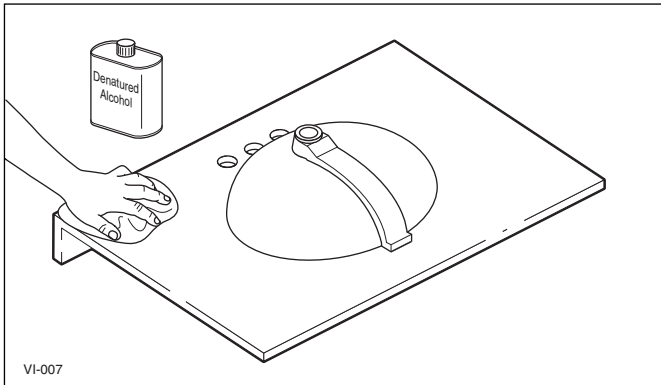


**Breathing Hazard**

When cutting or drilling the Swanstone product, use a dust collection method which prevents dust particles from going into the air. Always work in a well-ventilated area. To keep the area well ventilated, open windows and use exhaust fans. Always use an OSHA approved dust mask when cutting, drilling, or sanding Swanstone products.

## Installation Procedure

- Clean underside of vanity sink with denatured alcohol. Remove all dust and allow the surface dry completely.



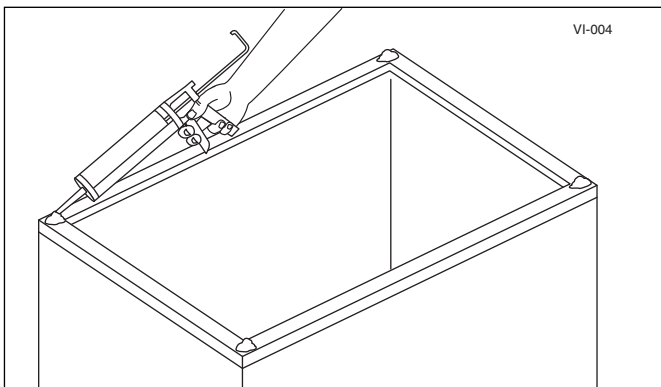
### **! WARNING**



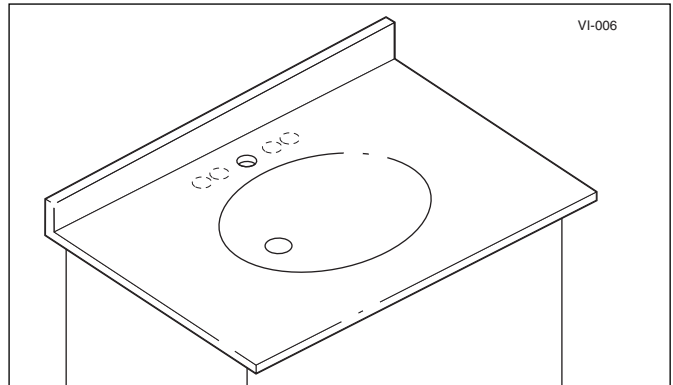
#### **Solvents Hazard**

Follow all manufacturers' safety instructions for silicone sealants and denatured alcohol. Alcohol vapors are both flammable and hazardous to breathe. Silicone vapors may irritate eyes and nose. Personal injury can result from improperly handling or use of products, such as denatured alcohol. Always follow the manufacturer's recommendations for the safe use of these products. Ventilate any work area before beginning to apply silicone sealants, cleaning agents, or solvents.

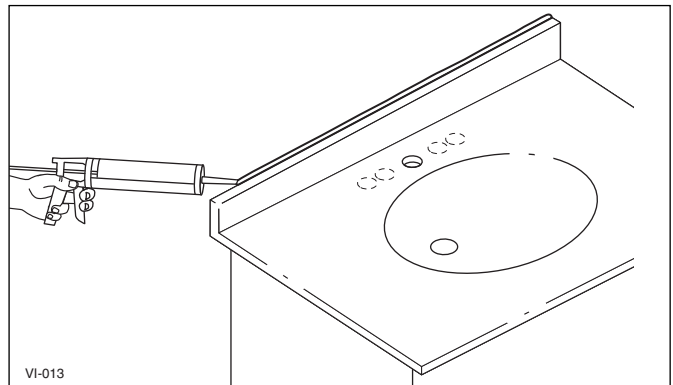
- Apply a bead of adhesive or silicone onto each corner of cabinet top.



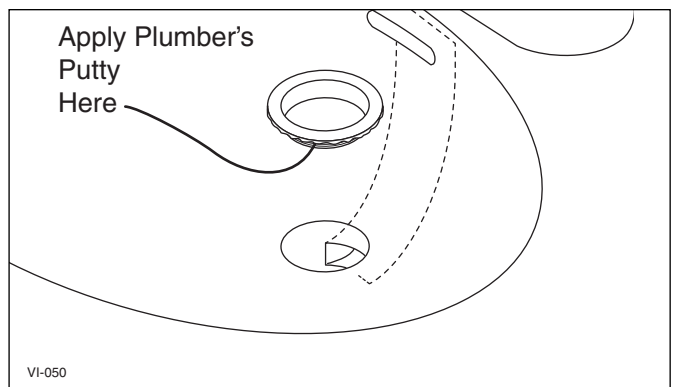
- Place Swanstone vanity top onto the cabinet, making sure vanity is seated properly.



- Wipe off any excess adhesive, and allow vanity top to set for 24 hours to ensure maximum adhesion.
- If desired, use a color-match silicone sealant (not included). Place a bead of sealant along the seam of the back splash panel and wall to create a moisture barrier.



- Apply sealant to the bottom side of the sink ring



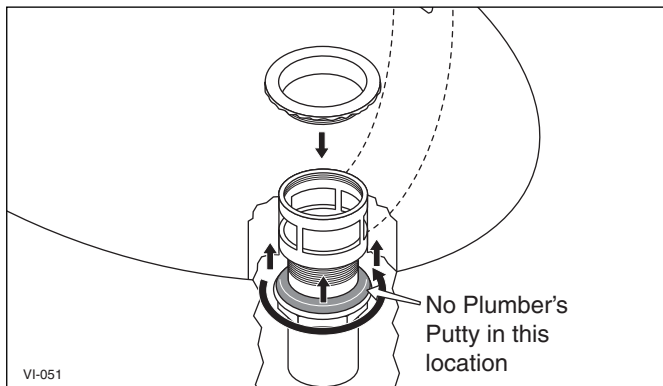
**Note:** When installing the sink ring and tail pipe, use plumber's putty sparingly and do not allow it to contact the plastic overflow assembly under the sink.



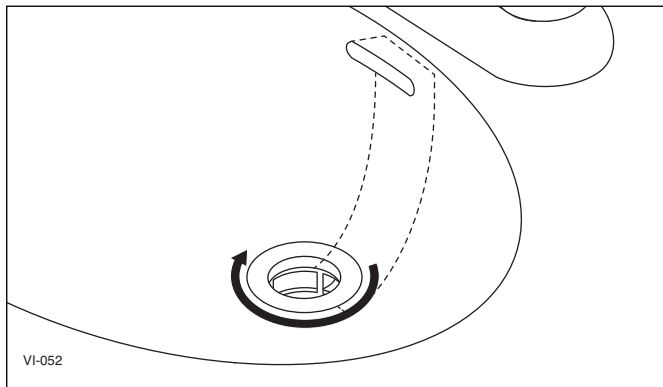
## IMPORTANT NOTICE

To prevent breakage or distortion of the overflow assembly, do not use oil-based caulking or plumber's putty near the overflow assembly. Oil-based plumber's putty will have a harmful effect on the plastic overflow assembly, resulting in a leak. If a sealant is required between the overflow assembly and the tail pipe, use a silicone sealant.

8. Install tail pipe onto the sink ring.



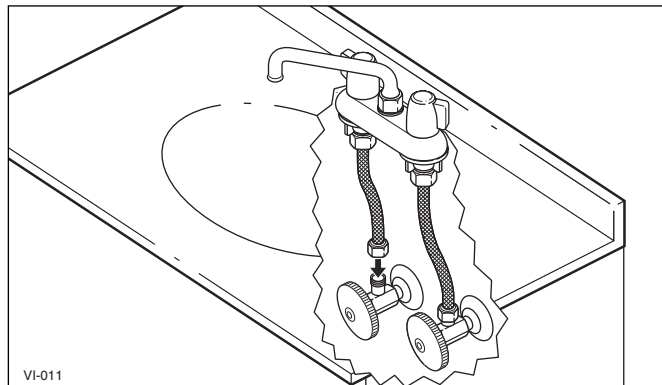
9. Tighten the tail pipe assembly onto the sink.



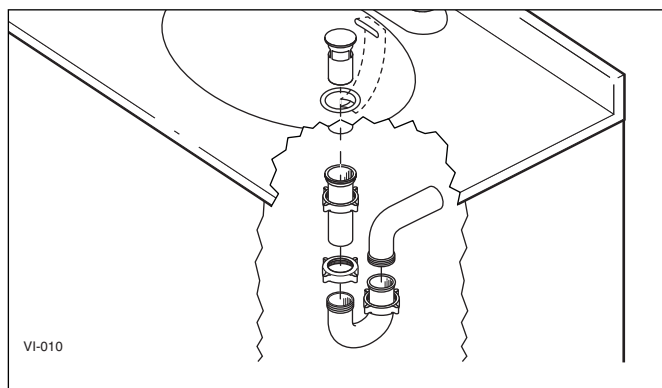
## IMPORTANT NOTICE

Do not overtighten the nut when installing the tail pipe. Hand-tighten the nut and then tighten NO MORE than one-half turn. Overtightening will break the overflow assembly and void the warranty.

10. Connect the faucet supply lines per the manufacturer's instructions.



11. Connect the drain lines and p-trap per the manufacturer's instructions.

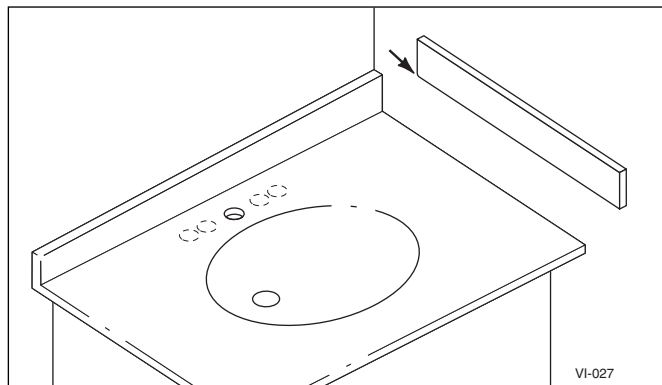


**Note:** Swanstone recommends using a licensed plumber for the installation of all necessary plumbing.

12. Turn on the water and check for leaks. Fix any leaks immediately.

## Optional Side Splash Panel Installation

1. Sand back corner of side splash panel to allow flush fitting to vanity top.



## Installation Procedure

### **! WARNING**



#### **Dust Hazard**

When sanding Swanstone product, use a dust collection method which prevents dust particles from going into the air. Always work in a well-ventilated area. To keep the area well ventilated, open windows and use exhaust fans. Always use an OSHA approved dust mask when cutting, drilling, or sanding Swanstone products.

2. Trial fit side splash to vanity top checking for proper fit. Sand and trim, as needed.
3. Clean the surfaces to be bonded with denatured alcohol, removing all dust and contaminants. Allow the surfaces to dry completely.

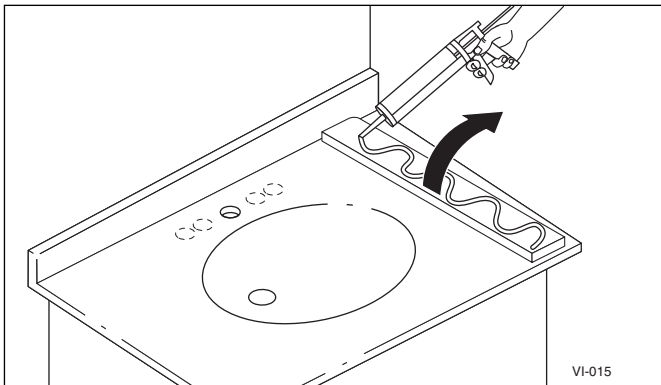
### **! WARNING**



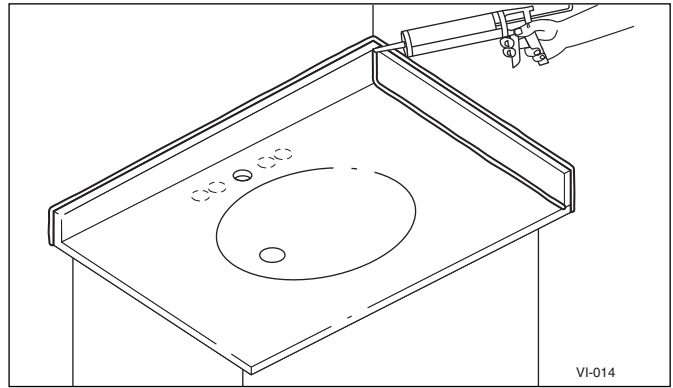
#### **Solvents Hazard**

Follow all manufacturers' safety instructions for silicone sealants and denatured alcohol. Alcohol vapors are both flammable and hazardous to breathe. Silicone vapors may irritate eyes and nose. Personal injury can result from improperly handling or use of products, such as denatured alcohol. Always follow the manufacturer's recommendations for the safe use of these products. Ventilate any work area before beginning to apply silicone sealants, cleaning agents, or solvents.

4. Apply a thin bead of adhesive or silicone onto back of side splash panel and attach it to the wall. Wipe off excess adhesive with denatured alcohol and allow adhesive to set for 24 hours for maximum adhesion.



5. Caulk all seams between wall and side/back splash to create a moisture barrier. If desired, use a proper color-matched silicone sealant (not included).

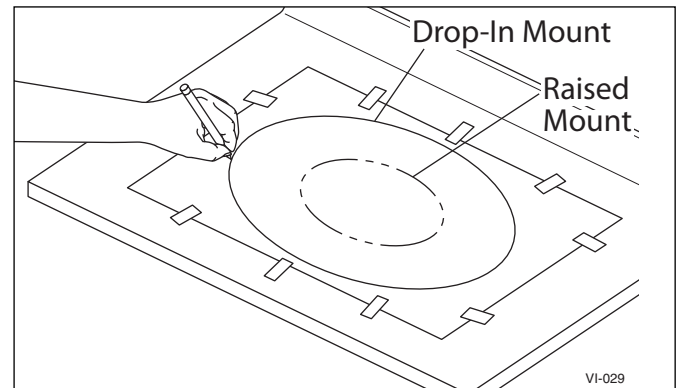


The installation is now complete. **DO NOT** discard these installation instructions. **PLEASE LEAVE THEM WITH THE HOMEOWNER.**

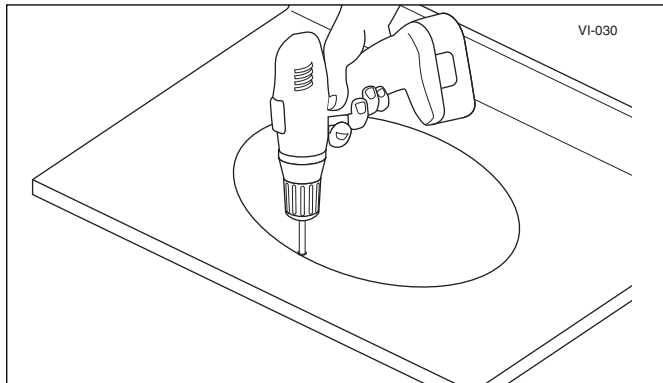
### Vanity Bowl Installation

**Note:** If vanity bowl installation is required to be ADA compliant, refer to the wall mount installation and ADA sections.

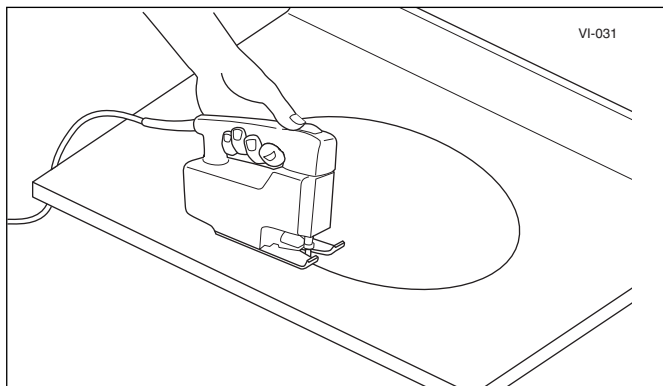
1. Determine desired installation and select appropriate template.
2. Cut out the vanity top inside of template.
3. Locate the template, making sure the bowl will not interfere with cabinet, wall mount, or plumbing.
4. Attach template to counter with masking tape and trace inside template with a pencil.



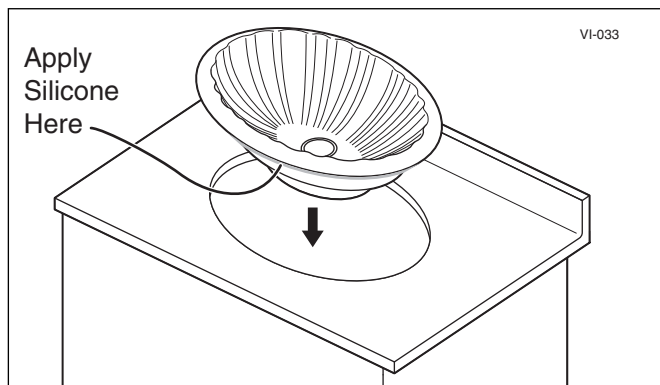
5. Drill starter hole inside of cutout line.



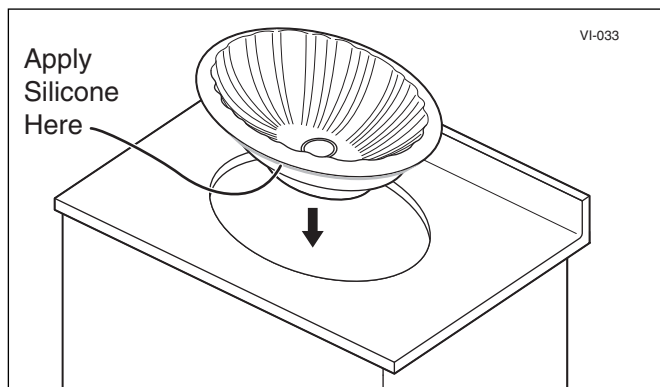
6. Use a saber saw to cut inside of cutout line.



9. If installing for raised mount, apply adhesive around base flange and set bowl in place.



10. If installing for drop-in mount, apply adhesive on the underside of bowl flange and set bowl into opening.



## ⚠ WARNING



### Dust Hazard

When sanding Swanstone product, use a dust collection method which prevents dust particles from going into the air. Always work in a well-ventilated area. To keep the area well ventilated, open windows and use exhaust fans. Always use an OSHA approved dust mask when cutting, drilling, or sanding Swanstone products.

7. Trial fit bowl and trim or sand as needed for proper fit.  
 8. Clean bowl with denatured alcohol. Remove all dust and let the surface dry completely.

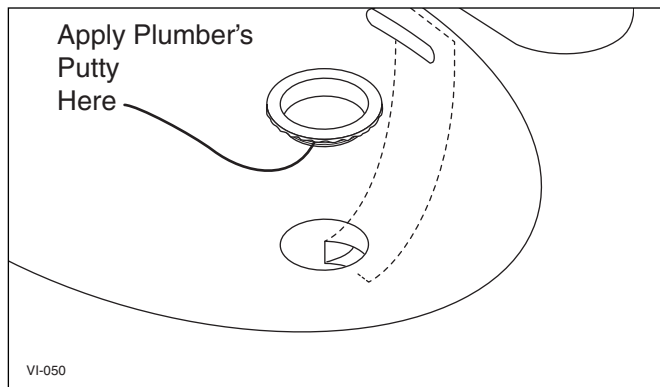
## ⚠ WARNING



### Solvents Hazard

Follow all manufacturers' safety instructions for silicone sealants and denatured alcohol. Alcohol vapors are both flammable and hazardous to breathe. Silicone vapors may irritate eyes and nose. Personal injury can result from improperly handling or use of products, such as denatured alcohol. Always follow the manufacturer's recommendations for the safe use of these products. Ventilate any work area before beginning to apply silicone sealants, cleaning agents, or solvents.

11. Install faucet per the manufacturer's instructions.  
 12. Apply sealant to the bottom side of the sink ring



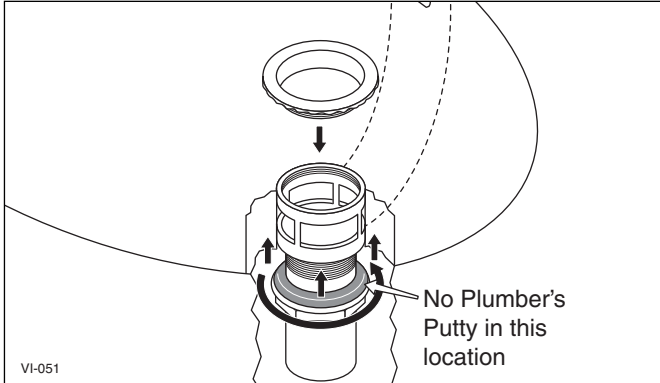
**Note:** When installing the sink ring and tail pipe, use plumber's putty sparingly and do not allow it to contact the plastic overflow assembly under the sink.

## Installation Procedure

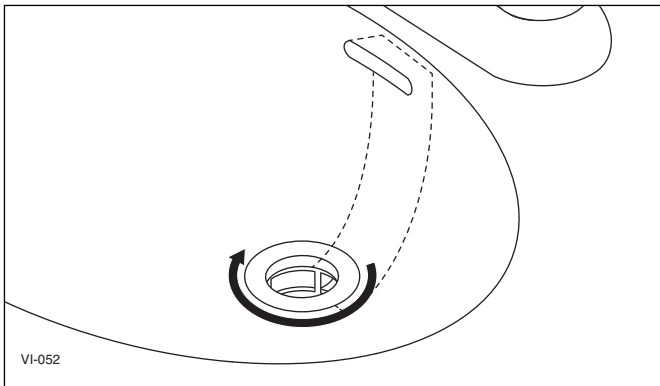
### IMPORTANT NOTICE

To prevent breakage or distortion, do not use oil-based caulking or putty to connect the overflow assembly. Oil-based plumber's putty will have a harmful effect on the overflow assembly, resulting in a leak. If a sealant is required between the overflow assembly and the tail pipe, use silicone sealant.

13. Install tail pipe onto the sink ring.



14. Tighten the tail pipe assembly onto the sink



### IMPORTANT NOTICE

Do not overtighten the nut when installing the tail pipe. Hand-tighten the nut and then tighten NO MORE than one-half turn. Overtightening will break the overflow assembly and void the warranty.

15. Turn on water and check for leaks.

### Undermount Installation

**Note:** If undermount installation is required to be ADA compliant, refer to the wall mount installation and ADA sections.

**Note:** Steps 1 through 3 are working from top of the countertop.

1. Position template on countertop in desired location.

2. Cut opening and finish the edge of the hole.

### ! WARNING

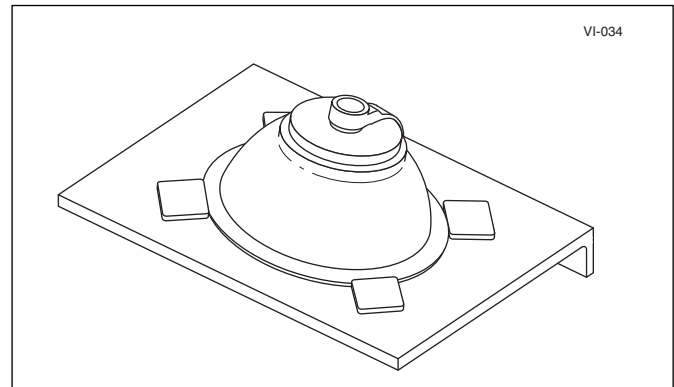


#### Dust Hazard

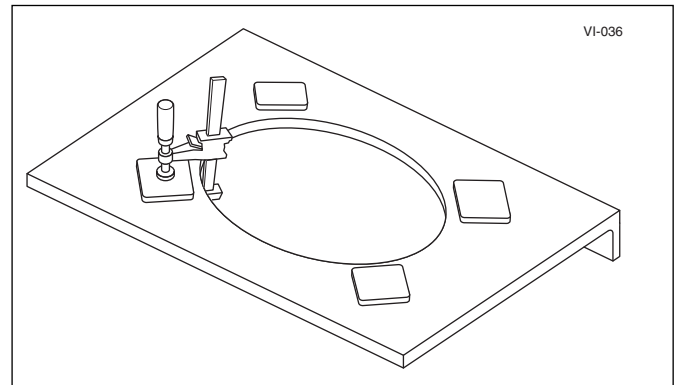
When sanding Swanstone product, use a dust collection method which prevents dust particles from going into the air. Always work in a well-ventilated area. To keep the area well ventilated, open windows and use exhaust fans. Always use an OSHA approved dust mask when cutting, drilling, or sanding Swanstone products.

**Note:** Remaining steps are working from underside of the countertop.

3. Place bowl into desired position, making sure that overhang is uniform and aligned with the cutout.
4. Using 3" wide strips of 3/4" thick plywood, trial fit the pieces around bowl perimeter making sure not to cover faucet openings. Make sure there is 1/4" space between plywood strips and bowl flange.



5. Using construction adhesive, fasten plywood strips to countertop surface. For maximum adhesion of plywood strip to countertop, use the manufacturer's recommended curing time.



6. Clean bowl and bottom of the countertop surface with denatured alcohol. Remove all dust. Let the surface dry completely.

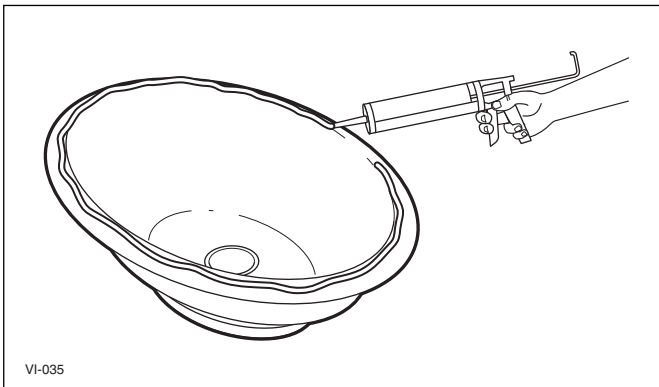
## ⚠ WARNING



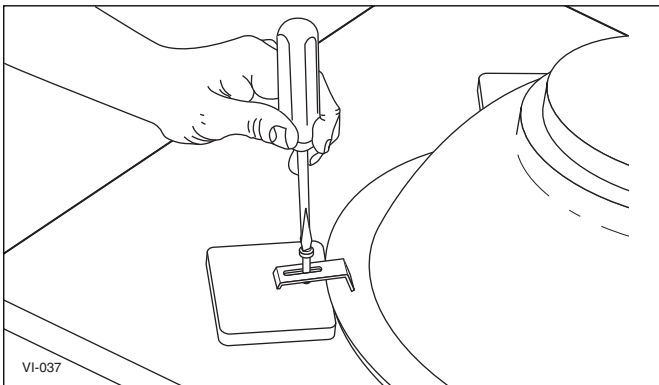
### Solvents Hazard

Follow all manufacturers' safety instructions for silicone sealants and denatured alcohol. Alcohol vapors are both flammable and hazardous to breathe. Silicone vapors may irritate eyes and nose. Personal injury can result from improperly handling or use of products, such as denatured alcohol. Always follow the manufacturer's recommendations for the safe use of these products. Ventilate any work area before beginning to apply silicone sealants, cleaning agents, or solvents.

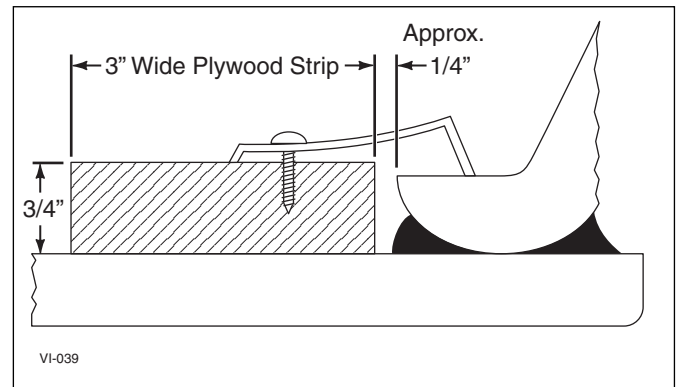
- Apply a bead of silicone around top of bowl flange. Align and place the bowl onto the countertop.



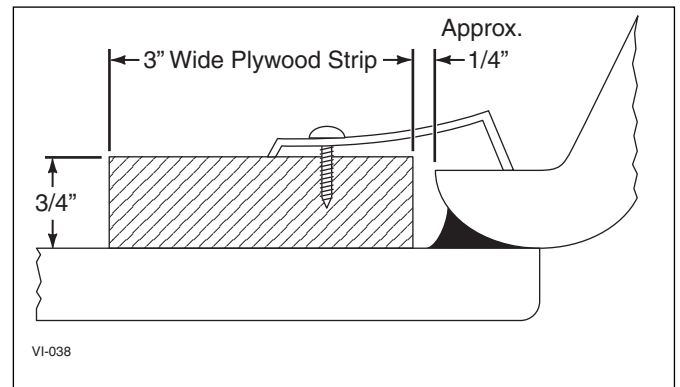
- Attach the sink with clips and screws. Loosely tighten the screws.



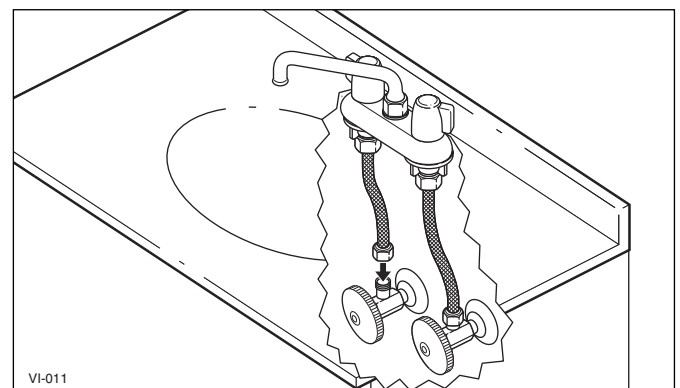
- If mounting the bowl with an undermount overlap, bowl should be positioned, as shown.



- If mounting the bowl with an undermount reveal, bowl should be positioned, as shown.

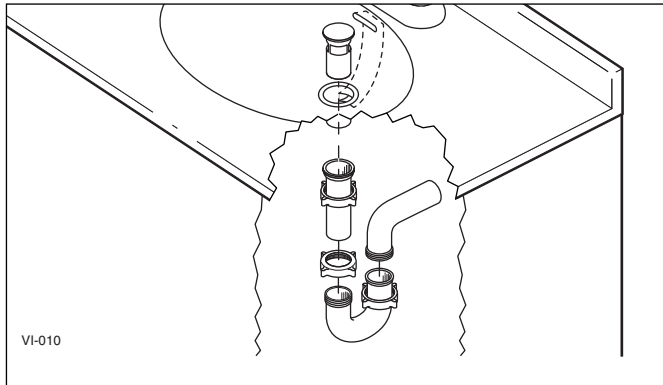


- Verify bowl is in correct position and has not shifted, then completely tighten screws. Do not overtighten.
- Use a soft cloth with mineral spirits to remove any excess silicone.
- Check for a consistent seal of silicone around inside perimeter of bowl and countertop. Add silicone if necessary.
- Connect the faucet supply lines per the manufacturer's instructions.



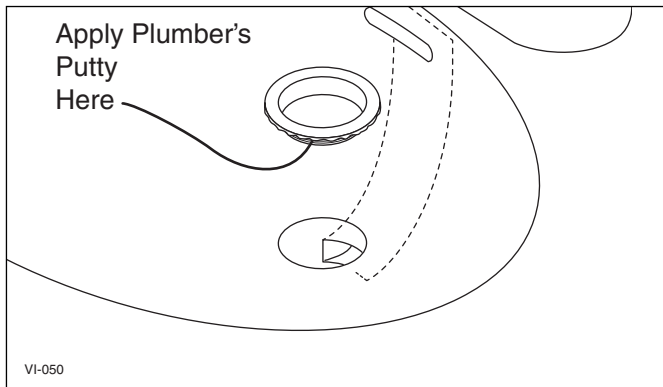
## Installation Procedure

15. Connect the drain lines and p-trap per the manufacturer's instructions.



**Note:** Swanstone recommends using a licensed plumber for the installation of all necessary plumbing.

16. Apply sealant to the bottom side of the sink ring.

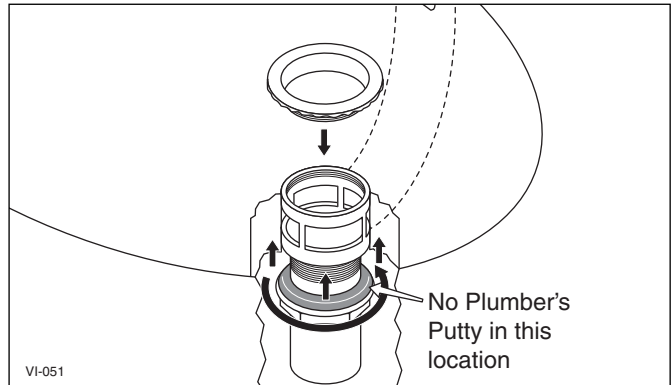


**Note:** When installing the sink ring and tail pipe, use plumber's putty sparingly and do not allow it to contact the plastic overflow assembly under the sink.

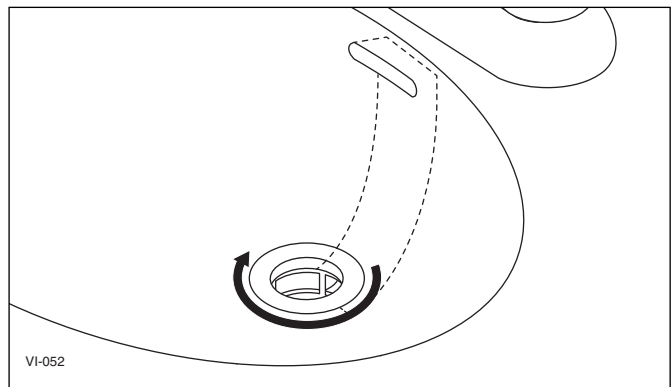
### IMPORTANT NOTICE

To prevent breakage or distortion of the overflow assembly, do not use oil-based caulking or plumber's putty near the overflow assembly. Oil-based plumber's putty will have a harmful effect on the plastic overflow assembly, resulting in a leak. If a sealant is required between the overflow assembly and the tail pipe, use a silicone sealant.

17. Install tail pipe onto the sink ring.



18. Tighten the tail pipe assembly onto the sink



### IMPORTANT NOTICE

Do not overtighten the nut when installing the tail pipe. Hand-tighten the nut and then tighten NO MORE than one-half turn. Overtightening will break the overflow assembly and void the warranty.

19. Turn on water and check for leaks.

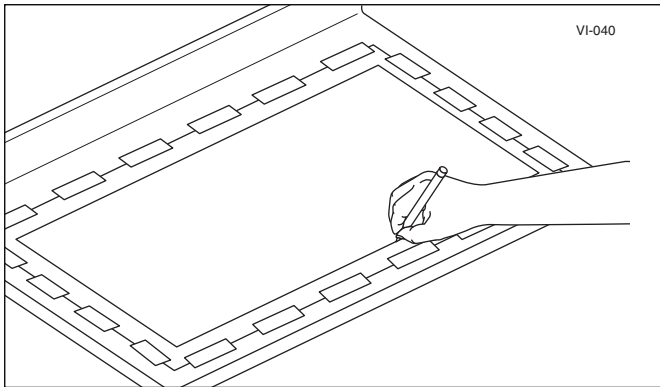
**The installation is now complete. DO NOT discard these installation instructions. PLEASE LEAVE THEM WITH THE HOMEOWNER.**

## Palladio Installation

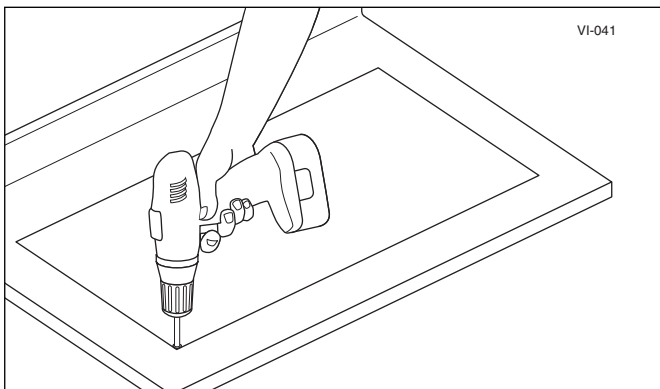
The Swanstone Palladio bowl comes with the center hole drilled. Standard hole patterns are designed for 4" or 8" faucets on the underside. Refer to Faucet Holes section for instructions on drilling faucet openings.

1. Cut out inside of template.
2. Locate and place template onto countertop, making sure bowl will not interfere with cabinet, wall mount, or plumbing.

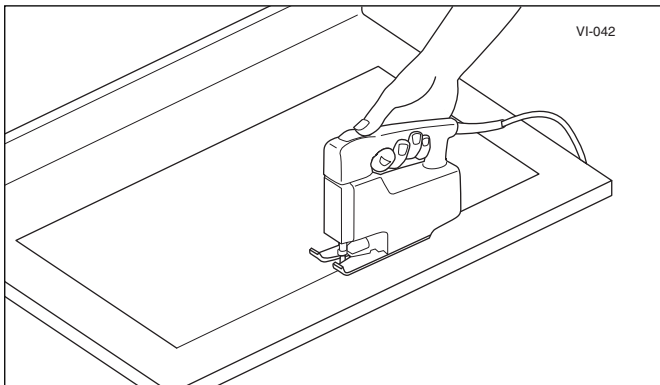
- Attach template to counter with masking tape and trace inside template with a pencil.



- Drill starter hole inside of cutout line.



- Use a saber saw to cut inside of cutout line.



## ! WARNING



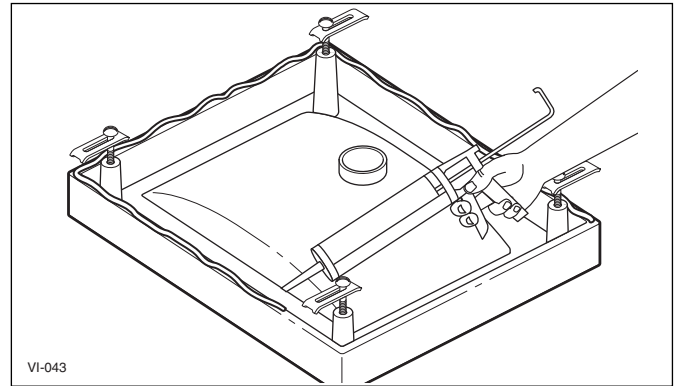
### Dust Hazard

When sanding Swanstone product, use a dust collection method which prevents dust particles from going into the air. Always work in a well-ventilated area. To keep the area well ventilated, open windows and use exhaust fans. Always use an OSHA approved dust mask when cutting, drilling, or sanding Swanstone products.

- Trial fit bowl for proper fit. Trim or sand as needed for proper fit.

800-325-7008

- Install faucet per the manufacturer's instructions.
- Clean bowl flange and countertop with denatured alcohol. Remove all dust. Let the surfaces dry completely.
- Apply a bead of silicone around the underside of sink flange and position it over the countertop opening.



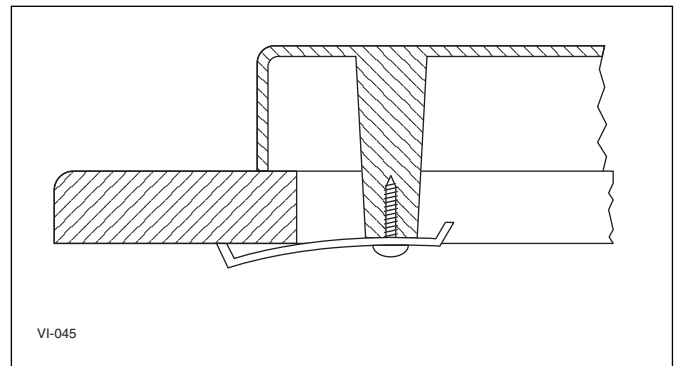
## ! WARNING



### Solvents Hazard

Follow all manufacturers' safety instructions for silicone sealants and denatured alcohol. Alcohol vapors are both flammable and hazardous to breathe. Silicone vapors may irritate eyes and nose. Personal injury can result from improperly handling or use of products, such as denatured alcohol. Always follow the manufacturer's recommendations for the safe use of these products. Ventilate any work area before beginning to apply silicone sealants, cleaning agents, or solvents.

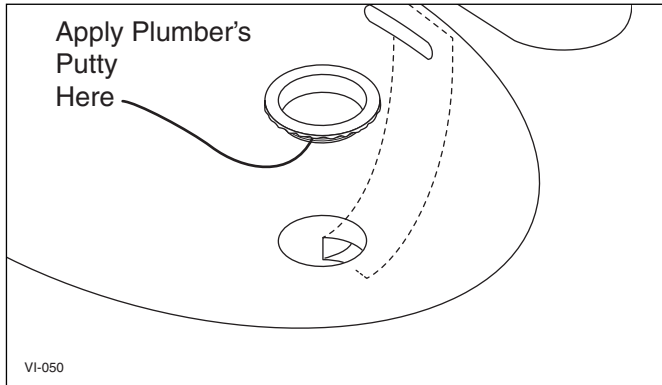
- Tighten the clips in front and rear of sink.



- Use a soft cloth with mineral spirits to remove any excess silicone.

## Installation Procedure

12. Apply sealant to the bottom side of the sink ring

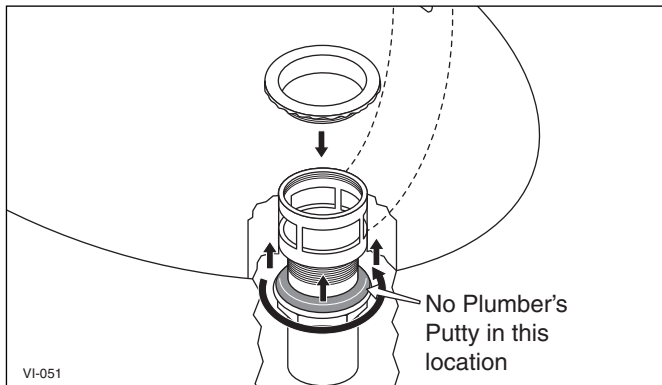


**Note:** When installing the sink ring and tail pipe, use plumber's putty sparingly and do not allow it to contact the plastic overflow assembly under the sink.

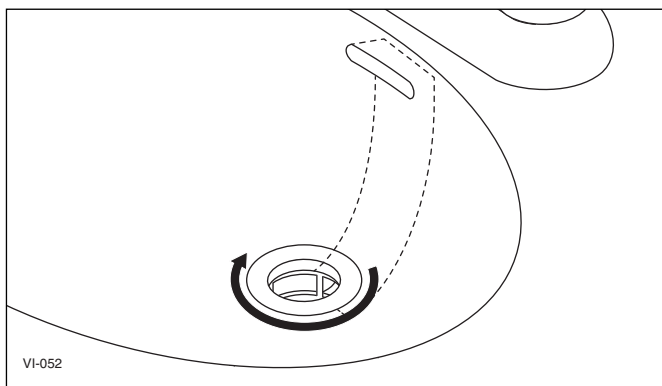
### IMPORTANT NOTICE

To prevent breakage or distortion of the overflow assembly, do not use oil-based caulking or plumber's putty near the overflow assembly. Oil-based plumber's putty will have a harmful effect on the plastic overflow assembly, resulting in a leak. If a sealant is required between the overflow assembly and the tail pipe, use a silicone sealant.

13. Install tail pipe onto the sink ring.



14. Tighten the tail pipe assembly onto the sink



### IMPORTANT NOTICE

Do not overtighten the nut when installing the tail pipe. Hand-tighten the nut and then tighten **NO MORE** than one-half turn. Overtightening will break the overflow assembly and void the warranty.

15. Connect the faucet supply lines per the manufacturer's instructions.
16. Connect the drain lines and p-trap per the manufacturer's instructions.
17. Check for leaks.

**The installation is now complete. DO NOT discard these installation instructions. PLEASE LEAVE THEM WITH THE HOMEOWNER.**



## ADA Installation Recommendations

In order to comply with ADA requirements, the lavatory must have adequate floor clearances in front of the sink. It must also be installed at the proper height with the specified leg and wheel chair clearance under the sink. For complete wall mount instructions, refer to the Wall Mount Vanity Tops and Bowls, form number 1255.

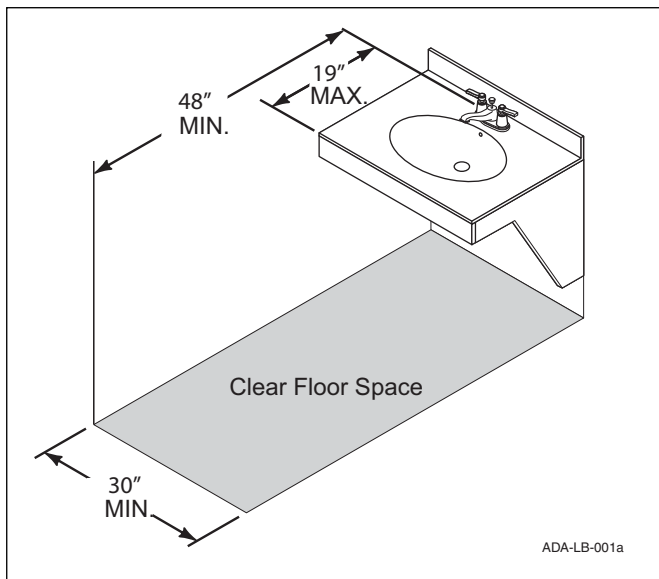
### IMPORTANT NOTICE

Installing the vanity top using the supplied specifications does not imply the bathroom in which it is installed will comply with ADA standards. It is the responsibility of the installer/designer to ensure that all the components of the bathroom are in compliance with ADA standards, including the lavatory.

For complete guidelines and compliance, refer to ADA Section 606 Lavatories of the Act.

### Clear Floor Space

A clear floor space, in front of the sink, for a forward approach must be at least 30" (76.2 cm) wide and 48" (121.9 cm) long, as shown in the illustration. These measurements are in compliance with ADA standard 606.2.

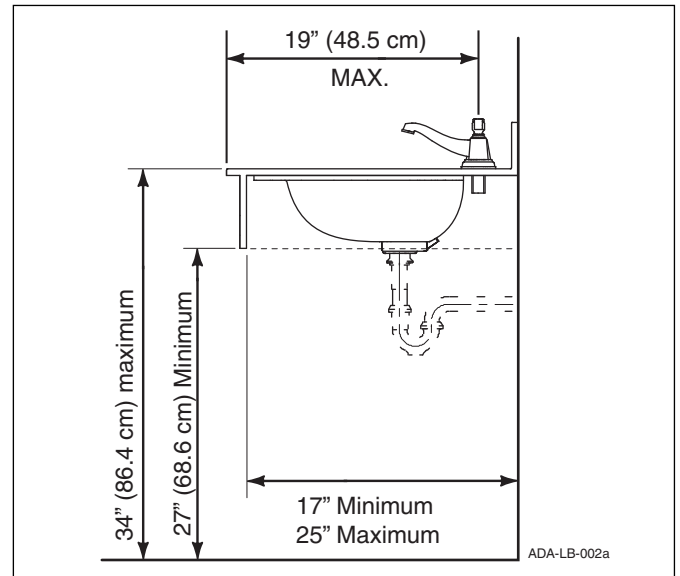


**Note:** In residential bathrooms, cabinetry is permitted under lavatory sink provided that all of the following conditions are met:

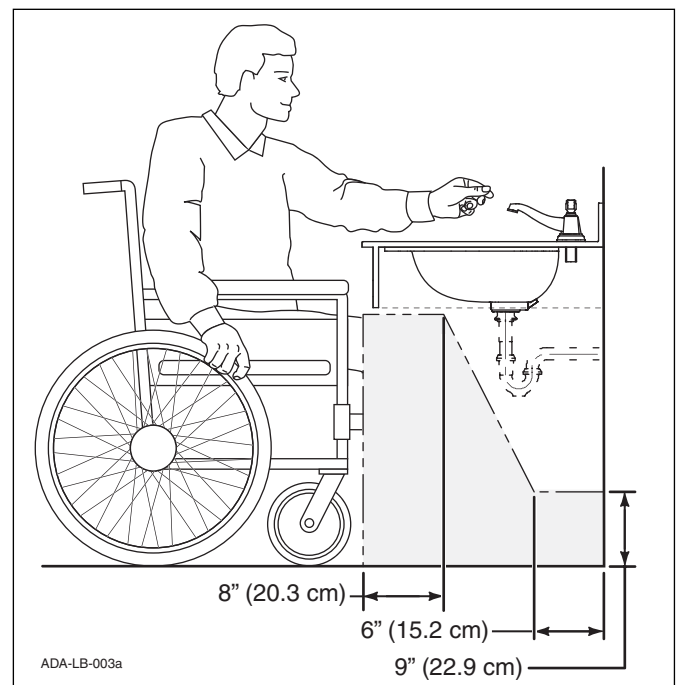
- the cabinetry can be removed without removal or replacement of the fixture;
- the finish floor extends under the cabinetry; and
- the walls behind and surrounding the cabinetry are finished.

## Accessibility Requirements

**Note:** Only lavatory installations in a public space must comply with the knee and toe clearance dimensions, however we recommend these standards be used for both private and commercial installations. Also make sure that all state and local building codes are followed when installing this unit.



- The top of the vanity should not exceed 34" (86.4 cm) from the floor.
- The "knee space" below the apron of the vanity top should be a minimum of 27" (68.6 cm) from the floor.
- The front edge of the sink should be between 17" (43.2 cm) and 25" (63.5 cm) from the wall.
- The faucet should be a maximum of 19" (48.5 cm) from the front of the sink.



- No part of the sink or the plumbing should be within the gray area shown in the drawing.

## Care and Cleaning

The Swanstone products are stain and abrasion resistant; however, the finish requires reasonable care.

### IMPORTANT NOTICE

Because cleaning products change over time, always check the manufacturer's instructions to make sure it is compatible with plastic. DO NOT use a cleaner if the label indicates it should not be used on plastics. DO NOT use spray-on cleaners that require daily use without immediately rinsing with water to stop the chemical cleaning reaction because damage will result and void the warranty.

## Day-To-Day Cleanup

Clean your Swanstone vanity top with powdered abrasive cleaners. Use of a Scotch Brite pad is recommended to remove stubborn stains. Occasional use of a mild bleach and water solution ensures that the original luster is maintained.

Simply wipe the surfaces with a clean towel to remove watermarks and residues. All Swanstone products can be cleaned with warm water, a soft cloth, and normal household detergents or cleansers, such as Fantastic, Formula 409, Clorox Clean-up, Handy Andy, Mr. Clean, or Lestoil. Always rinse off cleaners within five minutes of application.

Occasional scrubbing with household abrasive cleaners ensures that the original luster is maintained.

For the most stubborn stains, fill the Swanstone vanity bowl about one-quarter full with a 50/50 solution of bleach and water. After ten or fifteen minutes of soaking, drain solution from the bowl as you wash and rinse both sides and bottom.

**Note:** Do not use steel wool or metal scouring pads

Cleaners designed to remove iron or rust should not harm Swanstone.

White automotive rubbing compound may be used to remove stubborn marks or discoloration.

## Surface Repair

### Light Scratches

Use 400 grit sandpaper to remove light scratches in the surface.

### Deep Scratches or Gouges

For deeper scratches or gouges, use 220 or 320 grit sandpaper. A "Scotchbright pad" can be used to blend the repair into the surrounding area.

## Warranty

If a Swan product covered by this warranty is found to be defective in materials or workmanship, after inspection by an authorized Swan Corporation representative, we will repair, or at our option, exchange the product for a similar model. This warranty extends for a designated period of time, so long as it remains in use in its original place of installation.

This warranty covers products installed in accordance with the Swan Corporation's installation instructions, used as recommended, and not damaged due to misuse, abuse, or improper installation. It does not apply to any seams or changes made to the product by professional tradesmen or fabricators.

The Swan Corporation's option to repair or exchange the products under this warranty does not cover any labor or other costs of removal or installation, nor shall the Swan Corporation be responsible for any other incidental or consequential damages attributable to a product defect or to the repair or exchange of a defective product.

### Residential Limited Lifetime Warranty

The warranty applies only to the original purchaser and installation of these products in residential applications. It does not apply to commercial applications.

### Commercial 25-Year Limited Warranty

The warranty applies only to the original purchaser and installation of these products in commercial applications.



**Save these Installation Instructions for future reference. They provide important information on cleaning, maintenance, and surface repair of the Swanstone Products.**

