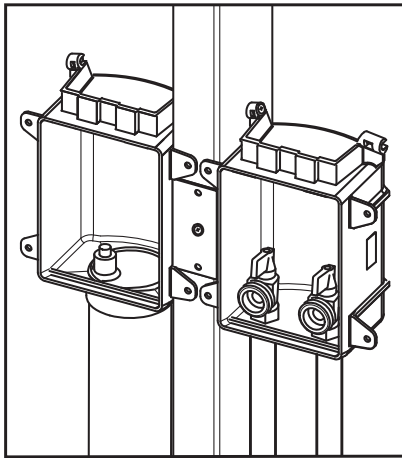




Fire-Rated OxBox™

Installation Guide | Guía de Instalación | Guide d'Installation

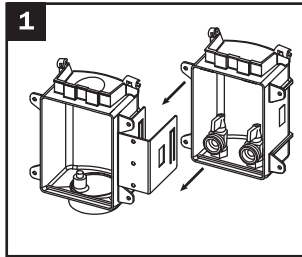


Conforms to ASTM E-814
- 2 hrs. (F) , 1.5 hrs. (T)

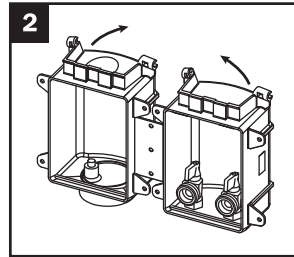
Conforms to ASTM E-119
Package includes factory-installed
intumescent pads.

Ajuste a ASTM E-814
- 2 hrs. (F) , 1.5 hrs. (T)

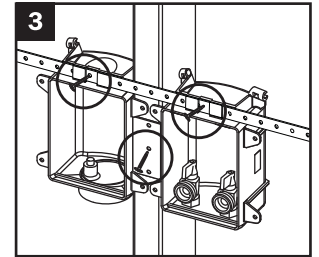
Ajuste a ASTM E-119
El paquete incluye almohadilla intumescentes instaladas por la fabrica.



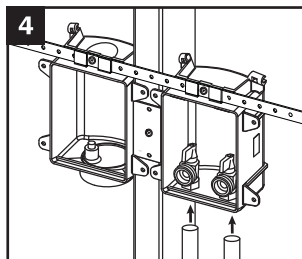
1
Slide boxes onto clip in desired layout
Deslice cajas hacia la abrazadera en diseño deseado
Faites glisser les boîtes sur la clip dans la disposition souhaitée



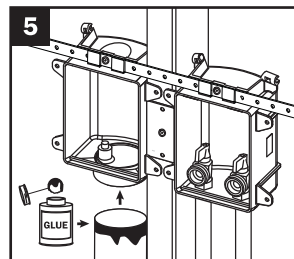
2
Squeeze and bend clip slightly to hold the stud.
If going between studs, slide bracket into top track
Apriete y doble la abrazadera levemente para fijar el perno. Si va por dentro de los pernos, deslice soporte hacia riel de arriba
Pressez et pincez légèrement pour tenir sur le montant. Si vous passez entre les montants, faites glisser le support dans la partie supérieure



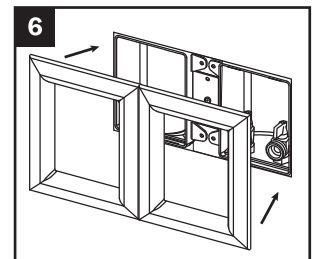
3
Secure assembly to stud or to support bracket
Asegure la asamblea al puntal o al riel de soporte
Fixer l'assemblage au montant ou au support



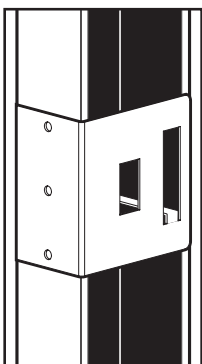
4
Connect supply lines according to industry standards. Open valves before any soldering
Conecte líneas de alimentación de acuerdo a los estándares de industria. Abra las válvulas antes de soldar
Raccorder les conduites d'alimentation selon les normes de l'industrie. Ouvrir les robinets avant toute soudure



5
Connect drain pipe. Apply glue to pipe only
Conecte la tubería de drenaje. Aplique pegamento a la tubería únicamente
Brancher le tuyau de vidange. Appliquer de la colle sur le tuyau uniquement

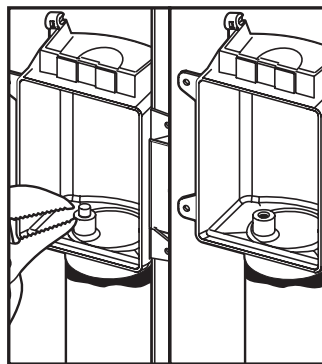


6
Remove test cap over drain line and install frame after wall finish
Remueva tapa de prueba sobre línea de drenaje e instale marco después de acabado de pared
Retirer le capuchon de test sur la ligne de drain et installer le cadre après la finition du mur



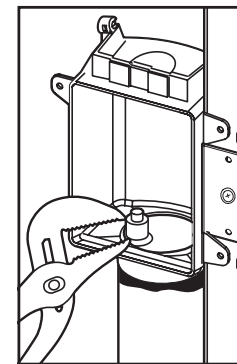
Metal Stud Support
Soporte de Metal del Montante
Support de Montant Métallique

Tabs fold down into metal stud for added rigidity
Las lengüetas doblan abajo dentro del puntal metálico para más rigidez
Les languettes se replient dans un poteau métallique pour plus de rigidité



Test the System
Prueba el Sistema
Testez le système

Twist off small tip. Connect 5/8" O.D. compression fitting for air or water test
Gire y estire punta pequeña. Conecte 5/8" O.D. accesorio de compresión para prueba de aire o agua
Tordre petit bout. Raccorder le raccord de compression 5/8" O.D. pour le test d'air ou d'eau



Remove Test Cap
Remueve la Tapa de Probar

Retirer le bouchon d'essai
Remove the test cap by clamping and twisting off the test nipple
Remueva la tapa de prueba con abrazando y girando y estire el manguito de unión de prueba
Retirer le capuchon d'essai en serrant et en dévissant le mamelon

Supply

Drainage

Support

Specialties

www.siouxchief.com

TAKE THE FIELD.



Fire-rated OxBox™

Design Specification

1. WALL CONSTRUCTION

- Wood or metal stud construction, max 100 in.² of penetrations per 100 ft² of wall.
- 16" or 24" on-center stud construction.
- Can be installed with a gap between front and back wall assemblies (UL Design # U341) (Figure 2).
- Single-layer 5/8" gypsum construction with 1-hour fire rating.
- Double-layer 5/8" gypsum construction with 2-hour fire rating. Frame extensions can be used.
- Boxes cannot be installed back to back.

2. PIPE/BOX SUPPORT

- Each outlet box shall be installed in a separate stud bay and attached to the stud (Figure 3 & 4). Fire rating does not apply to installations of two or more boxes in the same stud bay.
- Supplied support bar.
- Supply lines to be installed using ordinary methods.
- Drain line to be supported using ordinary methods.

3. PIPE MATERIAL

- 2" or larger metallic, PVC, or ABS DWV pipe.
- Metallic or plastic water supply pipe.

4. FIRESTOP DEVICE

Sioux Chief fire-rated OxBox uses fire-rated resin. Boxes have 4" x 4" intumescent adhesive pads factory installed on the back of boxes.

NOTE: Gaps up to 1/2" around box can be sealed with drywall plaster. Larger gaps require firestop sealant applied to opening spanning entire drywall depth

"over stud" installation

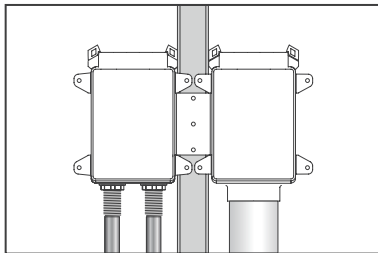


FIGURE 3

"separate stud bay" installation

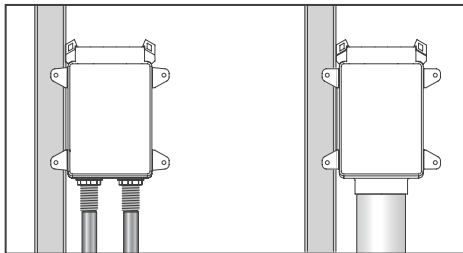


FIGURE 4

FIGURE 1

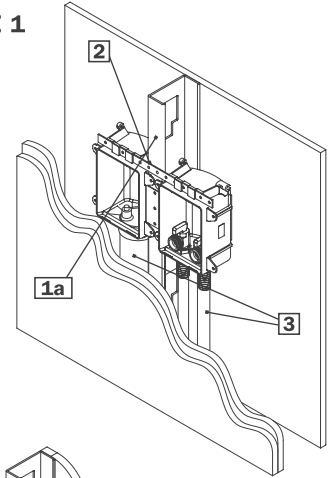
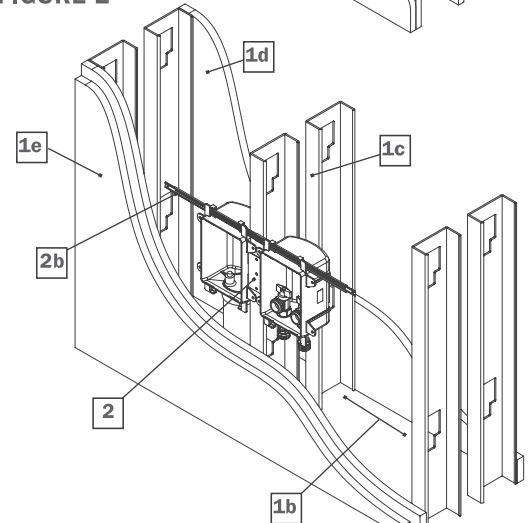


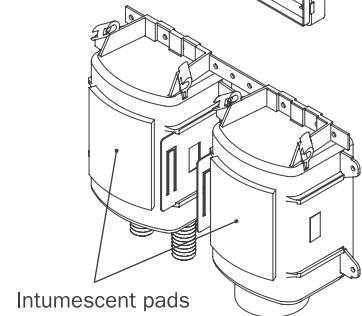
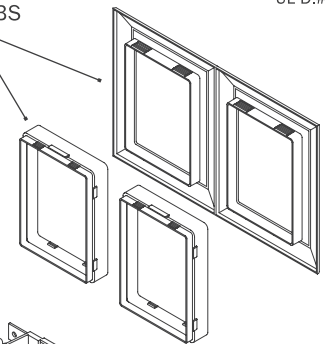
FIGURE 2



4

Fire-rated ABS

UL D.#U341



THE FIRE-RATED OXBOX IS CERTIFIED BY INTERTEK/WARNOCK HERSEY TO THE FOLLOWING FIRE RATING STANDARDS:

ASTM E-814
2 hours (F), 1½" hours (T)
for 2-hour design
1 hour (F), 31 mins (T)
for 1-hour design

ASTM E119

CAN/ULC S115
2 hours (F), 1½" hours (T)
for 2-hour design
1 hour (F), 31 mins (T)
for 1-hour design

UL 1479



Patent 7,360,553 and 7,735,551

www.siouxchief.com

14940 Thunderbird Road
Kansas City, MO 64147
P 1.800.821.3944
F 1.800.758.5950

