

Single stage operation oil burners



RETROFIT APPLICATIONS ONLY

If this burner is being installed in a packaged unit (ie. burner comes with a boiler or furnace), follow the installation and set-up instructions supplied with the heating unit, as settings may differ from those shown in this manual.

- *The following pages contain information, descriptions and diagrams for the proper installation and wiring of the burner. Please read carefully before attempting final installation.*
- *This manual is to remain with the final installation designation. It is the installer's responsibility to ensure that the burner installation and operation instructions mentioned in this manual are followed and operated within local code authority limits.*

This burner is not equipped for 2 line operation.

For 2 line operation order: part # C7001025 for BF3, C7001026 for BF5.

RIELLO 40BF

CODE	MODEL	TYPE
3729010	BF3	290T
3729110	BF5	291T



INSTALLATION PRECAUTIONS

AIR FOR COMBUSTION

Do not install burner in room with insufficient air for combustion. Be sure there is an adequate air supply for combustion if the boiler room is enclosed. It may be necessary to create a window to permit sufficient air to enter the boiler room. The installer must follow local ordinances in this regard.

CANADA It is suggested that the installer follow CSA standard B139.

USA It is suggested that the installer follow NFPA manual #31.

CHIMNEY

Be sure chimney is sufficient to handle the exhaust gases. It is recommended that only the burner be connected to the chimney. Be sure that it is clean and clear of obstructions.

OIL FILTER

An external oil filter is **REQUIRED**, even though there is an internal strainer in the pump. The filter should be replaced at least once a year, and the filter container should be thoroughly cleaned prior to installing a new filter cartridge.

DRAFT

Follow the instructions furnished with the heating appliance. The pressure in the combustion area should be kept as close to zero as possible. The burner will operate with a slight draft or pressure in the chamber.

ELECTRICAL CONNECTIONS

CANADA All electrical connections should be done in accordance with the C.E.C. Part 1, and all local codes. The system should be grounded.

USA All electrical connections should be done in accordance with the National Electrical Code, and all local ordinances. The system should be grounded.

CONTROL BURNER OPERATION

Check out the burner and explain its operation to the homeowner. Be sure to leave the Owner's Instruction sheet with the homeowner.

FIRE EXTINGUISHER

If required by local codes, install an approved fire extinguisher.

ELECTRICAL CONNECTIONS

In most localities, a number 14 wire should be used inside a metal conduit. The system should be grounded. A service switch should be placed close to the burner on a fireproof wall in an easily accessible location.



The burner settings used in this manual were obtained under laboratory conditions and may vary from those obtained in the actual installation of the burner. Combustion results must be verified using proper combustion test equipment. Riello will not be responsible for the improper installation or set-up of the appliance.

TABLE OF CONTENTS

PACKAGE CONTENTS LIST	1
SERIAL NUMBER IDENTIFICATION	1
TECHNICAL DATA	2
Specifications	2
Burner and mounting flange dimensions	2
Burner components identification	2
MOUNTING THE BURNER TO BOILER OR FURNACE	3
ELECTRICAL CONNECTIONS	4
APPLICATION FIELD WIRING - RIELLO 530 SE/C PRIMARY CONTROL	4
APPLICATION FIELD WIRING	5
APPLICATION FIELD WIRING - RIELLO 530 SE/C 24 VPRIMARY CONTROL	6
INSTALLATION/ REMOVAL OF DRAWER ASSEMBLY	7
ELECTRODE SETTING	7
NOZZLE PLACEMENT	7
TURBULATOR SETTING	7
OIL LINE CONNECTIONS	8
Single line (Gravity feed system)	8
Two line (Lift system)	9
PUMP PURGE	10
Single line (Gravity feed system)	10
Two line (Lift system)	10
SETTING THE AIR ADJUSTMENT PLATE	10
COMBUSTION CHAMBER PRESSURE CHART	11
BURNER START-UP CYCLE	11
BURNER ADJUSTMENT TABLES - BURNER SETUP CHART	12
A TYPICAL LAYOUT FOR BF BURNER INTAKE AIR	13
TROUBLE SHOOTING CHART	14
EXPLODED SPARE PARTS LIST	15
SPARE PARTS LIST	16
BURNER START-UP LIST	18

PACKAGE CONTENTS LIST

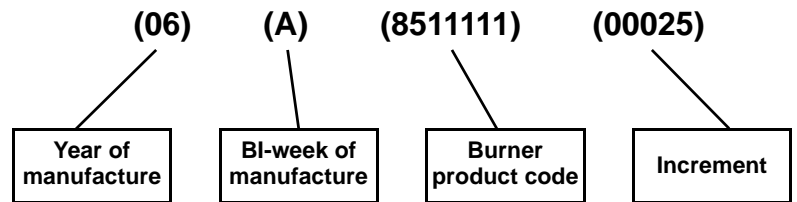
Your Riello 40 BF burner should include the following parts. Please check to make sure all parts are present before beginning the installation.

Quantity	Description	Code
1	Burner chassis with cover	3729010 - 3729110
1	Gasket	2567340
1	Nut	2621854
1	Connector	2623842
1	Installation manual	

SERIAL NUMBER IDENTIFICATION

The Riello 15 character serial number, example, **06 A 8511111 00025**, is identified as follows:

- 06** = Last two digits of the year of manufacture;
- A** = BI-week of manufacture;
- 8511111** = Burner product code;
- 00025** = Increment of 1 for each burner produced – specific to product code – reset to zero each January 1st.



TECHNICAL DATA

SPECIFICATIONS

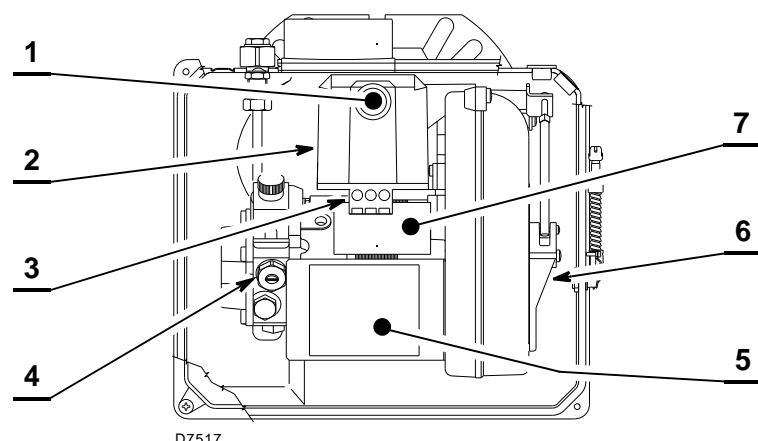
Fuel	No. 2 Fuel Oil
BF3 Firing rate - Effective Output	0.50 to 0.95 US GPH - 70,000 to 133,000 BTU/h
BF5 Firing rate - Effective Output	0.75 to 1.65 US GPH - 105,000 to 231,000 BTU/h
Voltage (single phase)	120V 60Hz (+ 10% - 15%)
BF3 Absorbed electrical power	192 Watts
BF5 Absorbed electrical power	204 Watts
Motor (rated)	3250 rpm Run Current 2.2 AMP
Capacitor	12.5 Microfarads 260V
Pump pressure	100 to 200 PSI
Primary control	RIELLO 530 SE/C - RIELLO 530 SE/C 24 V
Ignition transformer	8kV 16mA

BURNER AND MOUNTING FLANGE DIMENSIONS

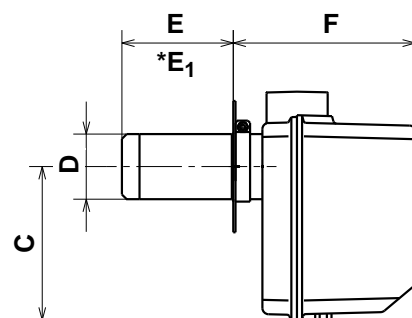
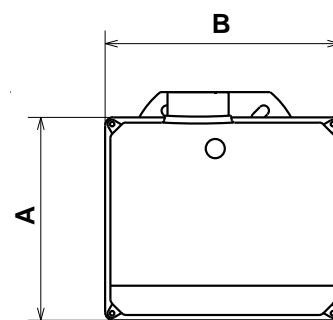
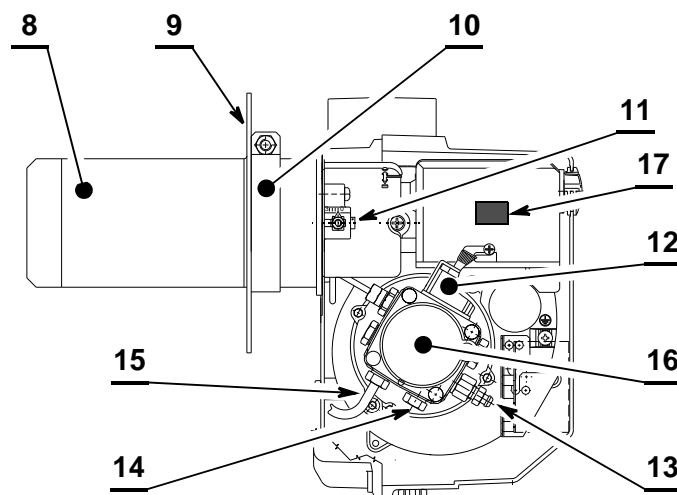
Model		A	B	C	D	E	*E ₁	F
BF3	Inches	9 13/16	11 1/4	7 1/2	3 1/2	4 1/4	6	8 1/4
	mm	249	286	193	89	108	152	210
BF5	Inches	9 13/16	11 1/2	7 1/2	3 1/2	4 1/4	8 7/8	8 3/4
	mm	249	292	193	89	108	225	222

*E₁: 6" (152 mm) 8 7/8" (225mm) & 10" (254 mm) tubes are also available.

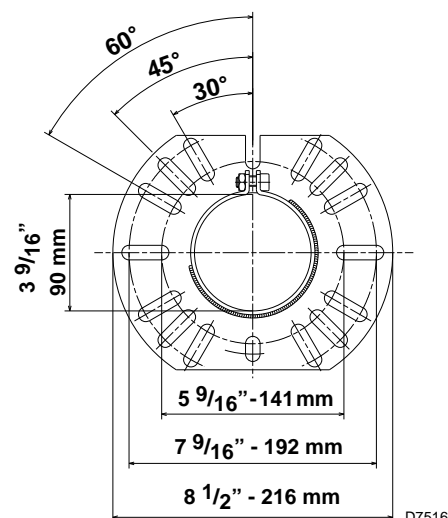
BURNER COMPONENTS IDENTIFICATION



D7517



D7515



D7516

BURNER COMPONENTS

- 1 Lockout indicator lamp and reset button
- 2 Primary control
- 3 Primary control sub-base
- 4 Pump pressure regulator
- 5 Post purge timer (option)
- 6 Air adjustment
- 7 Capacitor
- 8 Combustion head
- 9 Mounting gasket
- 10 Universal mounting flange
- 11 Turbolator adjustment screw
- 12 Coil
- 13 Bleeder and pressure gauge port
- 14 Return fuel line port
- 15 Inlet fuel line port
- 16 Pump
- 17 24 V thermostat connections

MOUNTING THE BURNER TO THE BOILER OR FURNACE

There are two possible methods to mount the burner, depending on the individual application. These are:

- 1) Universal flange bolted to Boiler/Furnace unit.
- 2) Universal flange mounted to optional Pedestal mount, where flange mounting direct to appliance is not possible. Pedestal kit must be ordered separately.

METHOD 1 – UNIVERSAL MOUNTING FLANGE

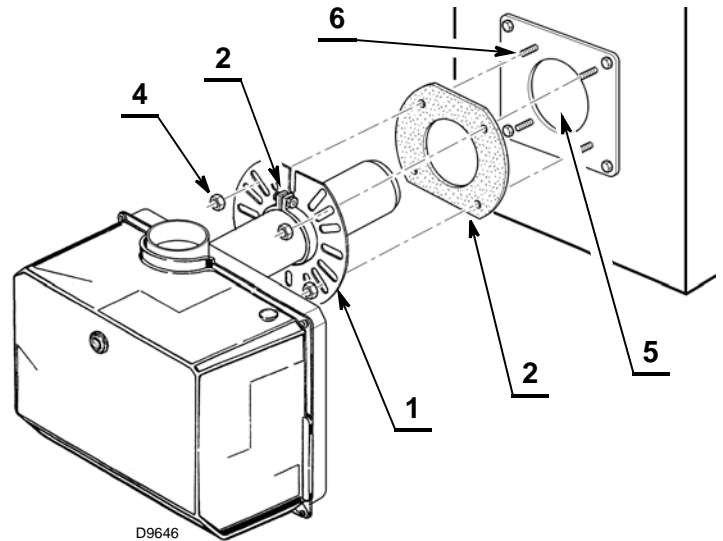
A) Slide the UNIVERSAL MOUNTING FLANGE (1) over the end cone assembly with the flat flange surface towards the heating unit.

B) Secure the UNIVERSAL MOUNTING FLANGE to the AIR TUBE by tightening the ALLEN BOLT (2). Be sure that the MOUNTING FLANGE is properly positioned. The outer edge of the END CONE will be at least 1/4" (6.5 mm) back from the inside wall of the refractory chamber or inside wall of the combustion chamber (see dimension B above). The measured length (A) is to include the MOUNTING GASKET (3) and FLANGE.

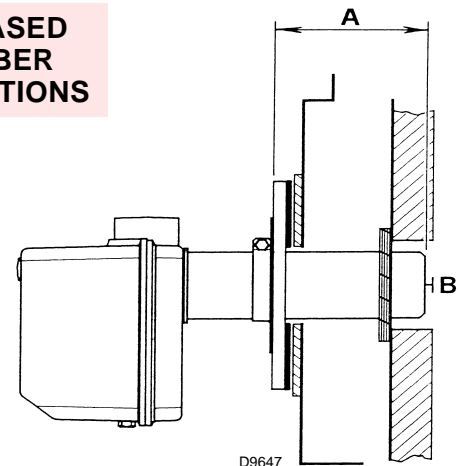
C) For dry based appliances it is suggested that an amulet or cera-felt sleeve be used on the end cone to help reduce the risk of end cone burn-off. This amulet also provides an additional benefit of sealing the chamber air tube hole when this hole is larger than our air tube diameter. Please refer to amulet instructions in regards to installing amulet to the burners air tube end cone.

D) The burner can now be attached to the heating unit by inserting the AIR TUBE through the BURNER ACCESS HOLE (5) and into the appliance, making sure the MOUNTING FLANGE lines up with the appliance studs (6). Secure the burner in place using nuts (4).

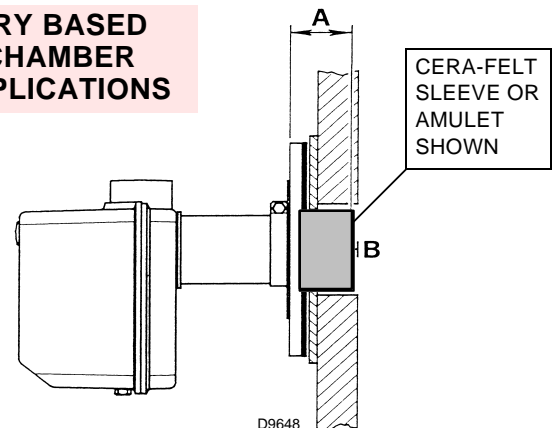
A visual verification of the air tube insertion into the combustion chamber of the heating unit is suggested. Dimension "B" should be at least 1/4 inch (see drawing).



WET BASED CHAMBER APPLICATIONS




DRY BASED CHAMBER APPLICATIONS



METHOD 2 – PEDESTAL MOUNT

Secure the MOUNTING FLANGE to MOUNTING PED-ESTAL using the hardware provided with the pedestal. Secure burner to MOUNTING FLANGE as in METHOD 1.

NOTE: It is suggested that the pedestal be anchored in position on the floor by installing brackets over the pedestal tube and securing brackets to the floor.



WARNING

WHEN THE COMBUSTION CHAMBER IS LINED WITH A REFRACTORY MATERIAL, IT IS IMPERATIVE THAT THE END CONE NOT PROTRUDE INTO THE CHAMBER AREA, AS EXCESSIVE HEAT AT BURNER END CONE DURING OPERATION OR SHUTDOWN WILL DAMAGE THE END CONE. IF HIGH END CONE TEMPERATURES ARE A CONCERN USING A CERA-FELT SLEEVE OR, AMULET OVER THE END CONE COULD HELP REDUCE THE RISK OF BURN-OFF THE END CONE.

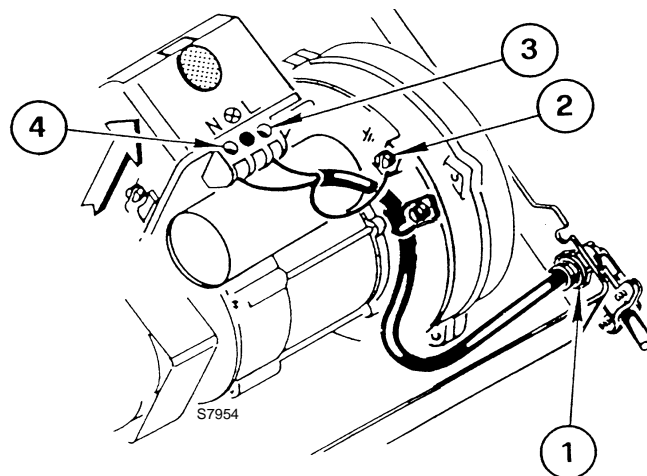
ELECTRICAL CONNECTIONS

It is advisable to leave the control box off the sub-base while completing the electrical connections to the burner.

- 1) Electrical connector
- 2) Earth ground conductor terminal

The burner may be controlled using either a DIRECT LINE VOLTAGE control circuit (120V AC 60 cycle) OR a LOW VOLTAGE control (24V AC 60 cycle) using models Riello or Honeywell R8038A 24v relays or a LOW VOLTAGE THERMOSTAT INPUT (T-T).

Following the wiring diagram on the next page, make electrical connections to burner. All wiring must be done in accordance with existing electrical codes, both National and Local.



Do not activate burner until proper oil line connections have been made, or failure of the pump shaft seal may occur.

APPLICATION FIELD WIRING - RIELLO 530 SE/C PRIMARY CONTROL

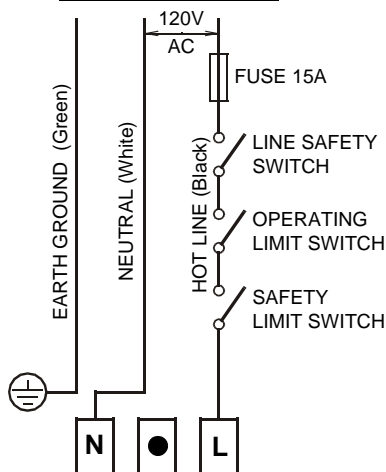
REMOTE SENSING OF SAFETY LOCKOUT

The SAFETY SWITCH in the 530 SE/C CONTROL BOX is equipped with a contact allowing remote sensing of burner lockout. The electrical connection is made at terminal 4 (●) on the SUB-BASE.

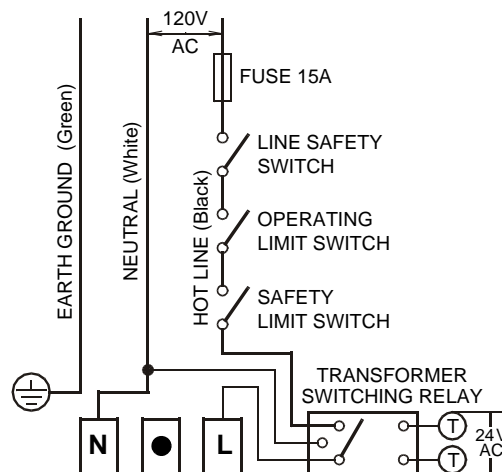
Should lockout occur the 530 SE/C CONTROL BOX will supply a power source of 120Vac to the connection terminal.

The maximum allowable current draw on this terminal (4) is 1 Amp.

DIRECT LINE VOLTAGE

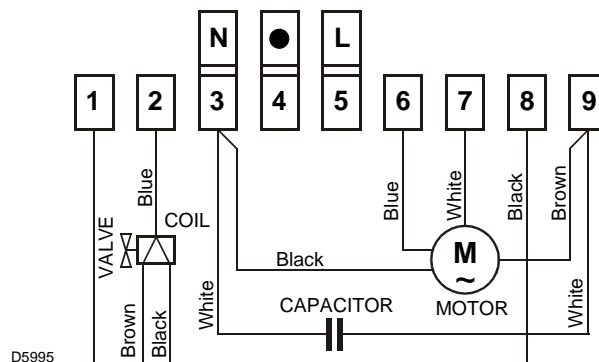


LOW VOLTAGE



If a neutral or ground lead is attached to this terminal, the CONTROL BOX on the burner will be damaged should lockout occur.

FACTORY WIRED SUB-BASE



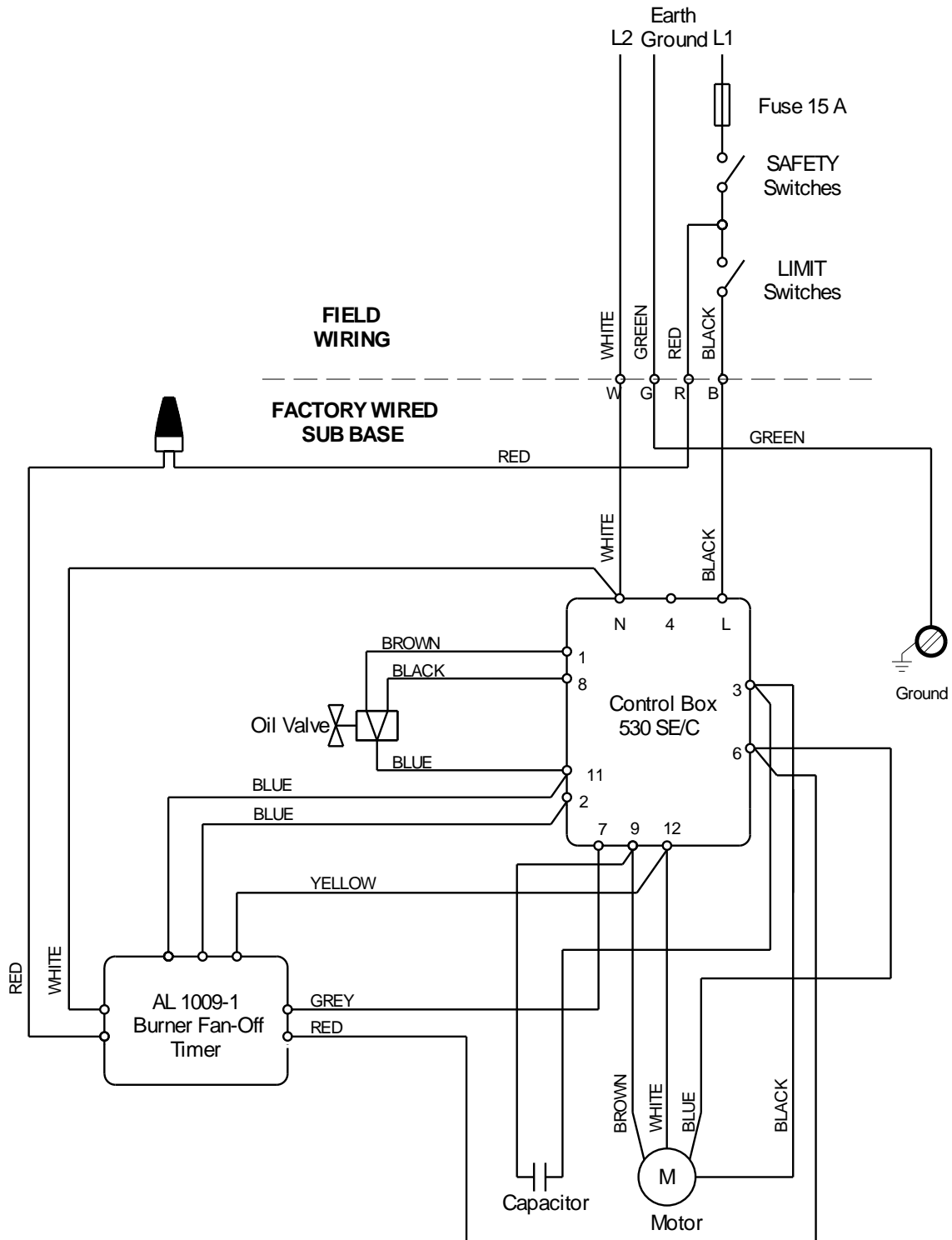
APPLICATION FIELD WIRING



All the installation, maintenance and disassembly operations **MUST** be carried out with the electricity supply disconnected.

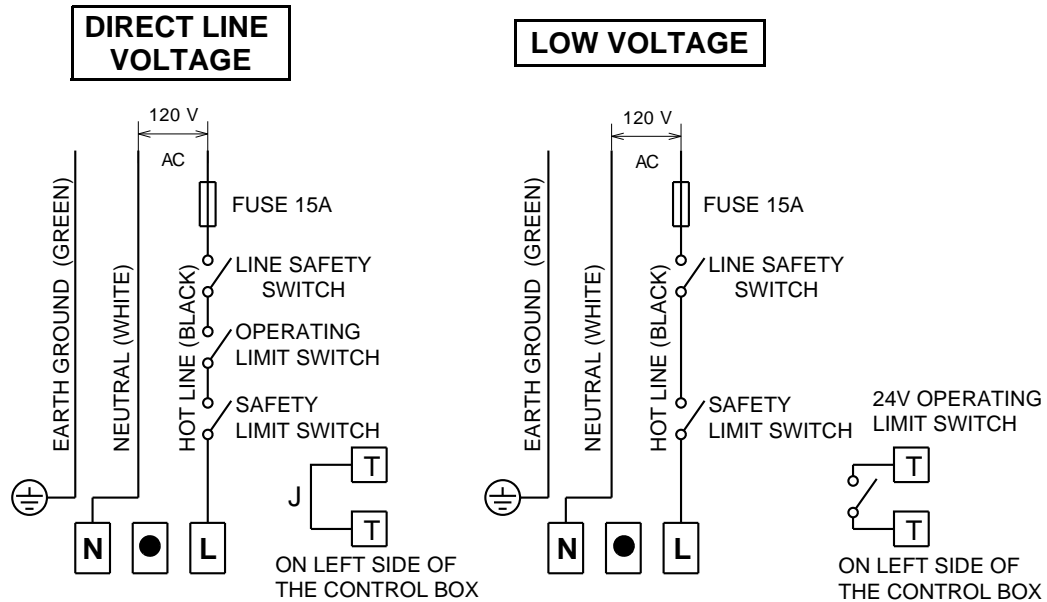


The installation of the burner must be carried out by qualified personnel, as indicated in this manual and in compliance with the standards and regulations of the laws in force.

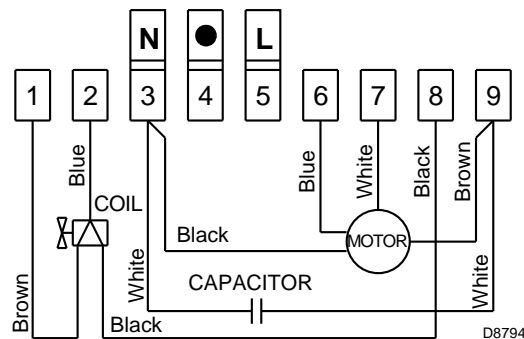


D7518

APPLICATION FIELD WIRING - RIELLO 530 SE/C 24V PRIMARY CONTROL



FACTORY WIRED SUB-BASE



REMOTE SENSING OF SAFETY LOCKOUT

The SAFETY SWITCH in the 530 SE/C 24V CONTROL BOX is equipped with a contact allowing remote sensing of burner lockout. The electrical connection is made at terminal 4 (●) on the SUB-BASE.

Should lockout occur the 530 SE/C 24V CONTROL BOX will supply a power source of 120Vac to the connection terminal.

The maximum allowable current draw on this terminal (4) is 1 Amp.

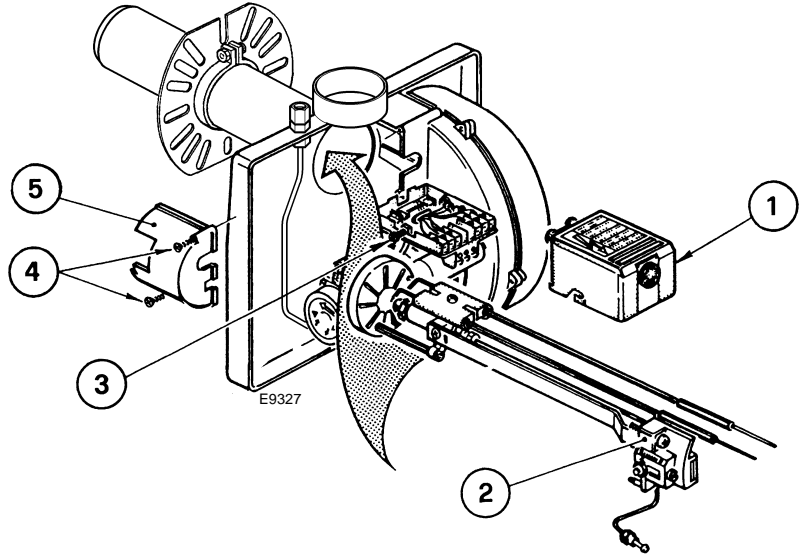


If a neutral or ground lead is attached to this terminal, the CONTROL BOX on the burner will be damaged should lockout occur.

INSTALLATION/REMOVAL OF DRAWER ASSEMBLY

Removal:

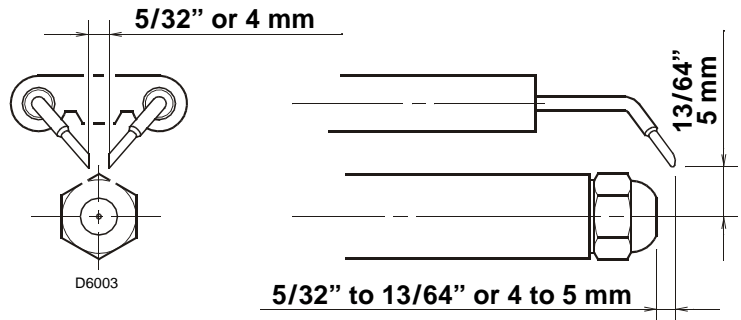
- A) Loosen off oil delivery tube nut from pump.
- B) Loosen SCREW (3), and then unplug CONTROL BOX (1) by carefully pulling it back and then up.
- C) Remove the AIR TUBE COVER PLATE (5) by loosening the retaining SCREW (4) (Two SCREWS – Model BF5).
- D) Loosen SCREW (2), and then slide the complete drawer assembly out of the combustion head as shown.
- E) To insert drawer assembly, reverse the procedure in items A to D above.



ELECTRODE SETTING

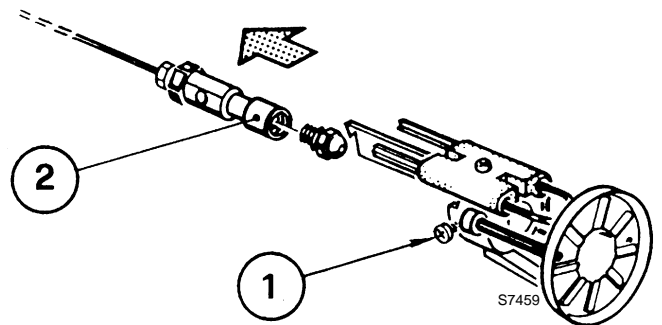
IMPORTANT:

These dimensions must be observed and verified.



NOZZLE PLACEMENT

- Remove the NOZZLE ADAPTER (2) from the DRAWER ASSEMBLY by loosening the SCREW (1).
- Insert the proper NOZZLE into the NOZZLE ADAPTER and tighten securely (Do not over tighten).
- Replace adapter, with nozzle installed, into drawer assembly and secure with screw (1).



IMPORTANT:

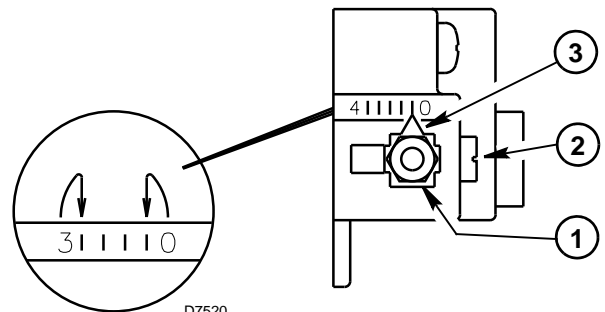
The nozzle and the pump pressure must be in accordance with the burner setup chart at page 12.

TURBULATOR SETTING

- A) Loosen NUT (1), and then turn SCREW (2) until the INDEX MARKER (3) is aligned with the correct index number as per the burner setup chart at page 9.
- B) Retighten the RETAINING NUT (1).

MODEL BF3: Zero and three are scale indicators only. From left to right the first line is 3 and the last line 0.

MODEL BF5: Same as above, except scale indicators are 0 and 4.



OIL LINE CONNECTIONS

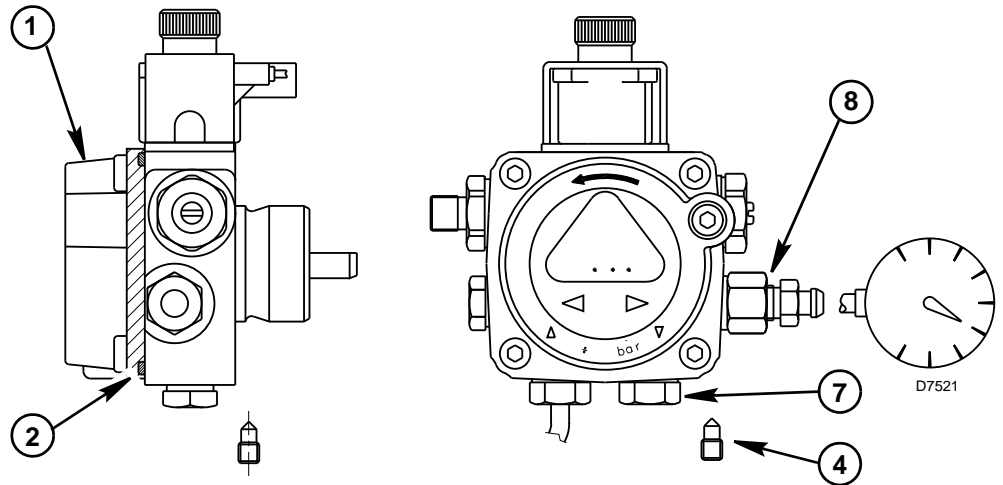
This burner is shipped with the oil pump set to operate on a **single** line system.
To operate on a **two-line** system the by-pass plug must be installed.



Do not operate a **single** line system with the by-pass plug installed.
Operating a **single** line system with the by-pass plug installed will result in damage to the pump shaft seal.

NOTE:

Pump pressure must be set at time of burner start-up.
A pressure gauge is attached to the **PRESSURE PORT** (8) for pressure readings.
All pump port threads are **British Parallel Thread** design.
Direct connection of NPT threads to the pump **will damage** the pump body.
Riello manometers and vacuum gauges **do not** require any adapters, and can be safely connected to the pump ports.
An NPT (metric) adapter **must** be used when connecting other gauge models.



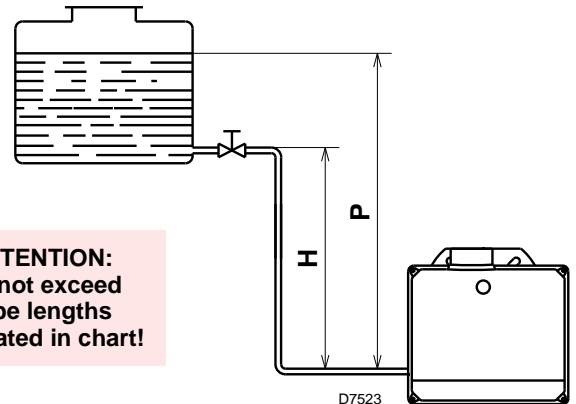
SINGLE LINE (GRAVITY FEED SYSTEM)

The burner is shipped configured for use in single line applications.
No changes to the oil pump are required for use in single line applications.

NOTE:

If the **pump cover** (1) is removed for any reason, be sure the O-ring (2), is properly seated in the pump cover (1) before re-attaching the pump cover to the pump housing.
Install the required fitting NPTF to NPT adapter into the pump's **SUCTION LINE CONNECTION FITTING** on left side of burner on top.
Attach the required tubing to this fitting. Be sure that the plug in the **RETURN LINE CONNECTION FITTING** is tightened securely.

SINGLE LINE SYSTEM-PIPE LENGTHS					
H		3/8" OD		1/2" OD	
FT	M	FT	M	FT	M
1.5	0.5	33	10	65	20
3.0	1.0	65	20	130	40
5.0	1.5	130	40	260	80
6.5	2.0	195	60	325	100



TWO LINE (LIFT SYSTEM) (Accessory package required)

If a two-line system is required, install the By-pass plug. The by-pass plug is installed in the return port of the pump. A 2.5-mm hexagonal key is to be used to install the plug.

DO NOT use an inch size hexagonal key; damage to the by-pass plug may result.

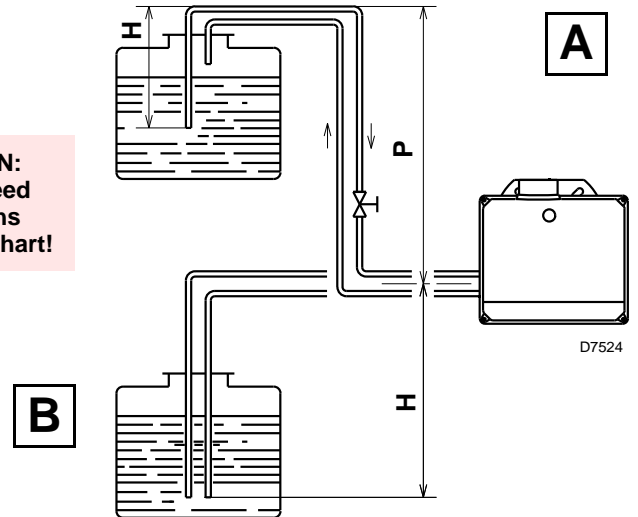
- A) Suction and return lines should be sized in accordance with local codes. The suction line should extend down near the bottom of the oil tank. The return line should terminate near the top of the oil tank.
- B) Suction and return lines should be sized in accordance with local codes and both **should extend to the same depth inside the fuel tank**. Be sure there are no air leaks or blockages in the piping system. Any obstructions in the return line will cause failure of the pump shaft seal. Do not exceed the pipe lengths indicated in the table.

Install the required fittings (NPT THREAD) in the SUCTION LINE and RETURN LINE CONNECTION FITTINGS.

Attach the required tubing to these fittings.

2 LINE (LIFT) SYSTEM-PIPE LENGTHS					
H		3/8" OD		1/2" OD	
FT	M	FT	M	FT	M
0.0	0.0	115	35	330	100
1.5	0.5	100	30	330	100
3.0	1.0	80	25	330	100
5.0	1.5	65	20	295	90
6.5	2.0	50	15	230	70
9.5	3.0	25	8	100	30
11	3.5	20	6	65	20

ATTENTION:
do not exceed
pipe lengths
indicated in chart!



To install the by-pass plug:

- 1) Remove the return plug (7).
- 2) Install the by-pass plug (4) using the 2.5 mm hexagonal key.
- 3) Connect the return line connection pipe to the return port (7) of the pump and tighten securely.

WARNING:

- Pipe dope or Teflon tapes are NOT to be used on any direct oil connection to the fuel pump.
- The height 'P' in Pipe Length Charts should not exceed 13 feet (4 m).
- The vacuum should not exceed 11.44 inches of mercury.

IMPORTANT: An external, appropriately listed and certified oil filter must be placed in the fuel line between the fuel tank and the burner pump.

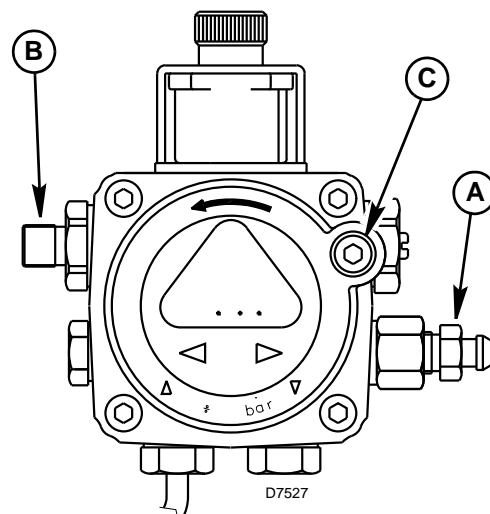
PUMP PURGE

NOTE: To protect the pump gears, it is advisable to lubricate the pump prior to purging a lift system.

Apply oil through the VACUUM PORT (C).

A) SINGLE LINE (GRAVITY FEED SYSTEM)

- I. Loosen the bleeder valve (A) until oil flows out.
Tighten the bleeder valve securely and start burner.
- II. When bleeding the pump by pressure:
 - 1) Loosen the bleeder valve (A).
 - 2) Disconnect nozzle oil supply line at the pump nozzleport (B).
 - 3) Attach a flexible plastic tube to the pump nozzle, port directing the oil flow into a bucket.
 - 4) Loosen the screw(s) securing the air tube cover, allowing it to be removed freely.
 - 5) Holding the air tube cover in its proper location start the burner.
 - 6) When the solenoid valve is engaged approximately 10 seconds after starting, remove the air tube cover and shine a light source on the photocell, allowing it to see false light.
 - 7) Run the burner until the fuel pump has been purged of air, then tighten the bleeder valve and immediately shut down the burner.
 - 8) Reinstall the air tube cover and nozzle line.
 - 9) The burner can now be started normally.



Omitting steps 2 and 3 will result in a collection of unburned oil in the combustion chamber creating a hazardous situation upon burner startup.

B) TWO LINE (LIFT SYSTEM)

Turn off the main power source to the burner and remove the air tube cover. Shine a light source on the photocell (now visible where the air tube cover was removed), return power to the burner and activate the burner. With the light source in place, the burner will operate in prepurge only. Once the burner is purged, turn off the power source and replace the air tube cover. Return power to the burner. The burner is now ready to operate.

ATTENTION: It is important that the fuel line be completely sealed and free from air leaks or any internal blockages.
WARNING! WHEN THE BYPASS PLUG IS INSTALLED, A TWO-PIPE SYSTEM MUST BE USED OR FAILURE OF THE PUMP SHAFT WILL OCCUR.

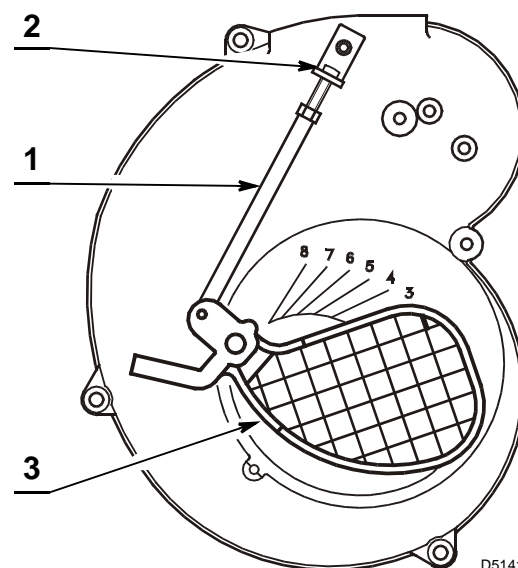
SETTING THE AIR ADJUSTMENT PLATE

- A) The initial air damper setting is made by turning screw (2) until the top edge of the air damper (3) is aligned with the number according to the burner setup chart.
- B) Further adjustments can be made with the burner cover in place by removing plastic plug on the top right hand side of the cover. Turn the screw counter clockwise (+ indicator) to increase combustion air, turn the screw clockwise (- indicator) to decrease combustion air.
- C) The final position of the air damper will vary on each installation. Use instruments to establish the proper settings for maximum CO₂ and a smoke reading of zero.

NOTE:

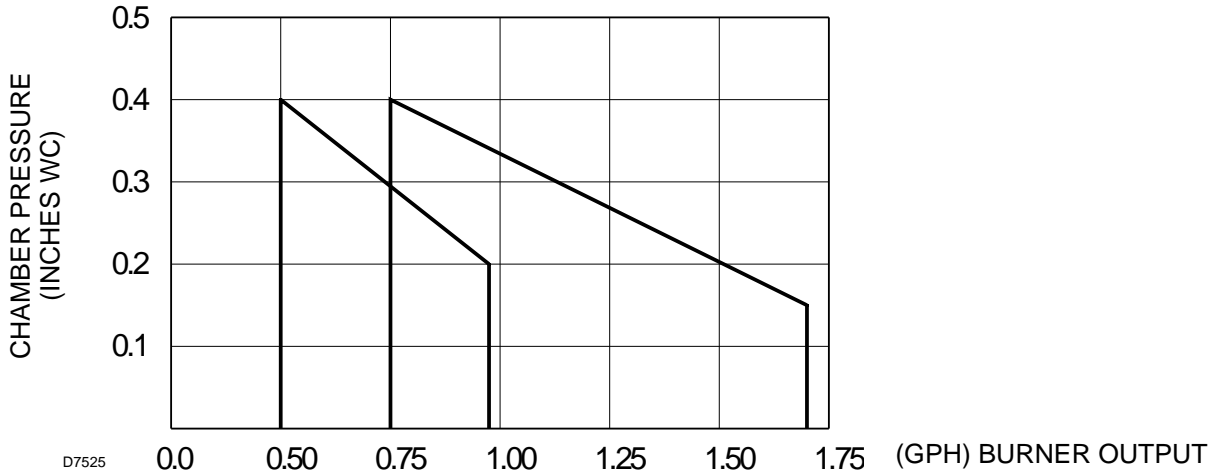
Variations in flue gas, smoke, CO₂, and temperature readings may be experienced when the burner cover is put in place.

Therefore, the burner cover **must** be in place when making the final combustion instrument readings, to ensure proper test results.



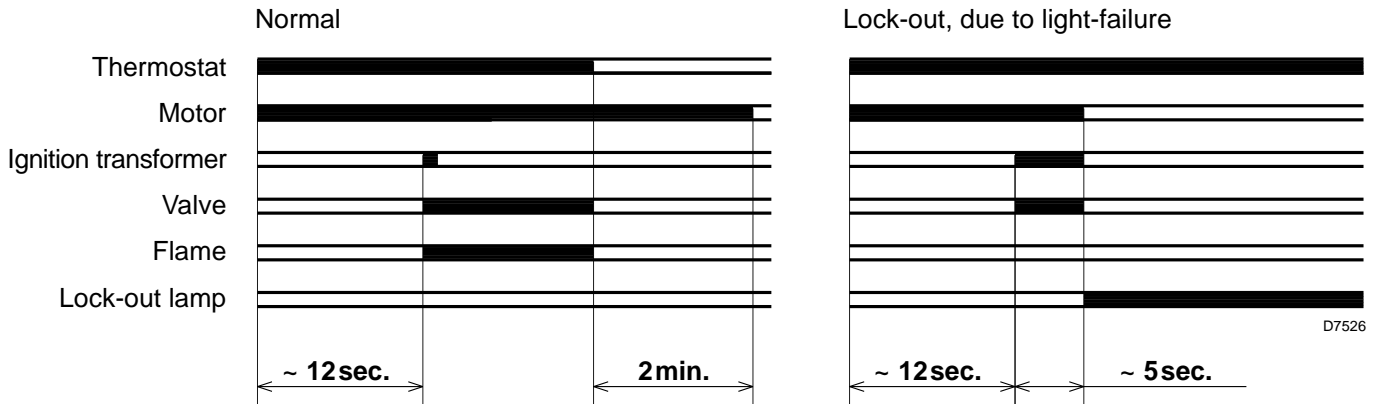
COMBUSTION CHAMBER PRESSURE CHART

BURNER OUTPUT VS CHAMBER PRESSURE CHART



The firing rate was obtained considering a room temperature of 68 °F and an atmospheric pressure of 394 "wc (approx. 0 ft above sea level), with the combustion head adjusted.

BURNER START-UP CYCLE



BURNER ADJUSTMENT TABLES



IMPORTANT

The following charts indicate initial setting with combustion air at 20°C (68°F).

MODEL BF3 BURNER SETUP CHART

1	2	3		4	5
ACTUAL FIRING RATE 5% ±	NOZZLE SIZE	PUMP PRESSURE		TURBOLATOR SETTING	AIR DAMPER SETTING
US GPH	GPH	PSI	BAR		
0.50	0.40 X 60/80°	160	11	0.0	3.2
0.60	0.50 X 60/80°	145	10	1.0	3.8
0.75	0.60 X 60/80°	160	11	1.5	4.4
0.80	0.65 X 60/80°	150	10	2.0	5.0
0.95	0.75 X 60/80°	160	11	3.0	7.0

MODEL BF5 BURNER SETUP CHART

1	2	3		4	5
ACTUAL FIRING RATE 5% ±	NOZZLE SIZE	PUMP PRESSURE		TURBOLATOR SETTING	AIR DAMPER SETTING
US GPH	GPH	PSI	BAR		
0.75	0.65 X 60/80°	145	10	0.0	3.3
0.85	0.75 X 60/80°	145	10	0.5	3.5
1.00	0.85 X 60/80°	145	10	1.0	4.0
1.10	1.00 X 60/80°	145	10	1.5	4.5
1.25	1.10 X 60/80°	145	10	2.0	5.0
1.50	1.25 X 60/80°	145	10	3.0	6.0
1.65	1.35 X 60/80°	145	10	4.0	7.0

- Actual input values given in above table are based on zero (0) chamber pressure, fired in Riello Canada Inc. Test Lab DIN (small) test boiler (chamber length 17", chamber diameter of 11"). Input values calculated using pump pressures listed above in the set-up table. Some variations will occur depending on application. This above set-up table is used to assist in the initial set-up only. Proper test equipment must be used to set the burner up properly.
- Please refer to appliance literature or recommendation regarding nozzle size, spray pattern and spray angle. If no suggestions or literature are given, using above set-up table for desired input value set burner to table setting until burner is firing then make suitable adjustments to burner to achieve desirable combustion results.

MODEL BF3 & BF 5 NOZZLES

Any nozzle manufacturer, size, and angle spray pattern. The appliance in which the burner is installed into determines BF burner nozzle selection.

COMBUSTION CHAMBER

Follow the instructions furnished by the boiler/furnace manufacturer. Size retrofit application according to the appropriate installation codes (e.g. CSA B139 or NFPA #31).

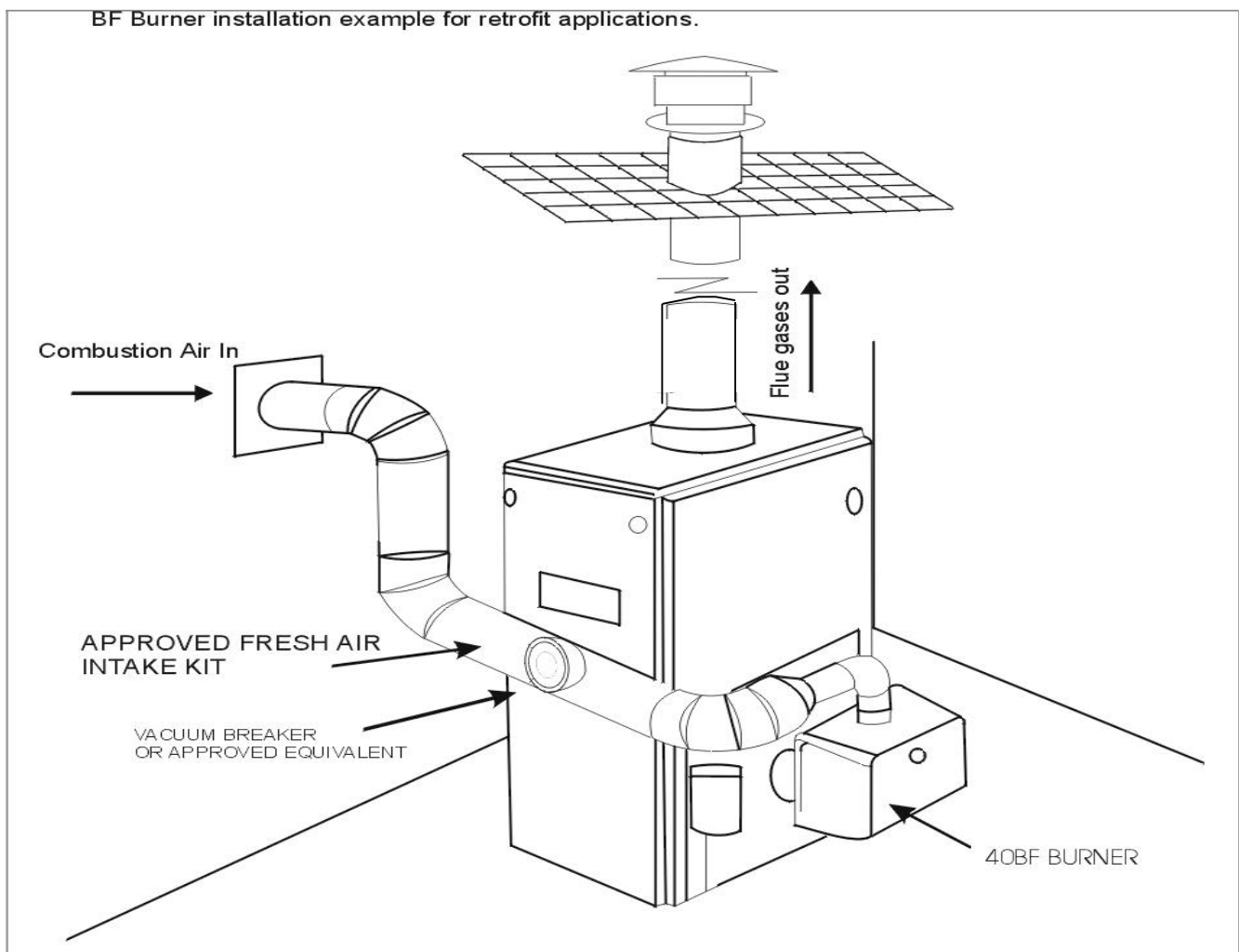
NON-RETROFIT APPLICATIONS

If this BF burner is packaged with the appliance, it is considered an OEM package; please read all instructions the related to the burner, this information will supercede our installation manual.

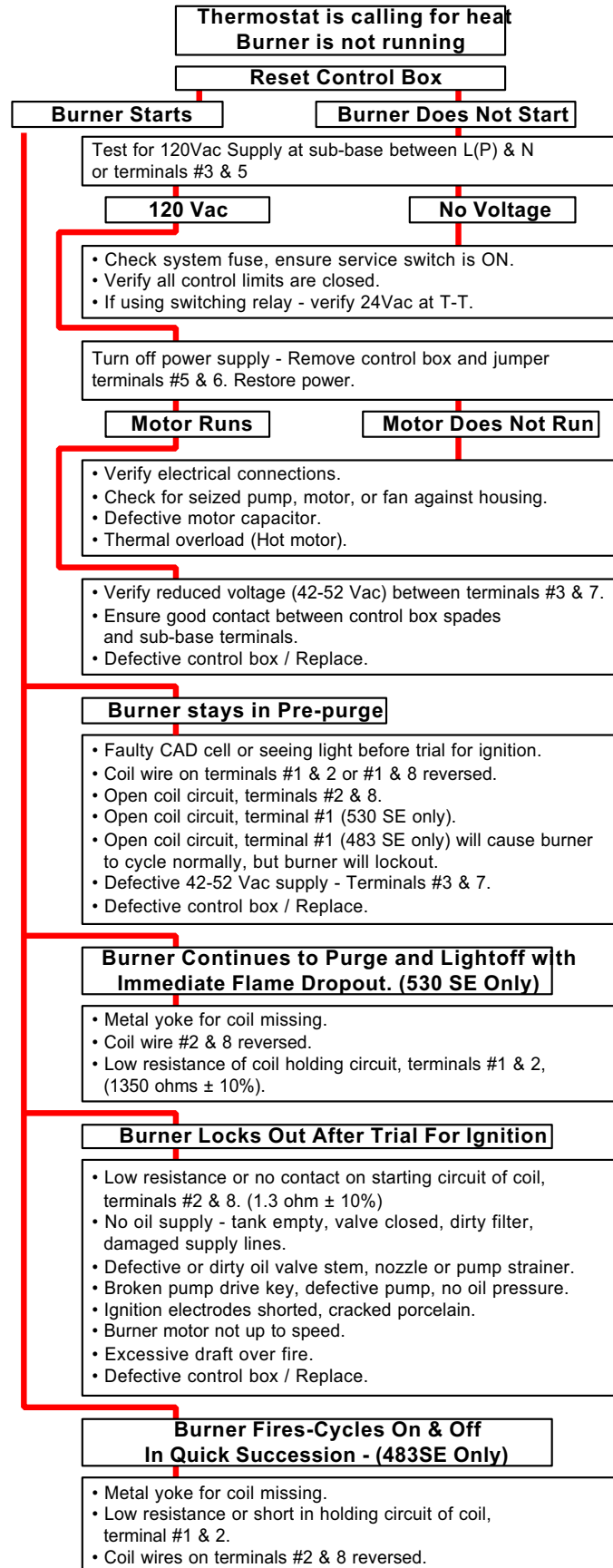
A TYPICAL LAYOUT FOR BF BURNER INTAKE AIR

- A) Use an approved air intake kit.
- B) Always keep intake air run to the minimum.
- C) Maximum intake air run of 4 (inch) diameter, flexible or rigid type of venting = 100f
- D) Reduce intake air length by 10' for every 90° elbow used. 5' for every 45° elbow used.
- E) It is suggested that air intake venting be insulated with R7 (min) foil lined insulation a minimum of 10' from air intake source. (Prevent condensation or corrosion of intake air venting)
- F) Used approved type of intake air vacuum breaker and to be installed in the same room and the burner, for the event of intake air source being blocked, this device should be tested to prove that in the event of intake air source is blocked that the vacuum breaker balancer is set correctly and can provide sufficient air for combustion for the burner. If the room that the burner is installed into cannot provide enough air or air quality is a concern, an additional air inlet source will have to be providing to this room.

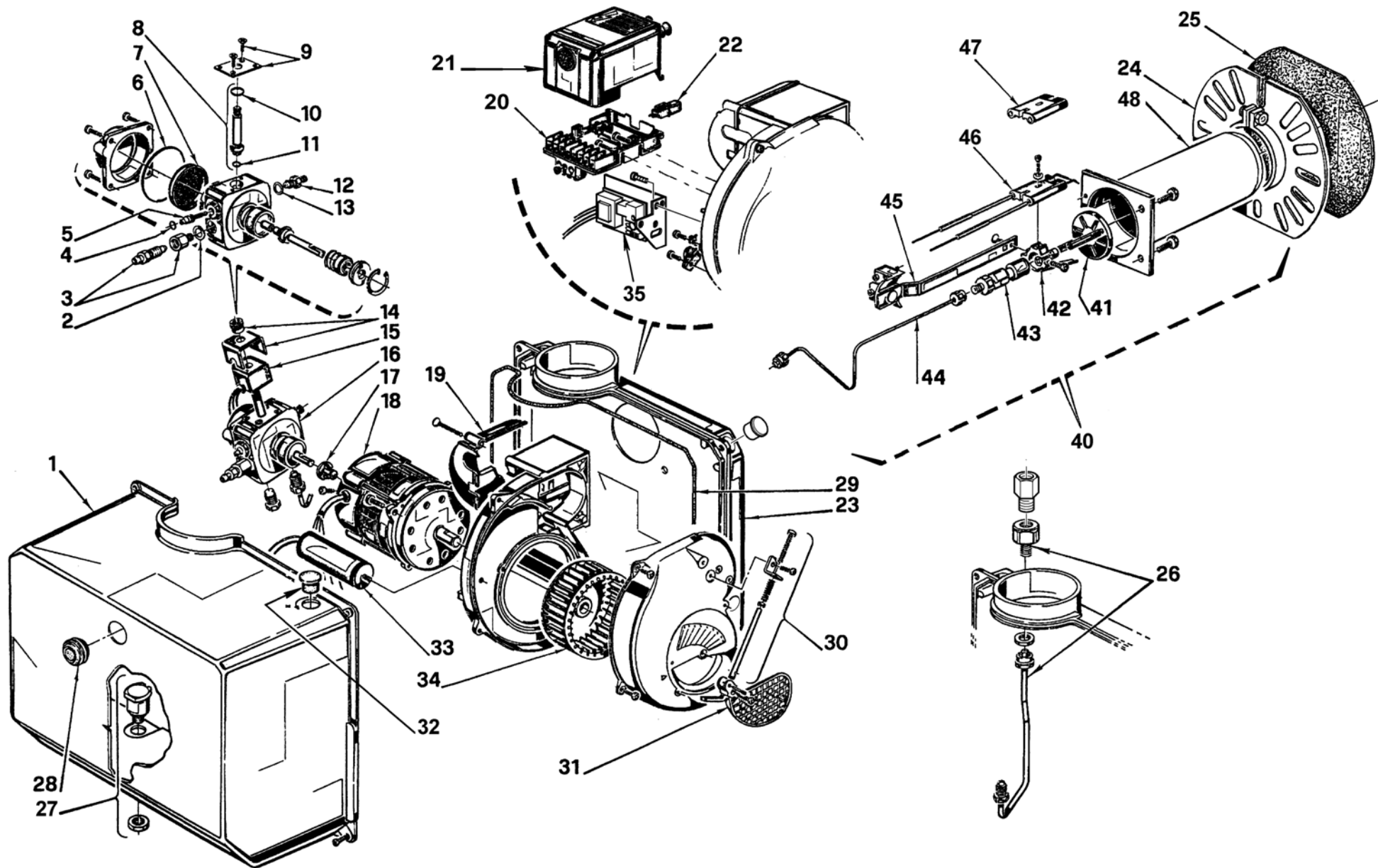
THIS INTAKE AIR LAYOUT FOR CHIMNEY APPLICATIONS ONLY



TROUBLE SHOOTING CHART



EXPLODED SPARE PARTS LIST



SPARE PARTS LIST

No.	CODE	BFS	BFS	DESCRIPTION	No.	CODE	BFS	BFS	DESCRIPTION
1	3020270	•		BURNER BACK COVER					OPTIONAL
1	3020271		•	BURNER BACK COVER	35	C7001084	•	•	AL 1009 POST PURGE DEVICE KIT
2	3007077	•	•	CRUSHABLE METAL WASHER 3/8" ID		C5283000	•	•	ELECTRICAL FITTING
3	3007568	•	•	BLEEDER					
4	3007028	•	•	O-RING - PUMP PRESSURE REGULATOR					
5	3007202	•	•	REGULATOR SCREW					
6	3007162	C7010002	•	O-RING - PUMP COVER					
7	3005719	•	•	PUMP SCREEN					
8	3006925	•	•	VALVE STEM					
9	3007203	•	•	PLATE - VALVE STEM RETAINER					
10	3007029	•	•	O-RING - VALVE STEM UPPER					
11	3007156	•	•	O-RING - VALVE STEM LOWER					
12	3007581	•	•	NOZZLE OUTLET FITTING					
13	3007087	•	•	CRUSHABLE METAL WASHER 5/8" ID					
14	3006553	•	•	COIL U-BRACKET AND RETAINER NUT					
15	3002279	•	•	COIL					
16	3007802	•	•	PUMP					
17	3000443	•	•	PUMP DRIVE KEY					
18	3005843	•	•	MOTOR					
19	3007315	•		AIR TUBE COVER PLATE					
19	3007316		•	AIR TUBE COVER PLATE					
20	3002278	•	•	PRIMARY CONTROL SUB BASE					
21	3001157	C7001029	•	PRIMARY CONTROL 530SE/C					
21	20010004		•	PRIMARY CONTROL 530SE/C 24 V					
22	3002280	•	•	PHOTOCELL					
23	3008078	•		BURNER FRONT PLATE					
23	3008079		•	BURNER FRONT PLATE					
24	3000932	•	•	MOVEABLE FLANGE					
25	3020248	C6880000	•	MOUNTING GASKET					
26	3008020	•		OIL SUPPLY TUBE & ADAPTER FITTING					
26	3008024		•	OIL SUPPLY TUBE & ADAPTER FITTING					
27	3008825	•	•	DRIP					
28	3007627	•	•	PUMP-COVER OPENING-BURNER RESET					
29	3007630	•	•	GASKET - BURNER COVER					
30	3007728	•		MANUAL AIR DAMPER REGULATOR					
30	3000681		•	MANUAL AIR DAMPER REGULATOR					
31	3008021	•	•	AIR DAMPER					
32	3007706	•		PLUG					
33	20087023	•	•	CAPACITOR					
34	3005708	•	•	FAN					

SPARE PARTS LIST

No.	CODE	BF3	BF5	DESCRIPTION	No.	CODE	BF3	BF5	DESCRIPTION
40	3948876	•		VERY SHORT 3" COMBUSTION HEAD	40	3948877	•		8 7/8" COMBUSTION HEAD
40	3948976		•	VERY SHORT 3" COMBUSTION HEAD	40	3948975		•	8 7/8" COMBUSTION HEAD
41	3006968	•		TURBULATOR DISC	41	3006968	•		TURBULATOR DISC
41	3006977		•	TURBULATOR DISC	41	3006977		•	TURBULATOR DISC
42	3006966	•	•	ELECTRODE SUPPORT	42	3006966	•	•	ELECTRODE SUPPORT
43	3006965	•	•	NOZZLE ADAPTER	43	3006965	•	•	NOZZLE ADAPTER
44	3008627	•		NOZZLE OIL TUBE	44	3008790	•		NOZZLE OIL TUBE
44	3008629		•	NOZZLE OIL TUBE	44	3008628		•	NOZZLE OIL TUBE
45	3008633	•		REGULATOR ASSEMBLY	45	3008846	•		REGULATOR ASSEMBLY
45	3008634		•	REGULATOR ASSEMBLY	45	3008635		•	REGULATOR ASSEMBLY
46	3008630	•		ELECTRODE ASSEMBLY	46	3008789	•		ELECTRODE ASSEMBLY
46	3008631		•	ELECTRODE ASSEMBLY	46	3008632		•	ELECTRODE ASSEMBLY
47	3005869	•	•	ELECTRODE PORCELAIN	47	3005869	•	•	ELECTRODE PORCELAIN
48	3008623	•		AIR TUBE	48	3008788	•		AIR TUBE
48	3008626		•	AIR TUBE	48	3008625		•	AIR TUBE
40	3948873	•		SHORT 6" COMBUSTION HEAD	40	3948874	•		10" COMBUSTION HEAD
40	3948973		•	SHORT 6" COMBUSTION HEAD	40	3948974		•	10" COMBUSTION HEAD
41	3006968	•		TURBULATOR DISC	41	3006968	•		TURBULATOR DISC
41	3006977		•	TURBULATOR DISC	41	3006977		•	TURBULATOR DISC
42	3006966	•	•	ELECTRODE SUPPORT	42	3006966	•	•	ELECTRODE SUPPORT
43	3006965	•	•	NOZZLE ADAPTER	43	3006965	•	•	NOZZLE ADAPTER
44	3006969	•		NOZZLE OIL TUBE	44	3006970	•		NOZZLE OIL TUBE
44	3006973		•	NOZZLE OIL TUBE	44	3006974		•	NOZZLE OIL TUBE
45	3006324	•		REGULATOR ASSEMBLY	45	3005867	•		REGULATOR ASSEMBLY
45	3006323		•	REGULATOR ASSEMBLY	45	3005878		•	REGULATOR ASSEMBLY
46	3006330	•		ELECTRODE ASSEMBLY	46	3005870	•		ELECTRODE ASSEMBLY
46	3006329		•	ELECTRODE ASSEMBLY	46	3005880		•	ELECTRODE ASSEMBLY
47	3005869	•	•	ELECTRODE PORCELAIN	47	3005869	•	•	ELECTRODE PORCELAIN
48	3007592	•		AIR TUBE	48	3007593	•		AIR TUBE
48	3007594		•	AIR TUBE	48	3007595		•	AIR TUBE

35 Pond Park Rd.
 Hingham, MA 02043
 Phone: 781-749-8292
 Toll Free: 800-992-7637
 Fax: 781-740-2069

2165 Meadowpine Blvd.
 Mississauga, On L5H 3R2
 Phone: 905-542-0303
 Toll Free: 800-387-3898
 Fax: 905-542-1525

BURNER START- UP FORM *

Burner S/N. or Model: _____	Appliance: _____
Installer name: _____	
Company: _____	Installation date: _____
Address: _____	
Phone: _____	Fax: _____
Owner Name: _____	
Address: _____	
Phone: _____	E-mail: _____

Burner Start-up Info (OIL)	
Nozzle info: _____	Pump pressure: _____
Air setting: _____	Turbolator setting: _____
Draft overfire: _____	Draft breech: _____
CO ₂ : _____ CO: _____ O ₂ : _____	Smoke density: _____ (Bacharach) _____
Single line: <input type="checkbox"/>	Two lines: <input type="checkbox"/>

* This form was designed and provided in the installation manual for reference and also for providing technical information which can be faxed or mailed to our technical hot-line coordinator when technical assistance is required. Please complete this form, fax it or mail it at the address/fax above, or send an e-mail with the information listed below to: techservices@riellocanada.com

RIELLO

RIELLO S.p.A.
I-37045 Legnago (VR)
Tel.: +39.0442.630111
[http:// www.riello.it](http://www.riello.it)
[http:// www.riello.com](http://www.riello.com)

RIELLO

35 Pond Park Road
Hingham, Massachusetts,
U.S.A. 02043

RIELLO BURNERS NORTH AMERICA

1-800-4-RIELLO

1-800-474-3556

<http://www.riello.ca>

2165 Meadowpine Blvd
Mississauga, Ontario
Canada L5N 6H6