



OLYMPIA FAUCETS, INC.
3325 S. Garfield Ave.
Commerce, CA 90040
(888) 772-7701
www.olympiafaucets.com

INSTALLATION

Tools:



Power Drill



Silicone Sealant



Teflon Tape



Rags

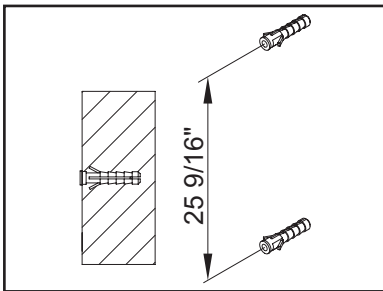
Model Number: P-4530

Warnings and Notes:

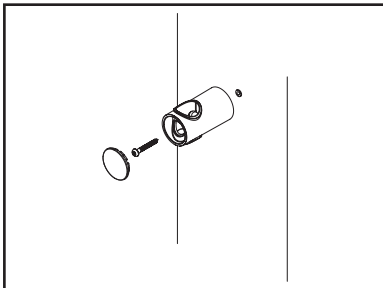
Check with local plumbing code requirements before installation.
This product should be installed by a local listed plumber.
Do not use plumbers putty on threads.

Installation Steps:

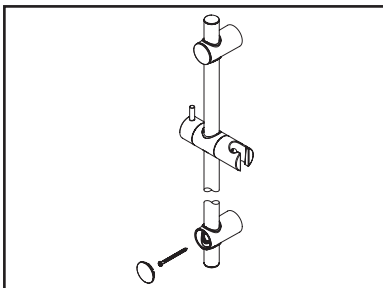
Handheld Shower Set



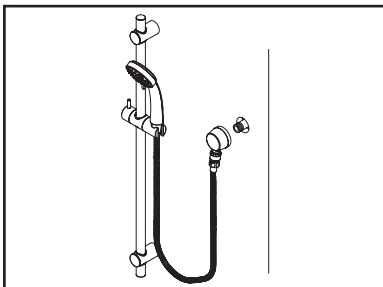
(1) Determine Drill two holes using 1/4" drill bits shown in the drawing. Using hammer to tap plastic anchors into the holes and flush with the wall. Make sure two mounting holes are 25-9/16" apart.



(2) Remove cap from top mount. Secure the mount on wall by drilling the mounting screw into wall anchors.



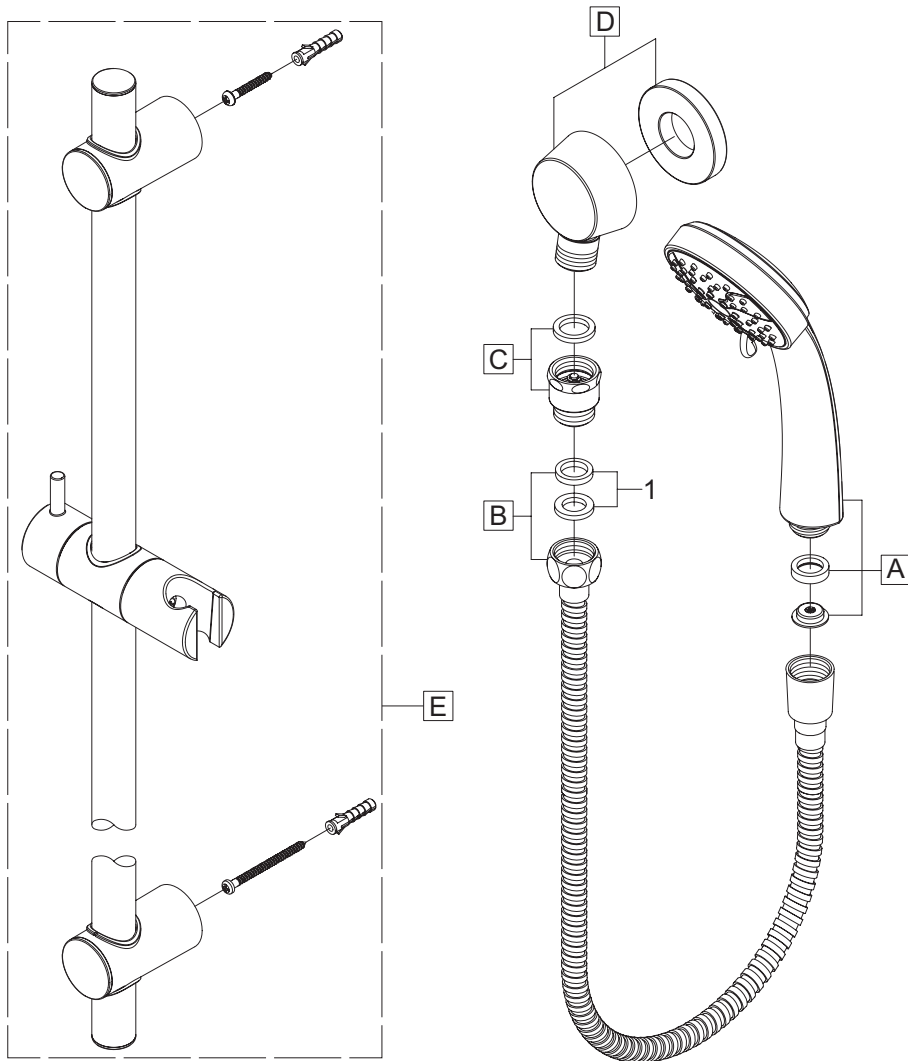
(3) Insert the slide bar through the top mount. Insert the bottom mount through slide bar. Align the hole on slide bar with hole on the bottom mount. Install the screw through the slide bar and bottom mount to secure them. Put the cap on the bottom mount.



(4) Install drop ell to pre-determined water outlet. Use Teflon tape at threaded connection. Use silicon to caulk around drop ell to create water tight seal.

Exploded Drawing:

	ITEM #	DESCRIPTION
A	OP-660007	1.75 GPM Handheld Showerhead
B	OP-460027	60" SST Hose
C	OP-460020	Vacuum Breaker
D	OP-460006	Drop Ell
E	OP-460026	Slide Bar and Hose Support
1	OP-460025	Washers



OLYMPIA

For more care information or trouble shooting inquiries
 about your Olympia product, Please call:
OLYMPIA FAUCETS, INC. (888) 772-7701
 Monday-Friday 8 AM to 8 PM EST (5 AM to 5 PM PST)
www.olympiafaucets.com