

READ AND SAVE THESE INSTRUCTIONS

Installer: leave this guide with homeowner.

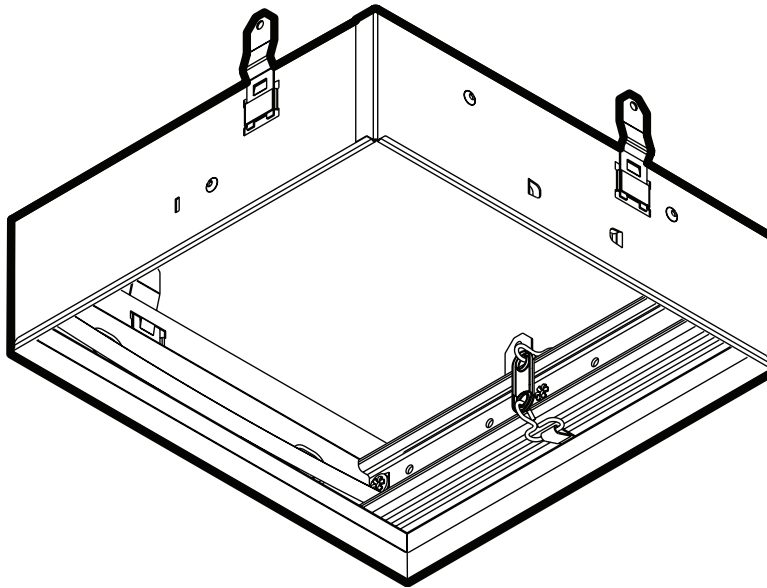
Register your product online at: www.broan.com/register or www.nutone.com/register.

RDFUWT

Premium

Radiation Damper

INSTALLATION GUIDE



Easy installation

Usage

For use with 1, 2, or 3-Hour-Rated Floor-Ceiling and Roof-Ceiling Designs.

UL/ cUL Listed for use in the following Floor Ceiling and Roof Ceiling Assemblies: L521, L528, L546, L558, L562, L574, L576, L581, L583, L585, P522, P533, P538, P545, and P547 when installed per the following instructions:

Flat Ceiling / Horizontal Mount Only.

For use with the following ventilation fan models:

Broan XB50, XB50L, XB50L1, XB80, XB80L, XB80L1, XB110, XB110L, XB110L1, XB110H, XB110HL, XB110HL1, ZB80, ZB80M, ZB110, ZB110H, ZB110M, ZB80L, ZB80L1, ZB80ML, ZB80ML1, ZB110L, ZB110L1, ZB110HL, ZB110HL1, ZB110ML, ZB110ML1, QT130E, QT130LE, QT140E, QT140LE, QTXE150, QTXE150FLT

Broan Canada XB50C, XB90C, XB90LC, XB90HC, XB110C, XB110LC, XB110HC, ZB110C, ZB90C, ZB110LC, ZB90LC, ZB110HC, ZB110MC, ZB90MC, ZB90HC, ZB110MLC, ZB90MLC

NuTone QTN130E, QTN130LE1, QTXEN150, QTXEN150FLT, XN50, XN50L, XN80, XN80L, XN110, XN110L, XN110H, XN110HL, ZN80, ZN80M, ZN110, ZN110H, ZN110M, ZN80L, ZN80ML, ZN110L, ZN110HL, ZN110ML

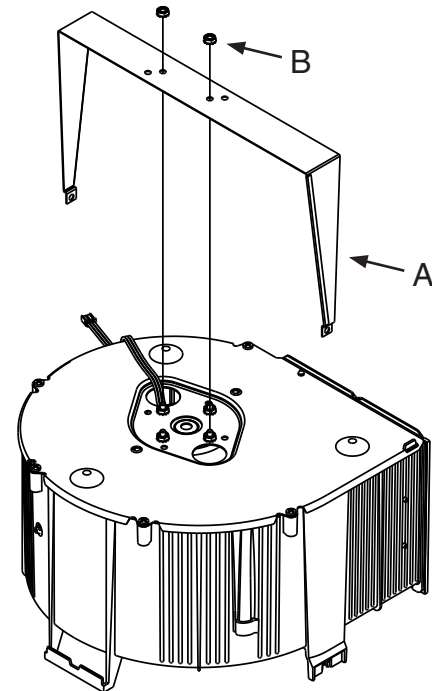
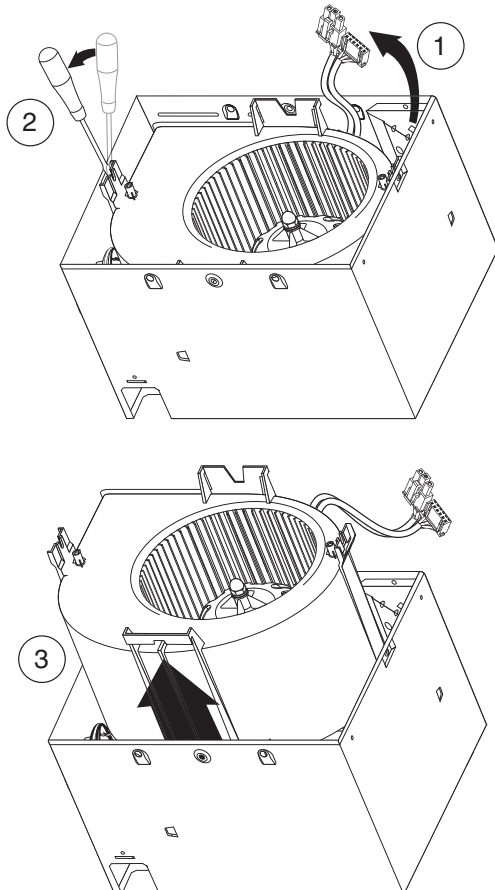
NuTone Canada XN50C, XN90C, XN110C, XN90LC, XN90HC, XN110LC, XN110HC, ZN90C, ZN90LC, ZN90HC, ZN90MC, ZN90MLC, ZN110C, ZN110LC, ZN110HC, ZN110MC, ZN110MLC



SEE DETAILS ON
 UL CLASSIFICATION
 MARKING ON PRODUCT

Prepare Fan

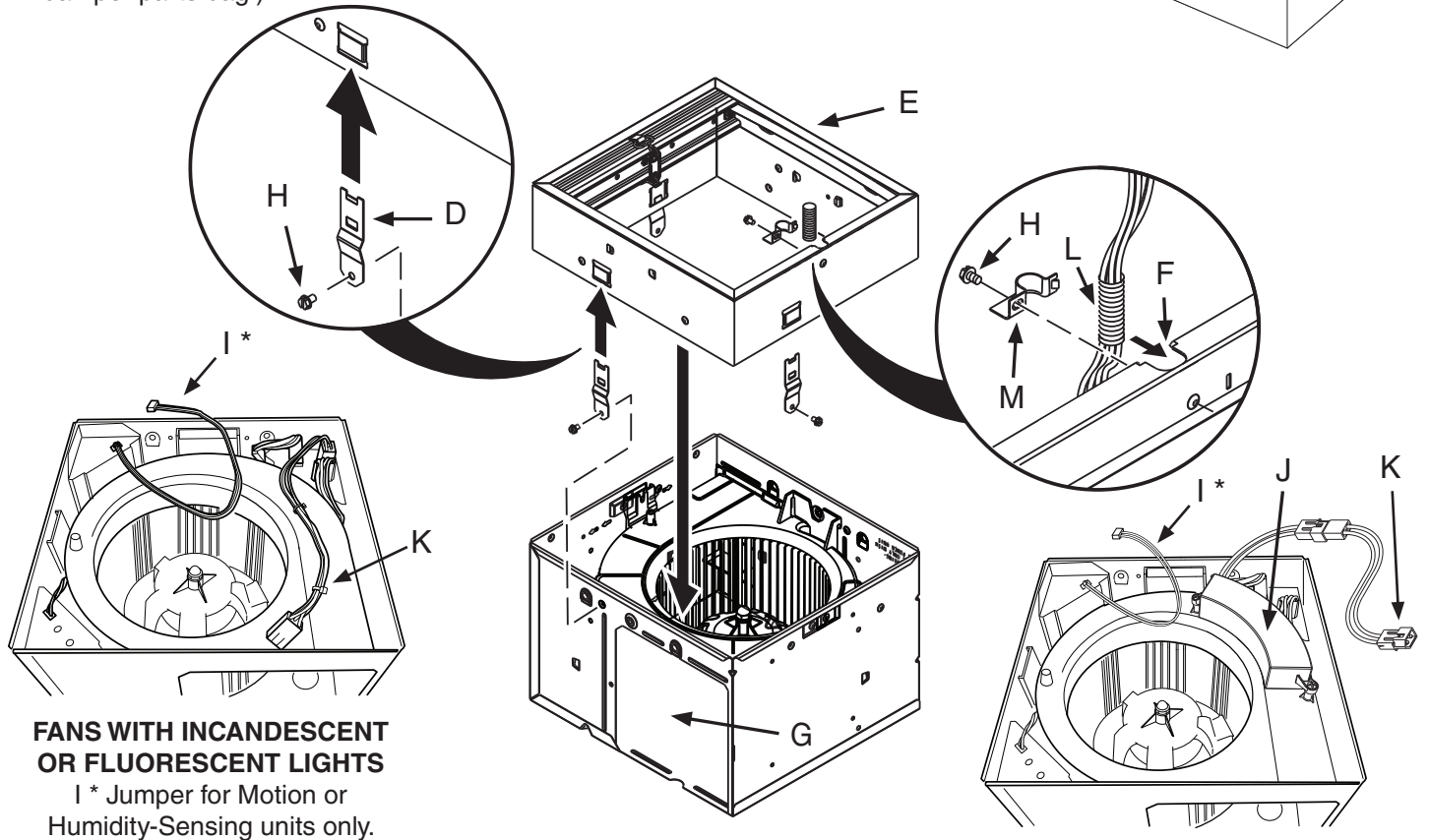
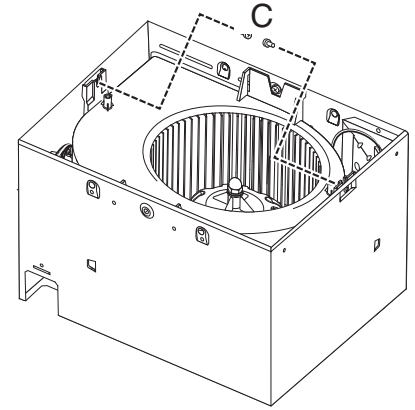
The following steps are best performed on a work surface before fan installation. Protect counter tops by placing corrugated sheet under the fan.



- Assemble **SUPPORT BRACKET (A)** (supplied with radiation damper) to fan blower as shown. Secure the bracket to motor studs with (2) **#8-32 HEX NUTS (B)** supplied in radiation damper parts bag.

- Remove blower and all packing material from fan housing.

3. Reinstall blower into fan housing. Install (2) #8 x ½" HEX HEAD SHEET METAL SCREWS (C) supplied in fan parts bag.
4. Slide (4) MOUNTING BRACKETS (D) into slots on four sides of RADIATION DAMPER EXTENSION FRAME (E). Make sure they snap into place and are securely engaged after assembly.
5. Center the radiation damper over the fan housing. Make sure NOTCH (F) is correctly positioned relative to the DUCT CONNECTOR OPENING (G).
6. Align radiation damper brackets with holes in the fan housing. Secure brackets to fan housing with (4) #8 X 3/8" SHEET METAL SCREWS (H) (Supplied in radiation damper parts bag.)



FANS WITH INCANDESCENT OR FLUORESCENT LIGHTS

I * Jumper for Motion or Humidity-Sensing units only.

FANS WITH LED LIGHTS

I * Jumper for Motion or Humidity-Sensing units only.

**Steps 7 through 11:
Lighted Fans, Humidity-Sensing Fans, or Motion Sensing Fans ONLY.**

For fans not equipped with a light, a humidity sensor or a motion sensor: Skip to Step 12.

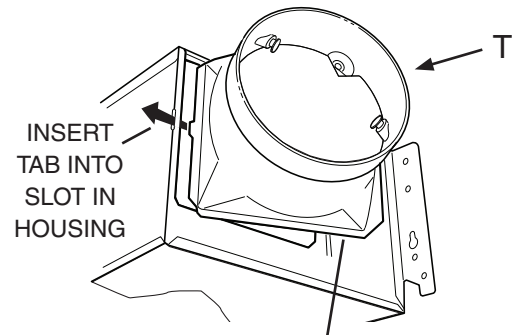
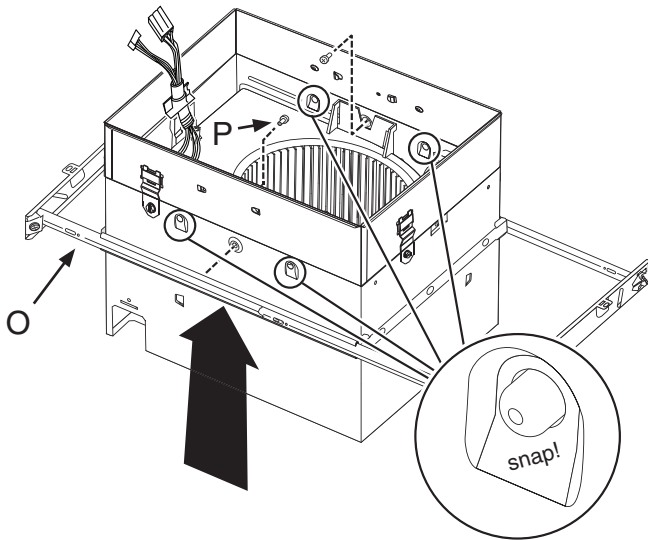
7. Make lead wires longer. Purchase jumper kit model RDJUMPU or RDJUMPU1 from your local Broan-NuTone dealer or distributor.

Each kit contains:

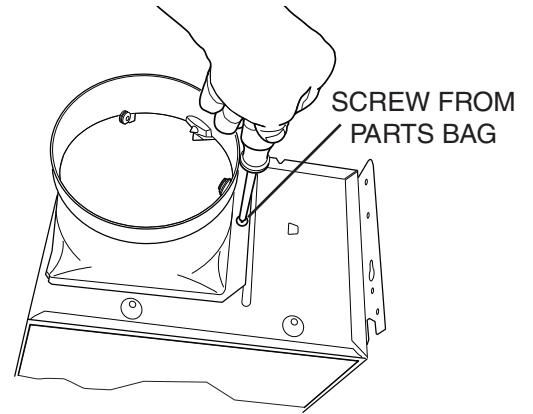
- 1 - Jumper for lighted fan models
- 1 - Jumper for sensor fan models

- 8a. For fans equipped with incandescent or fluorescent lights, connect one end of the **LIGHTING JUMPER (K)** to mating connector in the fan's wiring box.
- 8b. For fans equipped with LED lights, connect one end of the **LIGHTING JUMPER (K)** to mating connector from **LED DRIVER (J)**.

- 8c. For fans equipped with humidity or motion sensors, connect one end of the **SENSOR JUMPER (I)** to mating connector in the fan's wiring box.
9. Route **JUMPER(S) (I) (K)** towards the **NOTCH (F)** in the damper frame.
10. Press jumper wires into **PLASTIC SPLIT TUBE INSULATOR (L)** (supplied in damper parts bag). Push plastic split tubing into **NOTCH (F)** opening.
11. Align tab on **CABLE CLAMP (M)** with mating slot in damper extension. Secure clamp with supplied **#8 x 3/8" SHEET METAL SCREW (H)**.



TOP AND BOTTOM FLANGES
REMAIN OUTSIDE OF HOUSING

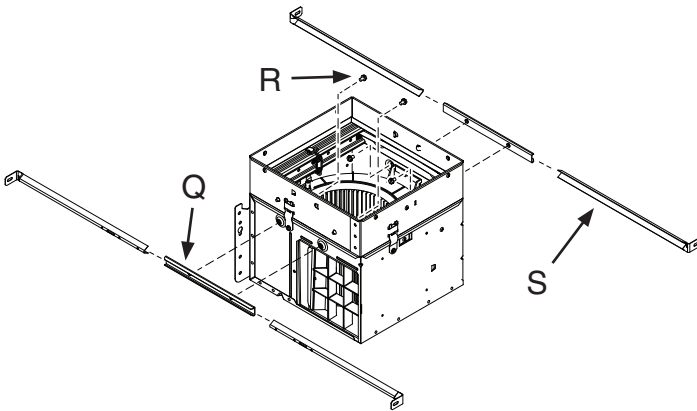


Step 12:
XB, ZB, XN, ZN Models ONLY

12. Slide **MOUNTING FRAME (O)** onto fan housing. Pull frame up around housing until it snaps into place.

Secure mounting frame to fan housing with **(2) #8 X 3/8" FLAT HEAD SHEET METAL SCREWS (P)** supplied in the fan parts bag.

14. Install **6" DUCT CONNECTOR (T)** to fan housing and secure with screw supplied in fan parts bag.



Step 13:
QT Models ONLY

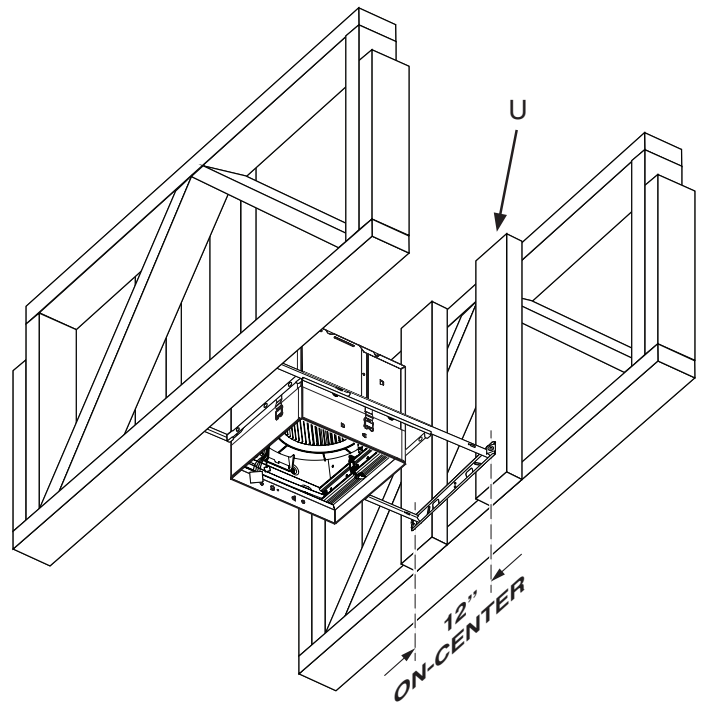
13. Attach **MOUNTING CHANNELS (Q)** to housing using **SCREWS (R)** supplied in fan parts bag.

Insert **SLIDE BRACKETS (S)** into mounting channels.

Prepare Ceiling & Install Fan in Ceiling

This radiation Damper and Fan Combination is UL/ cUL Listed for use in the following Floor Ceiling and Roof Ceiling Assemblies: L521, L528, L546, L558, L562, L574, L576, L581, L583, L585, P522, P533, P538, P545, and P547.

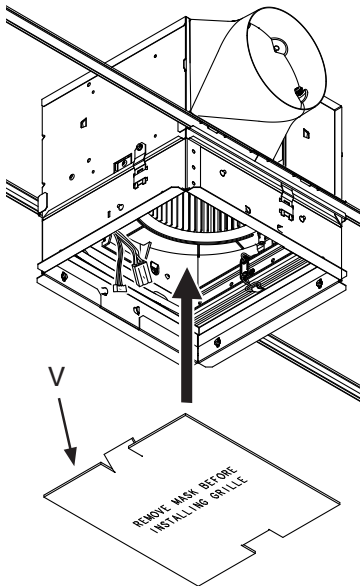
15. Install additional **2 X 4 VERTICAL BLOCKS (U)** as shown.
16. Make sure lower edge of radiation damper is flush with **INTERIOR SIDE OF FINISHED CEILING**.
17. Securely fasten mounting support brackets to (4) vertical blocks
18. Attach round metal duct to the duct connector and discharge air to an outside location. Seal all connection joints with duct tape.



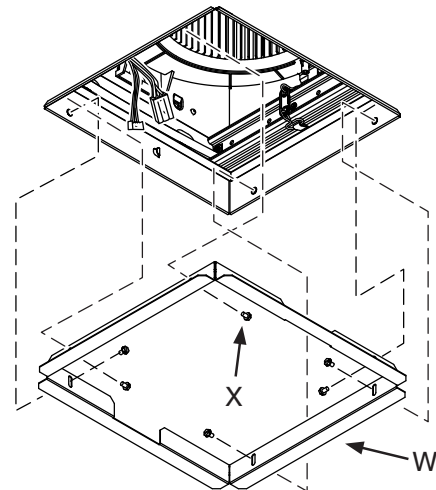
Connect Wiring

19. Refer to instructions supplied with the fan for various electrical wiring configurations.

Finish Installation

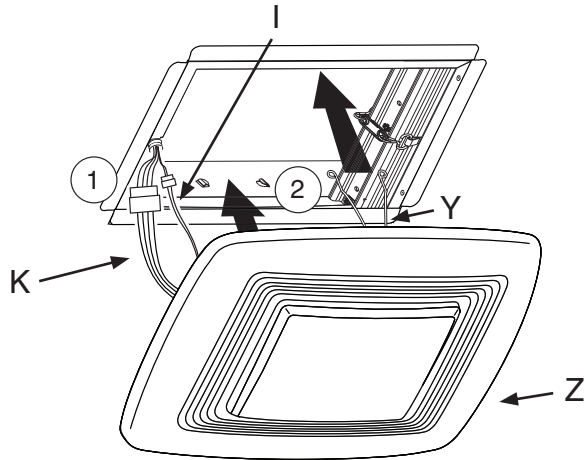


20. Install **MASK (V)** supplied with the fan to protect damper and fan from drywall spray, construction dust, etc.
21. Finish ceiling around radiation damper opening. Ceiling opening must be no larger than the outside of the radiation damper.



22. Remove **MASK (V)** from housing.
23. Fasten **(2) PLASTER SUPPORTS (W)** to the radiation damper extension with **(6) #8 X 3/8" SHEET METAL SCREWS (X)**. (Supplied in radiation damper parts bag.)

Install Grille



Step 24: Lighted Fans ONLY.

24. Attach connector from the **LIGHT JUMPER WIRE (K)** to mating connector(s) from the grille.

Step 25: Humidity-Sensing Fans and Motion Sensing Fans ONLY.

25. Connect **SENSOR JUMPER WIRE (I)** into the sensors connector located on the grille.
24. Squeeze **2 GRILLE SPRINGS (Y)** and slide into tabs on the radiation damper frame. Push **GRILLE (Z)** until it's tight against ceiling surface.

If additional clearance is required between ceiling and grille, replace grille springs with longer ones (provided in parts bag).

Service Feature For Fans

If your ventilation fan needs service, the inner damper can be removed from the outer frame without disturbing the surrounding ceiling material.

Remove the grille and disconnect all electrical connections from the grille.

Remove (4) screws, then lower the inner damper to access ventilation fan. Replace the inner damper before operating fan.

Limited Warranty

Warranty Period and Exclusions: Broan-NuTone LLC (the "Company") warrants to the original consumer purchaser of its product ("you") that the product (the "Product") will be free from material defects in the Product or its workmanship for a period of one (1) year from the date of original purchase.

The limited warranty period for any replacement parts provided by the Company and for any Products repaired or replaced under this limited warranty shall be the remainder of the original warranty period.

This warranty does not cover speed controls, fluorescent lamp starters, tubes, halogen and incandescent bulbs, fuses, filters, ducts, roof caps, wall caps and other accessories for ducting that may be purchased separately and installed with the Product. This warranty also does not cover (a) normal maintenance and service, (b) normal wear and tear, (c) any Products or parts which have been subject to misuse, abuse, abnormal usage, negligence, accident, improper or insufficient maintenance, storage or repair (other than repair by the Company), (d) damage caused by faulty installation, or installation or use contrary to recommendations or instructions, (e) any Product that has been moved from its original point of installation, (f) damage caused by environmental or natural elements, (g) damage in transit, (h) natural wear of finish, (i) Products in commercial or nonresidential use, or (j) damage caused by fire, flood or other act of God. This warranty covers only Products sold to original consumers in the United States by the Company or U.S. distributors authorized by the Company.

This warranty supersedes all prior warranties and is not transferable from the original consumer purchaser.

No Other Warranties: This Limited Warranty contains the Company's sole obligation and your sole remedy for defective products. The foregoing warranties are exclusive and in lieu of any other warranties, express or implied. THE COMPANY DISCLAIMS AND EXCLUDES ALL OTHER EXPRESS WARRANTIES, AND DISCLAIMS AND EXCLUDES ALL WARRANTIES IMPLIED BY LAW, INCLUDING WITHOUT LIMITATION THOSE OF MERCHANTABILITY AND FITNESS FOR A PARTICULAR PURPOSE. To the extent that applicable law prohibits the exclusion of implied warranties, the duration of any applicable implied warranty is limited to the period specified for the express warranty above. Some states do not allow limitations on how long an implied warranty lasts, so the above limitation may not apply to you. Any oral or written description of the Product is for the sole purpose of identifying it and shall not be construed as an express warranty.

Whenever possible, each provision of this Limited Warranty shall be interpreted in such manner as to be effective and valid under applicable law, but if any provision is held to be prohibited or invalid, such provision shall be ineffective only to the extent of such prohibition or invalidity, without invalidating the remainder of such provision or the other remaining provisions of the Limited Warranty.

Remedy: During the applicable limited warranty period, the Company will, at its option, provide replacement parts for, or repair or replace, without charge, any Product or part thereof, to the extent the Company finds it to be covered by and in breach of this limited warranty under normal use and service. The Company will ship the repaired or replaced Product or replacement parts to you at no charge. You are responsible for all costs for removal, reinstallation and shipping, insurance or other freight charges incurred in the shipment of the Product or part to the Company. If you must send the Product or part to the Company, as instructed by the Company, you must properly pack the Product or part—the Company is not responsible for damage in transit. The Company reserves the right to utilize reconditioned, refurbished, repaired or remanufactured Products or parts in the warranty repair or replacement process. Such Products and parts will be comparable in function and performance to an original Product or part and warranted for the remainder of the original warranty period.

Exclusion of Damages: THE COMPANY'S OBLIGATION TO PROVIDE REPLACEMENT PARTS, OR REPAIR OR REPLACE, AT THE COMPANY'S OPTION, SHALL BE YOUR SOLE AND EXCLUSIVE REMEDY UNDER THIS LIMITED WARRANTY AND THE COMPANY'S SOLE AND EXCLUSIVE OBLIGATION. THE COMPANY SHALL NOT BE LIABLE FOR INCIDENTAL, INDIRECT, CONSEQUENTIAL OR SPECIAL DAMAGES ARISING OUT OF OR IN CONNECTION WITH THE PRODUCT, ITS USE OR PERFORMANCE.

Some states do not allow the exclusion or limitation of incidental or consequential damages, so the above limitation or exclusion may not apply to you. This warranty gives you specific legal rights, and you may also have other rights, which vary from state to state.

This warranty covers only replacement or repair of defective Products or parts thereof at the Company's main facility and does not include the cost of field service travel and living expenses.

Any assistance the Company provides to or procures for you outside the terms, limitations or exclusions of this limited warranty will not constitute a waiver of such terms, limitations or exclusions, nor will such assistance extend or revive the warranty.

The Company will not reimburse you for any expenses incurred by you in repairing or replacing any defective Product, except for those incurred with the Company's prior written permission.

How to Obtain Warranty Service: To qualify for warranty service, you must (a) notify the Company at the address or telephone number stated below within seven (7) days of discovering the covered defect, (b) give the model number and part identification and (c) describe the nature of any defect in the Product or part. At the time of requesting warranty service, you must present evidence of the original purchase date. If you cannot provide a copy of the original written limited warranty, then the terms of the Company's most current written limited warranty for your particular product will control. The most current limited written warranties for the Company's products can be found at www.broan.com.

Broan-NuTone LLC 926 West State Street Hartford, WI 53027 www.broan.com 800-637-1453

BROAN
NuTone

BROAN
NuTone

LEA Y CONSERVE ESTAS INSTRUCCIONES

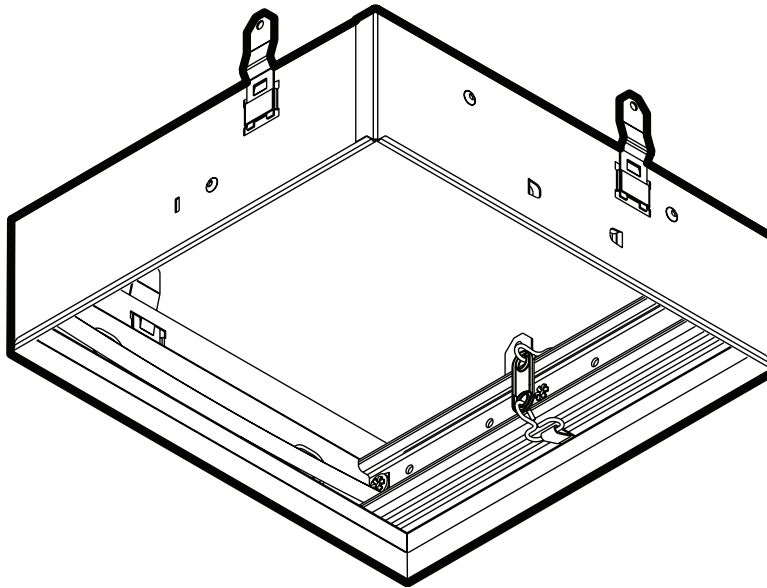
Instalador: Deje esta guía con el dueño de la casa.

Registre su producto en línea en: www.broan.com/register o www.nutone.com/register.

RDFUWT

Regulador de radiación
de primera calidad

GUÍA DE INSTALACIÓN



Instalación sencilla

Uso

Para usarse en los diseños de piso a cielo raso y techo a cielo raso con clasificación de 1, 2 o 3 horas.

Tiene certificación de UL/ cUL para usarse en los siguientes conjuntos de cielo raso a piso y cielo raso a techo: L521, L528, L546, L558, L562, L574, L576, L581, L583, L585, P522, P533, P538, P545 y P547 al instalarlo según las siguientes instrucciones:

Solamente montaje horizontal / en cielo raso plano.

Para usarse con los siguientes modelos de ventilador:

Broan XB50, XB50L, XB50L1, XB80, XB80L, XB80L1, XB110, XB110L, XB110L1, XB110H, XB110HL, XB110HL1, ZB80, ZB80M, ZB110, ZB110H, ZB110M, ZB80L, ZB80L1, ZB80ML, ZB80ML1, ZB110L, ZB110L1, ZB110HL, ZB110HL1, ZB110ML, ZB110ML1, QT130E, QT130LE, QT140E, QT140LE, QTXE150, QTXE150FLT

Broan Canada XB50C, XB90C, XB90LC, XB90HC, XB110C, XB110LC, XB110HC, ZB110C, ZB90C, ZB110LC, ZB90LC, ZB110HC, ZB110MC, ZB90MC, ZB90HC, ZB110MLC, ZB90MLC

NuTone QTN130E, QTN130LE1, QTXEN150, QTXEN150FLT, XN50, XN50L, XN80, XN80L, XN110, XN110L, XN110H, XN110HL, ZN80, ZN80M, ZN110, ZN110H, ZN110M, ZN80L, ZN80ML, ZN110L, ZN110HL, ZN110ML

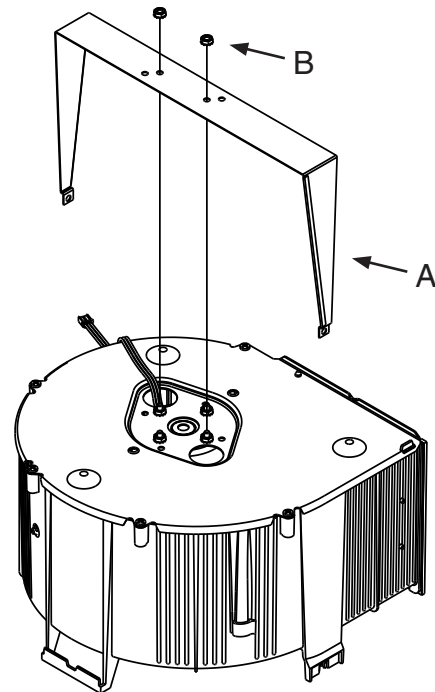
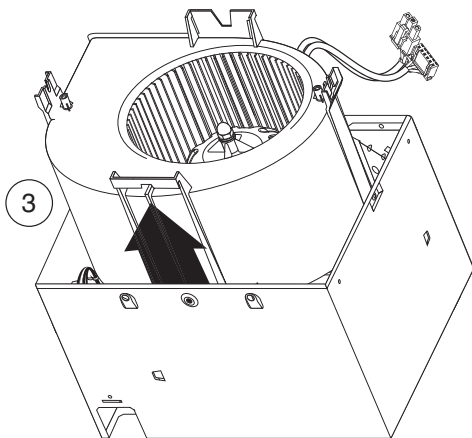
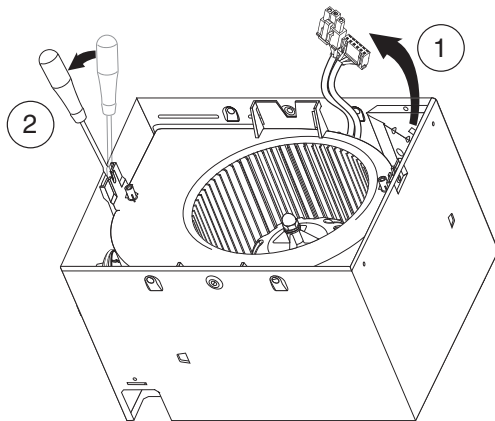
NuTone Canada XN50C, XN90C, XN110C, XN90LC, XN90HC, XN110LC, XN110HC, ZN90C, ZN90LC, ZN90HC, ZN90MC, ZN90MLC, ZN110C, ZN110LC, ZN110HC, ZN110MC, ZN110MLC



VEA LOS DETALLES
EN LA MARCA DE
CLASIFICACIÓN UL
DEL PRODUCTO

Preparación del ventilador

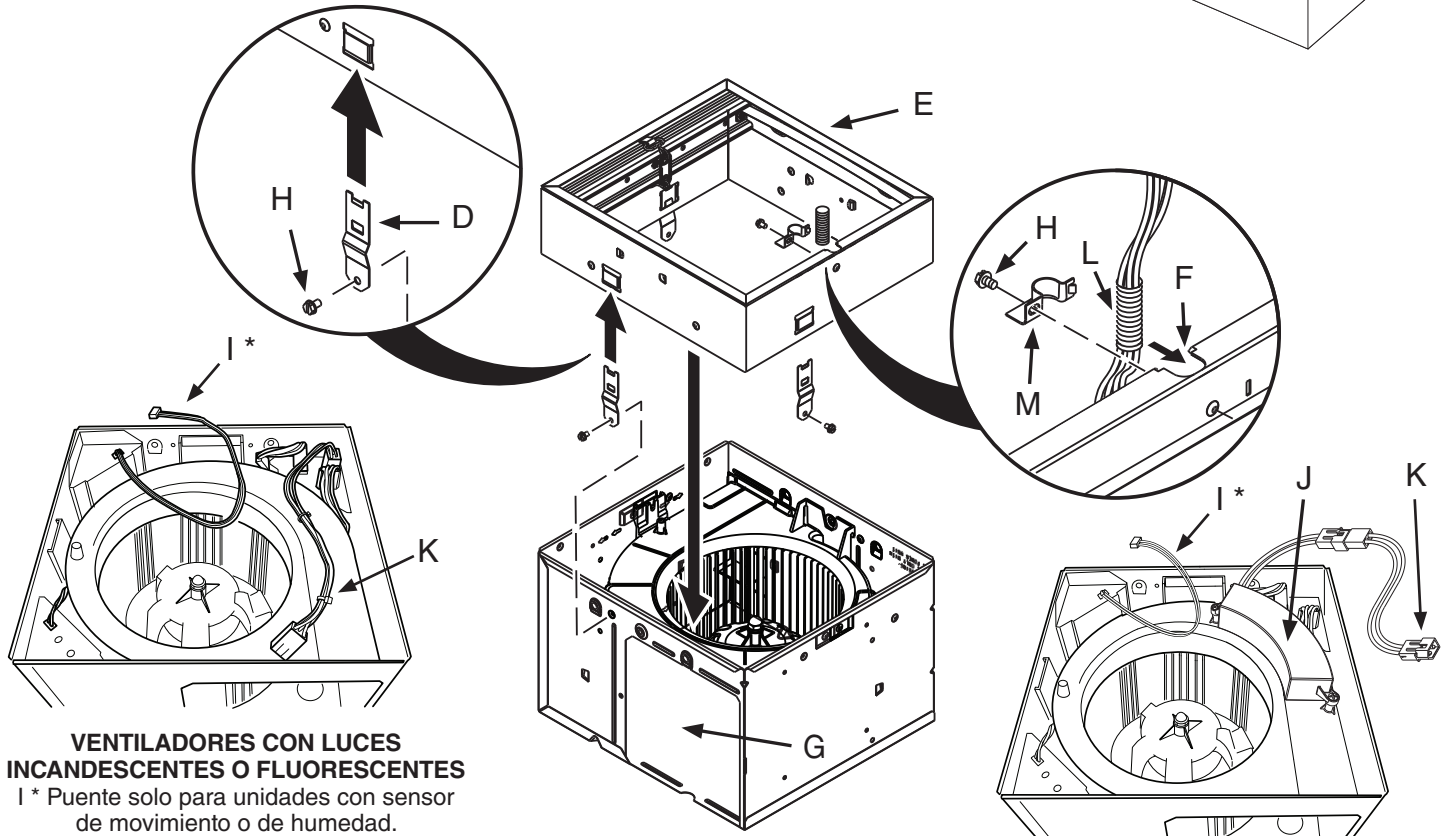
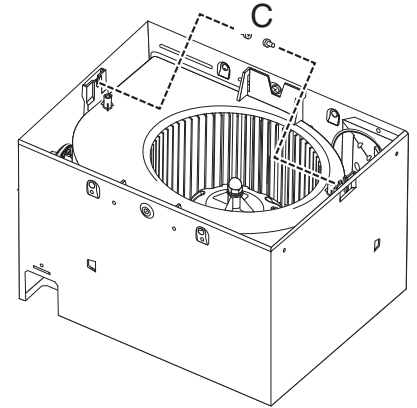
Los siguientes pasos se realizan mejor sobre una superficie de trabajo antes de instalar el ventilador. Proteja las cubiertas colocando una hoja corrugada debajo del ventilador.



- Monte el **SOPORTE DE APOYO (A)** (suministrado con el regulador de radiación) en el soplador del ventilador, como se muestra. Asegure el soporte a los montantes del motor con dos **(2) TUERCAS HEXAGONALES #8-32 (B)** que se suministran en la bolsa de piezas del regulador de radiación.

- Retire el soplador y todo el material de embalaje de la cubierta del ventilador.

3. Reinstale el soplador en la cubierta del ventilador. Instale dos (2) **TORNILLOS DE CHAPA METÁLICA DE CABEZA HEXAGONAL #8 x 1/2 pulg. (C)** que se suministran en la bolsa de piezas del ventilador.
4. Deslice cuatro (4) **SOPORTES DE MONTAJE (D)** en las ranuras en cuatro lados del **MARCO DE EXTENSIÓN DEL REGULADOR DE RADIACIÓN (E)**. Después del montaje, asegúrese de que encajen a presión en su lugar y se enganchen de forma segura.
5. Centre el regulador de radiación sobre la cubierta del ventilador. Asegúrese de que la **MUESCA (F)** esté colocada correctamente en relación con la **ABERTURA DEL CONECTOR DE CONDUCTO (G)**.
6. Alinee los soportes del regulador de radiación con los orificios en la cubierta del ventilador. Fije los soportes a la cubierta del ventilador con cuatro (4) **TORNILLOS DE CHAPA METÁLICA #8 X 3/8 PULG. (H)** (que se suministran en la bolsa de piezas del regulador de radiación).



VENTILADORES CON LUCES INCANDESCENTES O FLUORESCENTES

I * Puente solo para unidades con sensor de movimiento o de humedad.

VENTILADORES CON LUCES LED

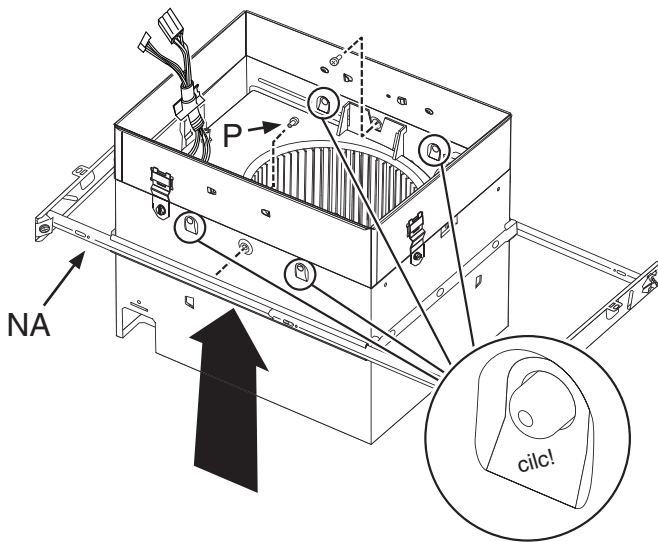
I * Puente solo para unidades con sensor de movimiento o de humedad.

Pasos 7 a 11:
SOLAMENTE ventiladores con luz, ventiladores con sensor de humedad y ventiladores con sensor de movimiento.

Para ventiladores que no estén equipados con luz, sensor de humedad o sensor de movimiento: Diríjase al paso 12.

7. Alargue los cables principales. Adquiera el juego de puentes modelo RDJUMPU o RDJUMPU1 con su distribuidor o concesionario local autorizado de Broan-NuTone.
- Cada juego contiene:
- 1 - puente para los modelos de ventilador con luz
 - 1 - puente para los modelos de ventilador con sensor
- 8a. Para ventiladores equipados con luces incandescentes o fluorescentes, conecte un extremo del **PUNTE DE ILUMINACIÓN (K)** al conector correspondiente en la caja de cableado del ventilador.
 - 8b. Para ventiladores equipados con luces LED, conecte un extremo del **PUNTE DE ILUMINACIÓN (K)** al conector correspondiente del **CONTROLADOR DE LED (J)**.

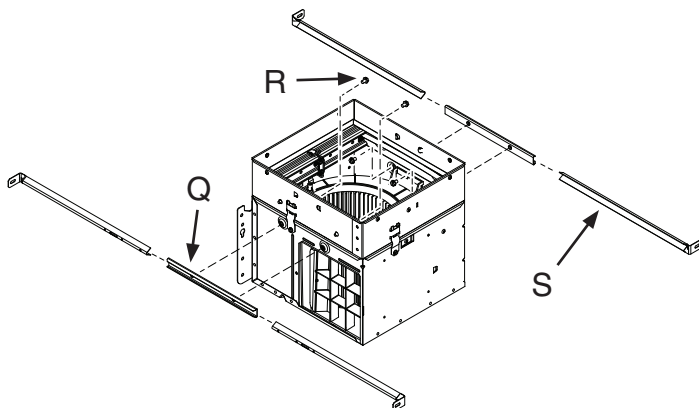
- 8c. Para ventiladores equipados con sensores de humedad o de movimiento, conecte un extremo del **PUNTE DEL SENSOR (I)** al conector correspondiente en la caja de cableado del ventilador.
9. Tienda los **PUNTES (I) (K)** hacia la **MUESCA (F)** en el marco del regulador.
10. Presione los cables puente en el **AISLANTE DE TUBO DIVIDIDO DE PLÁSTICO (L)** (suministrado en la bolsa de piezas del regulador). Empuje el tubo dividido de plástico dentro de la abertura de la **MUESCA (F)**.
11. Alinee la lengüeta de la **ABRAZADERA DEL CABLE (M)** con la ranura correspondiente en la extensión del regulador. Fije la abrazadera con el **TORNILLO DE CHAPA METÁLICA #8 x 3/8 pulg. (H)** suministrado.



Paso 12:
SOLAMENTE modelos XB, ZB, XN, ZN

12. Deslice el **MARCO DE MONTAJE (O)** en la cubierta del ventilador. Suba el marco alrededor de la cubierta hasta que quede sujetado a presión.

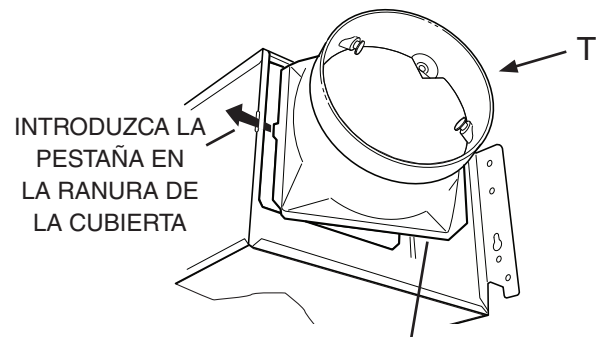
Fije el marco de montaje a la cubierta del ventilador con dos (2) **TORNILLOS DE CHAPA METÁLICA DE CABEZA PLANA #8 X 3/8 pulg. (P)** que se suministran en la bolsa de piezas del ventilador.



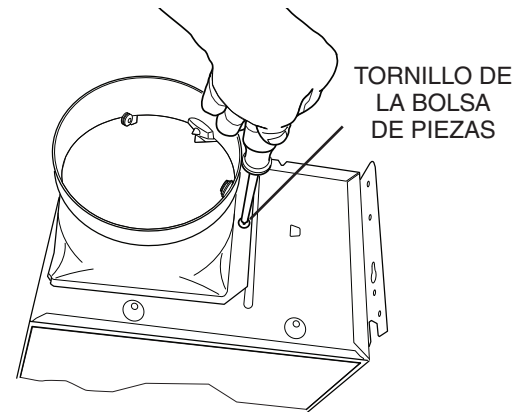
Paso 13:
SOLAMENTE modelos QT

13. Sujete los **CANALES DE MONTAJE (Q)** a la cubierta con los **TORNILLOS (R)** que se suministran en la bolsa de piezas del ventilador.

Introduzca los **SOPORTES DESLIZANTES (S)** en los canales de montaje.



LAS BRIDAS SUPERIOR E INFERIOR PERMANECEN FUERA DE LA CUBIERTA

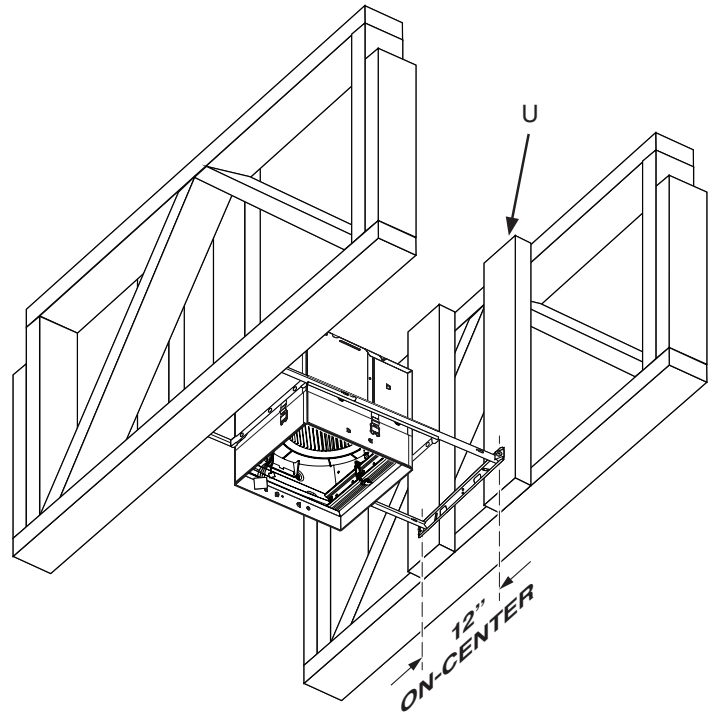


14. Instale el **CONECTOR DE CONDUCTO DE 6 pulg. (T)** en la cubierta del ventilador y asegúrelo con el tornillo incluido en la bolsa de piezas del ventilador.

Prepare el cielo raso e instale allí el ventilador

La combinación de regulador de radiación y ventilador tiene certificación de UL/cUL para usarse en los siguientes conjuntos de cielo raso a piso y cielo raso a techo: L521, L528, L546, L558, L562, L574, L576, L581, L583, L585, P522, P533, P538, P545 y P547.

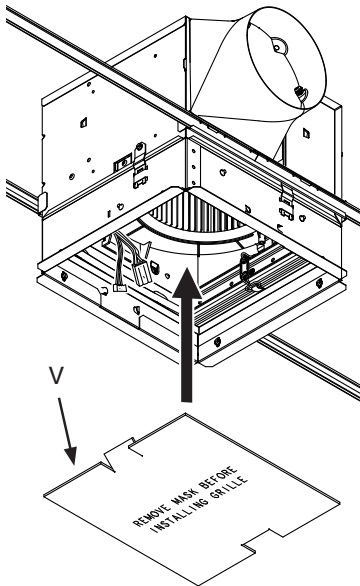
15. Instale **BLOQUES VERTICALES 2x4 adicionales (U)**, como se muestra.
16. Asegúrese de que el borde inferior del regulador de radiación esté al ras con el **LADO INTERIOR DEL CIELO RASO TERMINADO**.
17. Fije con firmeza los soportes de montaje de apoyo en los cuatro (4) bloques verticales
18. Fije el conducto metálico redondo al conector para conductos y haga que se descargue el aire en un lugar en el exterior. Selle todas las juntas de conexión con cinta para conductos.



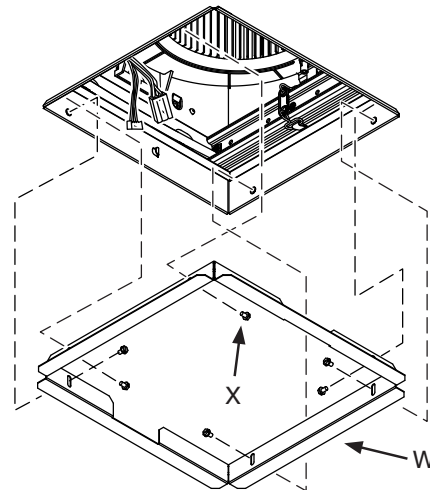
Conecte el cableado

19. Consulte las instrucciones suministradas con el ventilador para ver las diferentes configuraciones de cableado eléctrico.

Termine la instalación

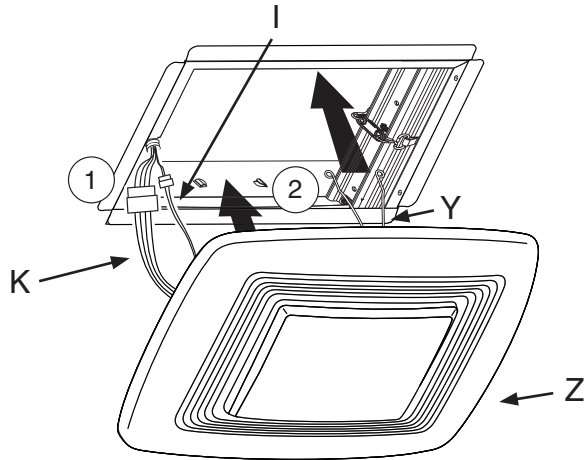


20. Instale la **COBERTURA (V)** suministrada con el ventilador a fin de proteger el regulador y el ventilador contra los rocios de yeso, polvos de construcción, etc.
21. Termine el cielo raso alrededor de la abertura del regulador. La abertura del cielo raso no debe ser más grande que el exterior del regulador de radiación.



22. Retire la **COBERTURA (V)** de la cubierta.
23. Fije dos (2) **SOPORTES DE YESO (W)** a la extensión del regulador de radiación con seis (6) **TORNILLOS DE CHAPA METÁLICA #8 X 3/8 pulg. (X)**. (Se suministran en la bolsa de piezas del regulador de radiación.)

Instale la rejilla



Paso 25:
SOLAMENTE ventiladores con sensor de humedad y ventiladores con sensor de movimiento

25. Conecte **EL CABLE DE PUENTE DEL SENSOR (I)** en el conector del sensor ubicado en la rejilla.
24. Comprima **2 RESORTES DE LA REJILLA (Y)** y deslícelos dentro de las lengüetas del marco del regulador de radiación. Empuje la **REJILLA (Z)** hasta que esté firme contra la superficie del cielo raso.

Si es necesaria una mayor separación entre el cielo raso y la rejilla, reemplace los resortes de la rejilla por unos más largos (suministrados en la bolsa de piezas).

Paso 24:
SOLAMENTE ventiladores con luz.

24. Fije el conector del **CABLE PUENTE DE LA LUZ (K)** a los conectores correspondientes de la rejilla.

Función de servicio para ventiladores

Si su ventilador necesita servicio de reparación/mantenimiento, es posible quitar el regulador interior del marco exterior sin perturbar el material del cielo raso circundante.

Quite la rejilla y desconecte todas sus conexiones eléctricas.

Quite los cuatro (4) tornillos y luego baje el regulador interior para tener acceso al ventilador. Reinstale el regulador interior antes de activar el ventilador.

Limited Warranty

Warranty Period and Exclusions: Broan-NuTone LLC (the "Company") warrants to the original consumer purchaser of its product ("you") that the product (the "Product") will be free from material defects in the Product or its workmanship for a period of one (1) year from the date of original purchase.

The limited warranty period for any replacement parts provided by the Company and for any Products repaired or replaced under this limited warranty shall be the remainder of the original warranty period.

This warranty does not cover speed controls, fluorescent lamp starters, tubes, halogen and incandescent bulbs, fuses, filters, ducts, roof caps, wall caps and other accessories for ducting that may be purchased separately and installed with the Product. This warranty also does not cover (a) normal maintenance and service, (b) normal wear and tear, (c) any Products or parts which have been subject to misuse, abuse, abnormal usage, negligence, accident, improper or insufficient maintenance, storage or repair (other than repair by the Company), (d) damage caused by faulty installation, or installation or use contrary to recommendations or instructions, (e) any Product that has been moved from its original point of installation, (f) damage caused by environmental or natural elements, (g) damage in transit, (h) natural wear of finish, (i) Products in commercial or nonresidential use, or (j) damage caused by fire, flood or other act of God. This warranty covers only Products sold to original consumers in the United States by the Company or U.S. distributors authorized by the Company.

This warranty supersedes all prior warranties and is not transferable from the original consumer purchaser.

No Other Warranties: This Limited Warranty contains the Company's sole obligation and your sole remedy for defective products. The foregoing warranties are exclusive and in lieu of any other warranties, express or implied. THE COMPANY DISCLAIMS AND EXCLUDES ALL OTHER EXPRESS WARRANTIES, AND DISCLAIMS AND EXCLUDES ALL WARRANTIES IMPLIED BY LAW, INCLUDING WITHOUT LIMITATION THOSE OF MERCHANTABILITY AND FITNESS FOR A PARTICULAR PURPOSE. To the extent that applicable law prohibits the exclusion of implied warranties, the duration of any applicable implied warranty is limited to the period specified for the express warranty above. Some states do not allow limitations on how long an implied warranty lasts, so the above limitation may not apply to you. Any oral or written description of the Product is for the sole purpose of identifying it and shall not be construed as an express warranty.

Whenever possible, each provision of this Limited Warranty shall be interpreted in such manner as to be effective and valid under applicable law, but if any provision is held to be prohibited or invalid, such provision shall be ineffective only to the extent of such prohibition or invalidity, without invalidating the remainder of such provision or the other remaining provisions of the Limited Warranty.

Remedy: During the applicable limited warranty period, the Company will, at its option, provide replacement parts for, or repair or replace, without charge, any Product or part thereof, to the extent the Company finds it to be covered by and in breach of this limited warranty under normal use and service. The Company will ship the repaired or replaced Product or replacement parts to you at no charge. You are responsible for all costs for removal, reinstallation and shipping, insurance or other freight charges incurred in the shipment of the Product or part to the Company. If you must send the Product or part to the Company, as instructed by the Company, you must properly pack the Product or part—the Company is not responsible for damage in transit. The Company reserves the right to utilize reconditioned, refurbished, repaired or remanufactured Products or parts in the warranty repair or replacement process. Such Products and parts will be comparable in function and performance to an original Product or part and warranted for the remainder of the original warranty period.

Exclusion of Damages: THE COMPANY'S OBLIGATION TO PROVIDE REPLACEMENT PARTS, OR REPAIR OR REPLACE, AT THE COMPANY'S OPTION, SHALL BE YOUR SOLE AND EXCLUSIVE REMEDY UNDER THIS LIMITED WARRANTY AND THE COMPANY'S SOLE AND EXCLUSIVE OBLIGATION. THE COMPANY SHALL NOT BE LIABLE FOR INCIDENTAL, INDIRECT, CONSEQUENTIAL OR SPECIAL DAMAGES ARISING OUT OF OR IN CONNECTION WITH THE PRODUCT, ITS USE OR PERFORMANCE.

Some states do not allow the exclusion or limitation of incidental or consequential damages, so the above limitation or exclusion may not apply to you. This warranty gives you specific legal rights, and you may also have other rights, which vary from state to state.

This warranty covers only replacement or repair of defective Products or parts thereof at the Company's main facility and does not include the cost of field service travel and living expenses.

Any assistance the Company provides to or procures for you outside the terms, limitations or exclusions of this limited warranty will not constitute a waiver of such terms, limitations or exclusions, nor will such assistance extend or revive the warranty.

The Company will not reimburse you for any expenses incurred by you in repairing or replacing any defective Product, except for those incurred with the Company's prior written permission.

How to Obtain Warranty Service: To qualify for warranty service, you must (a) notify the Company at the address or telephone number stated below within seven (7) days of discovering the covered defect, (b) give the model number and part identification and (c) describe the nature of any defect in the Product or part. At the time of requesting warranty service, you must present evidence of the original purchase date. If you cannot provide a copy of the original written limited warranty, then the terms of the Company's most current written limited warranty for your particular product will control. The most current limited written warranties for the Company's products can be found at www.broan.com.

Broan-NuTone LLC 926 West State Street Hartford, WI 53027 www.broan.com 800-637-1453