



Thermal Actuator with Adapter Ring



RADIANT HEATING AND COOLING SYSTEMS  
THERMAL ACTUATOR

INSTRUCTION SHEET

## Thermal Actuator for Radiant Heating and Cooling Systems

The Uponor Thermal Actuator, four-wire (A3023522) features a low, 1-watt power consumption and includes three adapter rings for compatibility with the following manifolds.

- Engineered Polymer (EP) Heating Manifold
- Stainless-steel Manifold
- TruFLOW™ Jr. Manifold
- TruFLOW Classic Manifold

### Adapter Rings



A2671300 (EP Heating Manifold Adapter Ring)

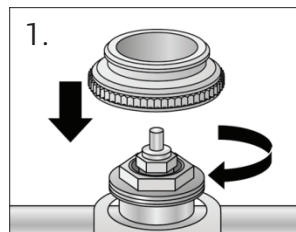


A2771060 (Stainless-steel Manifold Adapter Ring)

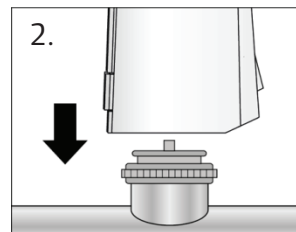


A2870100 (TruFLOW Manifold Adapter Ring)

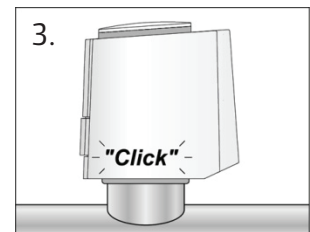
### Actuator Installation



1. Thread the adapter ring onto the valve.

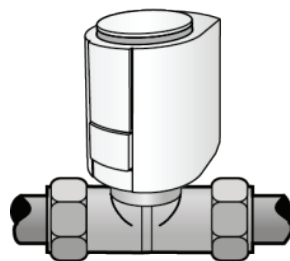


2. Place the actuator vertically on the adapter ring.

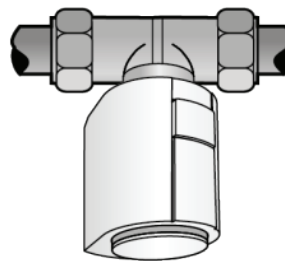


3. Press down vertically and snap the actuator onto the adapter ring.

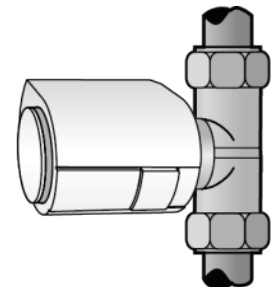
### Actuator Mounting



Vertical



Vertical (Inverted)

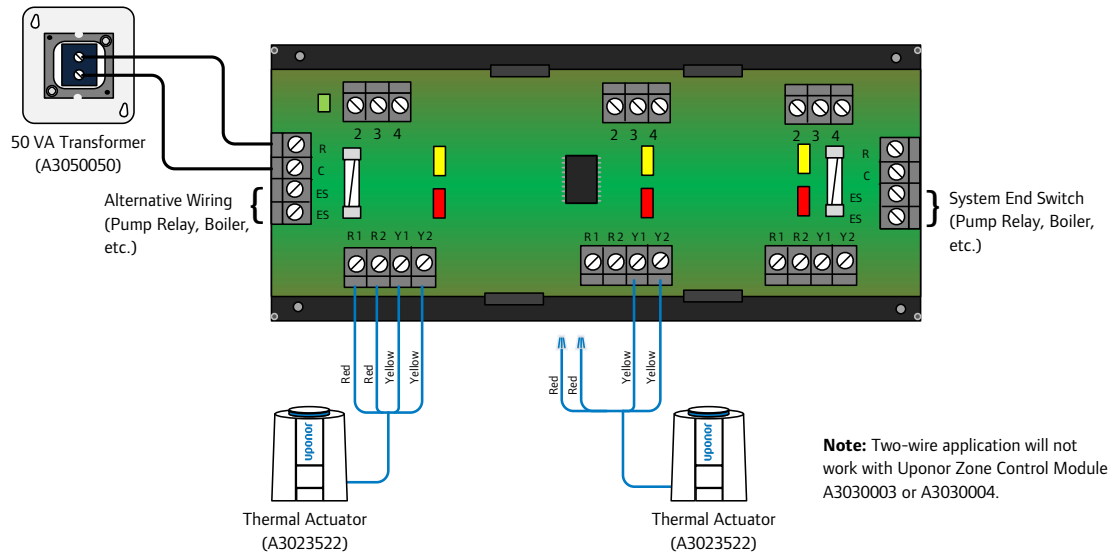


Horizontal

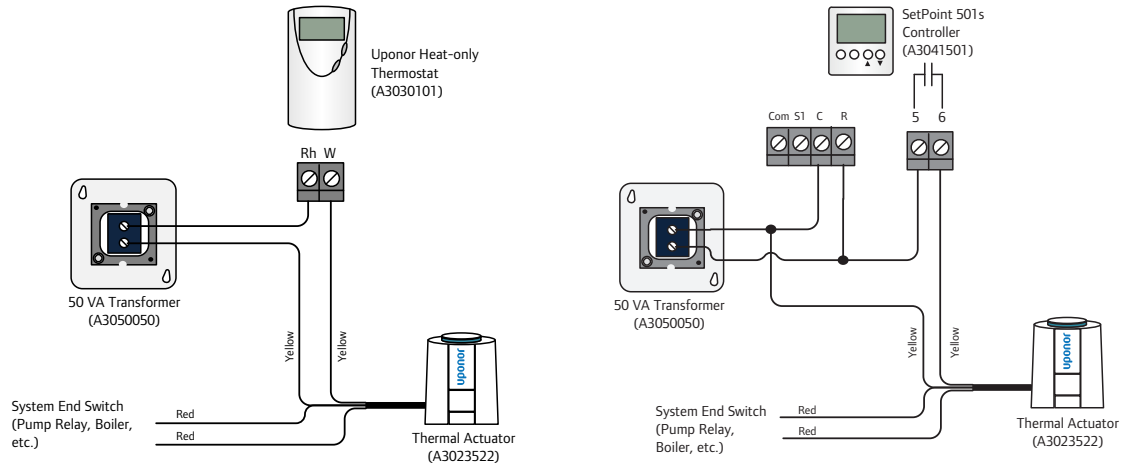
Install the actuator vertically or horizontally as shown above.

**Note:** The actuator is shipped locked partially open. To unlock, apply power for a minimum of 6 minutes. Failure to do so will allow flow through the loops.

## Actuator Wiring Instructions to Uponor Zone Control Module (A3031003 or A3031004)



## Actuator Wiring Instructions to Uponor Heating Thermostats



### Specifications

Operating voltage:	24V AC/DC 60Hz
Operating power:	1.0w
Maximum inrush current:	300 mA for max. 2 min

### End Switch

Switching current:	24 vac 0.5A
Ambient temperature:	32°F to 140°F (0°C to 60°C)
Storage temperature:	-13°F to 149°F (-25°C to 65°C)

**Uponor, Inc.**  
 5925 148th Street West  
 Apple Valley, MN 55124 USA  
 Tel: 800.321.4739  
 Fax: 952.891.2008

**Uponor Ltd.**  
 2000 Argentia Rd., Plaza 1, Ste. 200  
 Mississauga, ON L5N 1W1 CANADA  
 Tel: 888.994.7726  
 Fax: 800.638.9517

**uponor**

www.uponorpro.com