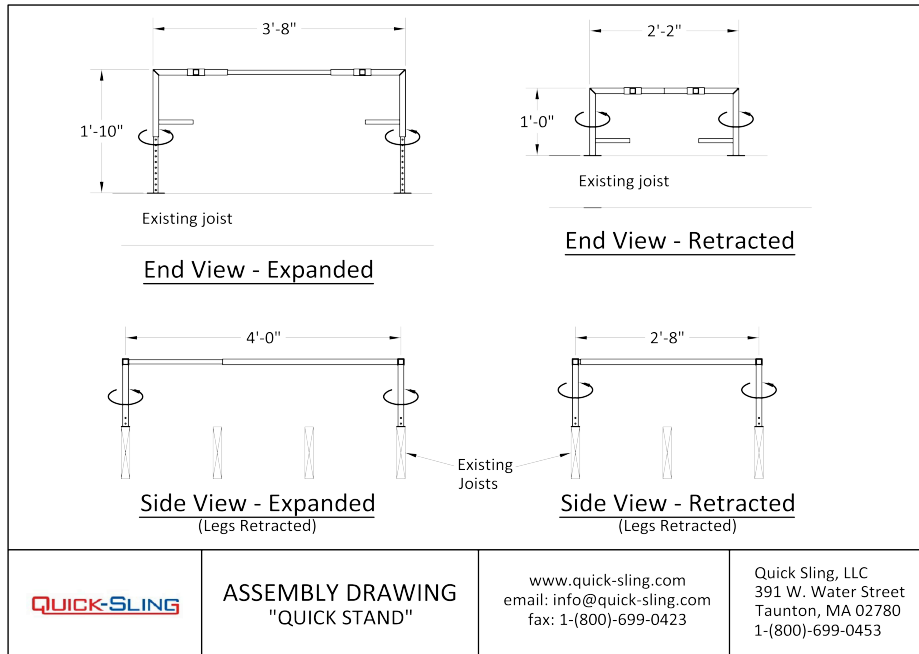


Quick Stand Unit Installation: *(Please adhere to all local laws and building codes)* Model#: (QSTD1000)



Step #1: Remove partially pre-assembled Quick Stand from the box and lay out on a flat surface.

Step #2: Insert 24" Extension Bar (ST102) into each end of the L-Bar Frame (ST101), see Parts Drawing for reference diagram. Adjust to desired width and insert and tighten 1/4" Thumbscrew (Yellow Labeled Bag).

Make sure centerline mark on ST102 is equal distance from each L-Bar Frame.

Step #3: Remove 1 1/4" Thumbscrews & Wing Nuts ("G") in order to adjust height of unit in (ST103) Adjustable Leg Extension.

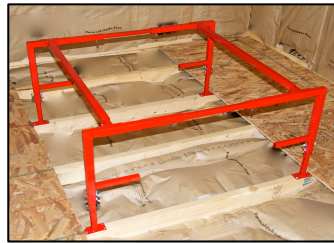


Photo #1
(On left) Quick Stand assembled and in place without Secondary Drain Pan.

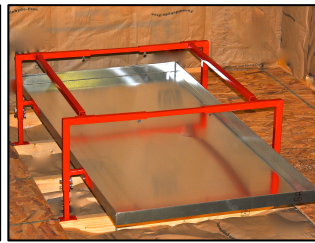
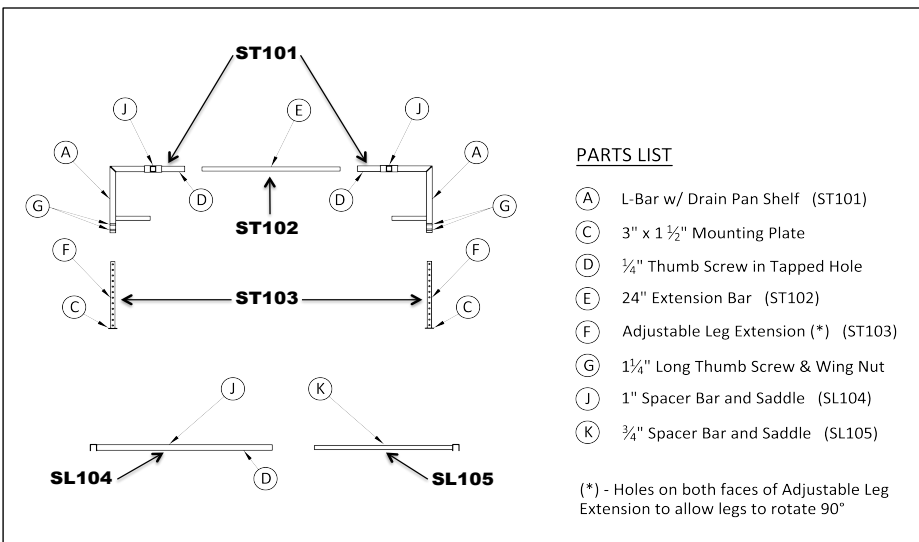


Photo #2
(On left) Quick Stand assembled in place with Secondary Drain Pan.



Photo #3
(On left) Quick Stand assembled in place with HVAC furnace installed.

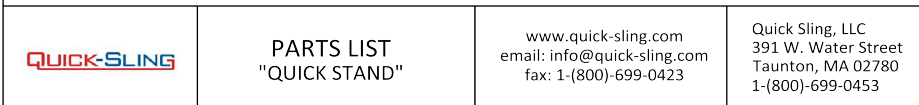


Step #4: Attach the two 2-piece Spacer Bar & Saddle (SL104 & SL105) connecting both frames (ST101) and tighten the thumbscrews. See Photo #1.

Step #5: Place Quick Stand on desired location and attach in place using four 2" Pan Head Screws in each foot (Yellow Labeled Bag).

Step #6: You are now ready to install your HVAC Unit & Secondary Drain Pan (See Photos #2 & #3).

Step #7: Use Anti-Vibration Rubber Pads (Pink Labeled Bag) between HVAC unit and L-Bar Frame or Spacer Bar & Saddles.



Please see important "Safe Install" information on back page.

Safe Install Warning

Install At Your Own Risk!

The load capacity of this product can only be assured if installation is carried out properly.

Mounting hardware is included with most models. However, it is the Buyer's sole responsibility to determine that the enclosed hardware is safe and suitable for the selected mounting location. Additional materials and safety precautions may be required, depending upon the size and location of the installation. When hardware is not included, the Buyer is solely responsible for furnishing and installing anchors and related mounting materials that are safe and suitable for the selected mounting location. Quick-Sling™ is not responsible for any installation faults or defects. It is highly recommended that the installation/mounting location be periodically inspected by a skilled technician. Make sure that the installation location is suitable enough to hold the brackets and associated equipment loads.

Disclaimer Of Liability

Quick-Sling LLC and its successors, distributors, jobbers, dealers and retailers ("Seller") shall in no way be responsible for any direct, indirect or consequential damage resulting from improper installation, misuse or misapplication of this product. It is the BUYER's sole responsibility for assuring proper installation and use.

Seller makes no warranty of merchantability of the goods or the fitness of the goods for any particular purpose. Seller makes no warranties of any kind, express or implied. The goods are sold as-is and with all faults.