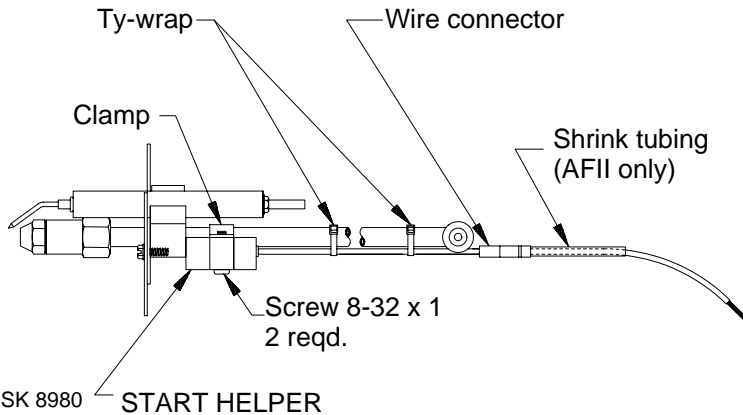


INSTALLATION INSTRUCTIONS

BECKETT START HELPER

Part No. 51621

Part No. 51621



Parts list:

Qty.	Description	Part number
(3)	Ty-wrap	12975
(1)	Clamp	21670
(2)	Screw 8-32 NC x 1 PN HD MCHN	4239
(1)	START HELPER	21671
(1)	Shrink tubing 2"	21770
(for AFII burner only)		

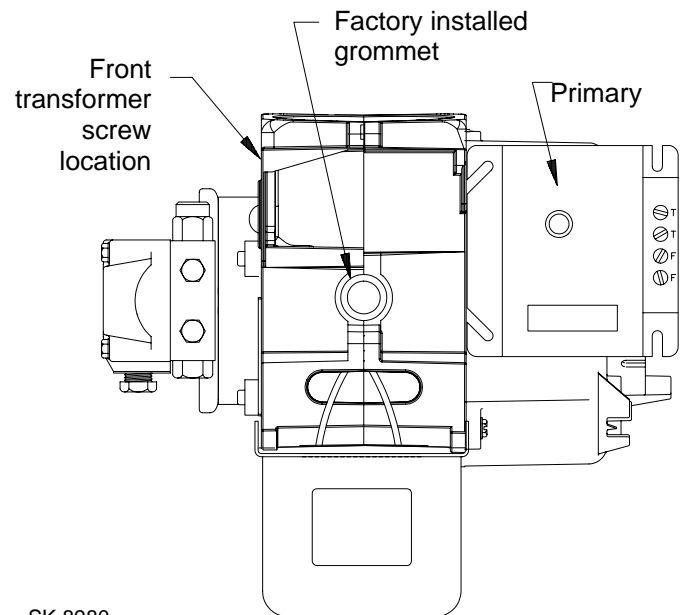
Certified by Underwriters Laboratories Inc. Accessories for burners. For use with listed R.W. Beckett Corp. models SR, SF, SM, AF, AFG, AFII, NX, and SMG oil burners.

SK 8980 START HELPER

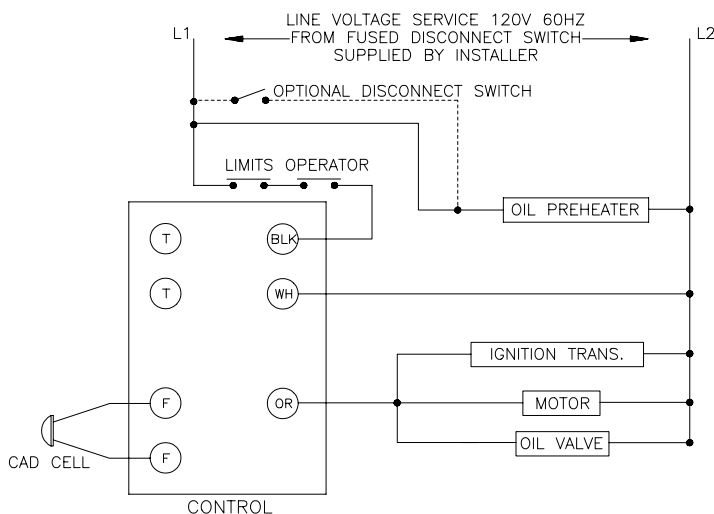
INSTALLATION:

1. Place "START HELPER" nozzle line heater on nozzle line behind electrode spacer. For burners other than model AFII, with air tube combinations shorter than 4-1/2", flip heater assembly over to allow heater to follow contour of nozzle line bend.
2. Install the clamp over the nozzle line and secure with two 8-32 x 1 screws.
3. Place first Ty-wrap approx. 4" from the "START HELPER". Place the second 6" away from the first or at the start of the bend in the nozzle line.
4. Place wire connector into the burner wiring compartment for AF, AFG, S, SF and SMG burners.

CAUTION: DO NOT allow the wires to rub or hang down into the blower wheel.



SK 8980



SK 8980

AFII WIRE INSTALLATION:

1. Puncture the factory installed grommet with an awl or similar tool, then force the "START HELPER" wires from inside the housing through the grommet and into the 4x4 box under the primary for wiring.

NOTE: A good seal around the wires is required to prevent air leak. Do not punch an oversize hole in the grommet.

2. "START HELPER" IS **NOT** recommended for use with an AFII housing without grommet in place as shown. For AFII models that do not have the grommet in place, please contact Beckett technical service at 1-800-645-2876 for further information regarding "START HELPER" installation.

R.W. BECKETT CORPORATION

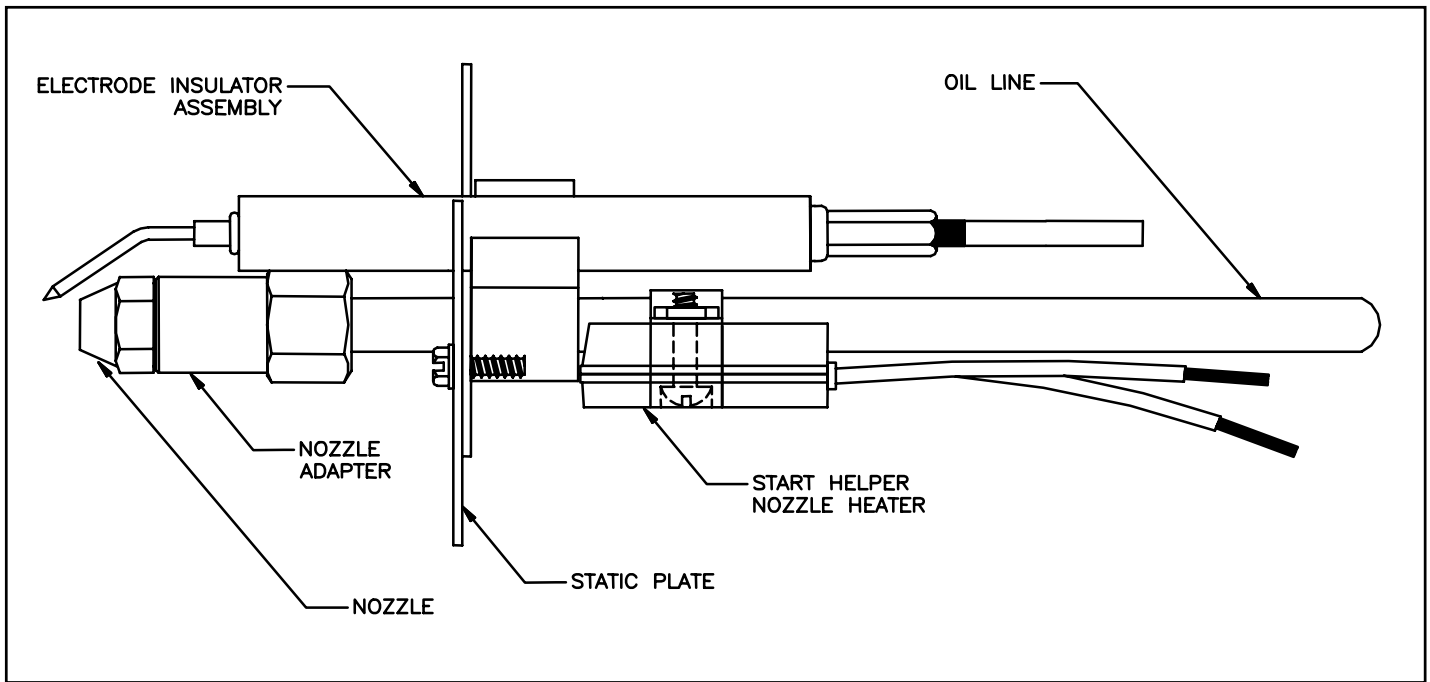
P.O. Box 1289, Elyria, Ohio 44036
1-800-645-2876

Printed in the U.S.A.

R.W. BECKETT CANADA, LTD

430 Laird, Unit 3, Guelph, Ontario, N1G 3X7
1-800-665-6972

RWB 61171 R03_1_07



Start Helper – How it works

A solid-state, self-regulating heating element inside the Start Helper maintains the temperature of oil in the nozzle line. As the temperature of the oil drops, the heat output from the Start Helper increases to maintain a constant temperature.

The Start Helper is continuously powered, assuring that the burner will start with a warm nozzle at all times. The burner with Start Helper will ignite and run with a more consistent atomization pattern until shutoff.

How To Order Start Helper

Part No. 51621

Call, write, or FAX your order to:
 Customer Service 1-800-645-2876
 FAX 1-800-800-9802

Start Helper Relationship to Nozzle Temperature

