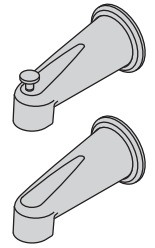


552TSD, 552TS
Elm™ Tub Spout Series
Operation & Maintenance Manual

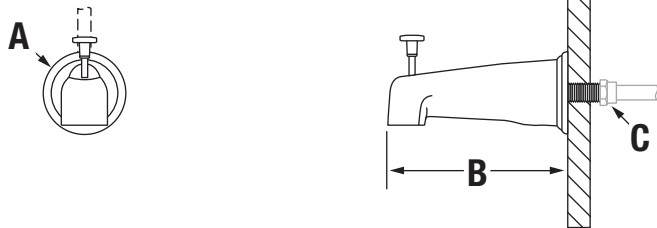


Model Numbers	Specifications
<input type="checkbox"/> 552TSD <i>Elm Diverter Tub Spout</i> <input type="checkbox"/> 552TS <i>Elm Non-diverter Tub Spout</i>	5 7/8" diverter tub spout (552TSD) and 5 7/8" non-diverter tub spout (552TS) made from metal materials plated in standard polished chrome finish.
Modifications	Warranty
<input type="checkbox"/> -SBZ <i>Seasoned bronze finish</i> <input type="checkbox"/> -STN <i>Satin nickel finish</i>	<p>Limited Lifetime - to the original end purchaser in consumer installations. 5 Years - for commercial installations.</p> <p>Refer to www.symmons.com/warranty for complete warranty information.</p>

Note: Append appropriate -suffix to model number.

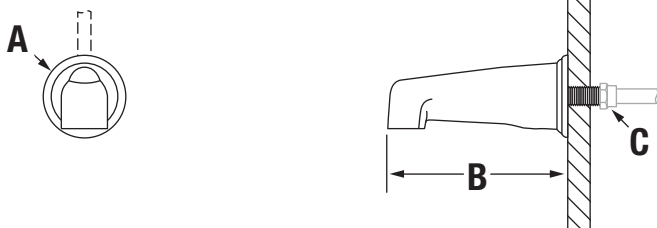
Dimensions

552TSD



Measurements	
A	Ø 2 5/8", 67 mm
B	5 7/8", 149 mm
C	1/2" - 14 NPT

552TS



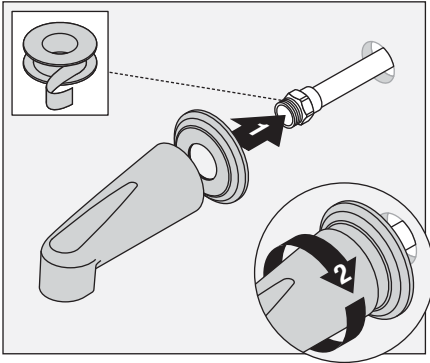
Required for Installation	
Teflon Tape	

Note: Dimensions are subject to change without notice.

552TSD, 552TS
Elm™ Tub Spout Series
Operation & Maintenance Manual

Installation

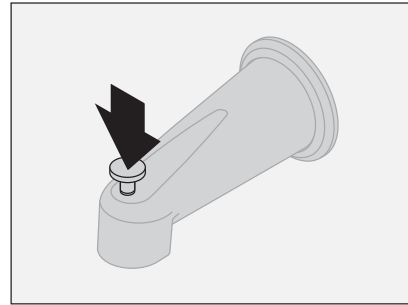
- 1) Install tub spout to stub out pipe. Turn clockwise to secure.



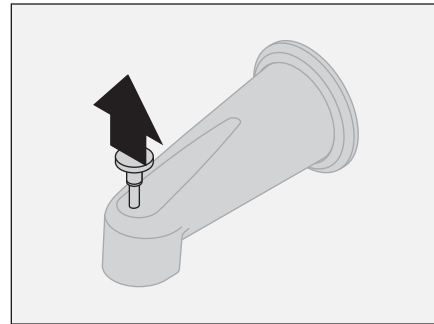
Diverter Control

Note: 552TSD only.

- 1) Diverter lever in down position for tub spout operation.



- 2) Diverter lever in up position for shower operation.



Care and Cleaning

- 1) Clean finished trim area with a soft cloth using mild soap and water or a non-abrasive cleaner and then quickly rinse with water.