

Product Instructions

viega

Three Speed Circulator Pumps

Applications

Viega offers two 3-speed, wet rotor, direct drive in-line circulator pumps designed for residential and light commercial applications. These circulators are quiet and maintenance free, making them ideal to use in primary and/or secondary loop piping.

Features

- Choice of two 3-speed circulators; low and high head
- Ease of wiring; plug-in quick connect terminals
- Use as primary loop and / or secondary loop circulator
- Ideal circulator replacement for Viega's Stations
- Maintenance free

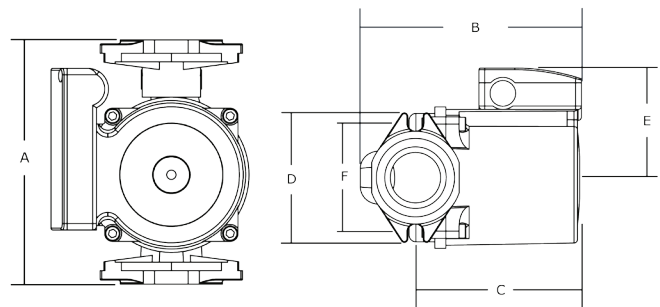
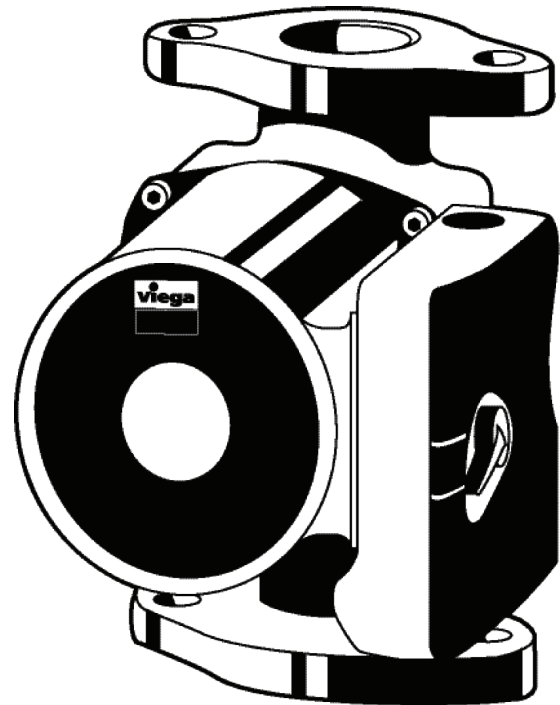
Specifications

Low Head

| | |
|----------------------------|----------------------|
| Flow range: | 0 - 17.5 US GPM |
| Head range: | 0 - 19 feet |
| Motor: | 2 pole, single phase |
| Voltage: | 115 volts, 60 Hz |
| Maximum fluid temperature: | 230°F |
| Minimum fluid temperature: | 36°F |
| Maximum working pressure: | 145 PSI |
| Maximum glycol mix: | 50% |

High Head

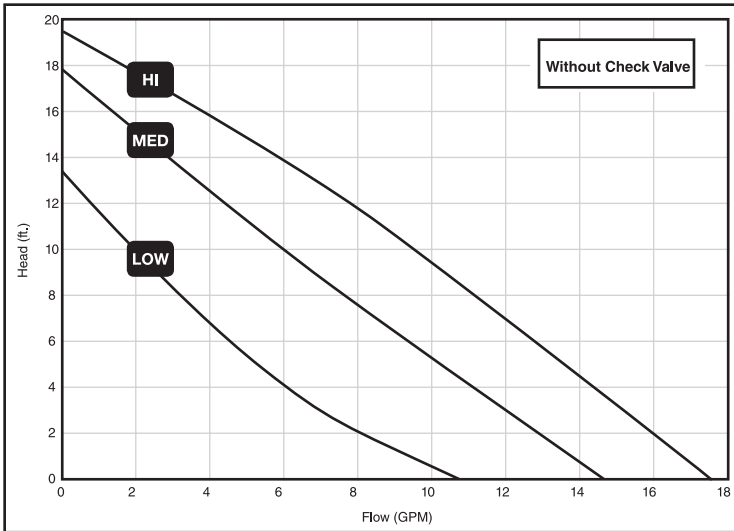
| | |
|----------------------------|----------------------|
| Flow range: | 0 - 34 US GPM |
| Head range: | 0 - 30 feet |
| Motor: | 2 pole, single phase |
| Voltage: | 115 volts, 60 Hz |
| Maximum fluid temperature: | 230°F |
| Minimum fluid temperature: | 36°F |
| Maximum working pressure: | 145 PSI |
| Maximum glycol mix: | 50% |



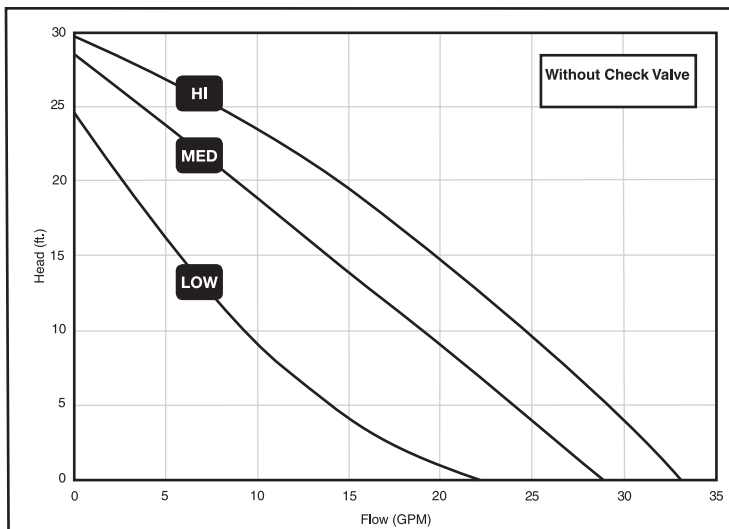
| Stock Code | A | B | C | D | E | F |
|------------|--------|--------|--------|---------|---------|---------|
| 12126 | 6-1/2" | 5-1/4" | 4" | 4-3/16" | 3" | 3-5/32" |
| 12127 | 6-1/2" | 6" | 4-7/8" | 3-7/8" | 3-7/16" | 3-5/32" |

Product Instructions

viega



| Stock Code | Speed | Amps | Watts | HP |
|------------|-------|------|-------|------|
| 12126 | HI | 0.75 | 87 | 1/25 |
| | MED | 0.66 | 80 | 1/25 |
| | LOW | 0.55 | 60 | 1/25 |



| Stock Code | Speed | Amps | Watts | HP |
|------------|-------|------|-------|-----|
| 12127 | HI | 1.8 | 197 | 1/6 |
| | MED | 1.5 | 179 | 1/6 |
| | LOW | 1.3 | 150 | 1/6 |

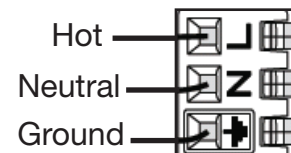
Installation Tips

- Ensure system is free from debris that could damage circulator pump
- Install circulator pump above lowest point of system to avoid where the sediment would naturally collect
- Fill and purge system prior to starting the circulator pump
- Do not get the inside of terminal box wet

Wiring

- Hot lead (typically black wire) to "L" terminal
- Neutral wire (typically white wire) to "N" terminal
- Ground wire (typically green or uninsulated wire) to ground terminal

Diagram



This document subject to updates. For the most current Viega technical literature please visit www.viega.us. Click Services -> Click Electronic Literature Downloads -> Select Product Line -> Select Desired Document

Para ver las instrucciones en español visite www.viega.us -> Services -> Electronic Literature Downloads -> French and Spanish Documents -> Documento Deseado

Pour obtenir des instructions en français visite www.viega.us -> Services -> Electronic Literature Downloads -> French and Spanish Documents -> Document Désiré

Viega LLC, 100 N. Broadway, 6th Floor • Wichita, KS 67202 • Ph: 800-976-9819 • Fax: 316-425-7618

PI-PR 520781 0314 (3 Speed Circulator Pump) (EN ES FR)