



# INSTALLATION INSTRUCTIONS

REPLACEMENT COMBUSTION CHAMBER KIT FOR

## Weil McLain 66/68 Series Oil Fired Boiler

Lynn Manufacturing, Inc  
15 Marion St., Lynn, MA 01905  
TEL:781-593-2500 FAX:781-596-0430

Item # **1060**

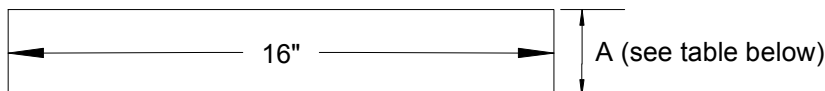
**WARNING** This product contains fiberglass wool and ceramic fiber materials. Airborne fibers from these materials have been listed by the state of California as a possible cause of cancer through inhalation. Apply special care when handling these materials. (Burner door refractory, rear refractory, blankets, rope seal, jacket insulation, etc.)  
**Please see MSDS for more health and safety information.**

**BEFORE STARTING:** **WARNING** Failure to perform the following can cause severe personal injury, death or substantial property damage!  
\* Read all instructions before starting.  
\* Follow all instructions in proper order.  
\* Turn off service switch on boiler and all other electrical disconnect switches.  
\* Close fuel supply valve(s) and disconnect fuel line from burner.

### REMOVAL:

1. Remove burner
2. Remove burner mounting plate and front refractory.
3. **DO NOT** remove the insulation attached to the inside of the burner mounting plate. If this insulation is badly deteriorated, you can replace it using leftover floor blanket. If you do not have enough leftover floor blanket you can replace it using Lynn Item #9451 Ceramic Fiber Blanket.
4. Remove the old floor blanket and scrape remaining blanket/cement residue from floor and sides.
5. Remove old rear refractory.

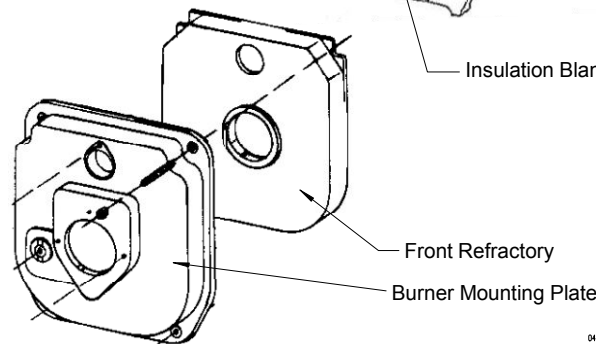
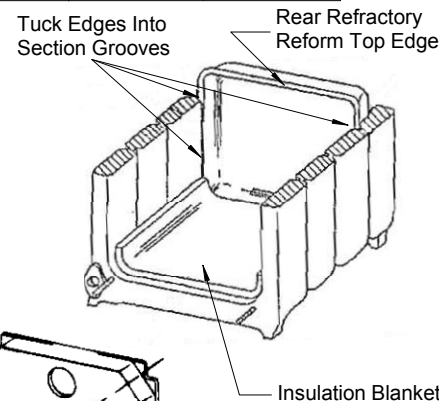
### INSTALLATION:



6. Cut new insulation blanket to size indicated in table below.

Boiler Size	266, 268 268V	366, 368 368V	466, 468 468V	566, 568 568V	666, 668 668V	766, 768 768V	866, 868	966, 968
Dim "A" (inches)	4-1/2"	4-1/2"	7-1/2"	10-1/2"	13-1/2"	16-1/2"	19-1/2"	22-1/2"

7. Remove rear refractory from plastic bag.
8. Set rear refractory against target wall and securely tuck sides into section grooves.
9. Re-form top edge of refractory.
10. Open plastic bottle spread Waterglass on floor of boiler.
11. Lay blanket on floor and center as shown.
12. Press front refractory into burner mounting plate.
13. Remove the paper backing from the rope adhesive by stretching the rope to break the paper and create a starting point. Then press the adhesive portion of the rope into the cleaned groove in the mounting plate. **Do not stretch the rope during installation.** Cut off any excess rope.
14. Reattach mounting plate to boiler. Observation hole must be up.
15. Reinstall oil burner
16. Fire burner for 15 minutes to allow chamber to cure.



**NOTE:** When first fired, some smoke and a slight odor will occur. This is part of the curing process.

15. Combustion tests **MUST** be performed **AFTER** the curing process is complete to insure proper performance.