



Kits – FS34NPT, FS12NPT, FS14C, FS3/8C, FS1NPT, FS125NPT

Leak Detection & Automatic Water Shut-off System Installation and Operating Manual



Congratulations on your purchase of a Floodstop electronic water leak detection and automatic water shut-off kit for water heaters. This product has been designed to give you years of reliable service and minimize home water damage by detecting water leaks and automatically shutting off the water supply.

To ensure proper installation and to maximize the performance of your Floodstop water leak detection system, please read this manual thoroughly.

PLEASE READ CAREFULLY BEFORE PROCEEDING: If a leak is detected, the Floodstop Valves will shut off the water going to the washing machine. This will stop the continuous flow of water from the water supply valve to the water heater. However, all or some of the water that is already in the water heater and hoses may still leak out onto the floor.

NOTE: This unit was shipped with an installation and operating manual that contains important information about its operation. If you are installing this unit for use by others, we recommend you leave this manual – or a copy of it – with the user.

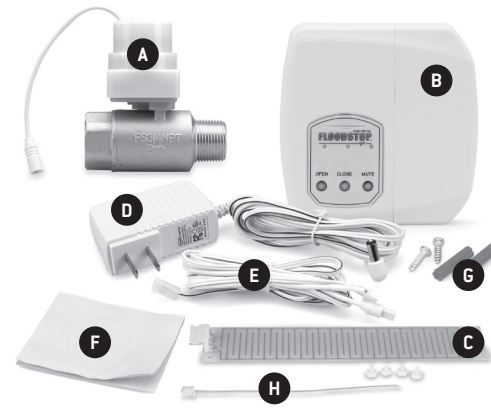
Water Heater Kit – Model FS3/4NPT

FEATURES:

- Control Panel has easy to read, lighted function buttons
- AC Power with battery backup – For continued operation in the event of power outages
- Solid brass, full port motorized ball valves for dependable, long lasting performance
- Valves automatically shut-off the water supply when a leak is detected
- Automatic monthly maintenance cycling of the valves to ensure reliable operation
- Valves can be opened and closed with the touch of a button
- Activates an audible alarm when a leak is detected
- Mute button to silence the audible alarm
- Can be reset and reused continuously with the touch of a button
- Can be tested at any time with the touch of a button
- Can accommodate additional water leak sensors
- 1 Year Limited Warranty

This Package Contains:

- A [1] Floodstop Motorized Brass Valves (3/4" FIP x 3/4" MIP)
- B [1] Control Panel
- C [1] Leak Sensor with Paper Sleeve
- D [1] AC Adaptor
- E [1] Wire Harness
- F [1] Hook & Loop Mounting Pad
- G [2] Mounting Screws with Anchors
- H [1] Pigtail



Check to make sure everything in the package matches the Contents Listing above. Read the instructions thoroughly before installing or operating the Floodstop system.

Warning: Do not put finger(s) inside Floodstop Valves. Risk of serious injury may occur. Caution: Do not grip plastic motor drive for leverage when tightening Floodstop Valves.

STOP: You may need to purchase additional fittings to install the Floodstop Valve to your existing water line. We recommend that you contact a licensed plumber.

WARNING:

- For use with water only.
- Do not install on gas line.

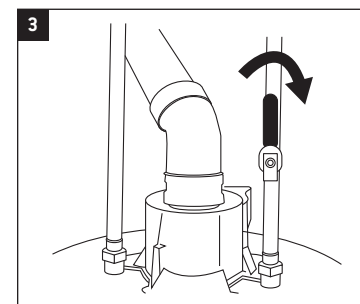
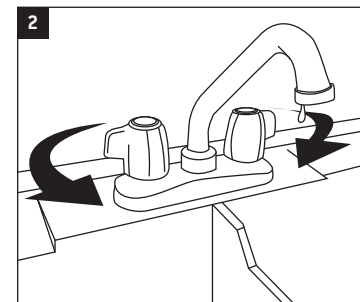
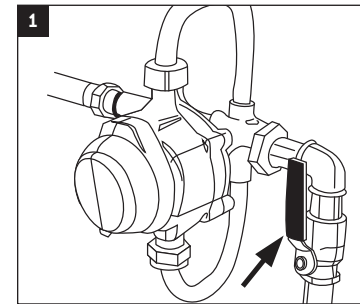
Installation

1. Shut off main water supply valve.

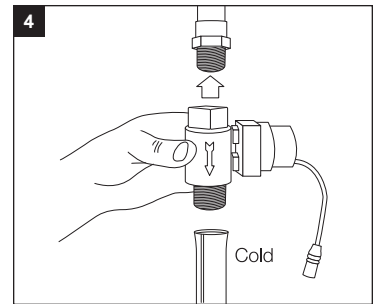
Step 4 instructs you to install the Floodstop Valve (3/4" FIP x 3/4" MIP) between the rigid water line coming off the manual cold water valve and the water heater. Most rigid lines will be copper. Evaluate your line and determine which size adapter fitting you will need (the most common one will be 3/4" solder x 3/4" MIP). Then determine what size union you will need between the Floodstop Valve and the water heater. Note that in some cases you can use a flexible or corrugated water heater connector in place of a union.

2. Open faucet nearest water heater to relieve water pressure.

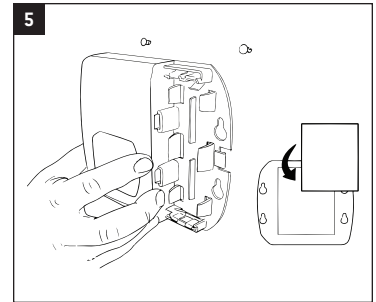
3. Shut off the manual cold water valve that supplies water to the water heater. Note that the top of the water heater will usually be marked "Cold" or "Inlet" at the point where the cold water line is connected.



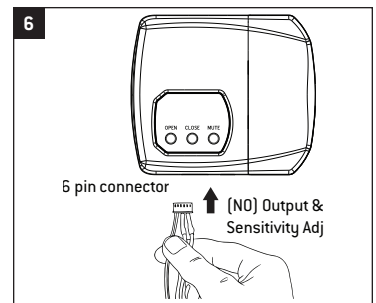
4. Position the Floodstop Valve so that the arrow on the side of the valve is pointing to the water heater. Install the Floodstop Valve between the rigid water line coming from the manual cold water valve and the water heater. **NOTE:** The Floodstop Valve should be installed within 2 feet of the water heater so that the Leak Sensor can lay flat on the floor.



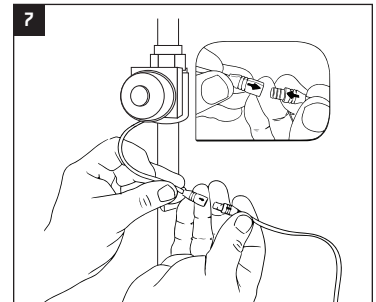
5. Mount the Floodstop Control Panel in an easily accessible location within 30 inches of the Floodstop Valves. You may mount the panel using the screws and anchors, or Hook & Loop Mounting Pad provided. When using the Hook & Loop Mounting Pad, make sure the adhesive is put on a clean, dry surface. **NOTE:** Depending on the location you pick, and the distance between the hot and cold shut-off valves, you may need to purchase two [2] Floodstop Control Panel to Valve Extension Wires, Model #FSACEXT9 [available where you purchased your Floodstop System].



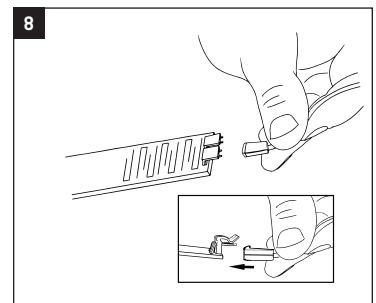
6. With the contacts of the wire harness connector facing you, plug the 6-pin connector end of the Wire Harness into the bottom of the Control Panel.



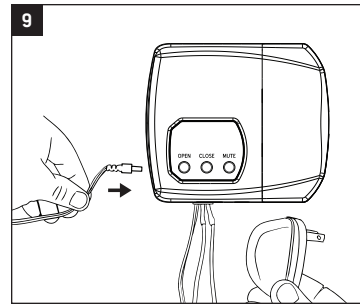
7. Take the 2 short wires coming from the Control Panel and connect each one to a Floodstop Valve (make sure the arrow on the side of the plugs line up with each other). It does not matter which wire gets connected to which Floodstop Valve. **NOTE:** The Leak Sensor comes with a Paper Sleeve. If the Leak Sensor is going to make contact with the washing machine, or any other piece of metal, make sure you leave the Paper Sleeve on. If the Leak Sensor makes contact with metal, it will signal the Floodstop Valve to shut off. The Paper Sleeve acts as a barrier between the Leak Sensor and the metal. When the Paper Sleeve becomes wet, it will signal the Floodstop Valve to shut off. If the Leak Sensor will not be contacting metal, you may remove the Paper Sleeve.



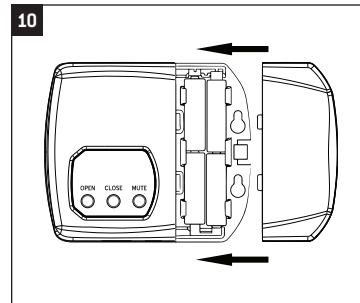
8. Connect plug on end of long flat wire coming from Control Panel to either set of prongs on the Leak Sensor, pushing until plug snaps in place. Then place Leak Sensor on the floor behind the washing machine. **NOTE:** Additional Leak Sensors can be connected together for added protection. For additional Leak Sensors, purchase Floodstop Water Leak Sensor, Model #FSAXS01 [available where you purchased your Floodstop System]. **CAUTION:** Do not place Leak Sensor or cord in a walkway, or other location that may cause someone to trip and fall.



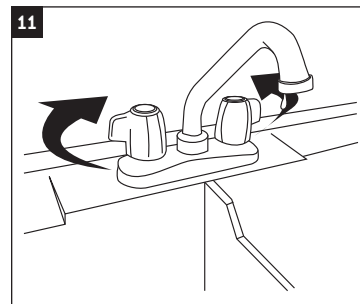
9. Plug the pin on the end of AC Adaptor cord into the bottom of the Control Panel, and then plug the AC Adaptor into a wall outlet. Green indicator lights will start to flash, showing you have power. Note that a red low battery indicator light will also flash about every 30 seconds, and the unit will beep once a minute until the batteries are installed. **NOTE:** If a nearby wall outlet is not available you will need to purchase a thin low voltage Floodstop “AC Adaptor Extension Wire” Model #FSAWAE9 (available where you purchased your Floodstop System). This wire extends the length of the AC Adaptor cord. **CAUTION:** Do not plug the AC Adaptor into an extension cord.



10. Floodstop has a battery backup system that allows the unit to continue working in the event that you have a power outage. To set up the backup system, open the front of the Control Panel and install 4 fresh AA alkaline batteries (batteries not included). The low battery indicator light will now stop flashing and the beep will stop. **CAUTION:** Replace batteries once a year or sooner as necessary. If batteries need to be changed sooner, a red low battery indicator light will flash, and a beep will sound.

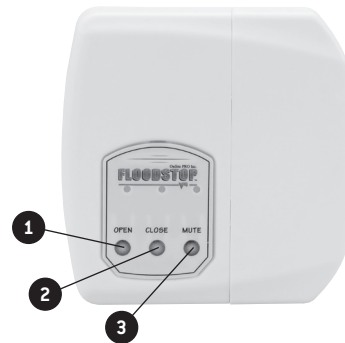


11. Shut off the previously opened faucet and turn on both valves that were shut off in steps 1 and 3. Check for leaks. Note that the green status light on the Control Panel will indicate whether the Floodstop Valve is open or closed.



How to Operate your Control Panel

1. Left button opens Floodstop Valve
2. Middle button closes Floodstop Valve
3. Right button mutes the audible alarm that sounds when a leak is detected



Testing Your Floodstop System

1. Push the Open button to make sure Floodstop Valve is open.
 - When the Floodstop Valve is opening or closing, you will hear the valve motor operating for a few seconds.
2. Saturate a rag with water and squeeze over Leak Sensor, or dip the Leak Sensor into a small bucket of water. Once the Leak Sensor is wet, it will signal the Floodstop Valve to close, then an audible alarm will sound and a red light will flash.
 - Push the Mute button to silence the alarm. Note that the red light will continue to flash. This means the Floodstop Valve is closed and will remain closed until you push the Open button.
 - Before the Floodstop Valve can be opened, the Leak Sensor needs to be dry. There is no need to unplug the unit when drying off the Leak Sensor.
 - The water test can be done with the paper sleeve still on the Leak Sensor. Note that the paper sleeve is reusable, but once it gets wet you will need to let it air dry flat before placing it back on the Leak Sensor.

Pressure Drop Data

The maximum pressure drop for this device is 2 psi at a flow rate of 5.5 gpm for NPS-3/4 and larger.

Helpful Hints

- If the Leak Sensor Paper Sleeve is misplaced or becomes unusable, a paper towel can be used in its place.
- The Leak Sensor has two sets of prongs so you can connect additional Leak Sensors. You can link them together, so they are positioned at different locations around your laundry area.
- Once a month, the Floodstop Valves will automatically close and open by themselves. The Control Panel is programmed to run this cycle to ensure that the valves continue to function properly in the event that they need to shut off the water.
- Hanging Wires may be tied together using twist ties (Not provided).

Troubleshooting

Problem	What to Check
Status light does not light	<ul style="list-style-type: none"> • Make sure there is power to the outlet. • Unplug AC Adaptor cord from Control Panel and plug back in. • If an AC Adaptor extension wire was used, unplug both ends and reconnect. • Make sure fresh batteries are in the Control Panel.
No water comes out of hot side of faucet	<ul style="list-style-type: none"> • Push Open button to make sure Floodstop Valve is open.
Floodstop Valve does not operate	<ul style="list-style-type: none"> • Make sure both sides of Sensor are dry. • Make sure there is power to the outlet. • Unplug AC Adaptor cord from Control Panel and plug back in. • Unplug 6-pin connector from Control Panel and reconnect. • Locate plug connection between Control Panel and the Floodstop Valve that does not operate. Unplug the connection and reconnect, making sure arrows on side of plugs line up. • If an AC Adaptor extension wire was used, unplug both ends and reconnect. • Make sure fresh batteries are in the Control Panel.
The alarm goes off for no apparent reason	<ul style="list-style-type: none"> • Leak Sensor is touching metal, or the concrete is sweating causing high humidity. Correct the problem by placing the Paper Sleeve on the Leak Sensor, or use a paper towel as a barrier.
Floodstop Valve does not operate	<ul style="list-style-type: none"> • Unplug 6-pin connector from Control Panel and reconnect. • Locate plug connection between Control Panel and the Floodstop Valve that does not operate. Unplug the connection and reconnect, making sure arrows on side of plugs line up. • Push the Close button and wait a few seconds. Then push the Open button.

Manual Operation of Floodstop Valve

1. Unplug the connection between the Control Panel and the Floodstop Valve.
2. Pull the plastic motor cover off the Floodstop Valve and slide it down the wire until it stops at the plug. Note that no tools are needed to remove the cover.
3. Use a marker and draw a line across the top of the plastic motor housing. This way once the motor is removed you will know how to reposition it for assembly.
4. Remove the 4 screws using a Phillips head screwdriver.
5. Place thumb and finger on plastic gear and rotate clockwise to open valve or counter clockwise to close it. Do not use tools to manually open or close valve.

1 Year Limited Warranty

IPS Corporation warrants the enclosed Floodstop product to be free from defects in materials or workmanship, under normal use and service, for a period of one (1) years from the date of purchase. If at any time during the warranty period the product is determined to be defective, IPS Corporation shall repair or replace it (at our option). The warranty is limited to defective parts as stated. All costs of removal and installation of the Floodstop product, including the replacement of warranty parts, are the responsibility of the purchaser. The manufacturer shall not be liable for incidental, consequential, or special damages arising at, or in connection with product use or performance, except as may otherwise be accorded by law. Some states do not allow the exclusion limitation of incidental or consequential damages, so the limitation may not apply to you. Any damage to this Floodstop product as a result of misuse, abuse, neglect, accident, improper installation, or any use violating the instruction manual furnished by us will void this warranty. This warranty does not cover damages or loss caused by defects, and the owner's use of the Floodstop product confirms the understanding that this product does not constitute an insurance policy, and is only a loss mitigation product used to reduce the risk of water damage.

To obtain warranty service, call our Customer Service Department at 1-800-888-8312, or e-mail us at tncustserve@ipscorp.com.

Floodstop Water Heater Kit

This equipment has been tested and found to comply with the limits for a Class B digital device, pursuant to part 15 of the FCC Rules. These limits are designed to provide reasonable protection against harmful interference in a residential installation. This equipment generates, uses and can radiate radio frequency energy, and if not installed and used in accordance with the instructions, may cause harmful interference to radio communications. However, there is no guarantee that interference will not occur in a particular installation. If this equipment does cause harmful interference to radio or television reception, which can be determined by turning the equipment off and on, the user is encouraged to try to correct the interference by one or more of the following measures:

- Connect the equipment into an outlet on a circuit different from that to which the receiver is connected.
- Consult the dealer or an experienced radio/TV technician for help.



Equipos – FS34NPT, FS12NPT, FS14C, FS3/8C, FS1NPT, FS125NPT

Sistema de detección de fugas y cierre automático del agua Manual de instalación y funcionamiento



Enhorabuena por la compra de un kit electrónico de detección de fugas de agua y cierre automático del agua Floodstop para calentadores de agua. Este producto se ha diseñado para ofrecer años de servicio fiable y minimizar los daños causados por el agua en el hogar mediante la detección de fugas y el cierre automático del suministro de agua.

Para garantizar una instalación correcta y maximizar el rendimiento del sistema de detección de fugas de agua Floodstop, lea detenidamente este manual.

LEA ATENTAMENTE ANTES DE CONTINUAR: Si se detecta una fuga, las válvulas Floodstop cortarán el agua que va a la lavadora. Esto detendrá la corriente continua de agua desde la válvula de suministro de agua hasta el calentador de agua. No obstante, toda o parte del agua que ya está en el calentador de agua y en las mangueras puede continuar goteando en el suelo.

NOTA: Esta unidad se entrega con un manual de instalación y funcionamiento que contiene información importante sobre su funcionamiento. Si va a instalar esta unidad para que la utilicen otras personas, le recomendamos que deje este manual, o una copia del mismo, al usuario.

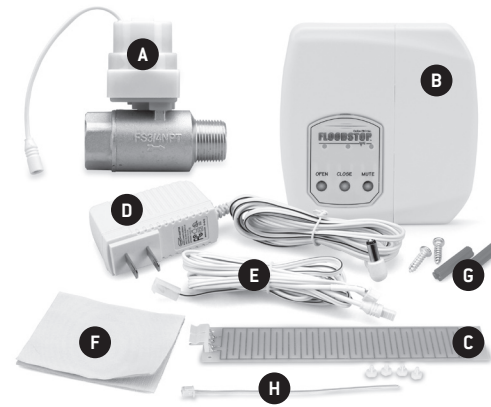
Kit de calentador de agua – Modelo FS3/4NPT

CARACTERÍSTICAS:

- El panel de control tiene botones de función iluminados y fáciles de leer
- Alimentación de CA con batería de reserva para un funcionamiento continuo en caso de interrupción de la alimentación
- Válvulas de bola motorizadas de paso total, de latón sólido, para un rendimiento fiable y duradero
- Las válvulas cortan automáticamente el suministro de agua cuando se detecta una fuga
- Ciclo de mantenimiento mensual automático de las válvulas para garantizar un funcionamiento fiable
- Las válvulas se pueden abrir y cerrar con solo tocar un botón
- Activa una alarma sonora cuando se detecta una fuga
- Botón de silencio para silenciar la alarma sonora
- Se puede restablecer y reutilizar de forma continua con solo pulsar un botón
- Se puede comprobar en cualquier momento con solo pulsar un botón
- Puede alojar sensores adicionales de fuga de agua
- Garantía limitada de 1 año

Este paquete contiene:

- A [1] Válvulas motorizadas Floodstop de latón (3/4" FIP x 3/4" MIP)
- B [1] Panel de control
- C [1] Sensor de fugas con funda de papel
- D [1] Adaptador de CA
- E [1] Mazo de cables
- F [1] Almohadilla de montaje de gancho y bucle
- G [2] Tornillos de montaje con anclajes
- H [1] Cable flexible



Compruebe que todo el contenido del paquete coincide con el listado de contenido anterior. Lea detenidamente las instrucciones antes de instalar o poner en funcionamiento el sistema Floodstop.

Advertencia: No ponga los dedos dentro de las válvulas Floodstop. Puede producirse un riesgo de lesiones graves. Precaución: No sujete el accionamiento del motor de plástico para hacer palanca cuando apriete las válvulas Floodstop.

ATENCIÓN: Es posible que tenga que adquirir racores adicionales para instalar la válvula Floodstop en su línea de agua existente. Le recomendamos que se ponga en contacto con un fontanero autorizado.

ADVERTENCIA:

- Solo para uso con agua.
- No lo instale en la línea de gas.

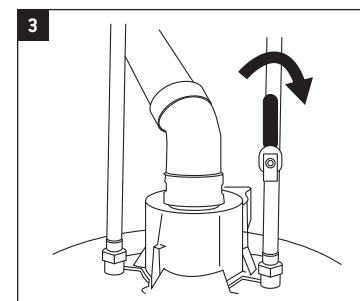
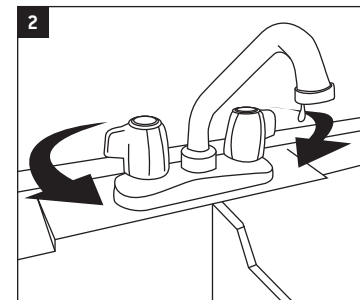
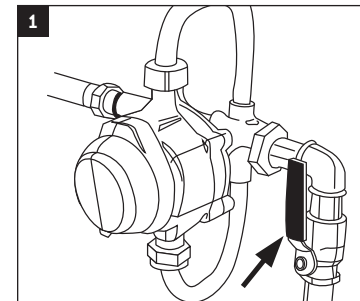
Instalación

1. Cierre la válvula principal de suministro de agua.

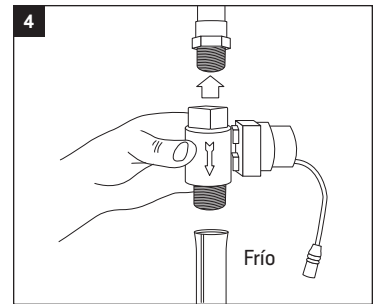
En el paso 4 se le indica que instale la válvula Floodstop (3/4" FIP x 3/4" MIP) entre la línea rígida de agua que sale de la válvula manual del agua fría y el calentador de agua. La mayoría de las líneas rígidas son de cobre. Examine su línea y determine qué tamaño de racor adaptador necesitará (el más común será 3/4" para soldar x 3/4" MIP). A continuación, determine qué tamaño de unión necesitará entre la válvula Floodstop y el calentador de agua. Tenga en cuenta que en algunos casos puede utilizar un conector de calentador de agua flexible o corrugado en lugar de una unión.

2. Abra el grifo más cercano al calentador de agua para aliviar la presión del agua.

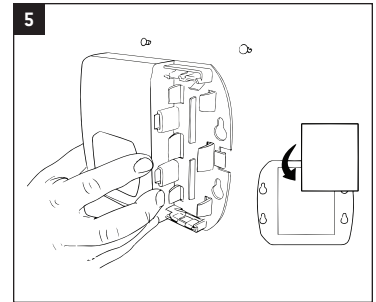
3. Cierre la válvula manual del agua fría que suministra agua al calentador de agua. Tenga en cuenta que en la parte superior del calentador de agua suele estar marcado "Cold" (Frío) o "Inlet" (Entrada) en el punto donde se conecta la línea de agua fría.



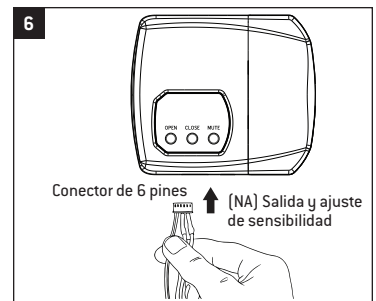
4. Coloque la válvula Floodstop de forma que la flecha del lateral de la válvula apunte al calentador de agua. Instale la válvula Floodstop entre la línea de agua rígida que sale de la válvula manual del agua fría y el calentador de agua. **NOTA:** La válvula Floodstop debe instalarse a menos de 60 cm (2 pies) del calentador de agua para que el sensor de fugas pueda colocarse en el suelo.



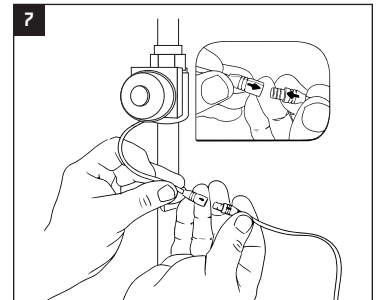
5. Monte el panel de control Floodstop en un lugar de fácil acceso a menos de 76 cm (30 pulg.) de las válvulas Floodstop. Puede montar el panel utilizando los tornillos y anclajes o la almohadilla de montaje de gancho y bucle que se suministra. Si utiliza la almohadilla de montaje de gancho y bucle, asegúrese de poner el adhesivo en una superficie limpia y seca. **NOTA:** Dependiendo de la ubicación que elija, y de la distancia entre las válvulas de cierre caliente y fría, es posible que tenga que comprar dos (2) cables de extensión del panel de control Floodstop a la válvula, modelo #FSACEXT9 (disponibles en el lugar donde compró su sistema Floodstop).



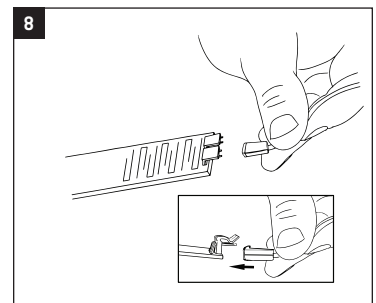
6. Con los contactos del conector del mazo de cables mirando hacia usted, enchufe el extremo del conector de 6 pines del mazo de cables en la parte inferior del panel de control.



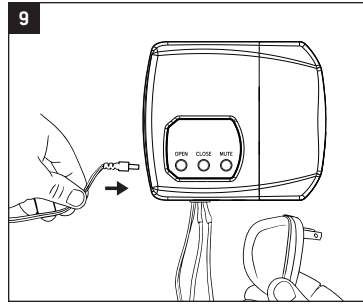
7. Tome los 2 cables cortos que salen del panel de control y conecte cada uno de ellos a una válvula Floodstop (asegúrese de que la flecha del lateral de los enchufes estén alineadas entre sí). No importa qué cable se conecte a cada válvula Floodstop. **NOTA:** El sensor de fugas viene con una funda de papel. Si el sensor de fugas va a entrar en contacto con la lavadora o con cualquier otra pieza de metal, asegúrese de dejar la funda de papel puesta. Si el sensor de fugas entra en contacto con metal, indicará a la válvula Floodstop que se cierre. La funda de papel actúa como una barrera entre el sensor de fugas y el metal. Cuando la funda de papel esté mojada, indicará a la válvula Floodstop que se cierre. Si el sensor de fugas no va a entrar en contacto con metal, puede retirar la funda de papel.



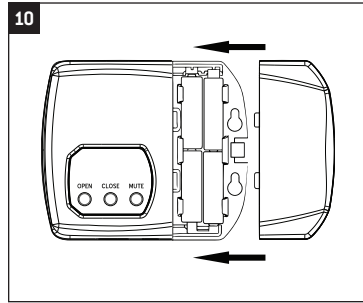
8. Conecte el enchufe del extremo del cable plano largo que sale del panel de control a cualquiera de los dos juegos de terminales del sensor de fugas, empujando hasta que el enchufe encaje en su sitio. A continuación, coloque el sensor de fugas en el suelo, detrás de la lavadora. **NOTA:** Se pueden conectar sensores de fugas adicionales para mayor protección. Para obtener sensores de fuga adicionales, adquiera el sensor de fuga de agua Floodstop, modelo #FSAXS01 (disponible en el lugar donde adquirió el sistema Floodstop). **PRECAUCIÓN:** No coloque el sensor de fugas ni el cable en un pasillo, ni en otro lugar donde alguien pueda tropezar y caer.



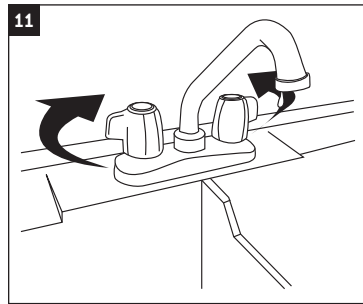
9. Enchufe la clavija del extremo del cable del adaptador de CA en la parte inferior del panel de control y, a continuación, conecte el adaptador de CA a una toma de corriente. Comenzarán a parpadear las luces indicadoras verdes, lo que indica que tiene energía. Tenga en cuenta que también parpadeará una luz roja indicadora de batería baja aproximadamente cada 30 segundos y la unidad emitirá un pitido una vez por minuto hasta que se instalen las pilas. **NOTA:** Si no dispone de una toma de corriente cercana, deberá adquirir un "cable de extensión del adaptador de CA" de bajo voltaje Floodstop, modelo #FSAWAE9 (disponible en el lugar donde adquirió su sistema Floodstop). Este cable extiende la longitud del cable del adaptador de CA. **PRECAUCIÓN:** No enchufe el adaptador de CA a un cable de extensión.



10. Floodstop cuenta con un sistema de batería de reserva que permite que la unidad siga funcionando en caso de que se produzca un corte del suministro eléctrico. Para configurar el sistema de reserva, abra la parte frontal del panel de control e instale 4 pilas alcalinas AA nuevas (pilas no incluidas). La luz indicadora de batería baja dejará de parpadear y el pitido se detendrá. **PRECAUCIÓN:** Cambie las pilas una vez al año o antes si es necesario. Si es necesario cambiar las pilas antes, parpadeará la luz roja indicadora de batería baja y sonará un pitido.

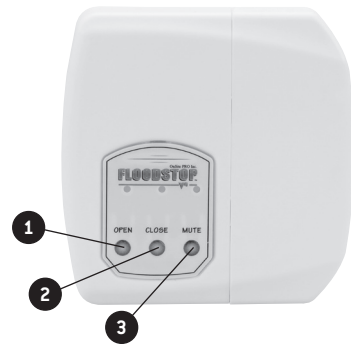


11. Cierre el grifo previamente abierto y abra las dos válvulas que se cerraron en los pasos 1 y 3. Compruebe si hay fugas. Tenga en cuenta que la luz verde de estado del panel de control indicará si la válvula Floodstop está abierta o cerrada.



Cómo utilizar el panel de control

1. El botón izquierdo abre la válvula Floodstop
2. El botón central cierra la válvula Floodstop
3. El botón derecho silencia la alarma sonora que suena cuando se detecta una fuga



Comprobación del sistema Floodstop

1. Pulse el botón Open (Abrir) para asegurarse de que la válvula Floodstop está abierta.
 - Cuando la válvula Floodstop se esté abriendo o cerrando, oírás el motor de la válvula funcionando durante unos segundos.
2. Empape un trapo con agua y escúrralo sobre el sensor de fugas; o bien, sumerja el sensor de fugas en un pequeño cubo de agua. Cuando el sensor de fugas esté mojado, indicará a la válvula Floodstop que se cierre; luego se emitirá una alarma sonora y parpadeará una luz roja.
 - Pulse el botón Mute (Silenciar) para silenciar la alarma. Observe que la luz roja seguirá parpadearo. Esto significa que la válvula Floodstop está cerrada y permanecerá cerrada hasta que se pulse el botón Open (Abrir).
 - Antes de poder abrir la válvula Floodstop, el sensor de fugas debe estar seco. No es necesario desenchufar la unidad para secar el sensor de fugas.
 - La prueba de agua puede realizarse con la funda de papel todavía puesta en el sensor de fugas. Tenga en cuenta que la funda de papel es reutilizable, pero una vez que se moje tendrá que dejar que se seque al aire libre antes de volver a colocarla en el sensor de fugas.

Datos de caída de presión

La caída de presión máxima para este dispositivo es de 2 psi a un caudal de 21 litros por minuto (5,5 gal EE. UU./min) para NPS-3/4 y mayor.

Consejos útiles

- Si la funda de papel del sensor de fugas está mal colocada o queda inservible, se puede utilizar una toallita de papel en su lugar.
- El sensor de fugas tiene dos juegos de terminales para poder conectar otros sensores de fugas. Puede vincularlos entre sí, de modo que se coloquen en diferentes lugares del lavadero.
- Una vez al mes, las válvulas Floodstop se cerrarán y abrirán automáticamente por sí solas. El panel de control está programado para ejecutar este ciclo con el fin de garantizar que las válvulas sigan funcionando correctamente en caso de que tengan que cortar el agua.
- Los cables que cuelgan pueden atarse con bridas (no incluidas).

Solución de problemas

Problema	Qué comprobar
La luz de estado no se enciende	<ul style="list-style-type: none"> • Asegúrese de que hay corriente en la toma de corriente. • Desenchufe el cable del adaptador de CA del panel de control y vuelva a enchufarlo. • Si se ha utilizado un cable de extensión del adaptador de CA, desenchufe ambos extremos y vuelva a conectarlo. • Asegúrese de que hay pilas nuevas en el panel de control.
No sale agua por el lado del agua caliente del grifo	<ul style="list-style-type: none"> • Pulse el botón Open (Abrir) para asegurarse de que la válvula Floodstop está abierta.
La válvula Floodstop no funciona	<ul style="list-style-type: none"> • Asegúrese de que ambos lados del sensor están secos. • Asegúrese de que hay corriente en la toma de corriente. • Desenchufe el cable del adaptador de CA del panel de control y vuelva a enchufarlo. • Desenchufe el conector de 6 pines del panel de control y vuelva a conectarlo. • Localice la conexión entre el panel de control y la válvula Floodstop que no funciona. Desenchufe la conexión y vuelva a conectarla, asegurándose de que las flechas de los lados de los enchufes estén alineadas. • Si se ha utilizado un cable de extensión del adaptador de CA, desenchufe ambos extremos y vuelva a conectarlo. • Asegúrese de que hay pilas nuevas en el panel de control.
La alarma se desactiva sin motivo aparente	<ul style="list-style-type: none"> • El sensor de fugas está en contacto con metal o el hormigón está resudando, lo que provoca una alta humedad. Corrija el problema colocando la funda de papel en el sensor de fugas o utilice una toalla de papel como barrera.

La válvula Floodstop no funciona	<ul style="list-style-type: none"> • Desenchufe el conector de 6 pines del panel de control y vuelva a conectarlo. • Localice la conexión entre el panel de control y la válvula Floodstop que no funciona. Desenchufe la conexión y vuelva a conectarla, asegurándose de que las flechas de los lados de los enchufes estén alineadas. • Pulse el botón Close (Cerrar) y espere unos segundos. A continuación, pulse el botón Open (Abrir).
----------------------------------	---

Funcionamiento manual de la válvula Floodstop

1. Desenchufe la conexión entre el panel de control y la válvula Floodstop.
2. Tire de la cubierta de plástico del motor de la válvula Floodstop y deslícela por el cable hasta que se detenga en el enchufe. Tenga en cuenta que no se necesitan herramientas para quitar la cubierta.
3. Con un rotulador, trace una línea a lo largo de la parte superior de la carcasa de plástico del motor. De esta forma, una vez retirado el motor, sabrá cómo volver a colocarlo para el montaje.
4. Retire los 4 tornillos con un destornillador Phillips.
5. Coloque el pulgar y el dedo en el engranaje de plástico y gire en el sentido de las agujas del reloj para abrir la válvula o en sentido contrario para cerrarla. No utilice herramientas para abrir o cerrar la válvula manualmente.

Garantía limitada de 1 año

IPS Corporation garantiza que el producto Floodstop adjunto no tiene defectos de materiales ni de fabricación, en condiciones normales de uso y servicio, durante un período de un (1) año a partir de la fecha de compra. Si en algún momento durante el período de garantía se determina que el producto es defectuoso, IPS Corporation lo reparará o lo sustituirá (a nuestra elección). La garantía se limita a las piezas defectuosas tal y como se indica. Todos los costes de desmontaje e instalación del producto Floodstop, incluida la sustitución de las piezas en garantía, son responsabilidad del comprador. El fabricante no será responsable de los daños incidentales, consecuentes o especiales que surjan o estén relacionados con el uso o el desempeño del producto, salvo que la ley disponga lo contrario. Algunos estados no permiten la limitación de la exclusión de los daños incidentales o consecuentes, por lo que la limitación puede no aplicarse en su caso. Cualquier daño producido a este producto Floodstop como resultado de un mal uso, abuso, negligencia, accidente, instalación incorrecta o cualquier uso que incumpla el manual de instrucciones proporcionado por nosotros, anulará esta garantía. Esta garantía no cubre los daños o pérdidas causados por defectos, y el uso del producto Floodstop por parte del propietario confirma el entendimiento de que este producto no constituye una póliza de seguro, y es solo un producto para reducir el riesgo de daños por agua.

Para obtener el servicio de garantía, llame a nuestro departamento de atención al cliente al 1-800-888-8312, o envíenos un correo electrónico a tncustserve@ipscorp.com.

Kit de calentador de agua Floodstop

Este equipo ha sido probado y cumple los límites establecidos para un dispositivo digital de Clase B, de acuerdo con el apartado 15 de la normativa de la FCC. Estos límites están diseñados para proporcionar una protección razonable contra las interferencias perjudiciales en una instalación residencial. Este equipo genera, utiliza y puede irradiar energía de radiofrecuencia y, si no se instala y utiliza de acuerdo con las instrucciones, puede causar interferencias perjudiciales en las comunicaciones por radio. Sin embargo, no se puede garantizar que no se produzcan interferencias en una instalación concreta. Si este equipo causa interferencias perjudiciales en la recepción de radio o televisión, lo que puede determinarse apagando y encendiendo el equipo, se recomienda al usuario que intente corregir las interferencias mediante una o varias de las siguientes medidas:

- Conecte el equipo a una toma de corriente de un circuito diferente al que está conectado el receptor.
- Consulte al distribuidor o a un técnico de radio/TV con experiencia para obtener ayuda.



Ensembles – FS34NPT, FS12NPT, FS14C, FS3/8C, FS1NPT, FS125NPT

Détection de fuites et système d'arrêt automatique de l'eau Manuel d'installation et d'utilisation



Félicitations pour votre achat d'un ensemble de détection de fuite d'eau et d'arrêt d'eau automatique pour chauffe-eau Floodstop. Ce produit a été conçu pour vous donner des années de service fiable et minimiser les dommages causés par l'eau dans votre domicile en détectant les fuites d'eau et en arrêtant automatiquement l'approvisionnement en eau, le cas échéant.

Pour assurer une installation adéquate et maximiser le rendement de votre système de détection de fuite d'eau Floodstop, veuillez lire ce manuel avec attention.

VEUILLEZ LIRE ATTENTIVEMENT CE QUI SUIT AVANT DE PROCÉDER : En cas de détection d'une fuite, les soupapes Floodstop coupent l'eau qui passe dans la machine à laver. Cela arrêtera le débit continu d'eau de la vanne d'alimentation vers le chauffe-eau. Toutefois, il se peut que l'eau qui se trouve déjà dans le chauffe-eau et dans les tuyaux se déverse quand même sur le plancher.

REMARQUE : Cette unité a été expédiée avec un manuel d'installation et d'utilisation qui contient des renseignements importants relatifs à son utilisation. Si vous installez cette unité pour qu'elle soit utilisée par d'autres personnes, nous vous recommandons de laisser ce manuel — ou une copie de celui-ci — à son utilisateur.

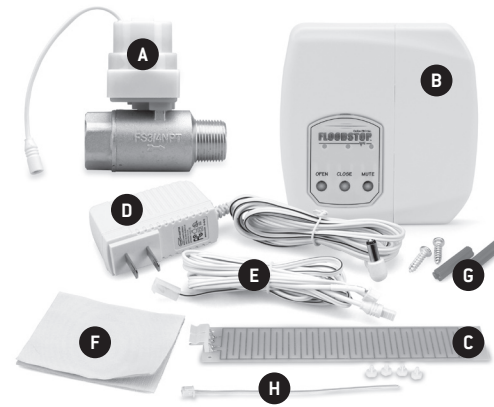
Ensemble pour chauffe-eau –

CARACTÉRISTIQUES :

- Le panneau de commande est doté de boutons de fonctions faciles à lire et éclairés
- Alimentation c.a. avec batterie de secours — pour un fonctionnement continu en cas de panne de courant
- Soupapes motorisées à boisseau sphérique en laiton à passage intégral pour des performances durables sur lesquelles vous pouvez toujours compter
- Les soupapes arrêtent automatiquement l'alimentation en eau lorsqu'une fuite est détectée
- Cycle d'entretien mensuel automatique des soupapes pour assurer un fonctionnement fiable
- Il suffit d'appuyer sur un bouton pour ouvrir et fermer les soupapes
- Déclenche une alarme sonore lorsqu'une fuite est détectée
- Bouton de sourdine permettant de mettre l'alarme sonore en sourdine
- Peuvent être réinitialisées et réutilisées continuellement seulement en appuyant sur un bouton
- Peuvent être testées en tout temps en appuyant sur un bouton
- Peuvent prendre en charge des capteurs de fuite additionnels
- Garantie limitée d'un an

Cette trousse contient:

- A [1] robinet motorisé en laiton Floodstop (tuyau en fonte à embout femelle de 3/4 po x embout mâle de 3/4 po)
- B [1] Panneau de commande
- C [1] Capteur de fuite avec manchon de papier
- D [1] Adaptateur c.a.
- E [1] Faisceau de câblage
- F [1] Coussinet de fixation autoagrippant
- G [2] Vis de montage avec ancrages
- H [1] Câble flexible



Assurez-vous que tout ce qui se trouve dans l'emballage correspond à la liste ci-dessus. Lisez attentivement les instructions avant d'installer ou d'utiliser le système Floodstop.

Avertissement : N'insérez jamais un doigt à l'intérieur des soupapes Floodstop. Cela risque de causer des blessures graves. Mise en garde : Évitez de tenir le moteur d'entraînement pour obtenir un effet de levier lorsque vous serrez les soupapes Floodstop.

AVERTISSEMENT :

- À utiliser avec de l'eau seulement.
- N'installez pas sur une conduite de gaz.

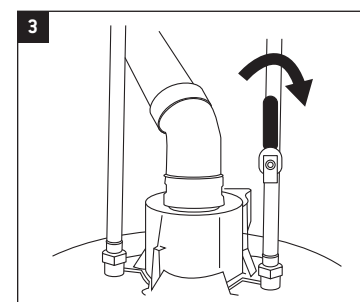
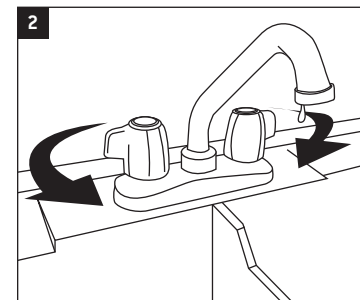
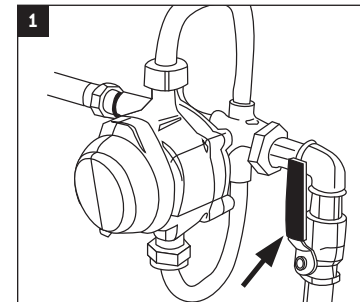
Installation

1. Fermez le robinet d'alimentation en eau principal.

L'étape 4 vous demande d'installer la soupape Floodstop (tuyau en fonte à embout femelle de 3/4 po x embout mâle de 3/4 po) entre la conduite d'eau rigide sortant de la vanne manuelle d'eau froide et le chauffe-eau. La plupart des conduites rigides sont en cuivre. Examinez votre conduite et déterminez la taille de l'adaptateur de raccord dont vous aurez besoin (le format le plus courant aura une brasure de 3/4 po brasure x un embout de tuyau mâle de 3/4 po). Déterminez ensuite la dimension du raccord dont vous aurez besoin entre la soupape Floodstop et le chauffe-eau. Veuillez noter que, dans certains cas, vous pouvez utiliser un connecteur flexible ou ondulé pour chauffe-eau au lieu d'un raccord.

2. Ouvrez le robinet de puisage le plus près du chauffe-eau pour réduire la pression d'eau.

3. Fermez la vanne d'eau froide manuelle qui alimente le chauffe-eau en eau. Notez que la partie supérieure du chauffe-eau affiche habituellement les mots « froid » ou « orifice d'entrée » à l'endroit où la conduite d'eau froide est raccordée.



4. Placez la soupape Floodstop de manière à ce que la flèche sur le côté de cette dernière pointe vers le chauffe-eau. Installez la soupape Floodstop entre la conduite d'eau rigide, qui provient du robinet manuel d'eau froide et le chauffe-eau. **REMARQUE :** La soupape Floodstop doit être installée à moins de 0,6 m [2 pi] du chauffe-eau de manière à ce que le capteur de fuite puisse être posé à plat sur le plancher.

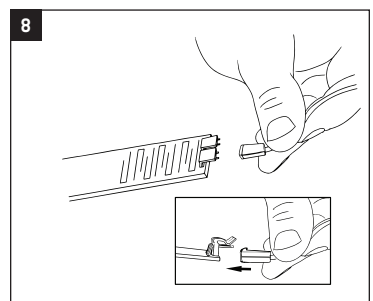
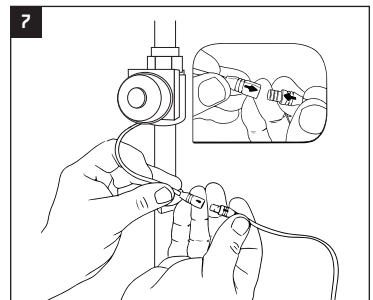
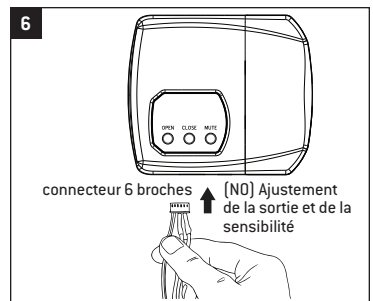
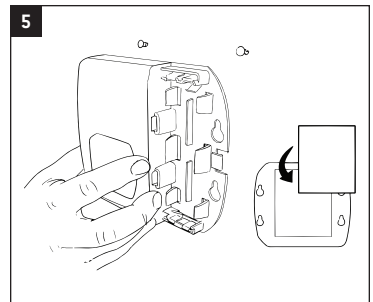
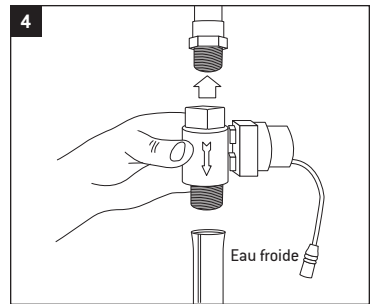
5. Installez le panneau de commande Floodstop à un endroit facilement accessible à moins de 76 cm [30 po] des soupapes Floodstop. Vous pouvez fixer le panneau à l'aide des vis et des ancrages ou du coussinet de fixation autoagrippant, assurez-vous que l'adhésif est placé sur une surface propre et sèche. **REMARQUE :** En fonction de l'emplacement que vous avez choisi et de la distance entre les robinets d'arrêt d'eau chaude et d'eau froide, vous pourriez avoir à acheter deux [2] rallonges du panneau de commande aux soupapes Floodstop, modèle #FSACEXT9 [offerts là où vous avez acheté votre système Floodstop].

6. Avec les contacts du connecteur du faisceau de câblage orientés vers vous, branchez l'extrémité du connecteur à 6 broches du faisceau de câblage dans la partie inférieure du panneau de commande.

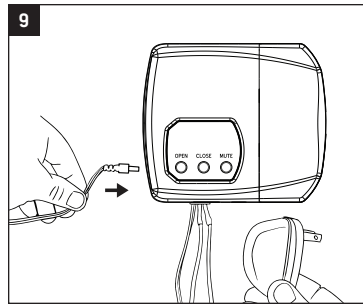
7. Prenez les deux câbles courts du panneau de commande et raccordez-les à une soupape Floodstop (assurez-vous que les flèches sur chaque côté des prises sont bien alignées). Vous pouvez connecter n'importe quel câble à n'importe quelle soupape Floodstop. **REMARQUE :** Le capteur de fuite est offert avec un manchon en papier. Si le capteur de fuite entre en contact avec la machine à laver ou toute autre pièce de métal, assurez-vous de laisser le manchon en papier en place. Si le capteur de fuite entre en contact avec le métal, il envoie un signal d'arrêt à la soupape Floodstop. Le manchon de papier sert de barrière entre le capteur de fuite et le métal. Lorsque le manchon de papier est mouillé, la soupape Floodstop s'arrête. Si le capteur de fuite n'entre pas en contact avec le métal, vous pouvez le retirer.

8. Branchez la prise à l'extrémité du long câble plat provenant du panneau de commande à l'une ou l'autre des broches du capteur de fuite, en poussant jusqu'à ce que la prise s'enclenche et soit bien en place. Placez ensuite le capteur de fuite sur le plancher derrière la machine à laver. **REMARQUE :** Des capteurs de fuite supplémentaires peuvent être connectés ensemble pour une protection accrue. Pour obtenir des capteurs de fuite supplémentaires, achetez le capteur de fuite d'eau Floodstop, modèle #FSAXS01 [offert là où vous avez acheté votre système Floodstop].

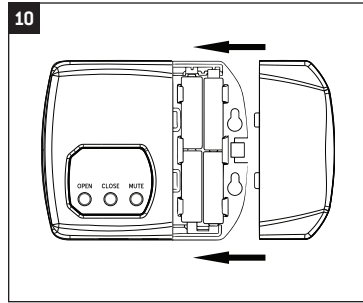
MISE EN GARDE : Ne placez pas le capteur de fuite ou le cordon dans une allée ou à tout autre endroit où il y aurait des risques de trébuchement ou de chute.



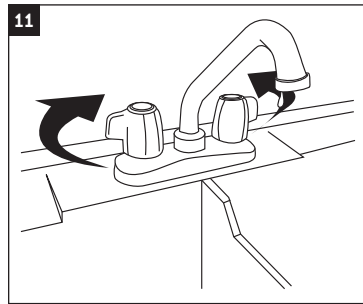
- Branchez la broche à l'extrémité du cordon de l'adaptateur c.a. dans le bas du panneau de commande, puis branchez-la dans une prise murale. Les voyants verts s'allumeront et clignoteront pour indiquer que le système est alimenté. Notez qu'un voyant rouge de pile faible clignotera également toutes les 30 secondes, et que l'appareil émettra un signal sonore chaque minute jusqu'à ce que les batteries soient installées. **REMARQUE** : S'il n'y a pas de prise murale à proximité, vous aurez à acheter une « rallonge pour adaptateur c.a. » mince à basse tension Floodstop, modèle #FSAWAE9 (offert là où vous avez acheté votre système Floodstop). Ce câble prolonge la longueur du cordon de l'adaptateur c.a. **MISE EN GARDE** : Ne branchez pas l'adaptateur c.a. sur une rallonge électrique.



- Floodstop est doté d'un système de batterie de secours qui permet à l'unité de continuer à fonctionner en cas de panne de courant. Pour installer le système de secours, ouvrez l'avant du panneau de commande et installez 4 piles alcalines AA neuves (non fournies). Le témoin de pile faible cessera de clignoter et le signal sonore s'arrêtera. **MISE EN GARDE** : Veillez à remplacer les piles une fois par année, ou plus tôt, le cas échéant. Si les piles doivent être remplacées plus tôt, un voyant rouge indiquant que la pile est faible clignotera et un signal sonore se fera entendre.

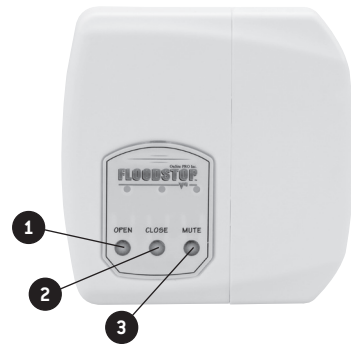


- Fermez le robinet de puisage déjà ouvert et activez les deux vannes qui ont été fermées aux étapes 1 et 3. Vérifiez s'il y a des fuites. Notez que le voyant vert du panneau de commande indique si la soupape Floodstop est ouverte ou fermée.



Comment utiliser le panneau de configuration

- Le bouton gauche la soupape Floodstop
- Le bouton du milieu ferme la soupape Floodstop
- Le bouton droit active l'alarme sonore qui retentit lorsqu'une fuite est détectée



Essai de votre système Floodstop

- Appuyez sur le bouton Ouvrir pour vous assurer que la soupape Floodstop est ouverte.
 - Lorsque la soupape Floodstop s'ouvre ou se ferme, vous entendrez le moteur fonctionner pendant quelques secondes.
- Imbibez un chiffon d'eau et pressez-le au-dessus du capteur de fuite ou faites-le tremper ce dernier dans un petit seau d'eau. Lorsque le capteur de fuite est mouillé, il envoie un signal à la soupape Floodstop pour qu'elle se ferme, puis une alarme sonore se fait entendre et une lumière rouge clignote.
 - Appuyez sur le bouton Sourdine pour mettre l'alarme en sourdine. Notez que le voyant rouge continuera de clignoter. Cela signifie que la soupape Floodstop est fermée et restera fermée jusqu'à ce que vous appuyez sur le bouton Ouverture.
 - Le capteur de fuite doit être sec pour que vous puissiez ouvrir la soupape Floodstop. Il n'est pas nécessaire de débrancher l'appareil lorsque vous faites sécher le capteur de fuite.
 - L'essai d'eau peut être effectué en gardant le manchon en papier sur le capteur de fuite. Notez que le manchon en papier est réutilisable, mais qu'une fois mouillé, vous devrez le laisser sécher à l'air à plat avant de le remettre sur le capteur de fuite.

Données de chute de pression

La perte de charge maximale pour cet appareil est de 2 lb/po2 à un débit de 5,5 gal/min pour les NPS-3/4 et les diamètres plus grands.

Conseils utiles

- Si le manchon de papier du capteur de fuites est égaré ou inutilisable, un essuie-tout peut être utilisé à sa place.
- Le capteur de fuite est doté de deux ensembles de broches pour vous permettre de connecter des capteurs de fuite supplémentaires. Vous pouvez les relier pour qu'ils soient placés à différents endroits autour de votre espace de buanderie.
- Une fois par mois, les soupapes Floodstop se fermeront automatiquement et s'ouvriront ensuite par elles-mêmes. Le panneau de commande est programmé pour exécuter ce cycle afin de s'assurer que les soupapes fonctionneront de manière appropriée quand il faudra couper l'alimentation en eau.
- Les câbles de suspension peuvent être attachés ensemble à l'aide d'attaches torsadées (non fournies).

Dépannage

Problème	Ce qu'il faut vérifier
Le voyant d'état ne s'allume pas	<ul style="list-style-type: none"> Assurez-vous que la prise est sous tension. Débranchez le cordon de l'adaptateur c.a. du panneau de commande et rebranchez-le. Si une rallonge d'adaptateur c.a. a été utilisée, débranchez les deux extrémités et rebranchez-les. Assurez-vous que les piles neuves se trouvent dans le panneau de commande.
Aucune eau ne sort du côté chaud du robinet	<ul style="list-style-type: none"> Appuyez sur le bouton OUVRIRE pour vous assurer que les soupapes Floodstop sont ouvertes.
La soupape Floodstop ne fonctionne pas	<ul style="list-style-type: none"> Assurez-vous que les deux côtés du capteur de fuite sont secs. Assurez-vous que la prise est sous tension. Débranchez le cordon de l'adaptateur c.a. du panneau de commande et rebranchez-le. Débranchez le connecteur à 6 broches du panneau de commande et rebranchez-le. Repérez le raccord entre le panneau de commande et chacune des soupapes Floodstop. Débranchez les deux raccords et rebranchez-les en vous assurant que les flèches sur le côté des fiches sont alignées. Si une rallonge d'adaptateur c.a. a été utilisée, débranchez les deux extrémités et rebranchez-les. Assurez-vous que les piles neuves se trouvent dans le panneau de commande.
L'alarme se déclenche sans raison apparente	<ul style="list-style-type: none"> Le capteur de fuite touche le métal ou le béton est en sudation, causant un taux d'humidité élevé. Corrigez le problème en plaçant le manchon de papier sur le capteur de fuite, ou utilisez un essuie-tout comme barrière.

La soupape Floodstop ne fonctionne pas	<ul style="list-style-type: none"> Débranchez le connecteur à 6 broches du panneau de commande et rebranchez-le. Repérez le raccord entre le panneau de commande et chacune des soupapes Floodstop. Débranchez les deux raccords et rebranchez-les en vous assurant que les flèches sur le côté des fiches sont alignées. Appuyez sur le bouton Fermer et attendez quelques secondes. Appuyez ensuite sur le bouton Ouvrir.
--	--

Utilisation manuelle de la soupape Floodstop

- Débranchez le raccord entre le panneau de commande et la soupape Floodstop.
- Retirez le couvercle de moteur en plastique de la soupape Floodstop et faites-le glisser vers le bas jusqu'à ce qu'il s'arrête au niveau de la prise. Veuillez noter qu'aucun outil n'est nécessaire pour retirer le couvercle.
- À l'aide d'un marqueur, tracez une ligne sur le dessus du boîtier en plastique du moteur. De cette façon, une fois le moteur retiré, vous saurez comment le repositionner pour l'assembler.
- Retirez les 4 vis à l'aide d'un tournevis cruciforme.
- Placez le pouce et le doigt sur l'engrenage en plastique et tournez dans le sens horaire pour ouvrir la soupape ou dans le sens antihoraire pour la fermer. N'utilisez pas d'outils pour ouvrir ou fermer manuellement la soupape.

Garantie limitée d'un an

IPS Corporation garantit que le produit Floodstop ci-joint est exempt de tout vice de matériau ou de fabrication, dans des conditions d'utilisation normales, pour une période de un (1) an à compter de la date d'achat. Si, à tout moment pendant la période de garantie, le produit est jugé défectueux, IPS Corporation le réparera ou le remplacera (à notre discrétion). La garantie se limite aux pièces défectueuses, comme indiqué. Tous les frais de retrait et d'installation du produit Floodstop, y compris le remplacement des pièces couvertes par la garantie, sont à la charge de l'acheteur. Le fabricant ne peut être tenu responsable des dommages accessoires, indirects ou spéciaux découlant de l'utilisation ou des performances du produit ou s'y rapportant, sauf dans le cas où il y est tenu par la loi applicable. Certains États ne permettent pas la limitation, l'exclusion, ni la restriction des dommages indirects ou accessoires, il se peut donc que la limitation ne s'applique pas à vous. Tout dommage causé à ce produit Floodstop découlant d'une mauvaise utilisation, d'une utilisation abusive, de la négligence, d'un accident, d'une mauvaise installation ou de toute utilisation ne respectant pas le manuel d'instruction fourni ne sera pas couvert par cette garantie. Cette garantie ne couvre pas les dommages ou les pertes causés par des défaillances, et l'utilisation du propriétaire du produit Floodstop confirme sa compréhension que ce produit ne remplace pas une police d'assurance et que sa fonction se limite à l'atténuation des pertes potentielles causées par les fuites d'eau.

Pour obtenir un service de garantie, communiquez avec notre service à la clientèle au 1-800-888-8312, ou envoyez un courriel à tncustserve@ipscorp.com.

Ensemble de chauffe-eau Floodstop

Cet équipement a été testé et jugé conforme aux limites imposées aux appareils numériques de classe B, conformément à la partie 15 des réglementations de la FCC. Ces limites ont été établies afin de garantir une protection raisonnable contre toute interférence nuisible dans une installation résidentielle. Cet équipement génère, utilise et peut émettre de l'énergie de fréquences radio. Conséquentement, s'il n'est pas installé et utilisé conformément aux instructions, il peut causer des interférences nuisibles aux communications radio. Toutefois, il n'y a aucune garantie que les interférences ne se produiront pas lors d'une installation particulière. Si cet équipement cause des interférences nuisibles à la réception des ondes radio ou de télévision, ce qui peut être déterminé en éteignant l'équipement et en le rallumant. L'utilisateur est encouragé à tenter de corriger l'interférence en suivant une ou plusieurs des mesures suivantes :

- Branchez l'équipement dans une prise de courant sur un circuit différent de celui sur lequel est branché votre récepteur.
- Consultez le détaillant ou un technicien en radio ou en télévision expérimenté pour obtenir de l'aide.