

Alcove Style Installation - Builder Series

Tartane CTG-S-470

Tartane CTG-IF-470

Tartane CTCSG-IF-470

Oasis®



Tartane CTG-S-470 (shown)
Tartane CTG-IF-470



Tartane CTCSG-IF-470 (shown)

These guidelines are recommended for the proper installation of Oasis products. A careful review of these procedures (and any referenced publications) before starting is important in avoiding an improper assembly and/or installation.

NOTE: All illustrations in this publication are typical, and may appear different than the actual product. Optional items may also be shown that were not ordered on the product being installed.

ON WHIRLPOOL EQUIPPED MODELS, A SEPARATE SET OF INSTRUCTIONS IS PACKED WITH THE UNIT FOR THE WHIRLPOOL SYSTEM. READ THEM BEFORE INSTALLING UNIT!

Special Notes to Installer

◆ LIFT UNIT ONLY BY THE OUTSIDE SHELL. DO NOT HANDLE BY SYSTEM PIPING OR COMPONENTS!

◆ It is the sole responsibility of the installer to determine the requirements necessary for compliance with all installation code requirements!

◆ All paperwork packaged with the product should be saved and presented to the home owner upon completion of the installation!

◆ All published product dimensions are for reference only. Any critical dimensions required for installation should be taken directly from the product being installed!

◆ Any independent modifications made to the product (or any options / accessories supplied) beyond those required for normal installation can void all warranties! (Refer to warranties for further information)

INSPECTION GUIDELINES

Carefully check the unit upon receipt. Notify your supplier immediately if any questions or problems are encountered during this process.

DO NOT INSTALL PRODUCT WITHOUT FIRST ADDRESSING QUESTIONS WHICH ARISE DURING THE INSPECTION!

Basic Module Check

- Check unit drain position for match to bathroom drain location.
- Check unit for surface damage.
- Check unit color for coordination to other bathroom fixtures.

Whirlpool System Check

Assembly and operational instructions are included in a separate publication for all whirlpool and air equipped models.

- Check for proper trim color and system options.

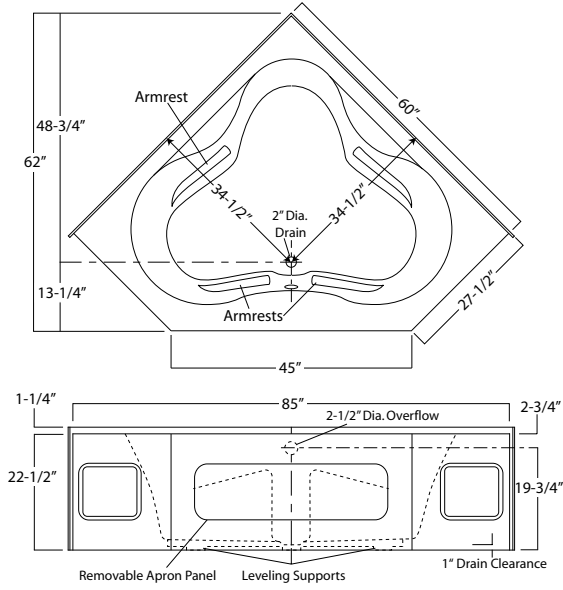
INSTALLATION SITE FRAMING

Due to individual site variations, exact guidelines for every situation cannot be supplied. The recommended framing and dimensional requirements shown are for a typical application and may vary depending on site requirements.

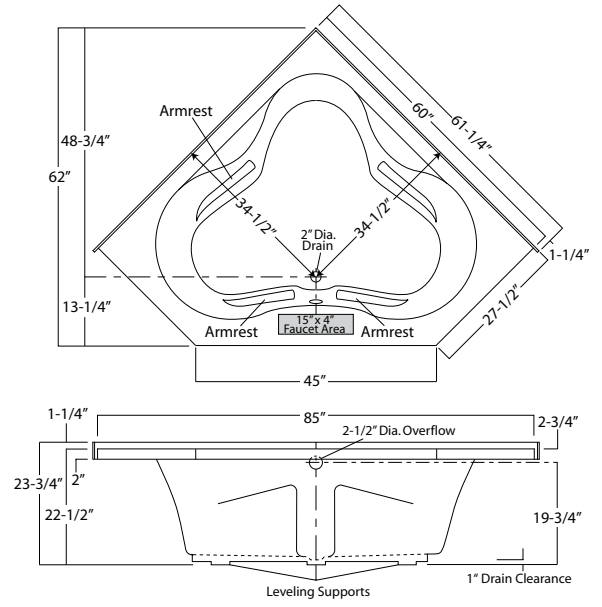
The dimensions shown are from the surfaces where the unit will be attached. This surface can be bare studding, drywall, or other suitable underlayment material. It is important that the floor and all framing be

Illustration 1a - Unit Dimension & Alcove Framing Guidelines (dimensional tolerance +0 / -1/8")

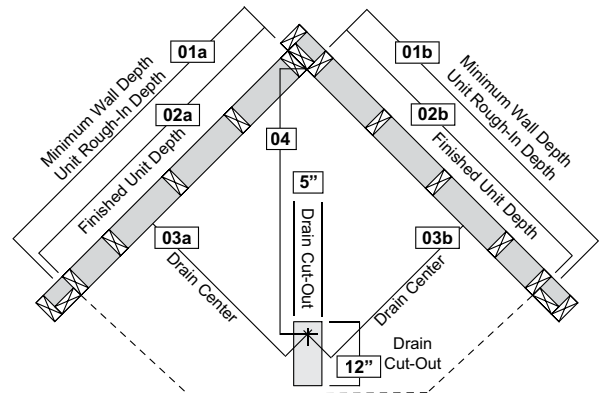
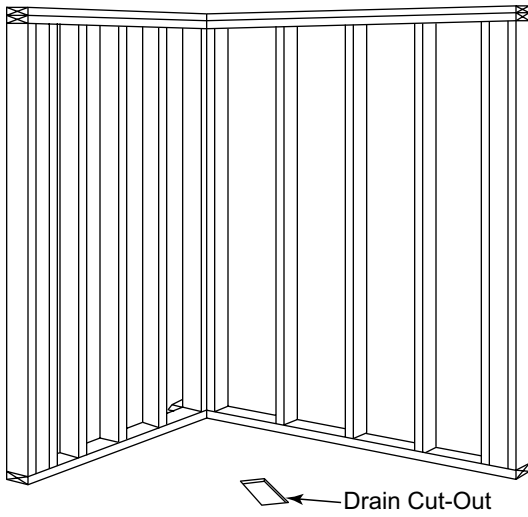
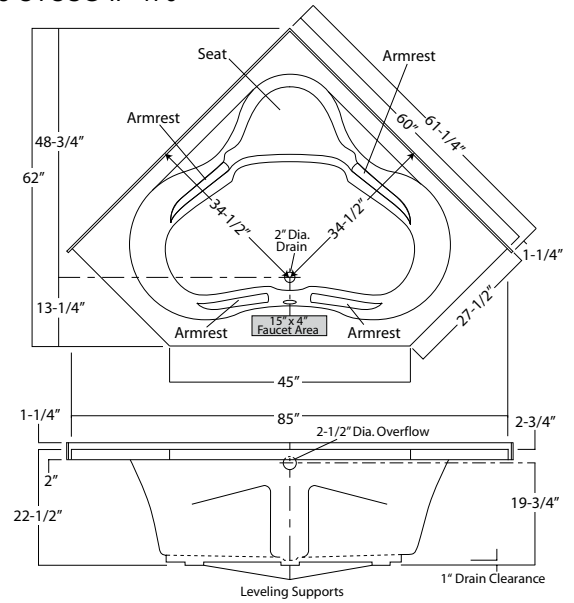
Tartane CTG-S-470



Tartane CTG-IF-470

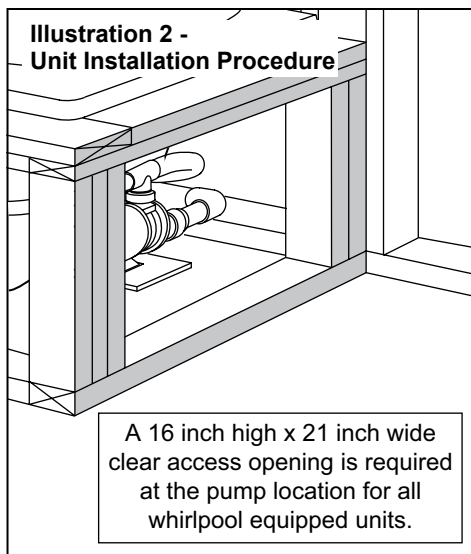


Tartane CTCSG-IF-470



Model	01a	01b	02a	02b	03a	03b	04
CTG-S-470*	61-1/4"	61-1/4"	60"	60"	34-1/2"	34-1/2"	48-3/4"
CTG-IF-470	61-1/4"	61-1/4"	60"	60"	34-1/2"	34-1/2"	48-3/4"
CTCSG-IF-470	61-1/4"	61-1/4"	60"	60"	34-1/2"	34-1/2"	48-3/4"

*Standard 'S' model includes a removable apron access panel



square and level. Framing should be done using accepted materials and construction techniques in accordance with all applicable codes.

NOTE: A pump access MUST BE PROVIDED for all whirlpool equipped units that do not include a removable apron access panel (illust. 2). Additional access may be required to comply with local codes.

NOTE: Preconstructed walls may require modifications or additional framing members to allow for pipes or fittings which protrude from the unit on whirlpool equipped models.

Installation Procedure

NOTE: 'Wet-set' is not required to support the floor under an Oasis product due to the encapsulated Balsa wood construction.

With the unit positioned in the alcove, several details must be checked prior to securing the unit in place (illust. 3 & 4).

- Confirm the apron and/or the pre-leveled unit base blocks are resting flush on the floor
- Confirm drain position.
- Confirm the unit is level along each side and across each end.
- Confirm the unit is square in the framework.

Oasis units are pre-leveled at the factory, however, site variations may require shimming to maintain level. If required, place shims or filler material under the block bases.

NOTE: Any material placed under the base to keep the unit level must be structurally sound and applied to ensure the unit's

weight will be equally distributed over the entire base.

The use of shims or filler material may also be required behind the nailing flange at each framing member to maintain the unit in the proper position.

With the unit square and level in the alcove, drill a 1/8" hole through the nailing flange at each framing member. Secure the unit in place across the back wall first, followed by the flanges at each end, then down the front vertical flanges. Use 1-1/4" large headed nails or screws. Continuously check to confirm the unit remains square within the alcove as it is being secured (illust. 5 & 6).

NOTE: It is advisable to protect the unit surface with a thin plywood or cardboard shield while fastening the flanges to the framing (illust. 6).

WARNING!
THE INSIDE UNIT SURFACE SHOULD
BE CLEAR OF ALL LOOSE DEBRIS
AND THE SURFACE PROTECTED
BEFORE STEPPING INSIDE.

Finishing Guidelines

Filler strips or filler material may be required over the framing to ensure the underlayment mounts flush over the nailing flanges. A water resistant underlayment is recommended surrounding the unit. Stop the underlayment 1/16 to 1/8-inch from the unit surface, and fill the space with a continuous bead of water resistant sealant. (Illust. 7)

NOTE: Oasis recommends a high quality silicone based sealant with a mold and mildew resistant content.

Use care when fastening the underlayment near the unit surface to avoid damage. Seal the underlayment seams and edges, as required, and install the finish material to specifications.

Removable Apron Panel

Certain aproned models come standard with a removable apron panel, while most models include a removable apron panel when a whirlpool or air system is ordered. Refer to your specific model for included features.

Oasis models with a removable apron system incorporate 4-6 adjustable magnet assemblies for quick and secure panel removal and reattachment.

The following procedure is recommended for the careful removal of the apron panel.

1. Grasp the bottom of the apron panel edge with both hands and pull away from the unit. This will release the bottom magnets while the panel top remains at rest on the upper row of magnets (illust. 8).
2. Pull the panel completely away from the top magnets and safely store the panel out of the way to avoid damage.

To reattach the panel:

1. Locate the 'up' arrow on the inside of the panel and rotate it to the correct position for reassembly.
2. Holding the panel at the top with the finished side facing you, locate the magnet alignment edges of the two outside receiver plates with your fingers. Angle the panel top in toward the unit apron and attach the receiver plates to the outside magnets, ensuring the alignment edge is above the top of the magnet (illust. 9).
3. Once the top of the panel is aligned, complete the attachment by pushing the bottom of the panel against the lower magnet assemblies until they catch.
4. In the event that the reattachment does not line up, simply remove the panel (steps 1 & 2 for panel removal) and repeat the attachment.

Removable Panel Adjustments

Hand adjustments can be made to the removable apron attachment system should it become necessary. Simply move the magnets in or out by turning in either direction (illust. 10). Reattach the panel to check for a correct fit and readjust the magnets if necessary.

Water Supply and Drain Connections

Refer to, and follow, the assembly and installation instructions provided with the supply valves and drain system. Carefully check all connections for leaks.

UNIT SURFACE CARE

WARNING!
NEVER USE ABRASIVE MATERIALS,
OR ABRASIVE CLEANERS
ON THE UNIT SURFACE!

EXTREME CAUTION is urged regarding
the use of any cleaner, acid or solvent
on the unit surface.

READ AND FOLLOW PACKAGE
INSTRUCTIONS FOR ALL
PURCHASED CLEANING PRODUCTS!

Through routine use, the unit surface can collect residues from soap, bath additives and natural body oils. Additional deposits

can also collect from minerals or particles found in the water. After each use, wipe the excess water from the unit. This practice will reduce the buildup of deposits and help maintain the natural unit lustre.

Following a thorough surface cleaning, an application of quality automotive wax will help reduce major accumulations. The actual schedule for cleaning and waxing will depend on unit usage and water quality.

WARNING!
NEVER APPLY WAX
TO THE UNIT FLOOR!

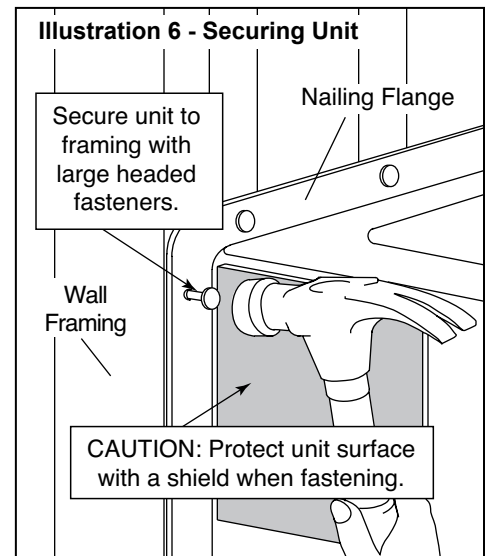
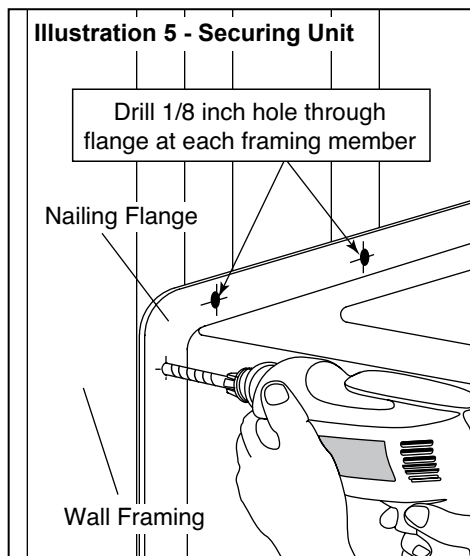
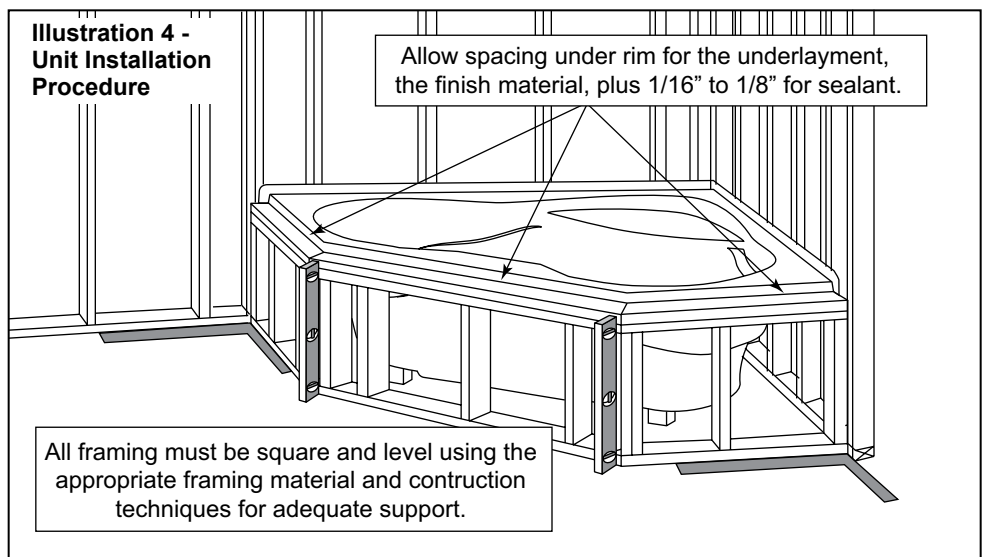
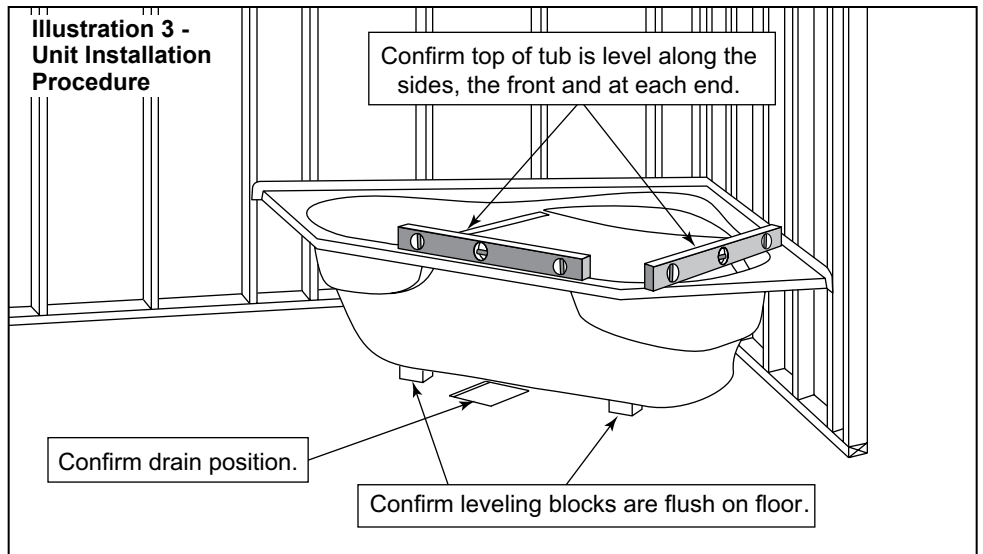
- ◆ **Routine Cleaning:** Mild, non-abrasive cleaner specifically formulated for gelcoat and acrylic surfaces recommended. (Rinse surface thoroughly)
- ◆ **Heavy Soap Deposits:** Liquid ammonia household cleaner, applied full strength. (Rinse surface thoroughly)
- ◆ **Stubborn Stains:** Liquid household cleaner or hydrogen peroxide applied full strength. Place a saturated clean rag directly on stain and let stand several hours. (Rinse surface thoroughly)
- ◆ **Hard Water Scales:** Liquid scale remover or white vinegar, applied full strength. (Rinse surface thoroughly)
- ◆ **Mold/Mildew:** Liquid mildew remover or baking soda and water paste. (Apply paste and allow to fizz several minutes.) (Rinse surface thoroughly)

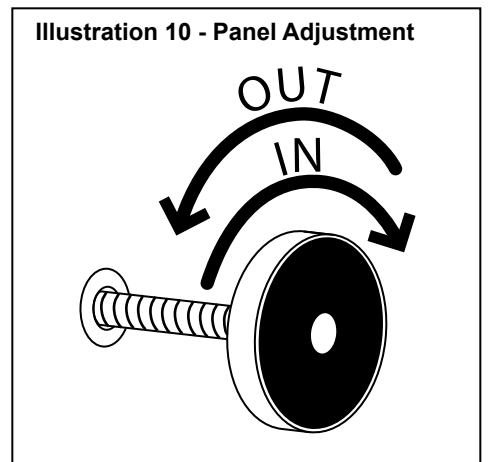
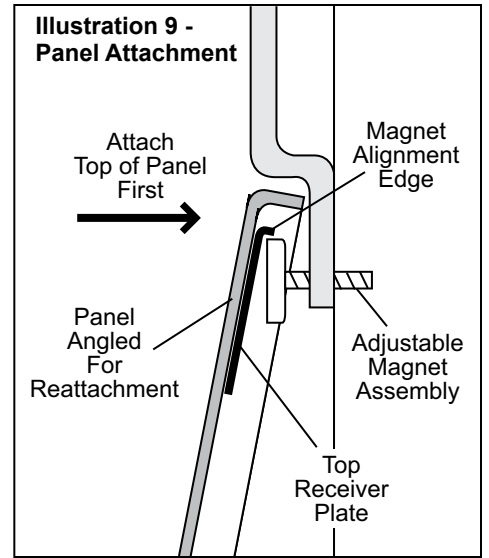
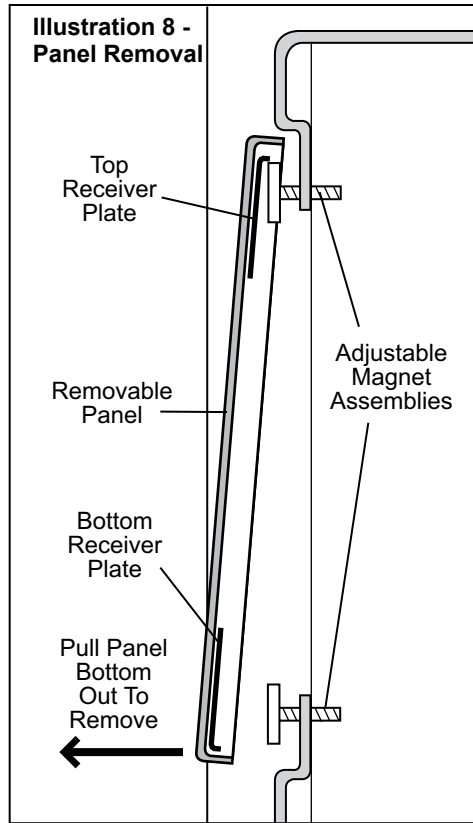
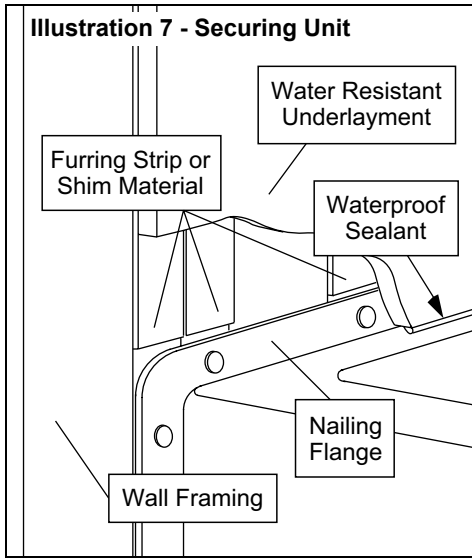
- ◆ **Construction Adhesive:** Soften adhesive with a hand held hair dryer and peel off adhesive. (Caution is advised when using any electrical device near water.)

For adhesive residue, apply rubbing alcohol or nail polish remover, full strength. (Rinse surface thoroughly)

WARNING!
BATH MATS AND OTHER ITEMS
HELD IN PLACE USING SUCTIONS
MUST BE REMOVED FROM THE UNIT
SURFACE AFTER EACH USE.

OVER AN EXTENDED PERIOD
FAILURE TO REMOVE
SUCTION ATTACHED ITEMS WILL
DAMAGE THE UNIT SURFACE.







Oasis Lifestyle Product Assurance Program

Bathing and Shower Unit Structure & Surface Finish Limited Warranty

Oasis Lifestyle provides a performance assurance program for unit structural integrity and surface finish covering a five (5) year period from the date-of-purchase on GELCOAT, and covering a ten (10) year period from the date-of-purchase on VACUUM FORMED ACRYLIC product, for the original purchaser and subsequent consumer. This Oasis limited warranty program addresses specific defects in the product, and the workmanship associated with the manufacture of the Oasis bathing and shower product. The specific defects covered must result in a significantly altered appearance and/or affect the intended performance standards for the product under normal residential use.

Hydro-Massage Systems (water recirculation & air), Option & Accessories Limited Warranty

Oasis Lifestyle provides a performance assurance program for their hydro-massage systems (herein called 'system'), and their options and accessories covering a two (2) year period from the date-of-purchase for the original purchaser and subsequent consumer. This Oasis limited warranty program addresses specific defects in the system components, and the workmanship associated with the assembly of the systems, along with offered options and accessories installed by Oasis, on an Oasis unit. The specific defects covered must result in a significantly altered appearance and/or affect the intended performance standards for the system, the option and/or the accessory.

During the coverage period, Oasis will, at its discretion (following a verification by an authorized Oasis representative), either provide service or supply a replacement product without charge, but excluding any cost associated with the transportation, removal of and/or reinstallation of the unit (module). Failure to allow requested inspection by an authorized Oasis representative, and/or failure to provide adequate accessibility for an authorized inspection, and/or service performed prior to documented authorization from Oasis Lifestyle, LLC., may delay service, and/or possibly terminate any warranty coverage, and remove any liability to Oasis Lifestyle, LLC.

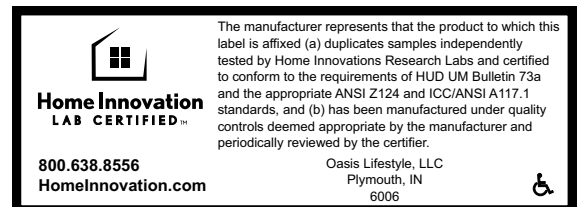
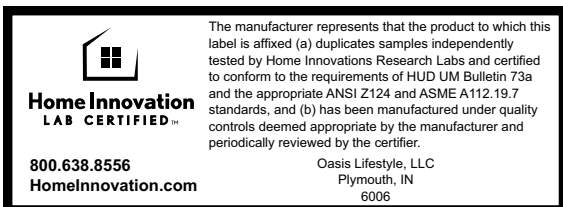
This 'Product Assurance Program' does not cover service resulting the following:

- a) Improper field installation of the product, system, option, accessory, and/or surrounding structure modifications, and/or utility service connections beyond the recommendations supplied by Oasis and within the scope of applicable codes and ordinances; or
- b) Carelessness, damage, abuse, misuse, negligence, improper care, fire, flood, or acts of God; or
- c) Non-conforming use, including any use beyond those intended for the product, system, option and/or accessory, including failure to follow the Prescribed Care and Maintenance Instructions; or
- d) Any unauthorized alterations or modifications to the product, system, option, accessory and/or the individual parts or components supplied by Oasis.
- e) Any surface and/or component staining, discoloration, component failure and/or build-up caused as a result of water chemistry or water quality at the site.
- f) Service resulting from normal use and wear for the product, system, option and/or accessory.

Repair or the supplying of replacement product and/or components, under this limited warranty program, shall be the exclusive remedy. Oasis Lifestyle, LLC., shall not be liable for any incidental or consequential damages, including damages to the building / structure, the contents, the occupants, or breach of any expressed or implied warranties. Oasis Lifestyle, LLC., does not recognize, nor authorizes any party to provide implied or written warranties regarding a product, system, option and/or accessories fitness for a particular purpose, nor modify the terms of the limited warranty beyond those stated.

Some states do not allow the exclusion or limitation of incidental or consequential damages, or allow limitations on the duration of any implied warranty. Therefore, the above exclusions and/or limitations may not apply.

THIS WARRANTY PROVIDES SPECIFIC LEGAL RIGHTS, WHICH CAN VARY FROM STATE-TO-STATE.



Oasis Lifestyle, LLC - 1400 Pidco Drive - Plymouth, Indiana 46563