



Motor Application and Installation Data

INDEX

GENERAL INFORMATION

Storage, Frequency of Starts, Temperature Ratings, Flow Sleeve..... 3-4

CENTRIPRO 4" SUBMERSIBLE MOTOR DATA

Motor and Control Box Cross Reference Data.....5

Single-phase 2-wire Data.....6-7, 10

Single-phase 3-wire Data.....8-10

4" Motor Wire Sizing Charts and Using Two Cable Sizes 11, 14

Three Phase 4" Motor Data 12, 13

CENTRIPRO 6" - 10" MOTOR DATA

Single-phase 6" Motors 15

Three-phase 6" - 10" Motors16-17

75° C Wire Charts For 6-10" CentriPro Motors..... 18

1Ø CONTROL BOXES, 3Ø STARTERS, BALANCED FLOW CONTROLLER

Quick Disconnect 1Ø Control Box - Data, Parts and Wiring 19

Installing a Symcom Insider (Or Pumptec™) in a Control Box.....20-21

MC and CSCR 1Ø Control Box - Data, Parts, Check-Out and Wiring.....22-26

Pump Troubleshooting..... 27

Aquavar SOLO Data 28

Aquavar SOLO and Balanced Flow Repair Parts 29

Three Phase Motor Operation on VFD's 30

Aquavar SOLO (Balanced Flow) Data Troubleshooting31-34

ELECTRICAL AND GENERAL INFORMATION

Electrical Tests35-39

Transformer Sizing 40

Three Phase Unbalance 41

Generator Sizing Chart..... 42

Cost of Operation, Head and Pressure Equivalents 43

Pressure Switches 44

Common Terms and Formulas..... 45

Tank Selection 46

Jet Pump Motor Data and Electrical Components..... 47

Jet Pump Motor Wiring A.O. Smith Motors..... 48

Friction Loss..... 49

Agency Listings and Logos.....50-51

ADDITIONAL TECHNICAL DATA IN THIS MANUAL

Although this is basically a Motor Manual our experience has proven that proper troubleshooting and motor installation also requires well and pump information. To that end we have added non-typical technical data to this manual to assist you in making informed, thorough troubleshooting and installation decisions. We hope you find these additions helpful.

MOTOR STORAGE

Water lubricated 4" motors are filled with a non-toxic, Propylene Glycol and water solution to prevent damage from freezing temperatures. We recommend storing 4" motors where temperatures are above 0° F. If stored in colder temperatures (down to -40° F) the fill solution will become slushy, in this case the motor should be allowed to sit in the well for several minutes before operating. If stored in an area where temperatures range from freezing to over 100° F some fill solution may be expelled from the motor. If the leakage appears significant we suggest installing (submerging) the motor for 10 minutes before starting to allow the check valve to do its job and replace the lost fluid.

Six inch and larger motors are protected from freezing to -22° F (-30° C). Checking instructions are in the 6" and Larger Pump IOM.

When removing a used motor from a well it must be protected from freezing as it may have taken on well water and no longer have enough propylene glycol in solution to prevent freezing.

Coolant Leakage – during storage or shipment, it is common for some coolant/fluid to leak from the motors, this should not be a concern. The filtered check valve will refill the motor upon submergence in a well. If leakage appears extraordinary or you are concerned, please call the nearest factory customer service number found on the back cover of this manual for checking instructions.

FREQUENCY OF STARTS

A one (1) minute minimum run cycle for pumps and motors up to 1.5 HP and two (2) minutes for 2 HP and larger motors is recommended. Motor, pressure switch, tank and pump life may be extended by limiting starts per hour and per day. Proper tank sizing is critical to control pump cycle times. Excessive or rapid cycling creates heat which can prematurely damage motors, switches and controls.

MOTOR INSTALLATION POSITION

Best service life is obtained when motors are installed in a vertical position. Installing in a horizontal position is allowable. It is best if the shaft end is at least 15° higher than the bottom of the motor. This places some weight on the thrust bearing which helps to prevent thrust bearing coast down wear as the motor slows down. When installed in horizontal installations we recommend keeping starts to a minimum and maintaining back pressure (head) on the system. Even when installed vertically, operating pumps at Open Discharge with little or no Head (to the far right of the pump curve) may create excessive upward thrust which may damage the motor's upthrust bearing and internal pump parts - in applications with high static water levels or little system head always use a throttling valve in the discharge line to create back pressure (head) on the pump and bearing.

CONTROL BOX MOUNTING

Single phase submersible control boxes feature NEMA 3R enclosures for indoor or outdoor mounting. They should be mounted in a vertical position as relay manufacturers recommend correct relay positioning for proper, trouble-free operation.

Control boxes should be shaded from direct sunlight in areas where temperatures exceed 90° F as excessive heat may shorten capacitor life. It is advisable to paint the enclosure white if outside in very hot, sunny climates.

MOTOR COOLING, TEMPERATURE AND TIME RATINGS

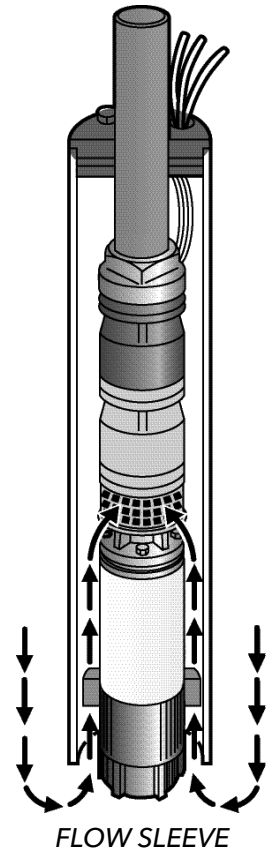
All 4 inch CentriPro motors may be operated continuously in water up to 86° F. Optimum service life will be attained by maintaining a minimum flow rate past the motor of .25 feet per second. Use a Flow Sleeve if velocity is below the .25'/sec, if the well is top feeding or when the pump is used in a large body of water or large tank.

Six (6) inch canned design motors from 5 - 40 HP will operate in water up to 95° F (35° C), without any de-rating of horsepower, with a minimum flow rate of .5 ft./sec. past the motor. 6" - 50 HP and all 8" - 10" motors can operate in 77° F (25° C) water with .5'/sec velocity past the motor.

One way to make a flow sleeve is to install a well seal above the pump discharge and slip a piece of casing over the pump and affix it to the well seal. Drill three holes at 120° intervals on the lower section of the casing and insert (3) screws and nuts through the casing, just touching the motor. Tighten the nuts out against the casing. Insure that the screws do not protrude out too far as you don't want them catching on well joints.

PUMP COOLING AND LUBRICATION

In addition to motor cooling, another reason to maintain minimum flow rates is pump lubrication. All manufacturers', either on curves or in selection charts, show minimum flows. This insures that rotating pump parts are properly lubricated to prolong service life and reduce friction. A dead headed pump will super heat water very quickly, and hot water has no lubricity.



MINIMUM FLOW RATES FOR PROPER MOTOR COOLING

Well or Sleeve Diameter (inches)	3.75" Diameter 4" CP or FE Motor .25'/sec	CP = 5.5" Dia. 6" CP Motor .5'/sec.	FE = 5.38" Dia. 6" FE Motor .5'/sec.	CP = 7.52" Dia. 8" CP Motor .5'/sec.
	GPM Required			
4	1.2	-	-	-
5	7	-	-	-
6	13	7	9	-
7	20	23	25	-
8	30	41	45	9
10	50	85	90	53
12	80	139	140	107
14	110	198	200	170
16	150	276	280	313

Multiply gpm by .2271 for m³/Hr.

Multiply gpm by 3.785 for l/min.

CROSS REFERENCE

CONTROL BOX CROSS REFERENCE

Control Box Type	HP	Volts	New Control Box #'s		=	Old Model Numbers			
			CentriPro Brand			Replaces F. E. Control Box	Replaces Goulds CB	Replaces Red Jacket	
								RJ CB	RJ - FE
QD	0.5	115	CB05411		2801044915	00043 (G)	-	50F301CB	
	0.5	230	CB05412		2801054902	00044 (G)	-	50F311CB	
	0.75	230	CB07412		2801074915	00054 (G)	-	75F311CB	
	1	230	CB10412		2801084915	00064 (G)	-	100F311CB	
CSCR or Integral	0.5	230	CB05412CR	New models « Left will replace all old model numbers to the Right »	2824055015	00044CR	S50N1CB	-	
	0.75	230	CB07412CR		2824075015	00054CR	S75N1CB	-	
	1	230	CB10412CR		2824085015	00064CR	S100N1CB	-	
	1.5	230	CB15412CR		2823008110	00074	S150N1CB	150F311CB	
	2	230	CB20412CR		2823018310	00084	S200N1CB	200F311CB	
	3	230	CB30412CR		2823028110	00094	S300N1CB	300F311CB	
	5	230	CB50412CR		2821138110	00104	S500N1CB	500F311CB	
MC or Deluxe	1.5	230	CB15412MC		Not Available Before				
	2	230	CB20412MC		2823018310	00084MC	S200N1CBC	200F311CBC	
	3	230	CB30412MC		2823028310	00094MC	S300N1CBC	300F311CBC	
	5	230	CB50412MC	2821139310	00104MC	S500N1CBC	500F311CBC		

MOTOR CROSS REFERENCE

Motor Type	HP	Volts	CentriPro Order No.	Old GWT #	Red Jacket Order No.	Old RJ #	F.E. #
2-wire	0.5	115	M05421	S04932	50C201	50F201	244504
	0.5	230	M05422	S04942	50C211	50F211	244505
	0.75	230	M07422	S05942	75C211	75F211	244507
	1	230	M10422	S06942	100C211	100F211	244508
	1.5	230	M15422	S07942	150C211	150F211	244309
3-wire	0.5	115	M05411	S04930	50C301	50F301	214505
	0.5	230	M05412	S04940	50C311	50F311	214505
	0.75	230	M07412	S05940	75C311	75F311	214507
	1	230	M10412	S06940	100C311	100F311	214508
	1.5	230	M15412	S07940	150C311	150F311	224300
	2	230	M20412	S08940	200C311	200F311	224301
	3	230	M30412	S09940	300C311	300F311	22430226
	3	230	N/R	S09940HT	N/R	300F311HT	22430252
5	230	M50412	S10940	500C311	500F311	224303	

1ST Generation 2008 - 2011

2-WIRE CENTRIPRO MOTOR DATA See next page for 2nd generation data

2-WIRE PSC, SINGLE PHASE 4" MOTORS - ELECTRICAL DATA, 60 HERTZ, 3450 RPM

Type	Order No.	RJ Ref. #	HP	KW	Volts	SF	Full Load		Service Factor		Locked Rotor Amps	Winding Resistance
							Amps	Watts	Amps	Watts		
2-Wire (PSC)	M05421	50C201	0.5	0.37	115	1.6	7.4	845	9.5	1088	36.4	1.3-1.8
	M05422	50C211	0.5	0.37	230	1.6	3.7	834	4.7	1073	19.5	4.5-5.2
	M07422	75C211	0.75	0.55	230	1.5	5.0	1130	6.4	1459	24.8	3.0-4.8
	M10422	100C211	1.0	0.75	230	1.4	7.9	1679	9.1	1990	21.7	4.2-5.2
	M15422	150C211	1.5	1.1	230	1.3	9.2	2108	11.0	2520	42.0	1.9-2.3

2-WIRE, SINGLE PHASE 4" MOTORS - ENGINEERING DATA

Type	Order No.	HP	Volts	Efficiency %		Power Factor %		Thrust Rating	KVA Code	
				F.L.	S.F.	F.L.	S.F.		Gen 1	Gen 2
2-Wire (PSC)	M05421	0.5	115	49	61	99	99	700 #	K	H
	M05422	0.5	230	50	62	97	99		K	J
	M07422	0.75	230	55	65	97	99		J	F
	M10422	1.0	230	58	65	94	96		F	F
	M15422	1.5	230	59	64	99	99		H	H

2-WIRE - FUSE AND CIRCUIT BREAKER AMPS (1st and 2nd Generation)

Type	Order No.	HP	Fuse or Circuit Breaker Amps			
			Standard Fuse		Dual Element Time Delay - Gen 1 & 2	Circuit Breaker Gen 1 & 2
			Gen 1	Gen 2		
2-Wire (PSC)	M05421	0.5	25	25	15	20
	M05422	0.5	15	15	10	10
	M07422	0.75	20	15	10	15
	M10422	1.0	25	20	15	20
	M15422	1.5	30	30	15	25

2-WIRE 1Ø MOTOR WIRE SIZING CHART (Generation 1)

CentriPro Motor Lead Lengths - 2-Wire Motors, 1Ø, 4" Motors Based on Service Factor Amps, 30° C Ambient and 5% Voltage Drop														
Motor Rating				60° C and 75° C Insulation - AWG Copper Wire Size										
Volts	HP	kW	SFA	14	12	10	8	6	4	2	1/0	2/0	3/0	4/0
115	0.5	0.37	9.5	115	183	293	463	721	1150	1825	2902	3662	4623	5824
230	0.5	0.37	4.7	466	742	1183	1874	2915	4648	7379	11733	14803	18688	23544
230	0.75	0.55	6.4	342	545	869	1376	2141	3413	5419	8617	10871	13724	17290
230	1.0	0.75	9.1	241	383	611	968	1506	2400	3811	6060	7646	9652	12160
230	1.5	1.1	11.0	199	317	505	801	1246	1986	3153	5013	6325	7985	10060

Generation II CentriPro Motors

2-WIRE MOTORS Identified by a - 01 Nameplate Order No. Suffix

As part of Faradyne Motors' continual improvement process we are pleased to introduce the 2 Wire Generation II motors in April 2011. Our pump model numbers and motor order number will not change. The Motor Nameplate will have a new Faradyne part number and the Goulds part number on the Motor Nameplate will have a - 01 suffix, example M05422 will be M05422 - 01, only on the Motor Nameplate not in our catalog or price book.

The self-stick, Mylar motor data stickers we pack with 2 wire motors and complete pumps will be updated with the new electrical data so that installers will know which motor is installed in the well should service work ever be necessary. Note that the motor data is only needed to troubleshoot a motor in the well, i.e. resistance and amperage ratings or when installing a variable speed drive system to set the overloads.

GENERATION II - 2-WIRE, 4" SINGLE PHASE ELECTRICAL DATA, 60 HERTZ, 3450 RPM

Type	Order No.	RJ Ref. #	HP	KW	Volts	SF	Full Load		Service Factor		Locked Rotor Amps	Winding Resistance	KVA Code
							Amps	Watts	Amps	Watts			
2-Wire (PSC)	M05421	50C201	0.5	0.37	115	1.6	7.9	910	9.8	1120	28	1.4-2.0	H
	M05422	50C211	0.5	0.37	230	1.6	4.0	845	4.7	1050	16	6.1-7.2	J
	M07422	75C211	0.75	0.55	230	1.5	5.0	1130	6.2	1400	18	5.9-6.9	F
	M10422	100C211	1.0	0.75	230	1.4	6.7	1500	8.1	1800	24	4.2-5.2	F
	M15422	150C211	1.5	1.1	230	1.3	9.0	2000	10.4	2350	43	1.8-2.4	H

GENERATION II - 2-WIRE, 4" SINGLE PHASE ENGINEERING DATA

Type	Order No.	HP	KW	Volts	Efficiency %		Power Factor %		Length		Weight		Thrust Rating
					F.L.	S.F.	F.L.	S.F.	Inches	mm	lb.	kg.	
2-Wire (PSC)	M05421	0.5	0.37	115	42%	54%	99%	99%	10.5	267	18	8.2	700 #
	M05422	0.5	0.37	230	45%	59%	92%	97%	10.5	267	18	8.2	
	M07422	0.75	0.55	230	51%	61%	98%	98%	11.9	302	22	9.7	
	M10422	1.0	0.75	230	50%	59%	98%	98%	12.5	318	24	10.5	
	M15422	1.5	1.1	230	57%	63%	98%	99%	14.2	361	28	12.4	

GENERATION II, 2-WIRE MOTORS, RECOMMENDED LEAD LENGTHS

Released for Sale in November/December 2011

CentriPro Motor Lead Lengths - 2-Wire Motors, 1Ø, 4" Motors Based on Service Factor Amps, 30° C Ambient and 5% Voltage Drop															
Motor Rating					60° C and 75° C Insulation - AWG Copper Wire Size										
Volts	HP	kW	FLA	SFA	14	12	10	8	6	4	2	1/0	2/0	3/0	4/0
115	0.5	0.37	7.9	9.8	112	178	284	449	699	1114	1769	2814	3550	4481	5646
230	0.5	0.37	4.0	4.7	466	742	1183	1874	2915	4648	7379	11733			
230	0.75	0.55	5.0	6.2	353	562	897	1420	2210	3523	5594	8895	11222		
230	1.0	0.75	6.7	8.1	271	430	686	1087	1692	2697	4281	6808	8590	10843	
230	1.5	1.1	9.0	10.4	211	335	535	847	1318	2100	3335	5303	6690	8445	

1ST Generation 2008 - 2012

3-WIRE CENTRIPRO MOTOR DATA

3-WIRE, SINGLE PHASE 4" MOTORS - ELECTRICAL DATA, 60 HERTZ, 3450 RPM

Type	Order No.	RJ Ref. #	HP	KW	Volts	SF	Full Load		Service Factor		Locked Rotor Amps	Winding Resistance		Required Control Box
							Amps	Watts	Amps	Watts		Main (B-Y)	Start (R-Y)	
3-Wire with Q.D. Cap. Start Box	M05411	50C301	0.5	0.37	230	1.6	Y-11.0 B-11.0 R-0	733	Y-12.6 B-12.6 R-0	1021	49.6	0.9 - 1.6	5.7 - 7.0	CB05411
	M05412	50C311	0.5	0.37		1.6	Y-5.5 B-5.5 R-0	745	Y-6.3 B-6.3 R-0	1033	22.3	4.2 - 4.9	17.4 - 18.7	CB05412
	M07412	75C311	0.75	0.55		1.5	Y-7.2 B-7.2 R-0	1014	Y-8.3 B-8.3 R-0	1381	32.0	2.6 - 3.6	11.8 - 13.0	CB07412
	M10412	100C311	1.0	0.75		1.4	Y-8.4 B-8.4 R-0	1267	Y-9.7 B-9.7 R-0	1672	41.2	2.2 - 3.2	11.3 - 12.3	CB10412
3-Wire with CSCR (CR) or Magnetic Contactor (MC) Control Box	M05412	50C311	0.5	0.37		1.6	Y-4.1 B-4.1 R-2.2	720	Y-4.9 B-4.4 R-2.1	955	22.3	4.2 - 4.9	17.4 - 18.7	CB05412CR
	M07412	75C311	0.75	0.55		1.5	Y-5.1 B-5.0 R-3.2	1000	Y-6.3 B-5.6 R-3.1	1300	32.0	2.6 - 3.6	11.8 - 13.0	CB07412CR
	M10412	100C311	1.0	0.75		1.4	Y-6.1 B-5.7 R-3.3	1205	Y-7.2 B-6.3 R-3.3	1530	41.2	2.2 - 3.2	11.3 - 12.3	CB10412CR
	M15412	150C311	1.5	1.1		1.3	Y-9.7 B-9.5 R-1.4	1693	Y-11.1 B-11.0 R-1.3	2187	47.8	1.6 - 2.3	7.9 - 8.7	CB15412CR or CB15412MC
	M20412	200C311	2.0	1.5	1.25	Y-9.9 B-9.1 R-2.6	2170	Y-12.2 B-11.7 R-2.6	2660	49.4	1.6 - 2.2	10.8 - 12.0	CB20412CR or CB20412MC	
	M30412	300C311	3.0	2.2	1.15	Y-14.3 B-12.0 R-5.7	3170	Y-16.5 B-13.9 R-5.6	3620	76.4	1.1 - 1.4	2.0 - 2.5	CB30412CR or CB30412MC	
	M50412	500C311	5.0	3.7	1.15	Y-24.0 B-19.1 R-10.2	5300	Y-27.0 B-22.0 R-10.0	6030	101.0	0.62 - 0.76	1.36 - 1.66	CB50412CR or CB50412MC	

GENERATION I - 3-WIRE, SINGLE PHASE MOTOR WIRE SIZING CHART

CentriPro Motor Lead Lengths - 3-Wire Motors, 1Ø, 4" Motors Based on Service Factor Amps, 30° C Ambient and 5% Voltage Drop																	
Motor Rating					60° C and 75° C Insulation - AWG Copper Wire Size												
HP	Volts	kW	FLA	SFA	14	12	10	8	6	4	3	2	1	1/0	2/0	3/0	4/0
0.5	115	0.37	11	12.6	87	138	221	349	544	867	1090	1376	1734	2188	2761	3485	4391
0.5	230	0.37	5.5	6.3	348	553	883	1398	2175	3467	4359	5505	6935	8753	11044	13942	17564
0.75		0.55	7.2	8.3	264	420	670	1061	1651	2632	3309	4178	5264	6644	8383	10582	13332
1.0		0.75	8.4	9.7	226	359	573	908	1413	2252	2831	3575	4504	5685	7173	9055	11408
1.5		1.1	9.7	11.1	197	314	501	793	1234	1968	2474	3124	3936	4968	6268	7913	9969
2.0		1.5	9.9	12.2	180	286	456	722	1123	1790	2251	2843	3581	4520	5703	7199	9070
3.0		2.2	14.3	16.5	133	211	337	534	830	1324	1664	2102	2648	3342	4217	5323	6706
5.0		3.7	24	27			206	326	507	809	1017	1284	1618	2042	2577	3253	

Tables based on values from NEC, Tables 310.16 and 310.17 and NEC, Chapter 9, Table 8 Conductor Properties.

NOTE: Motors and control boxes are designed to operate on 230V systems. Systems with low line voltage, between 200 - 207 volts require the next larger cable size than shown in the 230V charts. If using a 3-wire motor with control box on a low voltage application switch to a 208V start relay. The 208V start relay order numbers are found on control box repair part charts in this manual.

Temperature Conversions: 20° C = 68° F, 30° C = 86° F, 60° C = 140° F, 75° C = 167° F, 90° C = 194° F

Generation II - Released for sale in February/March 2012

3-WIRE, SINGLE PHASE 4" MOTORS - ELECTRICAL DATA, 60 HERTZ, 3450 RPM

Type	Order No.	RJ Ref. #	HP	KW	Volts	SF	Full Load		Service Factor		Locked Rotor Amps	Winding Resistance		Required Control Box ¹		
							Amps	Watts	Amps	Watts		Main (B-Y)	Start (R-Y)			
3-Wire with Q.D. Cap. Start Box	M05411	50C301	0.5	0.37	115	1.6	Y-8.8 B-8.8 R-0	675	Y-10.9 B-10.9 R-0	980	44	1.0-1.4	2.5-3.1	CB05411		
	M05412	50C311	0.5	0.37			Y-5.3 B-5.3 R-0	740	Y-6.1 B-6.1 R-0	1050	21	5.1-6.1	12.4-13.7	CB05412		
	M07412	75C311	0.75	0.55			Y-6.6 B-6.6 R-0	970	Y-7.8 B-7.8 R-0	1350	32	2.6-3.3	10.4-11.7	CB07412		
	M10412	100C311	1.0	0.75			Y-8.1 B-8.1 R-0	1215	Y-9.4 B-9.4 R-0	1620	41	2.0-2.6	9.3-10.4	CB10412		
3-Wire with CSCR (CR) or Magnetic Contactor (MC) Control Box	M05412	50C311	0.5	0.37			230	1.6	Y-4.2 B-4.1 R-1.8	715	Y-4.8 B-4.3 R-1.8	960	21	1.0-1.4	2.5-3.1	CB05412CR
	M07412	75C311	0.75	0.55					Y-4.8 B-4.4 R-2.5	940	Y-6.0 B-4.9 R-2.3	1270	32	5.1-6.1	12.4-13.7	CB07412CR
	M10412	100C311	1.0	0.75					Y-6.1 B-5.2 R-2.7	1165	Y-7.3 B-5.8 R-2.6	1540	41	2.6-3.3	10.4-11.7	CB10412CR
	M15412	150C311	1.5	1.1					Y-9.1 B-8.2 R-1.2	1660	Y-10.9 B-9.4 R-1.1	2130	49	2.0-2.6	9.3-10.4	CB15412CR or CB15412MC
	M20412	200C311	2	1.5	Y-9.9 B-9.1 R-2.6	2170			Y-12.2 B-11.7 R-2.6	2660	49	1.6-2.2	10.8-12.0	CB20412CR or CB20412MC		
	M30412	300C311	3	2.2	Y-14.3 B-12.0 R-5.7	3170			Y-16.5 B-13.9 R-5.6	3620	76	1.1-1.4	2.0-2.5	CB30412CR or CB30412MC		
	M50412	500C311	5	3.7	Y-24.0 B-19.1 R-10.2	5300			Y-27.0 B-22.0 R-10.0	6030	101	.62-.76	1.36-1.66	CB50412CR or CB50412MC		

¹ A CSCR control box with a CR suffix can be replaced by a Magnetic Contactor model ending in MC.

GENERATION II - 3-WIRE, 4" SINGLE PHASE RECOMMENDED WIRE LENGTHS

Generation II - CentriPro 3-Wire Motors - Recommended Motor Lead Lengths Based on Service Factor Amps, 30° C Ambient and 5% Voltage Drop															
Motor Rating					60° C and 75° C Insulation - AWG Copper Wire Size										
HP	Volts	kW	FLA	SFA	14	12	10	8	6	4	2	1/0	2/0	3/0	4/0
0.5	115	0.37	8.8	10.9	101	160	255	404	629	1002	1591	2530	3192	4029	5076
0.5	230	0.37	5.3	6.1	359	571	912	1444	2246	3581	5685	9040	-	-	-
0.75		0.55	6.6	7.8	281	447	713	1129	1757	2800	4446	7070	8920	-	-
1.0		0.75	8.1	9.4	233	371	592	937	1458	2324	3689	5867	7402	-	-
1.5		1.1	9.1	10.9	201	320	510	808	1257	2004	3182	5059	6383	-	-
2.0		1.5	9.9	12.2	180	286	456	722	1123	1790	2843	4520	5703	-	-
3.0		2.2	14.3	16.5	133	211	337	534	830	1324	2102	3342	4217	5323	-
5.0		3.7	24	27	-	-	206	326	507	809	1284	2042	2577	3253	-

GENERATION I, 3-WIRE, SINGLE PHASE 4" MOTORS - ENGINEERING DATA

Type	Order No.	HP	Volts	Efficiency %		Power Factor %		Thrust Rating	KVA Code	
				F.L.	S.F.	F.L.	S.F.			
3-Wire	M05411	0.5	230	115	51	59	54	69	700 #	N
	M05412	0.5		50	58	58	71	M		
	M07412	0.75		55	61	61	72	L		
	M10412	1.0		59	62	66	75	L		
	M15412	1.5		66	67	80	86	900 #	J	
	M20412	2		68	69	96	95		G	
	M30412	3		72	72	96	97		G	
	M50412	5		71	71	97	98		1500 #	E

GENERATION II - 3-WIRE, SINGLE PHASE 4" MOTORS - ENGINEERING DATA

Type	Order No.	HP	Volts	Efficiency %		Power Factor %		Thrust Rating	KVA Code	
				F.L.	S.F.	F.L.	S.F.			
3-Wire CSIR (OD)	M05411	0.5	230	115	57	62	65	78	700 #	M
	M05412	0.5		52	58.5	61	75	L		
	M07412	0.75		60	64.5	64	76	L		
	M10412	1		63	66	66	76	L		
3-Wire CSCR	M05412	0.5	230	54.5	61.5	77	87	L		
	M07412	0.75		62	69	86	91	L		
	M10412	1.0		66	71	86	91	L		
	M15412	1.5		68	69	81	87	J		
	M20412	2		70	70	89	91	900 #	G	
	M30412	3		72	72	96	97		G	
	M50412	5		70.5	71	97	97.5	1500 #	E	

2-WIRE & 3-WIRE WEIGHTS AND DIMENSIONS

Type	CentriPro Order No.	HP	Volts	Length (L) In.		Weight (lbs)		
				Gen I	Gen II	Gen I	Gen II	
2-Wire	M05421	.5	230	115	11	10.5	19	18
	M05422	.5		11	10.5	19	18	
	M07422	.75		12.4	11.9	23	22	
	M10422	1		13.3	12.5	25	24	
	M15422	1.5		14.9	14.2	29	28	
3-wire	M05411	.5	230	115	10	9.6	19	18
	M05412	.5		9.7	9.2	18	17	
	M07412	.75		10.8	10.3	22	20	
	M10412	1		11.7	11.2	23	22	
	M15412	1.5		13.6	12.8	28	26	
	M20412	2		15.1		31		
	M30412	3		18.3		40		
	M50412	5		27.7		70		

USING TWO DIFFERENT CABLE SIZES

Customers sometimes desire to use two or more wire sizes on a pump installation. This is acceptable as long as the maximum cable length ratings are not exceeded. The data below describes how to safely accomplish the task. The cable lengths in the wire sizing charts represent 100% of the allowable length for each wire size. Never use more than 100% of any length shown in the table.

The Three-Wire, Single Phase Motor Wire Chart will be used in this example. See page 8.

Installation Data:

- 2 HP, 230V, 1Ø, 3-Wire Motor
- 150 Ft of #12 wire buried between the home (service entrance) and the well
- Pump is set at 340 feet
- Total wire length is 490 feet

Refer to 3-Wire Motor Lead Length Chart

- Select row for 2 HP, 230V, 1Ph Motor
- Maximum wire lengths are:
 - #12 - 286'
 - #10 - 456'
 - #8 - 722'
- Allowable Drop Cannot Exceed 100% of Any Length or Combination of Lengths

The existing 150 feet of #12 underground wire uses $150'/286' = 52.4\%$ of the allowable length. $100\% - 52.4\% = 47.6\%$ of another wire available to use. Which wire will use $\leq 47.6\%$ of its allowable length to run 340'.

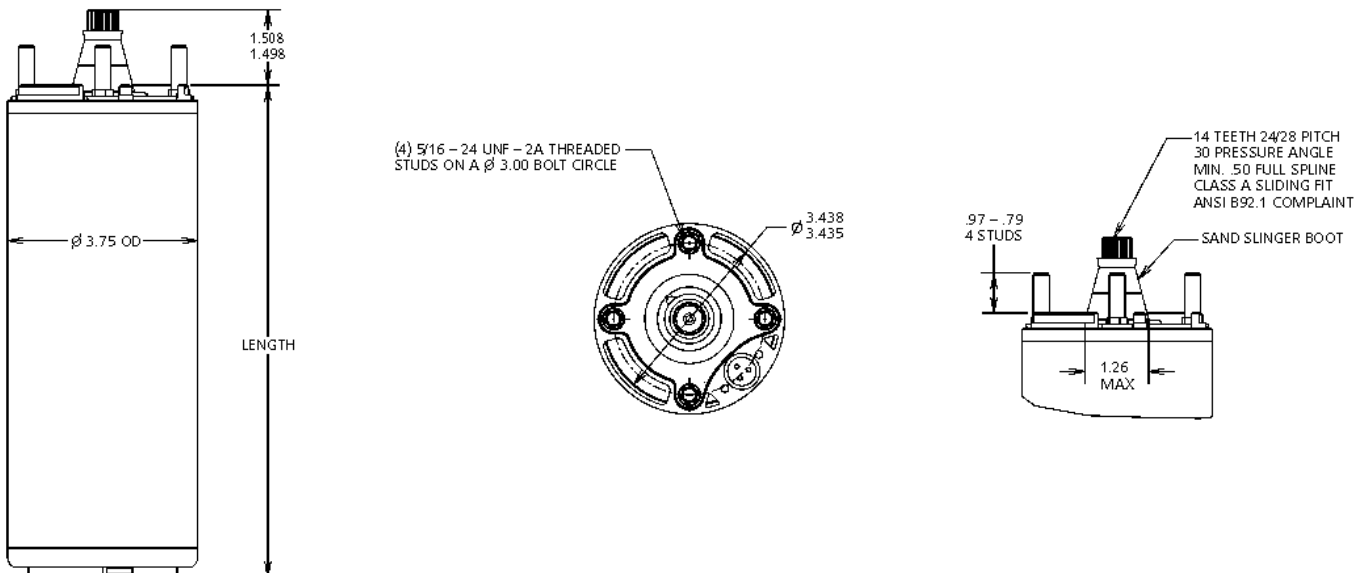
$340'/456' = 74.5\%$ of #10 - $74.5\% + 52.4\% = 126.9\%$ - over 100% is not allowable

$340'/722' = 47.1\%$ of #8 - $47.1\% + 52.4\% = 99.5\%$ which is allowable

On this application we can use 150' of #12 with 340' of #8.

The formula is: $\frac{\text{Actual Length 1}}{\text{Maximum Allowed}} + \frac{\text{Actual length 2}}{\text{Maximum Allowed}} \leq 1$ or $\leq 100\%$

Using this formula it is possible to size wire using 2 or more different wire sizes.



THREE PHASE, 4", MOTOR DATA

ELECTRICAL DATA, 60 HERTZ, 3450 RPM, 4" MOTORS

CentriPro #	RJ Ref. #	HP	KW	Volts	SF	Full Load		Service Factor		Locked Rotor Amps	Line - Line Resistance
						Amps	Watts	Amps	Watts		
M05430	50C323	0.5	0.37	200	1.6	2.9	600	3.4	870	22	4.1 - 5.2
M07430	75C323	0.75	0.55		1.5	3.8	812	4.5	1140	32	2.6-3.0
M10430	100C323	1	0.75		1.4	4.6	1150	5.5	1500	29	3.4-3.9
M15430	150C323	1.5	1.1		1.3	6.3	1560	7.2	1950	40	1.9-2.5
M20430	200C323	2	1.5		1.25	7.5	2015	8.8	2490	51	1.4-2.0
M30430	300C323	3	2.2		1.15	10.9	2890	12.0	3290	71	0.9-1.3
M50430	500C323	5	3.7		1.15	18.3	4850	20.2	5515	113	0.4-0.8
M75430	750C323	7.5	5.5		1.15	27.0	7600	30.0	8800	165	0.5-0.6
M05432	50C313	0.5	0.37	230	1.6	2.4	610	2.9	880	17.3	5.7 - 7.2
M07432	75C313	0.75	0.55		1.5	3.3	850	3.9	1185	27	3.3 - 4.3
M10432	100C313	1	0.75		1.4	4.0	1090	4.7	1450	26.1	4.1-5.1
M15432	150C313	1.5	1.1		1.3	5.2	1490	6.1	1930	32.4	2.8-3.4
M20432	200C313	2	1.5		1.25	6.5	1990	7.6	2450	44	1.8-2.4
M30432	300C313	3	2.2		1.15	9.2	2880	10.1	3280	58.9	1.3-1.7
M50432	500C313	5	3.7		1.15	15.7	4925	17.5	5650	93	.85-1.25
M75432	750C313	7.5	5.5		1.15	24	7480	26.4	8570	140	.55-.85
M05434	50C353	0.5	0.37	460	1.6	1.3	610	1.5	875	9	23.6 - 26.1
M07434	75C353	0.75	0.55		1.5	1.7	820	2.0	1140	14	14.4 - 16.2
M10434	100C353	1	0.75		1.4	2.2	1145	2.5	1505	13	17.8 - 18.8
M15434	150C353	1.5	1.1		1.3	2.8	1560	3.2	1980	16.3	12.3 - 13.1
M20434	200C353	2	1.5		1.25	3.3	2018	3.8	2470	23	8.0 - 8.67
M30434	300C353	3	2.2		1.15	4.8	2920	5.3	3320	30	5.9-6.5
M50434	500C353	5	3.7		1.15	7.6	4810	8.5	5530	48	3.58-4.00
M75434	750C353	7.5	5.5		1.15	12.2	7400	13.5	8560	87	1.9-2.3
M100434	1000C353	10	7.5	1.15	15.6	9600	17.2	11000	110	1.8-2.2	
M15437	150C363	1.5	1.1	575	1.3	2.0	1520	2.4	1950	11.5	19.8-20.6
M20437	200C363	2	1.5		1.25	2.7	1610	3.3	2400	21	9.4-9.7
M30437	300C363	3	2.2		1.15	3.7	2850	4.1	3240	21.1	9.4-9.7
M50437	500C363	5	3.7		1.15	7.0	5080	7.6	5750	55	3.6-4.2
M75437	750C363	7.5	5.5		1.15	9.1	7260	10.0	8310	55	3.6-4.2

THREE-PHASE, 4" MOTOR, LENGTHS AND WEIGHTS

HP	Volts	Length		Weight		
		Inches	mm	lb.	kg.	
0.5	200	10.0	254	19	8.6	
0.75		10.8	275	22	9.7	
1.0		11.7	297	23	10.4	
1.5		11.7	297	23	10.4	
2.0		230	13.8	351	28	12.7
3.0			460	15.3	389	32
5.0		21.7		550	55	24.9
7.5		27.7		703	70	31.8
10.0		30.7		780	78	35.4
1.5		575	11.7	297	23	10.4
2.0	15.3		389	32	14.5	
3.0	15.3		389	32	14.5	
5.0	27.7		703	70	31.8	
7.5	27.7		703	70	31.8	

CENTRIPRO THREE PHASE, 4", MOTOR DATA

EFFICIENCY, THRUST RATING, FUSE/CIRCUIT BREAKER, KVA CODES

CentriPro #	HP	Volts	Efficiency %		Thrust Rating	KVA Code	Standard Fuse		DE-TD Fuse		Circuit Breaker	
			F.L.	S.F.			Meets NEC based FLA	Max. Value based SFA	Meets NEC based FLA	Max. Value based SFA	Meets NEC based FLA	Max. Value based SFA
M05430	0.5	200	62	68	700 #	R	10	15	6	10	10	10
M07430	0.75		69	74		R	15	15	10	15	10	15
M10430	1		66	70		M	15	20	10	10	10	15
M15430	1.5		72	74		L	20	25	10	15	15	20
M20430	2		74	75	900 #	K	25	30	15	20	20	25
M30430	3		77	77		K	35	40	20	25	30	35
M50430	5		76	76	1500 #	J	60	70	35	40	50	60
M75430	7.5		74	74		J	80	90	50	60	70	80
M05432	0.5	230	61	68	700 #	R	6	10	6	6	6	10
M07432	0.75		66	71		R	6	15	6	10	6	10
M10432	1		69	72		M	10	15	6	10	10	15
M15432	1.5		75	76		K	15	20	10	15	15	20
M20432	2		75	75	900 #	K	15	25	15	15	20	20
M30432	3		77	77		J	25	35	15	20	25	30
M50432	5		76	76	1500 #	J	45	60	30	35	40	45
M75432	7.5		75	75		J	70	80	45	50	60	70
M05434	0.5	460	61	68	700 #	R	3	6	3	3	3	6
M07434	0.75		69	73		R	3	10	6	6	3	6
M10434	1		65	69		M	6	10	3	6	6	10
M15434	1.5		72	73		K	10	10	6	6	6	10
M20434	2		74	75	900 #	L	15	15	6	10	10	10
M30434	3		76	77		J	15	20	10	10	15	15
M50434	5		77	77	1500 #	J	25	30	15	20	15	25
M75434	7.5		76	76		L	40	50	25	30	30	35
M100434	10		79	80		K	45	60	25	35	35	45
M15437	1.5		575	73	74	700 #	J	6	10	3	6	6
M20437	2	78		78	900 #	M	10	10	6	6	10	10
M30437	3	78		78		J	10	15	10	10	10	15
M50437	5	74		75	1500 #	M	20	25	15	15	20	20
M75437	7.5	77		77		J	25	35	20	20	25	30

3Ø 4" CENTRIPRO MOTOR WIRE CHART

Motor Lead Lengths - 3-Phase Motors - Based on Service Factor Amps, 30° C Ambient and 5% Voltage Drop															
Motor Rating					60° C and 75° C Insulation - AWG Copper Wire Size										
Volts	HP	kW	FLA	SFA	14	12	10	8	6	4	2	1/0	2/0	3/0	4/0
200	.5	.37	3.8	2.9	657	1045	1667	2641	4109						
	.75	.55	3.8	4.5	423	674	1074	1702	2648						
	1	.75	4.6	5.5	346	551	879	1392	2166	3454					
	1.5	1.1	6.3	7.2	265	421	672	1064	1655	2638					
	2	1.5	7.5	8.8	217	344	549	870	1354	2158	3427	5449			
	3	2.2	10.9	12.0	159	253	403	638	993	1583	2513	3996			
	5	3.7	18.3	20.2	94	150	239	379	590	940	1493	2374	2995	3781	4764
	7.5	5.5	27.0	30.0	64	101	161	255	397	633	1005	1598	2017	2546	3207
230	.5	.37	2.4	2.9	756	1202	1917	3037	4725	7532					
	.75	.55	3.3	3.9	562	894	1426	2258	3513	5601	8892				
	1	.75	4	4.7	466	742	1183	1874	2915	4648	7379				
	1.5	1.1	5.2	6.1	359	571	912	1444	2246	3581	5685	9040			
	2	1.5	6.5	7.6	288	459	732	1159	1803	2874	4563	7256	9155		
	3	2.2	9.2	10.1	217	345	551	872	1357	2163	3434	5460	6889	8696	10956
	5	3.7	15.7	17.5			318	503	783	1248	1982	3151	3976	5019	6323
	7.5	5.5	24	26.4				334	519	827	1314	2089	2635	3327	4192
460	.5	.37	1.3	1.5	2922	4648	7414								
	.75	.55	1.7	2.0	2191	3486	5560	8806							
	1	.75	2.2	2.5	1753	2789	4448	7045							
	1.5	1.1	2.8	3.2	1370	2179	3475	5504							
	2	1.5	3.3	3.8	1153	1835	2926	4635	7212						
	3	2.2	4.8	5.3	827	1315	2098	3323	5171						
	5	3.7	7.6	8.5	516	820	1308	2072	3224	5140					
	7.5	5.5	12.2	13.5	325	516	824	1305	2030	3236	5138				
	10	7.5	15.6	17.2	255	405	647	1024	1593	2540	4033				
575	1.5	1.1	2.0	2.4	2283	3631	5792								
	2	1.5	2.7	3.3	1660	2641	4212	6671							
	3	2.2	3.7	4.1	1336	2126	3390	5370							
	5	3.7	7.0	7.6	721	1147	1829	2897	4507						
	7.5	5.5	9.1	10.0	548	871	1390	2202	3426						

6" SINGLE PHASE MOTORS AND REQUIRED CONTROL BOXES

Motor Order No.	HP	kW	Volts	Phase	Motor Dia. vs Flange Dia.	S.F.	Rated Input		Service Factor		L.R. Amps	Control Box Order No.®
							Amps	Watts	Amps	Watts		
6M051	5	3.7	230	1	6" x 6"	1.15	24	4987	27.5	5735	124	CB05MC (3R)
6M071	7.5	5.5					36	7675	41	8950	167	CB07MC (3R)
6M101	10	7.5					50	10135	58	11830	202	CB10MC (3R)
6M151	15	11					72	15180	85	18050	275	CB15MC (3R)

① NEMA 3R control boxes will be replacing the current models.

6" SINGLE PHASE MOTORS

Motor Order No.	HP	kW	Volts	Phase	F.L. Efficiency %	KVA Code	Resistance - Ohms		
							R - Y	B - Y	R - B
6M051	5	3.7	230	1	74.8	G	2.172	0.512	2.627
6M071	7.5	5.5			72.9	F	1.401	0.400	1.774
6M101	10	7.5			73.6	E	1.052	0.316	1.310
6M151	15	11			73.7	D	0.678	0.230	0.850

6-10" THREE PHASE MOTORS

Motor Order No.	HP	KW	Volts	Phase	Motor Dia. vs. Flange Dia.	SF	Rated Input		Service Factor		Locked Rotor Amps
							Amps	Watts	Amps	Watts	
6M058	5	3.7	200	3	6" x 6"	1.15	17.5	4910	19.5	5610	124
6M052	5	3.7	230				15.0	4857	17.0	5520	110
6M054	5	3.7	460				7.5	4857	8.5	5520	55
6M078	7.5	5.5	200				25.4	7180	28.5	8230	158
6M072	7.5	5.5	230				22.0	7127	26.0	8140	144
6M074	7.5	5.5	460				11.0	7127	13.0	8140	72
6M108	10	7.5	200				33.3	9360	37.2	10700	236
6M102	10	7.5	230				29.0	9407	33.0	10730	208
6M104	10	7.5	460				14.5	9407	16.5	10730	104
6M158	15	11	200				47.4	13700	53.5	15710	347
6M152	15	11	230				42.0	13700	46.0	15800	320
6M154	15	11	460				21.0	13700	23.0	15800	160
6M208	20	15	200				61.2	18040	69.5	20820	431
6M202	20	15	230				54.0	17930	60.0	20650	392
6M204	20	15	460				27.0	17930	30.0	20650	196
6M258	25	18.5	200				77.3	22740	87.5	26190	578
6M252	25	18.5	230				68.0	22470	76.0	25800	530
6M254	25	18.5	460				34.0	22470	37.0	25800	265
6M308	30	22	200				91.8	27000	104.0	31120	674
6M302	30	22	230				82.0	27130	94.0	31160	610
6M304	30	22	460				41.0	27130	47.0	31160	305
6M404	40	30	460				53.0	35530	60.0	41100	340
66M504	50	37	460				70.0	45210	79.0	52380	465
86M504	50	37	460				65.0	44360	73.0	51000	435
86M604	60	45	460		80.0		52850	90.0	60900	510	
8M754	75	55	460		96.0		65900	109.0	76100	650	
8M1004	100	75	460		127.0		87600	145.0	101300	795	
8M1254	125	90	460		160.0		110800	180.0	126000	980	
8M1504	150	110	460		195.0		130700	220.0	152000	1060	
10M2004	200	150	460		235.0		171100	270.0	198600	1260	
					8" x 6"						
					8" x 8"						
					10" x 10"						

5-30 HP, 3 Phase 230 and 460 Motors have adjustable voltage feature, change voltage plugs to convert from 230V to 460V operation. Spare Change Plug Order No's are: PLUG-230V or PLUG-460V

6-10" THREE PHASE MOTORS

Motor Order No.	HP	kW	Volts	Phase	F.L. Efficiency %	KVA Code	Line - Line Resistance	Time Delay Fuse	
								Standard	Dual Element
6M058	5	3.7	200	3	75.9	K	0.618	50	25
6M052	5	3.7	230		76.8	K	0.806	45	20
6M054	5	3.7	460		76.8	K	3.050	25	10
6M078	7.5	5.5	200		77.9	J	0.504	80	40
6M072	7.5	5.5	230		78.5	J	0.651	70	30
6M074	7.5	5.5	460		78.5	J	2.430	35	15
6M108	10	7.5	200		79.7	K	0.315	100	50
6M102	10	7.5	230		79.3	K	0.448	90	40
6M104	10	7.5	460		79.3	K	1.619	45	20
6M158	15	11	200		81.7	K	0.213	175	70
6M152	15	11	230		81.7	K	0.312	150	60
6M154	15	11	460		81.7	K	1.074	70	30
6M208	20	15	200		82.7	J	0.189	200	90
6M202	20	15	230		83.2	J	0.258	175	70
6M204	20	15	460		83.2	J	0.861	90	35
6M258	25	18.5	200		82.0	K	0.146	250	110
6M252	25	18.5	230		83.0	K	0.210	225	90
6M254	25	18.5	460		83.0	K	0.666	110	45
6M308	30	22	200		82.9	J	0.119	300	125
6M302	30	22	230		82.5	K	0.166	250	100
6M304	30	22	460		82.5	K	0.554	125	50
6M404	40	30	460		84.0	H	0.446	175	70
66M504	50	37	460		82.5	J	0.388	225	90
86M504	50	37	460		84.1	H	0.331	200	90
86M604	60	45	460		84.7	H	0.278	250	110
8M754	75	55	460		84.9	H	0.218	300	125
8M1004	100	75	460		85.2	H	0.164	400	175
8M1254	125	90	460		84.2	G	0.132	500	225
8M1504	150	110	460		85.6	G	0.115	600	250
10M2004	200	150	460		87.2	F	0.0929	800	350

Use for CentriPro 6-10" Motors

75° C CABLE, 60 HZ (SERVICE ENTRANCE TO MOTOR) MAXIMUM LENGTH IN FEET

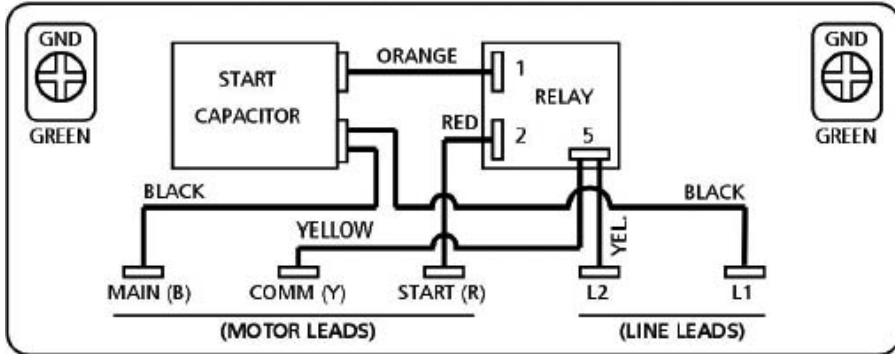
Motor Rating		75° C Insulation - AWG Copper Wire Size														
Volts	HP	14	12	10	8	6	4	2	1	1/0	2/0	3/0	4/0	250	350	500
230V 60 Hz. Single Phase	5	0	100	170	260	430	680	1060	1330	1660	2070	2560	3190			
	7.5	0	0	120	200	310	490	760	940	1150	1420	1740	2120			
	10	0	0	0	140	220	340	520	660	810	1020	1250	1540			
	15	0	0	0	0	140	230	370	450	560	700	870	1080			
230V 60 Hz. Three Phase 3 Lead	5	140	230	370	590	920	1430	2190	2690	3290	4030	4850	5870	6650	8460	
	7.5	0	150	250	410	640	1010	1540	1900	2310	2840	3400	4120	4660	5910	7440
	10	0	0	180	300	470	740	1140	1410	1720	2110	2550	3090	3510	4500	5710
	15	0	0	0	200	320	510	790	970	1180	1450	1760	2120	2410	3080	3900
	20	0	0	0	150	240	390	600	750	920	1130	1370	1670	1900	2440	3100
	25	0	0	0	0	190	310	490	600	730	900	1100	1330	1510	1950	2480
460V 60 Hz. Three Phase 3 Lead	30	0	0	0	0	0	250	390	490	590	730	890	1080	1230	1580	2030
	5	590	950	1500	2360	3700	5750									
	7.5	410	670	1060	1670	2610	4060	6200	7610							
	10	300	480	770	1220	1910	2980	4580	5630	6900						
	15	0	330	530	840	1320	2070	3160	3890	4760	5840	7040				
	20	0	0	400	640	1020	1600	2460	3020	3710	4560	5500				
	25	0	0	320	520	810	1280	1960	2410	2960	3640	4400	5350			
	30	0	0	0	410	650	1030	1570	1950	2390	2940	3560	4330	4940		
	40	0	0	0	320	500	790	1220	1500	1840	2270	2730	3320	3760		
	50	0	0	0	0	390	610	940	1170	1430	1750	2110	2560	2910	3700	4690
	60	0	0	0	0	0	540	830	1020	1250	1540	1860	2250	2550	3260	4120
	75	0	0	0	0	0	430	660	820	1000	1230	1480	1810	2050	2640	3360
	100	0	0	0	0	0	0	490	610	750	930	1120	1360	1540	1990	2520
	125	0	0	0	0	0	0	0	0	620	770	920	1040	1270	1620	2040
150	0	0	0	0	0	0	0	0	0	620	750	910	1040	1330	1680	
200	0	0	0	0	0	0	0	0	0	0	610	740	840	1070	1370	

Lengths **IN BOLD TYPE** meet the National Electric Code ampacity only for individual conductor 75° C cable, in free air or water. If other cable is used, the National Electric Code as well as the local codes should be observed.

NOTE: Since 60° C cable is no longer the industry standard and is not readily available, we have removed the chart.

1Ø THREE-WIRE CONTROL BOX WIRING CHARTS Quick Disconnect ½ - 1 HP

WIRING DIAGRAM



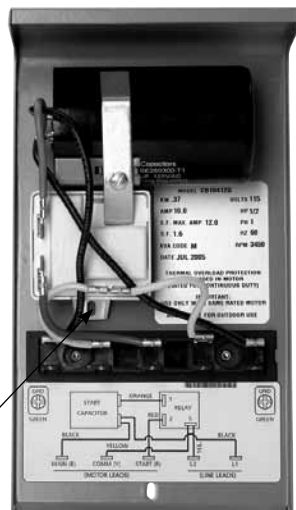
"K" REPAIR PARTS FOR QUICK DISCONNECT STYLE CONTROL BOXES

Order Number	HP	Volts	Capacitor Order Number	Start Capacitor Mfd	Capacitor Voltage / Quantity	Start Relay Order No.	Standard Circuit Breaker	Relay (Ohms) #2-#5
CB05411	.5	115	9K450	250 - 300	125 / 1	① 9K457 ② 9K566	30	700 - 1800
CB05412	.5	230	9K448	59 - 71	250 / 1	① 9K462 ② 9K567	15	4500 - 7000
CB07412	.75	230	9K449	86 - 103	250 / 1		20	
CB10412	1	230	9K447	105 - 126	250 / 1		25	

① First Design - Up to June 2009 - Relay tab on bottom, capacitor held by bracket and screw. See pictures below. 208 V use 9K461 relay.

② Current Design - Starting June 2009 - Relay tab on top and Ducati capacitors, all held by one screw. See pictures below. The relays are designed for operation in a specific orientation, therefore there are two different numbers now. 208 V use 9K568 relay.

First Design



Current Design



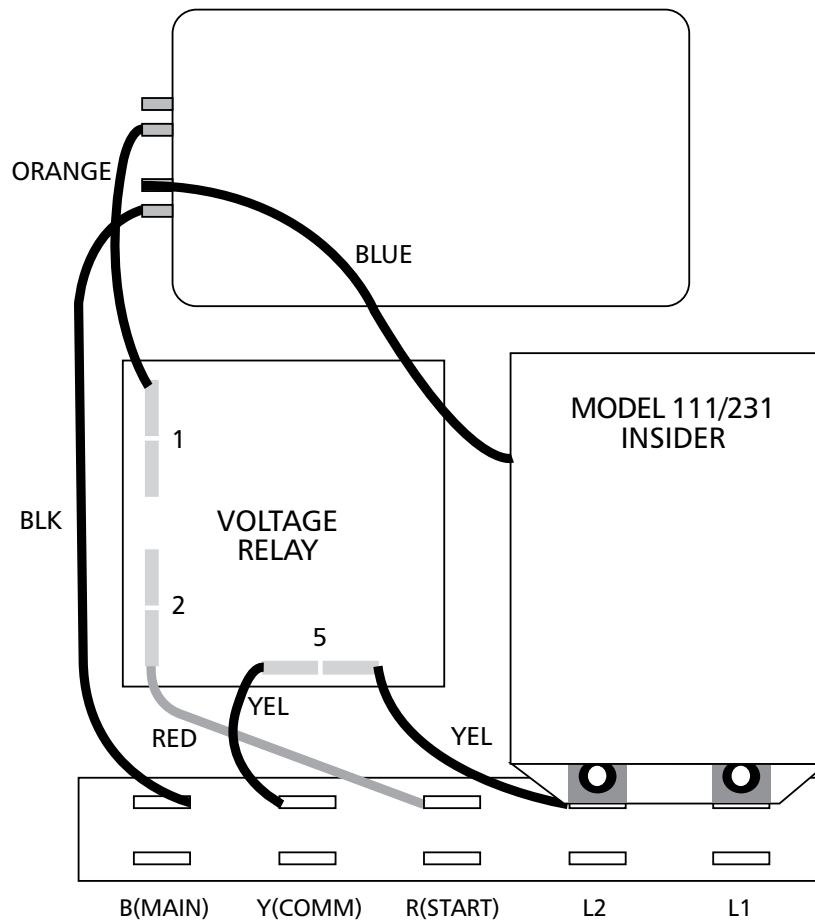
Tab Down ①

Tab Up ②

CENTRIPRO QUICK DISCONNECT WITH PUMPSAVER INSIDER

CONNECTIONS:

1. Remove the cover from the front of the 3-wire CentriPro control box.
2. Remove the yellow wire from the terminal strip at L2.
3. Remove the black wire connecting L1 and the capacitor completely from the box.
4. Press the PumpSaver® onto the L1 and L2 terminals.
5. Reconnect the yellow wire to L2 on the PumpSaver.
6. Connect the blue wire attached to the PumpSaver to the dual-lug terminal (with the black wire) of the capacitor.

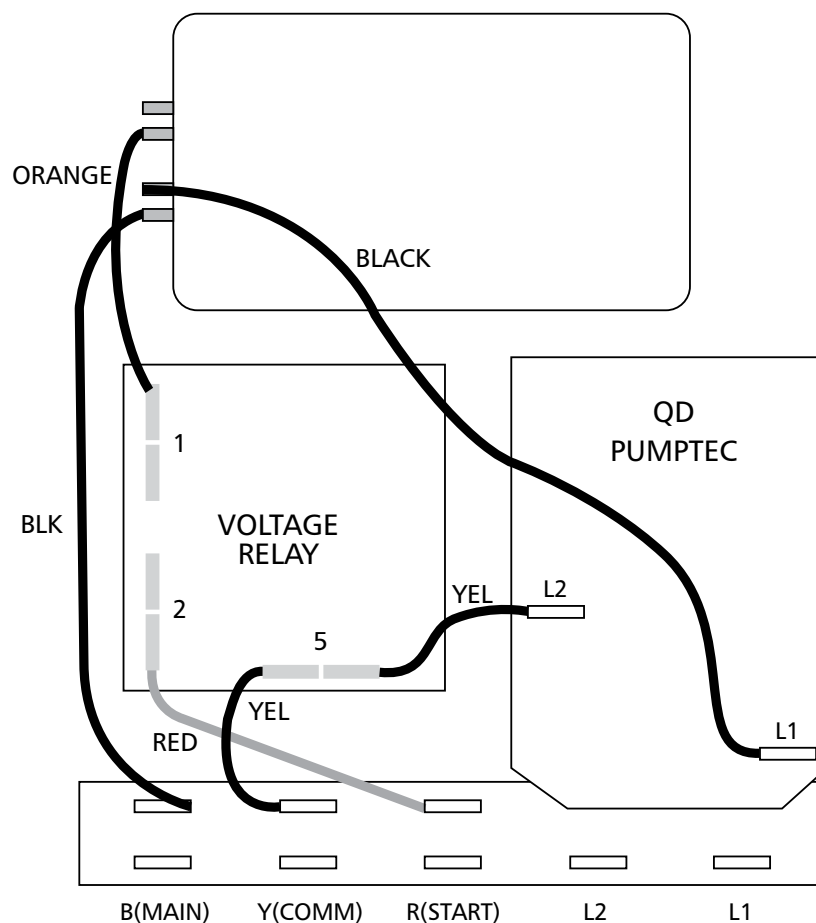


CENTRIPRO CONTROL BOX WITH INSIDER INSTALLED

CENTRIPRO QUICK DISCONNECT WITH QD PUMPTEC

CONNECTIONS:

1. Remove the cover from the front of the 3-wire CentriPro control box.
2. Remove the yellow wire from the terminal strip at L2.
3. Remove the black wire connecting L1 and the capacitor from L1.
4. Press the QD Pumptec onto the L1 and L2 terminals.
5. Reconnect the yellow wire to L2 on the QD Pumptec.
6. Connect the black wire from the capacitor to L1 on the QD Pumptec.



CENTRIPRO CONTROL BOX WITH PUMPTEC INSTALLED

CSCR 1Ø CONTROL BOXES CAPACITOR START - CAPACITOR RUN

FOR USE WITH 3 WIRE, 1Ø, 4" CENTRIPRO MOTORS AND 4" (6", 5 HP) FRANKLIN ELECTRIC MOTORS

Control Box Order Number	HP	KW	Volts	May Replace GP #	May Replace RJ #	May Replace FE #	Standard Circuit Breaker	Standard Fuse	Dual Element Time Delay Fuse	Enclosure Dimensions W x D x H (in)	Shipping Wt. (lbs)
CB05412CR	0.5	.37	230	①	50F311CB S50N1CB, A50N1CB	2824055015①	15	20	10	8.1 x 5.9 x 9.3	7
CB07412CR	.75	.55	230	①	75F311CB S75N1CB, A75N1CB	2824075015①	20	25	15	8.1 x 5.9 x 9.3	7
CB10412CR	1	.75	230	①	S100F311CB S100N1CB, A100N1CB	2824085015①	25	30	20	8.1 x 5.9 x 9.3	7
CB15412CR	1.5	1.1	230	00074	150F311CB S150N1CB, A150N1CB	282 3008 110	30	35	20	8.1 x 5.9 x 9.3	7
CB20412CR	2	1.5	230	00084	200F311CB S200N1CB, AS200T1CB	282 3018 110	25	30	20	8.1 x 5.9 x 9.3	7
CB30412CR	3	2.2	230	00094	300F311CB S300N1CB	282 3028 110	40	45	30	8.1 x 5.9 x 9.3	7
CB50412CR	5	3.7	230	00104	500F311CB S500N1CB	282 1138 110	60	80	45	8.1 x 5.9 x 9.3	8

"K" REPAIR PARTS

Control Box Order Number	HP	Volts	Old Control Box Order Number	Capacitor Repair Part Number	Capacitor Mfd.	Capacitor Type	Capacitor Voltage	Capacitor Quantity	Overload Order Number ②	Start Relay Order Number
CB05412CR	.5	230	①	9K465	43-53	Start	250	1	NA	9K458
				9K466	15	Run	370			
CB07412CR	.75	230	①	9K448	59-71	Start	250	1	N/A	9K458
				9K467	23	Run	370			
CB10412CR	1	230	①	9K449	86-103	Start	250	1	N/A	9K458
				9K467	23	Run	370			
CB15412CR	1.5	230	00074	9K447	105-126	Start	250	1	9K471	9K458
				9K452	10	Run	370			
CB20412CR	2	230	00084	9K447	105-126	Start	250	1	9K481	9K458
				9K451	20	Run	370			
CB30412CR	3	230	00094	9K453	208-250	Start	250	1	9K482	9K459
				9K454	45	Run	370			
CB50412CR	5	230	00104	9K455	270-324	Start	330	1	9K483	
				9K456	40	Run	370			

① New ½ - 1 HP CSCR control box is now in a larger enclosure, it is not in a quick disconnect style enclosure.

② Overloads for 2, 3 and 5 HP CSCR boxes are sold prewired and soldered as an assembly. No field soldering or wiring required.

Order Number 9K479 for 200/208 Volt Start Relay.

MAGNETIC CONTACTOR (MC) CONTROL BOXES

FOR USE WITH 3 WIRE, 1Ø, 4" CENTRIPRO MOTORS AND 4" (6", 5 HP) FRANKLIN ELECTRIC MOTORS

Control Box Order Number	HP	KW	Volts	Replaces GP #	Replaces RJ #	Replaces FE #	Standard Circuit Breaker	Standard Fuse	Dual Element Time Delay Fuse	Enclosure Dimensions W x D x H (in)	Shipping Wt. (lbs)
CB15412MC	1.5	1.1	230	No Equal	No Equal	No Equal	30	35	20	8.1 x 5.9 x 9.3	8
CB20412MC	2	1.5	230	00084MC	No Equal	2823018310	25	30	20		
CB30412MC	3	2.2	230	00094MC	S300N1CBC	2823028310	40	45	30		
CB50412MC	5	3.7	230	00104MC	S500N1CBC	2821139310	60	80	45	11 x 6.7 x 12.5	15

"K" REPAIR PARTS

Control Box Order Number	HP	KW	Volts	Capacitor Repair Part Number	Capacitor Type	Capacitor Mfd.	Capacitor Voltage	Capacitor Quantity	Contactor Order Number	Overload Order Number	Start Relay Order Number	
CB15412MC	1.5	1.1	230	9K447	Start	105-126	250	1	9K485	9K493	9K458	
				9K452	Run	10	370			9K480 (S)		
CB20412MC	2	1.5		9K447	Start	105-126	250			9K472 (M)		
				9K451	Run	20	370			9K473 (S)		
CB30412MC	3	2.2		9K453	Start	208-250	250		9K474 (M)	9K459		
				9K454	Run	45	370		9K475 (S)			
CB50412MC	5	3.7		9K455	Start	270-324	330		1		9K486	9K476 (M)
				9K456	Run	40	370		2			

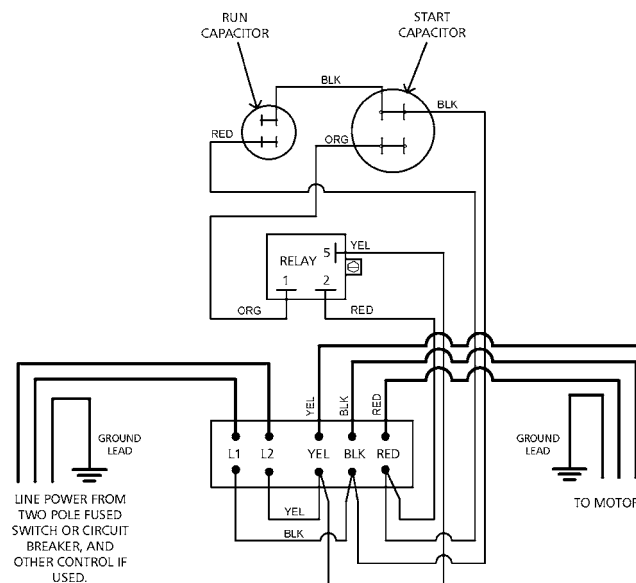
Repair parts above are compatible with and replace parts in old Goulds Pumps or Franklin Electric control boxes.

Order Number 9K479 for 200/208 Volt Start Relay.

CSCR AND MC CONTROL BOX CHECK OUT

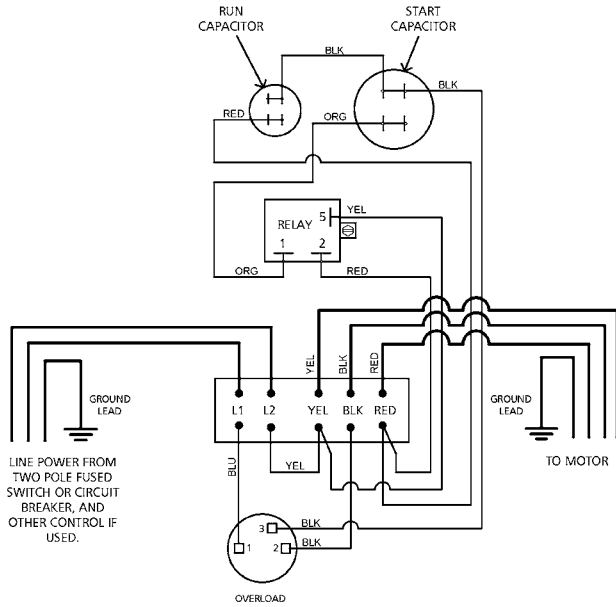
CHECKING PROCEDURE: BE SURE POWER IS TURNED OFF.

- A. OVERLOAD (PUSH RESET BUTTONS TO MAKE SURE CONTACTS ARE CLOSED.)
 1. OHMMETER SETTING: (R X 1)
 2. TERMINAL CONNECTIONS: OHMMETER LEADS TO OVERLOAD TERMINALS.
 3. OHMMETER READING: SHOULD NOT BE OVER 0.5 OHMS.
- B. CAPACITOR (DISCONNECT ONE LEAD FROM EACH CAPACITOR PRIOR TO CHECKING.)
 1. OHMMETER SETTING: (R X 1000).
 2. TERMINAL CONNECTIONS: INDIVIDUAL CAPACITOR TERMINALS.
 3. OHMMETER READING: POINTER SHOULD SWING TOWARD ZERO THEN DRIFT BACK TOWARD INFINITY.
- C. RELAY COIL (DISCONNECT LEAD FROM TERMINAL 5)
 1. OHMMETER SETTING: (R X 1000).
 2. TERMINAL CONNECTIONS: "5" AND "2" ON RELAY.
 3. OHMMETER READING: 4500-7000 OHMS.
- D. RELAY CONTACT (DISCONNECT LEAD FROM TERMINAL 1)
 1. OHMMETER SETTING: (R X 1).
 2. TERMINAL CONNECTIONS; "1" AND "2" ON RELAY.
 3. OHMMETER READING: SHOULD BE ZERO.
- E. MAGNETIC CONTACTOR ONLY (DISCONNECT 1 COIL LEAD)
 1. OHMMETER SETTING: (R X 100).
 2. CHECK COIL RESISTANCE: 180-1400 OHMS.
 3. REMOVE CONTACT COVER AND INSPECT CONTACTS.

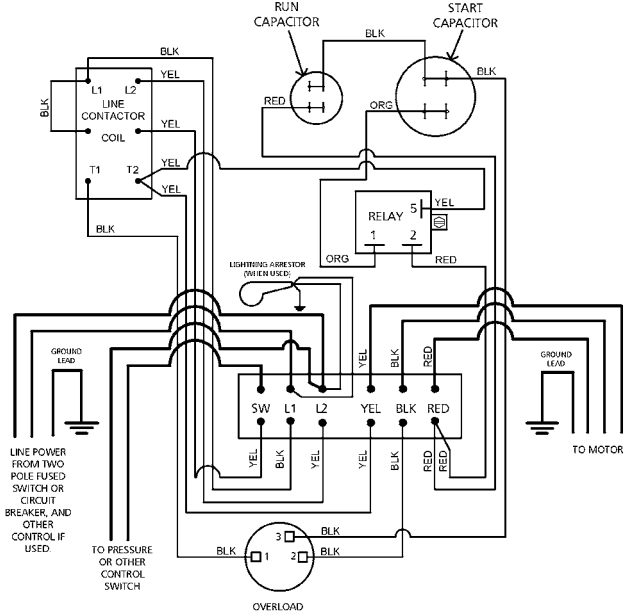
1/2, 3/4 AND 1 HP - 1Ø CSCR CONTROL BOX WIRING DIAGRAMS

1Ø CONTROL BOX WIRING DIAGRAMS

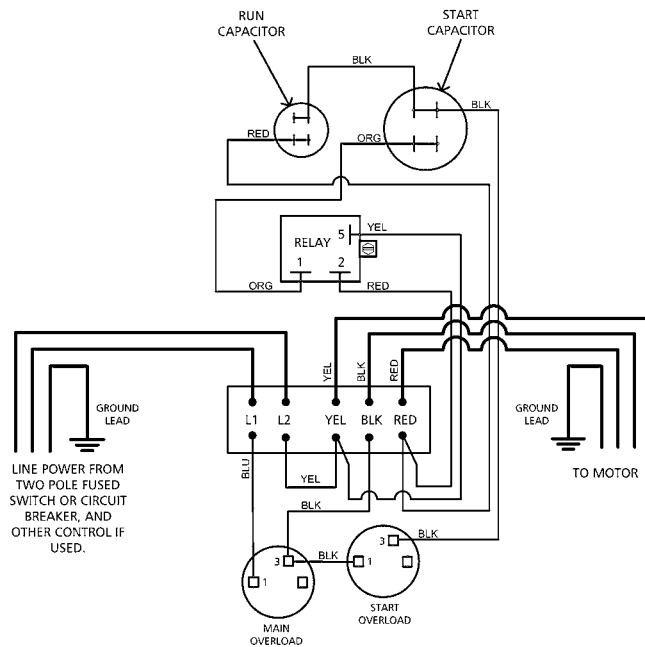
1½ HP STANDARD



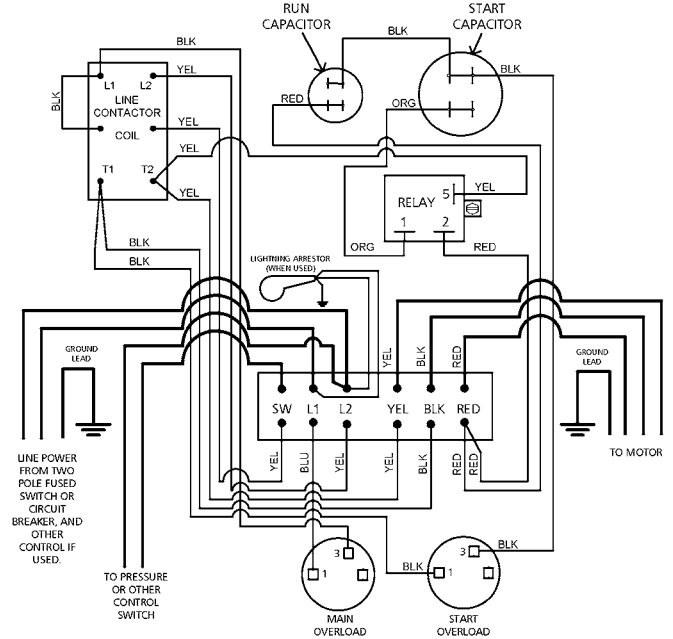
1½ HP WITH MAGNETIC CONTACTOR



2 HP STANDARD

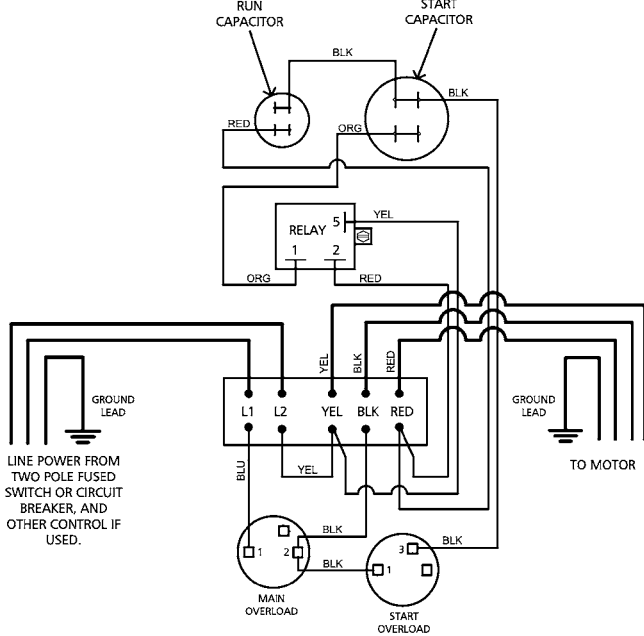


2 HP WITH MAGNETIC CONTACTOR

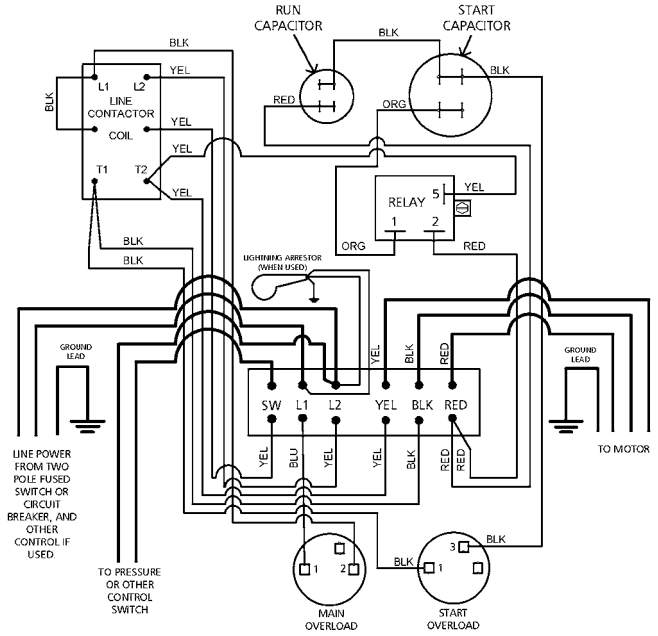


1Ø CONTROL BOX WIRING DIAGRAMS

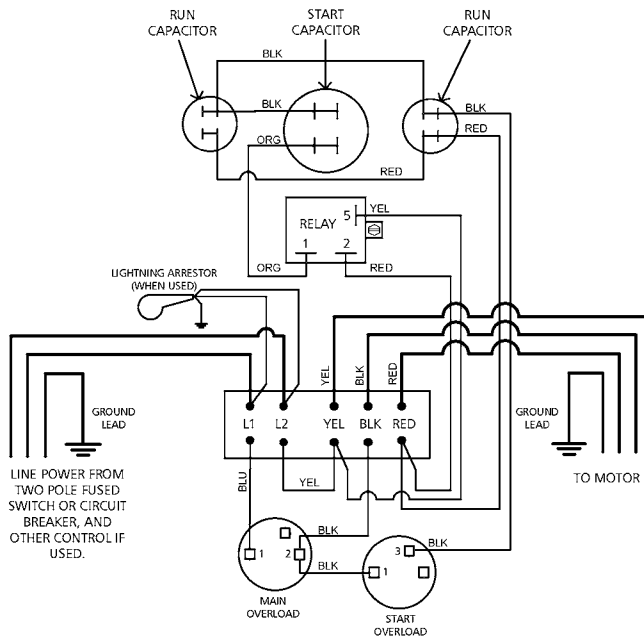
3 HP STANDARD



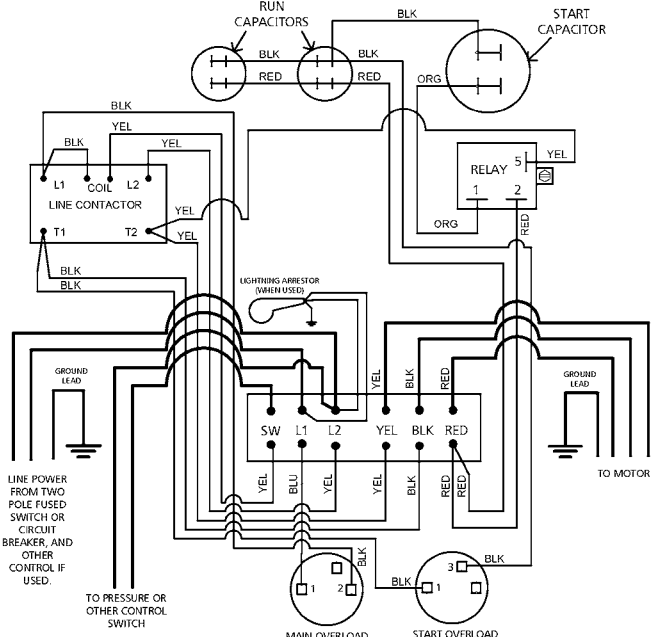
3 HP WITH MAGNETIC CONTACTOR



5 HP STANDARD



5 HP WITH MAGNETIC CONTACTOR



PUMP TROUBLESHOOTING



DISCONNECT AND LOCKOUT ELECTRICAL POWER BEFORE ATTEMPTING ANY SERVICE. FAILURE TO DO SO CAN CAUSE SHOCK, BURNS OR DEATH.

Symptom	Probable Cause	Recommended Action
PUMP MOTOR NOT RUNNING	1. Motor thermal protector tripped a. Incorrect control box b. Incorrect or faulty electrical connections c. Faulty thermal protector d. Low voltage e. Ambient temperature of control box/ starter too high f. Pump bound by foreign matter g. Inadequate submergence	1. Allow motor to cool, thermal protector will automatically reset a - e. Have a qualified electrician inspect and repair, as required f. Pull pump, clean, adjust set depth as required g. Confirm adequate unit submergence in pumpage
	2. Open circuit breaker or blown fuse	2. Have a qualified electrician inspect and repair, as required
	3. Power source inadequate for load	3. Check supply or generator capacity
	4. Power cable insulation damage 5. Faulty power cable splice	4 - 5. Have a qualified electrician inspect and repair, as required
LITTLE OR NO LIQUID DELIVERED BY PUMP	1. Faulty or incorrectly installed check valve	1. Inspect check valve, repair as required
	2. Pump air bound	2. Successively start and stop pump until flow is delivered
	3. Lift too high for pump	3. Review unit performance, check with dealer
	4. Pump bound by foreign matter	4. Pull pump, clean, adjust set depth as required
	5. Pump not fully submerged	5. Check well recovery, lower pump if possible
	6. Well contains excessive amounts of air or gases	6. If successive starts and stops does not remedy, well contains excessive air or gases
	7. Excessive pump wear	7. Pull pump and repair as required
	8. Incorrect motor rotation - three phase only.	8. Reverse any two motor electrical leads

AQUAVAR SOLO DATA

CONTROLLER, BREAKER, GENERATOR SIZING

Motor		Controller Model ^②				Circuit Breaker ^③	Generator (VA) ^④	① Supply voltage must be 196 VAC - 265 VAC. ② Shaded areas indicate which controller models can be used with which motors. Lighter shading indicates combinations where controller will limit peak performance to 85% of catalog value for pump/motor. ③ Circuit Breaker or Dual Element Time Delay Fuse Size (Amps) protecting branch circuit supplying controller. ④ Minimum size of single phase 240 V generator required.	
HP	Voltage ^①	1AS15	3AS20	3AS30	3AS50				
1/2	230					15	2200		
	200						2900		
3/4	230						20		3500
	200								4400
1	230						30		6100
	200								8100
1 1/2	230					40			13300
	200								
2	230					50			
	200								
3	230								
	200								
5	230								
	200								

WIRE SIZING - MAXIMUM CABLE LENGTHS IN FEET TO LIMIT VOLTAGE DROP TO 5% FOR 230 V SYSTEMS^⑤

Service Entrance to Controller

Controller Input	Motor HP	Copper Wire Size 75°C Insulation Exposed to a Maximum of 50°C (122°F) Ambient Temperature ^⑥																		
		14	12	10	8	6	4	3	2	1	1/0	2/0	3/0	4/0	250	300	350	400	500	
230V 1PH	1/2	366	583	925	1336	2107	3345	4175	5267	6637	8364									
	3/4	279	445	706	1020	1608	2552	3186	4019	5065	6383	8055								
	1	226	360	571	824	1300	2064	2576	3250	4095	5161	6513	8201							
	1 1/2	*	286	455	657	1036	1644	2052	2589	3262	4111	5188	6533	8236	9710					
	2	*	*	331	478	754	1197	1495	1886	2376	2995	3779	4759	5999	7073	8455	9852			
	3	*	*	246	355	561	890	1111	1401	1766	2225	2808	3536	4458	5256	6283	7321	8343		
	5	*	*	*	218	343	545	680	858	1081	1363	1720	2165	2730	3219	3847	4483	5109	6348	

Controller to Motor

Controller Output	Motor HP	Copper Wire Size 75°C Insulation Exposed to a Maximum of 50°C (122°F) Ambient Temperature ^⑥																		
		14	12	10	8	6	4	3	2	1	1/0	2/0	3/0	4/0	250	300	350	400	500	
230V 3PH	1/2	905	1442	2290	3306	5213	8276													
	3/4	690	1100	1748	2523	3978	6316	7884	9945											
	1	558	890	1413	2040	3216	5106	6375	8041											
	1 1/2	445	709	1126	1625	2562	4068	5078	6406	8072										
	2	324	516	820	1184	1866	2963	3699	4666	5879	7410	9351								
	3	241	384	609	880	1387	2202	2749	3467	4369	5506	6949	8750							
	5	*	235	373	539	849	1348	1683	2123	2675	3372	4255	5358	6755	7964	9520				

⑤ Reduce lengths by 13% for 200 V systems. ⑥ Lengths in bold require 90°C wire. Shading indicates 40° C maximum ambient. *Wire does not meet the N.E.C. ampacity requirement.

The lengths in each of the Wire Sizing tables represent 100% of the allowable voltage drop when motor is running at full load. When sizing wire, the voltage drop of each wire segment must be included. The total must not exceed 100% of the allowable drop. Take for example a 1.5 HP motor with a distance from Service Entrance to Controller of 100' and 500' between the Controller and Motor.

- Service Entrance to Controller = 100' of 10 AWG (100/455) = 22 % (455' is from the S.E. to Controller chart)
 - Controller to Motor = 500' of 12 AWG (500/709) = 71 % (709' is from the Controller to Motor chart)
- Total Drop (must be ≤ 100%) 93 %

If the distance from the Controller to Motor was 600' (600/709) = 85% + 22% = 107%, we would need to use #10 wire for that segment, ex. 600/1126 = 53% + 22% (for 100' of #10) = 75% which is acceptable. It is also acceptable to use different wire sizes for the Buried and Well sections of wire.

Residential Water Systems

AQUAVAR SOLO AND BALANCED FLOW REPAIR PARTS

(See Ecom website or PRP, Repair Part Price Book, for Current Prices)

Order Number	Description
6K210	Gauge Guard - Transducer Protector
9K518	100 PSI Transducer 0.5 - 4.5V
9K519	200 PSI Transducer 0.5 - 4.5V
9K520	300 PSI Transducer 0.5 - 4.5V
9K523	10 Bar Transducer 0.5 - 4.5V (145 PSI)
9K524	SOLO and Balanced Flow Screw Repair Kit
9K525	SOLO and Balanced Flow Fan Repair Kit
9K545	10' Transducer Cable with Ground and GRN. Clamp
9K546	15' Transducer Cable with Ground and GRN. Clamp
9K547	25' Transducer Cable with Ground and GRN. Clamp
9K548	50' Transducer Cable with Ground and GRN. Clamp
9K549	100' Transducer Cable with Ground and GRN. Clamp
9K576	150' Transducer Cable with Ground and GRN. Clamp
9K577	200' Transducer Cable with Ground and GRN. Clamp
9K550	AquaBoost UIB
9K552	Balanced Flow and Aquavar SOLO UIB
9K575	Balanced Flow and Aquavar SOLO (all sizes) R05 Programmer
9K585	Water Sensor with Relay Contact
9K589	Over-Pressure Switch, 60-120 PSI, Balanced Flow or S-Drive

SERVICE FACTOR AMPS ALL MOTORS

HP	230 Volt									200 Volt	
	1Ø 2-Wire			1Ø 3-Wire			3Ø			3Ø	
	CentriPro ¹	Franklin	Grundfos	CentriPro	Franklin	Grundfos	CentriPro	Franklin	Grundfos	CentriPro	Franklin
½	4.7/4.7	6	6	6.3	6	6	N/A	N/A	N/A	N/A	N/A
¾	6.4/6.2	8	8.4	8.3	8	8.4	3.9	3.8	N/A	4.5	4.4
1	9.1/8.1	9.8	9.8	9.7	9.8	9.8	4.7	4.7	N/A	5.5	5.4
1½	11.0/10.4	13.1 ²	13.1 ²	11.1	11.5	11.6	6.1	5.9	7.3	7.2	6.8
2	N/A	N/A	N/A	12.2	13.2 ²	13.2 ²	7.6	8.1	8.7	8.8	9.3
3	N/A	N/A	N/A	N/A	N/A	N/A	10.1	10.9	12.2	12	12.5
5	N/A	N/A	N/A	N/A	N/A	N/A	17.5	17.8	19.8 ²	20.2 ²	20.5 ²

1. CentriPro 2-Wire motors have Generation 1 and Generation 2 amp ratings, see motor nameplate or motor data sticker that was supplied with motor.

2. Amps are higher than controller overload range - use of these motors will current limit and provide reduced performance.

THREE PHASE MOTOR OPERATION ON VFD'S

Variable Frequency Drive's (VFD) can be used with the 3 phase CentriPro motor provided the operator meets the following criteria:

- 1) Maintain frequencies from 30HZ - 60HZ. Do not operate below 30HZ for more than 1 second. 80 HZ operation can be used.
- 2) Ensure VFD is a PWM, IGBT, Volts per Hz scalar type and does not produce more than 500 volts dV/dT.
- 3) Use a load reactor (load filter) of 3% impedance or more on motor lead lengths of 50 wire feet or more. The Balanced Flow product already includes this in all models.
- 4) Follow all NEC, state, local or provincial electrical codes for Power Conversion Equipment wiring and installation.
- 5) Provide appropriate dedicated short circuit protection. Properly sized fuses or breaker disconnects.
- 6) Size wire according to NEC, state, local or provincial codes OR refer to manufacturers recommendation for wiring sizing.
- 7) Ensure proper flow around motor.
- 8) Maintain proper grounding of the motor back to drive and service entrance. Common ground throughout system!

The following are some installation issues we have seen on returned Balanced Flow controllers which factory re-testing has shown to operate perfectly:

Symptom

- Cycling, won't turn off, poor pressure control
- Cycling and wide pressure swings
- Poor performance

Cause

- Incorrect tank pre-charge pressure
- Larger than recommended tank
- Motor running backwards

Performance Improvement Suggestions:

- Installing a spring check valve on the pump side of the tank can reduce time to standby when flow stops.
- Poor pressure control can be caused by a clogged sensor. Not an issue for sensors 4/09 and later.
- Updating controllers built prior to 4/09 with latest Software, UIB and Sensor will improve reliability and performance.
- Updating software in controllers built after 4/09 may improve performance.
- Many generators produce voltages that exceed the 264VAC max rating of the controller. Test the generator output voltage when no load is connected. If the voltage exceeds 264VAC, do not use it with the BF controller!

AQUAVAR SOLO (formerly known as Balanced Flow) TROUBLESHOOTING

Section 3 Installer Pre-Start Selections is used to indicate system status i.e. running, stopped, or faulted. When faulted, the status light will be red. The error code is the number of quick flashes followed by a 1 second pause. The number of flashes can be any number from 2 to 9. The error code will be repeated until cleared. Some errors will clear themselves with time. Others must be cleared manually by turning the power off for 1 minute. The following table describes the various errors that can occur.

FAULT BLINK CODES

NO LIGHT		
Flashes	Controller Status	Description
None	Low/No Input Voltage	Check the input voltage to the controller. Measure the voltage between L1 and L2 using an AC Voltmeter. This voltage should be greater than 190Vac.
None	Controller is in Program Mode	<p>Check the position of the "RUN/PRG Jumper". The "RUN/PRG Jumper" is located in the upper left hand corner of the controller. Refer to Figure 3.</p> <p>Placing this jumper in "PRG" mode (Program Mode) allows the user to update the controller's software through the the controller's software. When this jumper is in "RUN" mode (Run Mode), the controller will operate normally.</p> <p>If the controller is powered while in Program Mode, the status indicator will not turn on.</p> <p>To return the controller to Run Mode turn the power off to the controller and wait 5 minutes. Then move the "RUN/PRG Jumper" to "RUN". Apply power to the controller. The controller is now in Run Mode.</p>
GREEN LIGHT CODES		
Flashes	Controller Status	Description
Constant	Standby/Low Voltage	Constant Green Light indicates the pump is off. The system is in Standby mode when there is no flow in the system and the pressure setting has been reached. The system is in a Low Voltage condition when the line input voltage drops below 190VAC.
Blinking	Pump Running	Flashing Green Light indicates the pump is running.
RED LIGHT CODES		
Flashes	Controller Status	Fault Description
	Controller Action	
Constant	Controller Error	Internal controller fault. Replace controller.
	To clear the fault, turn off power to the controller, wait 1 minute, turn on power to the controller. If fault persists contact installer.	

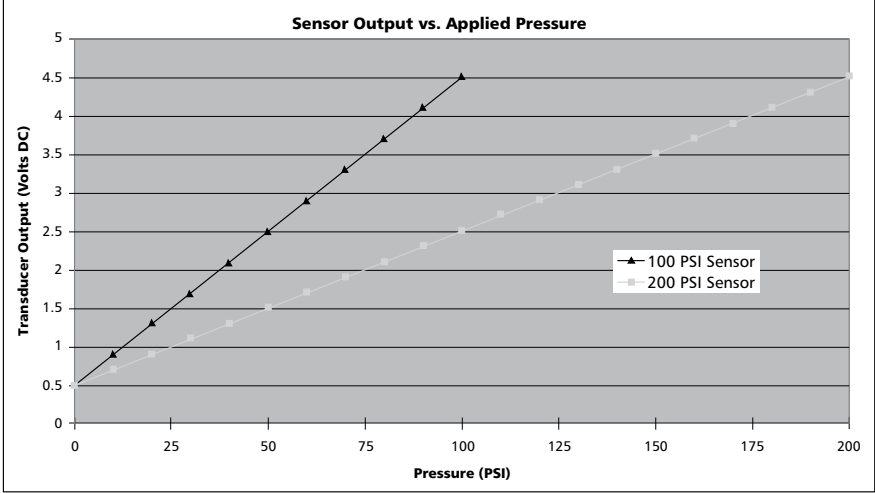
AQUAVAR SOLO (formerly known as Balanced Flow) TROUBLESHOOTING

FAULT BLINK CODES (continued)

RED LIGHT CODES		
Flashes	Controller Status	Description
2 Blinks	<p style="text-align: center;">Dry Well</p> <hr style="width: 100%;"/> <p>The controller will automatically restart according to the chart shown on the right. If fault persists contact installer.</p>	<p>This fault can be caused by:</p> <ul style="list-style-type: none"> • Water supply level in well falls below suction inlet of pump. • Plugged suction screen. • Restriction in pipe between pump and pressure sensor. • Air bound pump - see "Purging System" • Incorrect setting of "MAXIMUM SPEED" switch. Be sure to set the "MAXIMUM SPEED" switch to 80 Hz when using mismatched pumps (water ends) and motors. • Incorrect setting of "MOTOR OVERLOAD SETTING (SFA)" switch. Ensure the Motor Overload Setting (SFA) Switch is not set higher than the Service Factor Amps (SFA) listed on the motor nameplate. • Need for Dry Well Power Calibration. Perform Dry Well Power Calibration as described in ADVANCED SETTINGS section. <p>In systems where the motor operates at less than Service Factor Amps the controller may show a false "dry well" fault. See Dry Well Sensitivity Section.</p> <p>If problems persists, please verify supply capacity. The controller will automatically restart according to the chart below.</p> <p><u>Dry Well Fault Reset table:</u></p> <p style="padding-left: 20px;">Fault 1 (Start Point) - resets after 1 minute Fault 2 - resets after 10 minutes Fault 3 - resets after 20 minutes Fault 4 - resets after 30 minutes Fault 5 - resets after 60 minutes and every 60 minutes thereafter</p> <p>Dry well can be reset by pressing both pushbuttons at the same time or by turning off the power. A fixed, 1 minute, restart time is also available. See ADVANCED SETTINGS section.</p>
3 Blinks	<p style="text-align: center;">Sensor Fault</p> <hr style="width: 100%;"/> <p>The controller will not run if the signal from the sensor is disconnected or out of tolerance. The controller will automatically restart when the signal is within tolerance. If fault persists contact installer.</p>	<p>This fault can be caused by:</p> <ul style="list-style-type: none"> • Disconnected sensor. Disconnect sensor from sensor cable connector and reconnect to ensure a good connection. • Disconnected sensor cable lead inside the controller. Check for loose wires where the sensor cable connects to the circuit board by tugging on each wire. • Broken wire in the sensor cable. • Miswired sensor cable. Check that the wires are connected to the correct terminals on the sensor connector. The correct location of the wires is indicated on the circuit board. B=Black, R=Red, W=White. • Failed sensor. With the sensor cable connected to the circuit board, measure the DC voltage between the black and white wires of the sensor cable at the sensor connector. The voltage measured should be between 0.5Vdc and 4.5Vdc depending on the system pressure, see chart below. • A vacuum on the sensor (transducer) of 17" Hg or more will cause a sensor fault, eliminate the vacuum.


AQUAVAR SOLO (formerly known as Balanced Flow) TROUBLESHOOTING

FAULT BLINK CODES (continued)

RED LIGHT CODES		
Flashes	Controller Status	Description
3 Blinks	Sensor Fault <i>(continued)</i>	
4 Blinks	<p style="text-align: center;">Over Current</p> <hr style="width: 100%;"/> <p>The controller will try to restart the motor three times before displaying this fault. To clear the fault, turn off power to the controller, wait 1 minute, turn on power to the controller. If fault persists contact installer.</p>	<p>This fault can be caused by:</p> <ul style="list-style-type: none"> • Installing a 1Ø motor - system requires a 3Ø, 200 or 230 V motor. • Mechanical binding from debris in pump. • Electrical failure of the motor. • Incorrect setting of "MOTOR OVERLOAD SETTING (SFA)" switch. A false "bound pump" error will be displayed if the switch is set too low. • Pump wire insulation breaking down. Check insulation with megger. <p>Verify the error by turning power to controller off for 1 minute and then on. Pump/Motor must be checked if fault persists.</p>
5 Blinks	<p style="text-align: center;">Short Circuit</p> <hr style="width: 100%;"/> <p>If this fault is detected while the pump is running, the controller will attempt to restart three times before displaying this fault. To clear the fault, turn off power to the controller, wait 1 minute, turn on power to the controller. If fault persists contact installer.</p>	<p>This fault can be caused by:</p> <ul style="list-style-type: none"> • Electrical failure of the motor. • Electrical failure of wiring between controller and motor. <p>Verify the error by turning power to controller off for 1 minute and then on. If error persists, motor and wiring between controller and motor must be checked. Turn power off for 1 minute. Remove the three motor wires from the terminal block. Check wiring and motor for shorting phase to phase and phase to ground. Refer to motor's manual for information on resistance readings.</p>

AQUAVAR SOLO (formerly known as Balanced Flow) TROUBLESHOOTING

FAULT BLINK CODES (continued)

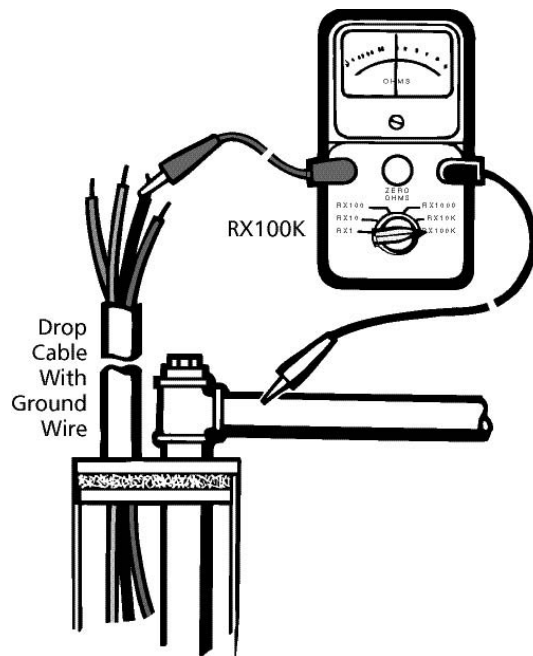
RED LIGHT CODES		
Flashes	Controller Status	Description
6 Blinks	<p style="text-align: center;">Ground Fault</p> <hr style="border: none; border-top: 1px dashed black;"/> <p>The controller will not restart if displaying this fault. To clear the fault, turn off power to the controller, wait 1 minute, turn on power to the controller. If fault persists contact installer.</p>	<p> WARNING This device does not provide personnel protection against shock. This function is intended for equipment protection only.</p> <p>This fault can be caused by:</p> <ul style="list-style-type: none"> • Electrical failure of the motor • Electrical failure of wiring between controller and motor. • Miswiring of motor cable. <p>Verify the error by turning power to controller off for 1 minute and then on. If error persists, motor and wiring between controller and motor must be checked. Turn power off and wait 1 minute. Remove the three motor wires and ground wire from the terminal block. Check wiring and motor for shorting phase to ground using a megohmmeter (“megger”). A reading less than 200K Ohms indicates faulty insulation in the motor cable or motor. Test each to determine fault location.</p>
7 Blinks	<p style="text-align: center;">Temperature</p> <hr style="border: none; border-top: 1px dashed black;"/> <p>The controller will automatically restart when the temperature reaches an acceptable level. If fault persists contact installer.</p>	<p>This fault can be caused by:</p> <ul style="list-style-type: none"> • High ambient temperature. The maximum ambient temperature rating is 122°F (50°C). • Low ambient temperature. The minimum ambient temperature rating is 14°F (-10°C). <p>Check for a fan failure. The fan will turn on when the temperature inside the controller reaches 140°F (60°C). The fan will turn on for 1 second each time the controller starts the motor. If the fan never turns on, check fan connections and replace as needed. Ensure that the external fan intake filter is not blocked or clogged. It can be removed for cleaning and replacements are available.</p>
8 Blinks	<p style="text-align: center;">Open Lead</p> <hr style="border: none; border-top: 1px dashed black;"/> <p>The controller will not restart if displaying this fault. To clear the fault, turn off power to the controller, wait 1 minute, turn on power to the controller. If fault persists contact installer.</p>	<p>This fault can be caused by:</p> <ul style="list-style-type: none"> • Disconnected or broken wire between the controller and motor. <p>Verify the error by turning power to controller off for 1 minute and then on. If error persists, motor and wiring between controller and motor must be checked. Turn power off for 5 minutes. Remove the three motor wires from the terminal block. Using an ohmmeter, measure the resistance from phase to phase. A disconnected or broken wire will be indicated by a high resistance reading (20 ohms or higher).</p>
9 Blinks	<p style="text-align: center;">Low Pressure Cut-Off</p> <hr style="border: none; border-top: 1px dashed black;"/> <p>The controller will not restart if displaying this fault. To clear the fault, turn off power to the controller, wait 1 minute, turn on power to the controller. If fault persists contact installer.</p>	<p>This fault can be caused by:</p> <ul style="list-style-type: none"> • Pressure 20 PSI below set point for 30 seconds. May be a broken pipe or tripped pressure relief valve. If 20 PSI or more pressure drop for 30 seconds is normal for the system, switch the broken pipe protection off or change system to prevent the pressure drop.

MEASURING INSULATION RESISTANCE

1. Set the scale lever to R x 100K (R x 100,000) and set the ohmmeter on zero.

⚠ WARNING **Open (turn off) master breaker or disconnect all leads from starter or control box to avoid damage to meter or electric shock hazard.**

2. Connect an ohmmeter lead to any one of the motor leads and the other to the metal drop pipe. If the drop pipe is plastic, connect the ohmmeter lead to the metal well casing or ground wire.



Megger...



What It Means -

1. If the ohm value is normal, the motor windings are not grounded and the cable insulation is not damaged.
2. If the ohm value is below normal, either the windings are grounded or the cable insulation is damaged. Check the cable at the well seal as the insulation is sometimes damaged by being pinched.

TABLE 1 - Normal Ohm and Megohm Values (Insulation Resistance) Between All Leads and Ground

Insulation resistance does not vary with rating. All motors of all HP, voltage and phase rating have similar values of insulation resistance.

Condition of Motor and Leads	Ohm Value	Megohm Value
A new motor (without drop cable).	20,000,000 (or more)	20.0
A used motor which can be reinstalled in the well.	10,000,000 (or more)	10.0
Motor in Well. Ohm readings are for drop cable plus motor. A new motor in the well.	2,000,000 (or more)	2.0
A motor in the well in reasonably good condition.	500,000 - 2,000,000	0.5 - 2.0
A motor which may have been damaged by lightning or with damaged leads. Do not pull the pump for this reason.	20,000 - 500,000	0.02 - 0.5
A motor which definitely has been damaged or with damaged cable. The pump should be pulled and repairs made to the cable or the motor replaced. The motor will not fail for this reason alone, but it will probably not operate for long.	10,000 - 20,000	0.01 - 0.02
A motor which has failed or with completely destroyed cable insulation. The pump must be pulled and the cable repaired or the motor replaced.	Less than 10,000	0 - 0.01

MOTOR WINDING RESISTANCE CHECKOUT

Measuring Winding Resistance

1. Set the scale lever to R x 1 for values under 10 ohms. For values over 10 ohms, set the scale lever to R x 10. Zero balance the ohmmeter as described earlier on page 11.



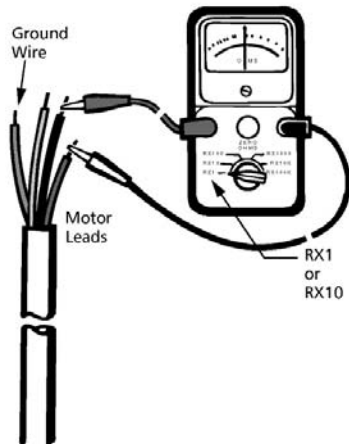
Open master breaker and disconnect all leads from control box to pressure switch (Q-D type control, remove lid) to avoid damage to meter or electric shock hazard.

2. Connect the ohmmeter leads as shown below.

TABLE 2 - Cable Resistance - Copper

Cable Size	DC Resistance of Cable per 100 Foot Length Ohms per Pair of Leads
14	.544
12	.338
10	.214
8	.135
6	.082
4	.052
2	.032

If aluminum cable is used the readings will be higher. Divide the ohm readings on this chart



by 0.61 to determine the actual resistance of aluminum cable.

See motor data pages for motor resistance ratings.



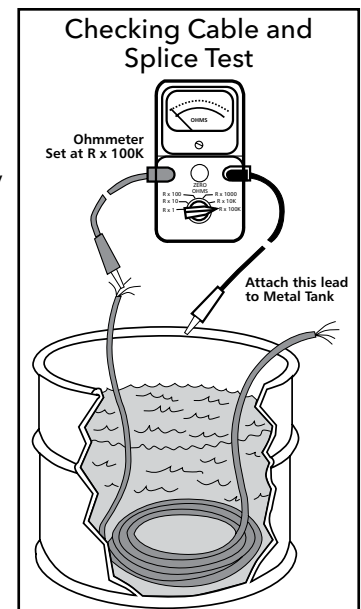
RULE OF THUMB

Add resistance of drop cable when checking pump in well. See Table 2 above.

CABLE CHECKOUT

Checking Cable and Splice

1. Submerge cable and splice in steel barrel of water with both ends out of water.
2. Set ohmmeter selector on RX100K and adjust needle to zero (0) by clipping ohmmeter leads together.
3. After adjusting ohmmeter, clip one ohmmeter lead to barrel and the other to each cable lead individually, as shown.
4. If the needle deflects to zero (0) on any of the cable leads, pull the splice up out of the water. If the needle falls back to (∞) (no reading) the leak is in the splice.
5. If leak is not in the splice, pull the cable out of the water slowly until needle falls back to (∞) (no reading). When the needle falls back, the leak is at that point.
6. If the cable or splice is bad, it should be repaired or replaced.



What It Means -

1. If all ohm values are normal, the motor windings are neither shorted nor open, and the cable colors are correct.
2. If any one ohm value is less than normal, the motor is shorted.
3. If any one ohm value is greater than normal, the winding or the cable is open or there is a poor cable joint or connection.
4. If some ohm values are greater than normal and some less, the leads are mixed.

AMPROBE INSTRUCTIONS



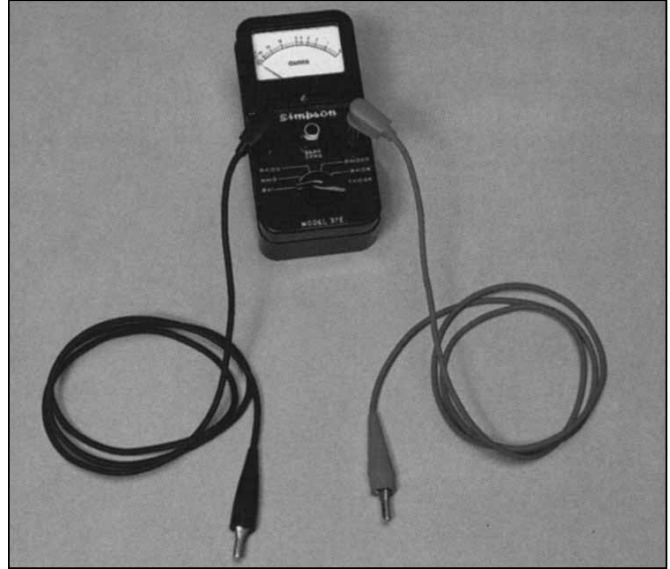
The Amprobe is a multi-range, combination ammeter and voltmeter.

Voltmeter Scales: 150 VOLTS 600 VOLTS

Ammeter Scales: 5 AMPS 40 AMPS
 15 AMPS 100 AMPS

1. When used as an ammeter, the tongs are placed around the wire being measured with the rotary scale on the 100 amp range. Then rotate the scale back to the smaller ranges until an exact reading is indicated.
2. When used as a voltmeter, the two leads are clipped into the bottom of the instrument with the rotary scale on the 600 volt range. If the reading is less than 150 volts, rotate the scale to the 150 volt range to get a more exact reading.

OHMMETER INSTRUCTIONS



The Ohmmeter is used for measuring the electrical resistance of a wire circuit. The unit of measurement is called an Ohm.

1. The knob at the bottom of the Ohmmeter is adjustable through six ranges:

- RX₁** = R x 1
- RX₁₀** = R x 10
- RX₁₀₀** = R x 100
- RX₁₀₀₀** = R x 1,000
- RX_{10K}** = R x 10,000
- RX_{100K}** = R x 100,000

If your ohmmeter is digital readout type, refer to the instructions that came with it.

2. The round center knob is for the purpose of adjusting the instrument to zero (0) after clipping the two ohmmeter leads together. **This must be done every time the range selection is changed.**



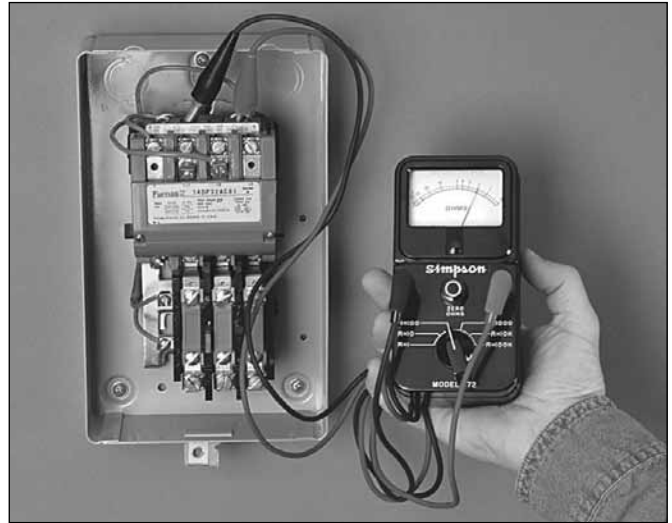
Use Ohmmeter only with POWER OFF.

FUSE CHECKOUT

1. Set R x 1.
2. Connect leads as shown.
3. Reading: Should register zero.

What It Means -

Zero reading indicates fuse OK. Infinity (∞) reading indicates bad fuse.

3 PHASE STARTER COIL CHECKOUT

⚠ WARNING Open master breaker and disconnect all leads from starter to avoid damage to meter or electric shock hazard. Connect the ohmmeter leads as shown above.

Coil with Ohmmeter

1. Set R x 1,000.
2. Connect leads as shown.
3. Reading: Should register some value, Approximately 200-1000 ohms.

What It Means -

Infinity reading indicates coil is open. Zero reading indicates coil is shorted. In either case, the coil should be replaced.

A reading of 200-1000 ohms indicates coil is ok.

3 PHASE STARTER VOLTAGE CHECKOUT

Checking Voltage at Fused Disconnect and Magnetic Starter

⚠ WARNING **POWER IS ON** during voltage checking.

1. To check voltage: Use voltmeter on L1, L2 and L3 in sequence. Check should be made at four locations.

Step 1 Checking incoming power supply.

Step 2 Checking fuses.

Step 3 Checking contact points

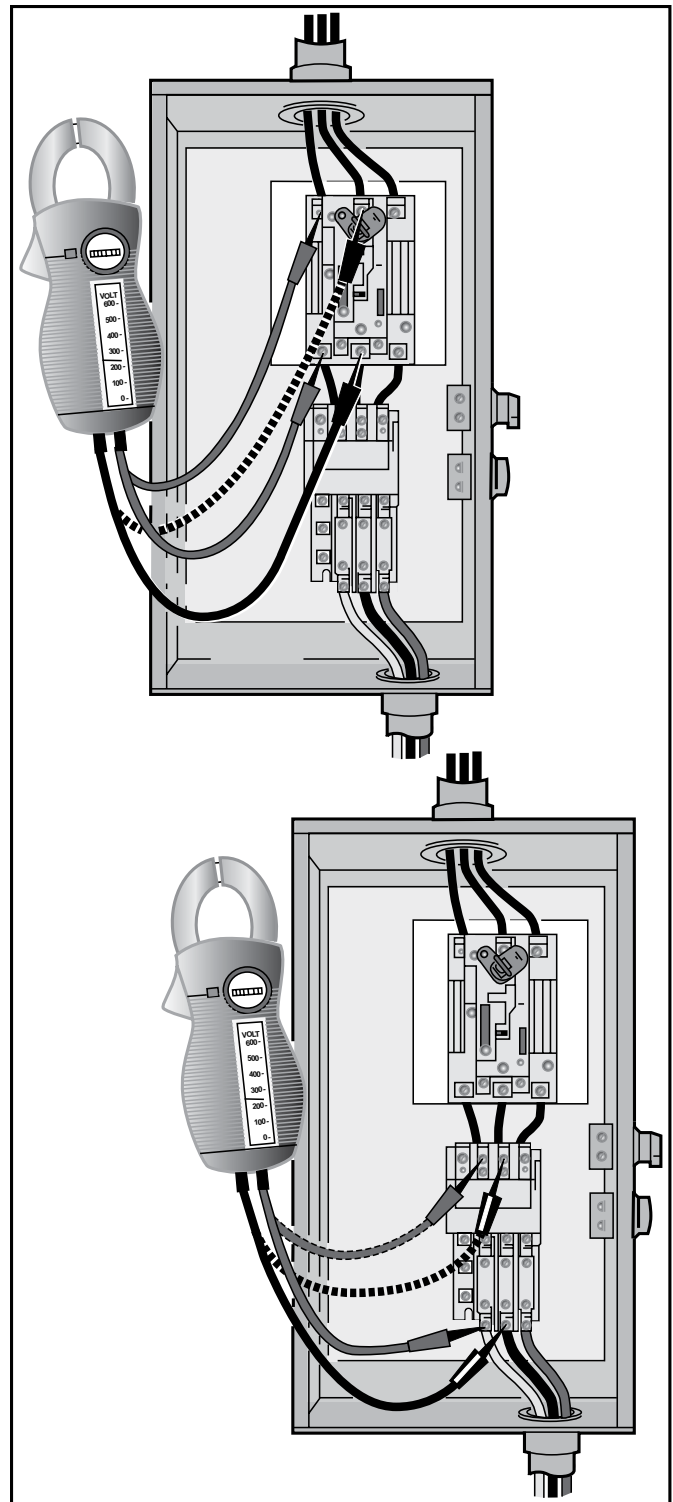
Step 4 Checking heaters.

2. When checking voltage, all other major electrical appliances (that could be in use at the same time) should be running.

3. If incoming power supply readings are not within the limits (see chart), call your power supplier.

Voltage Limits		
Name Plate ▼	Measured Volts	
	Minimum	Maximum
208V 3Ø	188	228
230V 3Ø	207	253
460V 3Ø	414	506
575V 3Ø	518	632

NOTE: Phase to phase - full line voltage. Phase to neutral - ½ full line voltage. (depending on transformer connection)



RULE OF THUMB

Incoming power should be within 5% of power supply voltage. Motors are rated $\pm 10\%$ of nameplate. The other 5% is used for cable voltage drop.

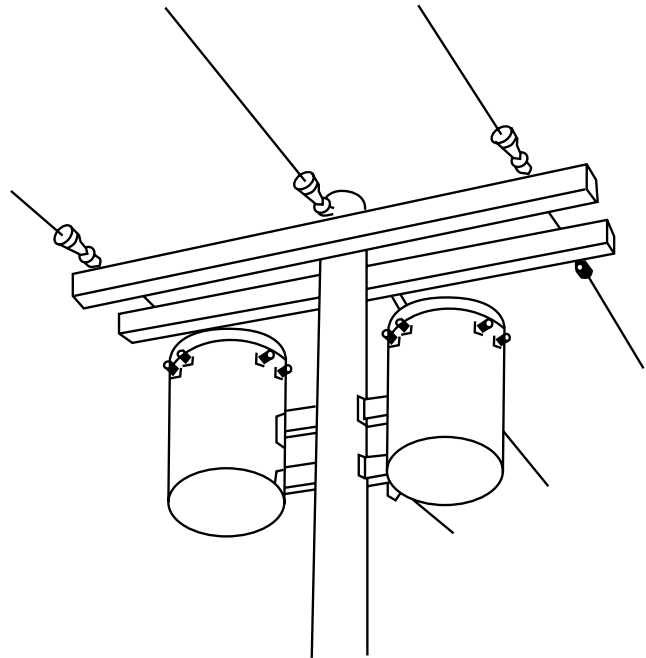
TRANSFORMER SIZES

A full three phase supply is recommended for all three phase motors, consisting of three individual transformers or one three phase transformer. "Open" delta or wye connections using only two transformers can be used, but are more likely to cause problems from current unbalance.

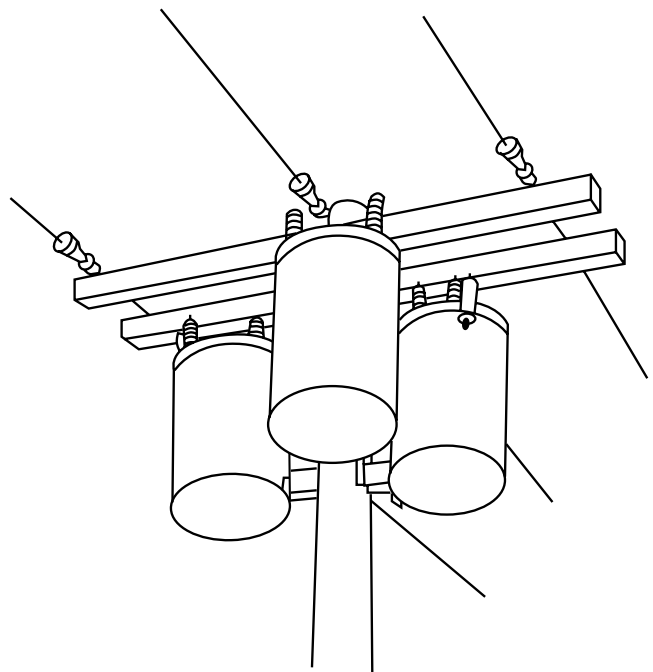
Transformer ratings should be no smaller than listed in the table for supply power to the motor alone.

TRANSFORMER CAPACITY REQUIRED FOR SUBMERSIBLE MOTORS

Submersible 3Ø Motor HP Rating	Total Effective KVA Required	Smallest KVA Rating - Each Transformer	
		Open WYE DELTA 2 Transformers	WYE or DELTA 3 Transformers
1½	3	2	1
2	4	2	1½
3	5	3	2
5	7½	5	3
7½	10	7½	5
10	15	10	5
15	20	15	7½
20	25	15	10
25	30	20	10
30	40	25	15
40	50	30	20
50	60	35	20
60	75	40	25
75	90	50	30
100	120	65	40



OPEN DELTA OR WYE



FULL THREE PHASE

THREE PHASE POWER UNBALANCE

A full three phase supply is recommended for all three phase motors, consisting of three individual transformers or one three phase transformer. So-called "open" delta or wye connections using only two transformers can be used, but are more likely to cause problems, such as poor performance overload tripping or early motor failure due to current unbalance. Transformer ratings should be no smaller than listed on Transformer Size Chart on previous page.

Checking and correcting rotation and current unbalance

- Establish correct motor rotation by running in both directions. Change rotation by exchanging any two of the three motor leads. The rotation that gives the most water flow is always the correct rotation.
- After correct rotation has been established, check the current in each of the three motor leads and calculate the current unbalance as explained in 3 below. If the current unbalance is 2% or less, leave the leads as connected. If the current unbalance is more than 2%, current readings should be checked on each leg using each of the three possible hook-ups. Roll the motor leads across the starter in the same direction to prevent motor reversal.
- To calculate percent of current unbalance:
 - Add the three line amp values together.
 - Divide the sum by three, yielding average current.
 - Pick the amp value which is furthest from the average current (either high or low).
 - Determine the difference between this amp value (furthest from average) and the average.
 - Divide the difference by the average. Multiply the result by 100 to determine percent of unbalance.
- Current unbalance should not exceed 5% at service factor load or 10% at rated input load. If the unbalance cannot be corrected by rolling leads, the source of the unbalance must be located and corrected. If, on the three possible hookups, the leg farthest from the average stays on the same power lead, most of the unbalance is coming from the power source. However, if the reading farthest from average moves with the same motor lead, the primary source of unbalance is on the "motor side" of the starter. In this instance, consider a damaged cable, leaking splice, poor connection, or faulty motor winding.

Phase designation of leads for CCW rotation viewing shaft end.

To reverse rotation, interchange any two leads.

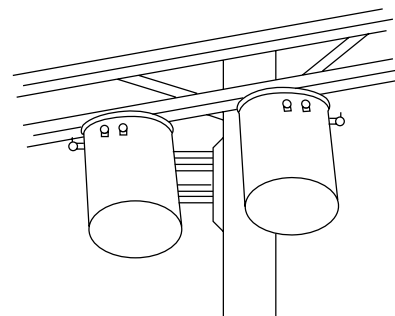
- Phase 1 or "A" - Black Motor Lead or T1
- Phase 2 or "B" - Yellow Motor Lead or T2
- Phase 3 or "C" - Red Motor Lead or T3

Notice: Phase 1, 2 and 3 may not be L1, L2 and L3.

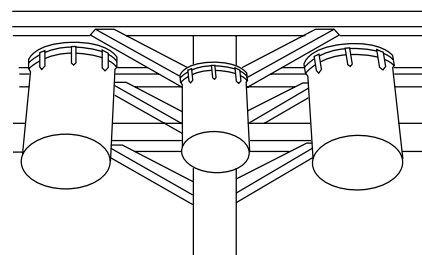
Starter Terminals	Hookup 1			Hookup 2			Hookup 3		
	L1	L2	L3	L1	L2	L3	L1	L2	L3
	⊥	⊥	⊥	⊥	⊥	⊥	⊥	⊥	⊥
	T1	T2	T3	T1	T2	T3	T1	T2	T3
Motor Leads	R	B	Y	Y	R	B	B	Y	R
	T3	T1	T2	T2	T3	T1	T1	T2	T3

Example:

T3-R = 51 amps	T2-Y = 50 amps	T1-B = 50 amps
T1-B = 46 amps	T3-R = 48 amps	T2-Y = 49 amps
T2-Y = 53 amps	T1-B = 52 amps	T3-R = 51 amps
Total = 150 amps	Total = 150 amps	Total = 150 amps
÷ 3 = 50 amps	÷ 3 = 50 amps	÷ 3 = 50 amps
- 46 = 4 amps	- 48 = 2 amps	- 49 = 1 amps
4 ÷ 50 = .08 or 8%	2 ÷ 50 = .04 or 4%	1 ÷ 50 = .02 or 2%



OPEN DELTA OR WYE



FULL THREE PHASE

GENERATOR SIZING

Note: Always consult the generator manufacturer whenever questions arise.

These sizing charts are recommendations based on motor service factor loading for typical continuous duty generators. If you need to call the generator manufacturer, be prepared to tell them the motor KVA code, the service factor amperage, locked rotor amperage, phase, hertz, motor type, etc. This information can all be found in this manual.

Please note that the 2-wire chart is only for PSC (permanent split capacitor) type, 2-wire motors and should not be used for split-phase, 2-wire motors. If using split-phase, 2-wire motors the generator should be 50% larger than that listed for a 3-wire motor.

You must know which type generator you have before using the charts as the required generator size varies

by type. Internally regulated generators are also called self-excited. Externally regulated generators are the most common. In addition to the Kw/KVA rating, the generator frequency (Hertz, typically 60 HZ in USA) is very important when operating pumping equipment because frequency variations affect pump output in direct relation to the pump Affinity Laws. Operating under 60 hertz will reduce flow and head while operating over 60 hertz will increase flow, head, HP and amp draw and could overload the motor.

The generator should always be started before the pump/motor is started and always stop the pump/motor before shutting down the generator. Operating generators at higher elevations or using natural gas a fuel can affect performance, consult the generator manufacturer for their recommendations in these instances.

GENERATOR RECOMMENDATIONS

Motor	HP	Externally Regulated		Internally Regulated	
		KW	KVA	KW	KVA
Minimum Generator Rating					
PSC Type 2-Wire 1Ø	.5	2.5	3.1	1.75	2.2
	.75	3.5	4.4	2.5	3.1
	1	5	6.3	3.2	4
	1.5	6	7.5	4	5
3-Wire 1Ø and 3Ø Motors	.5	2	2.5	1.5	1.9
	.75	3	3.8	2	2.5
	1	4	5	2.5	3.2
	1.5	5	6.3	3	3.8
	2	7.5	9.4	4	5
	3	10	12.5	5	6.3
	5	15	18.8	7.5	9.4
	7.5	20	25	10	12.5
	10	30	37.5	15	18.8
	15	40	50	20	25
	20	60	75	25	31
	25	75	94	30	37.5
	30	100	125	40	50
	40	100	125	50	62.5
	50	150	188	60	75
	60	175	220	75	94
	75	250	313	100	125
	100	300	375	150	188
125	375	469	175	219	
150	450	563	200	250	
175	525	656	250	313	
200	600	750	275	344	

HEAD AND PRESSURE EQUIVALENTS

1. Feet Head of Water and Equivalent Pressures
To change head in feet to pressure in pounds, multiply by .434

Feet Head	PSI	Feet Head	PSI	Feet Head	PSI	Feet Head	PSI
1	.43	30	12.99	140	60.63	300	129.93
2	.87	40	17.32	150	64.96	325	140.75
3	1.30	50	21.65	160	69.29	350	151.58
4	1.73	60	25.99	170	73.63	400	173.24
5	2.17	70	30.32	180	77.96	500	216.55
6	2.60	80	34.65	190	82.29	600	259.85
7	3.03	90	38.98	200	86.62	700	303.16
8	3.46	100	43.31	225	97.45	800	346.47
9	3.90	110	47.64	250	108.27	900	389.78
10	4.33	120	51.97	275	119.10	1000	433.09
20	8.66	130	56.30	-	-	-	-

2. Pressure and Equivalent Feet Head of Water
To change pounds pressure to feet head, multiply by 2.3

PSI	Feet Head	PSI	Feet Head	PSI	Feet Head	PSI	Feet Head
1	2.31	20	46.18	120	277.07	225	519.51
2	4.62	25	57.72	125	288.62	250	577.24
3	6.93	30	69.27	130	300.16	275	643.03
4	9.24	40	92.36	140	323.25	300	692.69
5	11.54	50	115.45	150	346.34	325	750.41
6	13.85	60	138.54	160	369.43	350	808.13
7	16.16	70	161.63	170	392.52	375	865.89
8	18.47	80	184.72	180	415.61	400	922.58
9	20.78	90	207.81	190	438.90	500	1154.48
10	23.09	100	230.90	200	461.78	1000	2309.00
15	34.63	110	253.98	-	-	-	-

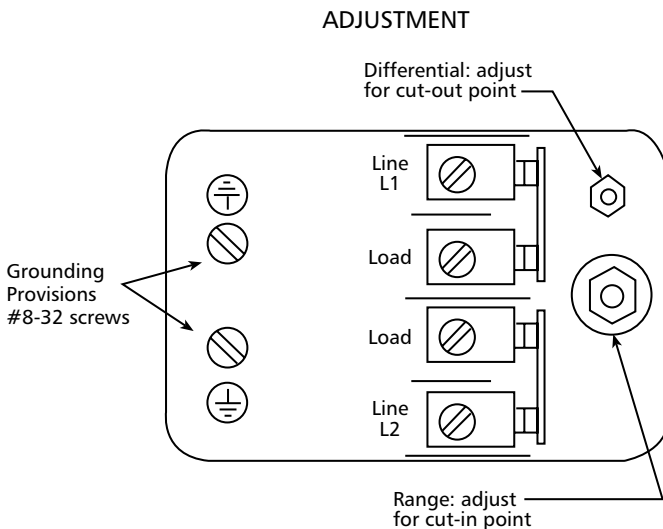
APPROXIMATE COST OF OPERATING ELECTRIC MOTORS

Motor HP	*Average kilowatts input or cost based on 1 cent per kilowatt hour		Motor HP	*Av. kw input or cost per hour based on 1 cent per kw hour
	1 Phase	3 Phase		3 Phase
1/3	.408		20	16.9
1/2	.535	.520	25	20.8
3/4	.760	.768	30	26.0
1	1.00	.960	40	33.2
1 1/2	1.50	1.41	50	41.3
2	2.00	1.82	60	49.5
3	2.95	2.70	75	61.5
5	4.65	4.50	100	81.5
7 1/2	6.90	6.75	125	102
10	9.30	9.00	150	122
			200	162

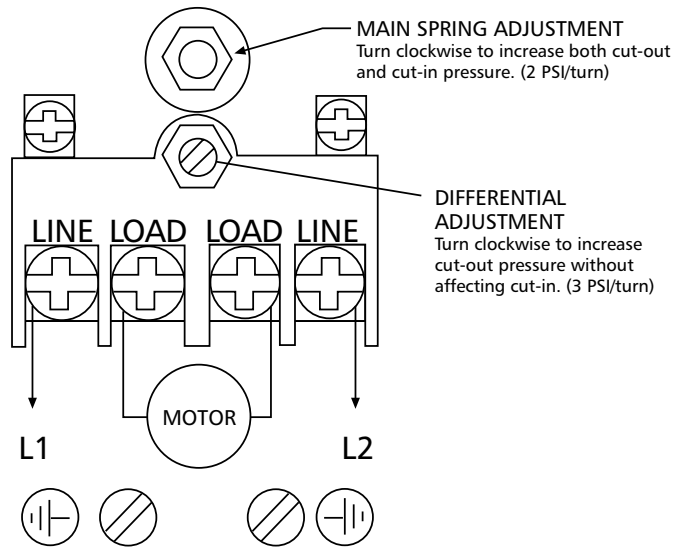
CENTRIPRO OR SQUARE "D" SWITCHES

Adjust in proper sequence:

1. CUT-IN: Turn nut down for higher cut-in pressure, or up for lower cut-in.
2. CUT-OUT: Turn nut down for higher cut-out pressure, or up for lower cut-out.



FURNAS PRO CONTROL



BASIC FORMULAS AND SYMBOLS

Formulas

$$\text{GPM} = \frac{\text{Lb./Hr.}}{500 \times \text{Sp. Gr.}}$$

$$H = \frac{2.31 \times \text{psi}}{\text{Sp. Gr.}}$$

$$H = \frac{1.134 \times \text{In. Hg.}}{\text{Sp. Gr.}}$$

$$H_v = \frac{V^2}{2g} = 0.155 V^2$$

$$V = \frac{\text{GPM} \times 0.321}{A} = \frac{\text{GPM} \times 0.409}{(\text{I.D.})^2}$$

$$\text{BHP} = \frac{\text{GPM} \times H \times \text{Sp. Gr.}}{3960 \times \text{Eff.}}$$

$$\text{Eff.} = \frac{\text{GPM} \times H \times \text{Sp. Gr.}}{3960 \times \text{BHP}}$$

$$N_s = \frac{N/\text{GPM}}{H^{3/4}}$$

$$H = \frac{V^2}{2g}$$

Symbols

GPM = gallons per minute

Lb. = pounds

Hr. = hour

Sp. Gr. = specific gravity

H = head in feet

psi = pounds per square inch

In. Hg. = inches of mercury

h_v = velocity head in feet

V = velocity in feet per second

g = 32.16 ft./sec.² (acceleration of gravity)

A = area in square inches (πr^2) (for a circle or pipe)

ID = inside diameter in inches

BHP = brake horsepower

Eff. = pump efficiency expressed as a decimal

N_s = specific speed

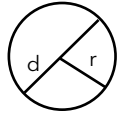
N = speed in revolutions per minute

D = impeller in inches

TERMS AND USABLE FORMULAS

BASIC FORMULAS AND SYMBOLS

Temperature conversion
 DEG. C = (DEG. F - 32) x .555
 DEG. F = (DEG. C x 1.8) + 32



CIRCLE

Area of a Circle

A = area; C = circumference. D = diameter
 A = πr^2 ; $\pi = 3.14$ r = radius
 C = $2\pi r$

Water Horsepower = $\frac{\text{GPM} \times 8.33 \times \text{Head}}{33000} = \frac{\text{GPM} \times \text{Head}}{3960}$	Where: GPM = Gallons per Minute 8.33 = Pounds of water per gallon 33000 = Ft. Lbs. per minute in one horsepower Head = Difference in energy head in feet (field head).
Laboratory BHP = $\frac{\text{Head} \times \text{GPM} \times \text{Sp. Gr.}}{3960 \times \text{Eff.}}$ Field BHP = Laboratory BHP + Shaft Loss Total BHP = Field BHP + Thrust Bearing Loss	Where: GPM = Gallons per Minute Head = Lab. Head (including column loss) Eff. = Lab. Eff. of Pump Bowls Shaft Loss = HP loss due to mechanical friction of lineshaft bearings Thrust Bearing Loss = HP Loss in driver thrust bearings (See (1) below under Misc.)
Input Horsepower = $\frac{\text{Total BHP}}{\text{Motor Eff.}}$	Motor Eff. from Motor mfg. (as a decimal)
Field Efficiency = $\frac{\text{Water Horsepower}}{\text{Total BHP}}$	Water HP as determined above Total BHP as determined above
Overall Plant Efficiency = $\frac{\text{Water Horsepower}}{\text{Input Horsepower}}$	(See (2) below under Misc.) Water HP as determined above Input HP as determined above
Electrical	Input Horsepower = $\frac{\text{BHP}}{\text{Mot. Eff.}} = \frac{4.826 \times K \times M \times R}{T} = \frac{1.732 \times E \times I \times \text{PF}}{746}$ BHP = Brake Horsepower as determined above Mot. Eff. = Rated Motor Efficiency K = Power Company Meter Constant M = Power Company Meter Multiplier, or Ratio of Current and Potential Transformers connected with meter R = Revolutions of meter disk T = Time in Sec. for R E = Voltage per Leg applied to motor I = Amperes per Leg applied to motor PF = Power factor of motor 1.732 = Factor for 3-phase motors. This reduces to 1 for single phase motors
	Kilowatt input to Motor = $.746 \times \text{I.H.P.} = \frac{1.732 \times E \times I \times \text{PF}}{1000}$ KW-Hrs. Per 1000 Gallons of Cold Water Pumped Per Hour = $\frac{\text{HD in ft.} \times 0.00315}{\text{Pump Eff.} \times \text{Mot. Eff.}}$
Miscellaneous	(1) Thrust Bearing Loss = .0075 HP per 100 RPM per 1000 lbs. thrust.* (2) Overall Plant Efficiency sometimes referred to as "Wire to Water" Efficiency *Thrust (in lbs.) = (thrust constant (k) laboratory head) + (setting in feet x shaft wt. per ft.) Note: Obtain thrust constant from curve sheets Discharge Head (in feet of fluid pumped) = $\frac{\text{Discharge Pressure (psi)} \times 2.31}{\text{Sp. Gr. of Fluid Pumped}}$

HYDROPRO AND CENTRIPRO TANK SELECTION

TABLE 1 - TANK MODELS - See your Full Line Catalog Tank Bulletins for a listing of all available models.

Model No.	Total Volume (Gals.)	① Drawdown in Gals. at System Operating Pressure Range of			Maximum Drawdown Volume (Gallons)
		18/40 PSIG	28/50 PSIG	38/60 PSIG	
V6P	2.0	0.8	0.7	0.6	1.2
V15P	4.5	1.8	1.5	1.3	2.7
V25P	8.2	3.3	2.8	2.4	4.5
V45P	13.9	5.6	4.7	4.1	8.4
V45B	13.9	5.6	4.7	4.1	8.4
V45	13.9	5.6	4.7	4.1	8.4
V60B	19.9	8.0	6.8	5.8	12.1
V60	19.9	8.0	6.8	5.8	12.1
V80	25.9	10.4	8.8	7.6	13.9
V80EX	25.9	10.4	8.8	7.6	13.9
V100	31.8	12.8	10.8	9.4	13.8
V100S	31.8	12.8	10.8	9.4	13.8
V140B	45.2	18.2	15.4	13.3	27.3
V140	45.2	18.2	15.4	13.3	27.3
V200B	65.1	26.2	22.1	19.2	39.3
V200	65.1	26.2	22.1	19.2	39.3
V250	83.5	33.6	28.4	25.6	50.8
V260	84.9	34.1	28.9	25.0	44.7
V350	115.9	46.6	39.4	34.1	70.5

Tank Drawdown Pressure Factors Using an "Extra" 2 PSI of Drawdown

Pressure Differential	Factor with extra 2 psi*
18 - 40	.402
28 - 50	.340
38 - 60	.295
48 - 70	.260

To Calculate drawdown capacity multiply: Factor x Tank Volume.

① Drawdown based on a 22 psi differential and Boyle's Law. Temperature, elevation and pressure can all affect drawdown volume.

TABLE 2 - PRESSURE FACTORS

Pump Cut-Out Pressure - PSIG	Pump Cut-In Pressure - PSIG																				
	20	25	30	35	40	45	50	55	60	65	70	75	80	85	90	95	100	105	110	115	
30	.22																				
35	.30	.20																			
40	.37	.27	.18																		
45	.42	.34	.25	.17																	
50	.46	.39	.31	.23	.15																
55	.50	.43	.36	.29	.22	.14															
60	.54	.47	.40	.33	.27	.20	.13														
65		.50	.44	.38	.31	.25	.19	.13													
70		.53	.47	.41	.35	.30	.24	.18	.12												
75			.50	.45	.39	.33	.28	.22	.17	.11											
80			.53	.48	.42	.37	.32	.26	.21	.16	.11										
85				.50	.45	.40	.35	.30	.25	.20	.15	.10									
90				.53	.48	.43	.38	.33	.29	.24	.19	.14	.10								
95					.50	.46	.41	.36	.32	.27	.23	.18	.14	.09							
100					.52	.48	.44	.39	.35	.31	.26	.22	.17	.13	.09						
105						.50	.46	.42	.38	.33	.29	.25	.21	.17	.13	.08					
110						.52	.46	.44	.40	.36	.32	.28	.24	.20	.16	.12					
115							.50	.46	.42	.39	.35	.31	.27	.23	.19	.15	.12	.06			
120								.52	.48	.45	.41	.37	.33	.30	.26	.22	.19	.15	.11		
125									.50	.47	.43	.39	.36	.32	.29	.25	.21	.16	.14	.11	.07

To determine tank drawdown of operating pressure ranges other than those listed in table, use following procedure:

Multiply total tank volume (table 1) by pressure factor (table 4).

Example: Operating range: 35/55

Tank being used: V-200

65.1 = Total volume of tank (table 1)

x .29 = Pressure factor (table 4)

18.9 = Drawdown in gallons at 35/55 PSI operating range.

JET PUMP MOTOR DATA AND ELECTRICAL COMPONENTS

A.O. SMITH MOTOR DATA

GP Number	Where Used	A.O. Smith	HP	Volts	Phase	Service Factor	Max. Load Amps	Watts	Circuit Breaker
J04853	J05, HB705	C48J2DB11C3HF	½	115/230	1	1.6	10.8/5.4	880	25/15
J05853	JL07N, HSJ07, XSH07, HB	C48K2DB11A4HH	¾	115/230	1	1.5	14.8/7.4	1280	30/15
J06853	JL10N, HSJ10, SJ10, XSH10, HB	C48L2DB11A4HH	1	115/230	1	1.4	16.2/8.1	1440	30/20
J07858	HSJ15, SJ15, HB, XSH15	C48M2DB11A1HH	1½	115/230	1	1.3	20.0/10.0	1866	40/20
J08854	HSJ20, HSC20, XSH20	K48N2DB11A2HH	2	115/230	1	1.2	22.6/11.3	2100	25/15
② J09853	XSH30, GT30	C56P2U11A3HH	3	230	1	1.15	17.2	3280	30
② J04853L	J5(S), GB	C48A93A06	½	115/230	1	1.6	10.8/5.4	968	25/15
② J05853L	J7(S), GB, GT07, (H)SJ07, HSC07	C48A94A06	¾	115/230	1	1.5	14.8/7.4	1336	30/15
② J06853L	J10(S), GB, GT10, (H)SJ10, HSC10	C48A95A06	1	115/230	1	1.4	16.2/8.1	1592	30/20
② J07858L	J15(S), GB, GT15, HSJ15, HSC15	C48M2DC11A1	1½	115/230	1	1.3	21.4/10.7	1950	40/20
①② J08854L	HSJ20, GB, GT20, HSC20	K48A34A06	2	230	1	1.2	12.9	2100	25
SFJ04853	JB05	S48A90A06	½	115/230	1	1.6	9.4/4.7	900	20/10
SFJ05853	JB07	C48A77A06	¾	115/230	1	1.5	13.6/6.8	1160	25/15
SFJ06853	JB10	C48A78A06	1	115/230	1	1.4	15.8/7.9	1400	30/20
② SFJ04860	JRS5, JRD5, JB05	C48C04A06	½	115/230	1	1.6	12.6/6.3	990	25/15
② SFJ05860	JRS7, JRD7, JB07	C48C05A06	¾	115/230	1	1.5	14.8/7.4	1200	30/15
② SFJ06860	JRS10, JRD10, JB10	C48C06A06	1	115/230	1	1.4	16.2/8.1	1400	30/20

① Effective July, 1998, 230 V only. ② Current production motor

ELECTRICAL COMPONENTS

GP Motor Model	A.O. Smith Motor Model	Motor Overload with Leads			Run Capacitor and MFD	Start Capacitor MFD Rating	Switch ^⑤
		④ Old Number	③ New Number	T.I. Number			
J04853	C48J2DB11C3HF	614246 71		MET38ABN		610807 1: 124/148	629002 2
J05853	C48K2DB11A4HH	614246 20		CET63ABN		610807 2: 161/192	629002 2
J06853	C48L2DB11A4HH	614246 9		CET52ABN		610807 2: 161/192	629002 2
J07858	C48M2DB11A1HH	614246 79		CET38ABM		610807 2: 161/192	629002 2
J08854	K48N2DB11A2HH	611307 29		BRT44ABM	614529 4: 25	610807 1: 124/148	629002 2
J09853	-- 196427-20	611106 22	611106 36	BRB2938	628318 314: 55	610807 11; 36-43	629002 2
J04853L	C48A93A06	614246 98	627121 43	MET39ABN-CL		610807 1: 124/148	629002 2
J05853L	C48A94A06	614246 20	627121 38	CET63ABN		610807 2: 161/192	629002 2
J06853L	C48A95A06	614246 9	627121 7	CET52ABN		610807 2: 161/192	629002 2
J07858L	C48C53A06		611123 21	BRT45ABM		610807 7: 189/227	629002 2
J08854L	K48A34A06	616861 10	627119 10	CET31ABN	623450 8: 30	610807 33: 64-77	629002 2
SFJ04853	S48A90A06	621863 1		MEJ38ABN		N/A	3945C91A01
SFJ05853	C48A77A06	621863 4		CET55ABN		610807 2: 161/192	3945C91A01
SFJ06853	C48A78A06	621863 5		CET49ABN		610807 2: 161/192	3945C91A01
SFJ04860	C48C04A06	614246 67	627121 48	MET36ABN		610807 2: 161/192	629002 2
SFJ05860	C48C05A06	614246 20	627121 38	CET63ABN		610807 2: 161/192	629002 2
SFJ06860	C48C06A06	614246 9	627121 7	CET52ABN		610807 2: 161/192	629002 2

③ These new overload part numbers are for use with the new plastic terminal board with the quick change voltage plug.

④ Use this suffix if your motor has the old style brown terminal board without quick change voltage plug.

⑤ 629002 2 replaces 614234 1, 2, and 6.

JET PUMP MOTOR WIRING A.O. SMITH MOTORS

TERMINAL BOARD AND VOLTAGE CHANGE PLUG

A change has been made to use a new terminal board on the A.O. Smith two compartment motor models. This terminal board is used on both dual voltage and single voltage motors.

FEATURES

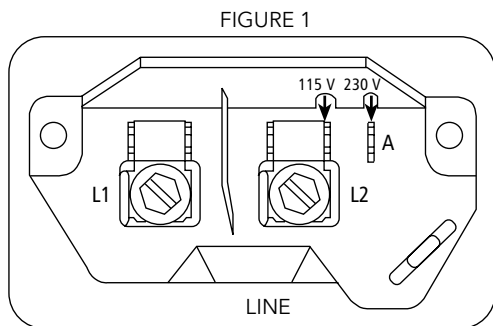
- Voltage Plug: Dual voltage motors use a voltage plug that retains the terminals for the Black and Black Tracer leads. To change voltage, lift the black plug and align the arrow with the desired voltage on terminal board. See Figure 1 for an example of the dual voltage connection diagram.

- Screws with ¼" drive: The terminal screw accepts either a ¼" nut driver or a slotted screw driver.
- Line Wire Connection: The space under the screw will accept #16, #14, #12, #10, or #8 wire. The rib at the bottom edge of the screw allows the wire to be placed straight into the space under the screw. This rib retains the wire under the head of the screw and for #12, #10, or #8 wire it is not necessary to wrap the wire around the screw.
- ½ HP wired 115 V, ¾ HP and up wired 230 V at factory.
- Quick Connect Terminals: Each terminal has provision for ¼" quick connect terminals in addition to the screw.
- Molded Plastic Material: The terminal board is made from an extremely tough white plastic material with L1, L2, and A markings molded into the board.
- Lead Channel: A channel adjacent to the conduit hole directs wiring to the top of the board.
- Governor Guard: An integral backplate prevents leads from entering the area around the governor.
- Ground Guard: To prevent the bare ground wire from touching the "live" L2 terminal, the ground wire must be placed above this guard.

VOLTAGE CHANGES ARE MADE INSIDE THE MOTOR COVER NOT IN THE PRESSURE SWITCH.

WARNING:
DISCONNECT POWER SOURCE BEFORE CHECKING. DO NOT MAKE ANY CHANGES WITH POWER ON.

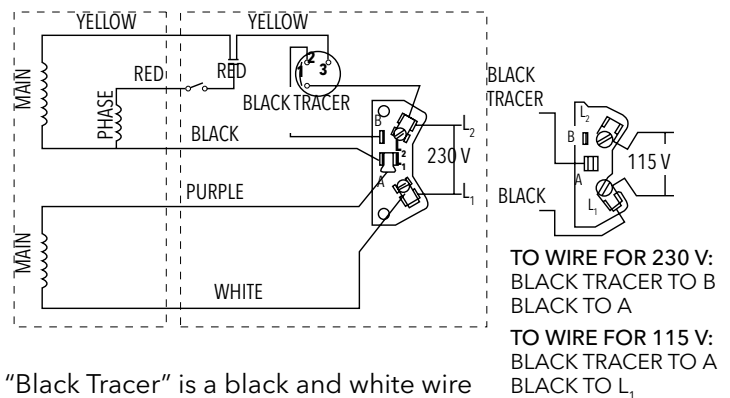
CAPACITOR START INDUCTION RUN - SINGLE SPEED (NEW STYLE - AFTER APRIL, 1999)



⊖ GRD ● Green (Ground)

Align black plug to 115 V or 230 V arrow.
 ½ HP wired 115 V, ¾ HP and up wired 230 V at factory.

CAPACITOR START INDUCTION RUN - SINGLE SPEED (OLD STYLE - UP TO APRIL, 1999)



"Black Tracer" is a black and white wire

FRICITION LOSS

SCH 40 - PLASTIC PIPE: FRICTION LOSS (IN FEET OF HEAD) PER 100 FT.

GPM	GPH	3/8"	1/2"	3/4"	1"	1 1/4"	1 1/2"	2"	2 1/2"	3"	4"	6"	8"	10"
		ft.	ft.	ft.	ft.	ft.	ft.	ft.	ft.	ft.	ft.	ft.	ft.	ft.
1	60	4.25	1.38	.356	.11									
2	120	15.13	4.83	1.21	.38	.10								
3	180	31.97	9.96	2.51	.77	.21	.10							
4	240	54.97	17.07	4.21	1.30	.35	.16							
5	300	84.41	25.76	6.33	1.92	.51	.24							
6	360		36.34	8.83	2.69	.71	.33	.10						
8	480		63.71	15.18	4.58	1.19	.55	.17						
10	600		97.52	25.98	6.88	1.78	.83	.25	.11					
15	900			49.68	14.63	3.75	1.74	.52	.22					
20	1,200			86.94	25.07	6.39	2.94	.86	.36	.13				
25	1,500				38.41	9.71	4.44	1.29	.54	.19				
30	1,800					13.62	6.26	1.81	.75	.26				
35	2,100					18.17	8.37	2.42	1.00	.35	.09			
40	2,400					23.55	10.70	3.11	1.28	.44	.12			
45	2,700					29.44	13.46	3.84	1.54	.55	.15			
50	3,000						16.45	4.67	1.93	.66	.17			
60	3,600						23.48	6.60	2.71	.93	.25			
70	4,200							8.83	3.66	1.24	.33			
80	4,800							11.43	4.67	1.58	.41			
90	5,400							14.26	5.82	1.98	.52			
100	6,000								7.11	2.42	.63	.08		
125	7,500								10.83	3.80	.95	.13		
150	9,000									5.15	1.33	.18		
175	10,500									6.90	1.78	.23		
200	12,000									8.90	2.27	.30		
250	15,000										3.36	.45	.12	
300	18,000										4.85	.63	.17	
350	21,000										6.53	.84	.22	
400	24,000											1.08	.28	
500	30,000											1.66	.42	.14
550	33,000											1.98	.50	.16
600	36,000											2.35	.59	.19
700	42,000												.79	.26
800	48,000												1.02	.33
900	54,000												1.27	.41
950	57,000													.46
1000	60,000													.50

NOTE: See page 5 for website addresses for pipe manufacturers - there are many types of new plastic pipe available now.

STORAGE OF WATER IN VARIOUS SIZES OF WELLS

$D^2 = \text{Gallons of Storage per Foot}$
24.5

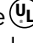
Where: D = Inside diameter of well casing in inches




Examples:


2" Casing = .16 Gals. per ft. Storage	8" Casing = 2.6 Gals. per ft. Storage
3" Casing = .36 Gals. per ft. Storage	10" Casing = 4.07 Gals. per ft. Storage
4" Casing = .652 Gals. per ft. Storage	12" Casing = 5.87 Gals. per ft. Storage
5" Casing = 1.02 Gals. per ft. Storage	14" Casing = 7.99 Gals. per ft. Storage
6" Casing = 1.4 Gals. per ft. Storage	16" Casing = 10.44 Gals. per ft. Storage


UL AND CSA AGENCY LISTING(S)



Our control boxes, motors, complete pump assemblies and electrical accessories are tested by independent product safety and testing organizations to ensure compliance with the US National Electric Code (NEC) and/or Canadian Standards Association (CSA) standards. Underwriters Laboratories Inc. and CSA are the agencies with whom we contract. They have now agreed to eliminate overlapping efforts through an agreement which allows either to test to the other's standards. This is good for manufacturers and consumers as overlapping independent testing is very expensive.

Unfortunately, there is a great deal of misunderstanding associated with the Agency Listings and their marks or logos. By meeting specific safety requirements products can be either UL Listed or UL Recognized. The UL mark in a circle  signifies that a product is UL Listed (approved) for its intended use by Underwriters Laboratories Inc. Radios, televisions, CD players, fans and small appliances are a good example of UL Listed products.

The lesser known and most misinterpreted UL mark is the backwards , signifying a UL Recognized Component. This is used on products that are combined to create a complete assembly. In the Submersible Pump Industry, pumps larger than 2 HP are shipped as separate water ends and motors due to weight and length restrictions of major shippers. Therefore the products cannot carry a  logo, but only the backwards  logo since they are Components of a complete system. According to both UL and CSA, electrical inspectors should consider the assembled products as approved if the motor and water end are matched by HP, i.e. a ½ HP Water End on a ½ HP Motor.

The 4" CentriPro motors are tested by Canadian Standards Association to UL 1004 and 2111 as well as to CSA standards 77 and 100. They carry a  logo. This indicates they are CSA Listed for the USA and Canada, i.e., tested by C.S.A. to U.L. and CSA standards.













CentriPro, single-phase, 4" motor control boxes carry a  listing.

Testing by the Canadian Standards Association is denoted by the CSA logo  or .

Per their recent agreement UL can test products sold in the USA and/or Canada, conversely, CSA can test products sold in Canada and/or the USA.

Residential Water Systems

Logos and their meanings follow:

- UL Listed for USA → 
 - UL Listed for Canada (tested by UL to CSA Standards) → 
 - UL Listed for USA and Canada (tested by UL to UL & CSA Standards) → 
 - UL Recognized Component for USA → 
 - UL Recognized Component for Canada (tested by UL to CSA Standards) → 
 - UL Recognized Component for USA and Canada (tested by UL to UL & CSA Standards) → 
 - CSA approved for Canada → 
 - CSA approved for USA (tested by CSA to UL Standards) → 
 - CSA approved for USA and Canada (tested by CSA to CSA & UL Standards) → 
 - Certified to NSF/ANSI 61, Drinking Water System Components 4P49 → 
 - Drinking Water System Components - Certified to NSF/ANSI 61, Annex G → 
 - NSF/ANSI 372 - Drinking Water System Components - Lead Content → 
- CLASS 6853 01 - Low Lead Content Certification Program - Plumbing Products**
California Health and Safety Code 116875 (known as AB-1953-2006)
Vermont Act No. 193 - 2008 - Consumer Products Prohibition against Lead (known as Bill S.152 "An Act Rlating to Prevention of Lead Poisoning by Exposure to Lead in Consumer Products")
Maryland House Bill 372 [Statue 12-605] - Business Occupations and Professionals - Plumbers - Lead Free Materials

Per the reciprocity agreement between the two agencies, electrical inspectors in both countries should now be honoring either the UL or CSA mark on products approved for their country.

TECHNICAL ASSISTANCE AND TROUBLESHOOTING CUSTOMER SERVICE CONTACT NUMBERS

Four (4") Inch Motors and Controls

Seneca Falls, NY

- Phone: 866-325-4210 – General
- Phone: 866-673-0427 – Technical
- Phone: 866-673-0445 – Controls
- Toll Free Fax: 888-322-5877

Orlando Distribution Center

- Phone: 407-829-7808
- Fax: 407-829-7809

Fresno Distribution Center

- Phone: 559-265-4730
- Fax: 559-265-4740

Southaven, MS (was Memphis) Distribution Center

- Phone: 662-393-5982
- Toll Free Fax: 800-848-9793

Chicago Customer Service

- Phone: 847-983-5926
- Fax: 847-983-1766

Guelph, Ontario, Canada

- Phone: 519-826-0869
- Fax: 519-826-0874

Six (6") Inch and Larger Motors

Lubbock, Texas Turbine Operation

- Phone: 806-763-7867
- Fax: 800-453-4749



Xylem Inc.
2881 East Bayard Street Ext.
Seneca Falls, NY 13148
www.xylem.com/brands/centripro

CentriPro is a trademark of Xylem Inc. or one of its subsidiaries.
© 2012 Xylem Inc. BMAID R2 October 2012