

Phase sequence I° DGPED installation

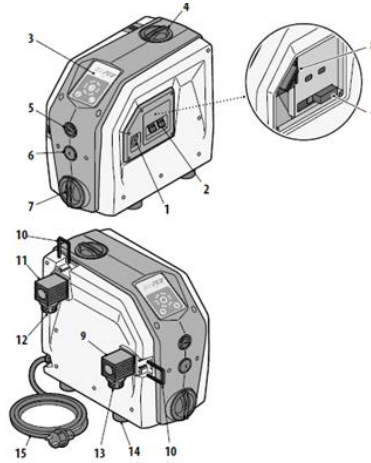
A) INSTALLATION AND HYDRAULIC CONNECTIONS

1) Extract DGPED from the box and Check the list of part

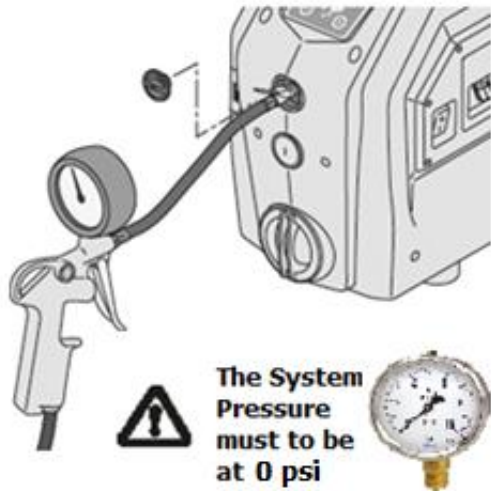


LIST OF PARTS

1. Bipolar general switch I/O
2. Cable hole signals (INPUT/OUTPUT)
3. Control Panel
4. Filling plug
5. Expansion vase plug
6. Vent plug
7. Drain plug
8. Expansion card (OPTIONAL)
9. Fuse 12.5 A (rapid intervention)
10. Connector locking bandwidth
11. Adjustable elbow joint, with OR
12. Discharge outlet
13. Suction port
14. Anti-vibration levelling feet
15. Electricity cable



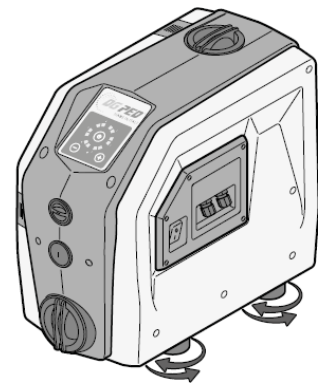
2) Check if the Vassel is inflated at 21.75 psi as per factory default (see paragraph E)



3) Place DGPED in its "operating station"



1 Regulate the levelling feet to correctly level the DG PED.



Issued by

F.Cracco

Verified by

E. Vandin

Distributed to

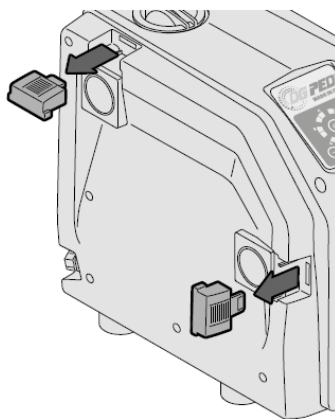
Superior Pump

Oggetto:

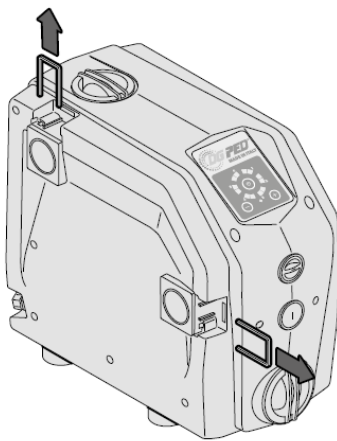
Procedure 1st DPED installation QUICK GUIDE

4) Connect the system pipes **minimum internal diameter of 1"**

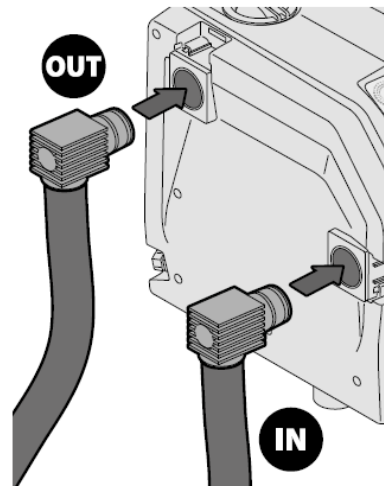
2) Remove the covers of the forks.



3) Remove the forks.



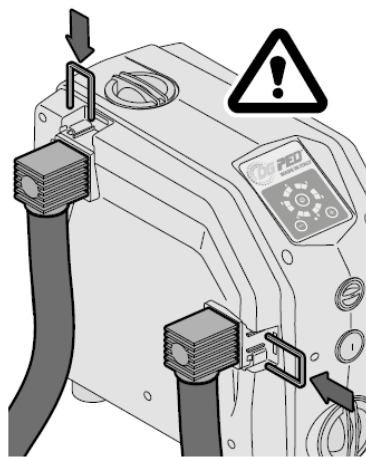
4) Insert the elbow fitting complete with O-RING.



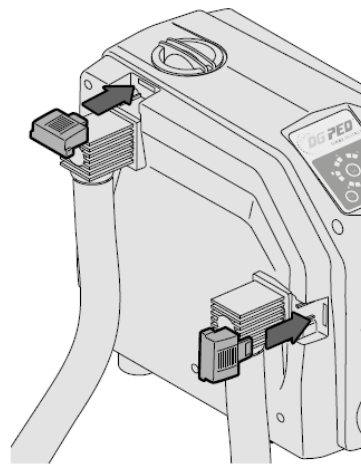
5) Re-insert the forks correctly and then insert the fork covers.

10

5) Correctly insert the forks.



6) Insert the fork covers.



Issued by

F.Cracco

Verified by

E. Vandin

Distributed to

Superior Pump

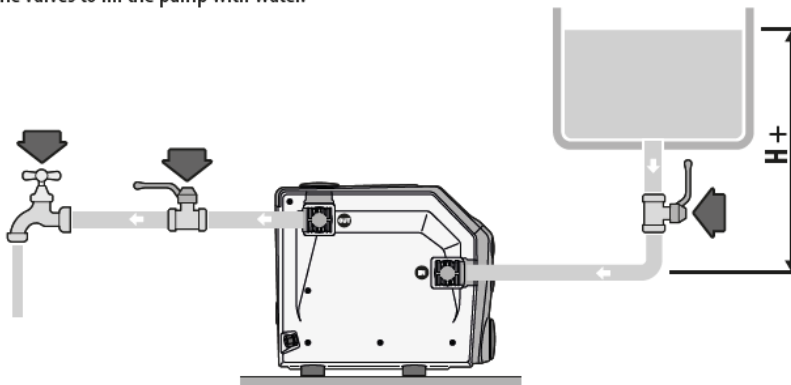
B) FILLING AND IGNITION operation BELOW THE WATER



Never allow the DG PED to run when dry, to avoid damaging the mechanical seal.

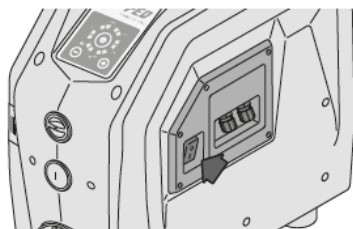
CASE A: functioning WHEN BELOW THE WATER (tank or acqueduct)

- 1 Open all the valves to fill the pump with water.



- 2 Attach the plug to the electricity supply.

- 3 Turn the switch to "I".



- 4 Press the  switch to switch on the DG PED.



Issued by

F.Cracco

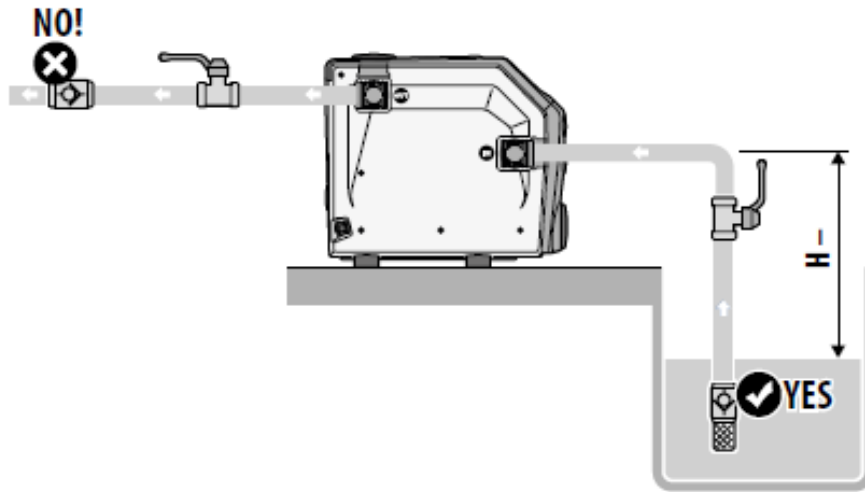
Verified by

E. Vandin

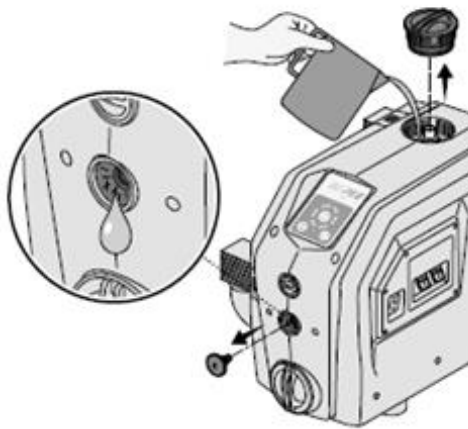
Distributed to

Superior Pump

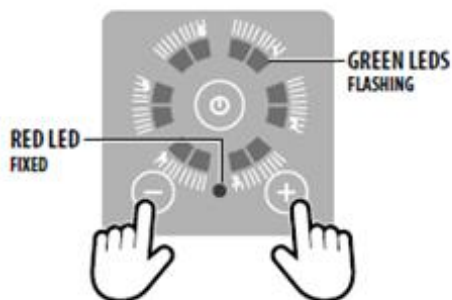
C) FILLING AND IGNITION operation ON ABOVE WATER



- 1 Unscrew and remove the filling plug and the vent plug.
- 2 Pour in about 0.4 gal of water until it pours out of the vent hole.
- 3 Rescrew the filling plug and the vent plug.
- 4 Open the water tap
- 5 Attach the plug to the electricity supply.
- 6 Turn the switch to "I".



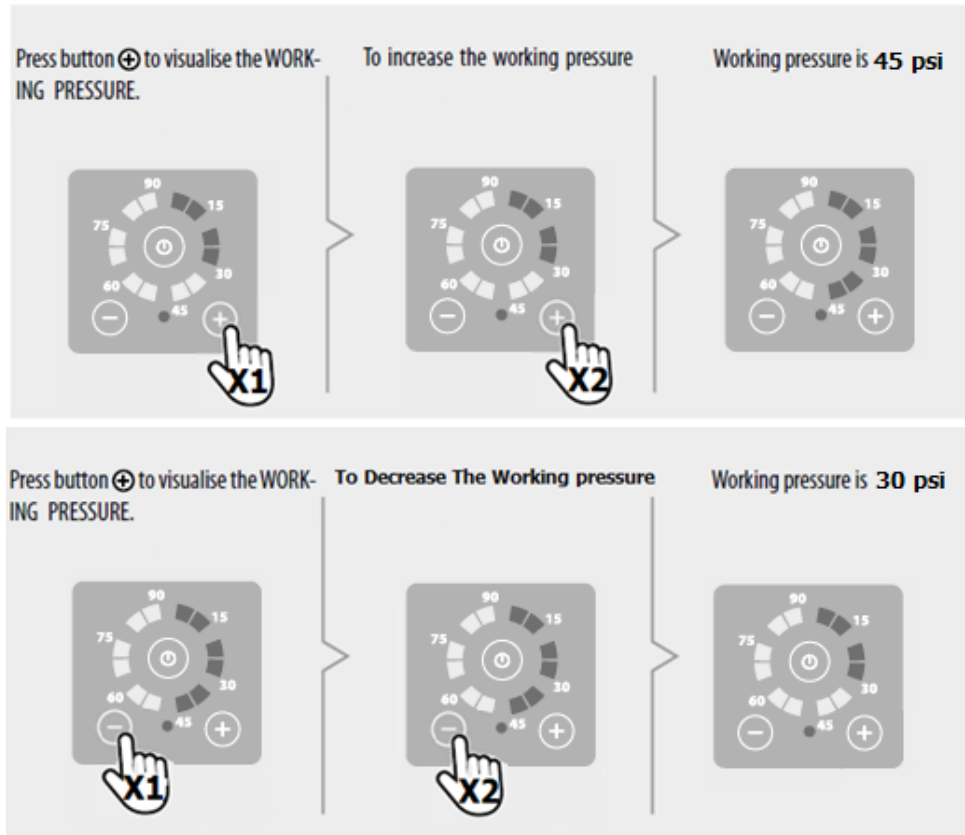
- 7 SIMULTANEOUSLY press buttons ⊕ and ⊖ for 5 seconds.
DG PED enters into a priming mode.



- 8 Press button ⏻ to start priming.



D) THE WORKING PRESSURE REGULATION



E) INFLATION OF THE VESSEL

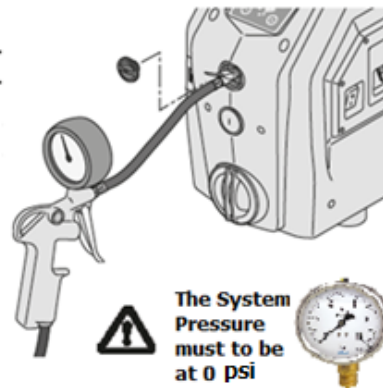
The expansion vase inside the DG PED is preloaded in the factory to 1.5 bar.
The optimum inflation of the expansion vessel guarantees the perfect operation of the system and it protects the membrane from premature breakages.

Inflate the expansion vessel as shown in the table.

To inflate the expansion vase:

- Remove the plug.
- Use a compressor.
- Attach the tube of the compressor to the correct valve.
- Inflate the expansion vase to the chosen pressure.

**Check the inflation pressure of the vessel at least once a year
If necessary, restore it to the expected value.**



Working Pressure	Inflation Pressure
15 psi	7 psi
22 psi	15 psi
30 psi	15 psi
37 psi	22 psi
45 psi	22 psi
52 psi	30 psi
60 psi	37 psi
67 psi	45 psi
75 psi	52 psi
82 psi	60 psi